

Ampatop® RF black (plus)

Low-flammable wind seal for façades with open gaps



- > Fleece consists of 30% recycled PET bottles
- > Withstands UV
- > 10-year product guarantee with a joint width up to 50mm / 40%
- > Monolithic TPU technology
- > Fire behaviour: B-s1, d0

Technical details		Value	Standard
s ₀ value		0,15m	EN ISO 12 572
Resistance to water penetration		W1	EN 1928
Weight		225g/m ²	EN ISO 9073-2
Fire behaviour		B-s1, d0	EN 13 501-1
Tear resistance	longitudinal	370 N/5cm	EN 12 311-2/A
	transverse	370 N/5cm	
Tear elongation	longitudinal	30%	EN 12 311-1
	transverse	30%	
Resistance to further tearing (nail shaft)	longitudinal	180 N	EN 20 811
	transverse	180 N	
Outdoor weathering		3 months (before installation of façade cladding)	
Joint width		50 mm / 40%	
UV stability		> 10 years	
Temperature resistance		-40°C to +80°C	
5000-hour test		passed	

10

Year Guarantee

CE

13859-2 5000-hour-test

ISO 9001

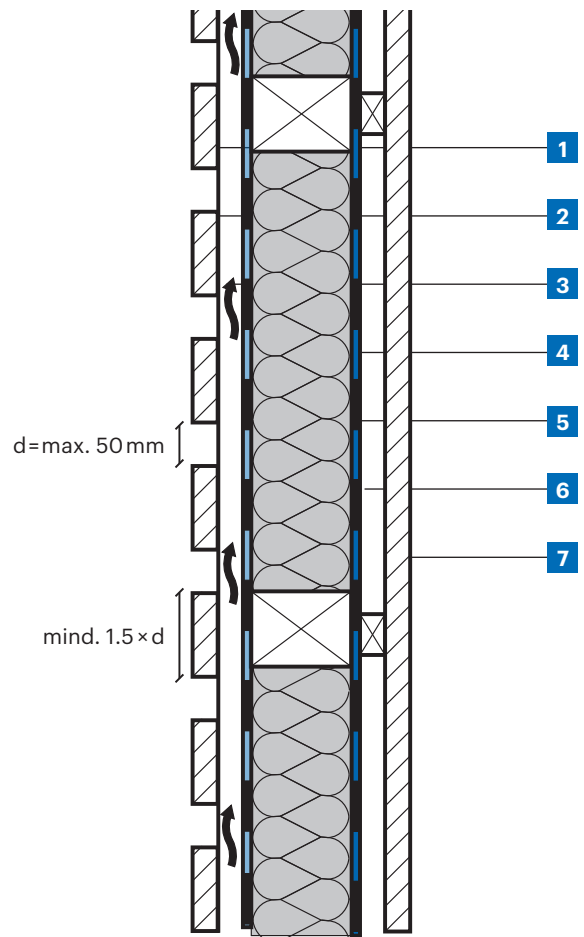
Swiss Research

Delivery forms			
Article number	Description	Roll dimensions	Content of pallets
7640442091216	Ampatop® RF black	1,5m × 50m = 75m ²	28 rolls = 2100m ²
7640442091254	Ampatop® RF black	3,0m × 30m = 90m ²	28 rolls = 2520m ²
7640442091230	Ampatop® RF black plus with integrated tape	1,5m × 50m = 75m ²	28 rolls = 2100m ²

Application example

- | | |
|--|--|
| <ul style="list-style-type: none"> 1 External cladding 2 Ventilation level 3 Ampatop® RF black wind seal 4 Insulation | <ul style="list-style-type: none"> 5 Ampatex® or Sisalex® vapour checks 6 Installation level 7 Internal cladding |
|--|--|

System accessory



Tips for laying

Ampatop® RF black (plus) can be laid horizontally or vertically with the coated black side facing outwards. The laying direction must not be different on each side of the building. Roll out the membrane, line it up, cut it to length, pull it tight and fix it in place, e.g. using stainless steel tacks (this should be invisible inside the overlap, which must be at least 10 cm). Always mount the final mechanical fixation after laying (e.g. counter battens)! **Ampacoll® ND Pads** (nail seals) or **Ampacoll® ND.Band** (nail sealing tape) should be used for this.

The integrated tape, **Ampacoll® Profix** liquid adhesive or **Ampacoll® UV** acylic tape should be used for the wind and waterproof bonding of the overlap. This best-practice method also applies to

necessary penetrations (e.g. for air vents, balcony mounts and cable holes) as well as window joints. Visible leakage of the adhesive must be avoided. **Ampacoll® Profix** is also used to bond **Ampatop® RF black** to metal furring within the insulation layer.

The maximum distance horizontally or vertically is 1.45 m, and the minimum width of the profiles is 4 cm. The insulation must fill the entire cavity and be laid evenly and secured in place, so that the façade membrane is not negatively affected (no bulging, pushing out, etc.). When installing on wooden materials, pressure-resistant insulating materials or similar, it is recommended to bond using **Ampacoll® Profix** every 70 cm horizontally and vertically, especially when only individual or sporadic

brackets are installed for final fixing. The maximum distance between individual attachments is 70 cm (horizontal and vertical).

N.B.: Protruding attachments must be split at insulation level and should not penetrate the membrane (e.g. two-piece brackets with clamping flanges).



Note the application guidelines and other system products in our adhesive matrix.



For more detailed information and documents see www.ampack.biz

Sales through dealers

Ampack Switzerland: 071 858 38 00
Ampack Austria: 05523 53433
Ampack Germany: 07621 1610264
Ampack France: 04 50 83 70 54
Ampack Italy: 0471 053 475

www.ampack.biz



This data may become invalid as a result of new information or developments.
Current information can be found at www.ampack.biz © Ampack AG, Rorschach, 03.2022

3007EU/DX.YY(VS)0322