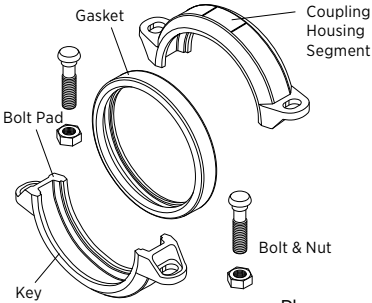


SHURJOINT® INSTALLATION INSTRUCTIONS

7705 & 7707 COUPLINGS

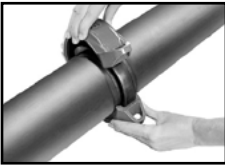


Please read these instructions carefully before installation.

1. Refer to page 48 for preliminary steps 1 -5.

2. INSTALL COUPLING HALVES:

Place the coupling halves over the gasket and make sure that the coupling keys are engaged into the grooves.



3. INSERT BOLT & NUT:

Insert the remaining bolt and apply the nuts hand tight. Make sure that the oval neck of the bolt engages into the bolt hole of the housing.



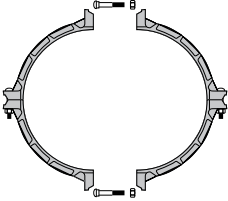
4. TIGHTEN NUTS:

(For 3/4" to 12" Models 7705, 7707 Couplings and 14" to 26" Model 7707N Couplings) Tighten nuts alternately and equally until the bolt pads meet and make metal-to-metal contact. Tighten nuts by another one quarter to one half turn to make sure the bolts and nuts are snug and secure. The use of a torque wrench is not required.



Ensure coupling bolt pads
make metal-to-metal contact.





5. LARGE DIAMETER COUPLING:

(28" to 42" Model 7707L Couplings) Large diameter couplings over 14" consist of three to four housing segments. To prepare installation, preassemble the segments loosely into two or three equal halves depending on sizes. Install those assemblies over the gasket in the same manner as described above.



6. TIGHTEN NUTS:

Tighten nuts alternately and equally until the bolt pads meet and make metal-to-metal contact. Tighten nuts by another one quarter to one half turn to make sure the bolts and nuts are snug and secure. The use of a torque wrench is not required.

*Ensure coupling bolt pads
make metal-to-metal contact.*



▲ CAUTION ▲

1. Uneven tightening of bolts and nuts may cause the gasket to be pinched, resulting in an immediate or delayed leak.
2. Never exceed torque stated in the table on page 34. Excessive tightening of nuts may cause a bolt or joint failure.