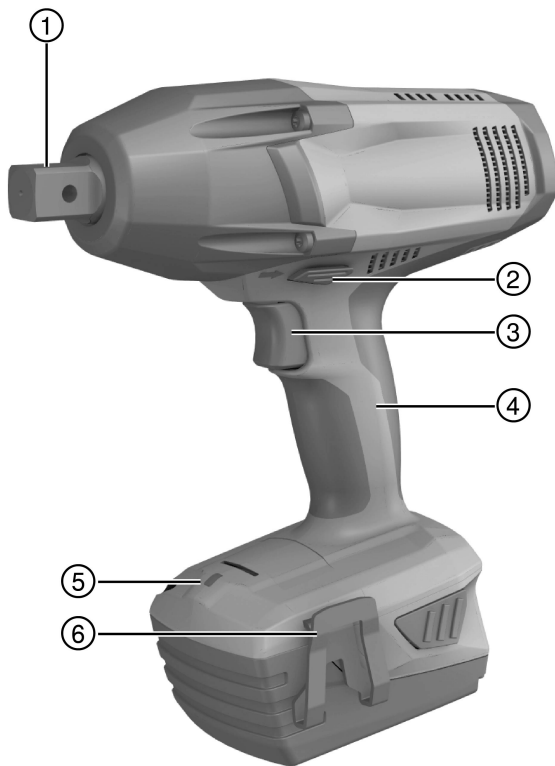
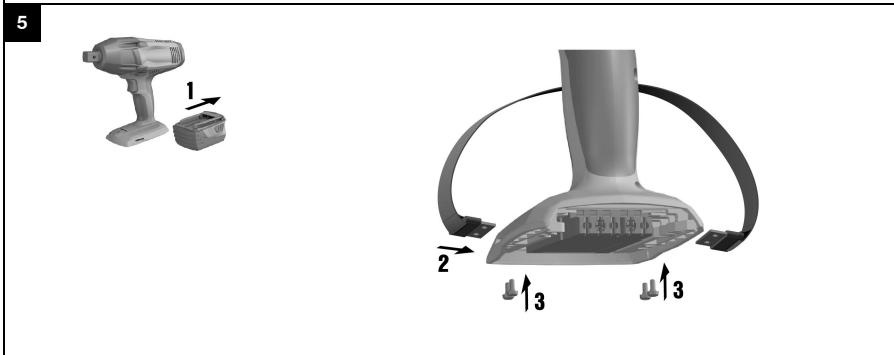
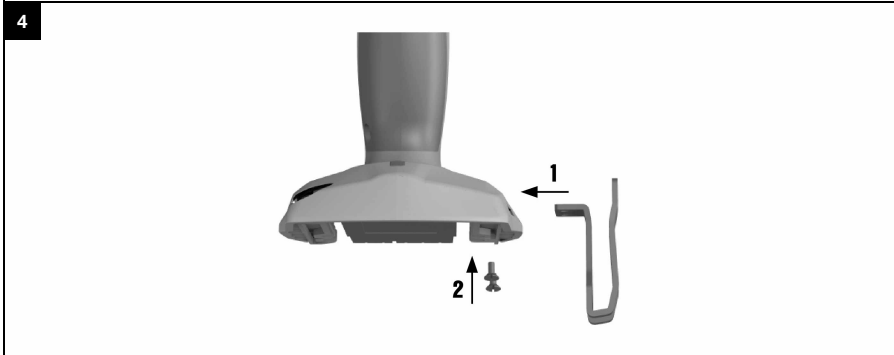
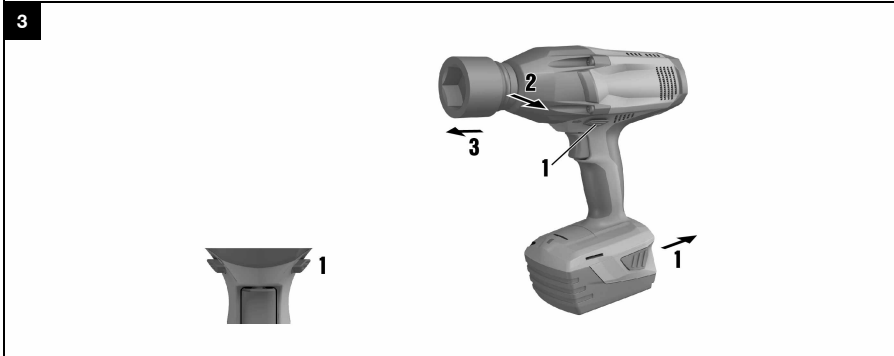
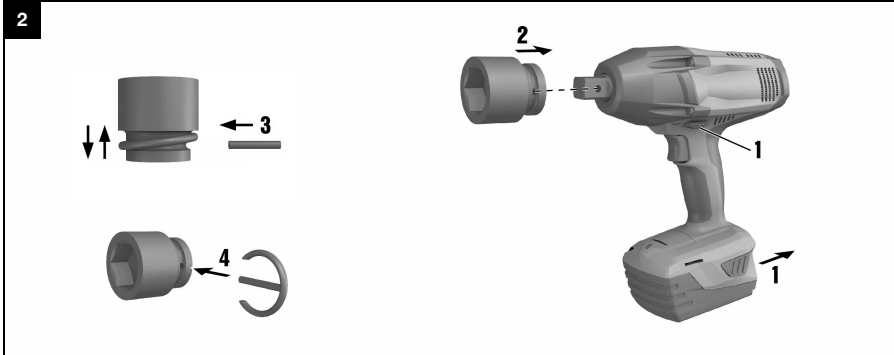




English	1
Français	11
Dansk	22
Svenska	32
Norsk	42
Suomi	52
Eesti	62
Latviešu	72
Lietuvių	82
Русский	92
Українська	104
Қазақ	116
Türkçe	128
عربي	138
日本語	149
한국어	159
繁體中文	169
中文	178

SIW 9-A22







SIW 9-A22

en	Original operating instructions	1
fr	Mode d'emploi original	11
da	Original brugsanvisning	22
sv	Originalbruksanvisning	32
no	Original bruksanvisning	42
fi	Alkuperäiset ohjeet	52
et	Originaalkasutusjuhend	62
lv	Originālā lietošanas instrukcija	72
lt	Originali naudojimo instrukcija	82
ru	Перевод оригинального руководства по эксплуатации	92
uk	Оригінальна інструкція з експлуатації	104
kk	Түпнұсқа пайдалану бойынша нұсқаулық	116
tr	Orijinal kullanım kılavuzu	128
ar	دليل الاستعمال الأصلي	138
ja	オリジナル取扱説明書	149
ko	오리지널 사용 설명서	159
zh	原始操作說明	169
cn	原版操作说明	178

1 Information about the documentation

1.1 About this documentation

- Read this documentation before initial operation or use. This is a prerequisite for safe, trouble-free handling and use of the product.
- Observe the safety instructions and warnings in this documentation and on the product.
- Always keep the operating instructions with the product and make sure that the operating instructions are with the product when it is given to other persons.

1.2 Explanation of symbols used

1.2.1 Warnings

Warnings alert persons to hazards that occur when handling or using the product. The following signal words are used:



DANGER !

- ▶ Draws attention to imminent danger that will lead to serious personal injury or fatality.



WARNING !

- ▶ Draws attention to a potential threat of danger that can lead to serious injury or fatality.



CAUTION !

- ▶ Draws attention to a potentially dangerous situation that could lead to slight personal injury or damage to the equipment or other property.

1.2.2 Symbols in the documentation

The following symbols are used in this document:

	Read the operating instructions before use.
	Instructions for use and other useful information
	Dealing with recyclable materials
	Do not dispose of electric equipment and batteries as household waste

1.2.3 Symbols in the illustrations

The following symbols are used in illustrations:

	These numbers refer to the corresponding illustrations found at the beginning of these operating instructions
3	The numbering reflects the sequence of operations shown in the illustrations and may deviate from the steps described in the text
	Item reference numbers are used in the overview illustrations and refer to the numbers used in the product overview section
	This symbol is intended to draw special attention to certain points when handling the product.

1.3 Product-dependent symbols

1.3.1 Symbols on the product

The following symbols can be used on the product:



2113750

	Wireless data transfer
	HilTI Li-ion battery type series used. Observe the information given in the section headed Intended use .
	Protection class II (double-insulated)
n_0	Rated speed under no load
/min	Revolutions per minute

1.4 Product information

HILTI products are designed for professional users and only trained, authorized personnel are permitted to operate, service and maintain the products. This personnel must be specifically informed about the possible hazards. The product and its ancillary equipment can present hazards if used incorrectly by untrained personnel or if used not in accordance with the intended use.

The type designation and serial number are printed on the rating plate.

- ▶ Write down the serial number in the table below. You will be required to state the product details when contacting HilTI Service or your local HilTI organization to inquire about the product.

Product information

Cordless impact wrench	SIW 9-A22
Generation:	01
Serial no.:	

1.5 Declaration of conformity

We declare, on our sole responsibility, that the product described here complies with the applicable directives and standards. A copy of the declaration of conformity can be found at the end of this documentation.

The technical documentation is filed here:

HilTI Entwicklungsgesellschaft mbH | Tool Certification | Hiltistrasse 6 | 86916 Kaufering, Germany

2 Safety

2.1 General power tool safety warnings

⚠ WARNING Read all safety warnings, instructions, illustrations and specifications provided with this power tool. Failure to follow all instructions listed below may result in electric shock, fire and/or serious injury. **Save all warnings and instructions for future reference.**

The term "power tool" in the warnings refers to your mains-operated (corded) power tool or battery-operated (cordless) power tool.

Work area safety

- ▶ **Keep work area clean and well lit.** Cluttered or dark areas invite accidents.
- ▶ **Do not operate power tools in explosive atmospheres, such as in the presence of flammable liquids, gases or dust.** Power tools create sparks which may ignite the dust or fumes.
- ▶ **Keep children and bystanders away while operating a power tool.** Distractions can cause you to lose control.

Electrical safety

- ▶ **Power tool plugs must match the outlet. Never modify the plug in any way. Do not use any adapter plugs with earthed (grounded) power tools.** Unmodified plugs and matching outlets will reduce risk of electric shock.
- ▶ **Avoid body contact with earthed or grounded surfaces, such as pipes, radiators, ranges and refrigerators.** There is an increased risk of electric shock if your body is earthed or grounded.
- ▶ **Do not expose power tools to rain or wet conditions.** Water entering a power tool will increase the risk of electric shock.
- ▶ **Do not abuse the cord. Never use the cord for carrying, pulling or unplugging the power tool. Keep cord away from heat, oil, sharp edges or moving parts.** Damaged or entangled cords increase the risk of electric shock.



- ▶ **When operating a power tool outdoors, use an extension cord suitable for outdoor use.** Use of a cord suitable for outdoor use reduces the risk of electric shock.
- ▶ **If operating a power tool in a damp location is unavoidable, use a residual current device (RCD) protected supply.** Use of an RCD reduces the risk of electric shock.

Personal safety

- ▶ **Stay alert, watch what you are doing and use common sense when operating a power tool. Do not use a power tool while you are tired or under the influence of drugs, alcohol or medication.** A moment of inattention while operating power tools may result in serious personal injury.
- ▶ **Use personal protective equipment. Always wear eye protection.** Protective equipment such as a dust mask, non-skid safety shoes, hard hat or hearing protection used for appropriate conditions will reduce personal injuries.
- ▶ **Prevent unintentional starting. Ensure the switch is in the off-position before connecting to power source and/or battery pack, picking up or carrying the tool.** Carrying power tools with your finger on the switch or energising power tools that have the switch on invites accidents.
- ▶ **Remove any adjusting key or wrench before turning the power tool on.** A wrench or a key left attached to a rotating part of the power tool may result in personal injury.
- ▶ **Do not overreach. Keep proper footing and balance at all times.** This enables better control of the power tool in unexpected situations.
- ▶ **Dress properly. Do not wear loose clothing or jewellery. Keep your hair and clothing away from moving parts.** Loose clothes, jewellery or long hair can be caught in moving parts.
- ▶ **If devices are provided for the connection of dust extraction and collection facilities, ensure these are connected and properly used.** Use of dust collection can reduce dust-related hazards.
- ▶ **Do not let familiarity gained from frequent use of tools allow you to become complacent and ignore tool safety principles.** A careless action can cause severe injury within a fraction of a second.

Power tool use and care

- ▶ **Do not force the power tool. Use the correct power tool for your application.** The correct power tool will do the job better and safer at the rate for which it was designed.
- ▶ **Do not use the power tool if the switch does not turn it on and off.** Any power tool that cannot be controlled with the switch is dangerous and must be repaired.
- ▶ **Disconnect the plug from the power source and/or remove the battery pack, if detachable, from the power tool before making any adjustments, changing accessories, or storing power tools.** Such preventive safety measures reduce the risk of starting the power tool accidentally.
- ▶ **Store idle power tools out of the reach of children and do not allow persons unfamiliar with the power tool or these instructions to operate the power tool.** Power tools are dangerous in the hands of untrained users.
- ▶ **Maintain power tools and accessories. Check for misalignment or binding of moving parts, breakage of parts and any other condition that may affect the power tool's operation. If damaged, have the power tool repaired before use.** Many accidents are caused by poorly maintained power tools.
- ▶ **Keep cutting tools sharp and clean.** Properly maintained cutting tools with sharp cutting edges are less likely to bind and are easier to control.
- ▶ **Use the power tool, accessories and tool bits etc. in accordance with these instructions, taking into account the working conditions and the work to be performed.** Use of the power tool for operations different from those intended could result in a hazardous situation.
- ▶ **Keep handles and grasping surfaces dry, clean and free from oil and grease.** Slippery handles and grasping surfaces do not allow for safe handling and control of the tool in unexpected situations.

Battery tool use and care

- ▶ **Recharge only with the charger specified by the manufacturer.** A charger that is suitable for one type of battery pack may create a risk of fire when used with another battery pack.
- ▶ **Use power tools only with specifically designated battery packs.** Use of any other battery packs may create a risk of injury and fire.
- ▶ **When battery pack is not in use, keep it away from other metal objects, like paper clips, coins, keys, nails, screws or other small metal objects, that can make a connection from one terminal to another.** Shorting the battery terminals together may cause burns or a fire.
- ▶ **Under abusive conditions, liquid may be ejected from the battery; avoid contact. If contact accidentally occurs, flush with water. If liquid contacts eyes, additionally seek medical help.** Liquid ejected from the battery may cause irritation or burns.
- ▶ **Do not use a battery pack or tool that is damaged or modified.** Damaged or modified batteries may exhibit unpredictable behaviour resulting in fire, explosion or risk of injury.



- ▶ **Do not expose a battery pack or tool to fire or excessive temperature.** Exposure to fire or temperature above 130° C (265 °F) may cause explosion.
- ▶ **Follow all charging instructions and do not charge the battery pack or tool outside the temperature range specified in the instructions.** Charging improperly or at temperatures outside the specified range may damage the battery and increase the risk of fire.

Service

- ▶ **Have your power tool serviced by a qualified repair person using only identical replacement parts.** This will ensure that the safety of the power tool is maintained.
- ▶ **Never service damaged battery packs.** Service of battery packs should only be performed by the manufacturer or authorized service providers.

2.2 Additional safety precautions for screwdrivers

Personal safety

- ▶ Only use the product if it is in perfect working order.
- ▶ Never tamper with or modify the tool in any way.
- ▶ Use the auxiliary grip supplied with the tool. Loss of control can cause personal injury.
- ▶ Always hold the power tool with both hands on the grips provided. Keep the grips clean and dry.
- ▶ Hold the power tool by the insulated gripping surfaces when performing an operation where the accessory tool may come into contact with concealed wiring. If the accessory tool comes into contact with a live wire, metal parts of the power tool may also become live, causing the operator to receive an electric shock.
- ▶ Avoid touching rotating parts – risk of injury!
- ▶ Wear suitable protective glasses, a hard hat, ear protection, protective gloves and light respiratory protection while using the tool.
- ▶ Wear protective gloves also when changing the accessory tool. Touching the accessory tool presents a risk of injury (cuts or burns).
- ▶ Wear eye protection. Flying fragments present a risk of injury to the body and eyes.
- ▶ Before starting work, check the hazard class of the dust that will be produced when working. Use an industrial vacuum cleaner with an officially approved protection class in compliance with the locally applicable dust protection regulations. Dust from materials such as lead-based paint, certain types of wood and concrete/masonry/stone containing quartz, minerals or metal may be harmful to health.
- ▶ Make sure that the working area is well ventilated and, where necessary, wear a respirator appropriate for the type of dust generated. Contact with or inhalation of dust may cause allergic reactions and/or respiratory or other diseases to the operator or bystanders. Certain kinds of dust, such as oak and beech dust, are classified as carcinogenic, especially in conjunction with additives for treating wood (chromate, wood preservative). Materials containing asbestos may only be handled by specialists.
- ▶ Take breaks between working and do physical exercises to improve the blood circulation in your fingers. Exposure to vibration during long periods of work can lead to disorders of the blood vessels and nervous system in the fingers, hands and wrists.

Electrical safety

- ▶ Before starting work, check the working area for concealed electric cables or gas and water pipes. If you damage an electric cable accidentally, external metal parts of the power tool may become live and present a risk of electric shock.

Careful handling and use of power tools

- ▶ Switch the power tool off immediately if the accessory tool jams. The power tool may go off course and veer to the side.
- ▶ Wait until the power tool has come to a complete stop before setting it down.

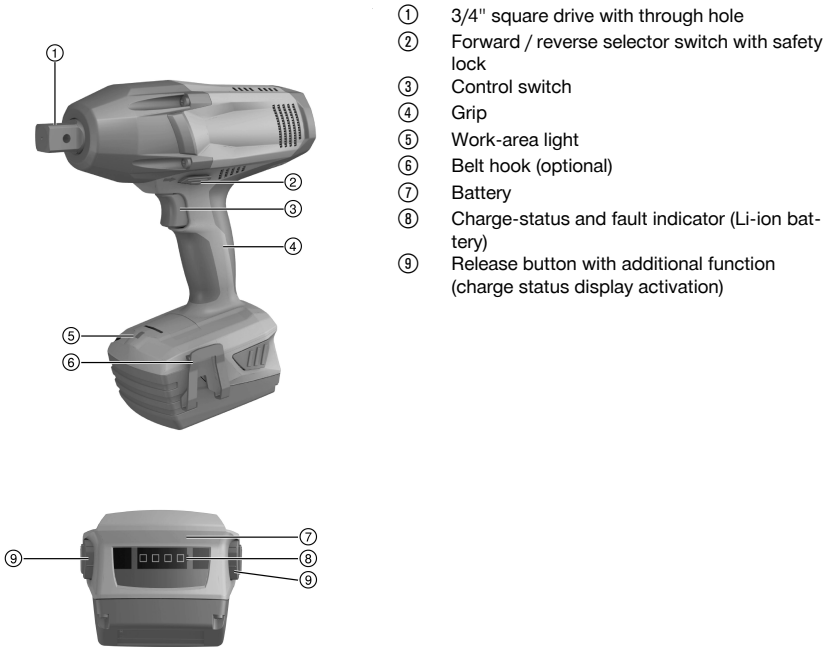
2.3 Battery use and care

- ▶ Observe the special regulations and instructions applicable to the transport, storage and use of Li-ion batteries.
- ▶ Do not expose batteries to high temperatures, direct sunlight or fire.
- ▶ Do not disassemble, crush or incinerate batteries and do not subject them to temperatures over 80 °C.
- ▶ Do not use or charge batteries that have suffered mechanical impact, have been dropped from a height or show signs of damage. In this case, always contact your **Hilti Service**.
- ▶ If the battery is too hot to touch it may be defective. In this case, place the product in a non-flammable location, well away from flammable materials, where it can be kept under observation and allowed to cool down. In this case, always contact your **Hilti Service**.



3 Description

3.1 Product overview



3.2 Intended use

The product described is a hand-held cordless impact wrench. It is designed for tightening and releasing nuts, bolts and anchors and for driving wood screws. Accessory tools (e.g. sockets) are attached by way of a square drive with through hole.

The impact wrench may be used only for applications that require no precise / specified torque. Failure to observe this point presents a risk of over-tightening and damage to the bolt, screw or workpiece.

- ▶ Use only **Hilti** lithium-ion batteries of the B 22 series with this product.
- ▶ Use only **Hilti** battery chargers of the C4/36 series for charging these batteries.

3.3 Items supplied

Impact wrench, operating instructions.



To help ensure safe and reliable operation, use only genuine Hilti spare parts and consumables. Spare parts, consumables and accessories approved by Hilti for use with the product can be found at your local **Hilti Store** or online at: www.hilti.group | USA: www.hilti.com

3.4 Li-ion battery display

The Li-ion battery state of charge and malfunctions of the power tool are indicated by the display on the Li-ion battery. The Li-ion battery state of charge is displayed after pressing one of the two battery release buttons.

Status	Meaning
4 LEDs light.	State of charge: 75 % to 100 %
3 LEDs light.	State of charge: 50 % to 75 %
2 LEDs light.	State of charge: 25 % to 50 %



2113750

Status	Meaning
1 LED lights.	State of charge: 10 % to 25 %
1 LED blinks, the power tool is ready for use.	State of charge: < 10 %
1 LED blinks, the power tool is not ready for use.	The battery has overheated.
4 LEDs blink, the power tool is not ready for use.	The power tool is overloaded or has overheated.

i Battery charge state cannot be displayed while the control switch is pressed and for up to 5 seconds after releasing the control switch. If the battery display LEDs blink, please observe the instructions given in the Troubleshooting section.

4 Technical data

4.1 Impact wrench

Rated voltage	21.6 V _{DC}
Weight in accordance with EPTA procedure 01	3.6 kg
Rated speed under no load	1,400 /min
Impact frequency	2,200 bpm
Ambient temperature for operation	-17 °C ... 60 °C
Storage temperature	-20 °C ... 70 °C

4.2 Battery

Battery operating voltage	21.6 V
Ambient temperature for operation	-17 °C ... 60 °C
Storage temperature	-20 °C ... 40 °C
Battery charging starting temperature	-10 °C ... 45 °C

4.3 Noise information and vibration values in accordance with EN 60745

The sound pressure and vibration values given in these instructions were measured in accordance with a standardized test and can be used to compare one power tool with another. They can also be used for a preliminary assessment of exposure. The data given represents the main applications of the power tool. However, if the power tool is used for different applications, with different accessory tools, or is poorly maintained, the data can vary. This can significantly increase exposure over the total working period. An accurate estimation of exposure should also take into account the times when the tool is switched off, or when it is running but not actually being used for a job. This can significantly reduce exposure over the total working period. Identify additional safety measures to protect the operator from the effects of noise and/or vibration, for example: Maintaining the power tool and accessory tools, keeping the hands warm, organization of work patterns.

Noise emission values

Emission sound pressure level (L_{pA})	98.5 dB(A)
Uncertainty for the sound pressure level (K_{pA})	3 dB(A)
Sound power level (L_{WA})	109.5 dB(A)
Uncertainty for the sound power level (K_{WA})	3 dB(A)

Total vibration

Vibration emission value when tightening screws/bolts and nuts of the maximum permitted size (a_h)	7 m/s ²
Uncertainty (K)	1.5 m/s ²



5 Preparations at the workplace

5.1 Charging the battery

1. Before charging the battery, read the operating instructions for the charger.
2. Make sure that the contacts on the battery and the contacts on the charger are clean and dry.
3. Use an approved charger to charge the battery.

5.2 Inserting the battery

CAUTION

Risk of injury by short circuit or falling battery!

- ▶ Before inserting the battery, make sure that the contacts on the battery and the contacts on the product are free of foreign matter.
- ▶ Make sure that the battery always engages correctly.

1. Charge the battery fully before using it for the first time.
2. Push the battery into the battery holder until it engages with an audible click.
3. Check that the battery is seated securely.

5.3 Removing the battery

1. Press the release buttons on the battery.
2. Pull the battery out of its holder in the device.

5.4 Fitting the socket 2

CAUTION

Risk of injury through use of the wrong type of accessory tool!

- ▶ Use only accessory tools of the locking type.
- ▶ Do not use worn or damaged accessory tools.

CAUTION

Risk of injury By worn or damaged locking ring

- ▶ Never use a worn or damaged locking ring.

1. Set the forward/reverse switch to the middle position or remove the battery from the power tool.
2. Place the socket on the square drive spindle of the tool.



Turn the socket until the hole in the recess of the socket is in line with the hole in the square drive spindle.

3. If the following conditions are met, also take this action:

Conditions: With O-ring and locking pin.

- ▶ Remove the O-ring from the groove in the socket. Insert the locking pin into the holes in the socket and the square drive spindle. Then re-insert the O-ring in the groove in the socket.

4. If the following conditions are met, also take this action:

Conditions: With locking ring.

- ▶ Fit the locking ring into the socket.

5.5 Removing the socket 3

1. Set the forward/reverse switch to the middle position or remove the battery from the power tool.
2. Remove the locking ring or the O-ring complete with locking pin from the socket.
3. Remove the socket from the square drive spindle of the tool.




5.6 Fitting the belt hook (optional) 4

WARNING

Risk of injury! Hazard presented by a falling power tool.

- ▶ A falling power tool may present a risk of injury to yourself and others. Check that the belt hook is fitted securely before beginning work.

 The belt hook allows the power tool to be attached to a belt worn by the operator. The belt hook can be fitted to allow attachment on the left or right side of the body.


1. Remove the battery. → page 7
2. Insert the belt hook into the opening provided at the base of the product.
3. Secure the belt hook with the two screws.

5.7 Hilti Installing the retaining strap (optional) 5

ATTENTION

Damage to the product and / or the lanyard. Incorrect handling can result in damage to the product and/or lanyard.


- ▶ Do not use a metal chain as a lanyard. Do not use lanyards longer than 2,0 m (6 ft).

 To avoid damage and injury, when working at a height it is advisable to use the **Hilti** retaining strap. The retaining strap allows a securing cord or lanyard to be attached.
When working with the product, you must comply with national regulations for working at heights.

1. Remove the battery. → page 7
2. Insert the two tabs on the retaining strap into the slots on each side of the base.
3. Secure the retaining strap with the screws supplied.
4. Insert the battery. → page 7

6 Types of work


6.1 Setting forward or reverse rotation 6

 In the middle position, the forward / reverse selector switch serves as a safety lock.

- ▶ Set the forward / reverse selector switch to forward or reverse rotation.

6.2 Switching on

- ▶ Press the control switch.
 - ↳ Speed of rotation is regulated by the distance the control switch is pressed in.

 Do not overload the product. If the product becomes very warm, allow it to cool down for a few minutes.

6.3 Switching off

- ▶ Release the control switch.

7 Care and maintenance

WARNING

Risk of injury with battery inserted !

- ▶ Always remove the battery before carrying out care and maintenance tasks!



Care and maintenance of the tool

- Carefully remove stubborn dirt.
- Clean the air vents carefully with a dry brush.
- Use only a slightly damp cloth to clean the casing. Do not use cleaning agents containing silicone as these can attack the plastic parts.

Care of the Li-ion batteries

- Keep the battery free from oil and grease.
- Use only a slightly damp cloth to clean the casing. Do not use cleaning agents containing silicone as these may attack the plastic parts.
- Avoid ingress of moisture.

Maintenance

- Check all visible parts and controls for signs of damage at regular intervals and make sure that they all function correctly.
- Do not operate the product if signs of damage are found or if parts malfunction. Have it repaired immediately by **Hilti Service**.
- After cleaning and maintenance, fit all guards or protective devices and check that they function correctly.



To help ensure safe and reliable operation, use only genuine Hilti spare parts and consumables. Spare parts, consumables and accessories approved by Hilti for use with the product can be found at your local **Hilti Store** or online at: www.hilti.group.

8 Transport and storage of cordless tools

Transport



CAUTION

Accidental starting during transport !

- ▶ Always transport your products with the batteries removed!
- ▶ Remove the battery.
- ▶ Never transport batteries in bulk form (loose, unprotected).
- ▶ Check the tool and batteries for damage before use after long periods of transport.

Storage



CAUTION

Accidental damage caused by defective or leaking batteries !

- ▶ Always store your products with the batteries removed!
- ▶ Store the tool and batteries in a place that is as cool and dry as possible.
- ▶ Never store batteries in direct sunlight, on heating units or behind a window pane.
- ▶ Store the tool and batteries in a place where they cannot be accessed by children or unauthorized persons.
- ▶ Check the tool and batteries for damage before use after long periods of storage.

9 Troubleshooting

If the trouble you are experiencing is not listed in this table or you are unable to remedy the problem by yourself, please contact **Hilti Service**.

9.1 Troubleshooting

If the trouble you are experiencing is not listed in this table or you are unable to remedy the problem by yourself, please contact **Hilti Service**.

Trouble or fault	Possible cause	Action to be taken
The power tool doesn't start.	1 LED blinks: The battery is empty.	▶ Remove the battery and charge it.
	The battery is not fitted correctly.	▶ The battery must be heard to engage. Remove the battery and refit it.



2113750

English

9

Trouble or fault	Possible cause	Action to be taken
The power tool doesn't start.	1 LED blinks: The battery is too hot or too cold.	▶ Allow the battery to cool down / warm up to its working temperature.
	4 LEDs blink: The power tool was overloaded briefly.	▶ Release the control switch and then press it again.
The control switch cannot be pressed.	The forward / reverse selector switch is in the middle position.	▶ Push the forward / reverse switch to the left or right.
Speed of rotation drops considerably.	Low battery.	▶ Remove the battery and charge it.
The battery is not heard to engage.	The retaining lugs on the battery are dirty.	▶ Clean the retaining lugs.
The battery runs low more quickly than usual.	Very low ambient temperature.	▶ Warm up the battery slowly to room temperature.

10 Disposal

Most of the materials from which **Hilti** tools and appliances are manufactured can be recycled. The materials must be correctly separated before they can be recycled. In many countries, your old tools, machines or appliances can be returned to **Hilti** for recycling. Ask **Hilti** Service or your Hilti representative for further information.

Battery disposal

Improper disposal of batteries can result in health hazards from leaking gases or fluids.

- ▶ DO NOT send batteries through the mail!
- ▶ Cover the terminals with a non-conductive material (such as electrical tape) to prevent short circuiting.
- ▶ Dispose of your battery out of the reach of children.
- ▶ Dispose of the battery at your **Hilti Store**, or consult your local governmental garbage disposal or public health and safety resources for disposal instructions.



- ▶ Do not dispose of power tools, electronic equipment or batteries as household waste!

11 RoHS (Restriction of Hazardous Substances)

Click on the link to go to the table of hazardous substances: qr.hilti.com/r4838535.

There is a link to the RoHS table, in the form of a QR code, at the end of this document.

12 Manufacturer's warranty

- ▶ Please contact your local **Hilti** representative if you have questions about the warranty conditions.



1 Indications relatives à la documentation

1.1 À propos de cette documentation

- Lire intégralement la présente documentation avant la mise en service. C'est la condition préalablement requise pour assurer la sécurité du travail et un maniement sans perturbations.
- Bien respecter les consignes de sécurité et les avertissements de la présente documentation ainsi que celles figurant sur le produit.
- Toujours conserver le mode d'emploi à proximité du produit et uniquement le transmettre à des tiers avec ce mode d'emploi.

1.2 Explication des symboles

1.2.1 Avertissements

Les avertissements attirent l'attention sur des dangers liés à l'utilisation du produit. Les termes de signalisation suivants sont utilisés :

DANGER

DANGER !

- ▶ Pour un danger imminent qui peut entraîner de graves blessures corporelles ou la mort.

AVERTISSEMENT

AVERTISSEMENT !

- ▶ Pour un danger potentiel qui peut entraîner de graves blessures corporelles ou la mort.

ATTENTION

ATTENTION !

- ▶ Pour attirer l'attention sur une situation pouvant présenter des dangers entraînant des blessures corporelles légères ou des dégâts matériels.

1.2.2 Symboles dans la documentation

Les symboles suivants sont utilisés dans la présente documentation :

	Lire le mode d'emploi avant d'utiliser l'appareil
	Pour des conseils d'utilisation et autres informations utiles
	Maniement des matériaux recyclables
	Ne pas jeter les appareils électriques et les accus dans les ordures ménagères

1.2.3 Symboles dans les illustrations

Les symboles suivants sont utilisés dans les illustrations :

	Ces chiffres renvoient à l'illustration correspondante au début du présent mode d'emploi
	La numérotation détermine la séquence des étapes de travail dans l'image et peut se différencier de celles des étapes de travail dans le texte
	Les numéros de position sont utilisés dans l'illustration Vue d'ensemble et renvoient aux numéros des légendes dans la section Vue d'ensemble du produit
	Ce signe doit inviter à manier le produit en faisant particulièrement attention.

1.3 Symboles spécifiques au produit

1.3.1 Symboles sur le produit

Les symboles suivants peuvent être utilisés sur le produit :



2113750

Français

11

	Transmission de données sans fil
	Série de type d'accu Li-Ion Hilti utilisée. Observer les instructions au chapitre Utilisation conforme à l'usage prévu .
	Classe de protection II (double isolation)
n_0	Vitesse nominale à vide
/min	Tours par minute

1.4 Informations produit

Les produits **HILTI** sont destinés aux professionnels et ne doivent être utilisés, entretenus et réparés que par un personnel autorisé et formé. Ce personnel doit être spécialement instruit quant aux dangers inhérents à l'utilisation de l'appareil. Le produit et ses accessoires peuvent s'avérer dangereux s'ils sont utilisés de manière incorrecte par un personnel non qualifié ou de manière non conforme à l'usage prévu.

La désignation du modèle et le numéro de série figurent sur sa plaque signalétique.

- ▶ Inscrivez le numéro de série dans le tableau suivant. Les informations produit vous seront demandées lorsque vous contactez nos revendeurs ou services après-vente.

Caractéristiques produit

Boulonneuse à choc sans fil	SIW 9-A22
Génération :	01
N° de série :	

1.5 Déclaration de conformité

Nous déclarons sous notre seule et unique responsabilité que le produit décrit ici est conforme aux directives et normes en vigueur. Une copie de la Déclaration de conformité se trouve en fin de la présente documentation.

Pour obtenir les documentations techniques, s'adresser à :

Hilti Entwicklungsgesellschaft mbH | Zulassung Geräte | Hiltistraße 6 | 86916 Kaufering, DE

2 Sécurité

2.1 Indications générales de sécurité pour les appareils électriques

⚠ AVERTISSEMENT Lire toutes les consignes de sécurité et instructions, illustrations et caractéristiques techniques, qui accompagnent cet outil électroportatif. Tout manquement à l'observation des instructions suivantes risque de provoquer une électrocution, un incendie et/ou de graves blessures.

Les consignes de sécurité et instructions doivent être intégralement conservées pour les utilisations futures.

La notion d'« outil électroportatif » mentionnée dans les consignes de sécurité se rapporte à des outils électriques raccordés au secteur (avec câble d'alimentation) et à des outils électriques sur accu (sans câble d'alimentation).

Sécurité sur le lieu de travail

- ▶ **Conserver la zone de travail propre et bien éclairée.** Un lieu de travail en désordre ou mal éclairé augmente le risque d'accidents.
- ▶ **Ne pas faire fonctionner les outils électriques en atmosphère explosive et où se trouvent des liquides, des gaz ou poussières inflammables.** Les outils électriques produisent des étincelles qui peuvent enflammer les poussières ou les fumées.
- ▶ **Maintenir les enfants et les personnes présentes à l'écart pendant l'utilisation de l'outil électroportatif.** En cas d'inattention il y a risque de perdre le contrôle de l'appareil.

Sécurité relative au système électrique

- ▶ **La fiche de secteur de l'outil électroportatif doit être adaptée à la prise de courant. Ne jamais modifier la fiche de quelque façon que ce soit. Ne pas utiliser d'adaptateurs avec des outils électriques à branchement de terre.** Des fiches non modifiées et des prises de courant adaptées réduiront le risque de choc électrique.



- ▶ **Éviter le contact physique avec des surfaces mises à la terre tels que tuyaux, radiateurs, cuisinières et réfrigérateurs.** Il y a un risque élevé de choc électrique au cas où votre corps serait relié à la terre.
- ▶ **Ne pas exposer les outils électroportatifs à la pluie ou à l'humidité.** La pénétration d'eau à l'intérieur d'un outil électroportatif augmentera le risque d'un choc électrique.
- ▶ **Ne jamais utiliser le câble de raccordement à d'autres fins que celles prévues, telles que pour porter, accrocher ou débrancher l'outil électroportatif de la prise de courant. Maintenir le câble de raccordement à l'écart de la chaleur, des parties grasses, des bords tranchants ou des parties en mouvement.** Des câbles de raccordement endommagés ou emmêlés augmentent le risque de choc électrique.
- ▶ **Si l'outil électroportatif est utilisé à l'extérieur, utiliser uniquement des câbles de rallonge homologués pour les applications extérieures.** L'utilisation d'un câble de rallonge homologué pour les applications extérieures réduit le risque d'un choc électrique.
- ▶ **Si l'utilisation de l'outil électrique dans un environnement humide ne peut pas être évitée, utiliser un interrupteur de protection contre les courants de court-circuit.** L'utilisation d'un tel interrupteur de protection réduit le risque d'une décharge électrique.

Sécurité des personnes

- ▶ **Rester vigilant, surveiller ce que l'on fait. Faire preuve de bon sens en utilisant l'outil électroportatif. Ne pas utiliser l'outil électroportatif en étant fatigué ou sous l'emprise de l'alcool, de drogues ou de médicaments.** Un moment d'inattention lors de l'utilisation de l'outil électroportatif peut entraîner des blessures graves.
- ▶ **Utiliser un équipement de protection personnel et toujours porter une protection pour les yeux.** Les équipements de protection personnels tels que masque antipoussière, chaussures de sécurité antidérapantes, casque de protection ou protection acoustique suivant l'utilisation de l'outil électroportatif, réduiront le risque de blessures des personnes.
- ▶ **Éviter une mise en service par mégarde. S'assurer que l'outil électroportatif est arrêté avant de le brancher à la source de courant et/ou à l'accu, de le prendre ou de le porter.** Le fait de porter l'outil électroportatif avec le doigt sur l'interrupteur ou de brancher l'appareil sur la source de courant lorsque l'interrupteur est en position de fonctionnement peut entraîner des accidents.
- ▶ **Retirer tout outil de réglage ou toute clé avant de mettre l'outil électroportatif en fonctionnement.** Une clé ou un outil se trouvant sur une partie en rotation peut causer des blessures.
- ▶ **Adopter une bonne posture. Veiller à toujours garder une position stable et équilibrée.** Cela permet un meilleur contrôle de l'outil électroportatif dans des situations inattendues.
- ▶ **S'habiller de manière adaptée. Ne pas porter de vêtements amples ni de bijoux. Garder les cheveux, les vêtements et les gants à distance des parties en mouvement.** Des vêtements amples, des bijoux ou des cheveux longs peuvent être happés par des parties en mouvement.
- ▶ **Si des dispositifs servant à aspirer ou à recueillir les poussières doivent être utilisés, s'assurer qu'ils sont effectivement raccordés et correctement utilisés.** L'utilisation d'un dispositif d'aspiration de la poussière peut réduire les risques dus aux poussières.
- ▶ **Ne pas sous-estimer les mesures de sécurité à prendre et ne pas ignorer sciemment les règles de sécurité applicables aux outils électriques, même si l'on est utilisateur chevronné après de fréquentes utilisations de l'outil électroportatif.** Un manque d'attention peut conduire à de graves blessures en quelques fractions de seconde.

Utilisation et maniement de l'outil électroportatif

- ▶ **Ne pas forcer l'appareil. Utiliser l'outil électroportatif adapté au travail à effectuer.** Un outil électroportatif approprié réalisera mieux le travail et de manière plus sûre au régime pour lequel il a été conçu.
- ▶ **Ne pas utiliser d'outil électroportatif dont l'interrupteur est défectueux.** Tout outil électroportatif qui ne peut plus être mis en ou hors fonctionnement est dangereux et doit être réparé.
- ▶ **Débrancher la fiche de la prise de courant et/ou l'accu amovible avant d'effectuer des réglages sur l'appareil, de changer les accessoires, ou de ranger l'appareil.** Cette mesure de précaution empêche une mise en fonctionnement par mégarde de l'outil électroportatif.
- ▶ **Conserver les outils électroportatifs non utilisés hors de portée des enfants. Ne permettre l'utilisation de l'appareil à aucune personne qui ne soit pas familiarisée avec celui-ci ou qui n'a pas lu ces instructions.** Les outils électroportatifs sont dangereux lorsqu'ils sont entre les mains de personnes non initiées.
- ▶ **Prendre soin des outils électroportatifs et des accessoires. Vérifier que les parties en mouvement fonctionnent correctement et qu'elles ne sont pas coincées, et contrôler si des parties sont cassées ou endommagées de sorte que le bon fonctionnement de l'outil électroportatif s'en trouve entravé. Faire réparer les parties endommagées avant d'utiliser l'appareil.** De nombreux accidents sont dus à des outils électroportatifs mal entretenus.



- ▶ **Garder les outils de coupe affûtés et propres.** Des outils destinés à couper correctement entretenus avec des arêtes de coupe tranchantes sont moins susceptibles de bloquer et sont plus faciles à contrôler.
- ▶ **L'outil électroportatif, les accessoires, les outils amovibles, etc. doivent être utilisés conformément à ces instructions. Tenir également compte des conditions de travail et du travail à réaliser.** L'utilisation des outils électroportatifs à d'autres fins que celles prévues peut entraîner des situations dangereuses.
- ▶ **Veiller à ce que les poignées et surfaces de préhension soient toujours être sèches, propres et exemptes de traces de graisse ou d'huile.** Avec des poignées et surfaces de préhension glissantes, la sécurité et le contrôle de l'outil électroportatif ne peuvent être assurés dans des situations inopinées.

Utilisation et maniement de l'outil sur accu

- ▶ **Ne charger les accus que dans des chargeurs recommandés par le fabricant.** Si un chargeur approprié à un type spécifique d'accus est utilisé avec des accus non recommandés pour celui-ci, il y a risque d'incendie.
- ▶ **Dans les outils électroportatifs, utiliser uniquement les accus spécialement prévus pour ceux-ci.** L'utilisation de tout autre accu peut entraîner des blessures et des risques d'incendie.
- ▶ **Tenir l'accu non utilisé à l'écart de tous objets métalliques tels qu'agrafes, pièces de monnaie, clés, clous, vis ou autres, étant donné qu'un pontage peut provoquer un court-circuit.** Un court-circuit entre les contacts d'accu peut provoquer des brûlures ou un incendie.
- ▶ **En cas d'utilisation abusive, du liquide peut sortir de l'accu. Éviter tout contact avec ce liquide. En cas de contact par mégarde, rincer soigneusement avec de l'eau. Au cas où le liquide rentrerait dans les yeux, consulter en plus un médecin.** Le liquide qui sort de l'accu peut entraîner des irritations de la peau ou causer des brûlures.
- ▶ **Ne pas utiliser d'accu endommagé ou modifié.** Des accus endommagés ou modifiés peuvent avoir un comportement imprévisible et provoquer un incendie, une explosion ou engendrer un risque de blessures.
- ▶ **Ne jamais exposer l'accu au feu ou à des températures trop élevées.** Le feu ou des températures supérieures à 130 °C (265 °F) peuvent provoquer une explosion.
- ▶ **Suivre toutes les instructions de charge et ne jamais charger l'accu ou l'outil sur accu hors de la plage de températures spécifiée dans le manuel d'utilisation.** Une charge inappropriée ou hors de la plage de températures spécifiée risque d'endommager l'accu et accroître le risque d'incendie.

Service

- ▶ **L'outil électroportatif doit uniquement être réparé par un personnel qualifié et seulement avec des pièces de rechange d'origine.** Ceci permet d'assurer la sécurité de l'appareil.
- ▶ **Ne jamais entretenir d'accus endommagés.** Toutes les opérations d'entretien sur des accus doivent exclusivement être réalisées par le fabricant ou un prestataire de service client agréé.

2.2 Consignes de sécurité supplémentaires spécifiques à la visseuse

Sécurité des personnes

- ▶ Utiliser le produit uniquement s'il est en parfait état.
- ▶ Ne jamais entreprendre de manipulation ou de modification sur l'appareil.
- ▶ Utiliser la poignée supplémentaire livrée avec l'appareil. La perte de contrôle peut entraîner des blessures.
- ▶ Toujours tenir l'appareil des deux mains par les poignées prévues à cet effet. Tenir les poignées toujours sèches et propres.
- ▶ Tenir l'appareil par les surfaces isolées des poignées lors des travaux pendant lesquels l'outil utilisé risque de toucher des câbles électriques cachés. Le contact avec un câble sous tension risque de mettre les parties métalliques de l'appareil sous tension et de provoquer une décharge électrique.
- ▶ Éviter de toucher des pièces en rotation – Risque de blessures !
- ▶ Lors de l'utilisation de l'appareil, porter des lunettes de protection adéquates, un casque de protection, un casque antibruit, des gants de protection et un masque respiratoire léger.
- ▶ Porter aussi des gants de protection pour changer d'outil. Risque de blessures par coupure et de brûlures au contact avec l'outil amovible.
- ▶ Porter des lunettes de protection. Les éclats de matière peuvent entraîner des blessures corporelles et aux yeux.
- ▶ Avant le début du travail, prendre connaissance de la classe de risque de la poussière générée lors des travaux. Utiliser un aspirateur avec une classification de sécurité autorisée officiellement et conforme aux dispositions locales concernant les poussières. Les poussières de matériaux telles que des peintures contenant du plomb, certains types de bois, du béton / de la maçonnerie / des pierres naturelles qui contiennent du quartz ainsi que des minéraux et des métaux peuvent être nuisibles à la santé.



- ▶ Veiller à ce que le poste de travail soit bien ventilé et porter, le cas échéant, un masque de protection respiratoire adapté au type de poussières. Le contact ou l'aspiration de poussière peut provoquer des réactions allergiques et/ou des maladies respiratoires de l'utilisateur ou de toute personne se trouvant à proximité. Certaines poussières, telles que des poussières de chêne ou de hêtre, sont réputées être cancérigènes, en particulier lorsqu'elles sont combinées à des additifs destinés au traitement du bois (chromate, produit de protection du bois). Les matériaux contenant de l'amiante doivent seulement être manipulés par un personnel spécialisé.
- ▶ Faire régulièrement des pauses et des exercices pour favoriser l'irrigation sanguine dans les doigts. En cas de travaux prolongés, les vibrations peuvent perturber la circulation dans les vaisseaux sanguins ou le système nerveux dans les doigts, les mains ou le poignet.

Sécurité relative au système électrique

- ▶ Avant d'entamer le travail, vérifier qu'il n'y a pas de câbles ou gaines électriques, tuyaux de gaz ou d'eau cachés dans la zone d'intervention. Toutes pièces métalliques extérieures de l'appareil sont susceptibles de provoquer une décharge électrique si un câble électrique est endommagé par inadvertance.

Utilisation et emploi soigneux de l'outil électrique

- ▶ Arrêter immédiatement l'outil électrique si l'outil se bloque. L'appareil peut dévier latéralement.
- ▶ Attendre jusqu'à ce que l'outil électrique soit arrêté avant de le déposer.

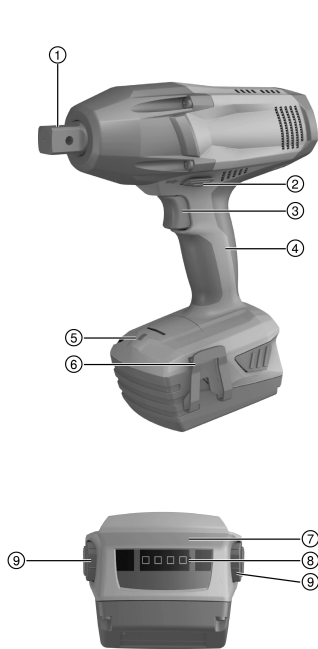
2.3 Utilisation et emploi soigneux des batteries

- ▶ Respecter les directives spécifiques relatives au transport, au stockage et à l'utilisation des batteries li-ion.
- ▶ Ne pas exposer les batteries à des températures élevées, ni au rayonnement direct du soleil ou au feu.
- ▶ Les batteries ne doivent pas être démontées, écrasées, chauffées à une température supérieure à 80 °C ou jetées au feu.
- ▶ Ne jamais utiliser ni charger d'accus qui ont subi un choc électrique, qui sont tombés de plus d'un mètre ou qui ont été endommagés d'une manière quelconque. Si tel est le cas, il convient de contacter le **S.A.V Hilti**.
- ▶ Si la batterie est trop chaude pour être touchée, elle peut être défectueuse. Déposer le produit à un endroit non inflammable d'où il peut être surveillé, à une distance suffisante de matériaux inflammables et le laisser refroidir. Si tel est le cas, il convient de contacter le **S.A.V Hilti**.



3 Description

3.1 Vue d'ensemble du produit



- ① Carré ext. 3/4" avec trou traversant
- ② Inverseur du sens de rotation droite / gauche avec dispositif de blocage
- ③ Variateur électronique de vitesse
- ④ Poignée
- ⑤ Éclairage du champ de travail
- ⑥ Patte d'accrochage (en option)
- ⑦ Accu
- ⑧ Affichage de l'état de charge et des défauts (accu Li-Ion)
- ⑨ Bouton de déverrouillage avec fonction supplémentaire d'activation de l'indicateur de l'état de charge

3.2 Utilisation conforme à l'usage prévu

Le produit décrit est une boulonneuse à choc sans fil à guidage manuel. Il a été conçu pour le serrage et le desserrage d'écrous, de boulons, de cheville et de vis à bois. Le mandrin est constitué d'un carré avec trou traversant.

La boulonneuse à choc doit uniquement être utilisée pour des applications ne nécessitant pas de couple de rotation précis / spécifique. Sinon, il y a risque de visser trop fort, d'endommager la vis ou la pièce travaillée.

- ▶ Pour ce produit, utiliser exclusivement les accus Li-Ion **Hilti** de la série B 22.
- ▶ Pour ces accus, utiliser exclusivement les chargeurs **Hilti** de la série C4/36.

3.3 Équipement livré

Boulonneuse à choc, mode d'emploi.



Pour une utilisation en toute sécurité, utiliser uniquement des pièces de rechange et consommables d'origine. Vous trouverez les pièces de rechange, consommables et accessoires autorisés convenant pour votre produit dans le centre **Hilti Store** ou sous : www.hilti.group | ÉTATS-UNIS : www.hilti.com

3.4 Affichage de l'accu Li-Ion

L'état de charge de l'accu Li-Ion et les défaillances de l'appareil sont signalés sur l'écran d'affichage de l'accu Li-Ion. L'état de charge de l'accu Li-Ion peut être visualisé en appuyant légèrement sur l'un des deux boutons de déverrouillage.

État	Signification
4 LED allumées.	État de charge : 75 % à 100 %
3 LED allumées.	État de charge : 50 % à 75 %



État	Signification
2 LED allumées.	État de charge : 25 % à 50 %
1 LED allumée.	État de charge : 10 % à 25 %
1 LED clignote, l'appareil est fonctionnel.	État de charge : < 10 %
1 LED clignote, l'appareil n'est pas fonctionnel.	Surchauffe de l'accu.
4 LED clignent, l'appareil n'est pas fonctionnel.	Charge excessive ou surchauffe de l'appareil.

i Il n'est pas possible d'interroger l'indicateur de l'état de charge lorsque le variateur électronique de vitesse est actionné et jusqu'à 5 secondes après avoir relâché le variateur électronique de vitesse. Si les LED de l'affichage de l'accu clignent, se reporter au chapitre Aide au dépannage.

4 Caractéristiques techniques

4.1 Boulonneuse à choc

Tension de référence	21,6 V _{CC}
Poids selon la procédure EPTA 01	3,6 kg
Vitesse de rotation à vide de référence	1.400 tr/min
Fréquence de percussion	2.200 bpm
Température ambiante en cours de service	-17 °C ... 60 °C
Température de stockage	-20 °C ... 70 °C

4.2 Batterie

Tension nominale de l'accu	21,6 V
Température ambiante en cours de service	-17 °C ... 60 °C
Température de stockage	-20 °C ... 40 °C
Température de l'accu au début de la charge	-10 °C ... 45 °C

4.3 Valeurs d'émissions acoustiques et de vibrations selon EN 60745

Les valeurs de pression acoustique et de vibrations triaxiales mentionnées dans ces instructions ont été mesurées conformément à un procédé de mesure normalisé et peuvent être utilisées comme base de comparaison entre outils électroportatifs. Elles servent également à une évaluation préalable de l'exposition aux bruits et aux vibrations. Les indications fournies correspondent aux principales applications de l'outil électroportatif. Ces données peuvent néanmoins différer si l'outil électroportatif est utilisé pour d'autres applications, avec des outils à monter différents ou que l'entretien s'avère insuffisant. Ceci peut augmenter considérablement les contraintes d'exposition dans tout l'espace de travail. Pour une évaluation précise des expositions, il convient également de prendre en compte les temps durant lesquels l'appareil est arrêté ou marche à vide. Ceci peut réduire considérablement les contraintes d'exposition dans tout l'espace de travail. Par ailleurs, il convient de prendre des mesures de sécurité supplémentaires en vue de protéger l'utilisateur des effets du bruit et/ou des vibrations, telles que : bien entretenir l'outil électroportatif ainsi que les outils à monter, maintenir les mains chaudes, optimiser l'organisation des opérations.

Valeurs d'émissions sonores

Niveau de pression acoustique d'émission (L _{pA})	98,5 dB(A)
Incertitude sur le niveau de pression acoustique (K _{pA})	3 dB(A)
Niveau de puissance acoustique (L _{WA})	109,5 dB(A)
Incertitude sur le niveau de puissance acoustique (K _{WA})	3 dB(A)

Valeurs totales des vibrations

Valeur d'émission vibratoire lors du serrage de vis et d'écrous de taille maximale admissible (a _h)	7 m/s ²
Incertitude (K)	1,5 m/s ²



5 Préparatifs

5.1 Recharge de l'accu

1. Avant de commencer la charge, lire le mode d'emploi du chargeur.
2. Veiller à ce que les contacts de l'accu et du chargeur sont propres et secs.
3. Charger l'accu à l'aide d'un chargeur homologué.

5.2 Introduction de l'accu

ATTENTION

Risque de blessures du fait d'un court-circuit ou de la chute de l'accu !

- ▶ Avant d'insérer l'accu dans l'appareil, s'assurer que les contacts de l'accu et les contacts sur le produit sont exempts de corps étrangers.
 - ▶ S'assurer que l'accu s'encliquette toujours correctement.
-
1. L'accu doit être entièrement chargé avant la première mise en service.
 2. Insérer l'accu dans l'appareil jusqu'à ce qu'il s'encliquette avec un clic audible.
 3. Vérifier que l'accu est bien en place.

5.3 Retrait de l'accu

1. Appuyer sur les boutons de déverrouillage de l'accu.
2. Retirer l'accu hors de l'appareil.

5.4 Montage de la douille (outil) 2

ATTENTION

Risque de blessures à cause d'un outil inadéquat !

- ▶ Utiliser exclusivement des outils avec possibilité de verrouillage.
- ▶ Ne pas utiliser d'outils usés ou endommagés.

ATTENTION

Risque de blessures dues à un système de retenue usé ou endommagé

- ▶ Ne pas utiliser de bague de retenue usée ou endommagée.
-
1. Mettre l'inverseur du sens de rotation droite / gauche sur la position médiane ou sortir l'accu de l'appareil.
 2. Placer la douille sur le carré d'entraînement de l'appareil.



Orienter la douille de sorte que le trou du logement de la douille coïncide avec le trou dans le carré d'entraînement.

3. Si la condition suivante est remplie, procéder de plus à cette action :

Conditions: En cas d'utilisation du joint torique et de la goupille de blocage.

- ▶ Sortir le joint torique de la rainure de la douille. Insérer la goupille de blocage dans le trou de la douille et du carré d'entraînement. Réinsérer ensuite le joint torique dans la rainure de la douille.

4. Si la condition suivante est remplie, procéder de plus à cette action :

Conditions: En cas d'utilisation de la bague de retenue.

- ▶ Insérer la bague de retenue dans la douille.

5.5 Démontage de la douille (outil) 3

1. Mettre l'inverseur du sens de rotation droite / gauche sur la position médiane ou sortir l'accu de l'appareil.
2. Retirer la bague de retenue ou le joint torique avec goupille de verrouillage de la douille.
3. Enlever la douille du carré d'entraînement de l'appareil.



5.6 Montage de la patte d'accrochage (en option)

AVERTISSEMENT

Risque de blessures Danger engendré par la chute de l'appareil.

- ▶ Une chute de l'appareil pourrait vous mettre en danger ou mettre en danger d'autres personnes. Avant de commencer à travailler, vérifier que la patte d'accrochage à la ceinture est bien fixée.

Cette patte permet d'accrocher l'appareil à la ceinture le long du corps. La patte d'accrochage peut être montée à droite ou à gauche selon le côté sur lequel l'appareil doit être porté.

1. Retirer l'accu. → Page 18
2. Insérer la patte d'accrochage dans l'ouverture prévue à cet effet à la base du produit.
3. Fixer la patte d'accrochage à la ceinture à l'aide des deux vis.

5.7 Montage de la sécurité anti-chute Hilti (en option)

ATTENTION

Risque d'endommagement du produit et/ou du harnais. Il y a risque d'endommagement du produit et / ou du harnais en cas de maniement non conforme.

- ▶ Ne pas utiliser de chaîne métallique en tant que harnais. Ne pas utiliser de harnais d'une longueur supérieure à 2,0 m (6 ft).

Pour éviter tout endommagement lors des travaux en hauteur, il est recommandé d'utiliser une sécurité anti-chute **Hilti**.

La sécurité anti-chute permet de fixer des câbles d'ancrage/élingues.

Les directives nationales en vigueur applicables aux travaux en hauteur doivent être respectées lorsque le produit est utilisé.

1. Retirer l'accu. → Page 18
2. Faire passer les deux attaches de la sécurité anti-chute dans les fentes se trouvant des deux côtés du pied de l'appareil.
3. Fixer la sécurité anti-chute avec les vis correspondantes.
4. Mettre l'accu en place. → Page 18

6 Travail

6.1 Sélection du sens de rotation droite / gauche

En position médiane, l'inverseur du sens de rotation droite / gauche sert de blocage anti-démarrage.

- ▶ Mettre l'inverseur du sens de rotation droite / gauche sur la rotation vers la droite ou vers la gauche.

6.2 Mise en marche

- ▶ Appuyer sur le variateur électronique de vitesse.
 - ↳ La vitesse de rotation peut être réglée en faisant varier la profondeur d'enfoncement.

Ne pas surcharger le produit. En cas de dégagement important de chaleur, laisser le produit refroidir quelques minutes.

6.3 Arrêt

- ▶ Relâcher le variateur électronique de vitesse.



7 Nettoyage et entretien

AVERTISSEMENT

Risque de blessures lorsque l'accu est inséré !

- ▶ Toujours retirer l'accu avant tous travaux de nettoyage et d'entretien !
-

Entretien de l'appareil

- Éliminer prudemment les saletés récalcitrantes.
- Nettoyer les ouïes d'aération avec précaution au moyen d'une brosse sèche.
- Nettoyer le boîtier uniquement avec un chiffon légèrement humidifié. Ne pas utiliser de nettoyeurs à base de silicone, ceci pourrait attaquer les pièces en plastique.

Entretien des accus Li-ion

- Veiller à ce que l'accu soit toujours propre et exempt de traces de graisse et d'huile.
- Nettoyer le boîtier uniquement avec un chiffon légèrement humidifié. Ne pas utiliser de nettoyeurs à base de silicone, ceci pourrait attaquer les pièces en plastique.
- Éviter toute pénétration d'humidité.

Entretien

- Vérifier régulièrement qu'aucune pièce visible n'est endommagée et que les organes de commande sont parfaitement opérationnels.
 - En cas d'endommagements et/ou de dysfonctionnements, ne pas utiliser le produit. Le faire immédiatement réparer par le S.A.V. **Hilti**.
 - Après des travaux de nettoyage et d'entretien, vérifier si tous les équipements de protection sont bien en place et fonctionnent parfaitement.
-



Pour une utilisation en toute sécurité, utiliser uniquement des pièces de rechange et consommables d'origine. Vous trouverez les pièces de rechange, consommables et accessoires autorisés convenant pour votre produit dans le centre **Hilti Store** ou sous : www.hilti.group.

8 Transport et stockage des appareils sur accu

Transport

ATTENTION

Mise en marche inopinée lors du transport !

- ▶ Toujours retirer les accus avant de transporter les produits !
- ▶ Retirer les accus.
- ▶ Ne jamais transporter les accus en vrac.
- ▶ Avant toute utilisation consécutive à un transport prolongé de l'appareil et des accus, toujours vérifier qu'ils ne sont pas endommagés.

Stockage

ATTENTION

Endommagement involontaire du fait d'accus défectueux ou de chute d'accu !

- ▶ Toujours retirer les accus avant de stocker les produits !
- ▶ Stocker l'appareil et les accus si possible au frais et au sec.
- ▶ Ne jamais stocker les accus exposés au soleil, sur des installations de chauffage ou derrière des vitres.
- ▶ Stocker l'appareil et les accus hors de portée des enfants et des personnes non autorisées.
- ▶ Avant toute utilisation consécutive à un stockage prolongé de l'appareil et des accus, toujours vérifier qu'ils ne sont pas endommagés.

9 Aide au dépannage

En cas de défaillances non énumérées dans ce tableau ou auxquelles il n'est pas possible de remédier sans aide, contacter le S.A.V. **Hilti**.



9.1 Aide au dépannage

En cas de défaillances non énumérées dans ce tableau ou auxquelles il n'est pas possible de remédier sans aide, contacter le S.A.V. **Hilti**.

Défaillance	Causes possibles	Solution
L'appareil ne se met pas en marche.	1 LED clignote : L'accu est vide.	► Sortir l'accu et le charger.
	L'accu n'est pas correctement mis en place.	► L'accu doit s'encliqueter pas de manière audible. Sortir l'accu et le remettre en place.
	1 LED clignote : L'accu est trop chaud ou trop froid.	► Laisser l'accu refroidir ou se réchauffer à la température de service.
	4 LED clignent : Surcharge momentanée de l'appareil	► Relâcher le variateur électronique de vitesse et l'actionner à nouveau.
Impossible d'actionner l'interrupteur de commande.	Inverseur du sens de rotation droite / gauche sur la position médiane.	► Pousser l'inverseur du sens de rotation droite / gauche vers la gauche ou la droite.
La vitesse de rotation est fortement réduite.	L'accu est déchargé.	► Sortir l'accu et le charger.
L'accu ne s'encliquette pas de manière audible.	Ergots d'encliquetage encrassés sur l'accu.	► Nettoyer les ergots d'encliquetage.
L'accu se vide plus rapidement qu'à la normale.	Température ambiante très basse.	► Laisser l'accu se réchauffer lentement à la température ambiante.

10 Recyclage

Les appareils **Hilti** sont fabriqués pour une grande partie en matériaux recyclables. Le recyclage présuppose un tri adéquat des matériaux. **Hilti** reprend les appareils usagés dans de nombreux pays en vue de leur recyclage. Consulter le service clients **Hilti** ou un conseiller commercial.

Élimination des accus

Une élimination non conforme des accus peut produire des émanations de gaz et de liquides nocives pour la santé.

- Ne pas envoyer ni expédier d'accus endommagés !
- Recouvrir les raccordements avec un matériau non conducteur pour éviter tout court-circuit.
- Éliminer les accus en veillant à ce qu'ils soient hors de la portée des enfants.
- Éliminer l'accu en le déposant auprès du **Hilti Store** local ou s'adresser à l'entreprise de collecte des déchets compétente.



- Ne pas jeter les appareils électriques, électroniques et accus dans les ordures ménagères !

11 RoHS (directive relative à la limitation d'utilisation des substances dangereuses)

Le tableau des substances dangereuses est accessible au moyen du lien suivant : qr.hilti.com/r4838535. Vous trouverez à la fin de cette documentation, sous forme de code QR, un lien menant au tableau RoHS.

12 Garantie constructeur

- En cas de questions sur les conditions de garantie, veuillez vous adresser à votre partenaire **Hilti** local.



1 Oplysninger vedrørende dokumentationen

1.1 Vedrørende denne dokumentation

- Læs denne dokumentation igennem før ibrugtagning. Det er en forudsætning for sikkert arbejde og korrekt håndtering.
- Følg sikkerheds- og advarselshenvisningerne i denne dokumentation og på produktet.
- Opbevar altid brugsanvisningen sammen med produktet, og overdrag det kun til andre personer sammen med denne anvisning.

1.2 Tegnforklaring

1.2.1 Advarsler

Advarsler advarer mod farer ved håndtering af produktet. Følgende signalord anvendes:



FARE

FARE !

- ▶ Betegner en umiddelbart truende fare, der kan medføre alvorlige kvæstelser eller døden.



ADVARSEL

ADVARSEL !

- ▶ Står ved en potentielt truende fare, der kan medføre alvorlige kvæstelser eller døden.



FORSIGTIG

FORSIGTIG !

- ▶ Betegner en potentielt farlig situation, der kan forårsage lettere personskader eller materielle skader.

1.2.2 Symboler i denne dokumentation

Følgende symboler anvendes i denne dokumentation:

	Læs brugsanvisningen før brug
	Anvisninger for anvendelse og andre nyttige oplysninger
	Håndtering af genvindbare materialer
	Elektriske maskiner og batterier må ikke bortskaffes som almindeligt husholdningsaffald

1.2.3 Symboler i illustrationer

Følgende symboler anvendes på illustrationer:

	Disse tal henviser til de forskellige illustrationer i begyndelsen af brugsanvisningen
	Nummereringen udtrykker arbejdsstrinnenes rækkefølge på illustrationen og kan afvige fra arbejds-trinnene i teksten
	Positionsnumre anvendes i illustrationen Oversigt og refererer til tallene i symbolforklaringen i afsnittet Produktoversigt
	Dette symbol skal sikre skærpet opmærksomhed ved omgang med produktet.

1.3 Produktspecifikke symboler

1.3.1 Symboler på produktet

Følgende symboler kan forekomme på produktet:

	Trådløs dataoverførsel
--	------------------------



	Anvendt HilTI lithium-ion-batteriserie. Overhold oplysningerne i kapitlet Tilsigtet anvendelse .
	Kapslingsklasse II (dobbelisoleret)
n_0	Nominelt omdrejningstal ubelastet
/min	Omdrejninger pr. minut

1.4 Produktplysninger

HILTI-produkter er beregnet til professionel brug og må kun betjenes, efteres og vedligeholdes af autoriseret og instrueret personale. Dette personale skal i særdeleshed informeres om de potentielle farer, der er forbundet med anvendelsen af denne maskine. Der kan opstå farlige situationer ved anvendelse af produktet og det tilhørende udstyr, hvis det anvendes af personer, der ikke er blevet undervist i dens brug, eller hvis det ikke anvendes korrekt i henhold til forskrifterne i denne brugsanvisning.

Typebetegnelse og serienummer fremgår af typeskiltet.

- ▶ Notér serienummeret i den efterfølgende tabel. Du skal bruge produktplysningerne ved henvendelser til vores lokale afdeling eller vores serviceværksted.

Produktplysninger

Batteridrevet slagskruemaskine	SIW 9-A22
Generation:	01
Serienummer:	

1.5 Overensstemmelseserklæring

Vi erklærer som eneansvarlige, at det beskrevne produkt er i overensstemmelse med gældende direktiver og standarder. Sidst i dette dokument finder du et billede af overensstemmelseserklæringen.

Den tekniske dokumentation er arkiveret her:

HilTI Entwicklungsgesellschaft mbH | Zulassung Geräte | Hiltistraße 6 | 86916 Kaufering, DE

2 Sikkerhed

2.1 Generelle sikkerhedsanvisninger for elværktøj

⚠ ADVARSEL Læs alle sikkerhedsanvisninger, henvisninger, billedtekster og tekniske data på elværktøjet. Hvis følgende anvisninger ikke overholdes, er der risiko for elektrisk stød, brand og/eller alvorlige personskader.

Opbevar alle sikkerhedsanvisninger og instruktioner til senere brug.

Det benyttede begreb "elværktøj" i sikkerhedsanvisningerne refererer til elektriske maskiner (med netledning) eller batteridrevne maskiner (uden netledning).

Arbejdspladssikkerhed

- ▶ **Sørg for at holde arbejdsområdet ryddeligt og godt oplyst.** Uorden eller uoplyste arbejdsområder øger faren for uheld.
- ▶ **Brug ikke elværktøj i eksplosionstruede omgivelser, hvor der er brændbare væsker, gasser eller støv.** Elværktøj kan slå gnister, der kan tændte støv eller dampe.
- ▶ **Sørg for, at andre personer og ikke mindst børn holdes væk fra arbejdsområdet, når elværktøjet er i brug.** Hvis man distraheres, kan man miste kontrollen over maskinen.

Elektrisk sikkerhed

- ▶ **Elværktøjets stik skal passe til kontakten. Stikket må under ingen omstændigheder ændres. Brug ikke adapterstik sammen med jordforbundne elværktøj.** Uændrede stik, der passer til kontakterne, nedsætter risikoen for elektrisk stød.
- ▶ **Undgå kropskontakt med jordforbundne overflader som f.eks. rør, radiatorer, komfurer og køleskabe.** Hvis din krop er jordforbundet, øges risikoen for elektrisk stød.
- ▶ **Elværktøj må ikke udsættes for regn eller fugt.** Indtrængning af vand i elværktøj øger risikoen for elektrisk stød.
- ▶ **Brug ikke ledningen til formål, den ikke er beregnet til (f.eks. må man aldrig bære elværktøjet i ledningen, hænge det op i ledningen eller rykke i ledningen for at trække stikket ud af kontakten). Beskyt ledningen mod varme, olie, skarpe kanter eller dele, der er i bevægelse.** Beskadede eller sammenviklede ledninger øger risikoen for elektrisk stød.



2113750

- ▶ Hvis elværktøjet benyttes i det fri, må der kun benyttes en forlængerledning, der er egnet til udendørs brug. Brug af forlængerledning til udendørs brug nedsætter risikoen for elektrisk stød.
- ▶ Hvis det ikke kan undgås at anvende elværktøjet i fugtige omgivelser, skal du anvende et fejlstømsrelæ. Anvendelsen af et fejlstømsrelæ nedsætter risikoen for et elektrisk stød.

Personlig sikkerhed

- ▶ Det er vigtigt at være opmærksom, se, hvad man laver, og bruge maskinen fornuftigt. Anvend aldrig elværktøj, hvis du er træt eller påvirket af stoffer, alkohol eller medicin. Et øjeblikvis uopmærksomhed under brugen af elværktøjet kan medføre alvorlige personskader.
- ▶ Brug beskyttelsesudstyr, og hav altid beskyttelsesbriller på. Brug af sikkerhedsudstyr som f.eks. støvmaske, skridsikert fodtøj, beskyttelseshjelm eller høreværn afhængigt af elværktøjets type og anvendelse nedsætter risikoen for personskader.
- ▶ Undgå utilsigtet igangsætning. Kontrollér, at elværktøjet er frakoblet, før du slutter det til strømforsyningen og/eller batteriet, tager det op eller transporterer det. Undgå at bære elværktøjet med fingeren på afbryderen, og sørg for, at det ikke er tændt, når det slutes til nettet, da dette øger risikoen for personskader.
- ▶ Fjern indstillingsværktøj eller skruenøgler, inden elværktøjet tændes. Hvis et stykke værktøj eller en nøgle sidder i en roterende maskindel, er der risiko for personskader.
- ▶ Undgå at arbejde i unormale kropstillinger. Sørg for at stå sikkert, mens der arbejdes, og kom ikke ud af balance. Det er derved nemmere at kontrollere elværktøjet, hvis der skulle opstå uventede situationer.
- ▶ Brug egnet arbejdstøj. Undgå løse beklædningsgenstande eller smykker. Hold hår, tøj og handsker væk fra dele, der bevæger sig. Dele, der er i bevægelse, kan gribe fat i løstsiddende tøj, smykker eller langt hår.
- ▶ Hvis støvudsugnings- og opsamlingsudstyr kan monteres, er det vigtigt, at dette tilsluttes og benyttes korrekt. Ved at anvende en støvudsugning er det muligt at nedsætte risikoen som følge af støv.
- ▶ Man må ikke ignorere sikkerhedsreglerne for elværktøj, heller ikke selvom man er fortrolig med brugen af elværktøjet. Uagtsomhed kan medføre alvorlig tilskadekomst inden for få sekunder.

Anvendelse og pleje af elværktøjet

- ▶ Undgå at overbelaste maskinen. Brug altid en maskine, der er beregnet til det stykke arbejde, der skal udføres. Med det rigtige værktøj arbejder man bedst og mest sikkert inden for det angivne effektområde.
- ▶ Brug ikke elværktøj, hvis afbryderen er defekt. En maskine, der ikke kan startes og stoppes, er farlig og skal repareres.
- ▶ Træk stikket ud af stikkontakten, og/eller fjern batteriet fra maskinen, inden du foretager indstillinger på den, skifter tilbehør og dele eller lægger den til side. Disse sikkerhedsforanstaltninger forhindrer utilsigtet start af elværktøjet.
- ▶ Opbevar ubenyttede elværktøjer uden for børns rækkevidde. Lad aldrig personer, der ikke er fortrolige med maskinen eller ikke har gennemlæst sikkerhedsanvisningerne, benytte denne. Elværktøj er farligt, hvis det benyttes af ukyndige personer.
- ▶ Sørg for at pleje elværktøj omhyggeligt. Kontrollér, om bevægelige dele fungerer korrekt og ikke sidder fast, og om delene er brækket eller beskadiget, således at elværktøjets funktion påvirkes. Få beskadigede dele repareret, inden elværktøjet tages i brug. Mange uheld skyldes dårligt vedligeholdte elværktøjer.
- ▶ Sørg for, at skæreværktøjer er skarpe og rene. Omhyggeligt vedligeholdte skæreværktøjer med skarpe skærekanter sætter sig ikke så hurtigt fast og er nemmere at føre.
- ▶ Anvend elværktøj, tilbehør, indsatsværktøj osv. i overensstemmelse med disse anvisninger. Tag hensyn til arbejdsforholdene og det arbejde, der skal udføres. I tilfælde af anvendelse af maskinen til formål, som ligger uden for det fastsatte anvendelsesområde, kan der opstå farlige situationer.
- ▶ Sørg for, at greb og gribeflader er tørre, rene og fri for olie og fedt. Glatte greb og gribeflader gør betjeningen usikker, og det kan være svært at styre elværktøjet i uforudsete situationer.

Anvendelse og pleje af batteridrevet elværktøj

- ▶ Oplad kun batterier i ladere, der er anbefalet af fabrikanten. Der er risiko for brand, hvis en lader, der er beregnet til et bestemt batteri, anvendes til opladning af en anden batteritype.
- ▶ Brug kun de batterier, der er beregnet til elværktøjet. Brug af andre batterier øger risikoen for personskader og er forbundet med brandfare.
- ▶ Ikke benyttede batterier må ikke komme i berøring med kontorclips, mønter, nøgler, søm, skruer eller andre små metalgenstande, da disse kan kortslutte kontakterne. En kortslutning mellem batterikontakterne øger risikoen for personskader i form af forbrændinger.



- ▶ **Hvis batteriet anvendes forkert, kan der løbe væske ud af batteriet. Undgå at komme i kontakt med denne væske. Hvis det alligevel skulle ske, skylles med vand. Sørg læge, hvis væsken kommer i øjnene.** Batterivæske kan give hudirritation eller forbrændinger.
- ▶ **Brug aldrig et beskadiget eller ændret batteri.** Beskadigede eller ændrede batterier kan virke utilsigtet og medføre brand, eksplosion eller risiko for tilskadekomst.
- ▶ **Batterier må ikke udsættes for åben ild eller høje temperaturer.** Ild eller temperaturer over 130 °C (265 °F) kan medføre eksplosion.
- ▶ **Følg alle anvisninger vedrørende opladning, og oplad aldrig batteriet eller det batteridrevne værktøj uden for det temperaturområde, der er anført i betjeningsvejledningen.** Forkert opladning eller opladning uden for det tilladte temperaturområde kan ødelægge batteriet og øge risikoen for brand.

Service

- ▶ **Sørg for, at elværktøjet kun reparerer af kvalificerede fagfolk, og at der altid benyttes originale reservedele.** Dermed sikres størst mulig elværktøjssikkerhed.
- ▶ **Forsøg aldrig at reparere beskadigede batterier.** Al vedligeholdelse af batterier skal foretages af producenten eller af autoriserede forhandlere.

2.2 Yderligere sikkerhedsanvisninger for skruemaskinen

Personlig sikkerhed

- ▶ Anvend kun produktet i teknisk fejlfri stand.
- ▶ Foretag aldrig manipulationer eller ændringer på maskinen.
- ▶ Brug de ekstrahåndgreb, som følger med maskinen. Hvis du mister kontrollen, kan det medføre personskader.
- ▶ Hold altid maskinen med begge hænder på de dertil beregnede håndtag. Sørg for, at håndgrebene er tørre og rene.
- ▶ Hold maskinen på de isolerede grebsflader, når du udfører opgaver, hvor indsatsværktøjet kan ramme skjulte strømledninger. Ved kontakt med en spændingsførende ledning kan også metalliske værktøjsdele sættes under spænding, hvilket kan medføre elektrisk stød.
- ▶ Undgå berøring af roterende dele - fare for personskader!
- ▶ Anvend egnede beskyttelsesbriller, sikkerhedshjelm, høreværn, beskyttelseshandsker og et let åndedrætsværn under brugen af maskinen.
- ▶ Brug også beskyttelseshandsker, når du skifter værktøj. Berøring af indsatsværktøjet kan medføre snitsår og forbrændinger.
- ▶ Brug øjenværn. Splinterne fra materialet kan medføre skader på legeme og øjne.
- ▶ Find ud af, hvilken fareklasse det støv, der opstår ved arbejdet, har, inden du går i gang med arbejdet. Anvend en industristøvsuger med en officielt tilladt beskyttelsesklassificering, som opfylder de lokale støvbeskyttelsesbestemmelser. Støv fra materialer såsom blyholdig maling, visse træsorter, beton / murværk / natursten, som indeholder kvarts, og mineraler samt metal kan være sundhedsfarlige.
- ▶ Sørg for en god ventilation af arbejdspladsen, og brug om nødvendigt et åndedrætsværn, som egner sig til den pågældende støvtype. Berøring eller indånding af støv kan medføre allergiske reaktioner og/eller luftvejssygdomme hos brugeren eller personer, der opholder sig i nærheden. Bestemte støvtyper, f.eks. støv fra ege- og bøgetræ, er kræftfremkaldende, især i forbindelse med tilsætningsstoffer til træbehandling (kromat, træbeskyttelsesmidler). Asbestholdige materialer må kun håndteres af fagfolk.
- ▶ Hold pauser under arbejdet, og lav øvelser, så dine fingre får en bedre blodgennemstrømning. Ved længerevarende arbejde kan vibrationer medføre forstyrrelser af fingrenes, hændernes eller håndledenes blodkar og nervesystem.

Elektrisk sikkerhed

- ▶ Kontrollér før påbegyndelse af arbejdet arbejdsområdet for skjulte elektriske ledninger, gas- og vandrør, f.eks. med en metaldetektor. Udvendige metaldele på maskinen kan medføre elektrisk stød, hvis du ved en fejl kommer til at beskadige en elledning.

Omhyggelig omgang med og brug af elværktøj

- ▶ Sluk omgående elværktøjet, når værktøjet er blokeret. Maskinen kan trække til siden.
- ▶ Vent, indtil elværktøjet er standset helt, før du lægger det fra dig.

2.3 Omhyggelig omgang med og brug af batterier

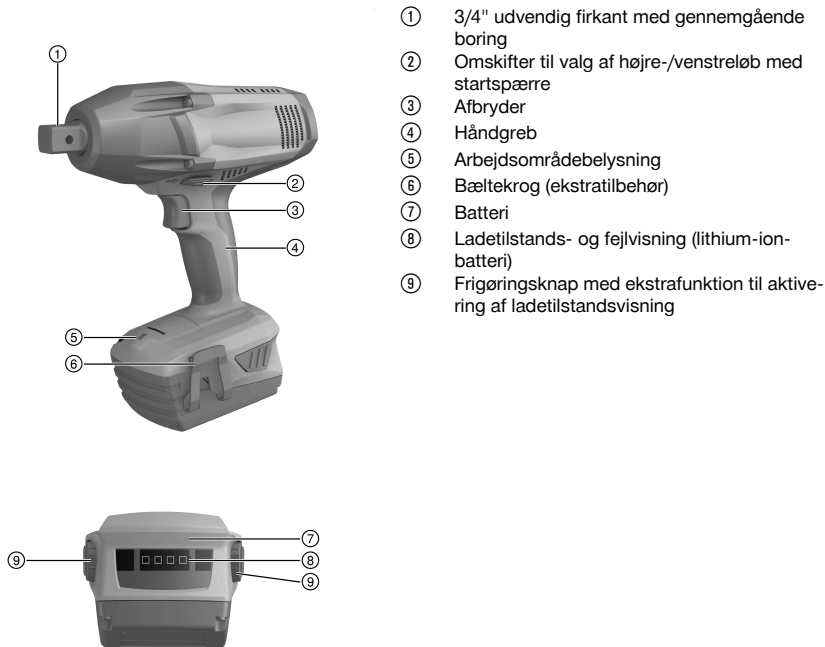
- ▶ Læs de særlige retningslinjer for transport, opbevaring og brug af lithium-ion-batterier.
- ▶ Hold batterier på sikker afstand af høje temperaturer, direkte solindstråling og ild.
- ▶ Batterierne må ikke adskilles, klemmes, opvarmes til over 80 °C eller brændes.



- ▶ Anvend og oplad ikke batterier, som har fået et slag, er faldet på gulvet fra mere end en meters højde eller på anden vis er blevet beskadiget. Kontakt i så fald altid **Hilti Service**.
- ▶ Hvis batteriet er for varmt til at kunne røres, kan det være defekt. Placer produktet på et ikke-brændbart sted i tilstrækkelig afstand til brændbare materialer, hvor det er muligt at holde øje med det, og lad det køle af. Kontakt i så fald altid **Hilti Service**.

3 Beskrivelse

3.1 Produktoversigt



3.2 Bestemmelsesmæssig anvendelse

Det beskrevne produkt er en håndført batteridrevet slagskruemaskine. Den er beregnet til fastspænding og løsning af møtrikker, bolte, ankre og træskruer. Værktøjsopspændingen sker via en udvendig firkant med gennemgående boring.

Slagskruemaskinen må kun anvendes til opgaver, der ikke kræver et præcist/specificeret drejningsmoment. I modsat fald er der fare for at dreje skruen over eller at beskadige skruen eller emnet.

- ▶ Anvend kun **Hilti** Li-Ion-batterier i typeserien B 22 til dette produkt.
- ▶ Anvend kun **Hilti** ladere i C4/36-serien til disse batterier.

3.3 Leveringsomfang

Slagboremaskine, brugsanvisning.

Anvend kun originale reservedele og forbrugsmaterialer af hensyn til en sikker drift. Reservedele, forbrugsmaterialer og tilbehør til dit produkt, som vi har godkendt, finder du i dit **Hilti Store Center** eller under: **www.hilti.group** | USA: **www.hilti.com**



3.4 Visning af lithium-ion-batteriet

Lithium-ion-batteriets ladetilstand og fejl på maskinen signaleres via lithium-ion-batteriets indikator. Lithium-ion-batteriets ladetilstand vises efter berøring af de to batterifrigøringsknapper.

Tilstand	Betydning
4 lysdioder.	Ladetilstand: 75 % til 100 %
3 lysdioder lyser.	Ladetilstand: 50 % til 75 %
2 lysdioder lyser.	Ladetilstand: 25 % til 50 %
1 lysdiode lyser.	Ladetilstand: 10 % til 25 %
1 lysdiode blinker, maskinen er klar til brug.	Ladetilstand: < 10 %
1 lysdiode blinker, maskinen er ikke klar til brug.	Batteriet er overophedet.
4 lysdioder blinker, maskinen er ikke klar til brug.	Maskinen er overbelastet eller overophedet.

i Når afbryderen er aktiveret, og op til 5 sekunder efter at afbryderen er sluppet, er det ikke muligt at få vist ladetilstanden. Hvis lysdioderne på batteriets indikator blinker, henvises til beskrivelsen i kapitlet Fejlafhjælpning.

4 Tekniske data

4.1 Slagskruemaskine

Nominal spænding	21,6 V _{DC}
Vægt i henhold til EPTA-procedure 01	3,6 kg
Nom. omdrejningstal ubelastet	1.400/min
Slagfrekvens	2.200/min
Omgivende temperatur under drift	-17 °C ... 60 °C
Opbevaringstemperatur	-20 °C ... 70 °C

4.2 Batteri

Batteridriftsspænding	21,6 V
Omgivende temperatur under drift	-17 °C ... 60 °C
Opbevaringstemperatur	-20 °C ... 40 °C
Batteriets temperatur ved start af ladning	-10 °C ... 45 °C

4.3 Støjinformation og vibrationsværdier iht. EN 60745

Lydtryk- og vibrationsværdier i denne brugsanvisning er målt i henhold til en standardiseret målemetode og kan anvendes til sammenligning af forskellige elværktøjer. De kan også anvendes til en foreløbig vurdering af den eksponering, brugeren udsættes for. De anførte data repræsenterer elværktøjets primære anvendelsesformål. Hvis elværktøjet imidlertid anvendes til andre formål, med andre indsatsværktøjer eller utilstrækkelig vedligeholdelse, kan dataene afvige. Dette kan forøge den eksponering, som brugeren udsættes for, i hele arbejdstiden markant. For at opnå en præcis vurdering af den eksponering, som brugeren udsættes for, bør også den tid, hvor maskinen er slukket eller blot kører uden at blive anvendt, inddrages. Dette kan reducere den eksponering, som brugeren udsættes for, i hele arbejdstiden markant. Fastlæg yderligere sikkerhedsforanstaltninger til beskyttelse af brugeren mod støj- og/eller vibrationspåvirkninger, f.eks. er det vigtigt at vedligeholde elværktøj og indsatsværktøj, at holde hænderne varme og at organisere arbejdsprocesserne.

Støjemissionsværdier

Lydtrykniveau (L _{PA})	98,5 dB(A)
Usikkerhed, lydtrykniveau (K _{PA})	3 dB(A)
Lydeffektniveau (L _{WA})	109,5 dB(A)
Usikkerhed, lydeffektniveau (K _{WA})	3 dB(A)



Samlede vibrationsværdier

Vibrationsemissionsværdi, tilspænding af skruer og møtrikker af maksimalt tilladt størrelse (a _v)	7 m/s ²
Usikkerhed (K)	1,5 m/s ²

5 Forberedelse af arbejdet**5.1 Opladning af batteri**

1. Læs brugsanvisningen til laderen før opladning.
2. Vær opmærksom på, at kontakterne på batteriet og laderen er rene og tørre.
3. Oplad batteriet i en godkendt lader.

5.2 Isætning af batteri**⚠ FORSIGTIG****Fare for personskader på grund af kortslutning eller batteri, der falder på gulvet!**

- ▶ Før isætning af batteriet skal du kontrollere, at batteriets kontakter og kontakterne på produktet er fri for fremmedlegemer.
- ▶ Kontrollér, at batteriet altid går korrekt i indgreb.

1. Lad batteriet helt op før første ibrugtagning.
2. Sæt batteriet i maskinholderen, indtil det går hørbart i indgreb.
3. Kontrollér, at batteriet er sat korrekt i.

5.3 Fjernelse af batteri

1. Tryk på batteriets frigøringsknapper.
2. Træk batteriet ud af holderen.

5.4 Montering af top (værktøj) 2**⚠ FORSIGTIG****Fare for personskader på grund af forkert værktøj!**

- ▶ Anvend udelukkende låsbare værktøjer.
- ▶ Anvend aldrig slidte eller beskadigede værktøjer

⚠ FORSIGTIG**Fare for personskader på grund af slidt eller beskadiget låsering**

- ▶ Anvend aldrig en slidt eller beskadiget låsering

1. Sæt omskifteren til valg af højre-/venstreløb i midterposition, eller tag batteriet ud af maskinen.
2. Sæt toppen på maskinens firkant.



Juster toppen, så boringen i toppens holder flugter med boringen i firkanten.

3. Hvis følgende betingelse er opfyldt, skal du desuden udføre denne handling:

Betingelser: Ved anvendelse af O-ring og sikkerhedsstift.

- ▶ Tag O-ringen ud af noten i toppen. Sæt sikkerhedsstiften i boringen på toppen og firkanten. Sæt derefter O-ringen i noten på toppen igen.



4. Hvis følgende betingelse er opfyldt, skal du desuden udføre denne handling:

Betingelser: Ved anvendelse af låsering.

- ▶ Sæt låseringen i toppen.

5.5 Afmontering af top (værktøj) 3

1. Sæt omskifteren til valg af højre-/venstreløb i midterposition, eller tag batteriet ud af maskinen.
2. Tag låseringen eller O-ringen inklusive sikkerhedsstiften ud af toppen.
3. Tag toppen af maskinens firkant.

5.6 Montering af bæltekrog (ekstratilbehør) 4

ADVARSEL

Fare for personskader Fare på grund af maskine, der falder på gulvet.

- ▶ En maskine, som falder på gulvet, kan være til fare for dig selv og andre. Kontrollér før arbejdets begyndelse, at bæltekrogen er sikkert fastgjort.

Med bæltekrogen kan du fastgøre maskinen i bæltet tæt på kroppen. Bæltekrogen kan monteres i både højre og venstre side.

1. Fjern batteriet. → Side 28
2. Sæt bæltekrogen ind i den dertil beregnede åbning for enden af produktet.
3. Fastgør bæltekrogen med de to skruer.

5.7 Montering af Hilti faldsikring (ekstratilbehør) 5

VIGTIGT

Beskadigelse af produktet og/eller faldlinen. Ukorrekt håndtering kan medføre beskadigelse af produktet og/eller faldlinen.

- ▶ Anvend ikke metalkæder som faldline. Anvend ikke faldliner, som er længere end 2,0 m (6 ft).

Til forebyggelse af skader anbefales det at anvende **Hilti** faldsikringen ved opgaver i højden. Faldsikringen muliggør fastgørelse af holdereb/holderemme. Nationale retningslinjer for opgaver udført i højden skal altid overholdes under arbejdet med produktet.

1. Fjern batteriet. → Side 28
2. Indfør faldsikringens to lasker i de slidser, der befinder sig i begge sider af værktøjets fod.
3. Fastgør faldsikringen med de tilhørende skruer.
4. Sæt batteriet i. → Side 28

6 Arbejde

6.1 Indstilling af højre-/venstreløb 5

I midterposition fungerer omskifteren til valg af højre-/venstreløb som startspærre.

- ▶ Sæt omskifteren til højre-/venstreløb på højreløb eller venstreløb.

6.2 Tænding

- ▶ Tryk på afbryderen.
 - ↳ Omdrejningstallet kan reguleres, alt efter hvor meget afbryderen trykkes ind.

Undgå at overbelaste produktet. Lad produktet køle af nogle minutter ved kraftig varmeudvikling.



6.3 Frakobling

- ▶ Slip afbryderen.

7 Rengøring og vedligeholdelse

ADVARSEL

Fare for personskader ved isat batteri !

- ▶ Fjern altid batteriet før alle pleje- og vedligeholdelsesarbejder!

Pleje af produktet


- Fjern forsigtigt fastsiddende snavs.
- Rengør forsigtigt ventilationsåbningerne med en tør børste.
- Rengør kun kabinettet med en let fugtet klud. Undlad at anvende silikoneholdige plejemidler, da de kan angribe plastdelene.

Pleje af lithium-ion-batterier

- Sørg for at holde batteriet tørt og fri for olie og fedt.
- Rengør kun kabinettet med en let fugtet klud. Undlad at anvende silikoneholdige plejemidler, da de kan angribe plastdelene.
- Undgå indtrængen af fugt.

Vedligeholdelse

- Kontrollér regelmæssigt alle synlige dele for skader, og at betjeningselementerne fungerer fejlfrit.
- Anvend ikke produktet i tilfælde af beskadigelse og/eller funktionsfejl. Få omgående udført reparation hos **Hilti Service**.
- Monter alle beskyttelsesanordninger efter pleje- og vedligeholdelsesarbejder, og kontrollér dem for funktion.

 Anvend kun originale reservedele og forbrugsmaterialer af hensyn til en sikker drift. Reservedele, forbrugsmaterialer og tilbehør til dit produkt, som vi har godkendt, finder du i dit **Hilti Store Center** eller under: www.hilti.group.

8 Transport og opbevaring af batteridrevne maskiner

Transport

FORSIGTIG

Utilsigtet start ved transport !

- ▶ Transportér altid dine produkter uden isat batteri!
- ▶ Tag batteriet ud.
- ▶ Transportér aldrig batterier liggende løst og ubeskyttet.
- ▶ Kontrollér maskine og batterier for skader før ibrugtagning efter længere transport.

Opbevaring

FORSIGTIG

Utilsigtet beskadigelse på grund af defekte eller utætte batterier !

- ▶ Opbevar altid dine produkter uden isat batteri!
- ▶ Opbevar maskine og batterier så køligt og tørt som muligt.
- ▶ Opbevar aldrig batterier i direkte sollys, på radiatorer eller i et vindue.
- ▶ Opbevar maskine og batterier utilgængeligt for børn og uvedkommende personer.
- ▶ Kontrollér maskine og batterier for skader før ibrugtagning efter længere tids opbevaring.

9 Fejlafhjælpning

Ved fejl, som ikke fremgår af denne tabel, eller som du ikke selv kan afhjælpes, beder vi dig om at kontakte **Hilti Service**.



9.1 Fejlafhjælpning

Ved fejl, som ikke fremgår af denne tabel, eller som du ikke selv kan afhjælpne, beder vi dig om at kontakte **Hilti Service**.

Fejl	Mulig årsag	Løsning
Maskinen starter ikke.	1 lysdiode blinker: Batteriet er fladt.	► Tag batteriet ud, og lad det op.
	Batteriet er ikke sat korrekt i.	► Batteriet skal gå hørbart i indgreb. Tag batteriet ud en gang til, og sæt det i igen.
	1 lysdiode blinker: Batteriet er for varmt eller for koldt.	► Lad batteriet køle af/varme op til driftstemperatur.
	4 lysdioder blinker: Maskinen er kortvarigt overbelastet	► Slip afbryderen, og betjen den igen.
Afbryderen kan ikke trykkes ind.	Omskifteren til valg af højre-/venstreløb er i midterposition.	► Tryk omskifteren til valg af højre-/venstreløb til højre eller venstre.
Hastigheden falder kraftigt.	Batteriet er afladet.	► Tag batteriet ud, og lad det op.
Batteriet går ikke hørbart i indgreb.	Låsetapperne på batteriet er beskidte.	► Rengør indgrebstapperne.
Batteriet aflades hurtigere end normalt.	Meget lav omgivende temperatur.	► Varm langsomt batteriet op til rumtemperatur.

10 Bortskaffelse

Størstedelen af de materialer, som anvendes ved fremstillingen af **Hilti**-produkter, kan genvindes. Materialerne skal sorteres, før de kan genvindes. I mange lande modtager **Hilti** dine udtjente instrumenter med henblik på genvinding. Spørg **Hilti** kundeservice eller din forhandler.

Bortskaffelse af batterier

Som følge af ukorrekt bortskaffelse af batterier kan der opstå sundhedsfare på grund af lækkende gasser eller væsker.

- Beskadigede batterier må under ingen omstændigheder sendes!
- Tildæk kontakterne med et ikke-ledende materiale, så kortslutninger undgås.
- Bortskaf batterier på en sådan måde, at børn ikke kan få fat på dem.
- Bortskaf batteriet hos din **Hilti Store**, eller henvend dig til det ansvarlige renovationsfirma.



- Elværktøj, elektriske maskiner og batterier må ikke bortskaffes sammen med almindeligt husholdningsaffald!

11 RoHS (direktiv til begrænsning af anvendelsen af farlige stoffer)

Under følgende link finder du tabellen med farlige stoffer: qr.hilti.com/r4838535.

Et link til RoHS-tabellen finder du i slutningen af denne dokumentation som QR-kode.

12 Producentgaranti

- Hvis du har spørgsmål vedrørende garantibetingelserne, bedes du henvende dig til din lokale **Hilti**-partner.



1 Uppgifter för dokumentation

1.1 Om denna dokumentation

- Läs denna dokumentation innan du börjar ta enheten i drift. Det är en förutsättning för säkert arbete och problemfri hantering.
- Observera de säkerhets- och varningsanvisningar som du hittar i dokumentationen och på själva enheten.
- Förvara alltid bruksanvisningen tillsammans med produkten och överlämna aldrig produkten till någon annan utan att bifoga den.

1.2 Teckenförklaring

1.2.1 Varningar

Varningarna är till för att varna för risker i samband med användning av produkten. Följande riskindikeringar används:

**FARA****FARA !**

- ▶ Anger överhängande risker som kan leda till svåra personskador eller dödsolycka.

**VARNING****VARNING !**

- ▶ Anger potentiella risker som kan leda till svåra personskador eller dödsfall.

**FÖRSIKTIGHET****FÖRSIKTIGHET !**

- ▶ Används för att fästa uppmärksamhet på en potentiell risksituation som kan leda till skador på person eller utrustning.

1.2.2 Symboler i dokumentationen

I den här dokumentationen används följande symboler:

	Läs bruksanvisningen före användning
	Anmärkningar och annan praktisk information
	Hantering av återvinningsbara material
	Elverktyg och batterier får inte kastas i hushållssoporna

1.2.3 Symboler i bilderna

Följande symboler används i bilder:

	Dessa siffror hänvisar till motsvarande bild i början av bruksanvisningen
	Numreringen återger ordningsföljden hos arbetsmomenten på bilden och kan skilja sig från arbetsmomenten i texten
	På bilden Översikt används positionsnummer som hänvisar till siffrorna i teckenförklaringen i avsnittet Produktöversikt
	Det här tecknet är till för att du ska vara extra uppmärksam på något som gäller hur du hanterar produkten.

1.3 Produktberoende symboler

1.3.1 Symboler på produkten

Följande symboler kan förekomma på produkten:



	Trådlös dataöverföring
	HILTI -litiumjonbatteriserie som används. Observera uppgifterna i kapitlet Avsedd användning .
	Isolationsklass II (dubbelisolerad)
n_0	Nominellt varvtal, obelastat
/min	Varv per minut

1.4 Produktinformation

HILTI-produkter är avsedda för professionella användare och får endast användas, underhållas och repareras av auktoriserad, utbildad personal. Personalen måste vara särskilt informerad om de risker som finns. Produkten och dess tillbehör kan utgöra en risk om den används på ett felaktigt sätt av utbildad personal eller inte används enligt föreskrifterna.

Typbeteckning och serienummer anges på typskylten.

- ▶ Använd de serienummer som anges i följande tabell. Du behöver produktuppgifterna när du kontaktar vår återförsäljare eller serviceverkstad.

Produktdetaljer

Batteridrivna slagskruvdragare	SIW 9-A22
Generation:	01
Serienr:	

1.5 Försäkran om överensstämmelse

Vi försäkrar på eget ansvar att den produkt som beskrivs här överensstämmer med gällande direktiv och standarder. En bild på försäkran om överensstämmelse hittar du i slutet av dokumentationen.

Den tekniska dokumentationen finns sparad här:

HILTI Entwicklungsgesellschaft mbH | Zulassung Geräte | Hiltistraße 6 | 86916 Kaufering, Tyskland

2 Säkerhet

2.1 Allmänna säkerhetsföreskrifter för elverktyg

⚠ WARNING Läs noga igenom alla säkerhetsföreskrifter, anvisningar, avbildningar och tekniska data som medföljer detta elverktyg. Om nedanstående anvisningar inte följs, finns risk för elektriska stötar, brand och/eller svåra skador.

Förvara alla säkerhetsföreskrifter och anvisningarna på ett säkert ställe för framtida användning.

Begreppet "elverktyg" som används i säkerhetsföreskrifterna avser nätdrivna elverktyg (med nätkabel) och batteridrivna elverktyg (sladdlösa).

Säker arbetsmiljö

- ▶ **Håll arbetsområdet rent och väl belyst.** Oordning eller bristfällig belysning på arbetsplatsen kan leda till olyckor.
- ▶ **Arbeta inte med elverktyget i omgivningar med explosionsrisk där det finns brännbara vätskor, gaser eller damm.** Elverktyg alstrar gnistor som kan antända dammet eller gaserna.
- ▶ **Håll barn och obehöriga personer på betryggande avstånd under arbetet med elverktyget.** Om du störs av obehöriga personer kan du förlora kontrollen över verktyget.

Elsäkerhet

- ▶ **Elverktygets elkontakt måste passa till vägguttaget. Elkontakten får absolut inte ändras. Använd inte adapterkontakter tillsammans med skyddsjordade elverktyg.** Originalkontakter och lämpliga vägguttag minskar risken för elstötar.
- ▶ **Undvik kroppskontakt med jordade ytor som rör, värmeelement, spisar och kylskåp.** Det finns en större risk för elstötar om din kropp är jordad.
- ▶ **Skydda elverktyget från regn och väta.** Tränger vatten in i ett elverktyg ökar risken för elstötar.
- ▶ **Använd inte anslutningskabeln på ett felaktigt sätt, t.ex. genom att bära eller hänga upp elverktyget i den eller dra i den för att lossa elkontakten ur vägguttaget. Håll anslutningskabeln på avstånd**



2113750

Svenska

33

från värmekällor, olja, vassa kanter och rörliga delar. Skadade eller tilltrasslade anslutningskablar ökar risken för elstötar.

- ▶ **När du arbetar med ett elverktyg utomhus, använd endast förlängningskablar som är avsedda för utomhusbruk.** Genom att använda en lämplig förlängningskabel för utomhusbruk minskar du risken för elstötar.
- ▶ **Om det är alldeles nödvändigt att använda verktyget i fuktig miljö ska du använda en jordfelsbrytare.** Användning av jordfelsbrytare minskar risken för elstötar.

Personsäkerhet

- ▶ **Var uppmärksam, ha uppsikt över vad du gör och använd elverktyget med förnuft. Använd aldrig elverktyg om du är trött eller påverkad av droger, alkohol eller medicin.** En kort sekund av bristande uppmärksamhet när du arbetar med ett elverktyg kan leda till att du skadar dig själv eller någon annan svårt.
- ▶ **Bär alltid personlig skyddsutrustning och skyddsglasögon.** Genom att använda personlig skyddsutrustning som t.ex. dammskyddsmask, halkfria säkerhetsskor, hjälm eller hörselskydd, beroende på vilket elverktyg du använder och till vad, minskar du risken för kroppsskada.
- ▶ **Undvik oavsiktlig igångsättning. Se till att elverktyget är fränkopplat innan du ansluter det till nätströmmen och/eller batteriet, tar upp det eller bär det.** Om du bär elverktyget med fingret på strömbrytaren eller ansluter ett tillkopplat verktyg till nätströmmen kan en olycka inträffa.
- ▶ **Ta bort alla inställningsverktyg och skruvnycklar innan du kopplar in elverktyget.** Ett verktyg eller en nyckel i en roterande komponent kan leda till skador.
- ▶ **Undvik en onormal kroppshållning. Se till att du står stadigt och håller balansen.** Då kan du lättare kontrollera elverktyget i oväntade situationer.
- ▶ **Bär lämpliga kläder. Bär inte löst hängande kläder eller smycken. Håll håret, kläderna och handskarna på avstånd från rörliga delar.** Löst hängande kläder, smycken och långt hår kan dras in av roterande delar.
- ▶ **När du använder elverktyg med anordningar för uppsugning och uppsamling av damm, bör du kontrollera att dessa anordningar är rätt monterade och används korrekt.** Används en dammsugare kan faror som orsakas av damm minskas.
- ▶ **Invagga dig inte i falsk säkerhet och strunta inte säkerhetsreglerna för elverktyg även om du har stor vana vid att arbeta med elverktyget.** Oförsiktig hantering kan leda till allvarliga skador inom bråkdelar av en sekund.

Användning och hantering av elverktyg

- ▶ **Överbelasta inte verktyget. Använd elverktyg som är avsedda för det aktuella arbetet.** Med ett lämpligt elverktyg kan du arbeta bättre och säkrare inom angivet effektområde.
- ▶ **Använd aldrig elverktyget om strömbrytaren är defekt.** Ett elverktyg som inte kan kopplas in eller ur är farligt och måste repareras.
- ▶ **Dra ut elkontakten ur uttaget och/eller ta i förekommande fall bort det löstagbara batteriet innan du gör inställningar, byter tillbehör eller lägger ifrån dig verktyget.** Denna skyddsåtgärd förhindrar att du eller någon annan råkar sätta igång elverktyget av misstag.
- ▶ **Förvara elverktyg oåtkomligt för barn. Verktyget får inte användas av personer som inte är vana eller inte har läst dessa anvisningar.** Elverktyg är farliga om de används av oerfarna personer.
- ▶ **Underhåll elverktygen och tillbehören noggrant. Kontrollera att rörliga komponenter fungerar felfritt och inte kärvar och att komponenter inte har brustit eller skadats så att elverktygets funktion påverkas negativt. Se till att skadade delar repareras innan verktyget används igen.** Många olyckor orsakas av dåligt skötta elverktyg.
- ▶ **Håll insatsverktygen skarpa och rena.** Omsorgsfullt skötta insatsverktyg med skarpa eggar kommer inte så lätt i kläm och går lättare att styra.
- ▶ **Använd elverktyg, tillbehör, insatsverktyg osv. enligt dessa anvisningar. Ta hänsyn till arbetsvillkoren och arbetsmomenten.** Används elverktyget på icke ändamålsenligt sätt kan farliga situationer uppstå.
- ▶ **Se till att handtaget och greppytorna är torra, rena och fria från olja och fett.** Med hala handtag och gripkort går det inte att hantera och kontrollera elverktyget säkert i oväntade situationer.

Användning och hantering av batteriverktyg

- ▶ **Ladda endast batterierna i de laddare som tillverkaren har rekommenderat.** Brandrisk kan uppstå om en laddare som är avsedd för en viss typ av batterier används för andra batterityper.
- ▶ **Använd endast batterier som är avsedda för aktuellt elverktyg.** Används andra batterier finns det risk för kroppsskada och brand.
- ▶ **Håll gem, mynt, nycklar, spikar, skruvar och andra små metallföremål på avstånd från reservbatterier för att undvika kortslutning av kontakterna.** En kortslutning av batteriets kontakter kan leda till brännskador eller brand.



- ▶ **Om batteriet används på fel sätt kan vätska rinna ur batteriet. Undvik kontakt med vätskan. Vid oavsiktlig kontakt, skölj med vatten. Om vätska kommer i kontakt med ögonen, uppsök dessutom läkare.** Batterivätskan kan orsaka hudirritation eller brännskada.
- ▶ **Använd aldrig skadade eller egenhändigt modifierade batterier.** Skadade eller modifierade batterier kan bete sig oförutsägbart och orsaka brand, explosioner eller risk för skador.
- ▶ **Utsätt aldrig batterier för öppen eld eller för höga temperaturer.** Öppen eld eller temperaturer över 130 °C (265 °F) kan orsaka explosion.
- ▶ **Följ alla anvisningar för laddning och ladda aldrig batteriet eller batteriverktyget vid temperaturer som ligger utanför det intervall som anges i bruksanvisningen.** Felaktigt utförd laddning eller laddning vid temperaturer utanför det tillåtna intervallet kan förstöra batteriet och öka risken för brand.

Service

- ▶ **Låt endast kvalificerad fackpersonal reparera elverktyget och använd då endast originalreservdelar.** Detta garanterar att verktygets säkerhet upprätthålls.
- ▶ **Utför aldrig underhåll på skadade batterier.** Underhåll av batterier får endast utföras av tillverkaren eller av auktoriserade kundservicecenter.

2.2 Ytterligare säkerhetsföreskrifter för skruvdragaren

Personsäkerhet

- ▶ Använd verktyget bara om det är fullt funktionsdugligt.
- ▶ Manipulera eller ändra aldrig något på verktyget.
- ▶ Använd de extrahandtag som levereras tillsammans med verktyget. Tappas du kontrollen över verktyget kan det leda till skador.
- ▶ Håll alltid verktyget i handtagen med båda händerna. Håll alltid handtaget torrt och rent.
- ▶ Håll verktyget i de isolerade greppytorna medan du arbetar, eftersom det kan finnas risk att insatsverktyget stöter på en dold elledning. Vid kontakt med en spänningssatt ledning kan metalldelar på verktyget spänningssättas och ge dig en stöt.
- ▶ Rör inte vid roterande delar – risk för personskada!
- ▶ Använd lämpliga skyddsglasögon, skyddshjälm, hörselskydd, skyddshandskar och ett lätt andningsskydd när du arbetar med verktyget.
- ▶ Använd skyddshandskar även vid byte av insatsverktyg. Det finns risk för skär- och brännskador vid beröring av nyss använda insatsverktyg.
- ▶ Använd skyddsglasögon. Splitter kan skada oskyddade kroppsdelar och ögon.
- ▶ Ta bort de dammpartiklar som har uppstått innan arbetet i riskklassen startas. Använd en byggdamm-sugare med en standardskyddsklassificering som motsvarar de lokala dammskyddsbestämmelserna. Damm från material med blyhaltig färg, vissa träslag, betong, tegel, sten som innehåller kvarts, mineraler och metall kan vara hälsovådliga.
- ▶ Se till att arbetsplatsen har god ventilation, och använd vid behov en andningsmask som är avsedd för damm av det aktuella slaget. Beröring eller inandning av damm kan orsaka allergiska reaktioner och/eller sjukdomar i andningsvägarna hos användaren eller hos personer som befinner sig i närheten. Vissa slags damm, till exempel från ek eller bok, anses vara cancerframkallande, särskilt i kombination med tillsatssämnen för behandling av trä (kromat, träskyddsmedel). Asbesthaltigt material får bara hanteras av särskilt utbildad personal.
- ▶ Gör pauser i arbetet och utför fingerövningar som ökar blodgenomströmningen i fingrarna. Vid långvarigt, ihållande arbete kan vibrationerna ge besvär i blodkärl och nerver i fingrarna, händerna och handlederna.

Elektrisk säkerhet

- ▶ Undersök om det finns dolda el-, gas- och vattenledningar inom arbetsområdet innan du påbörjar arbetet. Utanpåliggande metalldelar på verktyget kan orsaka elstötar om du oavsiktligt råkar skada en elledning.

Ömsorgsfull hantering och användning av elverktyg

- ▶ Stäng genast av elverktyget om insticksverktyget blockeras. Elverktyget kan vridas i sidled.
- ▶ Vänta tills elverktyget stannat helt innan du lägger det ifrån dig.

2.3 Ömsorgsfull hantering och användning av batterier

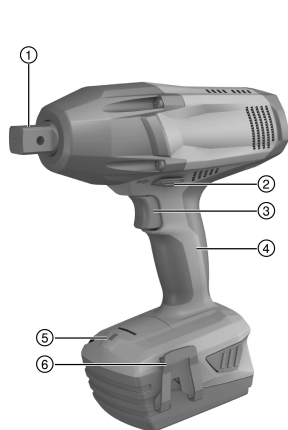
- ▶ Observera de särskilda föreskrifterna för transport, förvaring användning av litiumjonbatterier.
- ▶ Utsätt inte batterierna för höga temperaturer, direkt solljus eller eld.
- ▶ Batterier får inte tas isär, klämmas, hettas upp över 80° eller brännas.
- ▶ Använd eller ladda inte batterier som tagit emot slag, har fallit från över en meters höjd eller är skadade på något annat sätt. I sådana fall, kontakta **Hilti Service**.



- Om batteriet är så hett att du inte kan ta i det kan det vara defekt. Ställ produkten på en plats där inget riskerar att fatta eld och på betryggande avstånd från brännbart material, där du kan hålla den under uppsikt medan batteriet svalnar. I sådana fall, kontakta **Hilti Service**.

3 Beskrivning

3.1 Produktöversikt



- ① 3/4" utvärdig fyrkant med genomgångshål
- ② Omkopplare för höger- och vänstervarv med tillkopplingsspärr
- ③ Strömbrytare
- ④ Handtag
- ⑤ Belysning för arbetsområdet
- ⑥ Bälteshake (tillval)
- ⑦ Batteri
- ⑧ Laddningsstatus- och felindikering (litiumjonbatteri)
- ⑨ Utlösningsknapp med extrafunktion för aktivering av laddningsindikeringen



3.2 Avsedd användning

Den produkt som beskrivs här är en handhållen batteridrivna slagskruvdragare. Den är avsedd att användas för att dra åt och lossa muttrar, gängbultar, fästankare och träskruvar. Chucken består av en yttre fyrkant med genomgångshål.

Borrskruvdragaren får endast användas till uppgifter där inget exakt åtdragningsmoment krävs. Annars finns det risk för överdragning och skador på skruven eller arbetsstycket.

- Använd endast **Hiltis** litiumjonbatterier av typen Li-Ion B 22 med produkten.
- Använd endast **Hiltis** batteriladdare i C4/36-serien för dessa batterier.

3.3 Leveransinnehåll

Bruksanvisning för slagskruvdragare.



Använd endast originalreservdelar och förbrukningsmaterial för säker drift. Av oss godkända reservdelar, förbrukningsmaterial och tillbehör till din produkt hittar du i närmaste **Hilti Store** eller på: www.hilti.group | USA: www.hilti.com

3.4 Indikering för litiumjonbatterier

Litiumjonbatteriets laddningsstatus och störningar i verktyget indikeras med litiumjonbatteriets lampor. Tryck på en av litiumjonbatteriets utlösningknappar för att se batterinivån.



Status	Betydelse
4 lysdioder lyser.	Laddningsstatus: 75 % till 100 %
3 lysdioder lyser.	Laddningsstatus: 50 % till 75 %
2 lysdioder lyser.	Laddningsstatus: 25 % till 50 %
1 lysdiod lyser.	Laddningsstatus: 10 % till 25 %
1 lysdiod blinkar, verktyget är färdigt att användas.	Laddningsstatus: < 10 %
1 lysdiod blinkar, verktyget är inte färdigt att användas.	Batteriet är överhettat.
4 lysdioder blinkar, verktyget är inte färdigt att användas.	Verktyget är överlastat eller överhettat.



Det går inte att få reda på laddningsstatus när strömbrytaren hålls intryckt och i upp till fem sekunder efter det att strömbrytaren har släppts upp. Läs anvisningarna i kapitlet Felsökning om lysdioderna för batteriindikering börjar blinka.

4 Teknisk information

4.1 Slagskruvdragare

Märkspänning	21,6 V _{DC}
Vikt enligt EPTA Procedure 01	3,6 kg
Uppmätt tomgångsvarvtal	1 400 varv/min
Slagfrekvens	2 200 bpm
Omgivningstemperatur vid drift	-17 °C ... 60 °C
Förvaringstemperatur	-20 °C ... 70 °C

4.2 Batteri

Batteriets driftspänning	21,6 V
Omgivningstemperatur vid drift	-17 °C ... 60 °C
Förvaringstemperatur	-20 °C ... 40 °C
Batteritemperatur när laddningen påbörjas	-10 °C ... 45 °C

4.3 Bullerinformation och vibrationsvärden enligt EN 60745

De ljudtrycks- och vibrationsvärden som anges i anvisningarna har uppmätts med en standardiserad mätmetod och kan användas för att jämföra olika elverktyg med varandra. De kan också användas för att göra en preliminär uppskattning av exponeringarna. De angivna värdena representerar borrtillverkarens huvudsakliga användning. När elverktyget begagnas inom andra områden, med andra insatsverktyg eller med otillräckligt underhåll, kan mätning ge avvikande värden. Det innebär att exponeringen under den totala arbetstiden kan ökas betydligt. För att uppskattningen av exponeringarna ska bli exakt bör man också räkna in de tider då verktyget är fränkopplat, eller då det är tillkopplat men inte används. Detta kan minska exponeringen betydligt under den totala arbetstiden. Vidta även andra säkerhetsåtgärder för att skydda användaren mot effekterna av buller och/eller vibrationer, exempelvis: Underhåll av elverktyg och insatsverktyg, möjlighet att hålla händerna varma, organisation av arbetsförlöppen.

Bullervärden

Ljudtrycksnivå (L _{pA})	98,5 dB(A)
Osäkerhet ljudtrycksnivå (K _{pA})	3 dB(A)
Ljudeffektnivå (L _{WA})	109,5 dB(A)
Osäkerhet ljudeffektnivå (K _{WA})	3 dB(A)

Sammanlagt vibrationsvärde

Vibrationsemissionsvärde vid åtdragning av skruvar och muttra med max. tillåten storlek (a _n)	7 m/s ²
Osäkerhet (K)	1,5 m/s ²



5 Förberedelser för arbete

5.1 Laddning av batteri

1. Läs batteriladdarens bruksanvisning innan du laddar batteriet.
2. Se till att batteriets och batteriladdarens sladdar är rena och torra.
3. Ladda batteriet i en godkänd batteriladdare.

5.2 Sätta i batteriet

FÖRSIKTIGHET

Risk för personskada på grund av kortslutning eller nedfallande batteri!

- ▶ Kontrollera innan du sätter in batteriet i produkten att både batteriets och produktens kontakter är fria från smuts och andra hinder.
 - ▶ Säkerställ att batteriet alltid hakar i ordentligt.
-
1. Ladda batteriet helt innan det används första gången.
 2. Sätt i batteriet i verktygshållaren så att du hör att det klickar fast.
 3. Kontrollera att batteriet sitter stadigt.

5.3 Ta ut batteriet

1. Tryck på knappen för batteriets låsspärr.
2. Ta ut batteriet ur verktygshållaren.

5.4 Demontera hylsa (verktyg) 2

FÖRSIKTIGHET

Risk för personskada på grund av fel insatsverktyg!

- ▶ Använd endast låsbara insatsverktyg.
- ▶ Använd aldrig slitna eller skadade insatsverktyg.

FÖRSIKTIGHET

Risk för personskada på grund av sliten eller skadad låsring

- ▶ Använd inga slitna eller skadade låsringar.

1. Ställ omkopplaren för höger- och vänsterverv i mittenläge eller ta ut batteriet ur verktyget.
2. Sätt hylsan på verktygets drivfyrkant.



Rikta in hylsan så att hålet i hylshållaren stämmer överens med hålet i drivfyrkanten.

3. Utför denna hantering om följande villkor har uppfyllts:

Villkor: Vid användning av O-ring och säkringsstift.

- ▶ Ta bort O-ringen från spåret i hylsan. Sätt i säkringsstiftet i hålet i både hylsa och drivfyrkant. Sätt därefter dit O-ringen i hylsans spår.

4. Utför denna hantering om följande villkor har uppfyllts:

Villkor: Vid användning av låsring.

- ▶ Sätt i låsringen i hylsan.

5.5 Demontera hylsa (verktyg) 3

1. Ställ omkopplaren för höger- och vänsterverv i mittenläge eller ta ut batteriet ur verktyget.
2. Ta ur låsringen eller O-ringen, inklusive säkringsstift, ur hylsan.
3. Ta bort hylsan från verktygets drivfyrkant.



5.6 Sätt fast bälteshake (tillval)

VARNING

Risk för personskada Risk för att tappa verktyget.

- ▶ Om verktyget faller ner kan den skada dig och andra. Innan du startar ett arbete ska du kontrollera att bälteshaken är korrekt fästsatt.

Med bälteshaken kan du fästa verktyget i bältet så att det ligger mot kroppen. Du väljer själv om du vill sätta fast bälteshaken på höger eller vänster sida.

1. Avlägsna batteriet. → Sidan 38
2. Stick in bälteshaken i därför avsedd öppning längst ner på produkten.
3. Fäst bälteshaken med de två skruvarna.

5.7 Montera Hilti-fallsäkring (tillval)

VARNING

Skador på produkt eller säkringslina. Vid felaktig hantering kan skador uppstå på produkten eller säkringslinan.

- ▶ Använd aldrig metallkedjor som säkringslina. Använd inte säkringslinor som är längre än 2,0 m (6 ft).

För att minska risken för skador rekommenderar vi att **Hilti**-fallsäkring används vid arbeten på höjd. Med fallsäkringen kan du säkra verktyget med fästlinor/-remmar. Följ alltid tillämpliga bestämmelser för arbete på höjd.

1. Avlägsna batteriet. → Sidan 38
2. För in de båda filkarna på fallsäkringen i springorna på båda sidor av verktygsfoten.
3. Sätt fast fallsäkringen med tillhörande skruvar.
4. Sätt i batteriet. → Sidan 38

6 Arbeta

6.1 Ställa in rotationsriktning

I mittläget fungerar omkopplaren för höger- och vänstervarv som tillkopplingsspärr.

- ▶ Sätt omkopplaren för höger- och vänstervarv på höger- eller vänstervarv.

6.2 Tillkoppling

- ▶ Tryck in strömbrytaren.
 - ↳ Du reglerar varvtalet genom att trycka in strömbrytaren olika långt.

Överbelasta inte produkten. Låt produkten svalna ett par minuter om den blir väldigt varm.

6.3 Frånkoppling

- ▶ Släpp strömbrytaren.

7 Skötsel och underhåll

VARNING

Risk för personskada vid anslutet batteri !

- ▶ Ta alltid bort batteriet innan skötsel och underhåll utförs!



2113750

Svenska

39

Verktygets skötsel


- Ta försiktigt bort smuts som fastnat på verktyget.
- Rengör ventilationspringorna försiktigt med en torr borste.
- Rengör höljet med en lätt fuktad trasa. Använd inte rengöringsmedel med silikon, eftersom det kan skada plastdelarna.

Skötsel av litiumjonbatterier

- Håll batteriet rent och fritt från olja och fett.
- Rengör höljet med en lätt fuktad trasa. Använd inte rengöringsmedel med silikon, eftersom det kan skada plastdelarna.
- Se till att ingen fukt tränger in.

Underhåll

- Kontrollera regelbundet att inga synliga delar har skadats och att alla reglage fungerar som de ska.
- Använd inte produkten om den uppvisar skador eller funktionsstörningar. Skicka den direkt till **Hilti Service** för reparation.
- Efter att skötsel- och underhållsarbete utförts ska alla skyddsanordningar alltid monteras och kontrolleras.

 Använd endast originalreservdelar och förbrukningsmaterial för säker drift. Godkända reservdelar, förbrukningsmaterial och tillbehör till din produkt från oss hittar du i närmaste **Hilti Store** eller på: www.hilti.group.

8 Transport och förvaring av batteridrivna verktyg

Transport

FÖRSIKTIGHET

Oavsiktlig start under transport. !

- ▶ Transportera alltid produkten utan insatta batterier.
- ▶ Ta bort batterierna.
- ▶ Transportera aldrig batterierna löst liggande.
- ▶ Kontrollera att verktyget och batterierna är oskadda innan de används efter längre transporter.

Förvaring

FÖRSIKTIGHET

Oavsiktlig skada på grund av trasiga eller läckande batterier. !

- ▶ Förvara alltid produkten utan insatta batterier.
- ▶ Förvara verktyget och batterierna så svalt och torrt som möjligt.
- ▶ Förvara aldrig batterierna i direkt solsken, på värmeelement eller bakom glasrutor.
- ▶ Förvara verktyget och batterierna oåtkomliga för barn och obehöriga personer.
- ▶ Kontrollera att verktyget och batterierna är oskadda innan de används efter en längre tids förvaring.

9 Felsökning

Kontakta **Hilti Service** om det uppstår ett fel som inte finns med i den här tabellen eller som du inte lyckas åtgärda på egen hand.

9.1 Felsökning

Kontakta **Hilti Service** om det uppstår ett fel som inte finns med i den här tabellen eller som du inte lyckas åtgärda på egen hand.

Fel	Möjlig orsak	Lösning
Verktyget startar inte.	1 lysdiod blinkar: batteriet är urladdat.	▶ Ta ur batteriet och ladda det.
	Batteriet är inte rätt isatt.	▶ Batteriet ger ifrån sig ett tydligt klick när det hamnar på plats. Ta ur batteriet och sätt i det igen.



Fel	Möjlig orsak	Lösning
Verktyget startar inte.	1 lysdiod blinkar: batteriet är för varmt eller för kallt.	► Värm/kyl batteriet till arbetstemperatur.
	4 lysdioder blinkar: verktyget har överlastats under en kort period	► Släpp strömbrytaren och tryck in den igen.
Det går inte att trycka ner strömbrytaren.	Omkopplaren för höger- och vänstervarv står i mittenläge.	► Tryck omkopplaren för höger- och vänstervarv åt vänster eller höger.
Varvtalet sjunker avsevärt.	Batteriet är urladdat.	► Ta ur batteriet och ladda det.
Det hörs inget tydligt klick när batteriet sätts på plats.	Batteriets låsmekanism är smutsig.	► Rengör låsmekanismen.
Batteriet laddas ur ovanligt snabbt.	Mycket låg omgivningstemperatur.	► Värm långsamt upp batteriet till rumstemperatur.

10 Avfallshantering

Hilti-produkter är till stor del tillverkade av återvinningsbara material. En förutsättning för återvinning är att materialen separeras på rätt sätt. I många länder kan du lämna in ditt uttjänta instrument så att **Hilti** tar hand om det. Hör efter med **Hilti**s kundtjänst eller din kontaktperson.

Avfallshantering av batterier

Bristfällig avfallshantering av batterier kan orsaka hälsorisker på grund av läckande gaser eller vätskor.

- Skicka aldrig iväg skadade batterier!
- Täck anslutningarna med ett icke ledande material för att förhindra kortslutningar.
- Kassera batterier så att de inte kan hamna i händerna på barn.
- Kassera batteriet hos din **Hilti Store** eller vänd dig till närmaste återvinningscentral.



- Kasta inte elverktyg, elektronisk apparatur och batterier i hushållssoporna.

11 RoHS (föreskrifter för begränsning av användningen av farliga ämnen)

Använd den här länken för att komma till tabellen över farliga ämnen: qr.hilti.com/r4838535.

En länk till RoHS-tabellen hittar du i slutet på det här dokumentet i form av en QR-kod.

12 Tillverkargaranti

- Vänd dig till din lokala **Hilti**-representant om du har frågor om garantivillkoren.



1 Informasjon om dokumentasjonen

1.1 Om denne dokumentasjonen

- Les denne dokumentasjonen før du tar produktet i bruk. Dette er en forutsetning for sikkerhet under arbeidet og problemfri bruk.
- Følg sikkerhetshenvisningene og advarslene i denne dokumentasjonen og på produktet.
- Oppbevar alltid bruksanvisningen på produktet, og lever bruksanvisningen fra deg sammen med produktet hvis det overtas av andre personer.

1.2 Symbolforklaring

1.2.1 Farehenvisninger

Farehenvisninger advarer mot farer under håndtering av produktet. Følgende signalord brukes:

**FARE****FARE !**

- ▶ For en umiddelbart truende fare som kan føre til alvorlige personskader eller død.

**ADVARSEL****ADVARSEL !**

- ▶ Varsler en mulig fare som kan føre til alvorlige personskader eller død.

**FORSIKTIG****FORSIKTIG !**

- ▶ Varsler om en mulig farlig situasjon som kan føre til lettere personskade eller skade på utstyr og annen eiendom.

1.2.2 Symboler i dokumentasjonen

Følgende symboler brukes i denne dokumentasjonen:



Les bruksanvisningen før bruk



Anvisninger om bruk og annen nyttig informasjon



Håndtering av resirkulerbare materialer



Ikke kast elektriske apparater eller batterier i husholdningsavfallet

1.2.3 Symboler i illustrasjoner

Følgende symboler brukes i illustrasjonene:

	Disse tallene henviser til illustrasjonen foran i denne bruksanvisningen
3	Nummereringen angir rekkefølgen for arbeidstrinnene på bildet og kan avvike fra arbeidstrinnene i teksten
	Posisjonsnumrene brukes i illustrasjonen Oversikt og henviser til numrene på teksten i avsnittet Produktoversikt
	Dette symbolet betyr at håndtering av produktet krever stor grad av oppmerksomhet.

1.3 Produktavhengige symboler

1.3.1 Symboler på produktet

Følgende symboler kan brukes på produktet:



	Trådløs dataoverføring
	Brukt Hilti Li-Ion-batteriserie. Følg anvisningene i kapitlet Forskriftsmessig bruk .
	Beskyttelsesklasse II (dobbeltisolert)
n_0	Nominelt tomgangsturtall
/min	Omdreininger per minutt

1.4 Produktinformasjon

HILTI-produkter er laget for profesjonell bruk og må kun brukes, vedlikeholdes og repareres av kyndig personale. Dette personalet må informeres om eventuelle farer som kan oppstå. Produktet og tilleggsutstyret kan utgjøre en fare hvis det betjenes av ukvalifisert personale eller det benyttes feil.

Typebetegnelse og serienummer står på typeskiltet.

- ▶ Skriv inn serienummeret i tabellen nedenfor. Du trenger produktspesifikasjonene ved henvendelser til Hiltis representant eller servicesenter.

Produktspesifikasjoner

Batteridrevet bor-/skrumaskin	SIW 9-A22
Generasjon:	01
Serienummer:	

1.5 Samsvarserklæring

Vi erklærer herved at produktet som er beskrevet her, er i samsvar med gjeldende normer og direktiver. Du finner et bilde av samsvarserklæringen på slutten av denne dokumentasjonen.

Den tekniske dokumentasjonen er lagret her:

Hilti Entwicklungsgesellschaft mbH | Zulassung Geräte | Hiltistraße 6 | 86916 Kaufering, DE

2 Sikkerhet

2.1 Generelle sikkerhetsregler for elektroverktøy

⚠ ADVARSEL Les alle sikkerhetsanvisninger, instruksjoner, illustrasjoner og tekniske data som elektroverktøyet er utstyrt med. Manglende overholdelse av anvisningene nedenfor kan medføre elektrisk støt, brann og/eller alvorlige personskader.

Overhold alle sikkerhetsanvisninger og instruksjoner i hele bruksperioden.

Begrepet "elektroverktøy" som er brukt i sikkerhetsanvisningene, viser til nettdrevne elektroverktøy (med nettkabel) eller til batteridrevne elektroverktøy (uten nettkabel).

Sikkerhet på arbeidsplassen

- ▶ **Hold arbeidsområdet rent og godt opplyst.** Rotete eller dårlig belyste arbeidsområder kan føre til ulykker.
- ▶ **Bruk ikke elektroverktøyet i eksplosjonsfarlige omgivelser hvor det befinner seg brennbare flytende stoffer, gasser eller støv.** Elektroverktøy lager gnister som kan antenne støv eller damp.
- ▶ **Hold barn og andre personer på sikker avstand mens elektroverktøyet brukes.** Hvis du blir forstyrret under arbeidet, kan du miste kontrollen over verktøyet.

Elektrisk sikkerhet

- ▶ **Elektroverktøyet støpselet må passe i stikkontakten. Støpselet må ikke forandres på noen som helst måte. Bruk ikke adapterkontakt på jordete elektroverktøy.** Uendrede støpsler og egnede stikkontakter minsker risikoen for elektrisk støt.
- ▶ **Unngå kroppskontakt med jordete overflater som rør, radiatorer, komfyrer eller kjøleskap.** Risikoen for elektriske støt er høyere når kroppen er jordet.
- ▶ **Hold elektroverktøyet unna regn og fuktighet.** Risikoen for elektrisk støt øker ved inntrenging av vann i et elektroverktøy.
- ▶ **Bruk ikke ledningen til å bære elektroverktøyet, henge det opp eller til å dra støpselet ut av stikkontakten. Hold ledningen unna varme, olje, skarpe kanter og deler som beveger seg.** Skadde eller sammenviklede ledninger øker risikoen for elektriske støt.



2113750

Norsk

43

- ▶ **Bruk kun skjøteledninger som også er godkjent for utendørs bruk når du arbeider med et elektroverktøy utendørs.** Bruk av skjøteledning som er egnet til utendørs bruk, minsker risikoen for elektrisk støt.
- ▶ **Må elektroverktøyet brukes i fuktige omgivelser, er det nødvendig å bruke en jordfeilbryter.** Bruk av en jordfeilbryter reduserer risikoen for elektrisk støt.

Personsikkerhet

- ▶ **Vær oppmerksom, pass på hva du gjør, og gå fornuftig fram under arbeidet med et elektroverktøy. Ikke bruk elektroverktøy når du er trøtt eller påvirket narkotika, alkohol eller medikamenter.** Et øyeblikks uoppmerksomhet ved bruk av elektroverktøyet kan være nok til å forårsake alvorlige personskader.
- ▶ **Bruk alltid personlig verneutstyr og vernebriller.** Bruk av personlig verneutstyr som støvmaske, skliskikre vernesko, hjelm eller hørselsvern – avhengig av type og bruk av elektroverktøyet – reduserer risikoen for skader.
- ▶ **Unngå utilsiktet start. Forsikre deg om at elektroverktøyet er slått av før du setter i stikkkontakten eller batteriet og før du løfter eller flytter elektroverktøyet.** Hvis du holder fingeren på bryteren når du bærer elektroverktøyet, eller kobler elektroverktøyet til strøm i innkoblet tilstand, kan dette føre til uhell.
- ▶ **Fjern justeringsverktøy og skrunøkkel før du slår på elektroverktøyet.** Et verktøy eller en nøkkel som befinner seg i en roterende maskindel, kan føre til skader.
- ▶ **Unngå uhensiktsmessige arbeidsposisjoner. Sørg for å stå stødig og i balanse.** Dermed kan du kontrollere elektroverktøyet bedre i uventede situasjoner.
- ▶ **Bruk egnede klær. Ikke bruk vide klær eller smykker. Hold hår, tøy og hansker unna deler som beveger seg.** Løstsittende tøy, smykker eller langt hår kan komme inn i deler som beveger seg.
- ▶ **Hvis det er montert støvavsugs- og oppsamlingsinnretninger, må det kontrolleres at disse er koblet til og blir brukt på riktig måte.** Bruk av støvavsug kan redusere faremomentene i forbindelse med støv.
- ▶ **Ikke føl deg for trygg og ikke bryt sikkerhetsreglene for elektroverktøy, heller ikke når du etter lang tids bruk er blitt fortrolig med elektroverktøyet.** Et øyeblikks uaktsomhet kan føre til alvorlige personskader.

Bruk og behandling av elektroverktøyet

- ▶ **Ikke overbelast verktøyet. Bruk et elektroverktøy som er beregnet til den type arbeid du vil utføre.** Med et passende elektroverktøy arbeider du bedre og sikrere i det angitte effektområdet.
- ▶ **Ikke bruk elektroverktøy med defekt bryter.** Et elektroverktøy som ikke lenger kan slås av eller på, er farlig og må repareres.
- ▶ **Dra ut støpselet fra stikkkontakten og/eller ta ut et uttakbart batteri før du foretar maskininnstillinger, bytter tilleggsutstyr eller legger bort verktøyet.** Disse tiltakene forhindrer utilsiktet start av elektroverktøyet.
- ▶ **Oppbevar elektroverktøy som ikke brukes, utenfor barns rekkevidde. La ikke personer som ikke er fortrolige med verktøyet eller ikke har lest disse instruksjonene, bruke verktøyet.** Elektroverktøy er farlige når de brukes av uerfarne personer.
- ▶ **Sørg for grundig stell og vedlikehold av elektroverktøyet med tilbehør. Kontroller at bevegelige deler på elektroverktøyet fungerer feilfritt og ikke klemmes fast, og at ingen deler er brukket eller skadet, slik at dette innvirker på elektroverktøyet funksjon. La skadde deler repareres før elektroverktøyet brukes.** Mange ulykker er et resultat av dårlig vedlikeholdte elektroverktøy.
- ▶ **Hold skjæreverktøy skarpe og rene.** Godt vedlikeholdte skjæreverktøy med skarpe skjærekanten blir sjeldnere fastklemt og er lettere å styre.
- ▶ **Bruk elektroverktøy, tilbehør, arbeidsverktøy osv. i overensstemmelse med denne anvisningen. Ta hensyn til arbeidsforholdene og arbeidet som skal utføres.** Bruk av elektroverktøy til andre formål enn det som er angitt, kan føre til farlige situasjoner.
- ▶ **Hold håndtak og gripeflater tørre, rene og frie for olje og fett.** Glatte håndtak og gripeflater gir ikke sikker betjening og kontroll av elektroverktøyet i uforutsette situasjoner.

Bruk og behandling av det batteridrevne elektroverktøyet

- ▶ **Bruk kun ladere som er anbefalt av produsenten når du skal lade batteriene.** Det oppstår brannfare når det brukes andre batterier i en lader enn den laderen er egnet for.
- ▶ **Bruk bare batterier som er beregnet for de forskjellige elektroverktøyene.** Bruk av andre batterier kan medføre skader og brannfare.
- ▶ **Unngå å oppbevare ubrukte batterier i nærheten av binders, mynter, nøkler, nagler, skruer eller andre små metallgjenstander som kan forårsake kortslutning av kontakten.** En kortslutning mellom batterikontaktene kan føre til forbrenninger eller brann.



- ▶ **Ved feil bruk kan væske lekke fra batteriet. Unngå kontakt med denne væsken. Ved tilfeldig kontakt må det skylles med vann. Hvis det kommer væske i øynene, må du i tillegg oppsøke lege.** Batterivæske som renner ut, kan føre til irritasjoner på huden eller forbrenninger.
- ▶ **Ikke bruk batterier som er skadde eller modifiserte.** Skadde eller modifiserte batterier kan oppføre seg uforutsigbart og forårsake brann, eksplosjon eller personskade.
- ▶ **Ikke utsett batteriet for åpen ild eller høye temperaturer.** Ild eller temperaturer over 130 °C (265 °F) kan forårsake eksplosjon.
- ▶ **Følg alle anvisningene for lading, og lad aldri batteriet eller det batteridrevne verktøyet utenfor temperaturområdet som er angitt i bruksanvisningen.** Feil lading eller lading utenfor det tillatte temperaturområdet kan ødelegge batteriet og øke brannfaren.

Service

- ▶ **Elektroverktøyet må kun repareres av kvalifisert fagpersonale og kun med originale reservedeler.** Slik opprettholdes maskinens sikkerhet.
- ▶ **Vedlikehold ikke skadde batterier.** Alt vedlikehold på batterier skal utføres av produsenten eller et godkjent serviceverksted.

2.2 Ekstra sikkerhetsanvisninger skrumaskin

Personsikkerhet

- ▶ Bruk produktet bare i teknisk feilfri stand.
- ▶ Ikke foreta modifiseringer eller endringer på maskinen.
- ▶ Bruk håndtakene som leveres med maskinen. Tap av kontroll kan føre til skader.
- ▶ Hold alltid maskinen fast med begge hendene i de to håndtakene. Hold håndtakene tørre og rene.
- ▶ Hold maskinen i de isolerte håndtakene når du utfører arbeid der verktøyet kan komme i kontakt med elektriske ledninger. Kontakt med en spenningsførende ledning kan også sette maskinens metalldele under spenning og føre til elektrisk støt.
- ▶ Unngå å berøre de roterende delene. Fare for personskader!
- ▶ Ved bruk av maskinen skal det alltid brukes egnede vernebriller, vernehjelm, hørselsvern, vernehansker og en lett ansiktsmaske.
- ▶ Bruk vernehansker også ved skifte av verktøy. Berøring av innsatsverktøyet kan føre til kuttskader og forbrenninger.
- ▶ Bruk øyevern. Splintret materiale kan skade kroppen og øynene.
- ▶ Før arbeidet påbegynnes, må du bringe på det rene hvilken fareklasse støvmaterialet som oppstår, tilhører. Bruk en anleggsstøvsuger med offisiell beskyttelsesklassifisering sammen med maskinen. Maskinen må oppfylle lokale støvbeskyttelseskrav. Støv fra materialer som blyholdig maling, enkelte tresorter, betong/mur/stein som inneholder kvarts, mineraler og metaller kan være helseskadelig.
- ▶ Sørg for god ventilasjon på arbeidsplassen, og bruk eventuelt åndedrettsvern tilpasset den aktuelle typen støv. Berøring eller innånding av slike typer støv kan fremkalle allergiske reaksjoner og/eller luftveissykdommer hos brukeren og andre personer som oppholder seg i nærheten. Bestemte typer støv som eikestøv eller bøkstøv regnes som kreftfremkallende, særlig i forbindelse med stoffer for trebehandling (kromat, trepleiemidler). Asbestholdige materialer skal kun håndteres av kvalifisert personell.
- ▶ Ta pauser i arbeidet og gjør øvelser for å sikre bedre blodsirkulasjon i fingrene. Ved langvarig arbeid kan det oppstå skader på blodkar eller nervesystemet i fingrer, hender eller håndledd.

Elektrisk sikkerhet

- ▶ Kontroller før arbeidet påbegynnes at det ikke finnes skjulte strømedninger, gass- eller vannrør i arbeidsområdet. Utvendige metalldele på maskinen kan forårsake elektrisk støt hvis du utilsiktet skulle skade en strømedning.

Forsiktig behandling og bruk av elektroverktøy

- ▶ Slå elektroverktøyet av straks hvis verktøyet setter seg fast. Maskinen kan gli ut til siden.
- ▶ Vent til elektroverktøyet har stanset helt før du legger det fra deg.

2.3 Aktsom håndtering og bruk av batterier

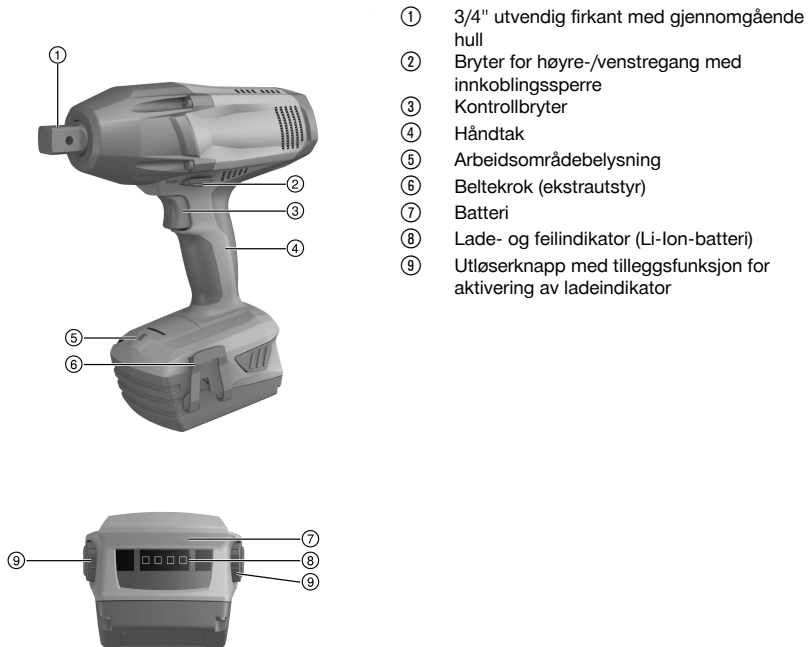
- ▶ Ta hensyn til spesielle retningslinjer for transport, lagring og bruk av Li-Ion-batterier.
- ▶ Hold batteriene unna høye temperaturer, direkte solskinn og åpen ild.
- ▶ Batteriene må ikke tas fra hverandre, klemmes, varmes opp over 80 °C eller brennes.
- ▶ Ikke bruk eller lad opp batterier som har fått et støt, har falt ned over en meter eller er skadet på annen måte. Kontakt i slike tilfeller alltid **Hilti service**.



- Hvis batteriet er for varmt til å ta i, kan det være defekt. Plasser produktet på et ikke-brennbart sted med tilstrekkelig avstand fra brennbare materialer, der det kan observeres. La det avkjøles. Kontakt i slike tilfeller alltid **Hilti service**.

3 Beskrivelse

3.1 Produktoversikt



- ① 3/4" utvendig firkant med gjennomgående hull
- ② Bryter for høyre-/venstregang med innkoblingsperre
- ③ Kontrollbryter
- ④ Håndtak
- ⑤ Arbeidsområdebelysning
- ⑥ Beltekrok (ekstrautstyr)
- ⑦ Batteri
- ⑧ Lade- og feilindikator (Li-Ion-batteri)
- ⑨ Utløserknapp med tilleggfunksjon for aktivisering av ladeindikator

3.2 Forskriftsmessig bruk

Det beskrevne produktet er en håndholdt, batteridrevet slagskrumaskin. Den er beregnet for tiltrekking og løsløsning av muttere og bolter, plugg og treskruer. Verktøyet festes i en chuck med en utvendig firkant og gjennomgående hull.

Slagskrumaskinen skal bare brukes til bruksområder som ikke krever nøyaktig/spesifisert dreiemoment. Ellers er det fare for hard tiltrekking, skade på skruen eller arbeidsemnet.

- Til dette produktet må det bare brukes **Hilti** Li-Ion-batterier i serien B 22.
- Bruk bare **Hilti**-laderne i C4/36-serien til disse batteriene.

3.3 Dette følger med:

slagskrumaskin, bruksanvisning.

Av hensyn til sikkerheten må du bare bruke originale reservedeler og forbruksmateriell. Reservedeler, forbruksmaterialer og tilbehør til produktet, som er godkjent av oss, finner du hos **Hilti Store** eller under: www.hilti.group | USA: www.hilti.com

3.4 Indikator på Li-Ion-batteriet

Li-Ion-batteriets ladenivå og feil på maskinen varsles ved hjelp av indikatoren på Li-Ion-batteriet. Ladenivået for Li-Ion-batteriet vises når du trykker på en av de to låseknappene for batteriet.



Tilstand	Betydning
4 LED-er lyser.	Ladenivå: 75 % til 100 %
3 LED-er lyser.	Ladenivå: 50 % til 75 %
2 LED-er lyser.	Ladenivå: 25 % til 50 %
1 LED lyser.	Ladenivå: 10 % til 25 %
1 LED blinker, maskinen er klar til bruk.	Ladenivå: < 10 %
1 LED blinker, maskinen er ikke klar til bruk.	Batteriet er overopphetet.
4 LED-er blinker, maskinen er ikke klar til bruk.	Maskinen er overbelastet eller overopphetet.

i Når du trykker på kontrollbryteren og inntil 5 sekunder etter at du har sluppet kontrollbryteren, er det ikke mulig å sjekke ladenivået. Ved blinkende LED-er på batteriets indikator må du følge henvisningene i kapitlet Feilsøking.

4 Tekniske data

4.1 Slagskrumaskin

Merkespenning	21,6 V _{DC}
Vekt i henhold til EPTA-prosedyre 01	3,6 kg
Nominelt omdreiningstall på tomgang	1 400 o/min
Slagfrekvens	2 200/min
Omgivelsestemperatur under drift	-17 °C ... 60 °C
Lagringstemperatur	-20 °C ... 70 °C

4.2 Batteri

Batteriets driftsspenning	21,6 V
Omgivelsestemperatur under drift	-17 °C ... 60 °C
Lagringstemperatur	-20 °C ... 40 °C
Batteritemperatur ved ladestart	-10 °C ... 45 °C

4.3 Støyinformasjon og vibrasjonsverdier iht. EN 60745

Lydtrykk- og vibrasjonsverdiene som er angitt i denne bruksanvisningen, er målt i samsvar med en normert målemetode og kan brukes til sammenligning av elektroverktøy. De egner seg også til en foreløpig vurdering av eksponeringene. De angitte dataene representerer de viktigste bruksområdene for elektroverktøyet. Men hvis elektroverktøyet brukes til andre formål, med avvikende innsatsverktøy eller med utilstrekkelig vedlikehold, kan dataene avvike. Dette kan øke eksponeringene betraktelig gjennom hele arbeidsperioden. For å få en nøyaktig vurdering av eksponeringene må man også ta hensyn til tidsrommene da maskinen er slått av eller er i gang, men ikke i drift. Dette kan redusere eksponeringene betraktelig gjennom hele arbeidsperioden. Fastsett ekstra sikkerhetstiltak for å beskytte operatøren mot effekten av støy og/eller vibrasjoner, for eksempel: Vedlikehold av elektroverktøy og innsatsverktøy, holde hendene varme, organisering av arbeidsprosesser.

Støyutslippsverdier

Avgitt lydtrykk (L_{pA})	98,5 dB(A)
Usikkerhet lydtryknivå (K_{pA})	3 dB(A)
Lydeffektnivå (L_{WA})	109,5 dB(A)
Usikkerhet lydeffektnivå (K_{WA})	3 dB(A)

Totale vibrasjonsverdier

Vibrasjonsutslippsverdi Tiltrekking av skruer og mutre med maksimal tillatt størrelse (a_i)	7 m/s ²
Usikkerhet (K)	1,5 m/s ²



5 Klargjøring for arbeid

5.1 Lade batteriet

1. Les bruksanvisningen for laderen før lading.
2. Kontaktene på batteriet og laderen må være rene og tørre.
3. Lad opp batteriet i en godkjent lader.

5.2 Sette i batteri

FORSIKTIG

Fare for personskader på grunn av kortslutning eller ved at batteriet faller ned!

- ▶ Forsikre deg om at det ikke er fremmedlegemer ved kontaktene på batteriet og kontaktene på produktet før du setter batteriet inn i maskinen.
- ▶ Kontroller at batteriet alltid går riktig i innrep.

1. Lad batteriet helt opp før første gangs bruk.
2. Sett batteriet inn i holderen på maskinen til det klikker hørbart på plass.
3. Kontroller at batteriet sitter godt fast.

5.3 Ta ut batteri

1. Trykk på låseknappene på batteriet.
2. Trekk batteriet ut av maskinholderen.

5.4 Montere bitspipe (verktøy) 2

FORSIKTIG

Fare for personskader på grunn av feil verktøy!

- ▶ Bruk bare verktøy med låsemulighet.
- ▶ Ikke bruk slitte eller skadde verktøy.

FORSIKTIG

Fare for personskader på grunn av slitt eller skadet sikringsring

- ▶ Ikke bruk en slitt eller skadet sikringsring.

1. Sett bryteren for høyre-/venstregang i midtstilling eller koble batteriet fra maskinen.
2. Sett bitspipen på maskinens firkantdrev.



Juster bitspipen slik at hullet i holderen for bitspipen stemmer med hullet i firkantdrevet.

3. Når betingelsen nedenfor er oppfylt, utfører du i tillegg denne handlingen:

Betingelser: Ved bruk av O-ring og låsebolt.

- ▶ Ta O-ringene ut av sporet på bitspipen. Sett låseboltene inn i hullet på bitspipen og firkantdrevet. Sett deretter O-ringene tilbake i sporet på bitspipen.

4. Når betingelsen nedenfor er oppfylt, utfører du i tillegg denne handlingen:

Betingelser: Ved bruk av sikringsringen.

- ▶ Sett sikringsringen inn i bitspipen.

5.5 Demontere bitspipe (verktøy) 3

1. Sett bryteren for høyre-/venstregang i midtstilling eller koble batteriet fra maskinen.
2. Ta sikringsringen eller O-ringene med låsebolt ut av bitspipen.
3. Fjern bitspipen fra maskinens firkantdrev.



5.6 Montere beltekrok (ekstrautstyr) 4

ADVARSEL

Fare for personskader Fare ved at maskinen kan falle ned.

- ▶ Hvis maskinen faller ned, kan dette være farlig for deg selv og andre. Kontroller før arbeidet starter at beltekroken er sikkert festet.

Beltekroken kan brukes til å feste maskinen inntil kroppen. Beltekroken kan monteres både på høyre og venstre side.

1. Fjern batteriet. → Side 48
2. Fest beltekroken i den aktuelle åpningen på produktfoten.
3. Fest beltekroken med to skruer.

5.7 Montere Hilti fallsikring (ekstrautstyr) 5

OBS

Skader på produktet og/eller fallinen. På grunn av ukyndig håndtering kan det oppstå skader på produktet og/eller fallinen.

- ▶ Ikke bruk metallkjettinger som falline. Ikke bruk falliner med en lengde over 2,0 m (6 ft).

For å unngå skader anbefales det å bruke **Hilti**-fallsikringen ved arbeid i høyden. Fallsikringen gjør det mulig å feste forankringstauene/forankringsbåndene. Nasjonale retningslinjer for arbeid i høyden skal alltid følges under arbeid med produktet.

1. Fjern batteriet. → Side 48
2. Før de to laskene til fallsikringen inn i slissene på maskinfoten på begge sider.
3. Fest fallsikringen med de tilhørende skruene.
4. Sett i batteriet. → Side 48

6 Arbeid

6.1 Stille inn høyre- eller venstregang 3

I midtstilling fungerer bryteren for høyre-/venstregang som innkoblingsperre.

- ▶ Still inn bryteren for høyre-/venstregang på høyre- eller venstregang.

6.2 Slå på

- ▶ Trykk på kontrollbryteren.
 - ↳ Turtallet reguleres ved hjelp av inntrykkingsdybden.

Ikke overbelast produktet. La produktet avkjøles noen minutter ved sterk varmeutvikling.

6.3 Slå av

- ▶ Slipp kontrollbryteren.

7 Service og vedlikehold

ADVARSEL

Fare for personskader på grunn av isatt batteri !

- ▶ Ta alltid ut batteriet før stell og vedlikeholdsarbeid!



Stell av maskinen


- Fjern gjenstridig smuss forsiktig.
- Rengjør ventilasjonsåpningene forsiktig med en tørr børste.
- Rengjør huset bare med en lett fuktet klut. Ikke bruk silikonholdige pleiemiddel, da dette kan angripe plastdelene.

Stell av Li-Ion-batterier

- Hold batteriet rent og fritt for olje og fett.
- Rengjør huset bare med en lett fuktet klut. Ikke bruk silikonholdige pleiemiddel, da dette kan angripe plastdelene.
- Unngå inntrenging av fuktighet.

Vedlikehold

- Kontroller alle synlige deler regelmessig mht. skade og alle betjeningselementene mht. feilfri funksjon.
- Ved skader og/eller funksjonsfeil må produktet ikke brukes. Få maskinen reparert av **Hilti** service snarest mulig.
- Etter stell- og vedlikeholdsarbeid må alle beskyttelsesinnretninger monteres, og det må foretas funksjonskontroll av dem.

 Av hensyn til sikkerheten må du bare bruke originale reservedeler og forbruksmaterialer. Reservedeler, forbruksmaterialer og tilbehør til produktet, som er godkjent av oss, finner du hos **Hilti Store** eller under: www.hilti.group.

8 Transport og lagring av batterier

Transport

FORSIKTIG

Utisiktet start under transport !

- ▶ Transporter alltid produktene dine uten batterier!
- ▶ Ta ut batteriene.
- ▶ Ikke transporter batterier upakket.
- ▶ Etter en lengre transport må maskin og batterier kontrolleres med hensyn til skade før bruk.

Lagring

FORSIKTIG

Utisiktet skade på grunn av defekte batterier eller lekkasje fra batterier !

- ▶ Oppbevar alltid produktene dine uten batterier!
- ▶ Oppbevar maskin og batterier mest mulig kaldt og tørt.
- ▶ Batteriene må aldri lagres i solen, på en radiator eller bak glassruter.
- ▶ Oppbevar maskin og batterier utenfor barns og uvedkommendes rekkevidde.
- ▶ Etter lengre tids oppbevaring må maskin og batterier kontrolleres med hensyn til skade før bruk.

9 Feilsøking

Ved feil som ikke står i denne tabellen eller som du selv ikke kan rette opp, må du kontakte **Hilti Service**.

9.1 Feilsøking

Ved feil som ikke står i denne tabellen eller som du selv ikke kan rette opp, må du kontakte **Hilti Service**.

Feil	Mulig årsak	Løsning
Maskinen starter ikke.	1 LED blinker: Batteriet er tomt.	▶ Ta ut batteriet og lad det opp.
	Batteriet er ikke satt i riktig.	▶ Batteriet skal gå hørbart i lås. Ta ut batteriet og sett det inn på nytt.
	1 LED blinker: Batteriet er for varmt eller for kaldt.	▶ Avkjøl/varm opp batteriet til arbeidstemperatur.
	4 LED-er blinker: Maskinen er kortvarig overopphetet	▶ Slipp kontrollbryteren og trykk den inn på nytt.



Feil	Mulig årsak	Løsning
Det går ikke an å trykke ned kontrollbryteren.	Bryteren for høyre-/venstregang er i midtstilling.	▶ Trykk bryteren for høyre-/venstregang mot venstre eller høyre.
Turtallet reduseres kraftig.	Batteriet er utladet.	▶ Ta ut batteriet og lad det opp.
Batteriet går ikke hørbart i lås.	Festetappene på batteriet er skitne.	▶ Rengjør festetappene.
Batteriet blir raskere tomt enn vanlig.	Svært lave omgivelses-temperaturer.	▶ Varm batteriet langsomt opp til romtemperatur.

10 Avhending

Hilti-apparater er i stor grad laget av resirkulerbart materiale. En forskriftsmessig materialsortering er en forutsetning for resirkulering. I mange land tar **Hilti** ditt gamle apparat i retur. Spør **Hilti** kundeservice eller forhandleren din.

Avhending av batterier

Ved ukyndig avhending av batterier kan gasser eller væsker som lekker ut, representere helsefare.

- ▶ Ikke send skadde batterier i posten eller på annen måte!
- ▶ Dekk til kontaktene med et ikke-ledende materiale for å unngå kortslutning.
- ▶ Kasser batterier slik at de er utilgjengelige for barn.
- ▶ Lever inn batteriet i nærmeste **Hilti Store**, eller kontakt et lokalt renovasjonsfirma.



- ▶ Kast aldri elektroverktøy, elektronisk utstyr eller batterier i husholdningsavfallet!

11 RoHS (direktiv for begrensning av bruk av farlige stoffer)

Under følgende lenke finner du tabellen over farlige stoffer: qr.hilti.com/r4838535.

Du finner en lenke til RoHS-tabellen helt til slutt i denne dokumentasjonen som QR-kode.

12 Produsentgaranti

- ▶ Når det gjelder spørsmål om garantibetingelser, ber vi deg kontakte din lokale **Hilti**-partner.



1 Dokumentaation tiedot

1.1 Tästä dokumentaatiosta

- Lue ehdottomasti tämä dokumentaatio ennen tuotteen käyttöönottoa. Se on turvallisen työn teon ja tuotteen ongelmattoman käsittelyn perusedellytys.
- Noudata tässä dokumentaatiossa ja tuotteessa olevia turvallisuus- ja varoitushuomautuksia.
- Säilytä käyttöohje aina tuotteen yhteydessä ja varmista, että käyttöohje on mukana, kun luovutat tuotteen toiselle henkilölle.

1.2 Merkkien selitykset

1.2.1 Varoitushuomautukset

Varoitushuomautukset varoittavat tuotteen käyttöön liittyvistä vaaroista. Seuraavia varoitustekstejä käytetään:



VAKAVA VAARA

VAKAVA VAARA !

- ▶ Varoittaa uhkaavasta vaaratilanteesta, josta voi seurauksena olla vakava loukkaantuminen tai jopa kuolema.



VAARA

VAARA !

- ▶ Varoittaa mahdollisesta vaarasta, josta voi seurauksena olla vakava loukkaantuminen tai kuolema.



VAROITUS

VAROITUS !

- ▶ Varoittaa mahdollisesta vaaratilanteesta, josta voi seurata loukkaantuminen tai aineellinen vahinko.

1.2.2 Symbolit dokumentaatiossa

Tässä dokumentaatiossa käytetään seuraavia symboleita:

	Lue käyttöohje ennen käyttämistä
	Toimintaohjeita ja muuta hyödyllistä tietoa
	Kierrätyskelpoisten materiaalien käsittely
	Älä hävitä sähkölaitteita ja akkuja tavallisen sekajätteen mukana

1.2.3 Symbolit kuvissa

Kuvissa käytetään seuraavia symboleita:

	Nämä numerot viittaavat vastaavaan kuvaan tämän käyttöohjeen alussa
	Numerointi kertoo työvaiheiden järjestyksen kuvissa ja saattaa poiketa numeroinnista tekstissä
	Kohtanumeroita käytetään kuvassa Yleiskuva , ja ne viittaavat kuvatekstien numerointiin kappa-leessa Tuoteyhteenveto
	Tämän merkin tarkoitus on kiinnittää erityinen huomiosi tuotteen käyttöön ja käsittelyyn.

1.3 Tuotekohtaiset symbolit

1.3.1 Symbolit tuotteessa

Tuotteessa voidaan käyttää seuraavia symboleita:



	Langaton tiedonsiirto
	Käytettävien Hilti -litiumioniakkujen tyyppisarja. Ota kappaleessa Tarkoituksenmukainen käyttö annetut tiedot huomioon.
	Suojausluokka II (kaksinkertainen eristys)
n_0	Nimellisjoutokäyntikierrosluku
/min	Kierrosta minuutissa

1.4 Tuotetiedot

HILTI -tuotteet on tarkoitettu ammattikäyttöön, ja niitä saa käyttää, huoltaa tai korjata vain valtuutettu, koulutettu henkilö. Käyttäjän pitää olla hyvin perillä käyttöön liittyvistä vaaroista. Tuote ja sen varusteet saattavat aiheuttaa vaaratilanteita, jos kokemattomat henkilöt käyttävät tuotetta ohjeiden vastaisesti tai muutoin asiattomasti.

Tyypimerkinnän ja sarjanumeron löydät tyyppikilvestä.

- ▶ Kirjoita sarjanumero ohaiseen taulukkoon. Tuotteen tiedot tarvitaan, jos esität kysymyksiä myynti- tai huoltoedustajallemme.

Tuotetiedot

Akkukäyttöinen iskevä mutteriväännin	SIW 9-A22
Sukupuoli:	01
Sarjanumero:	

1.5 Vaatimustenmukaisuusvakuutus

Vakuutamme, että tässä kuvattu tuote täyttää voimassa olevien direktiivien ja standardien vaatimukset. Kuva vaatimustenmukaisuusvakuutuksesta on tämän dokumentaation lopussa.

Tekninen dokumentaatio löytyy tästä:

Hilti Entwicklungsgesellschaft mbH | Zulassung Geräte | Hiltistraße 6 | 86916 Kaufering, DE

2 Turvallisuus

2.1 Sähkötyökaluja koskevat yleiset turvallisuusohjeet

⚠ VAKAVA VAARA Lue kaikki turvallisuus- ja käyttöohjeet, selostukset ja tekniset tiedot, jotka liittyvät tähän sähkötyökaluun. Seuraavien ohjeiden noudattamatta jättäminen saattaa johtaa sähköiskuun, tulipaloon ja/tai vakavaan loukkaantumiseen.

Säilytä kaikki turvallisuus- ja käyttöohjeet huolellisesti vastaisen varalle.

Turvallisuusohjeissa käytetty käsite "sähkötyökalu" tarkoittaa verkkokäyttöisiä sähkötyökaluja (joissa verkkojohto) ja akkukäyttöisiä sähkötyökaluja (joissa ei verkkojohtoa).

Työpaikan turvallisuus

- ▶ **Pidä työskentelyalue siistinä ja hyvin valaistuna.** Työpaikan epäjärjestys ja valaisemattomat työalueet voivat johtaa tapaturmiin.
- ▶ **Älä käytä sähkötyökalua räjähdysalttiissa ympäristössä, jossa on syttyvää nestettä, kaasua tai pölyä.** Sähkötyökalut synnyttävät kipinöitä, jotka saattavat sytyttää pölyn tai höyryä.
- ▶ **Pidä lapset ja sivulliset loitolla sähkötyökalua käyttäessäsi.** Voit menettää koneen hallinnan huomiosi suuntautuessa muualle.

Sähköturvallisuus

- ▶ **Sähkötyökalun pistokkeen pitää sopia pistorasiaan. Pistoketta ei saa muuttaa millään tavalla. Älä käytä pistorasia-adaptoreita suojamaadotettujen sähkötyökalujen yhteydessä.** Alkuperäisessä kunnossa olevat pistokkeet ja sopivat pistorasiat vähentävät sähköiskun vaaraa.
- ▶ **Vältä koskettamasta sähköä johtaviin pintoihin kuten putkiin, pattereihin, liesiin ja jääkaappeihin.** Sähköiskun vaara kasvaa, jos kehosi maadottuu.
- ▶ **Älä aseta sähkötyökalua alttiiksi sateelle tai kosteudelle.** Veden tunkeutuminen sähkötyökalun sisään lisää sähköiskun vaaraa.



- ▶ **Älä kannna tai ripusta sähkötyökäluu verkkojohdoſtaan äläkä vedä piſtoketta irti piſtoriaſiaſta johdoſta vetämällä. Piäjä johto loitolla kuumuudeſta, öljyſtää, teräviſtää reunoista ja liikkuvia oſiſta.** Vahingoittuneet tai toiſiina kietoutuneet johdot liſäävät sähköiſkun vaaraa.
- ▶ **Kun käyät sähkötyökäluu ulkona, käyät ainoaſtaan ulkokäyttöön ſoveltuvia jatkojohtoja.** Ulko-käyttöön ſoveltuvan jatkojohdon käyttö pienentää sähköiſkun vaaraa.
- ▶ **Jos sähkötyökäluu on välttämätöntä käyttää koſteaaſsa ympäriſtöſsä, käytä vikavirtaſuojakytkintä.** Vikavirtaſuojakytkimen käyttö pienentää sähköiſkun vaaraa.

Henkilöturvalliſuus

- ▶ **Ole valpaſa, kiinnitä huomiota työſkentelyſi ja noudata tervettä järkää sähkötyökäluu käyttäeſſäſi.** Älä käytä sähkötyökäluu, joſ olet väſynyt tai huumeiden, alkoholin tai lääkkeiden vaikutuſen alaſena. Sähkötyökäluu käytettäeſſä hetkellinenkin varomattomuus ſaattaa aiheuttaa vakavia vammoja.
- ▶ **Käytä henkilökohtaiſia ſuojavaruſteita ja aina ſuojalajeja.** Henkilökohtaiſet ſuojavaruſteet, kuten hengityſſuojain, luſtamattomat turvajalkineet, kypärä ja kuuloſuojaimet, pienentävät oikein käytettyinä loukkaantumiriſkiä sähkötyökäluun käyttötilanteeſta riippuen.
- ▶ **Varo tahatonta käynnistämiſtä. Varmista, että sähkötyökäluu on kytketty poiſ päältä, ennen kuin liität ſen verkkovirtaan ja/tai liität ſiihen akun, otat ſen käteſi tai kannat ſitää.** Joſ kannat sähkötyökäluu ſormi käyttökytkimellä tai liität piſtokkeen piſtoriaſiaan käyttökytkimen olleſſa käyntiaſennolla, altiat itſeſi onnettomuuſille.
- ▶ **Poiſta kaikki ſäätötyökäluu ja ruuvitalat, ennen kuin käynnität sähkötyökäluu.** Työkäluu tai avain, joka ſijaitſee koneen pyöriväſſä oſaſsa, ſaattaa johtaa loukkaantumieſeen.
- ▶ **Vältä vaikeita työſkentelyaſentoja. Varmista aina tukeva ſeiſoma-aſento ja taſapaino.** Siten voi paremmin hallita sähkötyökäluu odottamattomiiſa tilanteiiſa.
- ▶ **Käytä työhöiſi ſoveltuvia vaatteita. Älä käytä löyſiä työvaatteita tai koruja. Piäjä hiuſket, vaatteet ja käſineet loitolla liikkuvia oſiſta.** Välijät vaatteet, korut ja pitkäät hiuſket voivat takertua liikkuviin oſiin.
- ▶ **Jos pölynpoiſto- ja keräilylaitteita voidaan aſentaa, ſinun on tarkaſtettava, että ne on liitetty oikein ja että niitä käytetään oikealla tavalla.** Pölynpoiſtovaruſtuſen käyttö vähentää pölyn aiheuttamia vaaroja.
- ▶ **Älä tuudittaudu virheelliſeen turvalliſuuden tunteeſeen äläkä laiminlyö sähkötyökäluu koſkevia turvalliſuuoheita ſilloinkaan, kun mieleſtäſi jo olet kokenut sähkötyökäluun käyttäjä. Harkitſema-ton ja huolimaton toiminta voi ſekunnin murto-oſiſsa johtaa vakaviin loukkaantumiiſiin.**

Sähkötyökäluun käyttö ja käſittely

- ▶ **Älä ylikuormita konetta. Käytä kyſeiſeen työhön tarkoitettua sähkötyökäluu.** Sopivaa sähkötyökäluu käyttäen työſken-telet paremmin ja varmemmin tehoalueella, jolle sähkötyökäluu on tarkoitettu.
- ▶ **Älä käytä sähkötyökäluu, jonka käyttökytkin ei toimi.** Sähkötyökäluu, jota ei enää voida käynnistäää ja pſyſäyttää käyttökytkimellä, on vaarallinen ja ſe täytyy korjata.
- ▶ **Irrota piſtöke piſtoriaſiaſta ja/tai irrota akku ennen kuin muutat ſäätöjä, vaihdat terää tai liſäva-ruſteita ja kun lopetat koneen käyttämiſen.** Tämä turvatoimenpide eſtää sähkötyökäluun tahattoman käynniiſyriſkin.
- ▶ **Säilytä sähkötyökäluu poiſſa laſten ulottuvilta, kun niitä ei käytetä. Älä anna toiſten henkilöiden käyttää konetta, elleivät he ole perehtyneet ſen käyttöön ja lukeneet käyttöoheja.** Sähkötyökäluu ovat vaaralliiſia, joſ niitä käytävät kokemattomat henkilöt.
- ▶ **Hoida sähkötyökäluu ja niiden varuſteita huolella. Tarkaſta, että liikkuvat oſat toimivat moit-teettomaaſti eivätkä ole puriſtuksiiſa, ja tarkaſta myöſ, ettei sähkötyökäluu ole murtuneita tai vaurioituneita oſia, jotka ſaattaiſivat haitata ſen toimintaa. Korjautta vaurioituneet oſat ennen koneen käyttämiſtä.** Uſein loukkaantumien ja tapaturmien ſyynä on sähkötyökäluun laiminlyöty huolto.
- ▶ **Piäjä terät terävinä ja puhtaina.** Huolella hoidetut terät, joiden leikkaſreunat ovat teräviä, eiväät jumitu herkäſti, ja niillä työnteko on kevyempää.
- ▶ **Käytä sähkötyökäluu, liſävaruſteita ja tarvikkeita, teriä jne. niiden käyttöoheiden mukaiſeſti. Ota tällöin työoloſuhteet ja ſuoritettava työtehtävä huomioon.** Sähkötyökäluun käyttö muuhun kuin ſille tarkoitettuun käyttöön ſaattaa johtaa vaaralliſiin tilanteiiſiin.
- ▶ **Piäjä käſikahvat ja tartuntapinnat kuivina, puhtaina, öljyttöminä ja raſvattomina.** Joſ käſikahvat tai tartuntapinnat ovat liukkaat, sähkötyökäluun turvallinen käyttö ja hallinta voi yllättäviiſä tilanteiiſa olla mahdotonta.

Akkukäyttöiſen sähkötyökäluun käyttö ja käſittely

- ▶ **Lataa akku vain valmistajan ſuositamalla laturilla.** Joſ laturi on tarkoitettu vain tietyn akkumallin lataamiſeen, palovaara on olemaaſsa, joſ laturia käytetään muiden akkujen lataamiſeen.
- ▶ **Käytä ainoaſtaan juuri kyſeiſeen sähkötyökäluun tarkoitettua akkuu.** Jonkun muun akun käyttö ſaattaa johtaa loukkaantumieſeen ja tulipaloon.



- ▶ **Pidä irrallinen akku loitolla metalliesineistä, kuten paperinliittimistä, kolikoista, avaimista, nau-loista, ruuveista tai muista pienistä metalliesineistä, jotka voivat oikosulkea akun liittimet.** Akun liittimien välinen oikosulku saattaa aiheuttaa palovammoja tai johtaa tulipaloon.
- ▶ **Väärästä käytöstä johtuen saattaa akusta vuotaa nestettä, jota ei saa koskettaa. Vältä kosketusta sen kanssa. Tarvittaessa huuhtelee kosketuskohta vedellä. Jos nestettä pääsee silmiin, tarvitaan lisäksi lääkärin apua.** Akusta vuotava neste saattaa aiheuttaa ärsytystä ja palovammoja.
- ▶ **Älä käytä akkua, joka on vaurioitunut tai johon on tehty muutoksia.** Vaurioitunut akku tai akku, jota on muutettu, saattaa käyttäytyä yllättävästi ja aiheuttaa tulipalon, räjähdyksen ja vammoja.
- ▶ **Varjele akkua avotulelta ja korkeilta lämpötiloilta.** Avotuli tai yli 130 °C:n (265 °F) lämpötila voi aiheuttaa räjähdyksen.
- ▶ **Noudata kaikkia akun lataamisesta annettuja ohjeita, ja lataa akku tai akun sisältävä sähkötyökalu aina käyttöohjeessa mainittuja lämpötilarajoja noudattaen.** Akun virheellinen lataaminen tai lataami-nen sallitun lämpötila-alueen lämpötiloja noudattamatta saattaa johtaa akun tuhoutumiseen ja aiheuttaa tulipalovaaran.

Huolto

- ▶ **Anna koulutettujen ammattihenkilöiden korjata sähkötyökalusi ja hyväksy korjauksiin vain alkupe-räisiä varaosia.** Siten varmistat koneen turvallisuuden säilymisen.
- ▶ **Älä koskaan yritä huoltaa vaurioitunutta akkua.** Akkujen kaikki huoltotyöt saa suorittaa vain valmistaja tai sen valtuuttama huoltopiste.

2.2 Lisää ruuvainten turvallisuusohjeita

Henkilöturvallisuus

- ▶ Käytä vain tuotetta, joka on teknisesti moitteettomassa kunnossa.
- ▶ Älä koskaan tee koneeseen minkäänlaisia muutoksia.
- ▶ Käytä koneen mukana toimitettuja lisäkäsikahvoja. Koneen hallinnan menettäminen saattaa aiheuttaa loukkaantumisia.
- ▶ Pidä aina molemmin käsin kiinni koneen käsikahvoista. Pidä käsikahvat kuivina ja puhtaina.
- ▶ Pidä koneesta kiinni vain sen eristetyistä kahvapinnoista, jos teet työtä, jossa terä saattaa osua rakenteen sisällä olevaan virtajohtoon. Jos terä osuu virtajohtoon, koneen metalliosiin saattaa johtua virta, jolloin saatat saada sähköiskun.
- ▶ Varo, ettet koske pyöriviin osiin - loukkaantumisvaara!
- ▶ Konetta käyttäessäsi käytä soveltuvia suojalaseja, suojakypärää, kuulosuojaimia, suojakäsineitä ja kevyttä hengityssuojainta.
- ▶ Käytä työkaluterän vaihdossa suojakäsineitä. Työkaluterän koskettaminen saattaa aiheuttaa haavoja ja palovammoja.
- ▶ Käytä suojalaseja. Sirkaleet saattavat aiheuttaa vammoja ja vahingoittaa silmiä.
- ▶ Selvitä työssä syntyvän pölyn vaarallisuus ennen työn aloittamista. Käytä rakennustyömaakäyttöön hyväksyttyä pölynimuria, joka täyttää viralliset pölysuojalukuitusmääräykset. Tietyjen materiaalien kuten lyijypitoisen maalin, joidenkin puulajien, kvartsia sisältävän betonin / muurauksen / kivityksen ja mineraalien sekä metallien pölyt voivat olla terveydelle vaarallisia.
- ▶ Varmista työpisteen hyvä tuuletus ja tarvittaessa käytä hengityssuojainta, joka soveltuu kyseessä olevalla pölylle. Pölyjen ihokosketus tai hengittäminen saattaa aiheuttaa allergisia reaktioita ja/tai hengitystiesairauksia koneen käyttäjälle tai lähellä oleville henkilöille. Tietyt pölyt kuten tammen tai pyökin pöly on luokiteltu syöpää aiheuttaviksi, erityisesti jos niihin liittyy puunkäsittelyn lisäaineita (kromaatti, puunsuoja-aineet). Asbestia sisältäviä materiaaleja saavat työstää vain erikoiskoulutetut henkilöt.
- ▶ Pidä työssäsi taukoja, joiden aikana tee sormivoimisteluliikkeitä varmistaaksesi sormiesi hyvän verenkeri-ron. Pitempään jatkuva työnteko saattaa täninän vuoksi aiheuttaa verenkiertohäiriöitä tai sormien, käsien ja ranteiden hermokipuja.

Sähköturvallisuus

- ▶ Tarkasta ennen työn aloittamista, onko työskentelyalueella rakenteiden sisälle asennettuja sähköjohtoja tai kaasu- ja vesiputkia. Koneen ulkopinnan metalliosista saatat saada sähköiskun, jos vahingossa osut sähköjohtoon.

Sähkötyökalujen käyttö ja hoito

- ▶ Kytke sähkötyökalu heti pois päältä, jos terä jumittuu. Kone saattaa pyrkiä liikkumaan sivusuunnassa.
- ▶ Odota, että sähkötyökalu on täysin pysähtynyt, ennen kuin lasket sen kädestäsi.

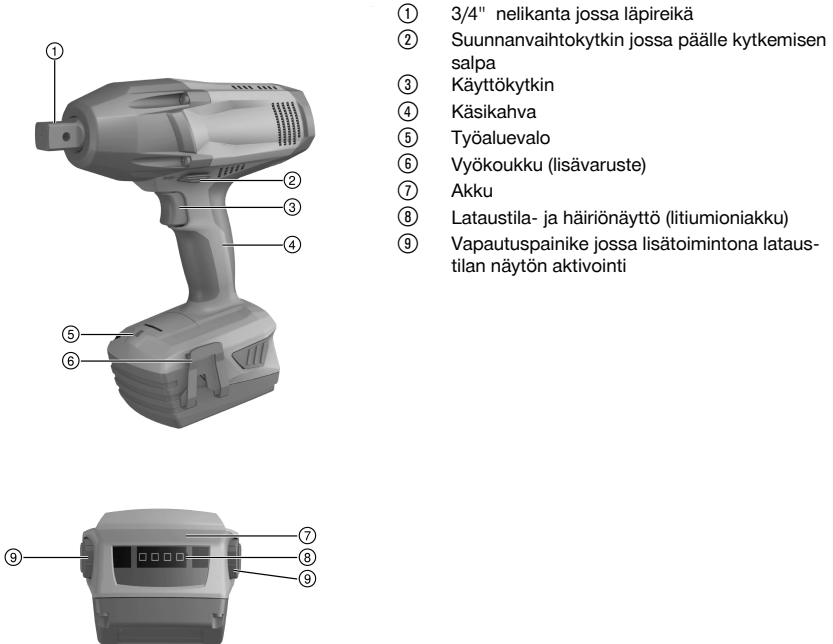


2.3 Akkujen käyttö ja hoito

- ▶ Ota litiumioniakkujen kuljettamisesta, varastoinnista ja käyttämisestä annetut erityisohjeet huomioon.
- ▶ Suojaa akut korkeilta lämpötiloilta, suoralta auringonpaisteelta ja avotulelta.
- ▶ Akkuja ei saa avata, puristaa, kuumentaa yli 80 °C:n lämpötilaan tai polttaa.
- ▶ Älä käytä tai lataa akkua, joka on saanut iskun, joka on pudonnut yli metrin korkeudelta tai joka on muulla tavoin vaurioitunut. Tällaisessa tapauksessa ota aina yhteys **Hilti -huoltoon**.
- ▶ Jos akku on liian kuuma koskea, se saattaa olla vaurioitunut. Aseta tuote riittävän etäälle syttyvistä materiaaleista palovarattomaan paikkaan, jossa voit valvoa tuotetta, ja anna sen jäähtyä. Tällaisessa tapauksessa ota aina yhteys **Hilti -huoltoon**.

3 Kuvaus

3.1 Tuoteyhteenveto



3.2 Tarkoituksenmukainen käyttö

Kuvattu tuote on käsiohjattava akkukäyttöinen iskevä mutteriväännin. Se on tarkoitettu ruuvien ja pulttien muttereiden, kiinnitysankkureiden ja puuruuvien kiristämiseen ja irti kiertämiseen. Työkaluistukassa on nelikanta, jossa on läpireikä.

Iskevää mutteriväännintä ei saa käyttää käyttötarkoituksiin, jotka vaativat tarkkaa/määritettyä vääntömomenttia. Muutoin on olemassa vaara, että kierteen vääntyvät rikki ja ruuvi tai kiinnitettävä osa vaurioituu.

- ▶ Käytä tässä tuotteessa vain B 22 -tyyppisarjan **Hilti**-litiumioniakkuja.
- ▶ Käytä näiden akkujen lataamiseen vain C4/36-sarjan **Hilti**-latureita.

3.3 Toimituksen sisältö

Iskevä mutteriväännin, käyttöohje.





Käyttöturvallisuuden varmistamiseksi käytä vain alkuperäisiä varaosia ja käyttömateriaaleja. Tälle tuotteelle hyväksytyjä varaosia, kulutusmateriaaleja ja lisävarusteita löydät **Hilti Store** -liikkeestä tai osoitteesta: www.hilti.group | USA: www.hilti.com

3.4 Litiumioniakun näyttö

Litiumioniakun lataustila ja koneen häiriöt näytetään litiumioniakun näytössä. Litiumioniakun lataustila näytetään, kun jompaakumpaa akun lukituksen vapautuspainikkeista painetaan kevyesti.

Tila	Merkitys
4 LED-merkkivaloa palaa.	Lataustila: 75 % ... 100 %
3 LED-merkkivaloa palaa.	Lataustila: 50 % ... 75 %
2 LED-merkkivaloa palaa.	Lataustila: 25 % ... 50 %
1 LED-merkkivalo palaa.	Lataustila: 10 % ... 25 %
1 LED-merkkivalo vilkkuu, kone on toimintavalmis.	Lataustila: < 10 %
1 LED-merkkivalo vilkkuu, kone ei ole toimintavalmis.	Akku on ylikuumentunut.
4 LED-merkkivaloa vilkkuu, kone ei ole toimintavalmis.	Kone on ylikuumentunut tai ylikuumentunut.



Akun lataustilan tarkastaminen ei ole mahdollista käyttökäytin painettuna ja 5 sekunnin aikana käyttökäytimen vapauttamisesta. Jos akun LED-merkkivalot vilkkuvat, ota huomioon ohjeet kappaleessa Apua häiriötilanteisiin.

4 Tekniset tiedot

4.1 Iskevä mutteriväännin

Nimellisjännite	21,6 V _{DC}
Paino EPTA 01 mukaan	3,6 kg
Nimellisjoutokäyntikierrosluku	1 400/min
Iskutaajuus	2 200/min
Ympäristön lämpötila käytettäessä	-17 °C ... 60 °C
Varastointilämpötila	-20 °C ... 70 °C

4.2 Akku

Akkutoimintajännite	21,6 V
Ympäristön lämpötila käytettäessä	-17 °C ... 60 °C
Varastointilämpötila	-20 °C ... 40 °C
Akun lämpötila lataamisen alkaessa	-10 °C ... 45 °C

4.3 Melutiedot ja värinäarvot EN 60745 mukaan

Tässä käyttöohjeessa annetut äänenpaine- ja värinäarvot on mitattu standardoitujen mittausten menetelmien mukaisesti, ja näitä arvoja voidaan käyttää sähkötyökalujen vertailussa. Ne soveltuvat myös altistumisten tilapäiseen arviointiin. Annetut arvot koskevat sähkötyökalun pääasiallisia käyttötarkoituksia. Jos sähkötyökalua kuitenkin käytetään muihin tarkoituksiin, poikkeavia työkaluja tai teriä käyttäen tai puutteellisesti huollettuna, arvot voivat poiketa tässä ilmoitetuista. Tämä saattaa merkittävästi lisätä altistumista koko työskentelyajan aikana. Altistumisia tarkasti arvioitaessa on otettava huomioon myös ne ajat, jolloin kone on kytketty pois päältä tai jolloin kone on päällä, mutta sillä ei tehdä varsinaista työtä. Tämä saattaa merkittävästi vähentää altistumista koko työskentelyajan aikana. Käyttäjän suojaamiseksi melun ja/tai värinän vaikutukselta ryhdy tarpeellisiin turvatoimenpiteisiin kuten: Sähkötyökalun ja siihen kiinnitettävien työkaluterien huolto, käsien lämpimänä pitäminen, työtehtävien organisointi.



Melupäästöarvot

Melupäästön äänenpainetaso (L_{pA})	98,5 dB(A)
Äänenpainetason epävarmuus (K_{pA})	3 dB(A)
Äänitehotaso (L_{WA})	109,5 dB(A)
Äänitehotason epävarmuus (K_{WA})	3 dB(A)

Tärinän kokonaisarvot

Tärinäarvo suurimpien sallittujen ruuvien ja muttereiden kiristyksessä (a_h)	7 m/s ²
Epävarmuus (K)	1,5 m/s ²

5 Työkohteen valmistelu**5.1 Akun lataus**

- Ennen lataamista lue laturin käyttöohje.
- Varmista, että liittimet akussa ja laturissa ovat puhtaat ja kuivat.
- Lataa akku hyväksytyllä laturilla.

5.2 Akun kiinnitys**⚠ VAROITUS****Loukkaantumisvaara akun oikosulun tai putoamisen seurauksena!**

- ▶ Ennen akun paikalleen laittamista varmista, ettei akun liittimissä akussa ja tuotteessa ole vieraita esineitä.
- ▶ Varmista, että akku aina lukittuu kunnolla paikalleen.

- Lataa akku täyteen ennen ensimmäistä käyttökertaa.
- Aseta akku kiinnikkeeseen koneessa siten, että akku kuultavasti lukittuu.
- Tarkasta, että akku on kunnolla kiinni.

5.3 Akun irrotus

- Paina akun lukituksen vapautuspainikkeita.
- Vedä akku irti kiinnikkeestä koneessa.

5.4 Hylsyavaimen (työkalun) kiinnitys 2**⚠ VAROITUS****Loukkaantumisvaara** Jos käytät vääränlaista työkalua!

- ▶ Käytä ainoastaan työkaluja, joissa on lukitus.
- ▶ Älä käytä kuluneita tai vaurioituneita työkaluja.

⚠ VAROITUS**Loukkaantumisvaara** lukkorenkaan kulumisen tai vaurioitumisen vuoksi

- ▶ Älä käytä kulunutta tai vaurioitunutta lukkorengasta.

- Kytke suunnanvaihtokytkin keskiasentoon tai irrota koneesta akku.
- Aseta hylsyavain koneen nelikantakaraan.



Suuntaa hylsyavain siten, että hylsyavaimen kiinnityksen reikä on kohdakkain nelikantakaran reiän kanssa.



3. Jos seuraava edellytys täyttyy, tee lisäksi tämä toimenpide:

Edellytykset: Käytettäessä O-rengasta ja lukitustappia.

- ▶ Irrota O-renkas hylsyavaimen urasta. Laita lukitustappi hylsyavaimen ja nelikantakaran reikään. Laita sitten O-renkas takaisin hylsyavaimen uraan.

4. Jos seuraava edellytys täyttyy, tee lisäksi tämä toimenpide:

Edellytykset: Käytettäessä lukkorengasta.

- ▶ Laita lukkorengas hylsyavaimeen.

5.5 Hylsyavaimen (työkalun) irrotus

1. Kytke suunnanvaihtokytkin keskiasentoon tai irrota koneesta akku.
2. Irrota lukkorengas tai O-renkas ja lukitustappi hylsyavaimesta.
3. Irrota hylsyavain koneen nelikantakarasta.

5.6 Vyökoukun (lisävaruste) kiinnitys

VAARA

Loukkaantumisvaara Koneen putoamisen aiheuttama vaara.

- ▶ Putoamaan pääsevä kone saattaa aiheuttaa vaaran sinulle tai muille lähellä oleville. Ennen työn aloittamista tarkasta, että vyökoukku on kunnolla kiinnitetty.



Vyökoukun avulla voit kiinnittää koneen vyöhösi käden ulottuville. Vyökoukku voidaan kiinnittää koneen kantamiseksi vasemmalla tai oikealla puolella.

1. Irrota akku. → Sivu 58
2. Laita vyökoukku sille tarkoitettuun aukkoon tuotteen varsiosassa.
3. Kiinnitä vyökoukku kahdella ruuvilla.

5.7 Hilti-putoamisvarmistimen (lisävaruste) asennus

HUOMIO

Tuotteen ja/tai putoamisvarmistinliinan vaurio. Väärä käsittely saattaa johtaa tuotteen ja/tai putoamisvarmistinliinan vaurioitumiseen.

- ▶ Älä käytä metalliketjuja putoamisvarmistinliinana. Älä käytä putoamisvarmistinliinaa, jonka pituus on yli 2,0 m (6 ft).



Vaurioiden välttämiseksi suositamme, että käytät **Hilti**-putoamisvarmistinta, jos teet työtä lattia-/maapintatasoa korkeammalla.

Putoamisvarmistin mahdollistaa turvavaijerin/-liinan kiinnittämisen.

Tuotetta käytettäessä on noudatettava lattia-/maapintatasoa korkeammalla tehtäviä töitä koskevia kansallisia määräyksiä.

1. Irrota akku. → Sivu 58
2. Ohjaa putoamisvarmistimen kummatkin nokat koneen varsiosassa molemmilla puolilla oleviin uriin.
3. Kiinnitä putoamisvarmistin ruuveillaan.
4. Kiinnitä akku paikalleen. → Sivu 58

6 Työskentely

6.1 Pyörimissuunnan valinta



Suunnanvaihtokytkimen keskiasento toimii päälle kytkemisen salpana.

- ▶ Paina suunnanvaihtokytkin asentoon pyörimissuunta oikealle tai pyörimissuunta vasemmalle.



6.2 Kytkeminen päälle

- ▶ Paina käyttökytkintä.
 - ↳ Kierroslukua säätyy kytkimen painamissyvyyden mukaisesti.



Älä ylikuormita tuotetta. Jos tuote on lämminnyt voimakkaasti, anna sen jäähtyä muutaman minuutin ajan.

6.3 Kytkeminen pois päältä

- ▶ Vapauta käyttökytkin.

7 Huolto, hoito ja kunnossapito



VAARA

Loukkaantumisvaara jos akku paikallaan !

- ▶ Irrota akku aina ennen hoito- ja kunnostustöitä!

Koneen hoito

- Poista pinttynyt lika varovasti.
- Puhdista jäähdytysilmaraot varovasti kuivalla harjalla.
- Käytä kotelon puhdistamiseen vain kevyesti kostutettua kangasta. Älä käytä silikonia sisältäviä hoitoaineita, sillä ne voivat vaurioittaa muoviosia.

Litiumioniakkujen hoito

- Pidä akku puhtaana, öljyttömänä ja rasvattomana.
- Käytä kotelon puhdistamiseen vain kevyesti kostutettua kangasta. Älä käytä silikonia sisältäviä hoitoaineita, sillä ne voivat vaurioittaa muoviosia.
- Varo, ettei kosteutta pääse tunkeutumaan sisään.

Kunnossapito

- Tarkasta säännöllisin välein kaikkien näkyvien osien mahdolliset vauriot ja käyttöelementtien moitteeton toiminta.
- Jos havaitset vaurioita ja / tai toteat toimintahäiriöitä, älä käytä tuotetta. Korjauta heti **Hilti**-huollossa.
- Hoito- ja kunnostustöiden jälkeen kiinnitä kaikki suojalaitteet ja tarkasta niiden toiminta.



Käyttöturvallisuuden varmistamiseksi käytä vain alkuperäisiä varaosia ja käyttömateriaaleja. Tälle tuotteelle hyväksytyjä varaosia, kulutusmateriaaleja ja lisävarusteita löydät **Hilti Store** -liikkeestä tai osoitteesta: www.hilti.group.

8 Akkukäyttöisten koneiden kuljetus ja varastointi

Kuljettaminen



VAROITUS

Käynnistyminen vahingossa kuljetuksen aikana !

- ▶ Kuljeta tuotteesi aina akku irrotettuna!
- ▶ Irrota akut.
- ▶ Älä koskaan kuljeta akkuja irrallaan muiden tavaroiden joukossa.
- ▶ Pitemmän kuljetuksen jälkeen tarkasta koneen ja akkujen mahdolliset vauriot ennen käyttöä.

Varastointi



VAROITUS

Viallinen tai vuotava akku voi aiheuttaa vaurioita !

- ▶ Varastoi tuotteesi aina akku irrotettuna!
- ▶ Varastoi kone ja akut viileässä ja kuivassa paikassa.
- ▶ Älä koskaan varastoi akkuja auringonpaisteessa, lämmittimen tai patterin päällä tai ikkunan vieressä.
- ▶ Varastoi kone ja akut lasten ja asiattomien henkilöiden ulottumattomissa.
- ▶ Pitemmän varastoinnin jälkeen tarkasta kone ja akkujen mahdolliset vauriot ennen käyttöä.



9 Apua häiriötilanteisiin

Häiriöissä, joita ei ole kuvattu tässä taulukossa tai joita et itse pysty poistamaan, ota yhteys **Hilti**-huoltoon.

9.1 Apua häiriötilanteisiin

Häiriöissä, joita ei ole kuvattu tässä taulukossa tai joita et itse pysty poistamaan, ota yhteys **Hilti**-huoltoon.

Häiriö	Mahdollinen syy	Ratkaisu
Kone ei käynnisty.	1 LED-merkkivalo vilkkuu: Akku on tyhjä.	► Irrota akku ja lataa se.
	Akkua ei ole kiinnitetty oikein paikalleen.	► Akun pitää kuultavasti lukittua. Irrota akku ja kiinnitä se uudelleen paikalleen.
	1 LED-merkkivalo vilkkuu: Akku on liian kuuma tai liian kylmä.	► Anna akun jäähtyä tai lämmitä käyttölämpötilaan.
	4 LED-merkkivaloa vilkkuu: Kone on hetkellisesti ylikuormittunut	► Vapauta käyttökytkin ja paina sitä uudelleen.
Käyttökytkintä ei saa painettua.	Suunnanvaihtokytkin on keskiasennossa.	► Paina suunnanvaihtokytkin vasemmalle tai oikealle.
Kierroslukua laskee runsaasti.	Akku tyhjentynyt.	► Irrota akku ja lataa se.
Akku ei kuultavasti lukitu paikalleen.	Akun salpanokat likaantuneet.	► Puhdista salpanokat.
Akku tyhjenee tavallista nopeammin.	Erittäin alhainen ympäristön lämpötila.	► Anna akun hitaasti lämmitä huoneenlämpötilaan.

10 Hävittäminen

Hilti-työkalut, -koneet ja -laitteet on pääosin valmistettu kierrätyskelpoisista materiaaleista. Kierrätysen edellytys on materiaalien asianmukainen lajittelu. Useissa maissa **Hilti** ottaa vanhat koneet ja laitteet vastaan kierrätystä ja hävitystä varten. Lisätietoja saat **Hilti**-huollosta tai -edustajalta.

Akkujen hävittäminen

Määräystenvastaisten hävittämisen seurauksena akuista ulos pääsevät kaasut tai nesteet voivat vaarantaa terveyden.

- Älä lähetä vaurioituneita akkuja!
- Peitä liitännät sähköä johtamattomalla materiaalilla oikosulkujen välttämiseksi.
- Hävitä akut siten, etteivät ne voi joutua lasten käsiin.
- Hävitä akku viemällä se **Hilti Store** -liikkeeseen tai käänny vastuullisen jätteenkäsittely-yrityksen puoleen.



- Älä hävitä sähkötyökaluja, elektronisia laitteita ja akkuja tavallisen sekajätteen mukana!

11 RoHS (vaarallisten aineiden käytön rajoittamisen direktiivi)

Vaarallisten aineiden taulukon löydät seuraavasta linkistä: qr.hilti.com/r4838535.
Linkki RoHS-taulukkoon on tämän dokumentaation lopussa QR-koodina.

12 Valmistajan myöntämä takuu

- Jos sinulla on takuuehtoihin liittyviä kysymyksiä, ota yhteys paikalliseen **Hilti**-edustajaan.



1 Andmed dokumentatsiooni kohta

1.1 Kasutusjuhend

- Enne seadme kasutuselevõttu lugege see kasutusjuhend läbi. See on ohutu kasutamise ja tõrgeteta töö eeldus.
- Järgige kasutusjuhendis esitatud ja tootele märgitud ohutusnõudeid ja hoiatusi.
- Hoidke kasutusjuhend alati seadme juures ja toote edasiandmisel teistele isikutele andke üle ka kasutusjuhend.

1.2 Märkide selgitus

1.2.1 Hoiatused

Hoiatused annavad märku toote kasutamisel tekkivatest ohtudest. Kasutatakse alljärgnevaid märksõnu:



OHT

OHT !

- ▶ Võimalikud ohtlikud olukorrad, mis võivad põhjustada kasutaja raskeid kehavigastusi või hukkamist.



HOIATUS

HOIATUS !

- ▶ Võimalik ohtlik olukord, mis võib põhjustada kasutaja raskeid kehavigastusi või hukkamist.



ETTEVAATUST

ETTEVAATUST !

- ▶ Võimalikud ohtlikud olukorrad, millega võivad kaasnedna kergemad kehavigastused või varaline kahju.

1.2.2 Kasutusjuhendis kasutatud sümbolid

Selles dokumendis kasutatakse järgmisi sümboleid.

	Lugege enne kasutamist läbi kasutusjuhend!
	Soovitused seadme kasutamiseks ja muu kasulik teave
	Taaskasutatavate materjalide käsitsemise
	Elektriseadmeid ja akusid ei tohi visata olmejäätmete hulka.

1.2.3 Joonistel kasutatud sümbolid

Joonistel kasutatakse järgmisi sümboleid.

	Numbrid viitavad vastavatele joonistele kasutusjuhendi alguses
3	Numeratsioon kajastab tööetappide järjekorda pildi kujul ja võib tekstis kirjeldatud tööetappidest erineda
	Positsiooninumbreid kasutatakse ülevaatejoonisel ja need viitavad selgituste numbritele toote ülevaates
	See märk näitab, et toote käsitsemisel tuleb olla eriti tähelepanelik.

1.3 Tootepõhised sümbolid

1.3.1 Sümbolid tootel

Tootel võib kasutada alljärgnevaid sümboleid:

	Andmete traadita ülekandmine
--	------------------------------



	Kasutatud HilTI Li-Ion-aku seeria. Pidage kinni peatükis Nõuetekohane kasutamine esitatud juhistest.
	Kaitseklass II (topeltisolatsioon)
n_0	Nimipöörete arv tühikäigul
/min	Pööret minutis

1.4 Tooteinfo

HILTI tooted on ette nähtud professionaalsele kasutajale ja neid tohivad käsitseda, hooldada ja korras hoida ainult volitatud ja asjaomase väljaõppega isikud. Nimetatud personal peab olema teadlik kõikidest kaasnevatest ohtudest. Seade ja sellega ühendatavad abivahendid võivad osutada ohtlikuks, kui neid ei kasutata nõuetekohaselt või kui nendega töötab vastava väljaõppeta isik.

Tüübitähis ja seerianumber on tüübisildil.

- ▶ Kandke seerianumber järgmises tabelisse. Andmeid toote kohta vajate meie esindusele või hooldekeskusele päringute esitamisel.

Toote andmed

Akulöökkruvikeeraja	SIW 9-A22
Generatsioon:	01
Seerianumber:	

1.5 Vastavusdeklaratsioon

Kinnitame ainuvastutajana, et käesolevas kasutusjuhendis kirjeldatud seade vastab kehtivate direktiivide ja standardite nõuetele: Vastavusdeklaratsiooni ärakirja leiata käesoleva kasutusjuhendi lõpust.

Tehnilised dokumendid on saadaval:

HilTI Entwicklungsgesellschaft mbH | Zulassung Geräte | Hiltistraße 6 | 86916 Kaufering, DE

2 Ohutus

2.1 Üldised ohutusnõuded elektriliste tööriistade kasutamisel

⚠ HOIATUS! Lugege kõiki selle elektrilise tööriista juurde kuuluvaid ohutusjuhiseid, nõuandeid, jooniseid ja tehnilisi andmeid! Järgmiste juhiste eiramise tagajärg võib olla elektrilöökk, tulekahju ja/või rasked vigastused.

Hoidke kõik ohutusnõuded ja juhised edaspidiseks kasutamiseks alles.

Ohutusjuhistes kasutatud mõiste "elektriline tööriist" käib võrgutoiteta (toitejuhtmega) elektriliste tööriistade või akutoiteta (toitejuhtmeta) elektriliste tööriistade kohta.

Ohutus töökohal

- ▶ **Hoidke oma töökoht puhas ja valgustage seda korralikult.** Korrastamata ja valgustamata töökoht võib põhjustada õnnetusi.
- ▶ **Ärge kasutage elektrilist tööriista plahvatusohtlikus keskkonnas, kus leidub tuleohtlikke vedelikke, gaase või tolmu.** Elektrilistest tööriistadest lööb sademeid, mis võivad tolmu või auru süüdata.
- ▶ **Hoidke lapsed ja kõik teised töökohast eemal, kui kasutate elektrilist tööriista!** Kui teie tähelepanu juhitakse kõrvale, võib seade teie kontrolli alt väljuda.

Elektriohutus

- ▶ **Elektrilise tööriista pistik peab sobima pistikupessa. Pistiku juures ei tohi teha mingeid muudatusi. Kaitsemaandusega seadmete puhul ei tohi kasutada adapterpistikuid.** Muutmata pistikud ja sobivad pistikupesad vähendavad elektrilöögiohtu.
- ▶ **Vältige keha kontakti maandatud pindadega (nt toru, radiaator, pliit, külmik).** Kui teie keha on maandatud, on elektrilöögi oht suurem.
- ▶ **Kaitske elektrilist tööriista vihma ja niiskuse eest.** Kui elektrilise tööriista sisemusse satub vett, suurendab see elektrilöögiohtu.
- ▶ **Ärge kasutage ühenduskaablit elektrilise tööriista kandmiseks, riputamiseks ega pistiku stepslist väljatõmbamiseks!** Hoidke ühenduskaablit eemal kuumusest, õlidest, teravatest servadest ja liikuvatest osadest. Kahjustatud või keerdus ühenduskaablid suurendavad elektrilöögiohtu.



2113750

Eesti

63

- ▶ **Kui töotate elektrilise tööriistaga vabas õhus, kasutage ainult selliseid pikendusjuhtmeid, mida tohib kasutada ka välitingimustes.** Välitingimustes sobiva pikendusjuhtme kasutamine vähendab elektrilöögiohtu.
- ▶ **Kui seadmega töötamine niiskes keskkonnas on vältimatu, kasutage rikkevoolu kaitselülilit.** Rikkevoolu kaitselüliti kasutamine vähendab elektrilöögiohtu.

Inimeste ohutus

- ▶ **Olge tähelepanelik, jälgige, mida teete, ja toimige elektrilise tööriistaga töötades kaalutletult. Ärge töötag elektrilise tööriistaga, kui olete väsinud või alkoholi, narkootikumide või ravimite mõju all! Hetkeline tähelepanematus elektrilise tööriista kasutamisel võib põhjustada raskeid kehavigastusi ja varalist kahju.**
- ▶ **Kandke isiklikke kaitsevahendeid ja alati kaitseprille.** Isiklike kaitsevahendite, nt tolmu maski, libisemiskindlate turvajalatsite, kaitsekiivri või kuulmiskaitsevahendite kandmine (sõltuvalt elektrilise tööriista tüübist ja kasutusala) vähendab vigastusohtu.
- ▶ **Vältige elektrilise tööriista soovimatut käivitamist! Enne elektrilise tööriista ühendamist vooluvõrku ja/või elektrilise tööriista aku paigaldamist, tööriista ülestõstmist ja kandmist veenduge, et elektriline tööriist on välja lülitatud!** Kui hoiate elektrilise tööriista kandmisel sõrme lülilil või ühendate vooluvõrku sisselülitatud tööriista, võib juhtuda õnnetus.
- ▶ **Enne elektrilise tööriista sisselülitamist eemaldage selle küljest seade- ja mutrivõtmed.** Elektrilise tööriista pöörleva osa küljes olev seade- või mutrivõti võib põhjustada vigastusi.
- ▶ **Vältige ebatavalist tööasendit! Võtke stabiilne tööasend ja säilitage alati tasakaal.** Nii saate elektrilist tööriista ootamatutes olukordades paremini kontrollida.
- ▶ **Kandke sobivat rõivastust. Ärge kandke laiu riideid ega ehteid! Hoidke juuksed, rõivad ja kindad seadme liikuvatest osadest eemal.** Lotendavad riided, ehted ja pikad juuksed võivad sattuda seadme liikuvate osade vahele.
- ▶ **Kui elektrilise tööriista külge on võimalik paigaldada tolmuemaldus- ja kogumisseediseid, veenduge, et need on tööriistaga ühendatud ja et neid kasutatakse nõuetekohaselt.** Tolmuemaldusseedise kasutamine võib vähendada tolmu taset.
- ▶ **Ärge laske tekkida petlikul turvatundel ega eirake elektrilise tööriista ohutusreegleid isegi siis, kui olete pärast paljukordset kasutamist elektrilise tööriistaga harjunud.** Tähelepanematu käsitsemine võib sekundi murdosa jooksul kaasa tuua raskeid vigastusi.

Elektrilise tööriista kasutamine ja käsitsemine

- ▶ **Ärge koormake seadet üle! Kasutage konkreetseks tööks sobivat elektrilist tööriista.** See töötab ettenähtud jõudluspiirides tõhusamalt ja ohutumalt.
- ▶ **Ärge kasutage elektrilist tööriista, mille lüliti on rikkis!** Elektriline tööriist, mida ei saa enam lülitist korralikult sisse ja välja lülitada, on ohtlik ning tuleb viia parandusse.
- ▶ **Tõmmake enne seadme tahes seadetõid, tarvikute vahetamist ja seadme hoiulepanekut pistik pistikupesast välja ja/või eemaldage äravõetav aku.** See ettevaatusabinõu hoiab ära seadme soovimatu käivitumise.
- ▶ **Kasutusvälisel ajal hoidke elektrilist tööriista lastele kättesaamatus kohas. Ärge laske seadet kasutada isikutel, kes seadme tööpõhimõtet ei tunne või ei ole lugenud käesolevaid kasutusjuhendeid.** Asjatundmatute isikute käes on elektrilised tööriistad ohtlikud.
- ▶ **Hooldage elektrilisi tööriistu ja tarvikuid korralikult. Kontrollige, kas liikuvad osad töötavad vaeult ega kiilu kiini.** Veenduge, et seadme osad ei ole murdunud või kahjustatud määral, mis mõjutab seadme töökindlust. Laske kahjustatud osad enne seadme kasutamist parandada. Ebapiisavalt hooldatud elektrilised tööriistad põhjustavad õnnetusi.
- ▶ **Hoidke lõiketarvikud teravad ja puhtad.** Hästi hooldatud, teravate lõikeservadega lõiketarvikud kiiluvad harvemini kinni ja neid on lihtsam juhtida.
- ▶ **Kasutage elektrilist tööriista, tarvikuid ja lisatarvikuid vastavalt nende juhiste.** Arvestage seejuures töötingimuste ja tehtava töö iseloomuga. Elektrilise tööriista kasutamine otstarbel, milleks see ei ole ette nähtud, võib põhjustada ohtlikke olukordi.
- ▶ **Käepidemed ja haardepinnad peavad olema kuivad, puhtad ning vabad õlist ja rasvast.** Libedad käepidemed ja haardepinnad ei võimalda elektrilist tööriista ootamatutes olukordades kindlalt käsitseada ega kontrollida.

Aku tööriista kasutamine ja käsitsemine

- ▶ **Laadige akusid ainult tootja soovitatud laadimiseseadmega.** Kui teatud tüüpi aku laadimiseks ettenähtud laadimiseseadet kasutatakse teist tüüpi akude laadimiseks, tekib tulekahjuoht.
- ▶ **Kasutage elektrilistes tööriistades ainult ettenähtud akusid.** Teist tüüpi akude kasutamine võib põhjustada vigastus- ja põlenguhtu.



- ▶ **Hoidke akud kasutusvälisel ajal eemal kirjaklambritest, müntidest, võtmetest, naeltest, kruvidest ja teistest väikestest metallasemetest, mis võivad aku kontaktid omavahel ühendada.** Aku kontaktide vahel tekkinud lühis võib põhjustada põletuse või tulekahju.
- ▶ **Väärkasutuse korral võib akuvedelik akust välja voolata. Vältige sellega kokkupuudet. Juhusliku kokkupuute korral loputage kahjustatud kohta veega. Kui vedelik satub silma, otsige ka arstiabi.** Väljavoolav akuvedelik võib põhjustada nahaärritust või põletust.
- ▶ **Ärge kasutage kahjustatud ega modifitseeritud akut!** Kahjustatud või modifitseeritud akud võivad käituda ettenägematult ja põhjustada tulekahju, plahvatusi või vigastusohu.
- ▶ **Ärge laske akul kokku puutuda tule ega liiga kõrge temperatuuriga!** Tuli või temperatuur üle 130 °C (265 °F) võivad tekitada plahvatusi.
- ▶ **Järgige kõiki laadimisjuhiseid ja ärge kunagi laadige akut ega akutööriista väljaspool kasutusjuhendis näidatud temperatuurivahemikku.** Väär laadimine või laadimine väljaspool lubatud temperatuurivahemikku võib kahjustada akut ja suurendada tuleohtu.

Hooldus

- ▶ **Laske elektrilist tööriista parandada ainult kvalifitseeritud spetsialistidel, kes kasutavad originaalvaruosi.** Nii on tagatud elektrilise tööriista ohutu töö.
- ▶ **Ärge hooldage kahjustatud akut!** Akut võib hooldada ainult tootja või volitatud klienditeenindus.

2.2 Täiendavad ohutusnõuded kruvikeerajate kasutamisel

Inimeste turvalisus

- ▶ Kasutage toodet ainult siis, kui selle tehniline seisukord on veatu.
- ▶ Ärge kunagi muutke ega modifitseerige seadet.
- ▶ Kasutage tarnekomplekti kuuluvaid lisakäepidemeid. Kontrolli kaotus seadme üle võib põhjustada vigastusi.
- ▶ Hoidke seadet ettenähtud käepidemetest mõlema käega. Hoidke käepidemed kuivad ja puhtad.
- ▶ Kui teete töid, mille puhul võib tarvik tabada varjatud elektrijuhtmeid, hoidke seadet isoleeritud haardepinnast. Kokkupuude pingestatud elektrijuhtmega võib seada pinge alla ka seadme metalldetailid ja põhjustada elektrilöögi.
- ▶ Vältige kokkupuudet seadme pöörlevate osadega - vigastuste oht!
- ▶ Seadme kasutamise ajal kandke sobivaid kaitseprille, kaitsekiivrit, kuulmiskaitsevahendeid, kaitsekindaid ja kergest hingamisteede kaitsemaski.
- ▶ Kandke ka tarvikut vahetades kaitsekindaid! Tarviku puudutamine võib tekitada löikehaavu ja põletusi.
- ▶ Kasutage kaitseprille. Materjalist väljalendavad killud võivad tekitada keha- ja silmavigastusi.
- ▶ Enne töö algust tehke kindlaks töötamisel tekkiva tolmu ohuklass. Kasutage ettenähtud kaitseklassi kuuluvat ehitustolmuimeajat, mis vastab kehtivatele tolmukaitseohuetele. Pliisisaldusega värvide, teatavat liiki puidu, betooni/müüritise/kvartsisisaldusega kivi, mineraalide ja metalli tolm võib kahjustada tervist.
- ▶ Tagage töökohal hea ventilatsioon ja vajaduse korral kandke tekkiva tolmu filtreerimiseks sobivat hingamisteede kaitsemaski. Kokkupuude tolmuga või tolmu sissehingamine võib põhjustada kasutajal või läheduses viibivatel isikutel allergilist reaktsiooni ja/või hingamisteede haigusi. Teatav tolm, nt tamme- või pöögitolm on kantserogeenne, seda eeskätt koosmõjus puidu töötlemise lisainetega (kromaat, puidukaitsevahendid). Asbesti sisaldavate materjalide töötlemine on lubatud vaid asjaomase kvalifikatsiooniga isikutel.
- ▶ Tehke töopause ja liigutage sõrmi, et parandada nende verevarustust. Pikemaajaliste tööde korral võib vibratsioon tekitada probleeme sõrmede, käte ja randmeliigeste veresoontes ja närvisüsteemis.

Elekriohtus

- ▶ Enne töö algust kontrollige tööpiirkond üle ja veenduge, et seal ei ole varjatud elektrijuhtmeid, gaasi- ega veetorusid. Seadme välised metallosad võivad elektrijuhtme vigastamise korral tekitada elektrilöögi.

Elektriliste tööriistade hoolikas käsitsemine ja kasutamine

- ▶ Tarviku blokeerumise korral lülitage tööriist kohe välja. Seade võib külgsuunas liikuda.
- ▶ Enne käestpanekut oodake, kuni tööriist on seiskunud.

2.3 Akude hoolikas käsitsemine ja kasutamine

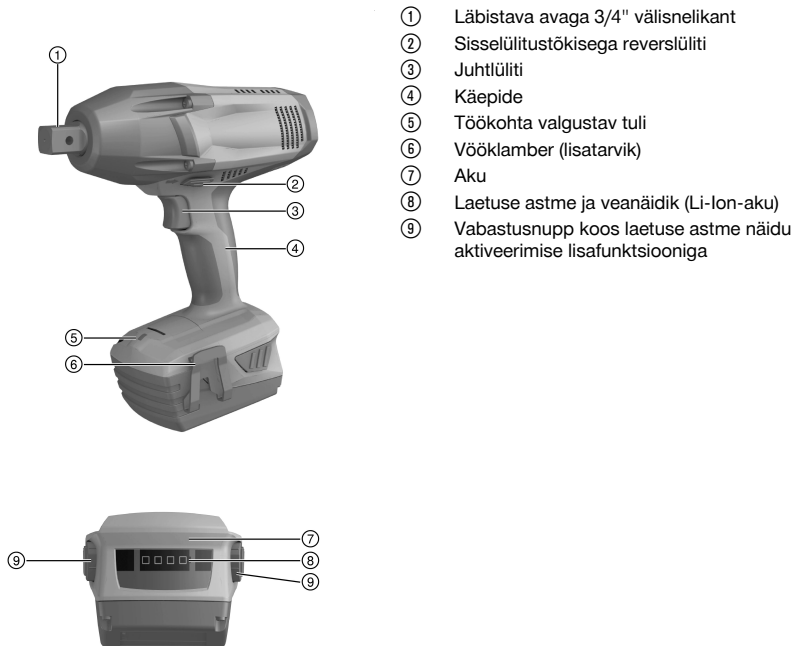
- ▶ Järgige liitiumioonakude veo, ladustamise ja käsitemise suhtes kehtivaid erinõudeid.
- ▶ Kaitske akusid kõrgete temperatuuride, otsese päikese kiirguse ja tule eest.
- ▶ Akusid ei tohi lahti võtta, muljuda, kuumutada üle 80 °C ega põletada.
- ▶ Ärge kasutage ega laadige akusid, mis on saanud löögi, kukkunud kõrgemalt kui üks meeter või muul viisil vigastada saanud. Võtke sellisel juhul alati ühendust **Hilti hooldekeskusega**.



- ▶ Kui aku on nii kuum, et seda ei saa puudutada, võib aku olla defektnne. Asetage aku tulekindlasse kohta nii, et see jääb süttivatest materjalidest piisavalt kaugemale ja et seda saaks jälgida, ning laske akul jahtuda. Võtke sellisel juhul alati ühendust **Hilti hooldekeskusega**.

3 Kirjeldus

3.1 Toote ülevaade



3.2 Kasutusotstarve

Kirjeldatud toode on käsitsi juhitud akutoitega löökkruvikeeraja. Seade on ette nähtud mutrite ja poltide, tüüblite ja puidukruvide kinni- ja lahtikeeramiseks. Tarvikul on läbistava avaga nelikantkinnitus. Löökkruvikeerajat tohib kasutada üksnes töödeks, mis ei nõua täpset/spetsifitseeritud pöördemomenti. Vastasel korral esineb ülekeeramise, kruvi või toriku kahjustamise oht.

- ▶ Kasutage selle toote jaoks ainult **Hilti B 22** tüüpi liitiumioonakusid.
- ▶ Nende akude laadimiseks kasutage ainult **Hilti C4/36**-seeria laadimisseadmeid.

3.3 Tarnekomplekt

Löökkruvikeeraja, kasutusjuhend.

Ohutu töö tagamiseks kasutage ainult originaalvaruosi ja -materjale. Teie tootega sobivaid ja meie poolt heakskiidetud varuosad, materjalid ja tarvikud leiате kauplusest **Hilti Store** või veebilehelt: www.hilti.group | USA: www.hilti.com

3.4 LI-Ion-aku näit

Liitiumioonaku laetuse astet ja seadme häireid signaliseeritakse liitiumioonaku näidiku abil. Liitiumioonaku laetuse astet näete, kui vajutate ühele kahest aku vabastusnupust.



Seisund	Tähendus
4 LED-tuld põlevad.	Laetuse aste: 75 % kuni 100 %
3 LED-tuld põlevad.	Laetuse aste: 50 % kuni 75 %
2 LED-tuld põlevad.	Laetuse aste: 25 % kuni 50 %
1 LED-tuli põleb.	Laetuse aste: 10 % kuni 25 %
1 LED-tuli vilgub, seade on töövalmis.	Laetuse aste: < 10 %
1 LED-tuli vilgub, seade ei ole töövalmis.	Aku on üle kuumenenud.
4 LED-tuld vilguvad, seade ei ole töövalmis.	Seade on üle koormatud või üle kuumenenud.

i Aku laetuse astet saa näha ajal, mil juhtlüliti on alla vajutatud, samuti kuni 5 sekundi vältel pärast juhtlüliti vabastamist. Kui aku näidiku LED-tuled vilguvad, järgige punktis „Abi tõrgete puhul” toodud juhiseid.

4 Tehnilised andmed

4.1 Löökkruvikeeraja

Nimipinge	21,6 V _{DC}
Kaal EPTA-Procedure 01 kohaselt	3,6 kg
Nimipöörded tühikäigul	1 400 p/min
Löögisagedus	2 200 bpm
Ümbritseva keskkonna temperatuur töötamise ajal	-17 °C ... 60 °C
Hoiutemperatuur	-20 °C ... 70 °C

4.2 Aku

Aku tööpinge	21,6 V
Ümbritseva keskkonna temperatuur töötamise ajal	-17 °C ... 60 °C
Hoiutemperatuur	-20 °C ... 40 °C
Aku temperatuur laadimise alguses	-10 °C ... 45 °C

4.3 Andmed müra ja vibratsiooni kohta vastavalt standardile EN 60745

Käesolevas kasutusjuhendis toodud helirõhu- ja vibratsioonitase on mõõdetud standarditult mõõtemeetodil ning asjaomaseid näitajaid saab kasutada elektriliste tööriistade võrdlemiseks. Need sobivad ka müra- ja vibratsioonitaseme esialgseks hindamiseks. Toodud näitajad iseloomustavad elektrilise tööriista põhilisi ettenähtud töid. Kui aga elektrilist tööriista kasutatakse muul otstarbel, teiste tarvikutega või kui tööriista on ebapiisavalt hooldatud, võivad näitajad käesolevas juhendis toodud näitajatest kõrvale kalduda. See võib vibratsiooni- ja mürataset töötamise koguperioodil tunduvalt suurendada. Müra- ja vibratsioonitaseme täpseks hindamiseks tuleb arvesse võtta ka aega, mil tööriist oli välja lülitatud või küll sisse lülitatud, kuid tegelekult tööle rakendamata. See võib vibratsiooni- ja mürataset töötamise koguperioodil tunduvalt vähendada. Seadme kasutaja kaitsmiseks müra ja/või vibratsiooni eest rakendage täiendavaid kaitseabinõusid, näiteks: hooldage seadet ja tarvikuid korralikult, hoidke käed soojad, tagage sujuv töökorraldus.

Müratasete

Helirõhutase (L_{pA})	98,5 dB(A)
Helirõhutase mõõtemääramatus (K_{pA})	3 dB(A)
Helivõimsustase (L_{WA})	109,5 dB(A)
Helivõimsustase mõõtemääramatus (K_{WA})	3 dB(A)

Vibratsioonitase

Vibratsioonitase maksimaalselt lubatud suurusega kruvide ja mutrite pingutamisel (a_h)	7 m/s ²
Mõõtemääramatus (K)	1,5 m/s ²



5 Töö ettevalmistamine

5.1 Aku laadimine

1. Enne laadimist lugege laadimisseadme kasutusjuhendit.
2. Veenduge, et aku ja laadimisseadme kontaktid on puhtad ja kuivad.
3. Laadige akut selleks ettenähtud laadimisseadmega.

5.2 Aku paigaldamine

ETTEVAATUST

Vigastuste oht lühise või allakukkunud aku tõttu!

- ▶ Enne aku paigaldamist veenduge, et aku ja seadme kontaktidel ei ole võõrkehaseid.
 - ▶ Veenduge, et aku fikseerub alati korrektselt kohale.
1. Enne esmakordset kasutamist laadige aku täiesti täis.
 2. Asetage aku seadme hoidikusse, nii et fikseerub kuuldavalt kohale.
 3. Kontrollige aku kindlat kinnitumist.

5.3 Aku eemaldamine

1. Vajutage aku vabastusnuppudele.
2. Tõmmake aku seadmehoidikust välja.

5.4 Hülsi (tarviku) paigaldamine

ETTEVAATUST

Vigastuste oht tingitud valesst tarvikust!

- ▶ Kasutage üksnes tarvikuid, mida saab lukustada.
- ▶ Ärge kasutage kulunud ega kahjustada saanud tarvikuid.

ETTEVAATUST

Vigastuste oht kulunud või kahjustada saanud kaitsme tõttu

- ▶ Ärge kasutage kulunud või kahjustada saanud kaitserõngast.

1. Viige reverslülitit keskasendisse või eemaldage seadmest aku.
2. Asetage hüls seadme nelikandile.



Seadke hüls selliselt, et hülsi siseava kattub ajami nelikandi avaga.

3. Kui järgmine tingimus on täidetud, tehke lisaks see toiming:

Tingimused: O-rõnga ja kinnitustihvti kasutamisel.

- ▶ Eemaldage O-rõngas hülsis olevast soonest. Torgake kinnitustihvt hülsi ja ajami nelikandi siseavasse. Seejärel pange O-rõngas hülsis olevasse soonde tagasi.

4. Kui järgmine tingimus on täidetud, tehke lisaks see toiming:

Tingimused: Kaitserõnga kasutamisel.

- ▶ Asetage kaitserõngas hülsile.

5.5 Hülsi (tarviku) eemaldamine

1. Viige reverslülitit keskasendisse või eemaldage seadmest aku.
2. Võtke kaitserõngas või O-rõngas koos kinnitustihvtiga hülsist välja.
3. Eemaldage hüls seadme nelikandilt.



5.6 Vööklambri paigaldamine (lisavarustus) 4

HOIATUS

Vigastuste oht Allakukkuvast tööriistast põhjustatud oht.

- ▶ Allakukkuv tööriist võib Teid ja teisi inimesi vigastada. Enne töö alustamist veenduge, et vööklamber on kindlalt kinnitatud.

Vööklambri abil saate seadme kinnitada vöö külge, nii et see on kogu aeg käeulatuses. Vööklambrit saab paigaldada nii vasakule kui ka paremale küljele.

1. Eemaldage aku. → Lehekülj 68
2. Kinnitage vööklamber seadme jala küljes olevasse avasse.
3. Kinnitage vööklamber kahe kruviga.

5.7 Hilti Kukkumiskaitse paigaldamine (lisavarustus) 5

TÄHELEPANU

Toode ja/või laskumiskõied võivad kahjustada saada. Asjatundmatu käsitlemine võib toodet ja/või laskumiskõisi kahjustada.

- ▶ Ärge kasutage laskumiskõite asemel metallkette. Ärge kasutage laskumiskõisi, mis on pikemad kui 2,0 m (6 ft).

Vigastuste vältimiseks on kõrgetel töökohtadel töötamise ajal soovitatav kasutada **Hilti** kukkumiskaitset.

Kukkumiskaitse võimaldab hoidekõite/hoiderihmade kinnitamist.

Tootega töötamise ajal tuleb tingimata järgida riigis kehtivaid eeskirju kõrgetel töökohtadel töötamise kohta.

1. Eemaldage aku. → Lehekülj 68
2. Sisestage kukkumiskaitse mõlemad lapatsid seadmejala mõlemal küljel asuvatesse piludesse.
3. Kinnitage kukkumiskaitse komplekti kuuluvate kruvidega.
4. Paigaldage aku. → Lehekülj 68

6 Töötamine

6.1 Parema/vasaku käigu seadistamine 3

Keskasendis on reverslülitit sisselülitustõkiseks.

- ▶ Seadke reverslülitit paremale või vasakule käigule.

6.2 Sisselülitamine

- ▶ Vajutage juhtlülitile.
 - ↳ Pöörete arvu saab reguleerida sissesurumise sügavuse kaudu.

Ärge rakendage tootele ülekoormust. Suure kuumuse tekke korral laske tootel mõni minut jahtuda.

6.3 Väljalülitamine

- ▶ Vabastage juhtlülitit.



7 Hooldus ja korrashoid



HOIATUS

Vigastuste oht paigaldatud aku korral !

- ▶ Enne mis tahes hooldus- ja korrashoiutöid eemaldage seadmest aku!

Seadme hooldamine

- Eemaldage kõvasti kinni olev mustus ettevaatlikult.
- Puhastage ventilatsiooniavasid ettevaatlikult kuiva harjaga.
- Puhastage korpust kergelt niiske lapiga. Ärge kasutage silikooni sisaldavaid hooldusvahendeid, sest need võivad kahjustada seadme plastdetaile.

Liitiumioonakude hooldus

- Hoidke aku puhas ja vaba õlist ja rasvast.
- Puhastage korpust kergelt niiske lapiga. Ärge kasutage silikooni sisaldavaid hooldusvahendeid, sest need võivad kahjustada seadme plastdetaile.
- Vältige vedeliku sissetungimist.

Korrashoid

- Kontrollige regulaarselt, kas kõik nähtavad osad on terved ja kas juhtelemendid toimivad veatult.
- Kahjustuste ja/või tõrgete korral ei tohi seadet kasutada. Laske tööriist kohe **Hilti** hooldekeskuses parandada.
- Pärast hooldus- ja korrashoiutöid paigaldage kõik kaitseseadised ja kontrollige nende toimivust.



Tööohutuse tagamiseks kasutage ainult originaalvaruosi ja -materjale. Teie tootega sobivaid ja meie poolt heakskiidetud varuosad, materjalid ja tarvikud leiate kauplusest **Hilti Store** või veebilehelt: www.hilti.group.

8 Akutööriistade transport ja ladustamine

Transport



ETTEVAATUST

Soovimatu käivitumine transportimisel !

- ▶ Transportige tooteid ilma akudeta!
- ▶ Eemaldage akud.
- ▶ Ärge kunagi transportige akusid lahtiselt.
- ▶ Pärast pikemat transporti kontrollige, kas tööriist või akud on saanud vigastusi.

Ladustamine



ETTEVAATUST

Defektsed akud või lekkivad akud võivad tekitada vigastusi !

- ▶ Kasutusvälisel ajal eemaldage seadmest aku!
- ▶ Hoidke seadet ja akusid võimalikult jahedas ja kuivas kohas.
- ▶ Ärge hoidke akusid kunagi päikese käes, küttekeha peal ega aknalualal.
- ▶ Hoidke seadet ja akusid lastele ja kõrvalistele isikutele ligipääsmatus kohas.
- ▶ Pärast pikemaajalist ladustamist kontrollige, kas tööriist või akud on saanud vigastusi.

9 Abi tõrgete puhul

Kui peaks esinema tõrge, mida ei ole järgmises tabelis nimetatud või mida Te ei suuda ise kõrvaldada, pöörduge **Hilti** hooldekeskusse.

9.1 Abi tõrgete puhul

Kui peaks esinema tõrge, mida ei ole järgmises tabelis nimetatud või mida Te ei suuda ise kõrvaldada, pöörduge **Hilti** hooldekeskusse.

Tõrge	Võimalik põhjus	Lahendus
Seade ei käivitu.	1 LED-tuli vilgub: Aku on tühi.	▶ Võtke aku välja ja laadige täis.



Tõrge	Võimalik põhjus	Lahendus
Seade ei käivitu.	Aku ei ole korrektselt sisse pandud.	▶ Aku peab kuuldavalt kohale fikseeruma. Eemaldage aku ja pange uuesti sisse.
	1 LED-tuli vilgub: Aku on liiga kuum või liiga külm.	▶ Laske akul töötemperatuurini jahtuda/soojeneda.
	4 LED-tuld vilguvad: Tööriistale on lühiajaliselt avaldunud ülekoormus	▶ Vabastage juhtlülitit ja vajutage sellele uuesti.
Juhtlülitit ei saa alla vajutada.	Reverslülitit on keskasendis.	▶ Viige reverslülitit vasakule või paremale.
Pöörete arv alaneb järsult.	Aku on tühi.	▶ Võtke aku välja ja laadige täis.
Aku ei fikseeru kuuldavalt kohale.	Aku lukustusmehhanism on määr-dunud.	▶ Puhastage fiksaatorinad.
Aku tühjeneb tavalisest kiiremini.	Ümbritseva keskkonna väga madal temperatuur.	▶ Laske akul aeglaselt ruumitemperatuurini soojeneda.

10 Utiliseerimine

Hilti seadmed on suures osas valmistatud taaskasutatavatest materjalidest. Taaskasutuse eelduseks on materjalide korralik sorteerimine. Paljudes riikides kogub **Hilti** kasutusressursi ammendanud seadmed kokku. Lisateavet saate **Hilti** müügiesindusest.

Akude utiliseerimine

Asjatundmatu käitlemise korral võib akudest eralduda terviseohtlikke gaase või vedelikke.

- ▶ Ärge saatke kahjustada saanud akusid posti teel!
- ▶ Lühise vältimiseks katke akukontaktid elektrit mittejuhtiva materjaliga.
- ▶ Käidelge akusid nii, et need ei satu laste kätte.
- ▶ Utiliseerige aku **Hilti Store** esinduses või pöörduge asjaomase jäätmekäitlusettevõtte poole.



- ▶ Ärge visake kasutusressursi ammendanud elektrilisi tööriistu, elektroonikaseadmeid ja akusid olmejäätmete hulka!

11 RoHS (direktiiv ohtlike ainete kasutamise piirangute kohta)

Järgmiselt lingilt leiate ohtlike ainete tabeli: qr.hilti.com/r4838535.

RoHS-tabeli juurde viiva lingi leiate käesoleva dokumendi lõpust QR-koodina.

12 Tootja garantii

- ▶ Kui Teil on küsimusi garantiitingimuste kohta, pöörduge **Hilti** müügiesindusse.



1 Informācija par dokumentāciju

1.1 Par šo dokumentāciju

- Pirms ekspluatācijas sākšanas obligāti izlasiet šo dokumentāciju. Tas ir priekšnoteikums darba drošībai un izstrādājuma lietošanai bez traucējumiem.
- Ievērojiet drošības norādījumus un brīdinājumus, kas atrodami šajā dokumentācijā un uz izstrādājuma.
- Vienmēr glabājiet lietošanas instrukciju izstrādājuma tuvumā un nododiet to kopā ar izstrādājumu, ja tas tiek nodots citām personām.

1.2 Apzīmējumu skaidrojums

1.2.1 Brīdinājumi

Brīdinājumi pievērš uzmanību bīstamībai, kas pastāv, strādājot ar izstrādājumu. Tiek lietoti šādi signālvārdi:



BĪSTAMI!

BĪSTAMI!

- ▶ Pievērš uzmanību draudošām briesmām, kas var izraisīt smagus miesas bojājumus vai nāvi.



BRĪDINĀJUMS!

BRĪDINĀJUMS!

- ▶ Pievērš uzmanību iespējamam apdraudējumam, kas var izraisīt smagas traumas vai pat nāvi.



IEVĒROT PIESARDZĪBU!

UZMANĪBU!

- ▶ Norāda uz iespējami bīstamām situācijām, kas var izraisīt vieglas traumas vai materiālos zaudējumus.

1.2.2 Dokumentācijā lietotie simboli

Šajā dokumentācijā tiek lietoti šādi simboli:



Pirms lietošanas izlasiet instrukciju



Norādījumi par lietošanu un cita noderīga informācija



Rīcība ar atreiz pārstrādājamiem materiāliem



Neizmetiet elektroiekārtas un akumulatorus sadzīves atkritumos.

1.2.3 Attēlos lietotie simboli

Attēlos tiek lietoti šādi simboli:

2

Šie skaitļi norāda uz attiecīgajiem attēliem, kas atrodami šīs instrukcijas sākumā.

3

Numerācija attēlos atbilst veicamo darbību secībai un var atšķirties no darbību apraksta tekstā.

11

Pozīciju numuri tiek lietoti attēlā **Pārskats** un norāda uz leģendas numuriem sadaļā **Izstrādājuma pārskats**.



Šī simbola uzdevums ir pievērst īpašu uzmanību izstrādājuma lietošanas laikā.

1.3 Simboli atkarībā no izstrādājuma

1.3.1 Simboli uz izstrādājuma

Uz izstrādājuma var tikt lietoti šādi simboli:



Bezvadu datu pārnese



	Lietojamā HilTI litija jonu akumulatoru sērija. Ņemiet vērā informāciju, kas iekļauta nodaļā Nosacījumiem atbilstīga lietošana .
	Aizsardzības klase II (divkārša izolācija)
n_0	Nominālais apgriezienu skaits tukšgaitā
/min	Apgriezienu skaits minūtē

1.4 Izstrādājuma informācija

HILTI izstrādājumi ir paredzēti profesionāliem lietotājiem, un to darbināšanu, apkopi un tehniskā stāvokļa uzturēšanu drīkst veikt tikai kvalificēts, atbilstīgi apmācīts personāls. Personālam ir jābūt labi informētam par iespējamajiem riskiem, kas var rasties darba laikā. Izstrādājums un tā papildaprīkojums var radīt bīstamas situācijas, ja to uztic neprofesionālam personālam vai nelieto atbilstīgi nosacījumiem.

Iekārtas tipa apzīmējums un sērijas numurs ir norādīti uz identifikācijas datu plāksnītes.

- ▶ Ierakstiet sērijas numuru zemāk redzamajā tabulā. Izstrādājuma dati jānorāda, vēršoties mūsu pārstāvnīcībā vai servisā.

Izstrādājuma dati

Ar akumulatoru darbināma skrūvēšanas iekārta ar triecienu funkciju	SIW 9-A22
Paaudze:	01
Sērijas Nr.:	

1.5 Atbilstības deklarācija

Uzņemoties pilnu atbildību, mēs apliecinām, ka šeit aprakstītais izstrādājums atbilst šādām direktīvām un standartiem: Atbilstības deklarācijas attēls ir atrodams šīs dokumentācijas beigās.

Tehniskā dokumentācija ir saglabāta šeit:

HilTI Entwicklungsgesellschaft mbH | Zulassung Geräte | Hiltistraße 6 | 86916 Kaufering, DE

2 Drošība

2.1 Vispārīgi drošības norādījumi par darbu ar elektroiekārtām

⚠ BRĪDINĀJUMS! Iepazīstieties ar visiem drošības norādījumiem, instrukcijām, attēliem un tehniskajiem parametriem, kas attiecas uz šo elektroiekārtu. Turpmāk izklāstīto instrukciju neievērošana var izraisīt elektrošoku, ugunsgrēku un/vai nopietnas traumas.

Saglabājiet visus drošības norādījumus un instrukcijas turpmākai lietošanai.

Drošības norādījumos lietotais apzīmējums "elektroiekārta" attiecas uz iekārtām ar tīkla barošanu (ar barošanas kabeli) vai iekārtām ar barošanu no akumulatora (bez kabeļa).

Drošība darba vietā

- ▶ **Uzturiet darba vietā tīrību un kārtību un nodrošiniet labu apgaismojumu.** Nekārtīgā darba vietā vai sliktā apgaismojumā var viegli notikt nelaimes gadījums.
- ▶ **Nestrādājiet ar elektroiekārtu sprādzienbīstamā vidē, kur atrodas uzliesmojoši šķidrumi, gāzes vai putekļi.** Darbības laikā elektroiekārtas mēdz dzirkstēlot, un tas var izraisīt viegli uzliesmojošu putekļu vai tvaiku aizdegšanos.
- ▶ **Lietojot elektroiekārtu, neļaujiet nepiederošām personām un jo īpaši bērniem tuvoties darba vietai.** Citu personu klātbūtne var novērst uzmanību, un tā rezultātā jūs varat zaudēt kontroli pār iekārtu.

Elektrodrošība

- ▶ **Elektroiekārtas kontaktdakšai jāatbilst elektrotīkla kontaktligzdai. Kontaktdakšas konstrukciju nedrīkst nekādā veidā mainīt. Kopā ar elektroiekārtām, kurām ir aizsargzemējums, nedrīkst lietot adapteru spraudņus.** Neizmaiņātas konstrukcijas kontaktdakša, kas atbilst kontaktligzdai, ļauj samazināt elektrošoka risku.
- ▶ **Darba laikā nepieskarieties sazemētiem priekšmetiem, piemēram, caurulēm, radiatoriem, plītnim vai ledusskapjiem.** Pieskaroties sazemētām virsmām, pieaug risks saņemt elektrisko triecienu.
- ▶ **Nelietojiet elektroiekārtu lietus laikā, neturiet to mitrumā.** Mitrumam iekļūstot elektroiekārtā, pieaug risks saņemt elektrisko triecienu.
- ▶ **Nenesiet un nepakariniet elektroiekārtu aiz barošanas kabeļa un neraujiet aiz kabeļa, ja vēlaties atvienot iekārtu no elektrotīkla kontaktligzdas. Sargājiet barošanas kabeli no karstuma, eļļas,**



asām šķautnēm vai kustīgām detaļām. Bojāts vai sapīņķerējis barošanas kabelis var kļūt par cēloni elektrošokam.

- ▶ **Darbinot elektroiekārtu ārpus telpām, izmantojiet tās pievienošanai vienīgi tādus pagarinātāja-kabeļus, kas ir paredzēti lietošanai brīvā dabā.** Lietojot elektrokabeļi, kas ir piemērots darbam ārpus telpām, samazinās elektrošoka risks.
- ▶ **Ja elektroiekārtas izmantošana slapjā vidē ir obligāti nepieciešama, lietojiet bojājumstrāvas aizsargslēdzi.** Bojājumstrāvas aizsargslēdža lietošana samazina elektrošoka risku.

Personiskā drošība

- ▶ **Strādājiet ar elektroiekārtu uzmanīgi, darba laikā saglabājiet paškontroli un rīkojieties saskaņā ar veselo saprātu. Ar elektroiekārtu nedrīkst strādāt personas, kas ir nogurušas vai atrodas narkotiku, alkohola vai medikamentu ietekmē.** Mirkļis neuzmanības, strādājot ar elektroiekārtu, var novest pie nopietnām traumām.
- ▶ **Izmantojiet individuālos aizsardzības līdzekļus un darba laikā vienmēr valkājiet aizsargbrilles.** Individuālo aizsardzības līdzekļu (putekļu aizsargmaskas, neslidošu apavu un aizsargķiveres vai ausu aizsargu) lietošana atbilstoši elektroiekārtas tipam un veicamā darba raksturam ļauj izvairīties no savainojumiem.
- ▶ **Nepieļaujiet iekārtas nekontrolētas ieslēgšanās iespēju. Pirms pievienošanas elektrotīklam, akumulatora ievietošanas, elektroiekārtas satveršanas vai pārvietošanas pārliecinieties, ka tā ir izslēgta.** Ja iekārtas pārvietošanas laikā pirksts atrodas uz slēdža vai ja ieslēgta iekārta tiek pievienota elektrotīklam, var notikt nelaimes gadījums.
- ▶ **Pirms elektroiekārtas ieslēgšanas jānoņem visi regulēšanas piederumi un uzgriežņu atslēgas.** Regulēšanas piederumi vai uzgriežņu atslēga, kas iekārtas ieslēgšanas brīdī atrodas iekārtā, var radīt traumas.
- ▶ **Izvairieties no nedabiskām pozām. Darba laikā vienmēr saglabājiet līdzsvaru un nodrošinieties pret paslīdēšanu.** Tas atvieglos elektroiekārtas vadību neparedzētās situācijās.
- ▶ **Izvēlieties darbam piemērotu apģērbu. Darba laikā nenēsājiet brīvi plandošas drēbes un rotaslietas. Netuviniet matus, apģērbu un aizsargcimdus iekārtas kustīgajām daļām.** Vaļīgas drēbes, rotaslietas un gari mati var iekerties iekārtas kustīgajās daļās.
- ▶ **Ja elektroiekārtas konstrukcija ļauj pievienot putekļu nosūcšanas vai savākšanas ierīci, sekojiet, lai tā būtu pievienota un tiktu darbināta pareizi.** Putekļu nosūcēja lietošana samazina putekļu kaitīgo ietekmi.
- ▶ **Nezaudējiet modrību un neatkāpieties no elektroiekārtu lietošanas drošības noteikumu ievērošanas arī tad, ja lietojat attiecīgo elektroiekārtu bieži un kārtīgi to pārzināt.** Neuzmanība vienā sekundes daļā var novest pie smagām traumām.

Elektroiekārtas lietošana un apkope

- ▶ **Nepārslogojiet elektroiekārtu. Katram darbam izvēlieties piemērotu iekārtu.** Elektroiekārta darbosies labāk un drošāk pie nominālās slodzes.
- ▶ **Nelietojiet elektroiekārtu, ja ir bojāts tās slēdzis.** Elektroiekārta, ko nevar ieslēgt un izslēgt, ir bīstama un nekavējoties jānodod remontā.
- ▶ **Pirms iestatījumu veikšanas, aprīkojuma daļu nomaiņas vai iekārtas novietošanas uzglabāšanā atvienojiet kontaktdakšu no elektrotīkla un/vai noņemiet noņemamo akumulatoru.** Šādi jūs novērsīsiet elektroiekārtas nejaušas ieslēgšanās risku.
- ▶ **Elektroiekārtu, kas netiek darbināta, uzglabājiet piemērotā vietā. Neļaujiet lietot iekārtu personām, kas nav iepazīnušas ar tās funkcijām un izlasījušas šo lietošanas instrukciju.** Ja elektroiekārtu lieto nekompetentas personas, tas var apdraudēt cilvēku veselību.
- ▶ **Rūpīgi veiciet elektroiekārtu un to piederumu apkopi. Pārbaudiet, vai kustīgās daļas darbojas bez traucējumiem un neķeras un vai kāda no daļām nav salauzta vai bojāta un tādējādi netraucē elektroiekārtas nevainojamu darbību. Raugieties, lai pirms iekārtas lietošanas tiktu nomainītas vai saremontētas bojātās daļas.** Daudzi nelaimes gadījumi notiek tāpēc, ka elektroiekārtām nav nodrošināta pareiza apkope.
- ▶ **Griezējinstrumentiem vienmēr jābūt uzasinātiem un tīriem.** Rūpīgi kopti griezējinstrumenti ar asām šķautnēm retāk iestrēgst un ir vieglāk vadāmi.
- ▶ **Lietojiet elektroiekārtu, piederumus, maināmos instrumentus utt. saskaņā ar šiem norādījumiem. Jāņem vērā arī konkrētie darba apstākļi un veicamās operācijas īpatnības.** Elektroiekārtu lietošana citiem mērķiem, nekā to ir paredzējusi ražotājfirma, ir bīstama un var izraisīt neparedzamas sekas.
- ▶ **Raugieties, lai rokturu un satveršanas virsmas būtu sausas, tīras, nenotraipītas ar eļļu un smērvielām.** Ja rokturu vai satveršanas virsmas ir slidenas, nav iespējama droša elektroiekārtas vadība un kontrole neparedzamās situācijās.



Ar akumulatoru darbināmas iekārtas lietošana un apkope

- ▶ **Akumulatora uzlādei jālieto tikai ražotāja ieteiktie lādētāji.** Noteikta veida akumulatoriem paredzēts lādētājs kļūst ugunsbīstams, ja to izmanto ar cita veida akumulatoriem.
- ▶ **Izmantojiet elektroiekārtas barošanai tikai tai paredzētos akumulatorus.** Cita tipa akumulatoru lietošana var izraisīt iekārtas un/vai akumulatora aizdegšanos.
- ▶ **Laikā, kad akumulators ir atvienots no iekārtas, nepieļaujiet tā kontaktu saskaršanos ar saspriedēm, monētām, atslēgām, naglām, skrūvēm vai citiem nelieliem metāla priekšmetiem, kas varētu izraisīt īssavienojumu.** Ja starp akumulatora kontaktiem rodas īssavienojums, tas var sadegt vai kļūt par ugunsgrēka cēloni.
- ▶ **Nepareizi lietojot akumulatoru, no tā var izplūst šķidrums. Nepieļaujiet tā nokļūšanu uz ādas. Ja tas tomēr nejausi ir noticis, noskalojiet ar ūdeni. Ja šķidrums iekļūst acīs, izskalojiet acis un nekavējoties vērsieties pie ārsta.** No akumulatora izplūdušais šķidrums var izraisīt ādas kairinājumu vai apdegumus.
- ▶ **Nelietojiet bojātus vai modificētus akumulatorus.** Bojāti vai modificēti akumulatori var radīt neparedzamas situācijas un izraisīt ugunsgrēku, eksploziju vai traumas.
- ▶ **Nepakļaujiet akumulatoru uguns vai augstas temperatūras iedarbībai.** Uguns vai temperatūra virs 130 °C (265 °F) var izraisīt eksploziju.
- ▶ **Ievērojiet norādījumus par akumulatora lādēšanu un nekad nelādējiet akumulatoru vai ar akumulatoru darbināmo iekārtu ārpus lietošanas instrukcijā norādītā temperatūras diapazona.** Nepareiza lādēšana vai pieļaujamā temperatūras diapazona pārsniegšana var sabojāt akumulatoru un palielināt aizdegšanās risku.

Serviss

- ▶ **Uzdodiet elektroiekārtas remontu veikt tikai kvalificētam personālam, kas izmanto vienīgi oriģinālās rezerves daļas.** Tikai tā ir iespējams saglabāt iekārtas funkcionālo drošību.
- ▶ **Nekādā gadījumā neveiciet bojātu akumulatoru apkopi.** Jebkādus akumulatoru apkopes darbus drīkst veikt tikai ražotājs vai atbilstīgi pilnvarots klientu apkalpošanas dienests.

2.2 Papildu drošības norādījumi par skrūvēšanas iekārtu

Personiskā drošība

- ▶ Lietojiet izstrādājumu tikai tad, ja tas ir tehniski nevainojamā stāvoklī.
- ▶ Nekādā gadījumā nemēģiniet ietekmēt iekārtas funkcijas vai to pārveidot.
- ▶ Lietojiet kopā ar iekārtu piegādātos papildu rokturus. Kontroles zudums var kļūt par cēloni traumām.
- ▶ Vienmēr turiet iekārtu ar abām rokām aiz tam paredzētajiem rokturiem. Raugieties, lai rokturi vienmēr būtu sausi un tīri.
- ▶ Ja darba laikā pastāv iespēja, ka instruments var nonākt saskarē ar apslēptiem elektriskajiem vadiem, vienmēr satveriet iekārtu aiz izolētajām rokturu virsmām. Saskaroties ar spriegumam pieslēgtiem vadiem, spriegums tiek novadīts uz iekārtas metāla daļām, radot elektrošoka risku.
- ▶ Izvairieties no saskares ar rotējošām daļām. Traumu risks!
- ▶ Iekārtas lietošanas laikā valkājiet piemērotas aizsargbrilles, aizsargķiveri, ausu aizsargus, kā arī vieglu elpceļu aizsardzības aprīkojumu.
- ▶ Arī instrumenta maiņas laikā valkājiet aizsargcimdus. Saskaņā ar maināmo instrumentu var izraisīt grieztas traumas un apdegumus.
- ▶ Valkājiet aizsargbrilles vai masku. Materiāla šķembas var savainot ķermeni un acis.
- ▶ Pirms darba sākšanas noskaidrojiet darba laikā radušos putekļu bīstamības kategoriju. Lietojiet celtniecības putekļsūcēju ar oficiālas sertifikācijas ietvaros piešķirtu drošības klasifikāciju, kas atbilst vietējiem putekļu ietekmes ierobežošanas normatīviem. Putekļi, ko rada tādi materiāli kā, piemēram, svīnu saturoša krāsa, dažādi koksnes veidi, betons / mūris / kvarcu saturoši akmeņi, minerāli un metāls, var būt kaitīgi veselībai.
- ▶ Nodrošiniet darba vietā labu ventilāciju un, ja nepieciešams, valkājiet elpceļu aizsargmasku, kas aizsargā pret attiecīgā veida putekļiem. Saskaņā ar šiem putekļiem vai to ieelpošanu var izraisīt lietotāja vai citu tuvumā esošo personu alerģiskas reakcijas un/vai elpceļu saslimšanas. Noteikti putekļu veidi, piemēram, ozola un skābarža koksnes putekļi, tiek uzskatīti par kancerogēniem – sevišķi kopā ar kokapstrādē izmantojamām vielām (hromātiem, koksnes aizsarglīdzekļiem). Azbestu saturošus materiālus drīkst apstrādāt tikai kompetenti speciālisti.
- ▶ Darba pārtraukumos veiciet pirkstu vingrinājumus, kas uzlabo asinsriti. Ilgstoša darba gadījumā vibrācija var radīt traucējumus pirkstu, roku vai plaukstu locītavu asinsvadu un nervu sistēmas funkcijās.



Elektrodrošība

- ▶ Pirms darba sākšanas pārbaudiet, vai darba zonā neatrodas neseģti elektrības vadi, gāzes vai ūdensapgādes caurules. Nejauši sabojājot zem sprieguma esošus vadus, iekārta ārējās metāla daļas var izraisīt elektrošoku.

Rūpīga elektroiekārtu lietošana un apkope

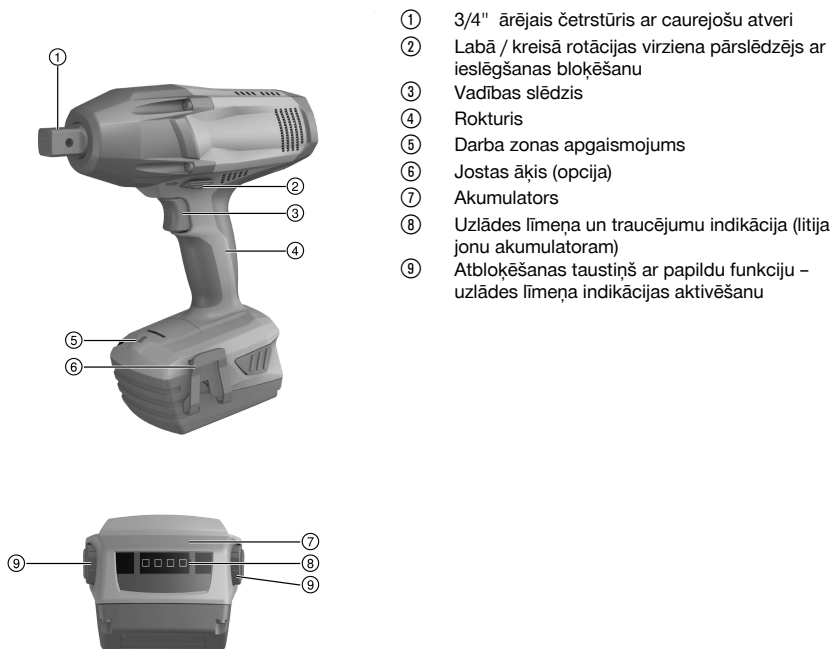
- ▶ Nekavējoties izslēdziet elektroiekārtu, ja nobloķējas instruments. Iekārta var tikt novirzīta uz sāniem.
- ▶ Nekad nenolieciet elektroiekārtu, kamēr nav pilnībā apstājusies tajā nostiprinātā instrumenta kustība.

2.3 Akumulatoru pareiza lietošana un apkope

- ▶ Ievērojiet īpašos norādījumus par litija jonu akumulatoru transportēšanu, uzglabāšanu un ekspluatāciju.
- ▶ Sargājiet akumulatorus no augstas temperatūras, tiešiem saules stariem un uguns.
- ▶ Akumulatorus nedrīkst izjaukt, saspiest, sakarsēt virs 80 °C vai sadedzināt.
- ▶ Nemēģiniet izmantot vai uzlādēt akumulatorus, kas bijuši pakļauti triecienam, krituši no vairāk nekā viena metra augstuma vai ir citā veidā bojāti. Šādā gadījumā vienmēr vērsieties savā **Hilti servisā**.
- ▶ Ja akumulators kļūst pārāk karsts, iespējams, ka tas ir bojāts. Novietojiet iekārtu pietiekamā attālumā no degošiem materiāliem, vietā, kur nevar notikt aizdegšanās un kur to iespējams pastāvīgi novērot, un ļaujiet tai atdzist. Šādā gadījumā vienmēr vērsieties savā **Hilti servisā**.

3 Apraksts

3.1 Izstrādājuma pārskats 1



3.2 Nosacījumiem atbilstīga lietošana

Aprakstītais izstrādājums ir manuāli vadāma, ar akumulatoru darbināma skrūvēšanas iekārta ar triecienu funkciju. Tā ir paredzēta uzgriežņu un bultskrūvju, dobtapu un kokskrūvju pievilksanai un atskrūvēšanai. Instrumenta nostiprināšanai tiek lietots ārējais četrstūris ar caurejošu atveri.

Skrūvēšanas iekārtu drīkst lietot tikai lietot darbiem, kam nav nepieciešams precīzs / specifisks griezes moments. Pretējā gadījumā pastāv risks, ka skrūve tiks pārgriezta un sabojāta vai tiks nodarīti bojājumi apstrādājamajai detaļai.



- ▶ Lietojiet kopā ar šo izstrādājumu tikai sērijas B 22 **Hilti** litija jonu akumulatorus.
- ▶ Lietojiet šo akumulatoru uzlādēšanai tikai sērijas C4/36 **Hilti** lādētājus.

3.3 Piegādes komplektācija

Skrūvēšanas iekārta ar triecienu funkciju, lietošanas instrukcija



Lai iekārtas lietošana būtu droša, izmantojiet tikai oriģinālās rezerves daļas un patēriņa materiālus. Rezerves daļas un patēriņa materiālus, kuru lietošanu kopā ar šo iekārtu mēs akceptējam, var atrast **Hilti Store** vai tīmekļvietnē. www.hilti.group | ASV: www.hilti.com.

3.4 Litija jonu akumulatora indikācija

Par litija jonu akumulatora uzlādes statusu un iekārtas darbības traucējumiem informē litija jonu akumulatora indikācija. Litija jonu akumulatora uzlādes statusu iespējams apskatīties, īsi nospiežot vienu no akumulatora atbloķēšanas taustiņiem.

Stass	Nozīme
4 LED deg.	Uzlādes statuss: no 75 % līdz 100 %
3 LED deg.	Uzlādes statuss: 50 % līdz 75 %
2 LED deg.	Uzlādes statuss: 25 % līdz 50 %
1 LED deg.	Uzlādes statuss: no 10 % līdz 25 %
1 LED mirgo, iekārta ir gatava darbam.	Uzlādes statuss: < 10 %
1 LED mirgo, iekārta nav gatava darbam.	Akumulators ir pārkarsis
4 LED mirgo, iekārta nav gatava darbam.	Iekārta ir pārslogota vai pārkarsusi



Ja ir nospiests vadības slēdzis, kā arī 5 sekunžu laikā pēc vadības slēdža atlaišanas nolasīt uzlādes statusa indikāciju nav iespējams. Ja mirgo akumulatora indikācijas LED, lūdzu, sekojiet nodaļas "Traucējumu diagnostika" norādījumiem.

4 Tehniskie parametri

4.1 Skrūvēšanas iekārta ar triecienu funkciju

Nominālais spriegums	21,6 V _{DC}
Svars saskaņā ar EPTA procedūru 01	3,6 kg
Nominālais rotācijas ātrums tukšgaitā	1 400 apgr./min
Triecienu frekvence	2 200/min
Apkārtējā temperatūra darbības laikā	-17 °C ... 60 °C
Uzglabāšanas temperatūra	-20 °C ... 70 °C

4.2 Akumulators

Akumulatora darba spriegums	21,6 V
Apkārtējā temperatūra darbības laikā	-17 °C ... 60 °C
Uzglabāšanas temperatūra	-20 °C ... 40 °C
Akumulatora temperatūra uzlādes sākumā	-10 °C ... 45 °C

4.3 Informācija par troksni un vibrāciju saskaņā ar EN 60745

Šajās instrukcijās norādītie lielumi, kas raksturo skaņas spiedienu un vibrāciju, ir noteikti ar standartizētas mērījumu metodes palīdzību, un tos var izmantot elektroiekārtu savstarpējai salīdzināšanai. Tos var izmantot arī trokšņa un vibrācijas iedarbības pagaidu novērtējumam. Norādītie parametri attiecas uz elektroiekārtas galvenajiem lietošanas veidiem. Taču, ja elektroiekārta tiek izmantota citos nolūkos, ar citiem maināmajiem instrumentiem vai netiek nodrošināta pietiekama tās apkope, parametri var atšķirties no norādītajiem. Tas var ievērojami palielināt trokšņa un vibrācijas iedarbību visā darba laikā. Lai precīzi novērtētu iedarbību, jāņem vērā arī laiks, cik ilgi iekārta ir izslēgta vai ir ieslēgta, taču faktiski netiek darbināta. Tas var būtiski samazināt iedarbību kopējā darba laikā. Jāparedz papildu drošības pasākumi, lai aizsargātu iekārtas lietotāju



pret trokšņa un/vai vibrācijas iedarbību, piemēram, elektroiekārtas un maināmo instrumentu apkope, roku turēšana siltumā, darba procesu organizācija.

Skaņas emisijas rādītāji

Skaņas spiediena līmenis (L_{pA})	98,5 dB(A)
Skaņas spiediena līmeņa pielāide (K_{pA})	3 dB(A)
Skaņas jaudas līmenis (L_{WA})	109,5 dB(A)
Skaņas jaudas līmeņa pielāide (K_{WA})	3 dB(A)

Kopējie vibrācijas rādītāji

Svārstību emisija, pievelkot maksimālā pieļaujamā izmēra skrūves un uzgriežņus (a_n)	7 m/s ²
Iespējamā kļūda (K)	1,5 m/s ²

5 Sagatavošanās darbam

5.1 Akumulatora uzlādēšana

1. Pirms uzlādes sākšanas izlasiet lādētāja lietošanas instrukciju.
2. Raugieties, lai akumulatora un lādētāja kontaktu virsmas ir tīras un sausas.
3. Veiciet akumulatora uzlādi atbilstīgā lādētājā.

5.2 Akumulatora ievietošana

IEVĒROT PIESARDZĪBU!

Traumu risks īssavienojuma vai akumulatora nokrišanas gadījumā!

- ▶ Pirms akumulatora ievietošanas pārliecinieties, ka uz akumulatora un izstrādājuma kontaktiem neatrodas nekādi svešķermeņi.
- ▶ Pārbaudiet, vai akumulators ir droši nofiksēts.

1. Pirms pirmās lietošanas pilnībā uzlādējiet akumulatoru.
2. Ievietojiet akumulatoru iekārtas stiprinājumā, līdz tas dzirdami nofiksējas.
3. Pārbaudiet, vai akumulators ir droši nofiksēts.

5.3 Akumulatora izņemšana

1. Nospiediet akumulatora atbloķēšanas taustiņus.
2. Izvelciet akumulatoru no iekārtas turētāja.

5.4 Ietveres (instrumenta) montāža

IEVĒROT PIESARDZĪBU!

Traumu risks! Neatbilstīgi instrumenti var izraisīt traumas!

- ▶ Lietojiet tikai instrumentus, ko ir iespējams nofiksēt.
- ▶ Nelietojiet nodilušus vai bojātus instrumentus.

IEVĒROT PIESARDZĪBU!

Traumu risks nodiluša vai bojāta drošības gredzena dēļ.

- ▶ Nelietojiet nodilušu vai bojātu drošības gredzenu.

1. Pārvietojiet labā / kreisā rotācijas virziena pārslēdzēju vidējā pozīcijā vai atvienojiet no iekārtas akumulatoru.
2. Uzlieciet ietveri uz iekārtas piedziņas četrstūra.



Pagrieziet ietveri tā, lai tās stiprinājuma atvere sakristu ar piedziņas četrstūra atveri.



3. Ja ir izpildīts turpmāk minētais nosacījums, papildus veiciet arī šo darbību:

Nosacījumi: Ja tiek lietots apaļā šķērs griezuma gredzens un drošības tapa.

- ▶ Izņemiet apaļā šķērs griezuma gredzenu no ietveres rievās. Iespraudiet drošības tapu ietveres un piedziņas četrstūra atverē. Pēc tam ievietojiet apaļā šķērs griezuma gredzenu atpakaļ ietveres rievā.

4. Ja ir izpildīts turpmāk minētais nosacījums, papildus veiciet arī šo darbību:

Nosacījumi: Ja tiek lietots drošības gredzens.

- ▶ Ievietojiet drošības gredzenu ietverē.

5.5 Ietveres (instrumenta) demontāža 3

1. Pārvietojiet labā / kreisā rotācijas virziena pārslēdzēju vidējā pozīcijā vai atvienojiet no iekārtas akumulatoru.
2. Izņemiet drošības gredzenu vai apaļā šķērs griezuma gredzenu kopā ar drošības tapu no ietveres.
3. Noņemiet ietveri no iekārtas piedziņas četrstūra.

5.6 Jostas āķa (opcija) montāža 4

BRĪDINĀJUMS!

Traumu risks! Iekārtas nokrišanas radīts apdraudējums.

- ▶ Iekārtas nokrišana var apdraudēt tās lietotāju un apkārtējos. Pirms darba uzsākšanas pārbaudiet, vai jostas āķis ir kārtīgi nofiksēts.



Ar jostas āķa palīdzību jūs varat nostiprināt iekārtu pie jostas tā, lai tā piekļautos ķermenim. Jostas āķi iespējams piemontēt nēsāšanai labajā un kreisajā pusē.

1. Izņemiet akumulatoru. → Lappuse 78
2. Iespraudiet jostas āķi tam paredzētajā stiprinājuma atverē pie izstrādājuma pamatnes.
3. Nostipriniet jostas āķi ar divām skrūvēm.

5.7 Hilti pretnokrišanas aprikojuma (opcija) montāža 5

UZMANĪBU!

Iekārtas un/vai drošības virves bojājumi. Nepareiza lietošana var izraisīt iekārtas un/vai drošības virves bojājumus.

- ▶ Drošības virves vietā nelietojiet metāla ķēdes. Nelietojiet drošības virves, kuru garums ir lielāks nekā 2,0 m (6 ft).



Lai izvairītos no negadījumiem, strādājot augstumā, ieteicams lietot Hilti pretnokrišanas aprikojumu. Pretnokrišanas aprikojums nodrošina iespēju piestiprināt drošības troses / lentes. Strādājot ar šo izstrādājumu, obligāti jāievēro valstī spēkā esošie noteikumi par darbu augstumā.

1. Izņemiet akumulatoru. → Lappuse 78
2. Iebīdīiet pretnokrišanas aprikojuma abas mēlītes rievās, kas atrodas iekārtas kājas abās pusēs.
3. Nostipriniet pretnokrišanas aprikojumu ar tam paredzētajām skrūvēm.
4. Ievietojiet akumulatoru. → Lappuse 78

6 Darbs

6.1 Labā / kreisā rotācijas virziena pārslēgšana 6



Vidējā pozīcijā labā / kreisā rotācijas virziena pārslēdzējs kalpo ieslēgšanas bloķēšanai.

- ▶ Novietojiet labā / kreisā rotācijas virziena pārslēdzēju pozīcijā, kas atbilst labajam vai kreisajam virzienam.



6.2 Ieslēgšana

- ▶ Nospiediet vadības slēdzi.
 - ↳ Ieslēšanas dziļums regulē apgriezīenu skaitu.



Nepārslogojiet izstrādājumu. Ja izstrādājums spēcīgi sakarst, ļaujiet tam dažas minūtes atdzist.

6.3 Izslēgšana

- ▶ Atlaidiet vadības slēdzi.

7 Apkope un uzturēšana



BRĪDINĀJUMS!

Traumu risks ievietota akumulatora gadījumā !

- ▶ Pirms jebkādiem apkopes un tehniskā stāvokļa uzturēšanas darbiem vienmēr izņemiet akumulatoru!

Iekārtas apkope

- Uzmanīgi notīriet pielīpušos netīrumus.
- Uzmanīgi iztīriet ventilācijas atveres ar sausu birstīti.
- Korpusa tīrīšanai jālieto tikai nedaudz samitrināta drāniņa. Nedrīkst lietot silikonu saturošus kopšanas līdzekļus, kas var sabojāt plastmasas daļas.

Litija jonu akumulatoru apkope

- Raugieties, lai akumulators ir tīrs un nebūtu savārtīts ar eļļu un smērvielām.
- Korpusa tīrīšanai jālieto tikai nedaudz samitrināta drāniņa. Nedrīkst lietot silikonu saturošus kopšanas līdzekļus, kas var sabojāt plastmasas daļas.
- Nepieļaujiet mitruma iekļūšanu.

Uzturēšana

- Regulāri pārbaudiet visas redzamās daļas, lai pārliecinātos, ka tās nav bojātas un funkcionē nevainojami.
- Bojājumu un/vai funkciju traucējumu gadījumā izstrādājumu nedrīkst lietot. Tas nekavējoties jānodod **Hilti**, lai veiktu remontu.
- Pēc apkopes un remonta darbiem visas aizsargierīces jāpiemontē vietā un jāpārbauda, vai tās darbojas.



Lai iekārtas lietošana būtu droša, izmantojiet tikai oriģinālās rezerves daļas un patēriņa materiālus. Rezerves daļas un patēriņa materiālus, kuru lietošanu kopā ar šo iekārtu mēs akceptējam, var atrast **Hilti Store** vai tīmekļvietnē. www.hilti.group.

8 Ar akumulatoru darbināmo iekārtu transportēšana un uzglabāšana

Transportēšana



IEVĒROT PIESARDZĪBU!

Nekontrolēta iedarbošanās transportēšanas laikā !

- ▶ Pirms iekārtu transportēšanas vienmēr izņemiet no tām akumulatorus!
- ▶ Izņemiet akumulatorus.
- ▶ akumulatorus nekādā gadījumā nedrīkst transportēt nostiprinātā veidā, sabērtus kaudzēs.
- ▶ Pirms atsākt iekārtas un akumulatoru lietošanu pēc ilgākas transportēšanas, pārbaudiet, vai tie nav bojāti.

Uzglabāšana



IEVĒROT PIESARDZĪBU!

Neparedzami bojājumi bojātu vai izplūdušu akumulatoru dēļ !

- ▶ Pirms iekārtu novietošanas glabāšanā vienmēr izņemiet no tām akumulatorus!
- ▶ Iekārta un akumulatori jāglabā pēc iespējas vēsā un sausā vietā.
- ▶ Nekādā gadījumā neglabājiet akumulatorus augstā temperatūrā, tiešos saules staros vai aiz stikla.
- ▶ Glabājiet iekārtu un akumulatorus vietā, kas nav pieejama bērniem un nepiederošām personām.
- ▶ Pirms atsākt iekārtas un akumulatoru lietošanu pēc ilgās uzglabāšanas, pārbaudiet, vai tie nav bojāti.



9 Traucējumu novēršana

Ja iekārtas darbībā ir radušies traucējumi, kas nav uzskaitīti šajā tabulā vai ko jums neizdodas novērst saviem spēkiem, lūdzu, meklējiet palīdzību mūsu **Hilti** servisā.

9.1 Traucējumu novēršana

Ja iekārtas darbībā radušies traucējumi, kas nav uzskaitīti šajā tabulā vai ko jums neizdodas novērst saviem spēkiem, lūdzu, meklējiet palīdzību mūsu **Hilti** servisā.

Traucējums	Iespējamais iemesls	Risinājums
Iekārtu nevar iedarbināt.	1 LED mirgo: akumulators ir tukšs.	► Izņemiet un uzlādējiet akumulatoru.
	Akumulators nav kārtīgi ievietots.	► Akumulatoram dzirdami jānofiksējas. Izņemiet akumulatoru un ievietojiet to vēlreiz.
	1 LED mirgo: akumulators ir pārāk karsts vai pārāk auksts.	► Atdzesējiet / sasildiet akumulatoru līdz darba temperatūrai.
	4 LED mirgo: iekārta ir īslaicīgi pārslēgta.	► Atlaidiet vadības slēdzi un pēc tam nospiediet to vēlreiz.
Nav iespējams nospriest vadības slēdzi.	Labā / kreisā rotācijas virziena slēdzis atrodas vidējā pozīcijā.	► Pārvietojiet labā / kreisā rotācijas virziena pārslēdzēju pa labi vai pa kreisi.
Ievērojami samazinās apgriezīu skaits.	Akumulators ir izlādējies.	► Izņemiet un uzlādējiet akumulatoru.
Akumulators dzirdami nenofiksējas.	Netīri akumulatora fiksācijas izciļņi.	► Notīriet fiksācijas izciļņus.
Akumulators izlādējas ātrāk nekā parasti.	Ļoti zema apkārtējā temperatūra.	► Lēnām sasildiet akumulatoru līdz istabas temperatūrai.

10 Nokalpojušo iekārtu utilizācija

Hilti iekārtu izgatavošanā tiek izmantoti galvenokārt otrreiz pārstrādājami materiāli. Priekšnosacījums otrreizējai pārstrādei ir atbilstoša materiālu šķirošana. Daudzās valstīs **Hilti** pieņem nolietotās iekārtas otrreizējai pārstrādei. Lai saņemtu vairāk informācijas, vērsieties **Hilti** servisā vai pie sava pārdošanas konsultanta.

Akumulatoru utilizācija

Ja akumulatoru utilizācija netiek veikta pareizā veidā, var izplūst kaitīgas gāzes un šķidrums, kas apdraud veselību.

- Bojātus akumulatorus nav atļauts nosūtīt!
- Lai nepieļautu īssavienojumus, nosedziet pieslēguma kontaktus ar materiālu, kam nepiemīt elektriskā vadītspēja.
- Utilizējiet akumulatorus tā, lai tiem nevarētu piekļūt bērni.
- Nododiet akumulatoru utilizācijai jūs apkalpojošajā **Hilti Store** vai vērsieties pie kompetentā atkritumu apsaimniekošanas uzņēmuma.



- Neizmetiet elektroiekārtas, elektroniskas ierīces un akumulatorus sadzīves atkritumos!

11 RoHS (direktīva par bīstamo vielu izmantošanas ierobežošanu)

Lai apskatītu bīstamo vielu tabulu, izmantojiet šādu saiti: qr.hilti.com/r4838535.
Saiti uz RoHS tabulu jūs QR koda veidā atradīsiet šīs dokumentācijas beigās.

12 Ražotāja garantija

- Ar jautājumiem par garantijas nosacījumiem, lūdzu, vērsieties pie vietējā **Hilti** partnera.



1 Dokumentų duomenys

1.1 Apie šią instrukciją

- Prieš pradėdami eksploatuoti, perskaitykite šią instrukciją. Tai yra saugaus darbo ir patikimo naudojimo sąlyga.
- Laikykitės šioje instrukcijoje ir ant prietaiso pateiktų saugos nurodymų ir įspėjimų.
- Šią naudojimo instrukciją visada laikykite kartu su prietaisu, prietaisą kitiems asmenims perduokite tik kartu su šia instrukcija.

1.2 Ženklių paaiškinimas

1.2.1 Įspėjantieji nurodymai

Įspėjantieji nurodymai įspėja apie pavojus, gresiančius eksploatuojant prietaisą. Naudojami tokie signaliniai žodžiai:

PAVOJUS

PAVOJUS !

- ▶ Šis žodis vartojamas norint įspėti apie tiesiogiai gresiantį pavojų, kurio pasekmės yra sunkūs kūno sužalojimai arba žūtis.

ĮSPĖJIMAS

ĮSPĖJIMAS !

- ▶ Šis žodis vartojamas norint įspėti apie galimai gresiantį pavojų, kurio pasekmės gali būti sunkūs kūno sužalojimai arba žūtis.





ATSARGIAI

ATSARGIAI !

- ▶ Šis žodis vartojamas potencialiai pavojingai situacijai žymėti, kai yra lengvo kūno sužalojimo arba materialinių nuostolių grėsmė.




1.2.2 Instrukcijoje naudojami simboliai

Šioje instrukcijoje naudojami tokie simboliai:

	Prieš naudojant, perskaityti instrukciją
	Naudojimo nurodymai ir kita naudinga informacija
	Rodo, kad juo paženklintą medžiagą galima perdirbti
	Elektrinių prietaisų ir akumuliatorių nemesti į buitinius šiukšlynus

1.2.3 Ilustracijose naudojami simboliai

Ilustracijose naudojami šie simboliai:

	Šis skaitmenys nurodo atitinkamą iliustraciją šios instrukcijos pradžioje
3	Numeravimas nurodo darbinių veiksmų eiliškumą paveikslėlyje ir gali skirtis nuo tekste pateikto darbinių veiksmų numeravimo
	Pozicijų numeriai naudojami paveikslėlyje Apžvalga – jie nurodo skyrelyje Prietaiso vaizdas esančių paaiškinimų numerius
	Šiuo ženklu siekiama atkreipti ypatingą dėmesį į naudojamą šiuo prietaisu.

1.3 Specifiniai prietaiso simboliai

1.3.1 Simboliai ant prietaiso

Ant prietaiso gali būti naudojami šie simboliai:



	Belaidis duomenų perdavimas
	Naudotas HilTI serijos ličio jonų akumulatorius. Atkreipkite dėmesį į duomenis skyriuje Naudojimas pagal paskirtį .
	II apsaugos klasė (su dviguba izoliacija)
n_0	Nominalus tuščiosios eigos sukimosi greitis
/min	Apsisukimai per minutę

1.4 Informacija apie prietaisą

HILTI gaminiai yra skirti profesionalams, todėl juos naudoti, techniškai prižiūrėti ir remontuoti leidžiama tik įgaliotam instruktuiotam personalui. Šis personalas turi būti supažindintas su visais galimais pavojais. Neapmokyto personalo, netinkamai arba ne pagal paskirtį naudojamas prietaisais ir jo reikmenys gali kelti pavojų.

Tipas ir serijos numeris yra nurodyti firminėje duomenų lentelėje.

- ▶ Serijos numerį perkeltkite į toliau nurodytą lentelę. Kreipdamiesi su prietaisu susijusiais klausimais į mūsų atstovybę ar techninės priežiūros centrą, visada nurodykite šiuos prietaiso duomenis.

Prietaiso duomenys

Akumulatorinis smūginis suktuvas	SIW 9-A22
Karta:	01
Serijos Nr.:	

1.5 Atitikties deklaracija

Prisiimdami visą atsakomybę pareiškiame, kad čia yra aprašytas gaminytis atitinka galiojančias direktyvas ir normas. Atitikties deklaracijos kopiją rasite šios instrukcijos gale.

Techninė dokumentacija saugoma čia:

HilTI Entwicklungsgesellschaft mbH | Zulassung Geräte | Hiltistraße 6 | 86916 Kaufering, DE

2 Sauga

2.1 Bendrieji saugos nurodymai dirbantiems su elektriniais įrankiais

⚠ [SPĖJIMAS Perskaitykite visus ant šio elektrinio įrankio esančius saugos nurodymus, instrukcijas, paveikslėlius ir techninius duomenis. Šių nurodymų nesilaikymas gali tapti elektros smūgio, gaisro ir / arba sunkių sužalojimų priežastimi.

Išsaugokite visus saugos nurodymus ir instrukcijas, kad galėtumėte į juos pažvelgti ateityje.

Saugos nurodymuose vartojama sąvoka „elektrinis įrankis“ apibrėžiama iš elektros tinklo maitinami elektriniai įrankiai (turintys maitinimo kabelį) ir iš akumulatoriaus maitinami elektriniai įrankiai (be maitinimo kabelio).

Sauga darbo vietoje

- ▶ **Pasirūpinkite, kad darbo vieta visada būtų švari ir gerai apšviesta.** Netvarkinga ar blogai apšviesta darbo vieta gali tapti nelaimingų atsitikimų priežastimi.
- ▶ **Nenaudokite elektrinio įrankio sprogyje aplinkoje, kurioje yra degių skysčių, dujų arba dulkių.** Veikiantys elektriniai įrankiai kibirkščiuoja, ir kibirkštys gali uždegti dulkes arba susikaupusius garus.
- ▶ **Dirbdami su elektriniu įrankiu, neleiskite darbo zonoje būti vaikams ir pašaliniais asmenims.** Atitraukę dėmesį nuo darbo, galite nebesuvaldyti prietaiso.

Apsauga nuo elektros

- ▶ **Prietaiso maitinimo kabelio kištukas turi atitikti elektros lizdo tipą.** Kištuko joku būdu negalima keisti. Nenaudokite tarpinių kištukų kartu su elektriniais įrankiais, turinčiais apsauginį įžeminimą. Nepakeisti kištukai ir tinkami elektros lizdai mažina elektros smūgio riziką.
- ▶ **Venkite kūno kontakto su įžemintais paviršiais, pvz., vamzdžiais, šildytuvais, viryklėmis ir šaldytuvais.** Kai žmogaus kūnas yra įžemintas, padidėja elektros smūgio tikimybė.
- ▶ **Elektrinius įrankius saugokite nuo lietaus ir drėgmės.** Į elektrinį įrankį patekus vandens, padidėja elektros smūgio rizika.
- ▶ **Nenaudokite elektros maitinimo kabelio ne pagal paskirtį, t. y. neneškite elektrinio įrankio paėmę už kabelio, nekabinkite jo ant kabelio, netraukite už kabelio, norėdami ištraukti kištuką iš elektros**



2113750

Lietuvių

83

lizdo. Elektros maitinimo kabelį saugokite nuo karščio, alyvos, aštrių briaunų ar judančių dalių. Pažeisti arba susipynę elektros maitinimo kabeliai didina elektros smūgio riziką.

- ▶ **Jei su elektriniu įrankiu dirbate lauke, naudokite tik tokius ilginimo kabelius, kurie tinka ir lauko darbams.** Naudojant lauko darbams tinkančius ilginimo kabelius, mažėja elektros smūgio rizika.
- ▶ **Jeigu elektrinio įrankio naudojimo drėgnoje aplinkoje negalima išvengti, į elektros tinklą jįjunkite per apsauginę nuotėkio relę.** Apsauginė nuotėkio relė mažina elektros smūgio riziką.

Žmonių sauga

- ▶ **Dirbdami su elektriniu įrankiu, būkite atidūs, sutelkite dėmesį į darbą ir vadovaukitės sveika nuovoka.** Elektrinio įrankio nenaudokite, jeigu esate pavargę arba apsvaigę nuo narkotinių medžiagų, alkoholio ar vaistų. Neatidumo akimirka dirbant su elektriniu įrankiu gali tapti rimtu sužalojimų priežastimi.
- ▶ **Naudokite asmenines apsaugos priemones ir visuomet užsidėkite apsauginius akinius.** Naudojant asmenines apsaugos priemones, pvz., respiratorių, neslystančius apsauginius batus, apsauginį šalną, ausines ir kt., priklausomai nuo elektrinio įrankio tipo ir naudojimo, mažėja rizika susižaloti.
- ▶ **Saugokitės, kad neįjungtumėte prietaiso atsitiktinai. Prieš prijungdami prie elektros maitinimo tinklo, įdėdami akumuliatorių, imdami į rankas ar nešdami, įsitinkinkite, kad elektrinis įrankis yra išjungtas.** Jeigu nešdami elektrinį įrankį pirštą laikysite ant jungiklio arba įrankį įjungsitė į elektros tinklą tuomet, kai jungiklis nėra išjungtas, gali įvykti nelaimingas atsitikimas.
- ▶ **Prieš įjungdami elektrinį įrankį, pašalinkite iš jo reguliavimo įrankius ar veržlinius raktus.** Besisukančioje prietaiso dalyje esantis įrankis ar paliktas raktas gali tapti sužalojimų priežastimi.
- ▶ **Venkite nepatogių kūno padėčių. Dirbdami stovėkite tvirtai ir visada išlaikykite kūno pusiausvyrą.** Taip galėsite geriau kontroliuoti elektrinį įrankį netikėtose situacijose.
- ▶ **Vilkėkite tinkamą aprangą. Nevilkėkite plačių drabužių, nesidėkite papuošalų.** Saugokite plaukus, drabužius ir pirštines nuo besisukančių prietaiso dalių. Laisvus drabužius, papuošalus ir ilgus plaukus gali įtraukti besisukančios prietaiso dalys.
- ▶ **Jeį yra numatyta galimybė prijungti dulkių nusiurbimo ar surinkimo įrenginius, visada įsitinkinkite, kad jie yra prijungti ir tinkamai naudojami.** Naudojant dulkių nusiurbimo įrenginį, gali sumažėti dulkių keliama grėsmė.
- ▶ **Neturėkite iliuzijų, kad visada esate saugūs, ir, skaitydami naudojimo instrukcijas, nepraleiskite skyrelių apie saugų darbą su elektriniais įrankiais, net jeigu per ilgus naudojimo metus esate su savo elektriniu įrankiu susipažinę.** Neatsargus veiksmas per sekundės dalį gali tapti sunkių sužalojimų priežastimi.

Elektrinio įrankio naudojimas ir elgesys su juo

- ▶ **Prietaiso neperkraukite.** Naudokite Jūsų darbai tinkamą elektrinį įrankį. Su tinkamu elektriniu įrankiu dirbsite geriau ir saugiau, jei neviršysite nurodytos galios.
- ▶ **Nenaudokite elektrinio įrankio su sugedusiu jungikliu.** Elektrinis įrankis, kurio nebegalima įjungti ar išjungti, yra pavojingas ir jį reikia remontuoti.
- ▶ **Prieš prietaisą nustatydami, keisdami reikmenis ar tiesiog padėdami į šalį, visuomet ištraukite maitinimo kabelio kištuką iš elektros lizdo ir / arba iš prietaiso išimkite akumuliatorių.** Ši atsargumo priemonė leis išvengti netikėto elektrinio įrankio įsijungimo.
- ▶ **Nenaudojamus elektrinius įrankius saugokite vaikams nepasiekiamoje vietoje. Neleiskite prietaisu naudotis asmenims, kurie nėra su juo susipažinę arba nėra perskaitę šios instrukcijos.** Elektriniai įrankiai yra pavojingi, kai juos naudoja patirties neturintys asmenys.
- ▶ **Elektrinius įrankius ir reikmenis rūpestingai prižiūrėkite.** Tikrinkite, ar judančios elektrinio įrankio dalys tinkamai funkcionuoja ir niekur nekliūva, ar nėra sulūžusių ir pažeistų dalių, kurios blogintų įrankio veikimą. Prieš naudojimą pažeistos prietaiso dalys turi būti suremontuotos. Blogai prižiūrimi elektriniai įrankiai yra daugelio nelaimingų atsitikimų priežastis.
- ▶ **Pjovimo įrankiai visuomet turi būti aštrūs ir švarūs.** Rūpestingai prižiūrėti pjovimo įrankiai su aštriomis pjovimo briaunomis mažiau stringa ir yra lengviau valdomi.
- ▶ **Elektrinį įrankį, reikmenis, keičiamuosius įrankius ir t. t. naudokite pagal šias instrukcijas. Taip pat atsižvelkite į darbo sąlygas ir atliekamo darbo pobūdį.** Elektrinius įrankius naudojant ne pagal paskirtį, gali kilti pavojingos situacijos.
- ▶ **Prižiūrėkite rankenas, kad jos ir jų laikymo paviršiai visada būtų sausi, švarūs ir neriebaluoti.** Slidžios rankenos ir jų laikymo paviršiai negali užtikrinti elektrinio įrankio saugaus naudojimo ir valdymo kontrolės nenumatytose situacijose.

Akumuliatorinio įrankio naudojimas ir elgesys su juo

- ▶ **Akumuliatoriams įkrauti naudokite tik tuos kroviklius, kuriuos rekomenduoja gamintojas.** Kroviklį, tinkantį tik nurodytiems akumuliatorių tipams, naudojant kitiems akumuliatoriams įkrauti, kyla gaisro pavojus.



- ▶ **Elektriniuose įrankiuose naudokite tik konkrečiai jiems skirtus akumulatorius.** Naudojant kitokius akumulatorius, kyla pavojus susižaloti ir sukelti gaisrą.
- ▶ **Nenaudojamo akumulatoriaus nelaikykite šalia sąvaržėlių, monetų, raktų, vinių, varžtų ar kitokių smulkių metalinių daiktų, kurie galėtų trumpai sujungti akumulatoriaus kontaktus.** Trumpai sujungus akumulatoriaus kontaktus, yra pavojus nusidenginti ar sukelti gaisrą.
- ▶ **Netinkamai naudojant akumuliatorių, iš jo gali ištekėti skystis. Venkite kontakto su šiuo skysčiu. Jei skystis atsitiktinai pateko ant odos, nuplaukite ją vandeniu, jei pateko į akis - gerai praplaukite jas vandeniu ir nedelsdami kreipkitės į gydytoją.** Akumulatoriaus skystis gali sudirginti arba chemiškai nudeginti odą.
- ▶ **Nenaudokite pažeisto arba perdirbto akumulatoriaus.** Pažeisti arba perdirbti akumulatoriai gali funkcionuoti nenumatytai, todėl gali kelti gaisro, sprogimo ar sužalojimų pavojų.
- ▶ **Akumuliatorių saugokite nuo ugnies ir per aukštos temperatūros.** Ugnies arba didesnės kaip 130 °C (265 °F) temperatūros veikiamas akumuliatorius gali sprogti.
- ▶ **Laikykites visų įkrovimo instrukcijų ir akumuliatorių arba akumuliatorinį įrankį visada įkraukite tik eksploatavimo instrukcijoje nurodytame temperatūrų diapazone.** Netinkamas įkrovimas arba įkrovimas už leistino temperatūrų diapazono ribų gali sugadinti akumuliatorių ir padidinti gaisro pavojų.

Techninė priežiūra

- ▶ **Savo elektrinį įrankį patikėkite remontuoti tik kvalifikuotam specialistui, tam jis turi naudoti tik originalias atsargines dalis.** Taip galima užtikrinti, kad bus išlaikytas prietaiso naudojimo saugumas.
- ▶ **Niekada nevykdykite pažeistų akumuliatorių techninės priežiūros.** Bet kokią akumuliatorių techninę priežiūrą leidžiama vykdyti tik gamintojiui arba įgaliotoms klientų aptarnavimo įmonėms.

2.2 Papildomi saugos nurodymai dirbantiems su suktuvu

Žmonių sauga

- ▶ Prietaisą naudokite tik tada, kai jis yra techniškai tvarkingas.
- ▶ Prietaisą draudžiama keisti ar kitaip juo manipuluoti.
- ▶ Naudokite prietaiso komplekte esančias papildomas rankenas. Prietaisui tapus nebevaldomam, galite susižaloti.
- ▶ Prietaisą visada laikykite tvirtai, abiem rankomis paėmę už rankenų. Rankenos visada turi būti sausas ir švarios.
- ▶ Vykdydami darbus, kurių metu keičiamasis įrankis gali paliesti paslėptus elektros laidus, prietaisą laikykite paėmę už izoliuotų rankenų paviršių. Dėl kontakto su laidais, kuriais teka elektros srovė, metalinėse prietaiso dalyse taip pat gali atsirasti įtampa, todėl kyla elektros smūgio pavojus.
- ▶ Venkite liesti besisukančias prietaiso dalis – susižalojimo pavojus!
- ▶ Dirbdami su prietaisu, užsidėkite tinkamus apsauginius akinius, apsauginį šalmą, ausines, lengvą respiratorių ir mūvėkite apsaugines pirštines.
- ▶ Apsaugines pirštines mūvėkite ir keisdami įrankį. Liesdami keičiamąjį įrankį, galite susipjaustyti ir nusidenginti rankas.
- ▶ Dirbdami užsidėkite akių apsaugos priemonę. Medžiagų skeveldros gali sužaloti odą ir akis.
- ▶ Prieš pradėdami dirbti, nustatykite darbo metu kilsiančių dulkių kenksmingumo klasę. Naudokite licencijuotą statybinį dulkių siurbį, atitinkantį apsaugos klasę pagal vietoje galiojančias apsaugos nuo dulkių normas. Tam tikru medžiagų, pvz., dažų, kuriuose yra švino junginių, kai kurių medienos rūšių, betono / mūro / akmens, kuriuose yra kvarco ir kitų mineralų, taip pat metalo dulkės gali būti sveikatai kenksmingos.
- ▶ Pasirūpinkite, kad darbo vieta būtų gerai vėdinama, ir, jeigu reikia, užsidėkite atitinkamoms dulkėms skirtą kvėpavimo takus saugančią kaukę. Liečiamos ar įkvėptos tokios dulkės darbuotojui ar arti juo esantiems asmenims gali sukelti alergines reakcijas ir / arba kvėpavimo takų susirgimus. Ažuolo arba buko medienos dulkės gali sukelti vėžinius susirgimus, ypač tada, kai buvo naudojami priedai medienai apdoroti (chromatai, medienos konservantai). Medžiagas, kuriose yra asbesto, leidžiama apdoroti tik specialistams.
- ▶ Dirbdami darykite pertraukas ir atpalaidavimo pratimus pirštams, kad pagerėtų kraujotaka. Dirbant ilgesnį laiką, vibracijos gali sukelti pirštų, plaštakos ar riešo sąnario kraujagyslių ar nervų sistemos pažeidimus.

Apsauga nuo elektros

- ▶ Prieš pradėdami dirbti, patikrinkite, ar darbo zonoje nėra paslėptų elektros laidų, dujų ar vandentiekio vamzdžių. Netyčia pažeidus elektros kabelį, išorinėse metalinėse prietaiso dalyse gali atsirasti įtampa, kelianti elektros smūgio pavojų.

Atsargus elektrinių įrankių naudojimas ir elgesys su jais

- ▶ Įrankiui užsiblokavus, elektrinį įrankį nedelsdami išjunkite. Prietaisas gali pakrypti į šoną.
- ▶ Prieš elektrinį įrankį padėdami, palaukite, kol jis visiškai sustos.

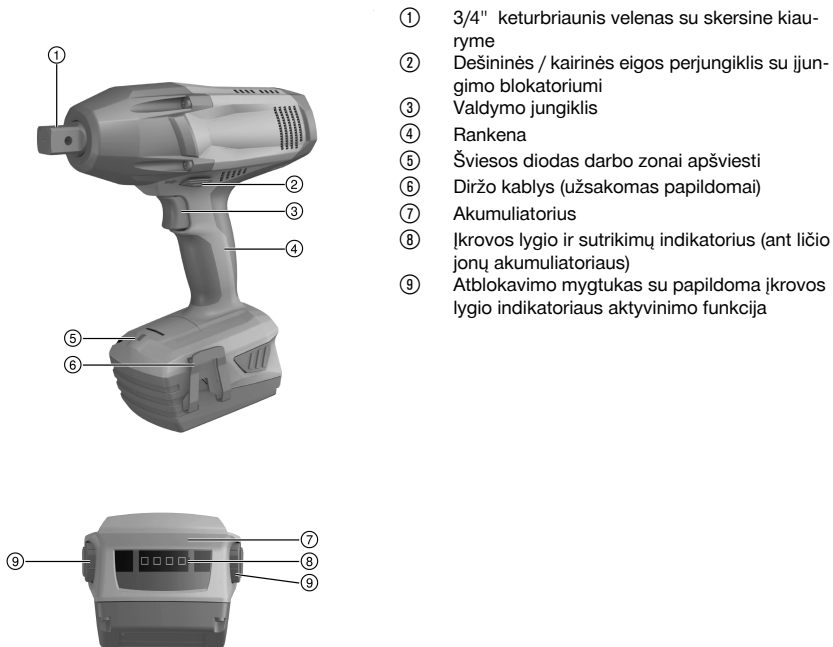


2.3 Su akumulatoriais elgtis atsargiai

- ▶ Laikykitės Li-Ion akumuliatorių specialiųjų transportavimo, sandėliavimo ir naudojimo direktyvų.
- ▶ Akumuliatorius saugokite nuo aukštos temperatūros, tiesioginių saulės spindulių ir ugnies.
- ▶ Akumuliatorius draudžiama ardyti, spausti, kaitinti iki aukštesnės kaip 80 °C temperatūros arba deginti.
- ▶ Nenaudokite ir neįkraukite akumuliatorių, kurie buvo patyrę smūgį, kritę iš didesnio kaip vieno metro aukščio ar yra kitokiu būdu pažeisti. Tokiu atveju visada kreipkitės į savo **Hilti techninės priežiūros centrą**.
- ▶ Jeigu į rankas paimtas akumuliatorius atrodo karštas, jis gali būti sugedęs. Prietaisą padėkite nedegioje vietoje toliau nuo degių medžiagų ir, nuolat stebėdami, leiskite atvėsti. Tokiu atveju visada kreipkitės į savo **Hilti techninės priežiūros centrą**.

3 Aprašymas

3.1 Prietaiso vaizdas



3.2 Naudojimas pagal paskirtį

Aprašytasis prietaisas yra rankinis akumuliatorinis smūginis suktuvas. Jis yra skirtas veržlėms, varžtams, kaiščiams ir medvaržčiams įsukti ir išsukti. Įrankio griebtuvus yra keturbriaunis velenas su skersine kiauryme. Smūginį suktuvą leidžiama naudoti tik tokiems darbams, kuriems nereikia tikslaus / užduoto sukimo momento. Priešingu atveju yra pavojus, kad varžtas bus persuktas ir pažeistas, o ruošinys – sugadintas.

- ▶ Su šiuo prietaisu naudokite tik B 22 serijos **Hilti** ličio jonų akumuliatorius.
- ▶ Šiems akumuliatoriams įkrauti naudokite tik C4/36 serijos **Hilti** kroviklius.

3.3 Tiekiamas komplektas

Smūginis suktuvas, naudojimo instrukcija.





Kad eksploatacija būtų patikima, naudokite tik originalias atsargines dalis ir eksploatacines medžiagas. Mūsų apbruotus atsargines dalis, eksploatacines medžiagas ir reikmenis savo prietaisui rasite vietinėje **Hilti Store** arba tinklalapyje www.hilti.group | JAV: www.hilti.com

3.4 Li-Ion akumuliatoriaus indikatorius

Apie Li-Ion akumuliatoriaus įkrovos lygį ir prietaiso sutrikimus informuoja Li-Ion akumuliatoriaus indikatorius. Li-Ion akumuliatoriaus įkrovos lygis rodomas paspaudus vieną iš dviejų akumuliatoriaus atblokavimo mygtukų.

Būsena	Reikšmė
Šviečia 4 diodai.	Įkrovos lygis: nuo 75 iki 100 %
Šviečia 3 diodai.	Įkrovos lygis: nuo 50 iki 75 %
Šviečia 2 diodai.	Įkrovos lygis: nuo 25 iki 50 %
Šviečia 1 diodas.	Įkrovos lygis: nuo 10 iki 25 %
Mirksi 1 šviesos diodas, prietaisas yra parengtas naudoti.	Įkrovos lygis: < 10 %
Mirksi 1 šviesos diodas, prietaisas neparengtas naudoti.	Akumuliatorius yra perkaitęs.
Mirksi 4 šviesos diodai, prietaisas neparengtas naudoti.	Prietaisas yra perkrautas arba perkaitęs.



Kai nuspaustas valdymo jungiklis ir maždaug 5 sekundes po jo paleidimo įkrovos lygio pasižiūrėti negalima. Kai akumuliatoriaus indikatorius šviesos diodai mirksi, laikykitės skyriuje „Pagalba sutrikus veikimui“ pateiktų nurodymų.

4 Techniniai duomenys

4.1 Smūginis suktuvas

Nominalioji maitinimo įtampa	21,6 V _{DC}
Svoris pagal „EPTA-Procedure 01“	3,6 kg
Nominalus tuščiosios eigos sukimosi greitis	1 400 aps./min.
Smūgiavimo dažnis	2 200/min
Darbinė aplinkos temperatūra	-17 °C ... 60 °C
Laikymo temperatūra	-20 °C ... 70 °C

4.2 Akumuliatorius

Akumuliatoriaus darbinė įtampa	21,6 V
Darbinė aplinkos temperatūra	-17 °C ... 60 °C
Laikymo temperatūra	-20 °C ... 40 °C
Akumuliatoriaus temperatūra, kai pradedama įkrauti	-10 °C ... 45 °C

4.3 Informacija apie triukšmą ir vibracijos reikšmės pagal EN 60745

Šiuose nurodymuose pateiktos garso slėgio ir vibracijos reikšmės yra išmatuotos taikant standartizuotą matavimo metodą ir gali būti naudojamos elektriniams įrankiams palyginti tarpusavyje. Jos taip pat tinka šių veiksmų poveikiui iš anksto įvertinti. Nurodytieji duomenys yra susieti su pagrindinėmis šio elektrinio įrankio naudojimo sritimis. Jeigu elektrinis įrankis bus naudojamas kitaip, su skirtingais keičiamaisiais įrankiais arba bus nepakankamai techniškai prižiūrimas, šie duomenys gali skirtis nuo nurodytųjų. Tai gali gerokai padidinti šių veiksmų poveikį per visą darbo laikotarpį. Norint tiksliai įvertinti poveikį, reikėtų įvertinti ir laiką, kai prietaisas yra išjungtas, arba, nors ir įjungtas, juo faktiškai nedirbama. Toks įvertinimas gali smarkiai sumažinti poveikio per visą darbo laikotarpį reikšmę. Imkitės papildomų saugos priemonių, kad darbuotojas būtų apsaugotas nuo triukšmo ir / arba vibracijos poveikio, pavyzdžiui, reikalaukite tinkamos elektrinio įrankio ir keičiamųjų įrankių techninės priežiūros, pasirūpinkite, kad darbuotojų rankos visada būtų šiltos, užtikrinkite tinkamą darbo organizavimą.



2113750

Lietuvių

87

Skleidžiamo triukšmo lygio reikšmės

Skleidžiamo garso slėgio lygis (L_{pA})	98,5 dB(A)
Garso slėgio lygio paklaida (K_{pA})	3 dB(A)
Garso galios lygis (L_{WA})	109,5 dB(A)
Garso stiprumo lygio paklaida (K_{WA})	3 dB(A)

Suminės vibracijų reikšmės

Vibracijų emisijos reikšmė, priveržiant maksimalaus leistino dydžio varžtus ir veržles (a_h)	7 m/s ²
Paklaida (K)	1,5 m/s ²

5 Paruošimas darbui**5.1 Akumulatoriaus įkrovimas**

1. Prieš pradėdami krauti, perskaitykite kroviklio naudojimo instrukciją.
2. Atkreipkite dėmesį, kad akumulatoriaus ir kroviklio kontaktai turi būti švarūs ir sausi.
3. Akumuliatorių įkraukite leistinu krovikliu.

5.2 Akumulatoriaus įdėjimas**⚠ ATSARGIAI****Sužalojimo pavojus dėl trumpojo jungimo arba krintančio akumulatoriaus!**

- ▶ Prieš įdėdami akumuliatorių, įsitikinkite, kad jo ir prietaiso kontaktuose nėra pašalinių daiktų.
- ▶ Visada įsitikinkite, kad akumulatorius tinkamai užsifiksavo.

1. Prieš pirmą kartą naudodami, akumuliatorių pilnai įkraukite.
2. Akumuliatorių dėkite į prietaisą esantį laikiklį, kol girdimai užsifiksuos.
3. Patikrinkite, ar akumulatorius gerai užfiksuotas prietaise.

5.3 Akumulatoriaus išėmimas

1. Spauskite akumulatoriaus atfiksavimo mygtukus.
2. Akumuliatorių ištraukite iš prietaisą esančio laikiklio.

5.4 Galvutės (įrankio) montavimas 2**⚠ ATSARGIAI****Sužalojimo pavojus dėl netinkamo įrankio naudojimo!**

- ▶ Naudokite tik tokius įrankius, kurie turi fiksavimo galimybę.
- ▶ Nenaudokite susidėvėjusių arba apgadintų keičiamųjų įrankių.

⚠ ATSARGIAI**Sužalojimo pavojus dėl susidėvėjusios arba pažeistos apsaugos**

- ▶ Nenaudokite susidėvėjusio arba pažeisto apsauginio žiedo.

1. Dešininės / kairinės eigos perjungiklį nustatykite į vidurinę padėtį arba nuo prietaiso nuimkite akumuliatorių.
2. Galvutę užmaukite ant prietaiso keturbriaunio veleno.



Galvutę nustatykite į tokią padėtį, kad galvutės pagrinde esanti skylė sutaptų su skylė keturbriauniame velene.



3. Jeigu yra tenkinama toliau nurodyta sąlyga, papildomai atlikite šį veiksmą:

Sąlygos: Naudojant apvalaus skerspjuvio tarpiklį ir apsauginį kaištį.

- ▶ Iš galvutėje esančio griovelio išimkite apvalaus skerspjuvio tarpiklį. Apsauginį kaištį įkiškite į galvutės ir keturbriaunio veleno skylės. Po to vėl įdėkite apvalaus skerspjuvio tarpiklį į galvutės griovelį.

4. Jeigu yra tenkinama toliau nurodyta sąlyga, papildomai atlikite šį veiksmą:

Sąlygos: Naudojant apsauginį žiedą.

- ▶ Į galvutę įstatykite apsauginį žiedą.

5.5 Galvutės (irankio) išmontavimas

1. Dešininės / kairinės eigos perjungiklį nustatykite į vidurinę padėtį arba nuo prietaiso nuimkite akumuliatorių.
2. Iš galvutės išimkite apsauginį žiedą arba apvalaus skerspjuvio tarpiklį įskaitant apsauginį kaištį.
3. Galvutę nuimkite nuo prietaiso keturbriaunio veleno.

5.6 Diržo kablio (užsakomas papildomai) montavimas

ĮSPĖJIMAS

Sužalojimo pavojus. Krintantis prietaisas kelia pavojų.

- ▶ Krintantis prietaisas gali sužaloti Jus ir kitus žmones. Prieš pradėdami dirbti, tikrinkite, ar diržo kablys yra patikimai pritvirtintas.



Diržo kabliu prietaisą galite pritvirtinti prie diržo arti kūno. Diržo kabliį galima sumontuoti taip, kad prietaisą būtų galima kabinti dešinėje arba kairėje kūno pusėje.

1. Akumuliatorių išimkite. → psl. 88
2. Diržo kabliį įstatykite į tam tikslui numatytą angą prietaiso pagrinde.
3. Diržo kabliį pritvirtinkite dviem varžtais.

5.7 Hilti apsaugos nuo kritimo įtaiso montavimas (užsakomas papildomai)

DĖMESIO

Prietaiso ir / arba apsauginės virvės pažeidimas. Dėl netinkamo naudojimo prietaisas ir / arba apsauginė virvė gali būti pažeisti.

- ▶ Vietoje apsauginės virvės nenaudokite metalinės grandinės. Nenaudokite ilgesnės nei 2,0 m (6 ft) ilgio apsauginės virvės.



Kad būtų išvengta žalos, dirbant aukštai, rekomenduojama naudoti **Hilti** apsaugos nuo kritimo įtaisą.

Apsaugos nuo kritimo įtaisas leidžia pritvirtinti laikančius lynus / laikančias juostas.

Dirbant su prietaisu, būtina laikytis nacionalinių direktyvų dėl darbo aukštyje.

1. Akumuliatorių išimkite. → psl. 88
2. Abu apsaugos nuo kritimo įtaiso liežuvelius įstatykite į abiejose prietaiso kojos pusėse esančius griovelius.
3. Apsaugos nuo kritimo įtaisą pritvirtinkite atitinkamais varžtais.
4. Įdėkite akumuliatorių. → psl. 88

6 Darbas

6.1 Dešininio / kairinio sukimosi nustatymas



Į vidurinę padėtį nustatytas dešininės / kairinės eigos perjungiklis veikia kaip įjungimo blokatuoris.

- ▶ Dešininės / kairinės eigos perjungiklį nustatykite dešininiam arba kairiniam veleno sukimuisi.



6.2 Įjungimas

- ▶ Spauskite valdymo jungiklį.
 - ↳ Sukimosi greitis priklauso nuo jungiklio spaudimo gylio.



Neperkraukite prietaiso. Prietaisui stipriai kaistant, leiskite jam kelias minutes atvėsti.

6.3 Išjungimas

- ▶ Atleiskite valdymo jungiklį.

7 Priežiūra ir einamasis remontas



ĮSPĖJIMAS

Sužalojimo pavojus kai įstatytas akumulatorius !

- ▶ Prieš pradėdami bet kokius techninės priežiūros ir einamojo remonto darbus, akumuliatorių iš prietaiso išimkite!

Prietaiso priežiūra

- Atsargiai pašalinti prilipusius nešvarumus.
- Vėdinimo plyšius atsargiai išvalyti sausu šepetėliu.
- Korpusą valyti tik šiek tiek sudrėkinta šluoste. Nenaudoti silikono turinčių priežiūros priemonių, nes jos gali pakenkti plastikinėms detalėms.

Ličio jonų akumuliatorių priežiūra

- Akumuliatorių saugoti nuo alyvos ir tirštojo tepalo.
- Korpusą valyti tik šiek tiek sudrėkinta šluoste. Nenaudoti silikono turinčių priežiūros priemonių, nes jos gali pakenkti plastikinėms detalėms.
- Saugoti, kad į vidų neprasiskverbtų drėgmė.

Einamasis remontas

- Reguliariai tikrinti, ar matomos dalys nėra pažeistos ir ar valdymo elementai veikia nepriekaištingai.
- Pažeisto ir / arba turinčio veikimo sutrikimų prietaiso nenaudoti. Nedelsiant kreiptis į **Hilti** techninės priežiūros centrą dėl remonto.
- Baigus techninės priežiūros ir einamojo remonto darbus, sumontuoti visus apsauginius įtaisus ir patikrinti jų veikimą.



Kad eksploatacija būtų patikima, naudokite tik originalias atsargines dalis ir eksploatacines medžiagas. Mūsų aprobuotas atsargines dalis, eksploatacines medžiagas ir reikmenis savo prietaisui rasite vietinėje **Hilti Store** arba tinklalapyje www.hilti.group.

8 Akumuliatorių prietaisų transportavimas ir sandėliavimas

Transportavimas



ATSARGIAI

Atsitiktinis įjungimas transportuojant !

- ▶ Savo prietaisus visada transportuokite tik išėmę akumulatorius!
- ▶ Išimti akumulatorius.
- ▶ Akumuliatorių niekada netransportuoti sumetus į krūvą su kitais daiktais.
- ▶ Prieš naudojant po ilgesnio transportavimo, patikrinti, ar prietaisas ir akumulatoriai nėra pažeisti.

Sandėliavimas



ATSARGIAI

Atsitiktinis pažeidimas dėl sugedusių ar išsiliejusių akumuliatorių !

- ▶ Savo prietaisus visada laikykite tik išėmę akumulatorius!
- ▶ Prietaisą ir akumulatorius pagal galimybes laikyti sausoje ir vėsioje vietoje.
- ▶ Akumuliatorių jokiū būdu nelaikyti saulės atokaitoje, ant šildymo prietaisų ar už automobilio lango stiklo.
- ▶ Prietaisą ir akumulatorius laikyti vaikams bei neįgalotiems asmenims neprieinamoje vietoje.



- Prieš naudojant po ilgesnio sandėliavimo, patikrinti, ar prietaisai ir akumuliatoriai nėra pažeisti.

9 Pagalba sutrikus veikimui

Pasitaikius sutrikimų, kurie nėra aprašyti šioje lentelėje arba kurių negalite pašalinti patys, kreipkitės į **Hilti** techninės priežiūros centrą.

9.1 Pagalba sutrikus veikimui

Pasitaikius sutrikimų, kurie nėra aprašyti šioje lentelėje arba kurių negalite pašalinti patys, kreipkitės į **Hilti** techninės priežiūros centrą.

Sutrikimas	Galima priežastis	Sprendimas
Prietaisai neįsijungia.	Mirksi 1 šviesos diodas: akumuliatorius yra išsekęs.	► Akumuliatorių išimti ir įkrauti.
	Akumuliatorius netinkamai įdėtas.	► Akumuliatorius turi garsiai užsifiksuoti. Akumuliatorių išimti ir vėl įdėti.
	Mirksi 1 šviesos diodas: akumuliatorius yra per karštas arba per šaltas.	► Akumuliatorių atvėsinti / pašildyti iki darbinės temperatūros.
	Mirksi 4 šviesos diodai: prietaisai trumpam perkrautas	► Atleiskite ir vėl paspauskite valdymo jungiklį.
Negalima paspausti valdymo jungiklio.	Dešininės / kairinės eigos perjungiklis yra vidurinėje padėtyje.	► Dešininės / kairinės eigos perjungiklį pastumkite į kairę arba į dešinę.
Stipriai krinta sukimosi greitis.	Akumuliatorius yra iškrautas.	► Akumuliatorių išimti ir įkrauti.
Akumuliatorius garsiai neužsifiksuoja.	Užterštas akumuliatoriaus fiksatorius.	► Valyti fiksatorių.
Akumuliatorius išsikrauna greičiau nei įprastai.	Labai žema aplinkos temperatūra.	► Akumuliatorių lėtai pašildyti iki patalpos temperatūros.

10 Utilizavimas

Hilti prietaisai yra pagaminti iš medžiagų, kurias galima naudoti antrą kartą. Būtina antrinio perdirbimo sąlyga yra tinkamas medžiagų išrūšiavimas. Daugelyje šalių **Hilti** priims Jūsų nebenaudojamą prietaisą perdirbti. Apie tai galite pasiteirauti artimiausiam **Hilti** techninės priežiūros centre arba savo prekybos konsultantui.

Akumuliatorių utilizavimas

Dėl netinkamo akumuliatorių utilizavimo į aplinką pasklidusios dujos ar ištekėję skysčiai gali kelti grėsmę sveikatai.

- Pažeistų akumuliatorių nesiųskite paštu ir nepervežkite!
- Kad būtų išvengta trumpojo jungimo, jungtis uždenkite elektrai nelaidžia medžiaga.
- Akumuliatorius utilizuokite taip, kad jie negalėtų patekti į vaikų rankas.
- Akumuliatorių pristatykite utilizuoti į savo **Hilti Store** arba kreipkitės į vietinę kompetentingą utilizavimo įmonę.



- Elektrinių įrankių, elektroninių prietaisų ir akumuliatorių neišmeskite į buitinius šiukšlynus!

11 RoHS (direktyva dėl pavojingų medžiagų naudojimo ribojimo)

Pavojingų medžiagų lentelę rasite spausdami šią nuorodą: qr.hilti.com/r4838535.

Nuorodą į RoHS lentelę rasite kaip QR kodą šios instrukcijos gale.

12 Gamintojo teikiama garantija

- Kilus klausimų dėl garantijos sąlygų, kreipkitės į vietinį **Hilti** partnerį.



2113750

Lietuvių

91

1 Указания к документации

1.1 Об этом документе



Импортер и уполномоченная изготовителем организация

- (RU) Российская Федерация
АО "Хилти Дистрибьюшн ЛТД", 141402, Московская область, г. Химки, ул. Ленинградская, стр. 25
- (BY) Республика Беларусь
222750, Минская область, Дзержинский район, Р-1, 18-й км, 2 (около д. Слободка), помещение 1-34
- (KZ) Республика Казахстан
Республика Казахстан, индекс 050011, г. Алматы, ул. Пугачева 4
- (KG) Киргизская Республика
ОсОО "Т AND Т", 720021, Кыргызстан, Бишкек, ул. Ибраимова 29 А
- (AM) Республика Армения
ООО Эйч-Кон, Республика Армения, г. Ереван, ул. Бабаяна 10/1

Страна производства: см. маркировочную табличку на оборудовании.

Дата производства: см. маркировочную табличку на оборудовании.

Соответствующий сертификат можно найти по адресу: www.hilti.ru

Специальных требований к условиям хранения, транспортировки и использования, кроме указанных в руководстве по эксплуатации, нет.

Срок службы изделия составляет 5 лет.

- Ознакомьтесь с этим документом перед началом работы. Это является залогом безопасной работы и бесперебойной эксплуатации.
- Соблюдайте указания по технике безопасности и предупреждающие указания, приводимые в данном документе и на изделии.
- Храните руководство по эксплуатации всегда рядом с электроинструментом и передавайте электроинструмент будущим владельцам только вместе с этим руководством.

1.2 Пояснение к знакам (условным обозначениям)

1.2.1 Предупреждающие указания

Предупреждающие указания служат для предупреждения об опасностях при обращении с машиной. Используются следующие сигнальные слова:



ОПАСНО

ОПАСНО !

- Общее обозначение непосредственной опасной ситуации, которая влечет за собой тяжелые травмы или смертельный исход.



ПРЕДУПРЕЖДЕНИЕ

ПРЕДУПРЕЖДЕНИЕ !

- Общее обозначение потенциально опасной ситуации, которая может повлечь за собой тяжелые травмы или смертельный исход.



ОСТОРОЖНО

ОСТОРОЖНО !

- Общее обозначение потенциально опасной ситуации, которая может повлечь за собой легкие травмы или повреждение оборудования.

1.2.2 Символы, используемые в руководстве

В этом руководстве используются следующие символы:



Перед использованием прочтите руководство по эксплуатации.



	Указания по эксплуатации и другая полезная информация
	Обращение с материалами, пригодными для вторичной переработки
	Не выбрасывайте электроустройства и аккумуляторы вместе с обычным мусором!

1.2.3 Символы на изображениях

На изображениях используются следующие символы:

	Эти цифры указывают на соответствующее изображение в начале данного руководства.
3	Нумерация на изображениях отображает порядок выполнения рабочих операций и может отличаться от нумерации, используемой в тексте.
	Номера позиций используются в обзорном изображении. В обзоре изделия они указывают на номера в экспликации.
	Этот знак должен привлечь особое внимание пользователя при обращении с изделием.

1.3 Символы в зависимости от изделия

1.3.1 Символы на изделии

На изделии могут использоваться следующие символы:

	Беспроводная передача данных
	Серия используемых литий-ионных аккумуляторов HilTi . Соблюдайте указания, приведенные в главе Использование по назначению .
	Класс защиты II (двойная изоляция)
n_0	Номинальная частота вращения на холостом ходу
/min	оборотов в минуту (об/мин)

1.4 Информация об изделии

Изделия **HILTI** предназначены для профессионального использования, поэтому они должны обслуживаться и ремонтироваться только уполномоченным и обученным персоналом. Этот персонал должен пройти специальный инструктаж по технике безопасности. Использование изделия и его оснстки не по назначению или его эксплуатация необученным персоналом могут представлять опасность.

Типовое обозначение и серийный номер указаны на заводской табличке.

- ▶ Перепишите серийный номер в нижеприведенную табличную форму. Данные изделия необходимы при обращении в наше представительство или сервисный центр.

Указания к изделию

Аккумуляторный ударный гайковерт	SIW 9-A22
Поколение:	01
Серийный номер:	

1.5 Декларация соответствия нормам

Настоящим мы с полной ответственностью заявляем, что данное изделие соответствует действующим директивам и нормам. Копию декларации соответствия нормам см. в конце этого документа.

Техническая документация (оригиналы) хранится здесь:

HilTi Entwicklungsgesellschaft mbH | Zulassung Geräte | Hiltistraße 6 | 86916 Kaufering, Германия



2113750

Русский

93

2.1 Общие указания по технике безопасности для электроинструментов

⚠ ПРЕДУПРЕЖДЕНИЕ Изучите все указания по технике безопасности, инструкции, иллюстрации и технические данные, которые прилагаются к данному электроинструменту. Несоблюдение приводимых ниже указаний может привести к поражению электрическим током, пожару и/или тяжелым травмам.

Сохраните все указания по технике безопасности и инструкции для следующего пользователя. Используемый далее термин «электроинструмент» относится к электроинструменту, работающему от электрической сети (с кабелем электропитания) и от аккумулятора (без кабеля электропитания).

Безопасность рабочего места

- ▶ Следите за чистотой и хорошей освещенностью на рабочем месте. Беспорядок на рабочем месте или плохое освещение могут привести к несчастным случаям.
- ▶ Не используйте электроустройство/электроинструмент во взрывоопасной зоне, где имеются горючие жидкости, газы или пыль. При работе электроустройство/электроинструмент искрит, и искры могут воспламенить пыль или пары/газы.
- ▶ Не разрешайте детям и посторонним приближаться к работающему электроустройству/электроинструменту. Отвлекаясь от работы, можно потерять контроль над электроустройством/электроинструментом.

Электрическая безопасность

- ▶ Соединительная вилка электроинструмента должна соответствовать розетке электросети. Не изменяйте конструкцию вилки! Не используйте переходные вилки с электроинструментами с защитным заземлением. Использование оригинальных вилок и соответствующих им розеток снижает риск поражения электрическим током.
- ▶ Избегайте непосредственного контакта с заземленными поверхностями, например с трубами, отопительными приборами, газо-/электропластинами и холодильниками. При контакте с заземленными предметами возникает повышенный риск поражения электрическим током.
- ▶ Предохраняйте электроинструменты от дождя или воздействия влаги. В результате попадания воды в электроинструмент возрастает риск поражения электрическим током.
- ▶ Не используйте кабель электропитания не по назначению, например для переноски электроинструмента, его подвешивания или для выдергивания вилки из розетки электросети. Защищайте кабель электропитания от воздействий высоких температур, масла, острых кромок или вращающихся деталей/узлов. В результате повреждения или схлестывания кабелей электропитания повышается риск поражения электрическим током.
- ▶ Если работы с электроинструментом выполняются на открытом воздухе, применяйте только удлинительные кабели, которые разрешено использовать вне помещений. Использование удлинительного кабеля, пригодного для использования вне помещений, снижает риск поражения электрическим током.
- ▶ Если избежать работы с электроинструментом в условиях влажности не представляется возможным, используйте автомат защиты от тока утечки. Использование автомата защиты от тока утечки снижает риск поражения электрическим током.

Безопасность персонала

- ▶ Будьте внимательны, следите за своими действиями и серьезно относитесь к работе с электроинструментом. Не пользуйтесь электроинструментом, если вы устали или находитесь под действием наркотиков, алкоголя или медикаментов. Незначительная ошибка при невнимательной работе с электроинструментом может стать причиной серьезного травмирования.
- ▶ Используйте средства индивидуальной защиты и всегда надевайте защитные очки. Использование средств индивидуальной защиты, например респиратора, защитной обуви на нескользящей подошве, защитной каски или защитных наушников, в зависимости от вида и условий эксплуатации электроинструмента, снижает риск травмирования.
- ▶ Избегайте непреднамеренного включения электроинструмента. Убедитесь в том, что электроинструмент выключен, прежде чем подключить его к электропитанию и/или вставить аккумулятор, поднимать или переносить электроинструмент. Ситуации, когда при переноске электроинструмента палец находится на выключателе или когда включенный электроинструмент подключается к электросети, могут привести к несчастным случаям.
- ▶ Перед включением электроинструмента удалите регулировочные приспособления или гаечные ключи. Рабочий инструмент или гаечный ключ, находящийся во вращающейся части электроинструмента, может стать причиной получения травм.



- ▶ **Старайтесь избегать неестественных поз при работе. Постоянно сохраняйте устойчивое положение и равновесие.** Это позволит лучше контролировать электроинструмент в непредвиденных ситуациях.
- ▶ **Носите спецодежду. Не надевайте очень свободную одежду или украшения. Оберегайте волосы, одежду и защитные перчатки от вращающихся узлов электроинструмента.** Свободная одежда, украшения и длинные волосы могут быть захвачены ими.
- ▶ **Если предусмотрено подсоединение устройств для удаления и сбора пыли, убедитесь в том, что они подсоединены и используются по назначению.** Использование пылеудаляющего аппарата снижает вредное воздействие пыли.
- ▶ **Не пребывайте в ложной уверенности в собственной безопасности и не пренебрегайте правилами техники безопасности для электроинструментов, даже если вы являетесь опытным пользователем электроинструмента.** Неосторожное обращение может в течение долей секунды стать причиной получения тяжелых травм.

Использование и обслуживание электроинструмента

- ▶ **Не допускайте перегрузки электроинструмента. Используйте электроинструмент, предназначенный именно для данной работы.** Соблюдение этого правила обеспечит более высокое качество и безопасность работы в указанном диапазоне мощности.
- ▶ **Не используйте электроинструмент с неисправным выключателем.** Электроинструмент, включение или выключение которого затруднено, представляет опасность и должен быть отремонтирован.
- ▶ **Прежде чем приступить к регулировке электроинструмента, замене принадлежностей или перед перерывом в работе выньте вилку из розетки и/или аккумулятор из электроинструмента.** Данная мера предосторожности позволит предотвратить непреднамеренное включение электроинструмента.
- ▶ **Храните неиспользуемые электроинструменты в местах, недоступных для детей. Не позволяйте использовать электроинструмент лицам, которые не ознакомлены с ним или не читали эти инструкции.** Электроинструменты представляют собой опасность в руках неопытных пользователей.
- ▶ **Бережно обращайтесь с электроинструментами и принадлежностями. Проверяйте безупречное функционирование подвижных частей, легкость их хода, целостность и отсутствие повреждений, которые могли бы отрицательно повлиять на работу электроинструмента. Сдавайте поврежденные части электроинструмента в ремонт до его использования.** Причиной многих несчастных случаев является несоблюдение правил технического обслуживания электроинструментов.
- ▶ **Необходимо следить за тем, чтобы режущие инструменты были острыми и чистыми.** Заклинивание содержащихся в надлежащем состоянии режущих инструментов происходит реже, ими легче управлять.
- ▶ **Применяйте электроинструмент, принадлежности (оснастку), рабочие инструменты и т. д. согласно данным указаниям. Учитывайте при этом рабочие условия и характер выполняемой работы.** Использование электроинструментов не по назначению может привести к опасным ситуациям.
- ▶ **Замасленные рукоятки и поверхности для хвата немедленно очищайте — они должны быть сухими и чистыми.** Скользкие рукоятки и поверхности для хвата не обеспечивают безопасное управление и контроль электроинструмента в непредвиденных ситуациях.

Использование и обслуживание аккумуляторного инструмента

- ▶ **Заряжайте аккумулятор только с помощью зарядных устройств, рекомендованных изготовителем.** При использовании зарядного устройства для зарядки несоответствующих ему типов аккумуляторов существует опасность возгорания.
- ▶ **Используйте только оригинальные аккумуляторы, рекомендованные специально для этого электроинструмента.** Использование других аккумуляторов может привести к травмам и опасности возгорания.
- ▶ **Неиспользуемые аккумуляторы храните вдали от скрепок, монет, ключей, гвоздей, шурупов или других мелких металлических предметов, которые могут стать причиной замыкания контактов.** Замыкание контактов аккумулятора может привести к ожогам или возгоранию.
- ▶ **При неверном обращении с аккумулятором из него может вытечь электролит. Избегайте контакта с ним. При случайном контакте смойте водой. При попадании электролита в глаза немедленно обратитесь за помощью к врачу.** Вытекший из аккумулятора электролит может привести к раздражению кожи или ожогам.
- ▶ **Не используйте поврежденный или измененный аккумулятор.** Поврежденные или измененные аккумуляторы могут функционировать непредсказуемо и стать причиной возгорания, взрыва или травмирования.



- ▶ **Не подвергайте аккумулятор воздействию огня или слишком высоких температур.** Огонь или температура свыше 130 °C могут спровоцировать взрыв аккумулятора.
- ▶ **Соблюдайте все указания по зарядке и никогда не заряжайте аккумулятор или аккумуляторный инструмент вне температурного диапазона, указанного в руководстве по эксплуатации.** Неправильная зарядка/зарядка вне указанного в руководстве по эксплуатации температурного диапазона могут привести к разрушению аккумулятора и повышают опасность возгорания.

Сервис

- ▶ **Доверяйте ремонт своего электроинструмента только квалифицированному персоналу, использующему только оригинальные запчасти.** Этим обеспечивается поддержание электроинструмента в безопасном состоянии.
- ▶ **Категорически запрещается выполнять обслуживание поврежденных аккумуляторов.** Все технические работы с аккумуляторами должны выполняться только производителем или авторизованными сервисными мастерскими.

2.2 Дополнительные указания по технике безопасности при работе с гайковертом

Безопасность персонала

- ▶ Используйте электроинструмент только в технически исправном состоянии.
- ▶ Внесение изменений в конструкцию электроинструмента или его модификация категорически запрещаются.
- ▶ Используйте дополнительные рукоятки, входящие в комплект электроинструмента. Потеря контроля над электроинструментом может привести к получению травм.
- ▶ Всегда надежно удерживайте электроинструмент обеими руками за предусмотренные для этого рукоятки. Следите за тем, чтобы рукоятки были сухими и чистыми.
- ▶ При опасности повреждения рабочим инструментом скрытой электропроводки держите электроинструмент за изолированные поверхности рукояток. При контакте с токопроводящей линией металлические части электроинструмента также находятся под напряжением, что может привести к поражению электрическим током.
- ▶ Не прикасайтесь к вращающимся деталям/узлам электроинструмента — опасность травмирования!
- ▶ При работе с электроинструментом надевайте подходящие защитные очки, защитную каску, защитные наушники, защитные перчатки и легкий респиратор.
- ▶ При замене рабочего инструмента надевайте защитные перчатки. Соблюдайте осторожность при замене рабочего инструмента — контакт с ним может привести к порезам и ожогам.
- ▶ Пользуйтесь защитными очками. Осколки материала могут травмировать тело и глаза.
- ▶ Перед началом работы выясните по материалу заготовки класс опасности возникающей пыли. Для работы с электроинструментом используйте строительный (промышленный) пылесос, степень защиты которого соответствует нормам пылезащиты, действующим в месте эксплуатации. Пыль, возникающая при обработке лакокрасочных покрытий, содержащих свинец, некоторых видов древесины, бетона/кирпичной и каменной кладки с частицами кварца, минералов, а также металла может представлять опасность для здоровья.
- ▶ Обеспечьте оптимальную вентиляцию рабочей зоны и при необходимости надевайте респиратор, который подходит для защиты от конкретного вида пыли. Вдыхание частиц такой пыли или контакт с ней может стать причиной появления аллергических реакций и/или заболеваний дыхательных путей как у пользователя, так и находящихся вблизи лиц. Некоторые виды пыли (например, пыль, возникающая при обработке дуба или бука) считаются канцерогенными, особенно в комбинации с дополнительными материалами, используемыми для обработки древесины (соль хромовой кислоты, средства защиты древесины). К работам с асбестосодержащим материалом должны допускаться только специалисты.
- ▶ Допуск во время работы руки не затекали, время от времени делайте упражнения для расслабления и разминки пальцев. При длительной работе возникающие вибрации могут привести к нарушениям кровоснабжения сосудов или в нервных окончаниях пальцев/кистей рук или в запястьях.

Электрическая безопасность

- ▶ Перед началом работы проверяйте рабочее место на наличие скрытой электропроводки, газо- и водопроводных труб. Открытые металлические части электроинструмента могут стать проводниками электрического тока, если случайно задеть электропроводку.

Бережное обращение с электроинструментами и их правильная эксплуатация

- ▶ Немедленно выключайте электроинструмент в случае блокировки рабочего инструмента. Электроинструмент может уводить в сторону.
- ▶ Дождитесь, пока электроинструмент полностью не остановится, прежде чем отложить его в сторону.



2.3 Аккуратное обращение с аккумуляторами и их правильное использование

- ▶ Соблюдайте специальные предписания по транспортировке, хранению и эксплуатации литий-ионных аккумуляторов.
- ▶ Храните аккумуляторы на безопасном расстоянии от источников высокой температуры/огня и не подвергайте их прямому воздействию солнечного излучения.
- ▶ Запрещается разбирать, сдавливать, нагревать до температуры свыше 80 °С или сжигать аккумуляторы.
- ▶ Не используйте или не заряжайте аккумуляторы, которые подвергались ударам, падали с высоты более одного метра или получали какие-либо иные повреждения. При возникновении такой ситуации всегда обращайтесь в ближайший **сервисный центр Hilti**.
- ▶ Слишком сильный нагрев аккумулятора (такой, что до него невозможно дотронуться) указывает на его возможный дефект. Поместите изделие в пожаробезопасное место на достаточном расстоянии от воспламеняющихся материалов, где вы сможете контролировать ситуацию, и дайте ему остыть. При возникновении такой ситуации всегда обращайтесь в ближайший **сервисный центр Hilti**.

3 Описание

3.1 Обзор изделия 1



- ① Наружный четырехгранник 3/4" со сквозным отверстием
- ② Переключатель правого/левого вращения с блокировкой включения
- ③ Выключатель
- ④ Рукоятка
- ⑤ Подсветка рабочей зоны
- ⑥ Крепежный крючок (опция)



- ⑦ Аккумулятор
- ⑧ Индикатор уровня заряда и неисправности (литий-ионного аккумулятора)
- ⑨ Кнопка деблокировки с дополнительной функцией активации индикатора уровня заряда аккумулятора

3.2 Использование по назначению

Этот электроинструмент представляет собой ручной аккумуляторный ударный гайковёрт. Он предназначен для заворачивания/отворачивания гаек, болтов, дюбелей и шурупов по дереву. Зажимной патрон оснащен наружным четырехгранником со сквозным отверстием.

Ударный гайковёрт не предназначен для работ, при выполнении которых требуется точное соблюдение крутящего момента. В противном случае существует опасность перекручивания и повреждения крепежного элемента или заготовки.

- ▶ Для этого изделия используйте только литий-ионные аккумуляторы **Hilti** серии В 22.
- ▶ Для зарядки этих аккумуляторов используйте только зарядные устройства **Hilti** серии С4/36.



3.3 Комплект поставки

Ударный гайковерт, руководство по эксплуатации.



Для обеспечения безопасной эксплуатации используйте только оригинальные запасные части и расходные материалы. Допущенные нами запасные части, расходные материалы и принадлежности для данного изделия вы можете найти в **Hilti Store** или на сайте **www.hilti.group** | США: **www.hilti.com**

3.4 Индикатор состояния литий-ионного аккумулятора

Уровень заряда литий-ионного аккумулятора и сбой в работе электроинструмента сигнализируются посредством индикатора состояния литий-ионного аккумулятора. Уровень заряда литий-ионного аккумулятора отображается после нажатия одной из двух кнопок деблокировки аккумулятора.

Состояние	Значение
Горят четыре светодиода.	Уровень заряда: от 75 % до 100 %
Горят три светодиода.	Уровень заряда: от 50 % до 75 %
Горят два светодиода.	Уровень заряда: от 25 % до 50 %
Горит один светодиод.	Уровень заряда: от 10 % до 25 %
Мигает один светодиод, электроинструмент готов к работе.	Уровень заряда: < 10 %
Мигает один светодиод, электроинструмент не готов к работе.	Аккумулятор перегрет.
Мигают четыре светодиода, электроинструмент не готов к работе.	Электроинструмент перегрет или перегружен.



При нажатом выключателе и в течение макс. 5 с после его отпускания запрос уровня заряда невозможен. При мигании светодиодов индикатора состояния (уровня заряда) аккумулятора следуйте указаниям из главы «Помощь при неисправностях».

4 Технические данные

4.1 Ударный гайковерт

Номинальное напряжение	21,6 В пост.тока
Масса согласно методу ЕРТА 01	3,6 кг
Номинальная частота вращения на холостом ходу	1 400 об/мин
Частота ударов	2 200 1/мин
Температура окружающей среды при эксплуатации	-17 °C ... 60 °C
Температура хранения	-20 °C ... 70 °C

4.2 Аккумулятор

Рабочее напряжение аккумулятора	21,6 В
Температура окружающей среды при эксплуатации	-17 °C ... 60 °C
Температура хранения	-20 °C ... 40 °C
Температура аккумулятора в начале зарядки	-10 °C ... 45 °C

4.3 Данные по шуму и вибрациям согласно EN 60745

Приводимые здесь значения уровня звукового давления и вибрации были измерены согласно стандартизированной процедуре измерения и могут использоваться для сравнения электроинструментов между собой. Они также подходят для предварительной оценки вредных воздействий. Указанные данные применимы к основным областям применения электроинструмента. Однако, если электроинструмент используется для других целей, с другими рабочими (сменными) инструментами или в случае его неудовлетворительного технического обслуживания, данные могут быть иными. Вследствие этого в течение всего периода работы электроинструмента возможно значительное увеличение вредных воздей-



ствий. Для точного определения вредных воздействий следует также учитывать промежутки времени, в течение которых электроинструмент находится в выключенном состоянии или работает вхолостую. Вследствие этого в течение всего периода работы электроинструмента возможно заметное уменьшение вредных воздействий. Примите дополнительные меры безопасности для защиты пользователя от воздействия возникающего шума и/или вибраций, например: техническое обслуживание электроинструмента и рабочих инструментов, сохранение тепла рук, правильная организация рабочих процессов.

Значения уровня шума

Значение уровня звукового давления (L_{pA})	98,5 дБ(А)
Погрешность уровня звукового давления (K_{pA})	3 дБ(А)
Уровень звуковой мощности (L_{wA})	109,5 дБ(А)
Погрешность уровня звуковой мощности (K_{wA})	3 дБ(А)

Общие значения вибрации

Значение вибрации при затяжке винтов/болтов и гаек максимально допустимого размера (a_h)	7 м/с ²
Коэффициент погрешности (К)	1,5 м/с ²

5 Подготовка к работе

5.1 Зарядка аккумулятора

1. Перед зарядкой изучите руководство по эксплуатации зарядного устройства.
2. Убедитесь в том, что контакты аккумулятора и зарядного устройства чистые и сухие.
3. Заряжайте аккумулятор только в допущенном к эксплуатации зарядном устройстве.

5.2 Установка аккумулятора

ОСТОРОЖНО

Опасность травмирования вследствие короткого замыкания или падения аккумулятора!

- ▶ Перед установкой аккумулятора убедитесь в чистоте его контактов и контактов инструмента.
- ▶ Всегда проверяйте, правильно ли зафиксирован аккумулятор.

1. Перед первым вводом в эксплуатацию полностью зарядите аккумулятор.
2. Установите и зафиксируйте аккумулятор в креплении на электроинструменте (при правильной фиксации слышен характерный щелчок).
3. Проверьте надежность фиксации аккумулятора.

5.3 Извлечение аккумулятора

1. Нажмите кнопки деблокировки аккумулятора.
2. Извлеките аккумулятор из крепления на электроинструменте.

5.4 Монтаж зажимной втулки (рабочего инструмента)

ОСТОРОЖНО

Опасность травмирования вследствие неподходящего инструмента!

- ▶ Используйте только те рабочие инструменты, которые надежно фиксируются.
- ▶ Не используйте изношенные или поврежденные рабочие инструменты.

ОСТОРОЖНО

Опасность травмирования вследствие изношенного или поврежденного предохранительного элемента

- ▶ Не используйте изношенное или поврежденное предохранительное кольцо.

1. Установите переключатель правого/левого вращения в среднее положение или отсоедините аккумулятор от электроинструмента.



- Установите зажимную втулку на четырехгранник привода электроинструмента.



Центрируйте зажимную втулку таким образом, чтобы отверстие в креплении втулки совпадало с отверстием в приводном четырехграннике.

- Если нижеследующее условие выполнено, дополнительно выполните это действие:

условия: При использовании кольца круглого сечения и предохранительного штифта.

- Извлеките кольцо круглого сечения из канавки в зажимной втулке. Вставьте предохранительный штифт в отверстие зажимной втулки и приводного четырехгранника. Затем установите кольцо круглого сечения обратно в канавку зажимной втулки.

- Если нижеследующее условие выполнено, дополнительно выполните это действие:

условия: При использовании предохранительного кольца:

- Вставьте предохранительное кольцо в зажимную втулку.

5.5 Демонтаж зажимной втулки (рабочего инструмента)

- Установите переключатель правого/левого вращения в среднее положение или отсоедините аккумулятор от электроинструмента.
- Извлеките предохранительное кольцо или кольцо круглого сечения вместе с предохранительным штифтом из зажимной втулки.
- Снимите зажимную втулку с четырехгранника привода электроинструмента.

5.6 Установка крепежного крючка (опция)

ПРЕДУПРЕЖДЕНИЕ

Опасность травмирования Опасность вследствие падения электроинструмента.

- Падение электроинструмента может стать причиной вашего травмирования и травмирования окружающих. Перед началом работы убедитесь в том, что крепежный крючок надежно закреплен.



С помощью крепежного крючка электроинструмент можно закрепить и носить при себе на ремне. Крепежный крючок можно установить как слева, так и справа.

- Извлеките аккумулятор. → страница 99
- Вставьте крепежный крючок в предназначенный для него проем в основании электроинструмента.
- Закрепите крепежный крючок с помощью двух винтов.

5.7 Монтаж защиты Hilti от случайного срабатывания при падении электроинструмента (опция)

ВНИМАНИЕ

Повреждение электроинструмента и/или удерживающего троса. Вследствие неправильного обращения возможно повреждение электроинструмента и/или удерживающего троса.

- Не используйте металлические цепи в качестве удерживающего троса. Не используйте удерживающие тросы длиной более 2,0 м (6 ft).



Во избежание повреждений при выполнении работ на достаточно большой высоте рекомендуется использовать защиту **Hilti** от случайного срабатывания при падении электроинструмента.

Защита от случайного срабатывания при падении электроинструмента позволяет закреплять удерживающие тросы/ленты.

Строго соблюдайте национальные директивы по выполнению работ на достаточно большой высоте при использовании данного электроинструмента.

- Извлеките аккумулятор. → страница 99
- Вставьте оба язычка защиты от случайного срабатывания при падении электроинструмента в шлицы, расположенные с обеих сторон основания электроинструмента.
- Закрепите защиту от случайного срабатывания при падении электроинструмента с помощью предназначенных для этого винтов.
- Вставьте аккумулятор. → страница 99



6 Выполнение работ

6.1 Регулировка правого/левого вращения

Среднее положение переключателя правого/левого вращения = позиция блокировки включения.

- ▶ Установите переключатель правого/левого вращения в положение правого или левого вращения.

6.2 Включение

- ▶ Нажмите выключатель.
 - ↳ Частота вращения регулируется соразмерным нажатием на выключатель.

Не допускайте перегрузки электроинструмента. В случае сильного нагрева дайте электроинструменту остыть в течение нескольких минут.

6.3 Выключение

- ▶ Отпустите выключатель.

7 Уход и техническое обслуживание

ПРЕДУПРЕЖДЕНИЕ

Опасность травмирования при установленном аккумуляторе !

- ▶ Перед проведением любых работ по уходу и обслуживанию всегда извлекайте аккумулятор!

Уход за электроинструментом

- Осторожно удаляйте налипшую грязь.
- Осторожно очищайте вентиляционные прорези сухой щеткой.
- Очищайте корпус только с использованием слегка увлажненной ткани. Не используйте средства по уходу с содержанием силикона, так как они могут повредить пластмассовые детали.

Уход за литий-ионными аккумуляторами

- Аккумулятор должен быть чистым, без следов масла и смазки.
- Очищайте корпус только с помощью слегка увлажненной ткани. Не используйте средства по уходу с содержанием силикона, так как они могут повредить пластмассовые детали.
- Не допускайте попадания влаги внутрь инструмента.

Техническое обслуживание

- Регулярно проверяйте все видимые части электроинструмента на отсутствие повреждений, а элементы управления — на исправное функционирование.
- При повреждениях и/или функциональных сбоях не используйте электроинструмент. Сразу сдавайте его в сервисный центр **Hilti** для ремонта.
- После ухода за электроинструментом и его технического обслуживания установите все защитные приспособления на место и проверьте их исправное функционирование.

Для обеспечения безопасной эксплуатации используйте только оригинальные запасные части и расходные материалы. Допущенные нами запасные части, расходные материалы и принадлежности для данного устройства вы можете найти в **Hilti Store** или на сайте **www.hilti.group**.

8 Транспортировка и хранение аккумуляторных электроинструментов

Транспортировка

ОСТОРОЖНО

Непреднамеренное включение в ходе транспортировки !

- ▶ При транспортировке своих электроинструментов всегда отсоединяйте от них аккумуляторы!
- ▶ Извлеките аккумуляторы.
- ▶ Категорически запрещается транспортировать аккумуляторы без упаковки (бестарным способом).



- ▶ После продолжительной транспортировки проверяйте электроинструмент и аккумуляторы перед использованием на отсутствие повреждений.

Хранение

ОСТОРОЖНО

Непреднамеренное повреждение вследствие неисправных или протекающих аккумуляторов !

- ▶ При хранении своих электроинструментов всегда отсоединяйте от них аккумуляторы!
- ▶ По возможности храните электроинструмент и аккумуляторы в сухом и прохладном месте.
- ▶ Никогда не оставляйте аккумуляторы на солнце, на нагревательных/отопительных элементах или за стеклом.
- ▶ Храните электроинструмент и аккумуляторы в сухом виде в недоступном для детей и других лиц, не допущенных к работе с электроинструментом, месте.
- ▶ После длительного хранения перед использованием проверяйте электроинструмент и аккумуляторы на отсутствие повреждений.

9 Помощь при неисправностях

В случае неисправностей, которые не указаны в этой таблице или которые вы не можете устранить самостоятельно, обращайтесь в ближайший сервисный центр **Hilti**.

9.1 Помощь при неисправностях

В случае неисправностей, которые не указаны в этой таблице или которые вы не можете устранить самостоятельно, обращайтесь в ближайший сервисный центр **Hilti**.

Неисправность	Возможная причина	Решение
Электроинструмент не включается.	Мигает один светодиод: аккумулятор разряжен.	▶ Извлеките и зарядите аккумулятор.
	Аккумулятор неправильно установлен.	▶ Аккумулятор должен зафиксироваться с характерным щелчком. Извлеките аккумулятор и установите его снова.
	Мигает один светодиод: аккумуляторный блок слишком горячий/слишком холодный.	▶ Охладите/нагрейте аккумулятор до рабочей температуры.
	Мигают четыре светодиода: кратковременная перегрузка электроинструмента.	▶ Отпустите выключатель и нажмите его снова.
Выключатель не нажимается.	Переключатель правого/левого вращения находится в среднем положении.	▶ Переведите переключатель правого/левого вращения в правое или левое положение.
Резко падает частота вращения.	Аккумулятор разряжен.	▶ Извлеките и зарядите аккумулятор.
Аккумулятор не фиксируется с характерным щелчком.	Грязь на фиксирующих выступах аккумулятора	▶ Очистите фиксирующие выступы.
Аккумулятор разряжается быстрее, чем обычно.	Очень низкая температура окружающей среды	▶ Обеспечьте постепенный нагрев аккумулятора до комнатной температуры.

10 Утилизация

Большинство материалов, из которых изготовлены изделия **Hilti**, подлежит вторичной переработке. Перед утилизацией следует тщательно рассортировать материалы (для удобства их последующей переработки). Во многих странах фирма **Hilti** уже организовала прием бывших в использовании электрических и электронных устройств для утилизации. Дополнительную информацию по этому вопросу можно получить в отделе по обслуживанию клиентов или у консультантов по продажам фирмы **Hilti**.



Утилизация аккумуляторов

Вследствие выхода газов или жидкостей при неправильной утилизации аккумуляторов возможна угроза для здоровья.

- ▶ Не пересылайте поврежденные аккумуляторы!
- ▶ Закрывайте аккумуляторные контакты не проводящим ток материалом, чтобы избежать коротких замыканий.
- ▶ Утилизируйте аккумуляторы так, чтобы исключить их попадание в руки детей.
- ▶ Утилизируйте аккумулятор через ближайший **Hilti Store** или обратитесь в специализированную фирму по утилизации.



- ▶ Не выбрасывайте электрические инструменты, электронные устройства/приборы и аккумуляторы вместе с обычным мусором!

11 RoHS (Директива об ограничении применения опасных веществ)

По этой ссылке доступна таблица опасных веществ: qr.hilti.com/r4838535.

Ссылку в виде QR-кода на таблицу опасных веществ согласно директиве RoHS см. в конце этого документа.

12 Гарантия производителя

- ▶ С вопросами относительно гарантийных условий обращайтесь в ближайшее представительство **Hilti**.



1 Інформація про документацію

1.1 Інформація про цей документ

- Перш ніж розпочинати роботу з інструментом, прочитайте цей документ. Це є передумовою безпечної роботи та відсутності несправностей під час застосування інструмента.
- Дотримуйтеся попереджувальних вказівок та вказівок з техніки безпеки, наведених у цьому документі та на корпусі інструмента.
- Завжди зберігайте інструкцію з експлуатації поблизу інструмента та передавайте інструмент іншим особам лише разом з інструкцією.

1.2 Пояснення символів

1.2.1 Попереджувальні вказівки

Попереджувальні вказівки інформують користувача про фактори небезпеки, пов'язані із застосуванням інструмента. Використовуються такі сигнальні слова:



НЕБЕЗПЕКА

НЕБЕЗПЕКА !

- ▶ Указує на безпосередню небезпеку, що може призвести до отримання тяжких тілесних ушкоджень або навіть до смерті.



ПОПЕРЕДЖЕННЯ

ПОПЕРЕДЖЕННЯ !

- ▶ Указує на потенційно небезпечну ситуацію, яка може призвести до отримання тяжких тілесних ушкоджень або навіть смерті.



ОБЕРЕЖНО

ОБЕРЕЖНО !

- ▶ Указує на потенційно небезпечну ситуацію, яка може призвести до отримання легких тілесних ушкоджень та до матеріальних збитків.

1.2.2 Символи у документі

У цьому документі використовуються такі символи:



Перед використанням прочитайте інструкцію з експлуатації



Указівки щодо експлуатації та інша корисна інформація



Поводження з матеріалами, придатними для вторинної переробки



Не викидайте електроінструменти і акумуляторні батареї у баки для побутового сміття

1.2.3 Символи на ілюстраціях

На ілюстраціях використовуються такі символи:

2

Цифрами позначаються відповідні ілюстрації, наведені на початку цієї інструкції

3

Нумерація відображає послідовність робочих кроків на ілюстраціях та може відрізнятися від нумерації у тексті

11

Номера позицій, наведені на **оглядовій ілюстрації**, відповідають номерам у легенді, що представлена у розділі «**Огляд продукту**»



Цей символ позначає аспекти, на які слід звернути особливу увагу під час застосування інструмента.



1.3 Символи, що обумовлені типом інструмента

1.3.1 Символи на інструменті

На інструменті можуть бути наведені такі символи:

	Бездротова передача даних
	Використовуваний тип літій-іонної акумуляторної батареї Hilti. Дотримуйтеся вказівок, наведених у розділі «Використання за призначенням».
	Клас захисту IP (подвійна ізоляція)
n_0	Номінальна частота обертання під час холостого ходу
/min	Кількість обертів на хвилину

1.4 Інформація про інструмент

Інструменти призначені для професійного використання, а тому їхню експлуатацію, технічне обслуговування та ремонт слід доручати лише авторизованому персоналу зі спеціальною підготовкою. Цей персонал повинен бути спеціально проінструктований про можливі ризики. Інструмент та допоміжне приладдя можуть стати джерелом небезпеки у разі їхнього неправильного застосування некваліфікованим персоналом або у разі використання не за призначенням.

Тип та серійний номер зазначені на заводській табличці.

- ▶ Перелишіть серійний номер у наведену нижче таблицю. При оформленні запитів до нашого представництва та до сервісної служби вказуйте інформацію про інструмент.

Інформація про інструмент

Акумуляторний ударний шурупокрут	SIW 9-A22
Версія:	01
Серійний номер:	

1.5 Сертифікат відповідності

Зі всією належною відповідальністю заявляємо, що описаний у цьому документі інструмент відповідає діючим директивам і стандартам. Копія сертифіката відповідності наведена у кінці цього документа. Технічна документація зазначена нижче:

Hilti Entwicklungsgesellschaft mbH | Zulassung Geräte | Hiltistraße 6 | 86916 Kaufering, DE

2 Безпека

2.1 Загальні вказівки з техніки безпеки при роботі з електроінструментами

⚠ ПОПЕРЕДЖЕННЯ! Уважно прочитайте усі вказівки та інструкції з техніки безпеки, ознайомтеся з малюнками та технічними даними цього електроінструмента. Щонайменше недотримання наведених нижче вказівок може призвести до ураження електричним струмом, займання та/або отримання тяжких травм.

Збережіть всі інструкції та вказівки з техніки безпеки – вони можуть знадобитися Вам у майбутньому.

Термін «електроінструмент», який використовується у вказівках з техніки безпеки, позначає як електроінструменти, що працюють від електричної мережі (із кабелем живлення), так і електроінструменти, що працюють від акумуляторної батареї (без кабелю живлення).

Безпека на робочому місці

- ▶ **Дбайте про чистоту та достатнє освітлення робочого місця.** Безлад на робочому місці та недостатнє освітлення можуть стати причиною нещасних випадків.
- ▶ **Не працюйте з електроінструментом у вибухонебезпечному середовищі, що містить легкозаймисті рідини, газу або пил.** Під час роботи електроінструментів утворюються іскри, від яких можуть зайнятися легкозаймисті випари або пил.
- ▶ **Подбайте про те, щоб під час використання електроінструмента поблизу не було дітей та сторонніх осіб.** Щонайменше відволікання може призвести до втрати контролю над інструментом.



2113750

Українська

105

Електрична безпека

- ▶ Штепсельна вилка електроінструмента повинна підходити до розетки живлення. Забороняється вносити зміни до конструкції штепсельної вилки. Не дозволяється застосовувати перекідані штепсельні вилки в електроінструментах із захисним заземленням. У разі використання оригінальних штепсельних вилок і відповідних розеток знижується ризик ураження електричним струмом.
- ▶ Під час роботи намагайтеся не торкатися заземлених поверхонь, наприклад труб, радіаторів опалення, печей та холодильників. Якщо Ваше тіло перебуває в контакт з системою заземлення, існує підвищений ризик ураження електричним струмом.
- ▶ Захищайте електроінструменти від дощу та вологи. У разі проникнення води в електроінструмент підвищується ризик ураження електричним струмом.
- ▶ Використовуйте з'єднувальний кабель тільки за призначенням, не переносьте за нього електроінструмент, не користуйтеся ним для підвішування інструмента та не тримайтеся за нього, дістаючи штепсельну вилку з розетки. Оберігайте з'єднувальний кабель від впливу високих температур, від дії мастил та контакту з гострими кромками або рухомими частинами інструмента. Пошкоджені або заплутані з'єднувальні кабелі підвищують ризик ураження електричним струмом.
- ▶ Працюючи з електроінструментом під відкритим небом, використовуйте лише подовжувальний кабель, придатний для зовнішнього застосування. Використання подовжувального кабелю, призначеного для зовнішнього застосування, зменшує ризик ураження електричним струмом.
- ▶ Якщо неможливо уникнути експлуатації електроінструмента за умов підвищеної вологості, використовуйте автомат захисту від струму витоку. Використання автомата захисту від струму витоку зменшує ризик ураження електричним струмом.

Безпека персоналу

- ▶ Будьте уважними, зосередьтеся на виконуваній операції, до роботи з електроінструментом ставтеся серйозно. Не користуйтеся електроінструментом, якщо Ви втомилися або перебуваєте під дією наркотичних речовин, алкоголю або лікарських засобів. Під час роботи з електроінструментом не відволікайтеся ні на мить, оскільки це може призвести до отримання серйозних травм.
- ▶ Використовуйте засоби індивідуального захисту і завжди надягайте захисні окуляри. Використання засобів індивідуального захисту, наприклад респіратор, захисного взуття на нековзній підшві, захисного шолома або шумозахисних навушників – залежно від різновиду електроінструмента та особливостей його застосування – зменшує ризик травмування.
- ▶ Уникайте випадкового вмикання електроінструмента. Переконайтеся в тому, що електроінструмент вимкнений, перш ніж вставляти штепсельну вилку в розетку живлення та/або приєднувати акумулятор, піднімати електроінструмент або переносити його. Якщо під час перенесення електроінструмента тримати палець на вимикачі або приєднувати інструмент до джерела живлення увімкненим, це може призвести до нещасного випадку.
- ▶ Перш ніж вмикати електроінструмент, від'єднайте від нього все налагоджувальне приладдя або гайкові ключі. Приладдя або ключ, що знаходяться в обертовому вузлі інструмента, можуть стати причиною отримання травм.
- ▶ Уникайте виконання роботи в незручній позі. Під час виконання робіт ставайте в стійку позу і намагайтеся повсякчас утримувати рівновагу. Це дозволить Вам більш упевнено контролювати електроінструмент у разі виникнення несподіваних обставин.
- ▶ Надягайте відповідний робочий одяг. Не надягайте для роботи занадто просторий одяг та прикраси. Слідкуйте за тим, щоб волосся, одяг та робочі рукавиці знаходилися подальше від обертових частин інструмента. Просторий одяг, прикраси або довге волосся можуть бути захоплені рухомими частинами інструмента.
- ▶ Якщо передбачена можливість установлення системи пиловидалення та пилозбірників, обов'язково переконайтеся в тому, що вони правильно приєднані й використовуються належним чином. Застосування системи видалення пилу дозволяє зменшити негативний вплив пилу на персонал.
- ▶ Не можна нехтувати правилами безпеки під час роботи з електроінструментами навіть у тому випадку, коли Ви добре знайомі з тим чи іншим електроінструментом. Якщо користуватися інструментом необережно, лише малої частки секунди може бути достатньо для отримання тяжких травм.

Використання електроінструмента та належний догляд за ним

- ▶ Не допускайте перенавантаження інструмента. Завжди використовуйте електроінструмент, призначений для виконання відповідної роботи. При використанні належного електроінструмента забезпечуються більш висока якість та безпека виконання робіт у вказаному діапазоні продуктивності.



- ▶ **Не використовуйте електроінструмент із пошкодженим вимикачем.** Електроінструмент, який неможливо вмикати або вимикати, є небезпечним і підлягає ремонту.
- ▶ **Перш ніж розпочинати налаштування інструмента, виконувати заміну приладдя або робити перерву в роботі, не забудьте вийняти штепсельну вилку з розетки та/або вийняти з інструмента змінну акумуляторну батарею.** Такий запобіжний захід допоможе уникнути випадкового вмикання електроінструмента.
- ▶ **Електроінструменти, що не використовуються, зберігайте в недоступному для дітей місці. Не дозволяйте користуватися інструментом особам, які не ознайомлені з ним або не прочитали ці вказівки.** У руках недосвідчених людей електроінструменти являють собою серйозну небезпеку.
- ▶ **Електроінструменти та їх приладдя потребують дбайливого догляду. Ретельно перевіряйте, чи бездоганно працюють та чи не заклинюють рухомі частини, чи не зламалися або не зазнали інших пошкоджень деталі, від яких залежить справна робота електроінструмента. Перед початком роботи з інструментом пошкоджені деталі слід відремонтувати.** Багатьох нещасних випадків можна уникнути за умови належного технічного обслуговування електроінструментів.
- ▶ **Слідкуйте за тим, щоб ріжучі інструменти завжди залишались чистими та належним чином заточеними.** Дбайливо доглянутий ріжучий інструмент із гострими різальними кромками не так часто заклинюється, і з ним легше працювати.
- ▶ **Під час експлуатації електроінструмента, приладдя до нього, робочих інструментів тощо дотримуйтеся наведених у цьому документі вказівок. При цьому завжди враховуйте умови в місці виконання робіт та дії, яких вимагає поставлене завдання.** Використання електроінструментів не за призначенням може призвести до виникнення небезпечних ситуацій.
- ▶ **Слідкуйте за тим, щоб поверхні рукояток були чистими та сухими, та не допускайте їхнього забруднення мастилом.** Якщо поверхні рукояток слизькі, це унеможливіло впевнене контролювання електроінструмента у непередбачених ситуаціях.

Використання акумуляторного інструмента та належний догляд за ним

- ▶ **Для заряджання акумуляторних батарей застосовуйте лише зарядні пристрої, рекомендовані виробником.** Зарядний пристрій, придатний для заряджання акумуляторних батарей певного типу, може спричинити пожежу, якщо його застосовувати для заряджання акумуляторних батарей інших типів.
- ▶ **Для живлення електроінструментів застосовуйте лише спеціально призначені для цього акумуляторні батареї.** Застосування інших акумуляторних батарей може призвести до отримання травм і виникнення пожежі.
- ▶ **Акумуляторну батарею, яка не використовується, тримайте подалі від канцелярських скріпок, монет, ключів, цвяхів, гвинтів та інших дрібних металевих предметів, які могли б спричинити коротке замикання її контактів.** Коротке замикання контактів акумуляторної батареї може призвести до отримання опіків або до виникнення пожежі.
- ▶ **У разі неправильного застосування з акумуляторної батареї може пролитися рідина. Уникайте контакту з нею. У разі випадкового контакту цієї рідини зі шкірою негайно промийте уражене місце достатньою кількістю води. Якщо рідина потрапила в очі, рекомендується додатково звернутися по лікарську допомогу.** Пролита з акумуляторної батареї рідина може призвести до подразнення шкіри або отримання опіків.
- ▶ **Не використовуйте акумуляторну батарею, якщо вона пошкоджена або якщо її конструкція була змінена.** Пошкоджені або модифіковані акумуляторні батареї вкрай ненадійні та становлять небезпеку пожежі, вибуху або травмивання.
- ▶ **Не піддавайте акумуляторну батарею впливу вогню або високих температур.** Вогонь або температури понад 130 °C (265 °F) можуть спричинити вибух.
- ▶ **Дотримуйтеся вказівок щодо заряджання. Ніколи не заряджайте акумуляторну батарею або акумуляторний інструмент в умовах, що виходять за межі температурного діапазону, зазначеного в інструкції з експлуатації.** Неналежне заряджання або заряджання за межами зазначеного температурного діапазону може призвести до руйнування акумуляторної батареї та підвищує ризик займання.

Сервісне обслуговування

- ▶ **Доручайте ремонт електроінструмента лише кваліфікованому персоналу зі спеціальною підготовкою за умови використання тільки оригінальних запасних частин.** Це забезпечить функціональність інструмента.
- ▶ **Забороняється здійснювати технічне обслуговування пошкоджених акумуляторних батарей. У будь-яких випадках технічне обслуговування акумуляторних батарей повинен здійснювати виробник або уповноважена служба технічного обслуговування.**



2.2 Додаткові вказівки з техніки безпеки, що мають застосовуватися під час використання шурупокрута

Безпека персоналу

- ▶ Користуйтеся лише повністю справним інструментом.
- ▶ Вносити будь-які зміни до конструкції інструмента заборонено.
- ▶ Використовуйте додаткові рукоятки, що входять до комплекту постачання інструмента. Адже втрата контролю над інструментом може стати причиною травмування.
- ▶ Завжди міцно тримайте інструмент обома руками за передбачені для цього рукоятки. Слідкуйте за тим, щоб рукоятки були сухими та чистими.
- ▶ Якщо під час виконання робіт змінний робочий інструмент може натрапити на приховану електропроводку, утримуйте інструмент за ізольовані поверхні рукояток. У разі контакту з електричним дротом, який знаходиться під напругою, металеві деталі інструмента також потраплять під напругу, а це може призвести до ураження електричним струмом.
- ▶ Уникайте контакту з деталями інструмента, що обертаються. Існує ризик отримання травм!
- ▶ Під час роботи з інструментом використовуйте захисні окуляри, шолом, навушники, робочі рукавиці та легкий респіратор.
- ▶ Користуйтеся захисними рукавицями також під час заміни змінного робочого інструмента. Контакт із робочим інструментом може призвести до отримання порізів або опіків.
- ▶ Використовуйте захисні окуляри. Уламки матеріалу можуть завдати поранення або пошкодити очі.
- ▶ Перш ніж розпочинати роботу, з'ясуйте клас небезпеки пилу, що при цьому буде утворюватися. Використовуйте будівельний пилосос затвердженного класу захисту, що відповідає місцевим вимогам щодо захисту від пилу. Пил, що містить у собі такі матеріали, як фарби на основі свинцю, тирсу деяких порід деревини, бетон, цеглу, кварцові гірські породи і мінерали, а також метал, може бути шкідливим для здоров'я.
- ▶ Подбайте про належну вентиляцію робочого місця та користуйтеся респіратором, який підходить до матеріалу, що обробляється. У разі контакту з таким пилом або при його вдиханні у користувача електроінструмента та у людей, що знаходяться поруч, можуть виникнути алергійні реакції та/або захворювання дихальних шляхів. Деякі різновиди пилу, наприклад деревини дуба і бука, вважаються канцерогенними, особливо у поєднанні з речовинами для обробки деревини (хроматом, засобами для захисту деревини). До обробки матеріалів, що містять азбест, допускаються лише фахівці зі спеціальною підготовкою.
- ▶ Працюйте з перервами та виконуйте вправи на розминання пальців, щоб покращити кровообіг у них. Під час довготривалих робіт вібрація може пошкодити судини або нерви у пальцях, руках або зап'ясткових суглобах.

Електрична безпека

- ▶ Перед початком роботи перевіряйте робоче місце на наявність прихованих електричних кабелів, газових та водопровідних труб. Якщо Ви під час роботи випадково пошкодите електричні кабелі, контакт з відкритими металевими деталями інструмента може спричинити ураження електричним струмом.

Належне використання електроінструментів та дбайливий догляд за ними

- ▶ Якщо сталося блокування змінного робочого інструмента, негайно вимкніть інструмент. Інструмент може відхилитися вбік.
- ▶ Зачекайте, доки змінний робочий інструмент повністю зупиниться, перш ніж знімати його з оброблюваного об'єкту.

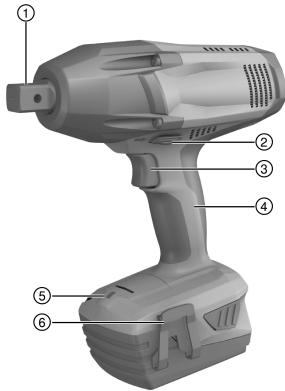
2.3 Застосування акумуляторних батарей та дбайливий догляд за ними

- ▶ Дотримуйтеся також особливих указівок щодо транспортування, складського зберігання та застосування літій-іонних акумуляторних батарей.
- ▶ Не піддавайте акумуляторні батареї впливу високих температур, прямих сонячних променів та відкритого вогню.
- ▶ Акумуляторні батареї забороняється розбирати, роздавлювати, нагрівати до температури понад 80 °C або спалювати.
- ▶ Не використовуйте та не заряджайте акумуляторні батареї, які зазнали впливу ударного навантаження, впали з висоти більше одного метра або були пошкоджені іншим чином. У разі виникнення такої ситуації завжди звертайтеся до **сервісної служби** компанії **Hilti**.
- ▶ Якщо акумуляторна батарея гаряча на дотик, вона може бути пошкоджена. Залиште інструмент у захищеному від вогню місці на достатній відстані від горючих матеріалів, де за ним можна спостерігати, і дайте йому охолонути. У разі виникнення такої ситуації завжди звертайтеся до **сервісної служби** компанії **Hilti**.



3 Опис

3.1 Огляд продукту



- ① Зовнішній чотиригранник 3/4" з наскрізним отвором
- ② Перемикач напрямку обертання за годинниковою стрілкою/проти годинникової стрілки з блокуванням від увімкнення
- ③ Вимикач
- ④ Рукоятка
- ⑤ Освітлення робочої зони
- ⑥ Поясний гачок (опція)
- ⑦ Акумуляторна батарея
- ⑧ Індикатор стану заряду та несправності (літій-іонна акумуляторна батарея)
- ⑨ Деблокувальна кнопка із додатковою функцією активації індикатора стану заряду акумуляторної батареї

3.2 Використання за призначенням

Описаний у цьому документі інструмент являє собою ручний акумуляторний ударний шурупокрут. Він призначений для загвинчування та розгвинчування гайок, болтів, дюбелів та шурупів. Кріплення змінного робочого інструмента у затискному патроні відбувається за допомогою зовнішнього чотиригранника із наскрізним отвором.

Ударний шурупокрут можна використовувати тільки в тому випадку, якщо робота не вимагає встановлення точного/особливого обертового моменту. Інакше існує небезпека зривання різьби, пошкодження гвинта або оброблюваного об'єкта.

- ▶ Застосовуйте із цим інструментом лише літій-іонні акумуляторні батареї **Hilti** типу B 22.
- ▶ Для заряджання цих акумуляторних батарей використовуйте тільки зарядні пристрої **Hilti** типу C4/36.

3.3 Комплект постачання

Ударний шурупокрут, інструкція з експлуатації.



Щоб гарантувати належну роботу інструмента, використовуйте тільки оригінальні запасні частини та видаткові матеріали. Рекомендовані запасні частини, видаткові матеріали та приладдя для Вашого інструмента Ви можете придбати у найближчому магазині **Hilti Store** або на веб-сайті www.hilti.group | США: www.hilti.com

3.4 Індикатор літій-іонної акумуляторної батареї

Стан заряду літій-іонної акумуляторної батареї та несправності інструмента позначаються за допомогою індикатора літій-іонної акумуляторної батареї. Щоб відобразити стан заряду літій-іонної акумуляторної батареї, слід злегка натиснути на одну з деблокувальних кнопок акумуляторної батареї.



2113750

Українська 109

Стан	Значення
4 світлодіоди горять.	Стан заряду: від 75 % до 100 %
3 світлодіоди горять.	Стан заряду: від 50 % до 75 %
2 світлодіоди горять.	Стан заряду: від 25 % до 50 %
1 світлодіод горить.	Стан заряду: від 10 % до 25 %
1 світлодіод мигає, інструмент готовий до роботи.	Стан заряду: < 10 %
1 світлодіод мигає, інструмент не готовий до роботи.	Акумуляторна батарея перегрілася.
4 світлодіоди мигають, інструмент не готовий до роботи.	Інструмент перенавантажений або перегрітий.

i При натиснутому вимикачі та протягом 5 секунд після його відпускання перевірка стану заряду неможлива. Якщо світлодіодні індикатори акумуляторної батареї мигають, будь ласка, виконайте вказівки, наведені в розділі «Допомога у разі виникнення несправностей».

4 Технічні дані

4.1 Ударний шурупокрут

Номінальна напруга	21,6 В _{пост. стр.}
Маса згідно з процедурою ЕРТА 01	3,6 кг
Номінальна частота обертання на холостому ході	1 400 об/хв
Частота ударів	2 200 удар/хв
Температура навколишнього середовища під час роботи	-17 °C ... 60 °C
Температура зберігання	-20 °C ... 70 °C

4.2 Акумуляторна батарея

Робоча напруга акумуляторної батареї	21,6 В
Температура навколишнього середовища під час роботи	-17 °C ... 60 °C
Температура зберігання	-20 °C ... 40 °C
Температура акумуляторної батареї на початку процесу заряджання	-10 °C ... 45 °C

4.3 Дані про шум та значення вібрації, виміряні згідно зі стандартом EN 60745

Наведені у цих рекомендаціях значення звукового тиску та вібрації були виміряні згідно з установленою процедурою вимірювання та можуть використовуватися для порівняння електроінструментів. Вони також придатні для попереднього оцінювання шумового та вібраційного навантаження. Наведені дані обумовлюють переважні сфери застосування електроінструмента. Однак якщо Ви використовуєте його не за призначенням, застосовуєте нестандартне приладдя або неналежним чином здійснюєте догляд за інструментом, ці дані можуть відрізнятись від вказаних значень. Це може призвести до помітного збільшення шумового та вібраційного навантаження протягом усього робочого часу. Для більш точної оцінки шумового та вібраційного навантаження необхідно врахувати також проміжки часу, протягом яких інструмент залишається вимкненим або працює на холостому ході. Це може значно зменшити вібраційне та шумове навантаження протягом усього робочого часу. Необхідно також вживати додаткових заходів безпеки з метою захисту працівників від дії шуму та/або вібрації, зокрема: проводити своєчасне технічне обслуговування електроінструмента та змінних робочих інструментів до нього, утримувати руки у теплі, належним чином організувати робочий процес.

Рівень шуму

Рівень звукового тиску (L_{pA})	98,5 дБ(A)
Похибка для рівня звукового тиску (K_{pA})	3 дБ(A)
Рівень шумової потужності (L_{WA})	109,5 дБ(A)
Похибка для рівня шумової потужності (K_{WA})	3 дБ(A)



Сумарне значення вібрації

Рівень вібрації під час загвинчування гвинтів та гайок максимально припустимого розміру (a_n)	7 м/с ²
Похибка (K)	1,5 м/с ²

5 Підготовка до роботи

5.1 Заряджання акумуляторної батареї

1. Перед заряджанням акумуляторної батареї прочитайте інструкцію з експлуатації зарядного пристрою.
2. Контакти акумуляторної батареї та зарядного пристрою повинні бути чистими та сухими.
3. Заряджайте акумуляторну батарею тільки за допомогою тих зарядних пристроїв, які допущені до застосування з нею.

5.2 Установлення акумуляторної батареї

ОБЕРЕЖНО

Ризик отримання травм внаслідок короткого замикання або падіння акумуляторної батареї!

- ▶ Перш ніж установлювати акумуляторну батарею, переконайтеся, що на контактах батареї та інструмента немає сторонніх предметів.
 - ▶ Завжди перевіряйте, щоб акумуляторна батарея була правильно зафіксована.
1. Перед першим використанням акумуляторну батарею слід повністю зарядити.
 2. Уставте акумуляторну батарею у тримач на інструменті таким чином, щоб вона зафіксувалася із чітким характерним звуком.
 3. Переконайтеся, що акумуляторна батарея надійно зафіксована в інструменті.

5.3 Виймання акумуляторної батареї

1. Натисніть на деблокувальні кнопки акумуляторної батареї.
2. Дістаньте акумуляторну батарею із тримача на інструменті.

5.4 Установлення затискної втулки (змінного робочого інструмента)

ОБЕРЕЖНО

Небезпека отримання травм через використання неналежного змінного робочого інструмента!

- ▶ Використовуйте тільки ті змінні робочі інструменти, що оснащені фіксаторами.
- ▶ Не використовуйте зношені або пошкоджені змінні робочі інструменти.

ОБЕРЕЖНО

Небезпека отримання травм через зношення або пошкодження запобіжного кільця

- ▶ Не використовуйте зношене або пошкоджене запобіжне кільце.

1. Переведіть перемикач напрямку обертання за годинниковою стрілкою/проти годинникової стрілки в середнє положення або від'єднайте акумуляторну батарею від інструмента.
2. Установіть затискну втулку на приводний чотиригранник інструмента.



Розташуйте затискну втулку таким чином, щоб отвір у кріпленні затискної втулки співпадав із отвором на приводному чотириграннику.



3. Якщо виконується наступна умова, додатково виконайте цю дію:

умови: Під час використання ущільнювального кільця і запобіжного штифта.

- ▶ Дістаньте ущільнювальне кільце з прорізу на затискній втулці. Уставте запобіжний штифт в отвір на затискній втулці та на приводному чотириграннику. Після цього знову встановіть ущільнювальне кільце у проріз на затискній втулці.

4. Якщо виконується наступна умова, додатково виконайте цю дію:

умови: Під час використання запобіжного кільця.

- ▶ Уставте запобіжне кільце у затиску втулку.

5.5 Знімання затискної втулки (змінного робочого інструмента)

1. Переведіть перемикач напряму обертання за годинниковою стрілкою/проти годинникової стрілки в середнє положення або від'єднайте акумуляторну батарею від інструмента.
2. Дістаньте із затискної втулки запобіжне кільце або ущільнювальне кільце разом із запобіжним штифтом.
3. Зніміть затиску втулку з приводного чотиригранника інструмента.

5.6 Установлення поясного гачка (опція)



ПОПЕРЕДЖЕННЯ

Небезпека отримання травм. Небезпека падіння інструмента.

- ▶ Падіння інструмента може становити небезпеку для Вас та інших осіб. Перш ніж розпочинати роботу, перевірте, чи надійно закріплений поясний гачок.



За допомогою поясного гачка інструмент можна зручно носити на поясі. Поясний гачок підходить для встановлення як з правого, так і з лівого боку.

1. Вийміть акумуляторну батарею. → стор. 111
2. Уставте поясний гачок у передбачений для нього отвір в основі інструмента.
3. Закріпіть поясний гачок двома гвинтами.

5.7 Установлення захисту від падіння Hilti (опція)



УВАГА

Пошкодження інструмента та/або утримувального троса. Внаслідок неналежного використання можливе пошкодження інструмента та/або утримувального троса.

- ▶ Не використовуйте металеві ланцюги замість утримувального троса. Не використовуйте утримувальні троси довжиною понад 2,0 м (6 ft).



Якщо інструмент використовується на висоті, то задля уникнення збитків рекомендується установлювати на нього захист від падіння **Hilti**.

Завдяки захисту від падіння Ви можете закріплювати інструмент за допомогою тросів/ременів.

Під час використання інструмента необхідно обов'язково дотримуватися місцевих указівок щодо виконання робіт на висоті.

1. Вийміть акумуляторну батарею. → стор. 111
2. Уставте дві скоби захисту від падіння у прорізи, розташовані з обох боків на ніжці інструмента.
3. Закріпіть захист від падіння передбаченими для нього гвинтами.
4. Установіть акумуляторну батарею. → стор. 111

6 Під час роботи

6.1 Налаштування обертання за годинниковою стрілкою/проти годинникової стрілки



У середньому положенні перемикач напряму обертання за годинниковою стрілкою/проти годинникової стрілки слугує в якості засобу блокування увімкнення.



- ▶ Установіть перемикач напрямку обертання за годинниковою стрілкою/проти годинникової стрілки в положення «за годинниковою стрілкою» або «проти годинникової стрілки».

6.2 Увімкнення

- ▶ Натисніть на вимикач інструмента.
 - ↳ Від сили натискання залежить частота обертання.



Не допускайте перенавантаження інструмента. Якщо інструмент сильно перегрівся, дайте йому охолонути протягом декількох хвилин.

6.3 Вимикання інструмента

- ▶ Відпустіть вимикач.

7 Догляд і технічне обслуговування



ПОПЕРЕДЖЕННЯ

Небезпека травмування під час виконання робіт на інструменті з установленою акумуляторною батареєю!

- ▶ Завжди діставайте з інструмента акумуляторну батарею, перш ніж розпочинати будь-які роботи з догляду та технічного обслуговування!

Догляд за інструментом

- Обережно видаляйте накопичення бруду.
- Обережно прочищайте вентиляційні прорізи сухою щіткою.
- Протирайте корпус вологою тканиною. Забороняється використовувати миючі засоби, що містять силікон, оскільки вони можуть пошкодити пластмасові деталі.

Догляд за літій-іонними акумуляторними батареями

- Тримайте акумуляторну батарею у чистоті, не допускайте її забруднення мастильними матеріалами.
- Протирайте корпус вологою тканиною. Забороняється використовувати миючі засоби, що містять силікон, оскільки вони можуть пошкодити пластмасові деталі.
- Уникайте потрапляння вологи всередину інструмента.

Технічне обслуговування

- Регулярно перевіряйте усі зовнішні частини на наявність пошкоджень, а органи керування інструмента – на предмет справної роботи.
- Якщо Ви виявили пошкодження та/або порушення функціональності інструмента, припиніть його використання. негайно зверніться до сервісної служби компанії **Hilti** для здійснення ремонту.
- Після проведення догляду і технічного обслуговування встановіть усі захисні пристрої та перевірте їхню роботу.



Щоб гарантувати належну роботу інструмента, використовуйте тільки оригінальні запасні частини та видаткові матеріали. Рекомендовані запасні частини, видаткові матеріали та приладдя для Вашого інструмента Ви можете придбати у найближчому магазині **Hilti Store** або на веб-сайті www.hilti.group.

8 Транспортування і зберігання акумуляторних інструментів

Транспортування



ОБЕРЕЖНО

Непередбачене увімкнення інструмента під час транспортування!

- ▶ На час транспортування завжди діставайте з інструмента акумуляторну батарею!
- ▶ Вийміть акумуляторні батареї.
- ▶ Не слід перевозити акумуляторні батареї у незапакованому вигляді.
- ▶ Перш ніж використовувати інструмент та акумуляторні батареї після дальніх перевезень, їх слід перевірити на наявність пошкоджень.



ОБЕРЕЖНО

Непередбачене пошкодження інструмента через несправність акумуляторної батареї або через виток електrolіту з акумуляторної батареї !

- ▶ На час зберігання завжди діставайте з інструмента акумуляторну батарею!
- ▶ Зберігайте інструмент та акумуляторні батареї у якомога більш прохолодному та сухому місці.
- ▶ Забороняється зберігати акумуляторні батареї на сонці, на опалювальних приладах або на підвіконні.
- ▶ Зберігайте інструмент та акумуляторні батареї у сухому місці, недоступному для дітей та сторонніх осіб.
- ▶ Перш ніж використовувати інструмент та акумуляторні батареї після довгого зберігання, їх слід перевірити на наявність пошкоджень.

9 Допомога у разі виникнення несправностей

У разі виникнення несправностей, які не зазначені у цій таблиці або які Ви не можете полагодити самостійно, зверніться до сервісної служби компанії **Hilti**.

9.1 Допомога у разі виникнення несправностей

У разі виникнення несправностей, які не зазначені у цій таблиці або які Ви не можете полагодити самостійно, зверніться до сервісної служби компанії **Hilti**.

Несправність	Можлива причина	Рішення
Інструмент не вмикається.	1 світлодіод мигає: Акумуляторна батарея розряджена.	▶ Дістаньте акумуляторну батарею та зарядіть її.
	Акумуляторна батарея установлена неналежним чином.	▶ Акумуляторна батарея повинна зафіксуватися із чітким характерним звуком. Дістаньте акумуляторну батарею, а потім уставте її знову.
	1 світлодіод мигає: Акумуляторна батарея занадто гаряча або занадто холодна.	▶ Зачекайте, доки акумуляторна батарея охолоне/нагріється до робочої температури.
	4 світлодіоди мигають: Сталося короточасне перенавантаження інструмента	▶ Відпустіть вимикач та знову натисніть на нього.
На вимикач неможливо натиснути.	Перемикач напругу обертання за годинниковою стрілкою/проти годинникової стрілки знаходиться у середньому положенні.	▶ Переведіть перемикач напругу обертання за годинниковою стрілкою/проти годинникової стрілки вправо або вліво.
Швидкість обертання значно зменшується.	Акумуляторна батарея розряджена.	▶ Дістаньте акумуляторну батарею та зарядіть її.
Акумуляторна батарея не зафіксується із чітким характерним звуком.	Фіксатори акумуляторної батареї засмічені.	▶ Прочистіть фіксатори.
Акумуляторна батарея розряджається швидше, ніж звичайно.	Занадто низька температура навколишнього середовища.	▶ Дайте акумуляторній батареї повільно прогрітися до кімнатної температури.

10 Утилізація

Більшість матеріалів, з яких виготовлено інструменти компанії **Hilti**, придатні для вторинної переробки. Передумовою для їхньої вторинної переробки є належне сортування відходів за типом матеріалу. У багатьох країнах світу компанія **Hilti** приймає старі інструменти для їхньої утилізації. Щоб отримати додаткову інформацію з цього питання, звертайтеся до сервісної служби компанії **Hilti** або до свого торгового консультанта.



Утилізація акумуляторних батарей

У разі неналежної утилізації акумуляторних батарей з них можуть виходити небезпечні для здоров'я газу або рідини.

- ▶ Пошкоджені акумуляторні батареї забороняється пересилати поштою або кур'єрською службою!
- ▶ Закрийте контакти акумуляторних батарей електронепровідним матеріалом, щоб запобігти короткому замиканню.
- ▶ Утилізуйте акумуляторні батареї таким чином, щоб вони не потрапили до рук дітей.
- ▶ Щоб утилізувати акумуляторну батарею, передайте її до найближчого магазину **Hilti Store** або зверніться до представника відповідної компанії з утилізації відходів.



- ▶ Не викидайте електроінструменти, електронні пристрої та акумуляторні батареї у баки для побутового сміття!

11 RoHS (директива КНП про обмеження використання небезпечних речовин)

Щоб переглянути таблицю з інформацією про небезпечні речовини, будь ласка, перейдіть за таким посиланням: qr.hilti.com/r4838535.

Посилання на таблицю з інформацією про речовини, включені до директиви RoHS, наведено наприкінці цього документа у вигляді QR-коду.

12 Гарантійні зобов'язання виробника

- ▶ Із питань гарантії, будь ласка, звертайтеся до Вашого місцевого партнера компанії **Hilti**.



1 Құжаттама бойынша деректер

1.1 Бұл құжаттама туралы



Импорттауыш және өндірушінің өкілетті ұйымы

- (RU) Ресей Федерациясы
"Хилти Дистрибьюшн ЛТД" АҚ, 141402, Мәскеу облысы, Химки қ., Ленинградская көш., фирм. 25
- (BY) Беларусь Республикасы
222750, Минск облысы, Дзержинский ауданы, Р-1, 18-ші км, 2 (Слободка ауылының жанында), 1-34 бөлімі
- (KZ) Қазақстан Республикасы
Қазақстан Республикасы, индекс 050011, Алматы қ., Пугачев көш., 4-үй
- (KG) Қырғыз Республикасы
"Т AND Т" ЖШҚ, 720021, Қырғызстан, Бішкек қ., Ибраимов көш., 29 А үйі
- (AM) Армения Республикасы
Эйч-Кон ЖШҚ, Армения Республикасы, Ереван қ., Бабаян көш., 10/1 үйі

Өндірілген елі: жабдықтағы белгілеу тақтайшасын қараңыз.

Өндірілген күні: жабдықтағы белгілеу тақтайшасын қараңыз.

Тиісті сертификатты мына мекенжай бойынша табуға болады: www.hilti.ru

Сақтау, тасымалдау және пайдалану шарттарына пайдалану бойынша нұсқаулықта белгіленгеннен басқа арнайы талаптар қойылмайды.

Өнімнің қызмет ету мерзімі 5 жыл.

- Іске қосу алдында осы құжаттаманы оқып шығыңыз. Бұл қауіпсіз жұмыс пен ақаусыз басқару үшін алғышарт болып табылады.
- Осы құжаттамадағы және өнімдегі қауіпсіздік және ескерту нұсқауларын орындаңыз.
- Пайдалану бойынша нұсқаулықты әрдайым өнімде сақтаңыз және оны басқа тұлғаларға тек осы нұсқаулықпен бірге тапсырыңыз.

1.2 Шартты белгілердің анықтамасы

1.2.1 Ескерту

Ескертулер өнімді қолдану барысындағы қауіптер туралы ескертеді. Төмендегі сигналдық сөздер пайдаланылады:



ҚАУІПТІ

ҚАУІПТІ !

- ▶ Ауыр жарақаттарға әкелетін немесе өмірге қауіп төндіретін тікелей қауіпті жағдайдың жалпы белгіленуі.



ЕСКЕРТУ

ЕСКЕРТУ !

- ▶ Ауыр жарақаттарға әкелуі немесе өмірге қауіп төндіруі мүмкін ықтимал қауіпті жағдайдың жалпы белгіленуі.



АБАЙЛАҢЫЗ

АБАЙЛАҢЫЗ !

- ▶ Жеңіл жарақаттарға немесе аспаптың зақымдалуына әкелуі мүмкін ықтимал қауіпті жағдайдың жалпы белгіленуі.

1.2.2 Құжаттамадағы белгілер

Бұл құжаттамада төмендегі белгілер пайдаланылады:



Пайдалану алдында пайдалану бойынша нұсқаулықты оқу қажет



	Аспапты пайдалану бойынша нұсқаулар және басқа пайдалы ақпарат
	Қайта пайдалануға болатын материалдармен жұмыс істеу
	Электр аспаптарды және аккумуляторларды тұрмыстық қоқысқа тастамаңыз

1.2.3 Суреттердегі белгілер

Суреттерде төмендегі белгілер қолданылады:

	Бұл сандар осы нұсқаулықтың басындағы әр суретке сәйкес келеді
3	Нөмірлеу суреттегі жұмыс қадамдарының реттілігін білдіреді және мәтіндегі жұмыс қадамдарынан өзгешеленуі мүмкін
	Позиция нөмірлері Шолу суретінде қолданылады және Өнімге шолу мақаласындағы шартты белгілердің нөмірлеріне сілтейді
	Аталмыш белгілер өнімді қолдану барысында айрықша назарыңызды аудартады.

1.3 Өнімге қатысты белгілер

1.3.1 Өнімдегі белгілер

Өнімде төмендегі белгілер пайдаланылуы мүмкін:

	Сымсыз дерек тасымалы
	Пайдаланылған Hilti литий-ион аккумуляторларының сериясы. Қолдану мақсаты бөліміндегі нұсқауларды орындаңыз.
	II қорғау класы (қос изоляция)
n_0	Жүктемесіз номиналды айналу жиілігі
/min	Минут ішіндегі айналымдар

1.4 Өнім туралы ақпарат

HILTI өнімдері кәсіби пайдаланушыларға арналған және оларды тек қана өкілетті, білікті қызметкерлер пайдалануы, күтім және техникалық қызмет көрсетуі тиіс. Қызметкерлер қауіпсіздік техникасы бойынша арнайы нұсқау алуы керек. Өнім мен оның қосалқы құралдарын басқа мақсатта қолдану немесе олардың оқытылмаған қызметкерлердің тарапынан пайдаланылуы қауіпті.

Түр сипаттамасы мен сериялық нөмір фирмалық тақтайшада берілген.

- ▶ Сериялық нөмірді төмендегі кестеге көшіріп қойыңыз. Өнім туралы мәліметтерді өкілдігімізге немесе қызмет көрсету бөлімімізге сұрау беру арқылы алуға болады.

Өнім туралы мәліметтер

Аккумуляторлық гайка бұрауыш	SIW 9-A22
Буын:	01
Сериялық нөмір:	

1.5 Сәйкестілік декларациясы

Біз осы нұсқаулықта сипатталған өнімнің қолданыстағы директивалар мен нормативтерге сәйкес келетінін толық жауапкершілікпен жариялаймыз. Сәйкестілік декларациясының суреті осы құжаттаманың соңында орналасқан.

Техникалық құжаттама мына жерде сақталған:

Hilti Entwicklungsgesellschaft mbH | Zulassung Geräte | Hiltistraße 6 | 86916 Kaufering, DE



2113750

2.1 Электр құралдары үшін қауіпсіздік техникасы бойынша жалпы нұсқаулар

⚠ ЕСКЕРТУ Бұл электр құралына арналған барлық қауіпсіздік нұсқауларын, нұсқауларды, суреттерді және техникалық деректерді оқып шығыңыз. Төменде берілген нұсқауларды орындамау электр тогының соғуына, өртке өкелуі мүмкін және/немесе ауыр жарақаттарды тудыруы мүмкін.

Қауіпсіздік техникасы бойынша барлық нұсқауларды және нұсқауларды келесі пайдаланушы үшін сақтаңыз.

Қауіпсіздік нұсқауларында қолданылатын «электр құралы» термині электр желісінен (желілік кабельмен) және аккумулятордан (желілік кабельсіз) жұмыс істейтін электр құралын білдіреді.

Жұмыс орны

- ▶ **Жұмыс орнындағы тазалықты және тәртіпті қадағалаңыз.** Жұмыс орнындағы ретсіздік және нашар жарық сәтсіз жағдайларға өкелуі мүмкін.
- ▶ **Жанғыш сұйықтықтар, газдар немесе шаң бар жарылыс қаупі бар аймақта электр құралын қолданбаңыз.** Жұмыс кезінде электр құралдары ұшқындар шығады және ұшқындар шаңды немесе буларды тұтандыруы мүмкін.
- ▶ **Балалардың және бөгде адамдардың жұмыс істеп тұрған электр құралына жақындауына рұқсат етпеңіз.** Жұмысқа көңіл бөлмегенде, электр құралын бақылау жоғалуы мүмкін.

Электр қауіпсіздігі

- ▶ **Электр құралдың байланыс ашасы электр желісінің розеткасына сай болуы керек.** Айырдың конструкциясын өзгертеңіз. Қорғауыш жерге қосуы бар электр құралдарымен бірге өтпелі айырларды қолданбаңыз. Түпнұсқа айырлар және оларға сай розеткалар электр тогының соғу қаупін азайтады.
- ▶ **Жерге қосылған беттерге, мысалы, құбырларға, жылыту құралдарына, пештерге (плиталарға) және тоңазытқыштарға тікелей тиюді болдырмаңыз.** Жерге қосылған заттарға тигенде электр тогының соғуының үлкен қаупі туындайды.
- ▶ **Электр құралдарды жаңбырдан немесе ылғал әсерінен сақтаңыз.** Электр құралға су тиюі нәтижесінде электр тогының соғу қаупі артады.
- ▶ **Байланыс сымын басқа мақсатта қолданбаңыз, мысалы, электр құралды тасымалдау, оны іліп қою немесе электр желісінің розеткасынан айырды шығару үшін.** Байланыс сымын жылу, май, өткір жиектер немесе жылжымалы бөліктерден алшақ ұстаңыз. Байланыс сымының зақымдалуы немесе қабаттасуы нәтижесінде электр тогының соғу қаупі артады.
- ▶ **Егер жұмыстар ашық ауада орындалса, тек бөлмелерден тыс қолдануға рұқсат етілген ұзартқыш сымдарды пайдаланыңыз.** Бөлмелерден тыс қолдануға жарамды ұзартқыш сымды пайдалану электр тогының соғу қаупін азайтады.
- ▶ **Егер электр құралмен ылғалдылық жағдайларында жұмыс істеуді болдырмау мүмкін емес болса, шығып кететін токтан қорғау автоматын қолданыңыз.** Шығып кететін токтан қорғау автоматын қолдану электр тогының соғу қаупін азайтады.

Адамдардың қауіпсіздігі

- ▶ **Ұқыпты болыңыз, әрекеттеріңізге көңіл бөліңіз және электр құралымен жұмыс істеуге дұрыс қараңыз.** Шаршаған кезде немесе есірткі, алкоголь не дәрі қабылдаған соң электр құралын қолданбаңыз. Электр құралын қолданған кездегі зейінсіздік ауыр жарақаттарға апарып соғуы мүмкін.
- ▶ **Жеке қорғану құралдарын пайдаланыңыз және әрқашан міндетті түрде қорғауыш көзілдірікті киіңіз.** Электр құралының түріне және пайдалану жағдайларына байланысты жеке қорғану құралдарын, мысалы, шаңнан қорғайтын респираторды, сырғымайтын аяқ киімді, қорғауыш шлемді, естуді қорғау құралдарын қолдану жарақаттану қаупін азайтады.
- ▶ **Электр құралының кездейсоқ қосылуын болдырмаңыз.** Электр қуатына қосу және/немесе аккумуляторды қою, көтеру немесе тасымалдау алдында электр құралы өшірілгенін көз жеткізіңіз. Электр құралын тасымалдағанда саусақтар сөндіргіште болатын немесе қосылған электр құралы желіге қосылатын жағдайлар сәтсіз жағдайларға өкелуі мүмкін.
- ▶ **Электр құралын қосу алдында реттеуші құрылғыларды және гайка кілтін алыңыз.** Электр құралының айналатын бөлігіндегі аспап немесе кілт жарақаттарға өкелуі мүмкін.
- ▶ **Жұмыс кезінде ыңғайсыз қалыптарға тұрмауға тырысыңыз. Үнемі тұрақты күйді және тепе-теңдікті сақтаңыз.** Бұл күтпеген жағдайларда электр құралын жақсырақ басқаруға мүмкіндік береді.
- ▶ **Арнайы киімді киіңіз. Өте бос киімді немесе әшекейлерді кимеңіз. Шашты, киімді және қолғапты электр құралының айналатын түйіндерінен сақтаңыз.** Бос киім, әшекейлер және ұзын шаш оларға ілінуі мүмкін.



- ▶ Егер шаңды жинау және кетіруге арналған құрылғыларды қосу қарастырылған болса, олар қосылғанына және мақсаты бойынша қолданылып жатқанына көз жеткізіңіз. Шаңды кетіру модулін пайдалану шаңның зиянды әсерін азайтады.
- ▶ Оз мойныңызға қате қауіпсіздік сезімін алмаңыз және электр құралына арналған қауіпсіздік ережелерін бұзбаңыз, тіпті электр құралын жиі қолданатын тәжірибелі пайдаланушы болсаңыз. Мұқиятсыз қолдану бірнеше секундта ауыр жарақаттануға апарып соғуы мүмкін.

Электр құралын қолдану және оған қызмет көрсету

- ▶ Аспапқа шамадан тыс жүктеме түсуін болдырмаңыз. Нақ осы жұмысқа арналған электр құралын қолданыңыз. Бұл ережені сақтау көрсетілген қуат диапазонында жоғарырақ жұмыс сапасын және қауіпсіздігін қамтамасыз етеді.
- ▶ Сөндіргіші бұзылған электр құралын қолданбаңыз. Қосу немесе өшіру қиын электр құралы қауіпті және оны жөндеу керек.
- ▶ Электр құралын реттеуге, саймандарды ауыстыруға кірісу алдында немесе жұмыстағы үзіліс алдында розеткадан ашаны және/немесе электр құралына арналған алмалы-салмалы аккумуляторды шығарыңыз. Бұл сақтық шарасы электр құралының кездейсоқ қосылуын болдырмайды.
- ▶ Қолданылмайтын электр құралдарын балалар жетпейтін жерде сақтаңыз. Аспаппен таныс емес немесе осы нұсқауларды оқып шықпаған адамдарға аспапты пайдалануға рұқсат бермеңіз. Электр құралдары тәжірибесі жоқ пайдаланушылардың қолында қауіпті болады.
- ▶ Электр құралдары мен керек-жарақтарға ұқыпты қараңыз. Айналмалы бөліктердің мүлтіксіз қызмет ететінін, олардың жүрісінің жеңілдігін, барлық бөліктердің тұтастығын және электр құралының жұмысына теріс әсер етуі мүмкін зақымдардың жоқтығын тексеріңіз. Аспаптың зақымдалған бөліктерін оны қолдану алдында жөндеуге өткізіңіз. Электр құралына техникалық қызмет көрсету ережелерін сақтамау көп сәтсіз жағдайлардың себебі болып табылады.
- ▶ Кескіш аспаптардың үшкір және таза болуын қадағалау керек. Жұмыс күйінде сақталатын кескіш аспаптардың сыналануы сиректеу болады, оларды басқару жеңілдеу.
- ▶ Электр құралын, саймандарды, көмекші құрылғыларды және т.б. нұсқауларға сай пайдаланыңыз. Бұл кезде жұмыс жағдайларын және орындалатын жұмыстың сипатын ескеріңіз. Электр құралдарын басқа мақсаттарда қолдану қауіпті жағдайларға әкелуі мүмкін.
- ▶ Тұтқыштар мен тұтқыш беттерін таза, құрғақ, май іздерінсіз ұстаңыз. Сырғанақ тұтқыштар мен олардың беттері белгілі бір жағдайларда электр құралының қауіпсіз қолданылуы мен басқарылуына жол бермейді.

Аккумуляторлық аспапты пайдалану және оған қарау

- ▶ Аккумуляторды тек өндіруші ұсынған зарядтағыш құрылғылардың көмегімен зарядтаңыз. Зарядтағыш құрылғыны тиісті емес аккумулятор түрлерін зарядтау үшін қолданғанда өрт туындауы мүмкін.
- ▶ Аспаппен жұмыс істеу үшін тек тиісті аккумуляторларды қолданыңыз. Басқа аккумуляторларды пайдалану жарақаттарға әкелуі және өрт тудыруы мүмкін.
- ▶ Пайдаланылмайтын аккумуляторларды контакттардың тұйықталуының себебі болуы мүмкін скрепкалардан, тиындардан, кілттерден, инелерден, винттерден және басқа металл заттардан ары сақтаңыз. Аккумулятор контактарының тұйықталуы күйіктерге немесе тұтануға әкелуі мүмкін.
- ▶ Аккумулятормен тиісті емес түрде жұмыс істегенде одан электролит ағып шығуы мүмкін. Оған тиюді болдырмаңыз. Кездейсоқ тигенде сумен шайыңыз. Электролит кезге тигенде дәрігер көмегіне жүгініңіз. Аккумулятордан ағып шыққан электролит тері тітіркенуін немесе күйіктерді тудыруы мүмкін.
- ▶ Зақымдалған не пішіні өзгертілген аккумуляторларды қолданбаңыз. Зақымдалған не пішіні өзгертілген аккумуляторларды болжауға болмайды және олар өрт, жарылыс не жарақаттану қаупін тудырады.
- ▶ Аккумуляторды өрт не жоғары температуралы аймақтардан алшақ ұстаңыз. Өрт немесе 130 °C (265 °F) жоғары температуралар жарылыс тудыруы мүмкін.
- ▶ Зарядтау үшін барлық нұсқауларды орындаңыз және аккумулятор не аккумуляторлық құралды ешқашан пайдалану бойынша нұсқаулықта берілген температура ауқымдарынан тыс зарядтамаңыз. Қате зарядтау немесе рұқсатты температура ауқымдарынан тыс зарядтау аккумуляторды бұзуы және өрт қаупін арттыруы мүмкін.

Қызмет

- ▶ Электр құралын жөндеуді тек түпнұсқа қосалқы бөлшектерді қолданатын білікті қызметкерлерге сеніп тапсырыңыз. Бұл электр құралын қауіпсіз күйде сақтауды қамтамасыз етеді.
- ▶ Зақымдалған аккумуляторларға ешқашан қызмет көрсетпеңіз. Аккумулятордың толық күтімін тек өндіруші немесе өкілетті қызмет көрсету орталықтары орындауы тиіс.



2.2 Қауіпсіздік бойынша қосымша нұсқаулар, гайка бұрауыш

Адамдардың қауіпсіздігі

- ▶ Өнімді тек техникалық мінсіз күйінде қолданыңыз.
- ▶ Аспапта ешқашан бейімдеу не өзгерту жұмыстарын орындамаңыз.
- ▶ Аспап жинағына кіретін қосымша тұтқыштарды қолданыңыз. Аспапты басқаруды жоғалту жарақаттарға әкелуі мүмкін.
- ▶ Әрқашан аспапты екі қолмен тұтқыштарынан берік ұстаңыз. Тұтқышты құрғақ әрі таза күйінде ұстаңыз.
- ▶ Пайдаланатын аспабыңыз көзден таса электр желісіне тиіп кетуі мүмкін болса, аспаптың арнайы жеке бөлінген жерінен ұстаңыз. Электр сымдарына тигенде аспаптың қорғалмаған металл бөліктері кернеу астында болады. Бұл электр тогының соғуына әкелуі мүмкін.
- ▶ Аспаптың айналатын бөлшектеріне тиемеңіз - жарақат алу қаупі бар!
- ▶ Аспапты қолданған кезде арнайы қорғаныс көзілдірігін, қорғаныс шлемін, құлаққап, қорғаныс қолғап пен жеңіл респиратор тағып жүріңіз.
- ▶ Құралды алмастырған кезде қорғаныс қолғаптарын да киіңіз. Алмалы-салмалы аспапқа тию кесіктерге және күйіктерге апарып соғуы мүмкін.
- ▶ Қорғауыш көзілдіріктерді пайдаланыңыз. Материалдың сынықтары денені және көзді жарақаттауы мүмкін.
- ▶ Жұмысты бастау алдында дайындама материалы бойынша пайда болатын шаңның қауіп класын анықтаңыз. Аспаппен жұмыс істеу үшін қорғаныс дәрежесі қолданыстағы шаңнан қорғау нормаларына сай құрылыс шаңсорғышын қолданыңыз. Құрамында қорғасын бар бояулар, ағаштың кейбір түрлері, бетон/кірпіш қалауы/кварц қамтитын жыныстар және минералдар мен металл сияқты материалдардан пайда болатын шаң денсаулық үшін зиянды болуы мүмкін.
- ▶ Жұмыс орнындағы ауа алмасуды жақсарту үшін әрекет етіңіз және қажетінше тиісті шаңға арналған респираторды тағыңыз. Мұндай шаңның бөлшектерімен дем алу немесе оған тию пайдаланушыларда немесе жанындағы адамдарда аллергиялық реакциялардың және/немесе дем алу жолдары ауруларының пайда болуына әкелуі мүмкін. Кейбір шаң түрлері (мысалы, еменді немесе шамшатты өңдеу кезінде пайда болатын шаң) канцерогенді деп есептеледі, әсіресе ағашты өңдеу үшін қолданылатын қосымша материалдармен (хром қышқылының тұзы, ағашты қорғау заттары) тіркесімде. Құрамында асбест бар материалдарды тек мамандар өңдеуі керек.
- ▶ Саусақтарыңыздың қандандыруын жақсарту үшін үзіліс жасап, жаттығулар жасаңыз. Ұзақ уақыт жұмыс істеген кезде, дірілдердің салдарынан саусақ, қол не буындардың қантартымы не жүйкесіне кері әсер тиюі мүмкін.

Электр қауіпсіздігі

- ▶ Жұмысты бастамас бұрын, жұмыс аймағындағы электрлік сымдар, газ бен су құбырлары жабық екендігіне көз жеткізіңіз. Ток сымна байқамастан зақым келтірген жағдайда, аспаптағы сыртта орналасқан металл бөлшектер ток соғу қаупін тудыруы мүмкін.

Электр құралмен дұрыс жұмыс істеу және оны дұрыс пайдалану

- ▶ Электр құрал блокталған кезде құралды бірден өшіріңіз. Аспап бүйірімен ауытқуы мүмкін.
- ▶ Электр құралды алып тастау алдында оның толығымен тоқтатылған күйге орнатылғанына дейін күтіңіз.

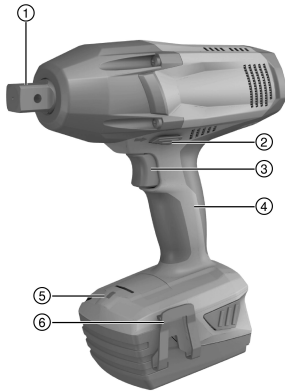
2.3 Аккумулятормен дұрыс жұмыс істеу және оны дұрыс пайдалану

- ▶ Li-Ion аккумуляторын тасымалдау, сақтау және пайдалану бойынша арнайы нұсқаулардың талаптарын орындаңыз.
- ▶ Аккумуляторларды жоғары температуралар, тікелей күн сәулесі мен өрттен алшақ ұстаңыз.
- ▶ Аккумуляторларды бөлшектеуге, қысуға, 80°C-тан жоғары температураға дейін қыздыруға және жағуға тыйым салынады.
- ▶ Соққы тиген, бір метрден жоғары биіктіктен құлаған немесе басқа жолмен зақымдалған аккумуляторларды пайдалануға немесе зарядтауға болмайды. Мұндай жағдайда әрдайым **Hilti сервистік қызметіңізге** хабарласыңыз.
- ▶ Егер тиген кезде аккумулятор тым ыстық болса, ол ақаулы болуы мүмкін. Аспапты тұтану қаупі жоқ орынға, тұтанғыш материалдардан алыс, оны бақылауға болатындай қойыңыз және суытып қойыңыз. Мұндай жағдайда әрдайым **Hilti сервистік қызметіңізге** хабарласыңыз.



3 Сипаттама

3.1 Өнімге шолу



- ① Тесіп өткен саңылауы бар 3/4" сыртқы төрт қырлы кілт
- ② Іске қосылуға қарсы құлпы бар оңға/солға айнарудың ауыстырып-қосқышы
- ③ Негізгі сөндіргіш
- ④ Тұтқыш
- ⑤ Жұмыс орнындағы жарықтандыру
- ⑥ Белдікке ілуге арналған ілгек (таңдау бойынша)
- ⑦ Аккумулятор
- ⑧ Зарядтау деңгейінің және ақаулықтардың индикаторы (Li-Ion аккумуляторы)
- ⑨ Аккумулятор зарядтау деңгейінің индикаторын белсендірудің қосымша функциясы бар бұғаттау түймесі

3.2 Мақсатына сай қолдану

Сипатталған өнім қолмен басқарылатын аккумуляторлық гайка бұрауыш болып табылады. Ол бұрағыш гайкалар мен болттарды, дюбельдерді және бұрандалы бекіткіштерді бұрап бекіту және босатуға арналған. Құрал бекіткішінде тесіп өткен саңылаумен сыртқы шаршы бар.

Гайка бұрауыш тек дәл/белгіленген айналу моментін қажет етпейтін жұмыстарда ғана пайдаланылуы мүмкін. Әйтпесе айналу моментінен асыру және бұрандаға немесе дайындамаға зақым келтіру қаупі туындайды.

- ▶ Бұл өнім үшін тек В 22 сериялы **Hilti** Li-Ion аккумуляторларын ғана пайдаланыңыз.
- ▶ Бұл аккумуляторлар үшін тек С4/36 сериялы **Hilti** зарядтағыш құрылғысын пайдаланыңыз.

3.3 Жеткізу жинағы

Гайка бұрауыш, пайдалану бойынша нұсқаулық.

Қауіпсіз жұмысты қамтамасыз ету үшін тек түпнұсқа қосалқы бөлшектер мен шығын материалдарын қолданыңыз. Біз рұқсат еткен қосалқы бөлшектер, шығын материалдары мен өнімге арналған керек-жарақтар **Hilti Store** дүкенінде немесе келесі веб-сайтта қолжетімді: www.hilti.group | АҚШ: www.hilti.com

3.4 Li-Ion аккумуляторының индикаторы

Li-Ion аккумуляторының зарядтау күйі және аспаптағы ақаулықтар Li-Ion аккумуляторының индикаторында көрсетіледі. Li-Ion аккумуляторының зарядтау күйінің көрсеткіші екі аккумуляторды босату түймесін басу арқылы көрсетіледі.

Құралдың бөлшектері	Сипаттамасы
4 жарық диоды жанады.	Зарядтау күйі: 75 % - 100 %



2113750

Қазақ 121

Құралдың бөлшектері	Сипаттамасы
3 жарық диоды жанады.	Зарядтау күйі: 50 % - 75 %
2 жарық диоды жанады.	Зарядтау күйі: 25 % - 50 %
1 жарық диоды жанады.	Зарядтау күйі: 10 % - 25 %
1 жарық диоды жыпылықтайды, аспап жұмысқа дайын.	Зарядтау күйі: < 10 %
1 жарық диоды жыпылықтайды, аспап жұмысқа дайын емес.	Аккумулятор қызып кетті.
4 жарық диоды жыпылықтайды, аспап жұмысқа дайын емес.	Аспап қызып кетті немесе оған шамадан тыс жүктеме түсті.

i Негізгі сөндіргіш басылып тұрғанда және негізгі сөндіргішті жібергеннен 5 секундтан кейін зарядтау күйіне сұрау салу мүмкін болмайды. Аккумулятор индикаторының жарық диодтары жыпылықтаған жағдайда «Ақаулықтардағы көмек» бөліміндегі нұсқауларға назар аударыңыз.

4 Техникалық сипаттамалар

4.1 Гайка бұрауыш

Номиналды кернеу	21,6 В _{DC}
ЕРТА 01 процедурасы бойынша салмағы	3,6 кг
Есептелген бос жүрістегі айналу жиілігі	1400 А/мин
Соққы жиілігі	2200 соғу/мин
Жұмыс кезіндегі қоршаған орта температурасы	-17 °C ... 60 °C
Сақтау температурасы	-20 °C ... 70 °C

4.2 Аккумулятор

Аккумулятордың жұмыс кернеуі	21,6 В
Жұмыс кезіндегі қоршаған орта температурасы	-17 °C ... 60 °C
Сақтау температурасы	-20 °C ... 40 °C
Зарядтаудың басындағы аккумулятор температурасы	-10 °C ... 45 °C

4.3 EN 60745 стандарты бойынша шуыл туралы ақпарат және діріл мәні

Осы нұсқауларда көрсетілген дыбыс қысымы мен діріл деңгейі стандартты өлшеу әдісімен өлшенген және оны басқа электр құралдарымен салыстыру үшін пайдалануға болады. Сонымен бірге, ол экспозицияны алдын ала бағалау үшін жарайды. Берілген деректер электр құралдың негізгі жұмысын көрсетеді. Алайда, егер электр құралы басқа мақсаттарда, басқа жұмыс аспаптарымен қолданылса немесе оған қанағаттандырмайтын техникалық қызмет көрсетілсе, деректер өзгеше болуы мүмкін. Осының салдарынан аспаптың бүкіл жұмыс істеу кезеңінде экспозиция айтарлықтай артуы мүмкін. Экспозицияны дәл анықтау үшін аспап сөндірілген күйде немесе бос жұмыс істейтін уақыт аралықтарын да ескеру керек. Осының салдарынан аспаптың бүкіл жұмыс істеу кезеңінде экспозиция айтарлықтай азаяуы мүмкін. Пайдаланушыны пайда болатын шуылдан және/немесе дірілден қорғау үшін қосымша сақтық шараларын қолданыңыз, мысалы: электр құралға және алмалы-салмалы аспаптарға техникалық қызмет көрсету, қолдардың жылуын сақтау, жұмыс процестерін дұрыс ұйымдастыру.

Шуылдың эмиссиялық көрсеткіші

Эмиссиялық дыбыс қысымының деңгейі (L_{pA})	98,5 дБ(A)
Дыбыс қысымының деңгейі бойынша дәлсіздік (K_{pA})	3 дБ(A)
Дыбыс күшінің деңгейі (L_{WA})	109,5 дБ(A)
Дыбыс күшінің деңгейі бойынша дәлсіздік (K_{WA})	3 дБ(A)



Дірілдің жалпы көрсеткіші

Максималды рұқсатты өлшемдегі бұрандалар мен гайкаларды тарту бойынша дірілдің шығыс мәні (a_{car})	7 м/с ²
Дәлсіздік (K)	1,5 м/с ²

5 Жұмысқа дайындық

5.1 Аккумуляторды зарядтау

1. Зарядтау алдында зарядтағыш құрылғының пайдалану бойынша нұсқаулығын оқып шығыңыз.
2. Аккумулятордағы және зарядтағыш құрылғыдағы контактілердің таза әрі құрғақ екендігіне көз жеткізіңіз.
3. Аккумуляторды рұқсат етілген зарядтағыш құрылғы ішінде зарядтаңыз.

5.2 Аккумуляторды орнату

АБАЙЛАҢЫЗ

Жарақат алу қаупі қысқа тұйықталудан немесе аккумулятордың құлауынан!

- ▶ Аккумуляторды орнату алдында аккумулятор контактілерінде және өнімдегі контактілерде бөгде заттардың жоқтығына көз жеткізіңіз.
 - ▶ Аккумулятордың әркез дұрыс орнатылғанына көз жеткізіңіз.
1. Аккумуляторды алғаш рет іске қоспас бұрын зарядтаңыз.
 2. Аккумуляторды аспап ұстағышына шерту дыбысы шыққанша мұқият салыңыз.
 3. Аккумулятордың аспапқа берік бекітілгенін тексеріңіз.

5.3 Аккумуляторды шығару

1. Аккумулятордағы құлыптан босату түймелерін басыңыз.
2. Аккумуляторды аспап ұстағышынан шығарып алыңыз.

5.4 Қысу төлкесін орнату (құрал) 2

АБАЙЛАҢЫЗ

Жарақат алу қаупі - қате құралдың пайдаланылуына байланысты!

- ▶ Тек құлыптау мүмкіндігі бар құралдарды ғана пайдаланыңыз.
- ▶ Тозған немесе зақымдалған құралдарды қолданбаңыз.

АБАЙЛАҢЫЗ

Жарақат алу қаупі тозған немесе зақымдалған сақтандырғыштан

- ▶ Тозған немесе зақымдалған төжегіш сақиналарды пайдаланбаңыз.

1. Оңға/солға айналу ауыстырып-қосқышын ортаңғы күйге орнатыңыз немесе аккумуляторды аспаптан ажыратыңыз.
2. Қысу төлкесін аспаптың қозғалтқыш төртжағына салыңыз.



Қысу төлкесін төлке бекіткішіндегі саңылау қозғалтқыш төртжағындағы саңылауға сәйкес келетіндей етіп туралаңыз.

3. Төмендегі шарт орындалғанда, бұл әрекетті қосымша орындаңыз:

Шарттар: Тығыздауыш сақина мен бекіткіш штифт пайдаланылған жағдайда.

- ▶ Тығыздауыш сақинаны қысу төлкесіндегі ойықтан шығарыңыз. Бекіткіш штифтіні қысу төлкесі мен қозғалтқыш төртжағының саңылауына салыңыз. Содан кейін тығыздауыш сақинаны қайтадан қысу төлкесінің ойығына орнатыңыз.



4. Төмендегі шарт орындалғанда, бұл әрекетті қосымша орындаңыз:

Шарттар: Тежегіш сақина пайдаланылған жағдайда.

- ▶ Тежегіш сақинаны қысу төлкесіне енгізіңіз.

5.5 Қысу төлкесін бөлшектеу (құрал)

1. Оңға/солға айналу ауыстырып-қосқышын ортаңғы күйге орнатыңыз немесе аккумуляторды аспаптан ажыратыңыз.
2. Тежегіш сақинаны немесе тығыздауыш сақинаны, соның ішінде бекіткіш штифтіні қысу төлкесінен шығарыңыз.
3. Қысу төлкесін құрылғының қозғалтқыш төртжағынан шығарыңыз.

5.6 Белдікке ілуге арналған ілгекті орнату (қосымша)



ЕСКЕРТУ

Жарақат алу қаупі Аспапты құлатудан болатын қауіп.

- ▶ Аспаптың құлауы сіз және басқа тұлғалар үшін қауіпті жағдайлар тудыруы мүмкін. Жұмысты бастау алдында белдік ілгегі берік бекітілгенін тексеріңіз.



Ілгек аспапты белдікке ілуге мүмкіндік береді. Белдікке ілуге арналған ілгекті оң және сол жақтан ұстау үшін орнатуға болады.

1. Аккумуляторды аспаптан шығарыңыз. → Бет 123
2. Белдікке ілуге арналған ілгекті өнімнің тірегіндегі арнайы саңылауға кіргізіңіз.
3. Белдікке ілуге арналған ілгекті екі бұрандамен бекітіңіз.

5.7 Нiлiтi құлаудан қорғанысын орнату (қосымша)



НАЗАР АУДАРЫҢЫЗ

Өнімнің және/немесе фалиннің зақымдалуы. Қате қолдану нәтижесінде өнім және/немесе фалин зақымдалуы мүмкін.

- ▶ Металл шынжырларды фалин ретінде қолданбаңыз. Ұзындығы 2,0 m (6 ft) шамасынан артық фалиндерді қолданбаңыз.



Залалға жол бермеу үшін, биік жерде жұмыс істеген кезде **Hilti** құлаудан қорғанысын пайдаланған жөн.

Құлаудан қорғаныс ұстағыш арқандарды/ұстағыш таспаларды бекітуге мүмкіндік береді.

Биік жерде жұмыс істеу бойынша ұлттық директиваларды өніммен жұмыс істеген кезде міндетті түрде ұстаныңыз.

1. Аккумуляторды аспаптан шығарыңыз. → Бет 123
2. Құлаудан қорғаныстың екі ысырмасын құрылғы тірегінің екі жағындағы ойықтарға кіргізіңіз.
3. Құлаудан қорғанысты тиісті бұрандалармен бекітіңіз.
4. Аккумуляторды орнатыңыз. → Бет 123

6 Жұмыс істеу

6.1 Айналу бағытын орнату



Орталық күйінде оңға/солға айналу ауыстырып-қосқышы іске қосылуға қарсы құлып ретінде қызмет етеді.

- ▶ Оңға/солға айналу ауыстырып-қосқышын оң не сол жақ айналуға орнатыңыз.



6.2 Қосу

- ▶ Бұғаттаудан шығару түймесін басыңыз.
- ↳ Басу тереңдігі арқылы айналу жиілігін реттеуге болады.



Өнімге артық жүктеме түсірмеңіз. Өнімді қатты жылу пайда болғанда бірнеше минут суытыңыз.

6.3 Өшіру

- ▶ Негізгі сөндіргішті жіберіңіз.

7 Күту және техникалық қызмет көрсету



ЕСКЕРТУ

Акумулятор енгізілген кезде жарақат алу қаупі бар !

- ▶ Күтім және техникалық қызмет көрсету бойынша кез келген жұмыстарды орындамас бұрын әрдайым акумуляторды шығарыңыз!

Аспапқа қызмет көрсету

- Қатты жабысқан кірді мұқият кетіріңіз.
- Желдету ойықтарын құрғақ қылшақпен жайлап тазалаңыз.
- Корпусты тек сәл суланған шүберекпен тазалаңыз. Ешқандай силикон қамтитын күтім құралдарын пайдаланбаңыз, өйткені олар пластмасса бөлшектерін зақымдауы мүмкін.

Литий-иондық акумуляторға қызмет көрсету

- Акумуляторды май мен майлағыштан таза күйінде ұстаңыз.
- Корпусты тек сәл суланған шүберекпен тазалаңыз. Ешқандай силикон қамтитын күтім құралдарын пайдаланбаңыз, өйткені олар пластмасса бөлшектерін зақымдауы мүмкін.
- Ылғалдың кіруін болдырмаңыз.

Техникалық қызмет көрсету

- Барлық көзге көрінетін бөлшектерде зақымдардың бар-жоғын және басқару элементтерінің ақаусыз жұмысын жиі тексеріп тұрыңыз.
- Өнім зақымдалған және/немесе ақаулы болған жағдайда оны пайдаланушы болмаңыз. Бірден Hilti қызмет көрсету орталығына жөндетіңіз.
- Күтім және техникалық қызмет көрсету жұмыстарынан кейін барлық қорғауыш құрылғыларды орнатып, жұмысын тексеріңіз.



Қауіпсіз қолдану үшін тек түпнұсқа қосалқы бөлшектер мен жұмсалатын материалдарды қолданыңыз. Біз рұқсат еткен қосалқы бөлшектер, шығын материалдары мен өнімге арналған керек-жарақтар Hilti Store дүкенінде немесе келесі веб-сайтта қолжетімді: www.hilti.group.

8 Акумуляторлық аспаптарды тасымалдау және сақтау

Тасымалдау



АБАЙЛАҢЫЗ

Тасымалдау кезіндегі кенет іске қосылу !

- ▶ Өніміңізді әрдайым акумуляторын шығарып алып тасымалдаңыз!
- ▶ Акумуляторларды шығарыңыз.
- ▶ Акумуляторларды ешқашан үймеде тасымалдамаңыз.
- ▶ Аспапты немесе акумуляторларды ұзақ уақыт тасымалдаған соң, оларды пайдалану алдында зақымдарының бар-жоғын тексеріңіз.

Сақтау



АБАЙЛАҢЫЗ

Бүлінген немесе заряды таусылған акумуляторлардан күтілмеген зақымдалу !

- ▶ Өніміңізді әрдайым акумуляторын шығарып алып сақтаңыз!
- ▶ Аспап пен акумуляторларды мүмкіндігінше салқын және құрғақ күйінде сақтаңыз.



2113750

Қазақ 125

- ▶ Аккумуляторларды ешқашан күн, жылу көздерінің астында немесе әйнек артында сақтамаңыз.
- ▶ Аспап пен аккумуляторларды балалар мен рұқсаты жоқ адамдардың қолы жетпейтін жерде сақтаңыз.
- ▶ Аспапты немесе аккумуляторларды ұзақ уақыт сақтаған соң, оларды пайдалану алдында зақымдарының бар-жоғын тексеріңіз.

9 Ақаулықтардағы көмек

Бұл кестеде келтірілмеген немесе өзіңіз түзете алмайтын ақаулықтар орын алғанда, **Hilti** қызмет көрсету орталығына хабарласыңыз.

9.1 Ақаулықтардағы көмек

Бұл кестеде келтірілмеген немесе өзіңіз түзете алмайтын ақаулықтар орын алғанда, **Hilti** қызмет көрсету орталығына хабарласыңыз.

Ақаулық	Ықтимал себеп	Шешім
Аспап жұмыс істемейді.	1 жарық диоды жыпылықтайды: Аккумулятор заряды бос.	▶ Аккумуляторды шығарып, зарядтаңыз.
	Аккумулятор дұрыс салынбаған.	▶ Аккумулятор шырт етіп бекітілуі керек. Аккумуляторды тағы бір рет шығарып қайта салыңыз.
	1 жарық диоды жыпылықтайды: Аккумулятор қызып немесе суып кетті.	▶ Аккумуляторды жұмыс температурасына дейін суытыңыз/жылытыңыз.
	4 жарық диоды жыпылықтайды: Аспапқа қысқа мерзімді артық жүктеме түсті	▶ Негізгі сөндіргішті босатып, қайта басыңыз.
Негізгі сөндіргішті басуға болмайды.	Оңға/солға айналу ауыстырып-қосқышы ортаңғы күйде.	▶ Оңға/солға айналу ауыстырып-қосқышын солға не оңға бұраңыз.
Айналу моменті қатты төмендетіледі.	Аккумулятор заряды бос.	▶ Аккумуляторды шығарып, зарядтаңыз.
Аккумулятор шырт етіп бекітілмейді.	Аккумулятордағы құлып шоқылары кірленген.	▶ Тіреуіш шығыңқы жерлерін тазалаңыз.
Аккумулятор заряды әдеттегіден тезірек таусылады.	Қоршаған орта температурасы тым төмен.	▶ Аккумуляторды ұзақ уақыт бойы бөлме температурасында жылытыңыз.

10 Көдеге жарату

Hilti аспаптары қайта өңдеу үшін жарамды көптеген материалдардың санын қамтиды. Көдеге жарату алдында материалдарды мұқият сұрыптау керек. Көптеген елдерде **Hilti** компаниясы ескі аспабыңызды қайта өңдеу үшін қайта қабылдайды. **Hilti** қызмет көрсету орталығынан немесе дилеріңізден сұраңыз.

Аккумуляторды көдеге жарату

Аккумуляторларды нұсқаулардан тыс көдеге жарату нәтижесінде газ не сұйықтықтың шығуы денсаулыққа қауіп төндіруі мүмкін.

- ▶ Зақымдалған аккумуляторларды жіберуге немесе жөнелтуге болмайды!
- ▶ Қысқа тұйықталуға жол бермеу үшін, қосылымдарды ток өткізбейтін материалмен жауып қойыңыз.
- ▶ Аккумуляторларды балалардың қолына жетпейтіндей етіп көдеге жаратыңыз.
- ▶ Аккумуляторды **Hilti Store** дүкенінде көдеге жаратыңыз немесе жергілікті көдеге жарату кәсіпорнына хабарласыңыз.



- ▶ Электр құралдарды, электрондық құрылғылар мен аккумуляторларды тұрмыстық қоқыспен бірге тастамаңыз!



11 RoHS (зиянды заттектердің пайдаланылуын шектеу директивасы)

Төмендегі сілтеме бойынша зиянды заттектердің кестесі келтірілген: qr.hilti.com/r4838535.
RoHS кестесінің сілтемесі осы құжаттаманың соңында QR коды ретінде берілген.

12 Өндіруші кепілдігі

- ▶ Кепілдік шарттары туралы сұрақтарыңыз болса, жергілікті **Hilti** серіктесіне хабарласыңыз.



1 Dokümantasyon verileri

1.1 Bu doküman için

- Çalıştırmadan önce bu dokümanı okuyunuz. Bu, güvenli çalışma ve arzasız kullanım için ön koşuldur.
- Bu dokümanda ve ürün üzerinde bulunan güvenlik ve uyarı bilgilerine dikkat ediniz.
- Kullanım kılavuzunu her zaman ürün üzerinde bulundurunuz ve ürünü sadece bu kılavuz ile birlikte başka kişilere veriniz.

1.2 Resim açıklaması

1.2.1 Uyarı bilgileri

Uyarı bilgileri, ürün ile çalışırken ortaya çıkabilecek tehlikelere karşı uyarır. Aşağıdaki uyarı metinleri kullanılır:



TEHLİKE

TEHLİKE !

- ▶ Ağır vücut yaralanmalarına veya doğrudan ölüme sebep olabilecek tehlikeler için.



İKAZ

İKAZ !

- ▶ Ağır yaralanmalara veya ölüme neden olabilecek tehlikeler için.



DİKKAT

DİKKAT !

- ▶ Hafif vücut yaralanmalarına veya maddi hasarlara yol açabilecek olası tehlikeli durumlar için.

1.2.2 Dokümandaki semboller

Bu dokümanda aşağıdaki semboller kullanılmıştır:

	Kullanmadan önce kullanım kılavuzunu okuyunuz
	Kullanım uyarıları ve diğer gerekli bilgiler
	Geri dönüşümlü malzemeler ile çalışma
	Elektrikli aletleri ve aküleri evdeki çöplere atmayınız

1.2.3 Resimlerdeki semboller

Resimlerde aşağıdaki semboller kullanılmıştır:

2	Bu sayılar, kılavuzun başlangıcındaki ilgili resimlere atanmıştır
3	Numaralandırma, resimdeki çalışma adımlarının sırasını göstermektedir ve metindeki çalışma adımlarından farklı olabilir
11	Pozisyon numaraları Genel bakış resminde kullanılır ve Ürüne genel bakış bölümündeki açıklama numaralarına referans niteliğindedir
	Bu işaret, ürün ile çalışırken dikkatinizi çekmek için koyulmuştur.



1.3 Ürüne bağlı semboller

1.3.1 Üründeki semboller

Üründe aşağıdaki semboller kullanılabilir:

	Kablosuz veri aktarımı
--	------------------------



	Kullanılan Hilti Lityum İyon akü tip serisi. Usulüne uygun kullanım bölümündeki bilgileri dikkate alınız.
	Koruma sınıfı II (çift izolasyonlu)
n ₀	Ölçüm rölaniti devir sayısı
/min	Dakika başına devir

1.4 Ürün bilgileri

HILTI ürünleri profesyonel kullanıcıların kullanımı için öngörülmüştür ve sadece yetkili personel tarafından kullanılabilir ve bakımı yapılabilir. Bu personel, meydana gelebilecek tehlikeler hakkında özel olarak eğitim görmüş olmalıdır. Aletin ve ilgili yardımcı gereçlerin eğitimsiz personel tarafından usulüne uygun olmayan şekilde kullanılması ve amaçları dışında çalıştırılması sonucu tehlikeli durumlar söz konusu olabilir. Tip tanımı ve seri numarası, tip plakası üzerinde belirtilmiştir.

► Seri numarasını aşağıdaki tabloya aktarınız. Ürün bilgileri acente veya servis merkezini aradığınızda sorulabilir.

Ürün bilgileri

Akülü darbeli vidalama makinesi	SIW 9-A22
Nesil:	01
Seri no.:	

1.5 Uygunluk beyanı

Burada tanımlanan ürünün, geçerli yönetmeliklere ve normlara uygun olduğunu kendi sorumluluğumuzda beyan ederiz. Bu dokümantasyonun sonunda uygunluk beyanının bir kopyasını bulabilirsiniz.

Teknik dokümantasyonlar eklidir:

Hilti Entwicklungsgesellschaft mbH | Zulassung Geräte | Hiltistraße 6 | 86916 Kaufering, DE

2 Güvenlik

2.1 Elektrikli el aletleri için genel güvenlik uyarıları

⚠ İKAZ Bu elektrikli el aletine yönelik tüm güvenlik uyarılarını, talimatları, resimli açıklamaları ve teknik verileri dikkatlice okuyunuz. Aşağıdaki talimatlara uyulmaması durumunda elektrik çarpması, yangın ve/veya ağır yaralanmalar söz konusu olabilir.

Tüm güvenlik uyarılarını ve kullanım talimatlarını muhafaza ediniz.

Güvenlik uyarılarında kullanılan "Elektrikli el aleti terimi, şebeke işletimli elektrikli el aletleri (şebeke kablosu ile) veya akü işletimli elektrikli el aletleri (şebeke kablosu olmadan) ile ilgilidir.

İş yeri güvenliği

- **Çalışma alanınızı temiz ve aydınlık tutunuz.** Düzensiz veya aydınlatma olmayan çalışma alanları kazalara yol açabilir.
- **Yanıcı sıvıların, gazların veya tozların bulunduğu patlama tehlikesi olan yerlerde elektrikli el aleti ile çalışmayınız.** Elektrikli el aletleri, toz veya buharı yakabilecek kıvılcım oluşturur.
- **Elektrikli el aletini kullanırken çocukları ve diğer kişileri uzak tutunuz.** Dikkatiniz dağılırsa aletin kontrolünü kaybedebilirsiniz.

Elektrik güvenliği

- **Elektrikli el aletinin bağlantı fişi prize uygun olmalıdır. Fiş hiçbir şekilde değiştirilmemelidir. Adaptör fişini topraklama korumalı elektrikli el aletleri ile birlikte kullanmayınız.** Değiştirilmemiş fişler ve uygun prizler elektrik çarpması riskini azaltır.
- **Borular, radyatörler, fırınlar ve buzdolapları gibi toprağa temas eden üst yüzeylere vücudunuzla temas etmekten kaçınınız.** Vücudunuzun toprakla teması var ise yüksek bir elektrik çarpması riski söz konusudur.
- **Elektrikli el aletini yağmurdan veya ıslaklıktan uzak tutunuz.** Elektrikli el aletine su girmesi, elektrik çarpması riskini artırır.
- **Elektrikli el aletini taşımak, asmak veya fişi prizden çekmek için bağlantı kablosunu kullanım amacı dışında kullanmayınız. Bağlantı kablosunu sıcağtan, yağdan, keskin kenarlardan ve hareketli parçalardan uzak tutunuz.** Hasarlı veya dolanmış bağlantı kabloları elektrik çarpması riskini artırır.



2113750

Türkçe

129

- ▶ **Elektrikli bir el aleti ile açık alanda çalışacaksanız, sadece dışarıda kullanımına izin verilen uzatma kabloları kullanınız.** Dış mekanlar için uygun olan uzatma kablolarının kullanılması elektrik çarpması riskini azaltır.
- ▶ **Elektrikli el aleti işletiminin nemli ortamda yapılması kaçınılmaz ise bir kaçak akım koruma şalteri kullanınız.** Bir kaçak akım koruma şalterinin kullanımı elektrik çarpması riskini azaltır.

Kişilerin güvenliği

- ▶ **Dikkatli olunuz, ne yaptığınızı dikkat ediniz ve elektrikli el aleti ile mantıklı bir şekilde çalışınız.** Yorgunsanız veya uyuşturucu, alkol veya ilaç etkisi altında olduğunuzda elektrikli el aleti kullanmayınız. Elektrikli el aletini kullanırken bir anlık dikkatsizlik ciddi yaralanmalara neden olabilir.
- ▶ **Kişisel koruyucu donanım ve her zaman bir koruyucu gözlük takınız.** Elektrikli el aletinin türüne ve kullanımına göre toz maskesi, kaymayan güvenlik ayakkabısı, koruyucu kask veya kulaklık gibi kişisel koruyucu donanımların kullanılması yaralanma riskini azaltır.
- ▶ **İstem dışı çalışmayı önleyiniz. Güç kaynağına ve/veya aküyü bağlamadan, girişini yapmadan veya taşımadan önce elektrikli el aletinin kapalı olduğundan emin olunuz.** Elektrikli el aletini taşırken parmağınız şalterde ise veya alet açık konumda güç kaynağına takılırsa bu durum kazalara yol açabilir.
- ▶ **Elektrikli el aletini devreye almadan önce ayar aletlerini veya vidalama anahtarlarını çıkarınız.** Dönen bir alet parçasında bulunan bir alet veya anahtar yaralanmalara yol açabilir.
- ▶ **Aşırı bir vücut hareketinden sakınınız. Güvenli bir duruş sağlayınız ve her zaman dengeli tutunuz.** Böylece beklenmedik durumlarda elektrikli el aletini daha iyi kontrol edebilirsiniz.
- ▶ **Uygun kıyafetler giyiniz. Bol kıyafetler giymeyiniz veya takı takmayınız. Saçları, kıyafetleri ve eldivenleri hareket eden parçalardan uzak tutunuz.** Bol kıyafetler, takı veya uzun saçlar hareket eden parçalara takılabilir.
- ▶ **Toz emme ve tutma tertibatları monte edilebiliyorsa bunların bağlı olduğundan ve doğru kullanıldığından emin olunuz.** Bu toz emme tertibatının kullanımı tozdan kaynaklanabilecek tehlikeleri azaltabilir.
- ▶ **Kendi güvenliğinizi riske atmayınız ve elektrikli el aletleri kullanımında son derece tecrübeli olsanız bile ilgili güvenlik kurallarını ihlal etmeyiniz.** Dikkatsiz kullanım saniyeler içerisinde ciddi yaralanmalara neden olabilir.

Elektrikli el aletinin kullanımı ve çalıştırılması

- ▶ **Aleti çok fazla zorlamayın. Çalışmanız için uygun olan elektrikli el aletini kullanın.** Uygun elektrikli el aleti ile bildirilen hizmet alanında daha iyi ve güvenli çalışırsınız.
- ▶ **Şalteri bozuk olan elektrikli el aletini kullanmayınız.** Açılıp kapatılmayan bir elektrikli el aleti tehlikelidir ve tamir edilmesi gerekir.
- ▶ **Alet ayarlarını yapmadan, aksesuar parçalarını değiştirmeden veya aleti bir yere koymadan önce fişi prizden ve/veya (çıkarılabilir) aküyü aletten çıkarınız.** Bu önlem, elektrikli el aletinin istem dışı çalışmasını engeller.
- ▶ **Kullanılmayan elektrikli el aletlerini çocukların erişemeyeceği yerde muhafaza edin. Aleti iyi tanımayan veya bu talimatları okumamış kişilere aleti kullandırmayınız.** Elektrikli el aletleri bilgisiz kişiler tarafından kullanılırsa tehlikelidir.
- ▶ **Elektrikli el aletlerinin ve aksesuarlarının bakımını titizlikle yapınız. Hareketli parçaların kusursuz çalıştığı ve sıkışmadığı, parçaların kırılıp kırılmadığı veya hasar görüp görmediği, elektrikli el aleti fonksiyonlarının kısıtlanma durumlarını kontrol ediniz. Hasarlı parçaları aleti kullanmadan önce tamir ettiriniz.** Birçok kazanın nedeni bakımın kötü yapılmasıdır.
- ▶ **Kesme aletlerini keskin ve temiz tutun.** Özenle bakım yapılmış keskin bıçak kenarı olan kesme aletleri daha az sıkışır ve kullanımı daha rahattır.
- ▶ **Elektrikli el aletini, aksesuarları, ek aletleri vb. bu talimatlara göre kullanın. Çalışma şartlarını ve yapılacak işi de ayrıca göz önünde bulundurun.** Elektrikli el aletlerinin öngörülen kullanımı dışında kullanılması tehlikeli durumlara yol açabilir.
- ▶ **Tutamağı ve tutamak yüzeylerini daima temiz ve yağ ve gresten arındırılmış durumda tutunuz.** Kaygan tutamaklar ve tutamak yüzeyleri güvenli bir kullanımı ve öngörülemez durumlarda elektrikli el aletinin kontrolünü engeller.

Aküli el aletinin kullanımı ve çalıştırılması

- ▶ **Aküleri sadece üretici tarafından tavsiye edilen şarj cihazları ile şarj ediniz.** Belirli bir akü için uygun olan bir şarj cihazı, başka akülerle kullanılırsa yanma tehlikesi vardır.
- ▶ **Elektrikli el aletlerinde sadece bunun için öngörülen aküler kullanılmalıdır.** Başka akülerin kullanılması yaralanmalara ve yanma tehlikelerine yol açabilir.
- ▶ **Kullanılmayan aküleri, kontakların köprülmesine sebep olabilecek ataçlar, madeni paralar, anahtarlar, çiviler, vidalar veya diğer küçük metal cisimlerden uzak tutunuz.** Akü kontakları arasındaki kısa devre yanmalara veya alev oluşumuna sebep olabilir.



- ▶ **Yanlış kullanımda aküden sıvı çıkabilir. Bunlar ile teması önleyiniz. Yanlışlıkla temasta su ile durulayınız. Sıvı gözlere temas ederse ayrıca doktor yardımı isteyiniz.** Dışarı akan akü sıvısı cilt tahrişine ve yanmalarına yol açabilir.
- ▶ **Hasarlı veya değiştirilmiş aküleri kullanmayınız.** Hasarlı veya değiştirilmiş aküler öngörülemez şekilde yangın, patlama veya yaralanma tehlikesi içeren tutumlara neden olabilir.
- ▶ **Aküler açık ateş yakınına koymayınız veya yüksek sıcaklıklara maruz bırakmayınız.** Açık ateş veya 130°C'nin (265°F) üzerinde sıcaklıklar patlama tehlikesine neden olabilir.
- ▶ **Tüm şarj talimatlarına uyunuz ve aküyü veya akülü aleti kullanım kılavuzunda öngörülen sıcaklık aralığının dışında şarj etmeyiniz.** Hatalı şarj veya öngörülen sıcaklık aralığının dışındaki şarj işlemleri akünün zarar görmesine ve yangın tehlikesine neden olabilir.

Servis

- ▶ **Elektrikli el aletinizi sadece kalifiye uzman personele ve sadece orijinal yedek parçalar ile tamir ettiriniz.** Böylece aletin güvenliğinin korunduğundan emin olunur.
- ▶ **Hasarlı akülere bakım yapmayınız.** Akülere yönelik tüm bakım çalışmaları sadece üretici veya yetkili müşteri hizmetleri tarafından yapılmalıdır.

2.2 Vidalama makinesi ek güvenlik uyarıları

Kişilerin güvenliği

- ▶ Ürünü sadece teknik açıdan sorunsuz durumdakten kullanınız.
- ▶ Alette hiç bir zaman manipülasyonlar veya değişiklikler yapmayınız.
- ▶ Alette birlikte verilen ek tutamakları kullanınız. Kontrol kaybı yaralanmalara yol açabilir.
- ▶ Aleti, her zaman iki elinizle öngörülen tutamaklardan sıkıca tutunuz. Tutamakları kuru ve temiz tutunuz.
- ▶ Kullandığınız aletin gizli elektrik hatlarına temas edebileceği yerlerde çalışıyorsanız ek aleti izolasyonlu tutamaklardan tutunuz. Elektrik ileten bir hat ile temasta metal parçalar da gerilim altında kalır ve elektrik çarpmasına neden olabilir.
- ▶ Dönen parçalara temas etmekten kaçınınız - Yaralanma tehlikesi!
- ▶ Aletin kullanımını sırasında uygun bir koruyucu gözlük, koruyucu kask, kulaklık, koruyucu eldiven ve hafif solunum koruma maskesi takınız.
- ▶ Matkap ucu değişimi sırasında koruyucu eldiven takınız. Ek alete takılan uçlara dokunmak kesik ve yanık türünde yaralanmalara yol açabilir.
- ▶ Koruyucu gözlük kullanınız. Etrafa sıçrayan malzeme vücudu ve gözleri yaralayabilir.
- ▶ Çalışmaya başlamadan önce çalışma sırasında ortaya çıkan tozun tehlike sınıfını öğreniniz. Ülkenizdeki tozdan koruma yönergelerine uygun bir resmi koruma sınıfına sahip toz emme tertibatı kullanınız. Kurşun içeren boyalar gibi malzemelerin tozu, bazı ahşap türleri, kuartz içeren beton / duvar / taşlar, mineraller ve metaller sağlığa zarar verebilir.
- ▶ Çalışma yerinin iyi havalandırmasını sağlayınız ve gerektiği durumlarda ilgili toz için uygun olan bir maske kullanınız. Tozlara dokunulması veya tozların solunması, kullanıcıda veya yakınında bulunan kişilerde alerjik reaksiyonlara ve/veya solunum yolu hastalıklarına yol açabilir. Kayın veya meşe ağacı gibi belli tür tozlar özellikle ahşap işlemede ek maddelerle (kromat, ahşap koruyucu malzemeler) bağlantılı çalışıldığında kanser yapıcı olarak kabul edilir. Asbest içerikli malzemeler sadece uzman kişiler tarafından işlenmelidir.
- ▶ Parmaklarınızdaki kan dolaşımının daha iyi olması için çalışma molaları veriniz ve parmak egzersizleri yapınız. Uzun süreli çalışmalarda titreşimden dolayı parmaklar, eller veya bileklerdeki kan damarlarında veya sinir sisteminde rahatsızlıklar oluşabilir.

Elektrik güvenliği

- ▶ Çalışmaya başlamadan önce çalışma alanında üzeri kapatılmış elektrik kablosu, gaz ve su borusu bulunup bulunmadığını kontrol ediniz. Bir elektrik hattına kazara zarar verilmesi halinde, aletin dışındaki metal parçalar elektrik çarpmasına neden olabilir.

Elektrikli el aletleri ile dikkatli çalışılması ve aletin doğru kullanılması

- ▶ Takımın bloke olması halinde, elektrikli el aletini derhal kapatınız. Alet yana doğru kayabilir.
- ▶ Yere koymadan önce elektrikli el aletinin tamamen durmasını bekleyiniz.

2.3 Akülü aletlerin özenli çalıştırılması ve kullanımı

- ▶ Lityum İyon akülerin taşıma, depolama ve kullanımına yönelik özel talimatları dikkate alınız.
- ▶ Aküler, yüksek sıcaklıklarda, doğrudan güneş ışığından ve ateşten uzak tutulmalıdır.
- ▶ Aküler parçalarına ayrılmalı, ezilmemeli, 80°C üzerine ısıtılmamalı veya yakılmamalıdır.
- ▶ Darbe almış, bir metreden daha yüksek bir yerden düşmüş veya başka bir şekilde hasar görmüş aküleri kullanmayınız veya şarj etmeyiniz. Bu durumda her zaman **Hilti servisi** ile irtibat kurunuz.



- Akü tutulamayacak kadar sıcaksa arızalı olabilir. Ürünü yanıcı malzemelerden yeterli bir uzaklıkta, gözlemleyebileceğiniz yanmaz bir zemin üzerine koyunuz ve soğuması için bırakınız. Bu durumda her zaman **Hilti servisi** ile irtibat kurunuz.

3 Tanımlama

3.1 Ürüne genel bakış



- ① 3/4" Geçiş deliği bulunan dıştan dörtgen
- ② Çalıştırma kilidi olan sağa/sola dönüş deęiş-tirme şalteri
- ③ Kumanda şalteri
- ④ Tutamak
- ⑤ Çalışma alanı aydınlatması
- ⑥ Kemer kancası (opsiyonel)
- ⑦ Akü
- ⑧ Şarj durumu ve hata göstergesi (Lityum iyon akü)
- ⑨ "Şarj durumu göstergesinin devreye alın-ması" ilave fonksiyonuna sahip kilit açma düğmesi



3.2 Usulüne uygun kullanım

Tanımlanan ürün, elle kullanılan, aküyle çalışan bir darbeli vidalama makinesidir. Makine civata somunlarının, saplamaların, dübellerin ve ahşap civatalarının sıkılması ve sökülmesi için uygundur. Alet bağlantı yeri, geçiş deliği bulunan bir dıştan dörtgen üzerinden gerçekleşir.

Darbeli vidalama makinesi sadece kesin/özel bir tork gerektirmeyen uygulamalarda kullanılabilir. Aksi takdirde aşırı devir ile civata veya işlenen parçanın hasar görme tehlikesi söz konusudur.

- Bu ürün için sadece B 22 tip serisi **Hilti** Lityum İyon aküler kullanılmalıdır.
- Bu aküler için sadece C4/36 serisi **Hilti** şarj cihazları kullanınız.

3.3 Teslimat kapsamı

Darbeli vidalama makinesi, kullanım kılavuzu.



Güvenli çalışma için sadece orijinal yedek parçalar ve sarf malzemeleri kullanınız. Tarafımızdan onaylanmış, yedek parçaları, aksesuarları ve sarf malzemelerini **Hilti Store** veya adresinde bulabilirsiniz. www.hilti.group | USA: www.hilti.com

3.4 Lityum İyon akülerin göstergesi

Lityum İyon akünün şarj durumu ve aletteki arızalar, Lityum İyon akünüzün göstergesi vasıtasıyla görüntülenir. Lityum İyon akülerin şarj durumu, her iki kilit açma tuşuna hafifçe basarak görüntülenebilir.



Durum	Anlamı
4 LED yanar.	Şarj durumu: % 75 ile %100 arası
3 LED yanar.	Şarj durumu: % 50 ile %75'e kadar
2 LED yanar.	Şarj durumu: % 25 ile %50'e kadar
1 LED yanar.	Şarj durumu: % 10 ile %25 arası
1 LED yanıp sönüyor, alet çalışmaya hazır.	Şarj durumu: < % 10
1 LED yanıp sönüyor, alet çalışmaya hazır değil.	Akü aşırı ısınmış.
4 LED yanıp sönüyor, alet çalışmaya hazır değil.	Alet aşırı yüklü veya aşırı ısınmış.

i Kumanda şalterine basılıken ve kumanda şalteri bırakıldıktan sonra 5 saniye içinde şarj durumu sorgusu yapmak mümkün değildir. Akü göstergesinin LED'leri yanıp söndüğünde lütfen Arızalar bölümündeki uyarıları dikkate alınız.

4 Teknik veriler

4.1 Darbeli vidalama makinesi

Nominal gerilim	21,6 V _{DC}
EPTA Prosedürü 01 uyarınca ağırlık	3,6 kg
Ölçüm rölanti devir sayısı	1.400 dev/dak
Darbe sıklığı	2.200/dak
İşletim sırasındaki ortam sıcaklığı	-17 °C ... 60 °C
Depolama sıcaklığı	-20 °C ... 70 °C

4.2 Akü

Akü çalışma gerilimi	21,6 V
İşletim sırasındaki ortam sıcaklığı	-17 °C ... 60 °C
Depolama sıcaklığı	-20 °C ... 40 °C
Şarj başlangıcında akü sıcaklığı	-10 °C ... 45 °C

4.3 EN 60745 uyarınca ses bilgisi ve titreşim değerleri

Bu talimatlarda belirtilen ses basıncı ve titreşim değerleri, ilgili normlara uygun bir ölçüm metodu ile ölçülmüştür ve elektrikli el aletlerinin birbirleri ile karşılaştırılması için kullanılabilir. Zorlanmaların geçici olarak değerlendirilmesine de uygundur. Belirtilen değerler, elektrikli el aletinin ana kullanım alanlarını temsil eder. Elektrikli el aletinin, farklı ek aletlerle veya yetersiz bakım yapılmış şekilde kullanılması durumunda, veriler sapma gösterebilir. Bu durum, toplam çalışma süresi boyunca zorlanmayı belirgin şekilde yükseltebilir. Doğru bir zorlanma değerlendirmesi için aletin kapatıldığı veya çalışır konumda olduğu ve ayrıca kullanımda olmadığı zamanlar da dikkate alınmalıdır. Bu durum, toplam çalışma süresi boyunca zorlanmayı belirgin şekilde azaltabilir. Kullanıcıyı ses ve/veya titreşimin etkilerinden koruyacak ek güvenlik önlemleri belirleyiniz, örneğin: Elektrikli el aletinin ve ek aletlerin bakımının yapılması, ellerin sıcak tutulması, iş akışlarının düzenlenmesi.

Ses emisyonu değerleri

Emisyon ses basıncı seviyesi (L _{pA})	98,5 dB(A)
Ses basıncı seviyesi için emniyetsizlik (K _{pA})	3 dB(A)
Ses gücü seviyesi (L _{WA})	109,5 dB(A)
Ses gücü seviyesi için emniyetsizlik (K _{WA})	3 dB(A)

Toplam titreşim değerleri

İzin verilen maksimum boyuttaki civataları ve somunları sıkma için titreşim emisyon değeri (a _h)	7 m/sn ²
Emniyetsizlik (K)	1,5 m/sn ²



5 Çalışma hazırlığı

5.1 Akünün şarj edilmesi

1. Şarj etmeden önce şarj cihazının kullanım kılavuzunu okuyunuz.
2. Akü ve şarj cihazının kontaklarının temiz ve kuru olmasına dikkat ediniz.
3. Aküyü izin verilen şarj cihazında şarj ediniz.

5.2 Akünün yerleştirilmesi

DİKKAT

Yaralanma tehlikesi kısa devre veya akünün düşmesi nedeniyle!

- ▶ Aküyü yerleştirmeden önce, akü kontaklarında ve ürün içindeki kontaklarda yabancı cisim bulunmadığından emin olunuz.
 - ▶ Akünün her zaman tam oturduğundan emin olunuz.
1. İlk kullanım öncesinde akü tamamen şarj edilmelidir.
 2. Aküyü, duyulur şekilde yerine oturana kadar cihaz tutucusuna bastırınız.
 3. Akünün alette emniyetli bir şekilde yerleşip yerleşmediğini kontrol ediniz.

5.3 Akünün çıkartılması

1. Akünün kilit açma tuşlarına basınız.
2. Aküyü alet tutucudan çekiniz.

5.4 Lokma (alet) montajı

DİKKAT

Yaralanma tehlikesi Yanlış alet nedeniyle!

- ▶ Sadece kilitleme olanağı bulunan aletler kullanınız.
- ▶ Hasarlı veya aşınmış aletleri kullanmayınız.

DİKKAT

Yaralanma tehlikesi aşınmış veya hasarlı emniyet segmanı nedeniyle

- ▶ Aşınmış veya hasarlı bir emniyet segmanını kullanmayınız.

1. Sağa/sola dönüş değiştirme şalterini orta konuma getiriniz veya aküyü aletten ayırınız.
2. Lokmayı, alettaki tahrik dörtgen parçası üzerine yerleştiriniz.



Somunu hizalayarak, somun yuvasındaki delik ile dörtgen tahrik parçasındaki deliği hizalayınız.

3. Aşağıdaki koşul yerine getirildiğinde bu işlemi de ek olarak yürütünüz:

Koşullar: O-ring ve kilitleme pimini kullanırken.

- ▶ Lokma yuvasından o-ring'i çıkartınız. Kilitleme pimini lokma yuvasına ve dörtgen tahrik parçasına takınız. Ardından o-ringi tekrar segman oluğuna yerleştiriniz.

4. Aşağıdaki koşul yerine getirildiğinde bu işlemi de ek olarak yürütünüz:

Koşullar: Emniyet segmanı kullanırken.

- ▶ Emniyet segmanını lokmaya takınız.

5.5 Lokma (alet) demontajı

1. Sağa/sola dönüş değiştirme şalterini orta konuma getiriniz veya aküyü aletten ayırınız.
2. Emniyet segmanını veya O-ringi kilitleme pimi ile birlikte somundan sökünüz.
3. Lokmayı alettaki dörtgen tahrik parçasından çıkartınız.



5.6 Kemer kancasının takılması (opsiyonel) 4

İKAZ

Yaralanma tehlikesi Düşen alet nedeniyle tehlike.

- ▶ Aletin düşmesi, size veya etrafınızdakilere zarar verebilir. Çalışmaya başlamadan önce kemer halkasının emniyetli bir şekilde sabitlenip sabitlenmediğini kontrol ediniz.



Kemer kancası ile aleti vücuda bitişik şekilde kemerden sabitleyebilirsiniz. Kemer kancası, sağda veya solda taşıma için monte edilebilir.

1. Aküyü çıkarınız. → Sayfa 134
2. Kemer kancasını, ürünün ayağındaki öngörülen deliğe takınız.
3. Kemer kancasını iki vida ile sabitleyiniz.

5.7 Hilti düşme emniyeti montajı (opsiyonel) 5

DİKKAT

Ürünün ve/veya düşme hattının hasar görmesi. Usulüne uygun olmayan kullanım nedeniyle üründe ve/veya düşme hattında hasarlar oluşabilir.

- ▶ Düşme hattı olarak metal zincirler kullanılmamalıdır. 2,0 m (6 ft)'den uzun düşme halatları kullanmayınız.



Hasarların önlenmesi için yüksek pozisyonlardaki çalışmalarda Hilti düşme emniyetinin kullanılması önerilir.

Düşme emniyeti tutma halatlarının/tutma bantlarının sabitlenmesini mümkün kılmaktadır.

Ürün ile çalışırken, yüksek pozisyonlardaki çalışmalar için geçerli ulusal yönetmelikler mutlaka dikkate alınmalıdır.

1. Aküyü çıkarınız. → Sayfa 134
2. Düşme emniyetinin her iki tutamağını alet ayağının her iki tarafında bulunan yivlere geçiriniz.
3. Düşme emniyetini ilgili civatalar ile sabitleyiniz.
4. Aküyü yerleştiriniz. → Sayfa 134

6 Çalışma

6.1 Sağa/Sola doğru çalışma ayarı 6



Sağa/sola dönüş değiştirme şalteriyle orta konumda iken devreye alma kilididir.

- ▶ Sağa/sola dönüş değiştirme şalteriyle sağa veya sola doğru çalıştırmayı ayarlayınız.

6.2 Açma

- ▶ Kumanda şalterine basınız.
 - ↳ Devir sayısı, baskı derinliği üzerinden ayarlanır.



Ürünü çok fazla zorlamayınız. Ürünün yoğun ısı oluştuğunda birkaç dakika soğumaya bırakınız.

6.3 Kapatılması

- ▶ Kumanda şalterini bırakınız.



7 Bakım ve onarım

İKAZ

Takılı aküden dolayı yaralanma tehlikesi !

- Tüm bakım ve onarım çalışmalarından önce her zaman aküyü çıkarınız!

Alet bakımı

- Yapışmış olan kir dikkatlice çıkarılmalıdır.
- Havalandırma deliklerini kuru bir fırça ile dikkatlice temizleyiniz.
- Gövde sadece hafif nemli bir bezle temizlenmelidir. Plastik parçalara yapışabileceğinden silikon içerikli bakım maddeleri kullanılmamalıdır.

Lityum İyon akülerin bakımı

- Akü temiz ve yağ ve gresten uzak tutulmalıdır.
- Gövde sadece hafif nemli bir bezle temizlenmelidir. Plastik parçalara yapışabileceğinden silikon içerikli bakım maddeleri kullanılmamalıdır.
- Aletin içine nem girişi engellenmelidir.

Bakım

- Görünür tüm parçalarda hasar olup olmadığı ve kumanda elemanlarının sorunsuz şekilde çalıştığı kontrol edilmelidir.
- Hasar ve/veya fonksiyon arızaları durumunda ürün çalıştırılmamalıdır. Derhal **Hilti** servisi tarafından onarılmalıdır.
- Bakım ve onarım çalışmalarından sonra tüm koruma tertibatları yerleştirilmeli ve fonksiyonları kontrol edilmelidir.



Güvenli çalışma için sadece orijinal yedek parçalar ve sarf malzemeleri kullanınız. Tarafımızdan onaylanmış, yedek parçaları, aksesuarları ve sarf malzemelerini **Hilti Store** veya adresinde bulabilirsiniz. www.hilti.group.

8 Akü aletlerinin taşınması ve depolanması

Taşıma

DİKKAT

Taşıma sırasında aletin istem dışı çalışması !

- Ürünlerinizi her zaman aküler takılı olmadan taşıyınız!
- Akülerin çıkarılması.
- Aküler kesinlikle sıkıca bağlanmamış koruma ile taşınmamalıdır.
- Uzun süren depolama sonrası kullanmadan önce aletin ve akülerin hasar görmüş olup olmadığını kontrol ediniz.

Depolama

DİKKAT

Arızalı veya akan aküler nedeniyle beklenmeyen hasar oluşumu !

- Ürünlerinizi her zaman aküleri yerleştirmeden depolayınız!
- Aleti ve aküleri mümkün olduğunca soğuk ve kuru yerde depolayınız.
- Aküleri kesinlikle güneşte, sıcakta veya cam levhaların arkasında depolamayınız.
- Aleti ve aküleri çocukların ve yetki verilmeyen kişilerin ulaşamayacağı yerlerde depolayınız.
- Uzun süren depolama sonrası kullanmadan önce aletin ve akülerin hasar görmüş olup olmadığını kontrol ediniz.

9 Arıza durumunda yardım

Bu tabloda listelenmemiş veya kendi başınıza gideremediğiniz arızalarda lütfen yetkili **Hilti** servisimiz ile irtibat kurunuz.



9.1 Arıza durumunda yardım

Bu tabloda listelenmemiş veya kendi başınıza gideremediğiniz arızalarda lütfen yetkili **Hilti** servisimiz ile irtibat kurunuz.

Arıza	Olası sebepler	Çözüm
Alet çalışmıyor.	1 LED yanıp sönüyor: Akü boş.	► Akü çıkarılmalı ve şarj edilmelidir.
	Akü usulüne uygun yerleştirilmemiş.	► Akü duyulur biçimde yerine oturmalıdır. Akü yeniden çıkarılmalı ve yeniden yerleştirilmelidir.
	1 LED yanıp sönüyor: Akü çok sıcak veya çok soğuk.	► Akü çalışma sıcaklığına ısıtılmalıdır/soğutulmalıdır.
	4 LED yanıp sönüyor: Alet kısa süreli olarak aşırı yüklenmiş	► Kumanda şalterini bırakınız ve şaltare sonra yeniden basınız.
Kumanda şalterine basılmıyor.	Sağa/sola dönüş değiştirme şalteri orta konumda.	► Sağa/sola dönüş değiştirme şalterini sağa veya sola doğru bastırınız.
Devir sayısı çok düşüyor.	Akü deşarj olmuş.	► Akü çıkarılmalı ve şarj edilmelidir.
Akü duyulur şekilde yerine oturmuyor.	Akünün kilit tırnakları kirlenmiş.	► Kilit dilini temizleyiniz.
Akü normalden daha hızlı boşalıyor.	Çok düşük ortam sıcaklığı.	► Aküyü yavaşça oda sıcaklığına ısıtınız.

10 İmha

Hilti aletleri yüksek oranda geri dönüşümlü malzemelerden üretilmiştir. Geri dönüşüm için gerekli koşul, usulüne uygun malzeme ayrımıdır. Çoğu ülkede **Hilti**, eski aletlerini yeniden değerlendirmek üzere geri alır. Bu konuda **Hilti** müşteri hizmetlerinden veya satış temsilcinizden bilgi alabilirsiniz.

Akülerin imha edilmesi

Akülerin usulüne uygun imha edilmemesi halinde, dışarı çıkan gaz ve sıvılar nedeniyle sağlık sorunları oluşabilir.

- Hasar görmüş aküleri hiç bir şekilde göndermeyiniz!
- Kısa devreleri önlemek için, akünün bağlantılarını iletken olmayan bir malzeme ile kapatınız.
- Aküleri, çocukların ellerine geçmeyecek şekilde imha ediniz.
- Aküyü size en yakın **Hilti Store**'da imha ediniz veya imha etmek için yetkili şirketinize başvurunuz.



- Elektrikli el aletlerini, elektronik cihazları ve aküleri evdeki çöplere atmayınız!

11 RoHS (Tehlikeli madde kullanımını kısıtlama direktifi)

Aşağıdaki linkte tehlikeli maddeler tablosunu bulabilirsiniz: qr.hilti.com/r4838535.

RoHS tablosunun linkini bu dokümanın sonunda QR kodu olarak bulabilirsiniz.

12 Üretici garantisi

- Garanti koşullarına ilişkin sorularınız için lütfen yerel **Hilti** iş ortağınıza başvurunuz.



2113750

Türkçe

137

1.1 حول هذا المستند

- اقرأ هذه المستندات بالكامل قبل التشغيل. يعتبر هذا شرطا للعمل بشكل آمن والاستخدام بدون اختلالات.
- تراعى إرشادات الأمان والإرشادات التحذيرية الواردة في هذا المستند وعلى الجهاز.
- احتفظ بدليل الاستعمال دائما مع المنتج، ولا تعطي الجهاز لآخرين إلا مرفقا بهذا الدليل.

2.1 شرح العلامات

1.2.1 إرشادات تحذيرية

تنبه الإرشادات التحذيرية إلى الأخطار الناشئة عند التعامل مع الجهاز. يتم استخدام الكلمات الدلالية التالية:

خطر

خطر!

تشير لخطر مباشر يؤدي لإصابات جسدية خطيرة أو إلى الوفاة.

تحذير

تحذير!

تشير لخطر محتمل قد يؤدي لإصابات جسدية خطيرة أو إلى الوفاة.

احترس

احترس!

تشير لموقف خطر محتمل يمكن أن يؤدي لإصابات جسدية خفيفة أو أضرار مادية.

2.2.1 الرموز في المستند

يتم استخدام الرموز التالية في هذا المستند:

قبل الاستخدام اقرأ دليل الاستعمال	
إرشادات الاستخدام ومعلومات أخرى مفيدة	
التعامل مع مواد قابلة لإعادة التدوير	
لا تتخلص من الأجهزة الكهربائية البطاريات ضمن القمامة المنزلية	

3.2.1 الرموز في الصور

تستخدم الرموز التالية في الرسوم التوضيحية:

تشير هذه الأعداد إلى الصور المعنية بمطلع هذا الدليل	
ترقيم الصور يمثل ترتيب خطوات العمل في الصور، وقد يختلف عن ترقيم خطوات العمل في النص	3
يتم استخدام أرقام المواضع في صورة العرض العام وهي تشير إلى أرقام تعليق الصورة في فصل عرض عام للمنتج	
ينبغي أن تسترعي هذه العلامة اهتماما خاصا عند التعامل مع المنتج.	

3.1 الرموز المرتبطة بالمنتج

1.3.1 الرموز على المنتج

قد تكون الرموز التالية مستخدمة على المنتج:



نقل البيانات لاسلكيا	
بطاريات أيونات الليثيوم Hilti المستخدمة من النوع. احرص على مراعاة التعليمات الواردة في الفصل الاستخدام المطابق للتعليمات.	
فئة الحماية II (عزل مزدوج)	
عدد اللفات الاسمي في الوضع المحايد	n ₀
عدد اللفات في الدقيقة	/min

4.1 معلومات المنتج

منتجات **Hilti** مصممة للمستخدمين المحترفين ويقصر استعمالها وصيانتها وإصلاحها على الأشخاص المعتمدين والمدربين جيدا. هؤلاء الأشخاص يجب أن يكونوا قد تلقوا تدريباً خاصاً على الأخطار الطارئة. قد يتسبب الجهاز وأدواته المساعدة في حدوث أخطار إذا تم التعامل معها بشكل غير سليم فنياً من قبل أشخاص غير مدربين أو تم استخدامها بشكل غير مطابق للتعليمات.

يوجد مسمى الطراز والرقم التسلسلي على لوحة الصنع. انقل الرقم التسلسلي في الجدول التالي. ستحتاج إلى بيانات المنتج في حالة الاستفسارات الموجهة إلى ممثلينا أو مركز الخدمة.

بيانات المنتج

المفك الدقاق العامل ببطارية	SIW 9-A22
الجيل:	01
الرقم التسلسلي:	

5.1 بيان المطابقة

نقر على مسؤوليتنا الفردية بأن المنتج المشروع هنا متوافق مع التشريعات والمواصفات المعمول بها. تجد صورة لبيان المطابقة في نهاية هذا المستند.

المستندات الفنية محفوظة هنا:

Hilti Entwicklungsgesellschaft mbH | Zulassung Geräte | Hiltistraße 6 | 86916 Kaufering, DE

2 السلامة

1.2 إرشادات السلامة العامة المتعلقة بالأدوات الكهربائية

⚠ تحذير احرص على قراءة جميع إرشادات السلامة، التوجيهات، الصور التوضيحية والمواصفات الفنية المرفقة مع هذه الأداة الكهربائية. أي تقصير أو إهمال في الالتزام بالتعليمات التالية قد يتسبب في حدوث صعق كهربائي، نشوب حريق و/أو وقوع إصابات خطيرة.

احتفظ بجميع مستندات إرشادات السلامة والتعليمات لاستخدامها عند الحاجة إليها فيما بعد.

يقصد بمصطلح «الأداة الكهربائية» المذكور في إرشادات السلامة الأدوات الكهربائية المشغلة بالكهرباء (باستخدام كابل الكهرباء) أو الأدوات الكهربائية المشغلة ببطاريات (بدون كابل الكهرباء).

سلامة مكان العمل

حافظ على نطاق عملك نظيفاً ومضاءً بشكل جيد. الفوضى أو أماكن العمل غير المضاءة يمكن أن تؤدي لوقوع حوادث.

لا تعمل بالأداة الكهربائية في محيط معرض لخطر الانفجار يتواجد به سوائل أو غازات أو أنواع غبار قابلة للاشتعال. الأدوات الكهربائية تولد شرراً يمكن أن يؤدي لإشعال الغبار والأبخرة.

احرص على إبعاد الأطفال والأشخاص الآخرين أثناء استخدام الأداة الكهربائية. في حالة انصراف انتباهك قد تفقد السيطرة على الجهاز.

السلامة الكهربائية

يجب أن يكون قابس توصيل الأداة الكهربائية متلائماً مع المقبس. لا يجوز تعديل القابس بأي حال من الأحوال. لا تستخدم قوايس مهايأة مع أدوات كهربائية ذات وصلة أرضي محمية. القوايس غير المعدلة والمقابس المتلائمة تقلل من خطر حدوث صدمة كهربائية.

تجنب حدوث تلامس للجسم مع أسطح مؤرضة مثل الأسطح الخاصة بالمواسير وأجهزة التدفئة والمواقد والثلاجات. ينشأ خطر متزايد من حدوث صدمة كهربائية عندما يكون جسمك متصلاً بالأرض.



2113750

أبعد الأدوات الكهربائية عن الأمطار أو البلب. تسرب الماء إلى داخل الأداة الكهربائيّة يزيد من خطر حدوث صدمة كهربائيّة.

لا تستخدم كابل التوصيل لحمل الأداة الكهربائيّة أو تعليقها أو لسحب القابس من المقبس. احتفظ بكابل التوصيل بعيدا عن السخونة والزيت والمواف الحادة والأجزاء المتحركة. كابلات التوصيل التالفة أو المتشابكة تزيد من خطر حدوث صعق كهربائي.

عندما تعمل بأداة كهربائيّة في مكان مكشوف، فلا تستخدم سوى كابلات الإطالة المناسبة للعمل في النطاق الخارجي. استخدام كابل إطالة مناسب للعمل في النطاق الخارجي يقلل من خطر حدوث صعق كهربائي.

إذا تعذر تجنب تشغيل الأداة الكهربائيّة في محيط رطب، فاستخدم مفتاح حماية من تسرب التيار. استخدام مفتاح الحماية من تسرب التيار يقلل خطر حدوث صدمة كهربائيّة.

سلامة الأشخاص

كن يقظا وانتبه لما تفعل وتعامل مع الأداة الكهربائيّة بتعقل عند العمل بها. لا تستخدم الأداة الكهربائيّة عندما تكون متعبا أو تحت تأثير المخدرات أو الكحوليات أو العقاقير. فقد يتسبب عدم الانتباه للحظة واحدة أثناء الاستخدام في حدوث إصابات بالغة.

ارتد تجهيزات وقاية شخصية وارتد دائما نظارة واقية. ارتدأ تجهيزات وقاية شخصية، مثل قناع الوقاية من الغبار وأحذية الأمان المضادة للانزلاق وخوذة الوقاية أو واقى السمع، تبعا لنوع واستخدام الأداة الكهربائيّة، يقلل من خطر الإصابات.

تجنب التشغيل بشكل غير مقصود. تأكد أن الأداة الكهربائيّة مطفأة قبل توصيلها بالكهرباء و/أو بالبطارية وقبل رفعها أو حملها. إذا كان إصبعك على المفتاح عند حمل الأداة الكهربائيّة أو كان الجهاز في وضع التشغيل عند التوصيل بالكهرباء، فقد يؤدي ذلك لوقوع حوادث.

أبعد أدوات الضبط أو مفاتيح ربط البراغي قبل تشغيل الأداة الكهربائيّة. الأداة أو المفتاح المتواجد في جزء دوار من الجهاز يمكن أن يؤدي لحدوث إصابات.

تجنب اتخاذ وضع غير طبيعي للجسم. احرص على أن تكون واقفا بأمان وحافظ على توازنك في جميع الأوقات. من خلال ذلك تستطيع السيطرة على الأداة الكهربائيّة بشكل أفضل في المواقف المفاجئة.

ارتد ملابس مناسبة. لا ترتد ملابس فضفاضة أو حلي. احرص على أن يكون الشعر والملابس والقفازات بعيدة عن الأجزاء المتحركة. الملابس الفضفاضة أو الحلي أو الشعر الطويل يمكن أن تشبك في الأجزاء المتحركة.

إذا أمكن تركيب تجهيزات شطف وتجميع الغبار، فتأكد أنها موصلة ومستخدمة بشكل سليم. استخدام تجهيزة شطف الغبار يمكن أن يقلل الأخطار الناتجة عن الغبار.

لا تعتقد بأنك في مأمن عن الخطر ولا تتجاهل تشريعات السلامة المعنية للأدوات الكهربائيّة، حتى وإن كنت على دراية بالأداة الكهربائيّة بعد تكرار استخدامها. التعامل مع الجهاز بدون حذر قد يؤدي إلى وقوع إصابات بالغة في جزء من الثانية.

استخدام الأداة الكهربائيّة والتعامل معها

لا تفرط في التحميل على الجهاز. استخدم الأداة الكهربائيّة المناسبة للعمل الذي تقوم به. استخدام الأداة الكهربائيّة المناسبة يتيح لك العمل بشكل أفضل وأكثر أمانا في نطاق العمل المقرر.

لا تستخدم أداة كهربائيّة ذات مفتاح تالف. الأداة الكهربائيّة التي لم يعد يمكن تشغيلها أو إطفائها تمثل خطورة ويجب إصلاحها.

اسحب القابس من المقبس و/أو اخلع البطارية القابلة للخلع من الجهاز قبل إجراء عمليات الضبط، أو استبدال أجزاء الملحقات أو عند ترك الجهاز. هذا الإجراء الوقائي يمنع بدء تشغيل الأداة الكهربائيّة دون قصد.

احتفظ بالأدوات الكهربائيّة غير المستخدمة بعيدا عن متناول الأطفال. لا تسمح باستخدام الجهاز من قبل أشخاص ليسوا على دراية به أو لم يقرأوا هذه التعليمات. الأدوات الكهربائيّة خطيرة في حالة استخدامها من قبل أشخاص ليست لديهم الخبرة الواجبة.

اعتني جيدا بالأدوات الكهربائيّة والملحقات. افحص الأجزاء المتحركة من حيث أداؤها لوظيفتها بدون مشاكل وعدم انحصارها وافحصها من حيث وجود أجزاء مكسورة أو متعرضة للضرر يمكن أن تؤثر سلبا على وظيفة الأداة الكهربائيّة. اعمل على إصلاح الأجزاء التالفة قبل استخدام الجهاز. الكثير من الحوادث مصدرها الأدوات الكهربائيّة التي تم صيانتها بشكل رديء.

حافظ على أدوات القطع حادة ونظيفة. تتميز أدوات القطع ذات حواف القطع المادة المعتنى بها بدقة بأنها أقل عرضة للتعثّر وأسهل في التعامل.



استخدم الأداة الكهربائية والملحقات وأدوات العمل وخلافه طبقاً لهذه التعليمات. احرص في هذه الأثناء على مراعاة اشتراطات العمل والمهمة المراد تنفيذها. استخدام الأدوات الكهربائية في تطبيقات غير تلك المقررة لها يمكن أن يؤدي لمواقف خطيرة.

حافظ على المقابض ومواضع المسك في حالة جافة ونظيفة وخالية من الزيت والشحم. المقابض ومواضع المسك الانزلاقية تحول دون استعمال الأداة الكهربائية والتحكم بها بشكل آمن في المواقف غير المتوقعة.

استخدام الأداة العاملة بالبطارية والتعامل معها

لا تشحن البطارية إلا في أجهزة شحن موصى بها من قبل الجهة الصانعة. بالنسبة لجهاز الشحن المناسب ل نوع معين من البطاريات، ينشأ خطر المريق عند استخدامه مع بطاريات أخرى.

لا تضع في الأدوات الكهربائية سوى البطاريات المخصصة لها. استخدام بطاريات أخرى يمكن أن يؤدي لوقوع إصابات وخطر المريق.

أبعد البطارية غير المستخدمة عن مشابك الورق وقطع النقود المعدنية والمفاتيح والمسامير والبراغي والأشياء المعدنية الصغيرة الأخرى التي يمكن أن تتسبب في توصيل الملامسين لبعضهما. حدوث قفلة كهربائية بين أطراف توصيل البطارية يمكن أن ينتج عنه حدوث حروق أو نشوب حريق.

عند الاستخدام بشكل خاطئ يمكن أن يتسرب سائل من البطارية. تجنب ملامسته. اشطفه بالماء في حالة ملامسته عن طريق الخطأ. إذا وصل السائل للعينين، فتوجه للطبيب علاوة على ذلك. سائل البطارية المتسرب يمكن أن يؤدي لتبجح البشرة أو حدوث حروق.

لا تستخدم بطارية تالفة أو مختلفة. البطاريات التالفة أو المختلفة قد تتفاعل مع نفسها بشكل غير متوقع مما يؤدي لنشوب حريق أو حدوث انفجار أو وقوع إصابات.

لا تعرض البطارية للنار أو لدرجات حرارة مرتفعة للغاية. حيث قد تؤدي النار ودرجات الحرارة الزائدة عن 130 م° (265 ف°) إلى حدوث انفجار.

الترم بكافة التعليمات المعنية بالشحن، ولا تقم أبداً بشحن البطارية أو الأداة العاملة بالبطارية خارج نطاق درجة الحرارة الوارد ذكره في دليل التشغيل. الشحن بشكل خاطئ أو خارج نطاق درجة الحرارة المسموح به قد يتلف البطارية ويزيد من خطر المريق.

الخدمة

اعمل على إصلاح أداتك الكهربائية على أيدي فنيين معتمدين فقط والاقصرار على استخدام قطع الغيار الأصلية. وبذلك تتأكد من الحفاظ على سلامة الجهاز.

لا تقم أبداً بصيانة البطاريات التالفة. يجب أن تتم جميع أعمال الصيانة بمعرفة الجهة الصانعة فقط أو من خلال مراكز خدمة العملاء المعتمدين.

2.2 إرشادات السلامة الإضافية المتعلقة بالمفك الآلي

سلامة الأشخاص

اقتصر على استخدام المنتج وهو في حالة سليمة من الناحية الفنية.

لا تقم أبداً بتدخلات أو تغييرات على الجهاز.

استخدم المقابض الإضافية الموردة مع الجهاز. فقدان السيطرة يمكن أن يؤدي لوقوع إصابات.

أمسك الجهاز دائماً بيدك من المقابض المعنية. حافظ على جفاف ونظافة المقابض.

أمسك الجهاز من مواضع المسك المعزولة عند إجراء أعمال يحتمل فيها أن تتلامس أداة الشغل مع أسلاك كهربائية مخفية. حيث أن ملامسة سلك يسري فيه التيار الكهربائي يمكن أن ينقل الجهد الكهربائي للأجزاء المعدنية بالجهاز ويؤدي لحدوث صدمة كهربائية.

تجنب ملامسة الأجزاء الدوارة - خطر الإصابة!

احرص أثناء استخدام الجهاز على استعمال نظارة واقية ملائمة وخوذة حماية وواقي للسمع وقفاز واقي وكمامة خفيفة للتنفس.

ارتد قفازا وواقياً أثناء تغيير الأدوات. ملامسة أداة الشغل قد تؤدي لوقوع إصابات بجروح قطعية وإصابة بحروق.

استخدم واقياً للعينين. الشظايا المتطايرة يمكن أن تصيب الجسم والعيون.

احرص قبل بدء العمل على معرفة فئة خطر الغبار الناشئ عند إجراء العمل. استخدم شفاط غبار أعمال الإنشاءات ذي فئة حماية مصرح بها رسمياً ومطابق للتعليمات المحلية الخاصة بالحماية من الغبار. الغبار الناتج عن خامات مثل الطلاء المحتوي على الرصاص وبعض أنواع الأخشاب والخرسانة/الجران والصخور المحتوية على الكوارتز والمعادن الصخرية والمعادن هو غبار ضار بالصحة.

احرص على وجود توية جيدة لمكان العمل وارتد عند اللزوم قناع تنفس مخصص لنوعية الغبار المنبعث. ملامسته أو استنشاقه قد يسبب أعراض حساسية و/أو أمراض الجهاز التنفسي للمستخدم أو للأشخاص المتواجدين على مقربة منه. هناك أنواع معينة مسرطنة من الغبار مثل غبار خشب البلوط أو غبار خشب



الزنان، ولا سيما إذا ارتبطت هذه الأنواع بمواد إضافية لمعالجة الأخشاب (مثل الكروم ومواد حماية الأخشاب). لا يجوز التعامل مع المواد المحتوية على الأسيتوس إلا من قبل فنيين متخصصين. خذ قسطا من الراحة أثناء العمل وقم بتمازج استرخاء لسريان الدم في الأصابع بشكل أفضل. عند القيام بأعمال لفترات طويلة فقد يحدث اضطرابات في الأوعية الدموية أو الجهاز العصبي بسبب كثرة الاهتزازات على الأصابع، الأيدي أو معصم اليد.

السلامة الكهربائية

قبل بدء الأعمال افحص نطاق العمل من حيث وجود توصيلات كهرباء مغطاة أو مواسير للغاز والماء. الأجزاء المعدنية الخارجية بالجهاز يمكن أن تتسبب في صدمة كهربائية، إذا قمت دون قصد بإتلاف إحدى توصيلات التيار.

الاستخدام والتعامل بعناية مع الأدوات الكهربائية

قم بإيقاف الأداة الكهربائية على الفور، بمجرد تعرض الأداة للإعاقة. يمكن أن ينصرف الجهاز جانبا. قبل التخزين انتظر إلى أن تتوقف الأداة الكهربائية تماما.

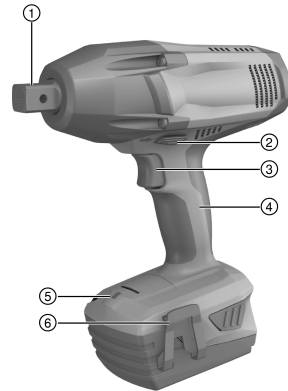
3.2 التعامل بعناية مع الأجهزة العاملة بالبطاريات واستخدامها

تراجع التعليمات الخاصة لنقل وتخزين وتشغيل بطاريات أيونات الليثيوم. أبعد البطاريات عن النار ودرجات الحرارة المرتفعة وأشعة الشمس المباشرة. لا يجوز تفكيك البطاريات أو سحقها أو وضعها في درجة حرارة أعلى من 80°م أو حرقها. لا تستخدم أو تشحن البطاريات التي تعرضت لصدمة، أو سقطت من ارتفاع يزيد على متر أو تعرضت لأية أضرار أخرى. في هذه الحالة، تواصل دائما مع خدمة Hilti. في حالة السخونة الشديدة للبطارية بحيث يتعذر الإمساك بها، فقد تكون تالفة. ضع المنتج في مكان غير قابل للاشتعال وعلى مسافة كافية من الغامات القابلة للاشتعال، وحيث يمكن مراقبته، وأتركه حتى يبرد. في هذه الحالة، تواصل دائما مع خدمة Hilti.

3 الشرح

1.3 نظرة عامة على المنتج

- ① رأس رباعي 3/4 بوصة مزود بتجويف نافذ
- ② مفتاح تحويل الدوران جهة اليمين/اليسار
- ③ مزود بموانع تشغيل
- ④ مفتاح التحكم
- ⑤ المقبض
- ⑥ لمبة إضاءة نطاق العمل
- ⑦ خطاف الحزام (تجيز اختياري)
- ⑧ البطارية
- ⑨ بيان حالة الشحن وبيان الأخطاء (بطارية أيونات الليثيوم)
- ⑩ زر تحرير ذو وظيفة إضافية لتفعيل بيان حالة الشحن



2.3 الاستخدام المطابق للتعليمات

المنتج الموضع عبارة عن مفك دقاق يعمل بالبطارية ويُستخدم باليد. وهو مصمم لربط وحل الصواميل الملولبة والمسامير والخوابير وبراعي الأخشاب. ظرف تركيب الأدوات به مقطع سداسي مجوف مقطع رباعي مزود بتجويف نافذ. يجوز فقط استخدام الملفك الدقاق في التطبيقات التي لا تتطلب عزم دوران/ خاص. وإلا فسيكون هناك خطر الدوران المفرط وتلف البرغي أو قطعة الشغل.

اقتصر على استخدام بطاريات أيونات الليثيوم Hilti من النوع B 22 مع هذا المنتج. اقتصر على استخدام أجهزة شحن Hilti من الفئة C4/36 لهذه البطاريات.

3.3 مجموعة التجهيزات الموردة

الملفك الدقاق، دليل الاستعمال

i للتشغيل الآمن اقتصر على استخدام قطع الغيار الأصلية وخامات الشغل. تجد قطع الغيار وخامات الشغل والملحقات المصرح بها من قبلنا للمنتج الخاص بك في متجر **Hilti Store** أو على موقع الإنترنت: www.hilti.com | الولايات المتحدة الأمريكية: www.hilti.com

4.3 بيان بطارية أيونات الليثيوم

يتم الإشارة إلى حالة شحن بطارية أيونات الليثيوم وإلى الاختلافات التي تحدث بالجهاز من خلال مبيان بطارية أيونات الليثيوم. يتم عرض حالة شحن بطارية أيونات الليثيوم بعد النقر على أحد زرّي تحرير البطارية.

الحالة	الاستعمال
تضيء أربع لمبات LED.	حالة الشحن: 75 % إلى 100 %
تضيء ثلاث لمبات LED.	حالة الشحن: 50 % إلى 75 %
تضيء اثنتان من لمبات LED.	حالة الشحن: 25 % إلى 50 %
تضيء لمبة LED واحدة.	حالة الشحن: 10 % إلى 25 %
تومض لمبة LED واحدة، الجهاز مستعد للتشغيل.	حالة الشحن: > 10 %
تومض لمبة LED واحدة، الجهاز غير مستعد للتشغيل.	البطارية شديدة السخونة.
تومض لمبات LED الأربع، الجهاز غير مستعد للتشغيل.	يوجد تحميل زائد على الجهاز أو الجهاز شديد السخونة.

i لا يمكن الاستعلام عن حالة شحن البطارية عند الضغط على مفتاح التحكم أو مرور 5 ثوانٍ من ترك مفتاح التحكم. في حالة وميض لمبات LED الخاصة بمبيان البطارية، يرجى مراعاة الإرشادات الواردة في فصل المساعدة في حالات الاختلافات.

4 المواصفات الفنية

1.4 المفك الدقاق

الجهد الكهربائي الاسمي	21.6 فلت تيار مستمر
الوزن طبقا لبروتوكول EPTA 01	3.6 كجم
عدد اللفات الاسمي لوضع الدوران على الفارغ	1,400 لفة/دقيقة
تردد الطرق	2,200 لفة/دقيقة
درجة الحرارة المحيطة أثناء التشغيل	-17 °م ... 60 °م
درجة حرارة التخزين	-20 °م ... 70 °م

2.4 البطارية

جهد تشغيل البطارية	21.6 فلت
درجة الحرارة المحيطة أثناء التشغيل	-17 °م ... 60 °م



20- ... 40 °م	درجة حرارة التخزين
10- ... 45 °م	درجة حرارة البطارية عند بدء الشحن

3.4 معلومات الضجيج وقيم الاهتزاز طبقا للمواصفة EN 60745

تم قياس قيم ضغط الصوت والاهتزاز الواردة في هذا الدليل طبقا لعملية قياس معايرة ويمكن الاستعانة بها في مقارنة الأدوات الكهربائية مع بعضها البعض. وهي تصلح أيضا لتقدير المخاطر بصورة مؤقتة. المواصفات الواردة تتعلق بالاستخدامات الأساسية للأداة الكهربائية. أما إذا تم استخدام الأداة الكهربائية في تطبيقات أخرى مع أدوات شغل مخالفة للمواصفات أو دون صيانة كافية، ففي هذه الحالة قد تختلف البيانات. وقد يزيد هذا من المخاطر خلال مدة العمل بالكامل بصورة واضحة. ولتقدير المخاطر تقديرا دقيقا ينبغي أيضا مراعاة الأوقات التي يتم فيها إيقاف الجهاز أو التي يكون فيها الجهاز مشغلا ولكن دون استخدام حقيقي. وقد يقلل هذا من المخاطر خلال مدة العمل بالكامل بصورة واضحة. احرص على مراعاة تدابير السلامة الإضافية لحماية المستخدم من تأثير الصوت و/أو الاهتزازات مثل: صيانة الأداة الكهربائية وأدوات العمل والحفاظ على الأيدي في حالة دافئة وتنظيم مراحل العمل.

قيم الضجيج المنبعث

98.5 ديسيبل (A)	مستوى ضغط الصوت المنبعث (L_{pA})
3 ديسيبل (A)	نسبة التفاوت لمستوى ضغط الصوت (K_{pA})
109.5 ديسيبل (A)	مستوى شدة الصوت (L_{WA})
3 ديسيبل (A)	نسبة التفاوت لمستوى شدة الصوت (K_{WA})

قيم الاهتزاز الإجمالية

7 م/ثانية ²	قيمة انبعاث الاهتزاز عند ربط البراغي والصواميل وفقا للحد الأقصى للمقاس المسموح (a_h)
1.5 م/ثانية ²	نسبة التفاوت (K)

5 التحضير للعمل

1.5 شحن البطارية

1. قبل الشحن، قم بقراءة دليل استعمال جهاز الشحن.
2. احرص على أن تكون أطراف تلامس البطارية وجهاز الشحن نظيفة وجافة.
3. قم بشحن البطارية باستخدام شاحن مصرع به.

2.5 تركيب البطارية

⚠ احترس:

خطر الإصابة من خلال قفلة كهربائية أو سقوط البطارية!

تأكد قبل تركيب البطاريات في الجهاز من عدم وجود أجسام غريبة بين أطراف توصيل البطارية والجهاز. تأكد من تثبيت البطارية بشكل صحيح دائما.

1. اشحن البطارية لآخرها تماما قبل التشغيل لأول مرة.
2. قم بتركيب البطارية في حامل الجهاز إلى أن تثبت بصوت مسموع.
3. تخلص البطارية من حيث تثبيتها في موضعها بشكل جيد.

3.5 خلع البطارية

1. اضغط على أزرار تحرير البطارية.
2. اسحب البطارية من حامل الجهاز.



4.5 تركيب اللقمة المجوفة (الأداة) 2

⚠️ احترس:

خطر الإصابة من جراء استخدام أداة خاطئة!
اقتصر على استخدام الأدوات المزودة بخاصية إحكام القفل.
لا تستخدم أدوات متآكلة أو تالفة.

⚠️ احترس:

خطر الإصابة من خلال حلقة تأمين متآكلة أو تالفة.
لا تستخدم حلقة تأمين متآكلة أو تالفة.

1. اضبط مفتاح تحويل الدوران جهة اليمين / اليسار في الوضع الأوسط أو افصل البطارية من الجهاز.
2. قم بتركيب اللقمة المجوفة على الحافة الرباعية لوحدة الإدارة الخاصة بالجهاز.

i قم بمحاذاة اللقمة المجوفة بحيث يتوافق التجويف الموجود في موضع التثبيت مع التجويف الموجود في الحافة الرباعية لوحدة الإدارة.

3. في حالة تحقق الشرط التالي، قم بتنفيذ هذا الإجراء بشكل إضافي:

الشرط: في حالة استخدام حلقة إحكام وخابور التأمين.

4. اخلع حلقة الإحكام من الحز في اللقمة المجوفة. أدخل خابور التأمين في التجويف الخاص باللقمة المجوفة والحافة الرباعية لوحدة الإدارة. بعد ذلك، قم بتركيب حلقة الإحكام في حز اللقمة المجوفة.
4. في حالة تحقق الشرط التالي، قم بتنفيذ هذا الإجراء بشكل إضافي:

الشرط: عند استخدام حلقة التأمين.

أدخل حلقة التأمين في اللقمة المجوفة.

5.5 فك اللقمة المجوفة (الأداة) 3

1. اضبط مفتاح تحويل الدوران جهة اليمين / اليسار في الوضع الأوسط أو افصل البطارية من الجهاز.
2. اخلع حلقة التأمين أو حلقة الإحكام بالإضافة إلى خابور التأمين من اللقمة المجوفة.
3. اخلع اللقمة المجوفة من الحافة الرباعية لوحدة الإدارة الخاصة بالجهاز.

6.5 تركيب خطاف الحزام (اختياري) 4

⚠️ تحذير

خطر الإصابة خطر بسبب سقوط الجهاز.
الجهاز الذي يتعرض للسقوط قد يعرضك أنت والآخرين للخطر. تأكد قبل بدء العمل أن خطاف الحزام مثبت جيداً.

i عن طريق خطاف الحزام يمكنك تثبيت الجهاز في الحزام بحيث يكون ملتصقا بالجسم. يمكن تركيب خطاف الحزام للارتداء على الجانب الأيمن واليسار.

1. اخلع البطارية. ← صفحة 144
2. أدخل خطاف الحزام في الفتحة المخصصة بقاعدة المنتج.
3. ثبت خطاف الحزام باستخدام البرغيين.

7.5 تركيب تجبيزة التأمين ضد السقوط Hilti (تجبيز اختياري) 5

⚠️ تنبيه

أضرار بالمنتج و/أو حبل الإنزال. في حالة الاستخدام غير المطابق للتعليمات فقد تلحق أضرار بالمنتج و/أو حبل الإنزال.
لا تستخدم سلاسل معدنية كحبل إنزال. لا تستخدم أحبال إنزال تزيد أطوالها على 2,0 m (6 ft).



لتجنب حدوث أضرار، ينصح عند إجراء أعمال في وضعية مرتفعة استخدام تجهيزة التأمين ضد السقوط Hilti. تتبع تجهيزة التأمين ضد السقوط تثبيت أحبال حماية/أحزمة حماية. يُراعى ضرورة الالتزام باللوائح المحلية في حالة إجراء أعمال في وضعية مرتفعة أثناء العمل باستخدام المنتج.

1. اخلع البطارية. - صفحة 144
2. قم بتمرير طرفي تجهيزة التأمين ضد السقوط داخل الفتحات الموجودة على جانبي قاعدة الجهاز.
3. قم بتثبيت تجهيزة التأمين ضد السقوط باستخدام البرغيين الخاصين بها.
4. قم بتركيب البطارية. - صفحة 144

6 العمل

1.6 ضبط الدوران جهة اليمين/اليسار

يعمل مفتاح تحويل الدوران جهة اليمين/اليسار وهو في الوضع الأوسط كمانع للتشغيل.

اضبط مفتاح تحويل الدوران جهة اليمين/اليسار حسب الدوران جهة اليمين أو اليسار.

2.6 التشغيل

اضغط على مفتاح التحكم.
⇒ يمكن ضبط عدد اللفات من خلال عمق الفجوة.

لا تفرط في التحميل على المنتج. اترك المنتج يبرد لبضع دقائق عند تعرضه للسخونة المفرطة.

3.6 الإيقاف

اترك مفتاح التحكم.

7 العناية والصيانة

تحذير

خطر الإصابة عند تكون البطارية مركبة !
احرص على خلع البطارية دائماً قبل جميع أعمال الإصلاح والعناية!

العناية بالجهاز

- قم بإزالة الاتساخ الملتصق بمرص.
- قم بتنظيف فتحات التهوية بمرص باستخدام فرشاة جافة.
- نظف جسم الجهاز باستخدام قطعة قماش مبللة بعض الشيء. لا تستخدم مواد عناية تحتوي على السيليكون لما قد تتسبب فيه من الإضرار بالأجزاء البلاستيكية.

العناية ببطاريات أيونات الليثيوم

- حافظ على البطارية نظيفة وخالية من الزيت والشحم.
- نظف جسم الجهاز باستخدام قطعة قماش مبللة بعض الشيء. لا تستخدم مواد عناية تحتوي على السيليكون لما قد تتسبب فيه من الإضرار بالأجزاء البلاستيكية.
- تجنب تسرب الرطوبة إليها.

الصيانة

- افحص جميع الأجزاء المرئية من حيث وجود أضرار وافحص عناصر الاستعمال من حيث كفاءتها الوظيفية.
- في حالة وجود أضرار و/أو اختلافات وظيفية لا تقم بتشغيل المنتج. احرص على الفور على إصلاحه لدى مركز خدمة Hilti.
- بعد أعمال العناية والإصلاح قم بتركيب جميع تجهيزات الحماية وافحصها من حيث الأداء الوظيفي.



للتشغيل الآمن اقتصر على استخدام قطع الغيار الأصلية وخامات الشغل. تجد قطع الغيار وخامات الشغل والملحقات المصرح بها من قبلنا للمنتج الخاص بك في متجر Hilti Store أو على موقع الإنترنت: www.hilti.group

8 نقل وتخزين الأجهزة العاملة بالبطاريات

النقل

⚠ احترس:

التشغيل غير مقصود عند النقل !

قم بنقل المنتج دائما بدون البطاريات!

اخلع البطاريات.

تجنب نقل البطاريات في كميات سائبة.

بعد النقل لمسافة طويلة أو التخزين افحص الجهاز والبطاريات قبل الاستخدام من حيث وجود أضرار.

التخزين

⚠ احترس:

أضرار غير مقصودة بسبب البطاريات التالفة أو التي بها تسريب. !

قم بتخزين المنتج دائما بدون البطاريات!

يجب تخزين الجهاز والبطاريات في مكان جاف وبارد قدر الإمكان.

تجنب تخزين البطاريات تحت أشعة الشمس أو على أجهزة التدفئة أو خلف النوافذ الزجاجية.

احرص على تخزين الجهاز والبطاريات في مكان يصعب على الأطفال وغير المؤهلين لاستخدامه الوصول إليه.

بعد النقل لمسافة طويلة أو التخزين افحص الجهاز والبطاريات قبل الاستخدام من حيث وجود أضرار.

9 المساعدة في حالات الاختلالات


عند حدوث اختلالات غير مذكورة في الجدول أو يتعذر عليك معالجتها بنفسك، فيرجى التوجه إلى مركز خدمة Hilti.

1.9 المساعدة في حالات الاختلالات

عند حدوث اختلالات غير مذكورة في الجدول أو يتعذر عليك معالجتها بنفسك، فيرجى التوجه إلى مركز خدمة Hilti.

الخلل	السبب المحتمل	الحل
الجهاز لا يبدأ في العمل.	لمبة LED 1 تومض: البطارية فارغة.	اخلع البطارية وقم بشحنها.
	البطارية غير مركبة بشكل سليم.	يجب تثبيت البطارية بصوت مسموع. اخلع البطارية وقم بتركيبها مرة ثانية.
	لمبة LED واحدة تومض: البطارية شديدة السخونة أو البرودة.	اترك البطارية تبرد/تسخن حتى تصل إلى درجة حرارة العمل.
	تومض لمبات LED الأربع: هناك تحميل زائد على الجهاز لفترة قصيرة	اترك مفتاح التحكم واضغط عليه مجددا.
يتعذر الضغط على مفتاح التحكم.	مفتاح تحويل الدوران جهة اليمين/اليسار في الوضع الأوسط.	اضغط على مفتاح تحويل الدوران جهة اليمين/اليسار إلى اليسار أو اليمين.
عدد اللفات ينخفض بشدة.	البطارية فارغة الشحنة.	اخلع البطارية وقم بشحنها.
لا يتم سماع صوت تثبيت البطارية.	أطراف تثبيت البطارية متسخة.	قم بتنظيف أطراف التثبيت.
البطارية تفرغ بشكل أسرع من المعتاد.	درجة حرارة محيطه شديدة الانخفاض.	اترك البطارية تسخن لتصل إلى درجة حرارة الغرفة بشكل بطيء.



 أجهزة Hilti مصنوعة بنسبة كبيرة من مواد قابلة لإعادة التدوير. يشترط لإعادة التدوير أن يتم فصل الخامات بشكل سليم فنبا. في العديد من الدول تقوم شركة Hilti باستغلال الأجهزة القديمة لإعادة تدويرها. وللمعلومات حول ذلك اتصل بخدمة عملاء Hilti أو الموزع القريب منك.

التخلص من البطاريات

قد يُشكل التخلص من البطاريات بطريقة غير مطابقة للتعليمات خطراً على الصحة، وذلك من خلال تسرب الغازات أو السوائل.

لا تقم بإرسال أو توريد بطاريات تالفة!

قم بتغطية التوصيلات باستخدام مادة غير موصلة للكهرباء وذلك لتجنب حدوث قفلات كهربائية.

تخلص من البطاريات بحيث لا تصل إلى متناول الأطفال.

تخلص من البطارية لدى متجر **Hilti Store** أو توجه إلى مركز التخلص من النفايات المختص.

لا تلق الأدوات الكهربائية، الأجهزة الإلكترونية والبطاريات ضمن القمامة المنزلية!


11 مواصفة RoHS (مواصفة تقييد استخدام المواد الخطيرة)

تجد جدولاً بالمواد الخطرة تحت الرابط التالي: qr.hilti.com/r4838535.

تجد رابط خاص بجدول المواد التي تخص المواصفة RoHS في نهاية هذا المستند على هيئة كود QR.

12 ضمان الجبة الصانعة

في حالة وجود أية استفسارات بخصوص شروط الضمان، يرجى التوجه إلى وكيل Hilti المحلي الذي تتعامل معه.



1 文書について

1.1 本書について

- ご使用前に本書をすべてお読みください。このことは、安全な作業と問題のない取扱いのための前提条件となります。
- 本書および製品に記載されている安全上の注意と警告表示に注意してください。
- 取扱説明書は常に製品とともに保管し、他の人が使用する場合には、製品と取扱説明書を一緒にお渡しください。

1.2 記号の説明

1.2.1 警告表示

警告表示は製品の取扱いにおける危険について警告するものです。以下の注意喚起語が使用されています：



危険

危険！

▶ この表記は、重傷あるいは死亡事故につながる危険性がある場合に注意を促すために使われます。



警告

警告！

▶ この表記は、重傷あるいは死亡事故につながる可能性がある場合に注意を促すために使われます。



注意

注意！

▶ この表記は、軽傷あるいは物財の損傷が発生する可能性がある場合に使われます。

1.2.2 本書の記号

本書では、以下の記号が使用されています：



使用前に取扱説明書をお読みください



本製品を効率良く取り扱うための注意事項や役に立つ情報



リサイクル可能な部品の取扱い



工具およびバッテリーを一般ゴミとして廃棄してはなりません

1.2.3 図中の記号

図中では以下の記号が使用されています：



この数字は本取扱説明書冒頭にある該当図を示しています



付番は図中の作業手順の順序に対応していて、本文の作業手順とは一致しない場合があります



概要図には項目番号が付されていて、製品概要セクションの凡例の番号に対応しています



この記号は、製品の取扱いの際に特に注意が必要なことを示しています。

1.3 製品により異なる記号

1.3.1 製品に表示されている記号

製品には以下の記号が使用されている場合があります：



無線データ転送



	使用されているHilti Li-Ion バッテリーのモデルシリーズ。正しい使用の章の記載に注意してください。
	電気絶縁保護クラス II (二重絶縁)
n_0	無負荷回転数
/min	毎分回転数

1.4 製品情報

HILTI 製品はプロ仕様で製作されており、その使用、保守、修理を行うのは、認定を受けトレーニングされた人のみに限ります。これらの人は、遭遇し得る危険に関する情報を入手していなければなりません。製品およびアクセサリーの使用法を知らない者による誤使用、あるいは規定外の使用は危険です。機種名および製造番号は銘板に表示されています。

- ▶ 製造番号を以下の表に書き写しておいてください。ヒルティ代理店やサービスセンターへお問い合わせの際には、製品データが必要になります。

製品データ

充電式インパクトドライバー / レンチ	SIW 9-A22
製品世代:	01
製造番号:	

1.5 適合宣言

当社は、単独の責任において本書で説明している製品が有効な基準と標準規格に適合していることを宣言します。適合宣言書の複写は本書の末尾にあります。

技術資料は本書の後続の頁に記載されています：

Hilti Entwicklungsgesellschaft mbH | Zulassung Geräte | Hiltistraße 6 | 86916 Kaufering, DE

2 安全

2.1 電動工具の一般安全注意事項

⚠ 警告事項 本電動工具に付属のすべての安全上の注意、指示事項、図、および製品仕様をお読みください。以下の指示を守らないと、感電、火災および / または重傷事故の危険があります。

安全上の注意および指示事項が書かれた説明書はすべて大切に保管してください。

安全上の注意で使用する用語「電動工具」とは、お手持ちの電動ツール（電源コード使用）またはバッテリーツール（コードレス）を指します。

作業環境に関する安全

- ▶ 作業場はきれいに保ち、十分に明るくしてください。ちらかった暗い場所での作業は事故の原因となります。
- ▶ 爆発の危険性のある環境（可燃性液体、ガスおよび粉じんのある場所）では電動工具を使用しないでください。電動工具から火花が飛散し、粉じんや揮発性ガスに引火する恐れがあります。
- ▶ 電動工具の使用時、子供や無関係者を作業場へ近づけないでください。作業中に気がそらされると、本体のコントロールを失ってしまう恐れがあります。

電気に関する安全注意事項

- ▶ 電動工具の接続プラグは電源コンセントにきちんと適合しなければなりません。プラグは絶対に変更しないでください。保護接地した電動工具と一緒にアダプタープラグを使用しないでください。オリジナルのプラグと適切なコンセントを使用することにより、感電の危険を小さくすることができます。
- ▶ パイプ、ラジエーター、電子レンジ、冷蔵庫などのアースされた面に体の一部が触れないようにしてください。体が触れると感電の危険が大きくなります。
- ▶ 電動工具を雨や湿気から保護してください。電動工具に水が浸入すると、感電の危険が大きくなります。
- ▶ 電動工具を持ち運んだり、吊り下げたり、コンセントからプラグを抜いたりするときは、必ず本体を持ち、電源コードを持ったり引っ張ったりしないでください。電源コードを火気、オイル、鋭利な刃物、可動部等に触れる場所に置かないでください。電源コードが損傷したり絡まったりしていると、感電の危険が大きくなります。
- ▶ 屋外工事の場合には、必ず屋外専用の延長コードを使用してください。屋外専用の延長コードを使用すると、感電の危険が小さくなります。



- ▶ 湿った場所で電動工具を動作させる必要がある場合は、漏電遮断器を使用してください。漏電遮断器を使用すると、感電の危険が小さくなります。

作業者に関する安全

- ▶ 電動工具を使用の際には、油断せず十分注意し、常識をもった作業をおこなってください。疲れている場合、薬物、医薬品服用およびアルコール飲用による影響下にある場合には電動工具を使用しないでください。電動工具使用中の瞬間の不注意が重傷の原因となることがあります。
- ▶ 個人用保護具および保護メガネを常に着用してください。負傷の危険を低減するために、電動工具の使用状況に応じた粉じんマスク、耐滑性の安全靴、ヘルメット、耳栓などの個人用保護具を着用してください。
- ▶ 電動工具の意図しない始動を防止して下さい。電動工具を電源および / またはバッテリーに接続する前や本体を持ち上げたり運んだりする前に、本体がオフになっていることを必ず確認してください。オン / オフスイッチが入っている状態で電動工具のスイッチに指を掛けたまま運んだり、電源に接続したりすると、事故の原因となる恐れがあります。
- ▶ 電動工具のスイッチを入れる前に、必ず調節キーやレンチを取り外してください。調節キーやレンチが本体の回転部に装着されたままでは、けがの原因となる恐れがあります。
- ▶ 作業中は不安定な姿勢をとらないでください。足元を安定させ、常にバランスを保つようにしてください。これにより、万一電動工具が異常状況に陥った場合にも、適切な対応が可能となります。
- ▶ 作業に適した作業着を着用してください。だぶだぶの衣服や装身具を着用しないでください。髪、衣服、手袋を本体の可動部に近づけないでください。だぶだぶの衣服、装身具、長い髪が可動部に巻き込まれる恐れがあります。
- ▶ 吸じんシステムの接続が可能な場合には、これらのシステムが適切に接続、使用されていることを確認してください。吸じんシステムを利用することにより、粉じん公害を防げます。
- ▶ 電動工具の取扱いに熟練している場合にも、正しい安全対策を遵守し、電動工具に関する安全規則を無視しないでください。不注意な取扱いは、ほんの一瞬で重傷事故を招くことがあります。

電動工具の使用および取扱い

- ▶ 無理のある使用を避けてください。作業用途に適した電動工具を使用してください。適切な電動工具の使用により、効率よく、スムーズかつ安全な作業が行えます。
- ▶ スwitchが故障している場合には、電動工具を使用しないでください。スイッチで始動および停止操作のできない電動工具は危険ですので、修理が必要です。
- ▶ 本体の設定やアクセサリーの交換を行う前や本体を保管する前には電源プラグをコンセントから抜き、および / または脱着式のバッテリーを取り外してください。この安全処置により、電動工具の意図しない始動を防止することができます。
- ▶ 電動工具をご使用にならない場合には、子供の手の届かない場所に保管してください。電動工具に関する知識のない方、本説明書をお読みでない方による本体のご使用は避けてください。未経験者による電動工具の使用は危険です。
- ▶ 電動工具とアクセサリーは慎重に手入れしてください。可動部分が引っ掛かりなく正常に動作しているか、電動工具の運転に影響を及ぼす各部分が破損・損傷していないかを確認してください。電動工具をご使用になる前に、損傷部分の修理を依頼してください。事故の多くは保守管理の不十分な電動工具の使用が原因となっています。
- ▶ 先端工具は鋭利で汚れない状態を保ってください。お手入れのゆきとどいた先端工具を使用すると、作業が簡単かつ、スムーズになります。
- ▶ 電動工具、アクセサリー、先端工具などは、それらの説明書に記載されている指示に従って使用してください。その際は、作業環境および用途についてもご注意ください。指定された用途以外に電動工具を使用すると危険な状況をまねく恐れがあります。
- ▶ グリップとグリップ面は乾燥した清潔な状態に保ち、オイルやグリスの付着がないようにしてください。グリップやグリップ面が滑りやすい状態になっていると、予期していない状況が発生した際に電動工具を安全に使用 / 制御できません。

バッテリー工具の使用および取扱い

- ▶ バッテリーを充電する場合は、必ずメーカー推奨の充電器を使用してください。特定タイプのバッテリー専用の充電器を他のバッテリーに使用すると、火災の恐れがあります。
- ▶ 電動工具には、必ず指定されたバッテリーを使用してください。指定以外のバッテリーを使用すると、負傷や火災の恐れがあります。
- ▶ 使用されていないバッテリーの近くに、事務用クリップ、硬貨、キー、釘、ネジ、その他の小さな金属物を置かないでください。電気接点の短絡が起こることがあります。バッテリーの電気接点間が短絡すると、火傷や火災が発生する危険があります。
- ▶ 正しく使用しないと、液漏れが発生することがあります。その場合、漏れた液には触れないでください。もしも触れてしまった場合は、水で洗い流してください。バッテリー液が眼に入った場合は、水で洗い流してから医師の診察を受けてください。流出したバッテリー液により、皮膚が刺激を受けたり火傷を負う恐れがあります。



- ▶ 損傷したあるいは変更が加えられたバッテリーは使用しないでください。損傷したあるいは変更が加えられたバッテリーは、予測不可能な挙動により爆発あるいは負傷事故を発生させる危険があります。
- ▶ バッテリーは火気あるいは高温に曝さないでください。火気あるいは 130 °C (265 °F) を超える高温は、爆発の原因となることがあります。
- ▶ 充電に関するすべての指示事項に従い、バッテリーあるいはバッテリー工具は、決して取扱説明書に記載された温度範囲外で充電しないでください。正しくない充電あるいは許容温度範囲外での充電により、バッテリーが破壊され火災が発生する危険があります。

サービス

- ▶ 電動工具の修理は必ず認定サービスセンターにお申し付けください。また、必ず純正部品を使用してください。これにより電動工具の安全性が確実に維持されます。
- ▶ 損傷したバッテリーは決して手入れや保守を行わないでください。バッテリーの保守作業はすべて、メーカーあるいは権限のあるお客様サービスセンターが行うものとします。

2.2 スクリュードライバーに関するその他の安全上の注意

作業者に関する安全

- ▶ 本製品は、必ず技術的に問題のない状態で使用してください。
- ▶ 本体は決して加工や改造を加えないでください。
- ▶ 本体には一緒に納品された補助グリップを使用してください。これ以外のグリップを使用すると、コントロールを失ってけがををする恐れがあります。
- ▶ 本体は、常に両手でグリップを掴んでしっかりと保持してください。グリップは乾燥した清潔な状態を保ってください。
- ▶ 先端工具が隠れた電線に接触する可能性のある作業を行う場合は、必ず本体の絶縁されたグリップを持ってください。通電しているケーブルと接触すると、本体の金属部分にも電圧がかかり、感電の危険があります。
- ▶ 回転部品に触れないでください - 負傷の危険！
- ▶ 本体の使用中は、適切な保護メガネ、保護ヘルメット、耳栓、保護手袋および防じんマスクを着用してください。
- ▶ 保護手袋は先端工具の交換時にも着用してください。先端工具に触れると、切創事故や火傷の原因となることがあります。
- ▶ アイシールドを着用してください。破片が身体の一部、眼などを傷つけることもあります。
- ▶ 作業開始前に、作業場で発生する粉じんの危険有害度を調査してください。公的に承認された保護等級および地域の粉じんに関する規定を満たした工業用集じん機を使用してください。含鉛塗料、特定の種類の木材、コンクリート / 石材、石英を含む岩石、鉱物および金属などの母材から生じた粉じんは、健康を害する恐れがあります。
- ▶ 作業場の良好な換気に注意し、必要に応じてそれぞれの粉じんに適した防じんマスクを着用してください。作業者や近くにいる人が粉じんに触れたり吸い込んだりすると、アレルギー反応や呼吸器疾患を起こす可能性があります。カシヤブナ材などの特定の粉じんは、特に木材処理用の添加剤（クロム塩酸、木材保護剤）が使用されている場合、発ガン性があるとされています。アスベストが含まれる母材は、必ず専門家が取り扱うようにしてください。
- ▶ 休憩を取って、指を動かして血行を良くするように心がけてください。長時間作業の際には、振動により指、手あるいは手首の関節の血管あるいは神経系に障害が発生する可能性があります。

電気に関する安全注意事項

- ▶ 作業を開始する前に、作業領域に埋設された電線、ガス管や水道管がないかを調査してください。誤って電線を損傷すると、本体外側の金属部分により感電事故が発生する可能性があります。

電動工具の慎重な取扱いおよび使用

- ▶ 先端工具がブロックしたら直ちに電動工具をオフにします。本体は側方へとずらすことができます。
- ▶ 電動工具は停止するまで置かないでください。

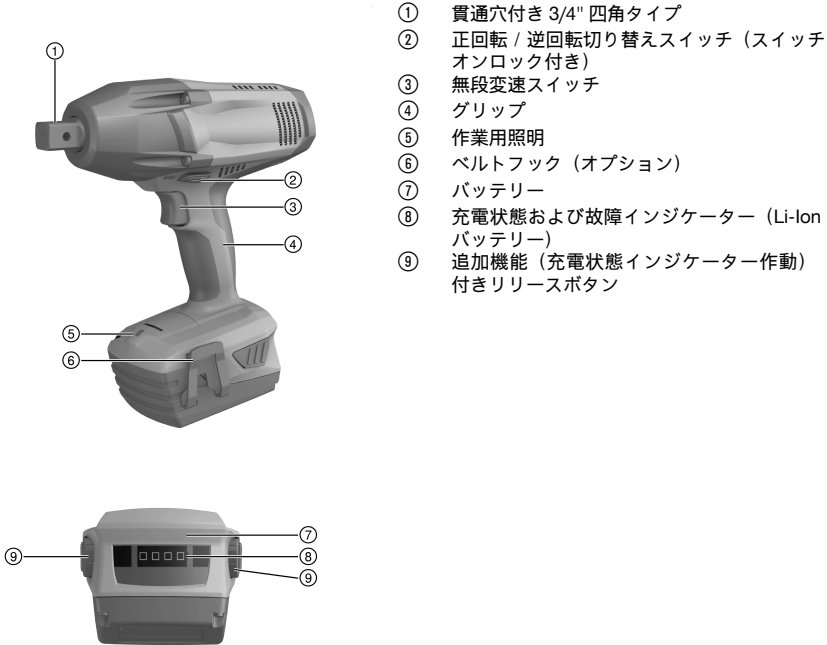
2.3 バッテリーの慎重な取扱いおよび使用

- ▶ Li-Ion バッテリーの搬送、保管、作動については特別規定を守ってください。
- ▶ バッテリーは高温、直射日光および火気を避けて保管してください。
- ▶ バッテリーを分解したり、挟んだり、80 °C 以上に加熱したり、燃やしたりしないでください。
- ▶ 衝撃を受けたことのあるバッテリー、1 m を超える高さから落下したことのあるバッテリー、あるいはその他の損傷を被っているバッテリーを使用あるいは充電しないでください。この場合には、必ず最寄りの Hilti サービスセンターにご連絡ください。
- ▶ バッテリーが掴むことのできないほどに熱くなっている場合は、故障している可能性があります。製品を監視可能な火気のない場所に可燃性の資材から十分に距離をとって置き、冷ましてください。この場合には、必ず最寄りの Hilti サービスセンターにご連絡ください。



3 製品の説明

3.1 製品概要



- ① 貫通穴付き 3/4" 四角タイプ
- ② 正回転 / 逆回転切り替えスイッチ (スイッチオンロック付き)
- ③ 無段変速スイッチ
- ④ グリップ
- ⑤ 作業用照明
- ⑥ ベルトフック (オプション)
- ⑦ バッテリー
- ⑧ 充電状態および故障インジケーター (Li-Ion バッテリー)
- ⑨ 追加機能 (充電状態インジケーター作動) 付きリリースボタン

3.2 正しい使用

本書で説明している製品は、手持ち式の充電式インパクトドライバー / レンチです。スクリューナット、ボルト、アンカーおよび木ネジを締め付けたり緩めたりするための工具です。先端工具は、貫通穴のある四角部分によりチャックされます。

この充電式インパクトドライバー / レンチは、厳密な規定トルクが設定されていない用途にのみ使用できます。厳密な規定トルクが設定されている用途に使用した場合、過回転、ネジまたは作業材料が損傷する危険が生じます。

- ▶ 本製品には、必ずHiltiのB 22シリーズのLi-Ionバッテリーを使用してください。
- ▶ これらのバッテリーには、必ずHiltiのC4/36シリーズの充電器を使用してください。

3.3 本体標準セット構成

インパクトドライバー / レンチ、取扱説明書。

i 安全な作動のために、必ず純正のスペアパーツと消耗品を使用してください。本製品向けに弊社が承認したスペアパーツ、消耗品およびアクセサリは、弊社営業担当またはHilti Storeにお問い合わせいただくか、あるいはwww.hilti.group | USA: www.hilti.com でご確認ください。

3.4 Li-Ion バッテリーのインジケーター

Li-Ion バッテリーの充電状態および本体の不具合は、Li-Ion バッテリーのインジケーターにより表示されます。Li-Ion バッテリーの充電状態は、2つのバッテリーリリースボタンのいずれかを押すと表示されます。

状態	意味
4 個の LED が点灯。	充電状態: 75 %...100 %
3 個の LED が点灯。	充電状態: 50 %...75 %



2113750

状態	意味
2 個の LED が点灯。	充電状態：25 %...50 %
1 個の LED が点灯。	充電状態：10 %...25 %
1 個の LED が点滅、本体は作動可能状態。	充電状態：< 10 %
1 個の LED が点滅、本体は作動不能状態。	バッテリーの過熱。
4 個の LED が点滅、本体は作動不能状態。	本体の過負荷あるいは過熱。

i コントロールスイッチの操作中、およびこのスイッチから指を放してから 5 秒が経過するまでの間は、充電状態を確認することはできません。バッテリーのインジケータの LED が点滅している場合は、「故障時のヒント」の章の注意事項を確認してください。

4 製品仕様

4.1 インパクトドライバー / レンチ

定格電圧	21.6 V _{DC}
重量 (EPTA プロシージャ 01 に準拠)	3.6 kg
無負荷回転数	1,400/min
打撃数	2,200/min
作動時の周囲温度	-17 °C ... 60 °C
保管温度	-20 °C ... 70 °C

4.2 バッテリー

バッテリー作動電圧	21.6 V
作動時の周囲温度	-17 °C ... 60 °C
保管温度	-20 °C ... 40 °C
充電開始時のバッテリー温度	-10 °C ... 45 °C

4.3 騒音および振動値について (EN 60745 準拠)

本説明書に記載されているサウンドプレッシャー値および振動値は、規格に準拠した測定方法に基づいて測定したものです。電動工具を比較するのにご使用いただけます。曝露値の暫定的な予測にも適しています。記載されているデータは、電動工具の主要な使用方法に対する値です。電動工具を他の用途で使用したり、異なる先端工具を取り付けて使用したり、手入れや保守が十分でないまま使用した場合には、データが異なることがあります。このような相違により、作業時間全体で曝露値が著しく高くなる可能性があります。曝露値を正確に予測するためには、本体のスイッチをオフにしている時間や、本体が作動していても実際には使用していない時間も考慮しなければなりません。このような相違により、作業時間全体で曝露値が著しく低くなる可能性があります。作業者を騒音および / または振動による影響から保護するために、他にも安全対策を立ててください (例：電動工具およびの先端工具の手入れや保守、手を冷やさないようにする、作業手順の計画を立てる)。

騒音排出値

排出サウンドプレッシャーレベル (L_{pA})	98.5 dB(A)
サウンドプレッシャーレベルの不確実性 (K_{pA})	3 dB(A)
サウンドパワーレベル (L_{WA})	109.5 dB(A)
サウンドパワーレベルの不確実性 (K_{WA})	3 dB(A)

合計振動値

最大許容サイズのねじおよびナットの締付けの排出振動値 (a_h)	7 m/s ²
不確実性 (K)	1.5 m/s ²



5 作業準備

5.1 バッテリーを充電する

1. 充電の前に充電器の取扱説明書をお読みください。
2. バッテリーと充電器の電気接点は汚れがなく、乾燥していることを確認してください。
3. バッテリーは許可された充電器で充電してください。

5.2 バッテリーを装着する

注意

負傷の危険 短絡あるいはバッテリーの落下！

- ▶ バッテリーを装着する前に、バッテリーの電気接点と製品の電気接点に異物がないことを確認してください。
 - ▶ バッテリーが正しくロックされていることを常に確認してください。
1. はじめてお使いになる前にはバッテリーをフル充電してください。
 2. ロックの音が聞こえるまでバッテリーを本体ホルダーに装着します。
 3. バッテリーがしっかりと装着されていることを確認してください。

5.3 バッテリーを取り外す

1. バッテリーのロック解除ボタンを押します。
2. バッテリーを本体のホルダーから引き抜きます。

5.4 ソケット (先端工具) を取り付ける

注意

正しくない先端工具による 負傷の危険！

- ▶ 必ずロック機能付きの先端工具を使用してください。
- ▶ 摩耗または損傷した先端工具は使用しないでください。

注意

負傷の危険 摩耗あるいは損傷した固定具

- ▶ 摩耗または損傷したロックリングは使用しないでください。

1. 正回転 / 逆回転切り替えスイッチを中立位置にするか、またはバッテリーを本体から取り外します。
2. ソケットを本体のドライブスピンドルに取り付けます。



ソケットの位置を調整し、ソケットのサポートの穴がドライブスピンドルの穴と一致するようにします。

3. 以下の条件があてはまる場合は、追加してこの作業を行ってください：

条件: Oリングおよびロックピン使用時。

- ▶ Oリングをソケットの溝から取り外します。ロックピンをソケットとドライブスピンドルの穴に差し込みます。続いてOリングを再びソケットの溝に挿入します。

4. 以下の条件があてはまる場合は、追加してこの作業を行ってください：

条件: ロックリング使用時。

- ▶ ロックリングをソケットに差し込みます。

5.5 ソケット (先端工具) を取り外す

1. 正回転 / 逆回転切り替えスイッチを中立位置にするか、またはバッテリーを本体から取り外します。
2. ロックリングまたはOリングをロックピンも含めソケットから取り外します。
3. ソケットを本体のドライブスピンドルから取り外します。




5.6 ベルトフックを取り付ける (オプション) 4

警告

負傷の危険 本体の落下による危険があります。

- ▶ 本体が落下してご自身あるいは他の方が怪我をする恐れがあります。作業を開始する前に、ベルトフックが確実に固定されていることを確認してください。

 ベルトフックにより、本体を体に接触させてベルトに固定することができます。ベルトフックは、体の右側で使用するようにも左側で使用するようにも取り付けすることができます。


1. バッテリーを取り外します。→ 頁 155
2. ベルトフックを本製品脚部の開口部に差し込みます。
3. ベルトフックを 2 本のねじで固定します。

5.7 Hilti 落下暴発防止装置を取り付ける (オプション) 5

注意

製品および / または落下防止ロープの損傷。不適切な取扱は、製品および / または落下防止ロープの損傷の原因となることがあります。

- ▶ 金属チェーンを落下防止ロープとして使用しないでください。2,0 m (6 ft) を超過する落下防止ロープは使用しないでください。

 損傷を防止するために、高い位置での作業の際にはHilti 落下暴発防止装置を使用されることをお勧めします。


落下暴発防止装置は、保持ザイル / 保持ベルトによる固定を可能にします。

本製品を使用しての高所での作業の際は、各国の定めるガイドラインを必ず守ってください。

1. バッテリーを取り外します。→ 頁 155
2. 落下暴発防止装置の両方のラグを、本体脚部の両側にあるスリットに差し込みます。
3. 落下暴発防止装置を付属のネジで固定します。
4. バッテリーを装着します。→ 頁 155

6 作業


6.1 正逆回転を設定する 3

 正回転 / 逆回転切り替えスイッチは、中立位置ではスイッチオンロックとして機能します。

- ▶ 正回転 / 逆回転切り替えスイッチを正回転あるいは逆回転位置にします。

6.2 スイッチオン

- ▶ コントロールスイッチを押します。
 - ↳ 押し込みの深さにより回転数を制御できます。

 無理のある使用は避けてください。製品が非常に熱くなる場合は、数分間製品を冷ましてください。

6.3 スイッチオフ

- ▶ コントロールスイッチから指を放します。



7 手入れと保守

警告

バッテリーを装着した状態における負傷の危険！

- ▶ 手入れや保守作業の前に必ずバッテリーを取り外してください！

本体の手入れ

- 強固に付着した汚れは慎重に除去してください。
- 通気溝を乾いたブラシで入念に清掃してください。
- ハウジングは必ず軽く湿らせた布で清掃してください。シリコンを含んだ清掃用具はプラスチック部品をいためる可能性があるので使用しないでください。

Li-Ion バッテリーの手入れ

- バッテリーは清潔に保ち、オイルやグリスで汚さないようにしてください。
- ハウジングは必ず軽く湿らせた布で清掃してください。シリコンを含んだ清掃用具はプラスチック部品をいためる可能性があるので使用しないでください。
- 湿気が入り込まないようにしてください。

保守

- 目視確認可能なすべての部品について損傷の有無を、操作エレメントについては問題なく機能することを定期的に点検してください。
- 損傷および / または機能に問題のある場合は、本製品を使用しないでください。直ちにHilti サービスセンターに修理を依頼してください。
- 手入れおよび保守作業の後には、すべての安全機構を取り付けて機能を点検してください。



安全な作動のために、必ず純正のスペアパーツと消耗品を使用してください。本製品向けに弊社が承認したスペアパーツ、消耗品およびアクセサリは、弊社営業担当またはHilti Storeにお問い合わせいただくか、あるいはwww.hilti.groupでご確認ください。

8 バッテリー装置の搬送および保管

搬送

注意

搬送時の予期しない始動！

- ▶ お使いの製品は、必ずバッテリーを装着していない状態で搬送してください！
- ▶ バッテリーを取り外します。
- ▶ バッテリーは決して梱包しない状態で搬送しないでください。
- ▶ 本体とバッテリーを長距離にわたって搬送した後は、使用前に損傷がないかチェックしてください。

保管上の注意事項

注意

故障したあるいは液漏れしたバッテリーによる予期しない損傷！

- ▶ お使いの製品は、必ずバッテリーを装着していない状態で保管してください！
- ▶ 本体とバッテリーは、できるだけ涼しくて乾燥した場所に保管してください。
- ▶ バッテリーを太陽の直射下、ラジエーターの上、窓際等で保管しないでください。
- ▶ 本体とバッテリーは、子供や権限のない人が手を触れることのないようにして保管してください。
- ▶ 本体とバッテリーを長期間にわたって保管した後は、使用前に損傷がないかチェックしてください。

9 故障時のヒント

この表に記載されていない、あるいはご自身で解消することのできない故障が発生した場合には、弊社営業担当またはHilti サービスセンターにご連絡ください。

9.1 故障時のヒント

この表に記載されていない、あるいはご自身で解消することのできない故障が発生した場合には、弊社営業担当またはHilti 代理店・販売店にご連絡ください。



故障	考えられる原因	解決策
本体が始動しない。	1 個の LED が点滅：バッテリーが空。	▶ バッテリーを取り外して充電する。
	バッテリーが正しく装着されていない。	▶ バッテリーを「カチッ」と音が聞こえるまでロックする。バッテリーを取り外して改めて装着する。
	1 個の LED が点滅：バッテリーの温度が高すぎる、または低すぎる。	▶ バッテリーを運転温度まで冷やす / 暖める。
	4 個の LED が点滅：本体に短期的に過負荷がかかっている。	▶ コントロールスイッチから指を放し、改めてコントロールスイッチを操作する。
コントロールスイッチを押せない。	正回転 / 逆回転切り替えスイッチが中立位置。	▶ 正回転 / 逆回転切り替えスイッチを右または左へ押す。
回転数が非常に下がる。	バッテリーが放電している。	▶ バッテリーを取り外して充電する。
バッテリーが「カチッ」と音がするまでロックされない。	バッテリーのロックノッチが汚れている。	▶ ロックノッチを清掃する。
バッテリーの消耗が通常よりも早い。	周囲温度が低すぎる。	▶ バッテリーをゆっくり室温まで暖める。

10 廃棄

Hilti 製品の大部分の部品はリサイクル可能です。リサイクル前にそれぞれの部品は分別して回収されなければなりません。多くの国で Hilti は、古い電動工具をリサイクルのために回収しています。詳細については弊社営業担当または Hilti 代理店・販売店にお尋ねください。

バッテリーを廃棄する

バッテリーを誤った方法で廃棄すると、漏出するガスあるいはバッテリー液により健康を損なう危険があります。

- ▶ 損傷したバッテリーを送付しないでください！
- ▶ 短絡を防止するために接続部を非導電性のもので覆ってください。
- ▶ バッテリーは子供が手を触れることのないように廃棄してください。
- ▶ バッテリーの廃棄は、最寄りの Hilti Store あるいは適切な廃棄物処理業者に依頼してください。



- ▶ 電動工具、電子機器およびバッテリーを一般ゴミとして廃棄してはなりません！

11 RoHS (有害物質使用制限に関するガイドライン)

下記のリンクより、有害物質を記載した表を確認できます： qr.hilti.com/r4838535。

本書の最終ページに RoHS 表にリンクした QR コードがあります。

12 メーカー保証

- ▶ 保証条件に関するご質問は、最寄りの Hilti 代理店・販売店までお問い合わせください。



1 문서 관련 기재사항

1.1 본 문서에 대해

- 처음 사용하기 전에 본 문서 전체를 읽으십시오. 안전하게 작업하고 문제 없이 취급하기 위한 전제가 됩니다.
- 본 문서 및 제품에 나와 있는 안전 지침 및 경고 지침에 유의하십시오.
- 항상 제품에 있는 사용 설명서를 잘 보관하고 제품은 반드시 본 지침과 함께 다른 사람에게 전달하십시오.

1.2 기호 설명

1.2.1 경고사항

본 제품을 다루면서 발생할 수 있는 위험에 대한 경고사항. 다음과 같은 시그널 워드가 사용됩니다.



위험

위험!

- ▶ 이 기호는 직접적인 위험을 표시합니다. 만약 지키지 않으면 심각한 부상을 당하거나 사망할 수도 있습니다.



경고

경고!

- ▶ 이 기호는 잠재적인 위험을 표시합니다. 만약 지키지 않으면 심각한 부상을 당하거나 사망할 수도 있습니다.



주의

주의!

- ▶ 이 기호는 특별히 중요한 안전상의 주의사항을 표시합니다. 만약 지키지 않으면, 심각한 부상 또는 물적 손실을 입을 수 있습니다.

1.2.2 문서에 사용된 기호

본 문서에서 사용되는 기호는 다음과 같습니다.

	사용하기 전에 사용설명서를 읽으십시오.
	적용 지침 및 기타 유용한 사용정보
	재사용이 가능한 자재 취급방법
	전기 기기 및 배터리를 일반 가정의 쓰레기처럼 폐기해서는 안 됨

1.2.3 그림에 사용된 기호

다음과 같은 기호가 그림에 사용됩니다.

2	이 숫자는 본 설명서의 첫 부분에 있는 해당 그림을 나타냅니다.
3	매겨진 숫자는 작업 단계의 순서를 나타내며, 텍스트에 매겨진 작업 단계와 차이가 있을 수 있습니다.
⑪	항목 번호는 개요 그림에서 사용되며, 제품 개요 단락에 나와 있는 기호 설명 번호를 나타냅니다.
	이 표시는 제품을 다룰 때, 특별히 주의할 사항을 나타냅니다.

1.3 제품 관련 기호

1.3.1 제품에 사용된 기호

제품에 사용되는 기호는 다음과 같습니다.



2113750

	무선 데이터 전송
	사용한 Hilti 리튬이온 배터리 모델 시리즈. 규정에 맞는 사용 단원에 제시된 내용에 유의하십시오.
	보호 등급 II (이중 절연)
n_0	무부하 회전속도
/min	분당 회전수

1.4 제품 정보

HILTI 제품은 전문가용으로 설계되어 있으며, 해당 교육을 이수한 공인된 작업자를 통해서만 조작, 유지 보수 및 수리 작업을 진행할 수 있습니다. 이 기술자는 발생할 수 있는 위험에 대해 특별 교육을 받은 상태여야 합니다. 교육을 받지 않은 사람이 제품을 부적절하게 취급하거나 규정에 맞지 않게 사용될 경우에는 기기와 그 보조기구에 의해 부상을 당할 위험이 있습니다.

형식 명칭 및 일련 번호는 형식 라벨에 제시되어 있습니다.

▶ 일련 번호를 다음의 표에 옮기십시오. 대리점 또는 서비스 센터에 문의할 경우 제품 제원이 필요합니다.

제품 제원

충전 임팩트 렌치	SIW 9-A22
세대:	01
일련번호:	

1.5 적합성 선언

폐사는 전적으로 책임을 지고 여기에 기술된 제품이 통용되는 기준과 규격에 일치함을 공표합니다. 적합성 증명서 사본은 본 문서 끝 부분에서 확인할 수 있습니다.

기술 문서는 이곳에 기술되어 있습니다.

Hilti Entwicklungsgesellschaft mbH | Zulassung Geräte | Hiltistraße 6 | 86916 Kaufering, DE

2 안전

2.1 전동 공구에 대한 일반적인 안전상의 주의사항

⚠ 경고 해당 전동 공구와 함께 동봉된 모든 안전상의 주의 사항, 지침, 그림 및 기술자료를 숙지하십시오. 다음과 같은 지침 내용을 준수하지 않으면 전기 충격, 화재가 발생하거나 그리고/또는 중상을 입을 수 있습니다. 앞으로 모든 안전상의 주의사항과 지침을 보관하십시오.

안전상의 주의사항에서 사용되는 "전동 공구"라는 개념은 전원에 연결하여 사용하는 전동 공구(전원 케이블 있음) 또는 배터리를 사용하는 전동 공구(전원 케이블 없음)를 의미합니다.

작업장 안전수칙

- ▶ 작업장을 항상 깨끗이 하고 조명이 잘 들도록 하십시오. 어수선한 작업환경 또는 어두운 작업장은 사고를 초래할 수 있습니다.
- ▶ 인화성 액체, 가스 또는 먼지가 있어 폭발 위험이 있는 환경에서는 전동 공구를 사용하지 마십시오. 전동 공구는 먼지나 증기를 점화시킬 수 있는 스파크를 일으킵니다.
- ▶ 전동 공구를 사용할 때, 어린이들이나 다른 사람들이 작업장에 접근하지 못하도록 하십시오. 다른 사람의 방해로 인해 기기를 통제하기 어렵습니다.

전기에 관한 안전수칙

- ▶ 전동 공구의 전원 플러그가 소켓에 잘 끼워져야 합니다. 플러그를 절대 변형시켜서는 안됩니다. 접지된 전동 공구와 함께 아답타 플러그를 사용하지 마십시오. 변형되지 않은 플러그와 적합한 소켓을 사용하면 감전의 위험을 줄일 수 있습니다.
- ▶ 파이프, 히터, 전기레인지, 냉장고와 같은 접지 표면에 신체 접촉을 피하십시오. 신체에 닿을 경우 감전될 위험이 높습니다.
- ▶ 전동 공구가 비에 맞지 않도록 하고 습한 장소에 두지 마십시오. 전동 공구에 물이 들어가면 감전될 위험이 높습니다.
- ▶ 전원 케이블만 잡고 전동 공구를 운반하거나 걸어 놓아서는 안되며, 소켓에서 전원 플러그를 빼낼 때 케이블만 잡은 채로 빼내지 마십시오. 전원 케이블이 열, 오일, 날카로운 모서리 또는 부품의 가동 부위에 접촉하지 않도록 주의하십시오. 손상되거나 서로 꼬인 전원 케이블은 감전 위험을 높입니다.



- ▶ 실외에서 전동 공구를 이용하여 작업할 때, 실외용으로 승인된 연장 케이블만 사용하십시오. 실외용 연장 케이블을 사용하면 감전의 위험을 줄여줍니다.
- ▶ 전동 공구를 습한 환경에서 사용하는 것을 피할 수 없을 경우, 누전 차단기를 사용하십시오. 누전 차단기를 사용하면 감전 위험을 줄일 수 있습니다.

사용자 안전수칙

- ▶ 신중하게 작업하십시오. 작업에 정신을 집중하고 전동 공구를 사용할 때 경솔하게 행동하지 마십시오. 피곤하거나 항정신성 약물, 술 또는 약물 복용시에는 전동 공구를 사용하지 마십시오. 전동 공구 사용 시 이에 유의하지 않을 경우 심각한 부상을 초래할 수 있습니다.
- ▶ 안전 장비를 갖추고 보안경을 착용하십시오. 전동 공구의 종류와 사용에 따라, 먼지 보호 마스크, 미끄럼 방지용 안전 신발, 안전모 또는 귀마개 등과 같은 안전한 보호장비를 착용하면 부상의 위험을 줄일 수 있습니다.
- ▶ 실수로 기기가 작동하지 않도록 주의하십시오. 전동 공구를 전원 그리고/또는 배터리에 연결하기 전, 보관 또는 운반 전에 전동 공구가 스위치 OFF 상태인지 확인하십시오. 전동 공구 운반 시 스위치에 손가락을 대거나 스위치가 켜진 상태에서 전원을 연결하면 사고를 유발할 수 있습니다.
- ▶ 전동 공구의 스위치를 켜기 전, 작동공구 또는 렌치를 제거하십시오. 기기 회전부에 남아있는 공구나 렌치로 인해 부상을 입을 수 있습니다.
- ▶ 작업 시 비정상적인 자세는 피하십시오. 안전한 작업자세가 되도록 하고, 항상 균형을 유지하십시오. 이렇게 하여 예기치 않은 상황에서도 전동 공구를 잘 제어할 수 있습니다.
- ▶ 적합한 작업복을 착용하십시오. 헐렁한 복장이나 장식품을 착용하지 마십시오. 작동하는 기기 가동 부위에 머리, 옷 그리고 장갑이 가까이 닿지 않도록 주의하십시오. 헐렁한 복장, 장식품 혹은 긴 머리가 가동 부위에 말려 들어갈 수 있습니다.
- ▶ 먼지 제거장치나 수거장치를 설치할 수 있는 기기의 경우, 이 장치들이 연결되어 있는지 그리고 제대로 작동되는지를 확인하십시오. 먼지 포집장치 사용은 먼지로 인한 위험을 줄여줄 수 있습니다.
- ▶ 이 전동 공구를 여러번 사용했다고 해서 안전하다고 안심하지 말고 전동 공구에 해당하는 안전 규칙을 무시하지 마십시오. 부주의하게 행할 경우 아주 짧은 순간에 중상을 입을 수 있습니다.

전동 공구의 취급과 사용

- ▶ 기기에 과부하가 걸리지 않도록 하십시오. 귀하의 작업에 적합한 전동 공구를 사용하십시오. 적합한 전동 공구를 사용하면, 지정된 성능 한도 내에서 더 효율적으로 안전하게 작업할 수 있습니다.
- ▶ 스위치가 고장난 전동 공구는 사용하지 마십시오. 스위치가 작동되지 않는 전동 공구는 위험하므로, 반드시 수리를 해야 합니다.
- ▶ 기기 세팅을 실행, 액세서리를 교환 또는 기기를 보관하기 전에 컨넥터를 전원소켓에서 그리고/또는 탈착식 배터리를 기기에 빼놓으십시오. 이러한 조치는 실수로 전동 공구가 작동하지 않도록 방지합니다.
- ▶ 사용하지 않는 전동 공구는 어린이들의 손이 닿지 않는 곳에 보관하십시오. 기기 사용에 익숙치 않거나 또는 이 안전수칙을 읽지 않은 사람이 기기를 사용해서는 안 됩니다. 비숙련자가 전동 공구를 사용하면 위험합니다.
- ▶ 전동 공구 및 액세서리를 유의해서 관리하십시오. 기기의 가동 부위가 완벽하게 작동하는지, 끼어 있지 않은지, 혹은 부품이 손상되거나 파손되어 있어 전동 공구의 기능을 저하시키지 않는지 점검하십시오. 기기 사용 전 손상된 부품을 수리하도록 하십시오. 제대로 관리되지 않은 전동 공구는 많은 사고를 유발합니다.
- ▶ 절단기기는 날카롭고 깨끗하게 관리하십시오. 날카로운 절단면이 있고 잘 관리된 절단기기는 끼이는 경우가 드물고 조절하기도 쉽습니다.
- ▶ 본 지침에 따라 전동 공구, 액세서리, 공구 비트 등을 사용하십시오. 이 때 작업 조건과 실시하려는 작업 내용을 고려하십시오. 원래 사용 분야가 아닌 다른 작업에 전동 공구를 사용할 경우, 위험한 상황을 초래할 수 있습니다.
- ▶ 손잡이 및 손잡이 표면은 건조하고 깨끗하게, 그리고 오일과 그리스가 묻어있지 않도록 해야 합니다. 미끄러운 손잡이 및 손잡이 표면은 예상치 못한 상황에서 전동 공구를 안전하게 조작하고 제어할 수 없습니다.

배터리 공구의 취급과 사용

- ▶ 제조회사가 권장한 충전기에만 배터리를 충전시키십시오. 특정한 형식의 배터리를 사용하도록 규정되어 있는 충전기에 다른 배터리를 사용할 경우 화재 발생의 위험이 있습니다.
- ▶ 전동 공구에 적합하게 규정된 배터리만 사용하십시오. 다른 배터리를 사용하면 부상을 입을 수 있고, 화재가 발생할 수 있습니다.
- ▶ 배터리를 사용하지 않을 경우 클립, 동전, 키, 못, 나사 또는 다른 소형 금속 물질로부터 사용하지 않는 배터리를 멀리 떨어뜨려 놓아주십시오. 배터리 간 단락으로 인한 연소 또는 화재를 초래할 수 있습니다.
- ▶ 잘못 사용할 경우, 배터리로부터 전해액이 흘러나올 수 있습니다. 전해액을 직접 만지지 마십시오. 실수로 만졌을 경우, 물로 씻으십시오. 전해액이 눈에 들어갔으면, 의사와 상담하십시오. 배터리로부터 흘러나온 전해액은 피부를 손상시킬 수 있으며, 화재를 발생시킬 수 있습니다.
- ▶ 손상된 배터리 또는 변경된 배터리를 사용하지 마십시오. 손상된 배터리 또는 변경된 배터리는 예상치 못한 상황 및 화재, 폭발 또는 부상 위험을 초래할 수 있습니다.
- ▶ 배터리에서 불꽃이 발생하거나 또는 배터리가 너무 높은 온도에 노출되지 않게 하십시오. 불꽃 또는 온도가 130 °C (265 °F)를 넘으면 폭발을 일으킬 수 있습니다.



- ▶ 충전에 관한 모든 지침을 준수하여 배터리 또는 배터리 공구를 절대 사용 설명서에 제시된 범위를 벗어난 온도에서 충전하지 마십시오. 잘못 충전하거나 허용된 범위를 벗어난 온도에서 충전하면 배터리가 파손되어 화재 발생 위험이 높아질 수 있습니다.

서비스

- ▶ 전동 공구는 반드시 자격을 갖춘 전문가에 의해 그리고 순정 대체부품만 이용하여 수리해야 합니다. 이렇게 하여 기기의 안전성을 계속해서 유지할 수 있습니다.
- ▶ 손상된 배터리를 절대 수리하지 마십시오. 배터리 수리는 제조회사 또는 권한을 위임받은 고객 서비스센터에서만 이루어져야 합니다.

2.2 스크류 드라이버에 관한 추가적인 안전상의 주의사항

사용자 안전수칙

- ▶ 기술적 하자가 없는 상태에서만 제품을 사용하십시오.
- ▶ 어떠한 경우에도 기기를 무단 변경 또는 개조하지 마십시오.
- ▶ 기기와 함께 공급된 보조 손잡이를 사용하십시오. 기기를 제어하지 못하면 부상을 입을 수 있습니다.
- ▶ 항상 양 손으로 기기의 손잡이를 잡고 공구를 고정시키십시오. 손잡이는 건조하고 깨끗하게 유지하십시오.
- ▶ 숨겨진 전선에 공구 비트가 접촉할 수 있는 작업을 실행할 경우, 항상 기기의 절연된 손잡이 부분을 잡으십시오. 전류가 흐르는 전선과 접촉하면 전동공구의 금속 부위를 통해 감전이 될 수도 있습니다.
- ▶ 회전하는 부품에 접촉하지 않도록 하십시오. - 부상 위험!
- ▶ 기기를 사용하는 동안 적절한 보안경, 안전모, 귀마개, 보호장갑, 안전화 및 보호 마스크를 착용해야 합니다.
- ▶ 공구 교체 시에도 보호장갑을 착용하십시오. 공구 비트에 닿으면 부상을 입거나 화상을 당할 수 있습니다.
- ▶ 보안경을 착용하십시오. 재료의 파편으로 인해 눈 등 신체에 부상을 입을 수 있습니다.
- ▶ 작업을 시작하기 전, 작업 시 발생하는 먼지의 위험 등급을 알아보십시오. 해당 국가의 먼지 방지 규정에 적합하며, 공식적으로 허용된 보호 등급의 산업용 진공 청소기만을 사용하십시오. 낫이 함유된 도료, 일부 목재, 콘크리트/ 조적벽돌/ 수정을 함유한 암석 및 금속과 같은 광물질로부터 나오는 먼지는 건강에 해로울 수 있습니다.
- ▶ 작업장을 잘 환기시키고 먼지의 종류에 따라 필요 시 보호마스크를 착용하십시오. 먼지를 흡입하거나 만질 경우, 사용자 또는 근처에 있는 사람에게 기관지 질병이나 알레르기 반응이 나타날 수 있습니다. 딱갈나무 입자 또는 너도밤나무 입자와 같은 특정 종류의 먼지는, 특히 목재 처리용으로 사용하는 첨가제(크롬산염, 목재 부식 방지제)와 결합하여 암을 일으킬 수 있습니다. 석면 물질은 전문가에서만 다룰 수 있습니다.
- ▶ 손가락의 혈액순환이 잘 되도록 하기 위해 휴식시간 동안 손가락 운동을 하십시오. 장시간 작업하면 진동으로 인해 혈관 장애 또는 손가락, 손 및 손목의 신경 체계에 이상이 있을 수 있습니다.

전기에 관한 안전수칙

- ▶ 작업을 시작하기 전에, 작업장에서 가려져 있거나 덮혀 있는 전기 배선, 가스 파이프 그리고 하수도관이 있는지를 점검하십시오. 실수로 전기 케이블을 손상시킨 경우, 기기 바깥쪽에 있는 금속 부품에서 전기 쇼크를 일으킬 수 있습니다.

전동 공구의 올바른 사용방법과 취급방법

- ▶ 전동공구가 블로킹된 경우 즉시 전동공구의 스위치를 끄십시오. 기기가 옆으로 기울어질 수 있습니다.
- ▶ 전동공구를 내려놓기 전에 전동공구가 완전히 정지할 때까지 기다리십시오.

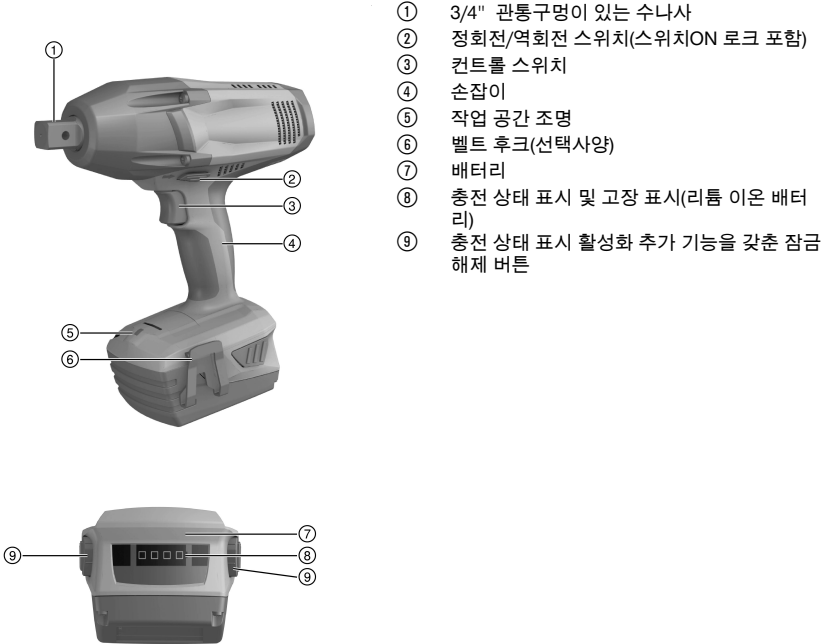
2.3 배터리의 올바른 사용방법과 취급방법

- ▶ 리튬 이온 배터리의 운반, 보관 및 사용에 대한 특수 지침에 유의하십시오.
- ▶ 배터리를 고열, 직사광선 및 화염 근처에 두지 마십시오.
- ▶ 배터리를 분해하거나 강한 압력 또는 80°C 이상의 열을 가하거나 연소시켜서는 안 됩니다.
- ▶ 충격을 받은 적이 있거나, 1미터가 넘는 높이에서 떨어진 적이 있거나 혹은 다른 방식으로 손상된 배터리는 절대 사용하거나 충전하지 마십시오. 이러한 경우 항상 Hilti 서비스 센터로 문의해 주시기 바랍니다.
- ▶ 배터리를 잡기에 너무 뜨거운 경우에는 고장일 수 있습니다. 가연성 소재와 충분한 간격을 유지하면서, 관찰이 가능한 비연소 장소에 제품을 설치하고 제품을 냉각시키십시오. 이러한 경우 항상 Hilti 서비스 센터로 문의해 주시기 바랍니다.



3 제품 설명

3.1 제품 개요



- ① 3/4" 관통구멍이 있는 수나사
- ② 정회전/역회전 스위치(스위치ON 로크 포함)
- ③ 컨트롤 스위치
- ④ 손잡이
- ⑤ 작업 공간 조명
- ⑥ 벨트 후크(선택사양)
- ⑦ 배터리
- ⑧ 충전 상태 표시 및 고장 표시(리튬 이온 배터리)
- ⑨ 충전 상태 표시 활성화 추가 기능을 갖춘 잠금 해제 버튼

3.2 규정에 맞는 사용

기술된 제품은 배터리 구동식 소형 임팩트 렌치입니다. 본 제품은 스크류 너트, 볼트, 앵커 및 나사못을 조이고 풀기 위한 용도로 개발되었습니다. 툴 클램핑은 관통 구멍이 있는 수아담타를 통해 이루어집니다. 본 임팩트 렌치는 정확한/특정한 토크가 요구되는 작업에 사용해서는 안 됩니다. 그렇지 않을 경우, 과회전 위험이 있으며 스크류 또는 작업물이 손상될 수 있습니다.

- ▶ 본 제품에는 모델시리즈 B 22의 Hilti 리튬 이온 배터리만 사용하십시오.
- ▶ 이 배터리에는 Hilti 충전기 C4/36 시리즈만 사용하십시오.

3.3 공급품목

임팩트 렌치, 사용 설명서.

i 안전한 사용을 위해서 순정 예비 부품 및 소모품만을 사용하십시오. 해당 제품에 허용되는 예비 부품, 소모품 및 액세서리는 Hilti Store 또는 에서 확인할 수 있습니다. www.hilti.group | 미국: www.hilti.com

3.4 리튬 이온 배터리 표시

리튬 이온 배터리의 충전 상태 및 기기의 문제 발생 여부는 리튬 이온 배터리의 표시기를 통해 알 수 있습니다. 리튬 이온 배터리의 충전 상태는 배터리 잠금 해제 버튼 중 하나를 누르면 표시됩니다.

상태	의미
4개 LED 점등됨.	충전 상태: 75 % ~ 100 %
3개 LED 점등됨.	충전 상태: 50 % ~ 75 %
2개 LED 점등됨.	충전 상태: 25 % ~ 50 %
1개 LED 점등됨.	충전 상태: 10 % ~ 25 %
1개 LED 깜박임, 기기 작동 준비 상태.	충전 상태: < 10 %



2113750

한국어 163

상태	의미
1개 LED 깜박임, 기기 작동 준비 상태되지 않음.	배터리 과열.
4개 LED 깜박임, 기기 작동 준비 상태되지 않음.	공구 과부하 또는 과열.

컨트롤 스위치가 조작된 상태에서 컨트롤 스위치에서 손을 뗀 후 5초까지는 충전상태를 조회해볼 수 없습니다. 배터리 표시기의 LED가 점멸할 경우, "고장 시 대책" 장의 지침에 유의하십시오.

4 기술자료

4.1 임팩트 렌치

정격 전압	21.6V _{DC}
EPTA-Procedure 01에 따른 무게	3.6kg
무부하 회전속도	1,400/min
타격 주파수	2,200/min
작동 시 주변 온도	-17 °C ... 60 °C
보관 온도	-20 °C ... 70 °C

4.2 배터리

배터리 모드 전압	21.6V
작동 시 주변 온도	-17 °C ... 60 °C
보관 온도	-20 °C ... 40 °C
충전 시작 시 배터리 온도	-10 °C ... 45 °C

4.3 EN 60745에 따른 소음 정보 및 진동값

이 지침에 제시된 음압 및 진동수준은 표준화된 측정방법에 따라 측정된 것이며, 전동공구를 서로 비교하기 위한 용도로 사용할 수 있습니다. 음압 및 진동 수준은 노출 정도를 사전에 예측하는 데에도 유용하게 사용할 수 있도록 설계되어 있습니다. 제시된 데이터는 전동공구의 주된 용도를 나타냅니다. 그러나 전동공구를 다른 용도로 사용하거나 다른 공구 비트를 사용할 경우 또는 유지보수를 충분히 하지 않은 상태에서는 데이터에 편차가 있을 수 있습니다. 이러한 경우 전 작업시간에 걸쳐 노출이 현저하게 증가할 수 있습니다. 노출을 정확하게 평가하기 위해서는 기기 작동이 멈춰 있거나 또는 작동 중이지만 실제로는 사용하지 않는 시간도 고려해야 합니다. 이러한 경우 전 작업시간에 걸쳐 노출이 현저하게 감소할 수 있습니다. 사용자를 보호하기 위해 음파 그리고/또는 진동이 작용하기 전에 다음과 같은 추가적인 안전 조치를 취하십시오. 전동공구와 공구 비트의 유지보수, 손을 따뜻하게 유지, 작업순서 정하기 등.

소음 배출 값

음압 방출 수준 (L_{pA})	98.5dB(A)
음압 수준 허용공차 (K_{pA})	3dB(A)
소음 수준 (L_{WA})	109.5dB(A)
소음 출력 수준 허용공차 (K_{WA})	3dB(A)

진동 총 값

허용되는 최대 크기의 볼트 및 너트 조임 진동 배출값 (a_h)	7m/s ²
허용공차 (K)	1.5m/s ²

5 작업 준비

5.1 배터리 충전

1. 충전하기 전에 충전기의 사용 설명서를 읽으십시오.
2. 배터리 및 충전기의 접점이 청결하고 건조한 상태인지 확인하십시오.
3. 허용되는 충전기에서 배터리를 충전하십시오.



5.2 배터리 삽입

주의

단락 또는 배터리 낙하로 인한 부상 위험!

- ▶ 배터리를 끼우기 전에 배터리의 접점 및 제품의 접점에 이물질이 남아 있지 않은지 확인하십시오.
- ▶ 배터리가 제대로 고정되었는지 확인하십시오.

1. 처음으로 사용하기 전, 배터리를 완전히 충전하십시오.
2. 잠기는 소리가 들릴 때까지 배터리를 기기 홀더 안에 끼우십시오.
3. 배터리가 정확하게 설치되어 있는지 점검하십시오.

5.3 배터리 제거

1. 배터리의 잠금 해제 버튼을 누르십시오.
2. 기기 홀더에서 배터리를 분리하십시오.

5.4 렌치 소켓(공구) 조립

주의

부상위험 잘못된 공구로 인한 부상위험

- ▶ 잠금장치가 있는 공구만 사용하십시오.
- ▶ 마모되거나 손상된 공구를 사용하지 마십시오.

주의

부상위험 마모된 또는 손상된 고정 링에 의해 유발

- ▶ 마모된 또는 손상된 고정 링을 사용하지 마십시오.

1. 정회전/역회전 스위치를 중간 위치로 조정하거나 또는 배터리를 기기로부터 분리하십시오.
2. 소켓을 기기의 4각 드라이브 위에 끼우십시오.



소켓의 마운트에 있는 홈이 4각 드라이브의 홈과 일치하도록 소켓을 정렬하십시오.

3. 다음과 같은 조건이 충족되면, 추가적으로 본 처리 작업을 진행하십시오.

조건: O-링 및 로킹핀 사용 시.

- ▶ O-링을 소켓의 홈에서 제거하십시오. 로킹핀을 소켓 및 4각 드라이브의 홈에 끼우십시오. 그리고 나서 O-링을 다시 소켓의 홈에 끼우십시오.

4. 다음과 같은 조건이 충족되면, 추가적으로 본 처리 작업을 진행하십시오.

조건: 고정 링 사용 시.

- ▶ 고정 링을 소켓에 끼우십시오.

5.5 렌치 소켓(공구) 탈거

1. 정회전/역회전 스위치를 중간 위치로 조정하거나 또는 배터리를 기기로부터 분리하십시오.
2. 소켓에서 리테이너 링 또는 O-링을 로킹핀과 함께 제거하십시오.
3. 기기의 4각 드라이브에서 소켓을 제거하십시오.

5.6 벨트 후크 조립(옵션)

경고

부상위험 기기가 떨어지면서 발생하는 위험.

- ▶ 기기가 떨어질 경우 작업자 및 다른 사람이 다칠 수 있습니다. 작업 시작 전 벨트 후크가 확실하게 고정되었는지 점검하십시오.



벨트 후크로 기기를 신체에 밀착시켜 벨트에 고정시킬 수 있습니다. 벨트 후크는 우측 및 좌측에 착용할 수 있도록 조립할 수 있습니다.

1. 배터리를 제거하십시오. → 페이지 165
2. 벨트 후크를 제품 하단 개구부에 끼우십시오.



2113750

3. 벨트 후크를 두 개의 볼트로 고정시킵니다.

5.7 Hilti 낙하방지장치 장착(옵션)

주의

제품 그리고/또는 밧줄 손상. 부적절하게 취급할 경우 제품 그리고/또는 밧줄이 손상될 수 있습니다.
▶ 금속 체인을 밧줄 용도로 사용하지 마십시오. 길이가 2,0 m (6 ft)가 넘는 밧줄은 사용하지 마십시오.



높은 위치에서 작업 시 손상을 방지할 수 있도록 Hilti 낙하방지장치를 사용할 것을 권장합니다.
낙하방지장치를 이용하여 고정끈/고정 밴드를 고정할 수 있습니다.
제품을 이용해 작업하는 도중 높은 위치에서 작업할 경우, 반드시 관련 국가 규정에 유의하십시오.

1. 배터리를 제거하십시오. → 페이지 165
2. 낙하방지장치의 양쪽 러그를 기기 홀더 양쪽에 있는 슬롯에 끼우십시오.
3. 해당 스크류를 이용하여 낙하방지장치를 고정시키십시오.
4. 배터리를 삽입하십시오. → 페이지 165

6 작업

6.1 정회전/역회전 방향 설정



정회전/역회전 스위치가 중간 위치에 있으면 스위치 ON 로크 역할을 합니다.

- ▶ 정회전/역회전 스위치를 정회전 또는 역회전 위치에 두십시오.

6.2 스위치 켜기

- ▶ 컨트롤 스위치를 누르십시오.
 - ↳ 누르는 깊이를 통해 회전 속도를 제어할 수 있습니다.



제품에 과부하가 걸리지 않도록 하십시오. 과도하게 열이 발생한 경우 몇 분 간 제품을 냉각시키십시오.

6.3 스위치 끄기

- ▶ 컨트롤 스위치에서 손을 떼십시오.

7 관리 및 유지보수

경고

배터리가 끼워진 상태에서 부상 위험!
▶ 관리 및 수리 작업을 진행하기 전에 항상 배터리를 제거하십시오!

기기 관리

- 공구에 부착된 오염물질을 조심스럽게 제거하십시오.
- 마른 솔로 환기 홀을 조심스럽게 청소하십시오.
- 하우징은 약간 물을 적신 천으로만 닦으십시오. 플라스틱 부품을 손상시킬 수 있으므로 절대로 실리콘이 함유된 보호제를 사용하지 마십시오.

리튬 이온 배터리 관리

- 배터리를 오일 및 그리스가 묻지 않도록 깨끗하게 유지하십시오.
- 하우징은 약간 물을 적신 천으로만 닦으십시오. 플라스틱 부품을 손상시킬 수 있으므로 절대로 실리콘이 함유된 보호제를 사용하지 마십시오.
- 습기가 스며들지 않도록 주의하십시오.

유지보수

- 눈에 보이는 모든 부품은 정기적으로 손상 여부를 점검하고 조작 요소가 아무 문제 없이 작동하는지 점검하십시오.



- 손상되었거나 기능 장애가 있는 경우에는 제품을 작동하지 마십시오. 바로 Hilti 서비스 센터에서 수리받으십시오.
- 관리 및 수리 작업 후 모든 보호장치를 가져와 기능을 점검하십시오.

i 안전하게 작동하기 위해서는 순정품 예비 부품 및 소모품만 사용하십시오. 해당 제품에 허용되는 예비 부품, 소모품 및 액세서리는 **Hilti Store** 또는 **에서** 확인할 수 있습니다. www.hilti.group.

8 배터리 기기 운반 및 보관

운반



주의

운반 시 돌발적으로 작동됨!

- ▶ 제품은 항상 배터리를 장착하지 않은 상태로 운반하십시오!
- ▶ 배터리를 분리하십시오.
- ▶ 배터리를 포장하지 않은 채로 운반해서는 절대 안 됩니다.
- ▶ 기기 및 배터리를 장시간 운반한 후에는 사용하기 전에 손상 여부를 점검하십시오.

보관



주의

배터리 결합 또는 방전으로 인한 돌발적인 손상!

- ▶ 제품은 항상 배터리를 장착하지 않은 상태로 보관하십시오!
- ▶ 기기 및 배터리는 최대한 시원하고 건조한 곳에서 보관하십시오.
- ▶ 배터리는 절대 직사광선이 들어오는 곳, 히터 위 또는 유리 뒤쪽에 보관하지 마십시오.
- ▶ 기기와 배터리는 어린이 및 허용되지 않는 사람의 손에 닿지 않도록 하십시오.
- ▶ 기기 및 배터리를 장시간 보관한 후에는 사용하기 전에 손상 여부를 점검하십시오.

9 문제 발생 시 도움말

본 도표에 제시되어 있지 않거나 스스로 해결할 수 없는 문제가 발생한 경우 Hilti 서비스 센터에 문의해 주십시오.

9.1 문제 발생 시 도움말

본 도표에 제시되어 있지 않거나 스스로 해결할 수 없는 문제가 발생한 경우 Hilti 서비스 센터에 문의해 주십시오.

장애	예상되는 원인	해결책
기기가 작동하지 않음.	1개 LED 깜박임: 배터리 비어 있는 상태.	▶ 배터리를 분리하여 충전하십시오.
	배터리가 올바르게 삽입되지 않음.	▶ 배터리가 맞물려 잠기는 소리가 나야 합니다. 배터리를 다시 한번 분리했다가 다시 끼우십시오.
	1개 LED 깜박임: 배터리 과열 또는 과냉.	▶ 배터리를 작동온도로 냉각/가열 하십시오.
컨트롤 스위치가 눌러지지 않음.	4개 LED 깜박임: 공구가 잠시 과부하됨.	▶ 컨트롤 스위치에서 손을 떼고 스위치를 다시 조작하십시오.
	정회전/역회전 스위치가 중간위치에 있음.	▶ 정회전/역회전 스위치를 좌측 또는 우측으로 누르십시오.
회전속도가 과도하게 떨어짐.	배터리가 방전되었음.	▶ 배터리를 분리하여 충전하십시오.
배터리가 소리를 내며 고정되지 않음.	배터리 래치 오염됨.	▶ 래치를 청소하십시오.
배터리가 평소보다 더 빨리 방전됨.	주변 온도가 너무 낮음.	▶ 배터리를 서서히 실내 온도로 가열하십시오.



10 폐기

Hilti 기기는 대부분 재활용이 가능한 소재로 제작되었습니다. 재활용을 위해 개별 부품을 분리하여 주십시오. Hilti는 대부분의 국가에서 재활용을 위해 노후기기를 수거해 갑니다. Hilti 고객 서비스 센터 또는 판매 상담자에게 문의하십시오.

배터리 폐기

배터리를 부적절하게 폐기함으로 인해 가스 또는 용액이 새어나와 건강상의 피해를 입을 수 있습니다.

- ▶ 손상된 배터리는 전달하지 마십시오!
- ▶ 비전도성 소재로 연결 단자를 막아 두어 단락이 발생하지 않게 하십시오.
- ▶ 배터리가 어린이의 손에 닿지 않도록 폐기하십시오.
- ▶ Hilti Store에서 배터리를 폐기하거나 또는 담당 폐기물 처리 업체에 문의하십시오.



- ▶ 전동 공구, 전자식 기기 및 배터리를 일반 가정 쓰레기로 폐기하지 마십시오!
-

11 RoHS (유해물질 사용 제한 지침)

아래 링크에서 유해물질에 관한 도표를 확인할 수 있습니다. qr.hilti.com/r4838535.
RoHS 도표로 이어지는 링크는 본 문서 끝에 QR 코드 형식으로 제시되어 있습니다.

12 제조회사 보증

- ▶ 보증 조건에 관한 질문사항은 Hilti 파트너 지사에 문의하십시오.



1 文件相關資訊

1.1 關於此文件

- 初次操作或使用前，請先詳讀此文件。本文件包含安全前提、疑難排解處理和產品使用。
- 請遵守本文中與產品上的安全說明和警告。
- 操作說明應與產品一起保管，產品交予他人時必須連同操作說明一起轉交。

1.2 已使用的符號說明

1.2.1 警告

警告使用本產品的人員可能發生之危險。採用了以下標示文字：



危險

危險！

- ▶ 此標語警示會發生對人造成嚴重傷害甚至致死的危險情形。



警告

警告！

- ▶ 此標語警示會造成嚴重傷害甚至致死危險的潛在威脅。



注意

注意！

- ▶ 此標語警示可能會發生造成人員受傷，或造成設備及其他財產損壞之危險狀況。

1.2.2 文件中的符號

本文中採用以下符號：



使用前請閱讀操作說明。



使用說明與其他資訊



處理可回收的材料



不可將電子設備與電池當作家庭廢棄物處置

1.2.3 圖解中的符號

圖解中採用了以下符號：



號碼對應操作說明的開始處的圖解



編號代表圖解中的操作步驟順序，可能與內文中的步驟有所不同



項目參考編號用於總覽圖解，並請參閱產品總覽章節中使用的編號



本符號是為了讓您在操作本產品時可以注意某些重點。

1.3 產品專屬符號

1.3.1 產品上的符號

產品上會採用下列符號：



無線資料傳輸



使用Hilti鋰電池類型系列。請遵守用途一節所提供之資訊。



防護等級II（雙重絕緣）



2113750

繁體中文

169

n_0	無負載下的額定速率
/min	每分鐘轉數

1.4 產品資訊

HILTI 產品是指對專業使用者設計，故僅經訓練、認可的人員可操作、維修與維護本產品。必須告知上述人員關於可能遭遇到的特殊危險。若因未經訓練人員操作錯誤或未依照其原本的用途操作，則本產品和它的輔助工具設備有可能會發生危險。

類型名稱和序號都標示於額定銘牌上。

- 在下方表格中填入序號。與Hilti維修中心或當地Hilti機關聯絡查詢產品相關事宜時，我們需要您提供產品詳細資訊。

產品資訊

充電式衝擊扳手	SIW 9-A22
產品代別：	01
機具序號：	

1.5 符合聲明

基於我們唯一的責任，本公司在此聲明本產品符合適用的指示或標準。本文件結尾處有符合聲明之副本。技術文件已歸檔：

Hilti Entwicklungsgesellschaft mbH | Tool Certification | Hiltistrasse 6 | 86916 Kaufering, Germany

2 安全性

2.1 一般電動機具安全警告

警告 請詳閱本電動機具提供的所有安全警告、指示、圖解和說明。未能遵守以下所有指示可能會造成電擊事故、火災和/或嚴重的傷害。

妥善保存所有警示及說明，以供將來參考。

注意事項中的「機具」係指使用電源（有線）或電池（無線）的電動機具。

工作區域安全

- 請保持工作區的清潔與採光充足。雜亂而昏暗的工作區會導致意外發生。
- 勿在容易發生爆炸的環境中使用機具，例如有可燃性液體、瓦斯或粉塵存在的環境。機具產生的火花可能會引燃塵埃或煙霧。
- 操作機具時，請與兒童及旁人保持距離。注意力不集中時容易發生失控的情形。

電力安全

- 機具插頭與插座須能互相搭配。勿以任何方式改裝插頭。勿將任何變壓器插頭和與地面接觸（接地）的電動機具搭配使用。未經改裝的插頭以及能互相搭配的插座可減少發生電擊的危險。
- 避免讓身體接觸到如管線、散熱器、爐灶與冰箱等與土地或地表接觸之物品。如果您的身體接觸到地表或地面，將增加電擊的危險。
- 請勿將機具曝露在下雨或潮濕的環境中。若水氣進入機具中將增加觸電的危險。
- 勿濫用電纜線。勿以電纜線吊掛、拖拉機具或拔下機具插頭。電纜線應避開熱氣、油、銳利的邊緣或移動性零件。電纜線損壞或纏繞會增加發生電擊事故的危險。
- 於室外操作機具時，須使用適用於戶外的延長線。使用適合戶外使用的延長線可降低觸電的風險。
- 如果無法避免在潮濕的地點操作機具，請使用漏電斷路器（RCD）保護電源供應器。使用漏電斷路器（RCD）可降低電擊的風險。

人員安全

- 操作機具時，請提高警覺，注意進行中的工作並善用常識。感到疲勞或受到藥物、酒精或治療的影響時勿使用機具。操作機具時稍不留神就可能造成嚴重的人員傷亡。
- 穿戴個人防護裝備。請隨時穿戴眼罩。適當使用防護面罩、防滑鞋、安全帽及耳罩等安全防護設備可減少人員的傷害。
- 避免不經意的啟動。在接上電源或電池組、抬起或攜帶機具之前，務必確認開關處於關閉的位置。攜帶機具時，如果把手指放在開關上，或在開關開啟時，將機具插上插頭容易發生意外。
- 啟動機具前，應將所有調整鑰匙或扳手移開。將扳手或鑰匙留在機具的旋轉零件中可能會造成人員傷害。
- 勿將手伸出過遠。隨時站穩並維持平衡。這可讓您在意外情況發生時，對機具有較好的控制。



- ▶ 穿著適當服裝。請勿穿著寬鬆的衣服或佩戴珠寶。頭髮、衣服與手套應遠離移動性零件。移動性零件可能會夾到寬鬆的衣服、珠寶或長髮。
- ▶ 如果機具可連接吸塵裝置與集塵設備，請連接並適當使用這些設備。使用集塵裝置可降低與粉塵有關的危險。
- ▶ 請勿因頻繁而習慣使用機具便疏於遵守或忽略機具的安全規範。草率使用可能在轉眼間便造成嚴重的傷害。

機具使用與保養

- ▶ 不可強制使用機具。依據用途使用正確的機具。根據設計的速率使用機具可更快速安全地完成工作。
- ▶ 若無關無法啟動或關閉電動工具時，請勿使用電動工具。任何無法以開關控制的機具都很危險且需要維修。
- ▶ 在進行任何調整、更換配件、或貯放電動機具前，請先將插頭拔離插座和 / 或將電池組自電動機具卸下（如可拆卸）。此預防安全措施可降低機具意外啟動的風險。
- ▶ 將閒置的機具貯放在兒童拿不到的地方，勿讓不熟悉或未詳閱本說明的人員操作本機具。機具在未經訓練的使用者手中是很危險的。
- ▶ 維護機具與配件。請檢查移動性零件有無偏移或黏合的情形、零件有無破損，以及任何會影響機具運轉的狀況。如果機具受損，請先維修後再使用。很多意外便是由維護不當的機具造成的。
- ▶ 保持切割機具的銳利與清潔。具銳利切割邊緣的切割機具如果得到適當的維護，便較不會發生黏合的現象，且較容易控制。
- ▶ 遵守本指示說明使用機具、配件和工具組等，並考量工作條件與待進行的工作。將機具用在原目的之外用途可能會造成危險。
- ▶ 保持握把與其表面的乾燥、清潔且不要讓上面出現油漬。握把及其表面濕滑會在意外情況中造成機具無法安全掌控。

電池機具的使用與保養

- ▶ 務必使用原廠指定的充電器進行充電。將適合特定類型電池的充電器使用在其他電池時，會有造成火災的危險。
- ▶ 務必使用機具特別指定的電池匣。使用其他的電池匣可能會造成受傷或火災。
- ▶ 電池匣未使用時，請將其遠離迴紋針、錢幣、鑰匙、針、固定釘或其他會在電池兩極間形成連結的小型金屬物件。在電池兩極間建立短路可能會造成灼傷或火災。
- ▶ 若使用不當，可能有液體由電池流出；請避免接觸該液體。若不慎接觸，請以清水沖洗。如果不小心讓液體接觸到眼睛，請立即尋求醫療援助。從電池中滲出的液體，可能會導致過敏或灼傷。
- ▶ 請勿使用損壞或改裝過的電池組或機具。受損或改裝過的電池可能會無法正常運作而造成起火、爆炸或受傷的風險。
- ▶ 請勿將電池組或機具暴露在火源或極端的溫度環境中。暴露在火源或溫度超過130° C (265 °F) 的環境下可能會造成爆炸。
- ▶ 請遵守充電操作說明且不要在說明所載的溫度範圍之外為電池組或機具充電。不當充電或在指定溫度範圍外充電均可能造成電池損壞並提高起火的風險。

維修服務

- ▶ 請將機具交給合格的維修人員進行維修，並使用相同的替代零件。這可確保維護機具安全。
- ▶ 請勿自行維修損壞的電池。損壞的電池僅可由製造商或授權的維修商進行維修。

2.2 螺絲起子的其他安全預防措施

人員安全

- ▶ 僅在本產品能正常運轉時使用。
- ▶ 勿嘗試以任何方式改裝機具。
- ▶ 請使用機具隨附的輔助握把。機具失控可能導致人員受傷。
- ▶ 以雙手握持機具的握把。請保持機具握把清潔和乾燥。
- ▶ 若運作時配件工具可能會接觸到隱藏線路，請以握住絕緣握把的方式手持機具。若配件工具與帶電線路接觸，機具的金屬零件也會通電，造成操作員觸電。
- ▶ 避免接觸旋轉中零件 - 有受傷的危險！
- ▶ 使用機具時，請穿戴適當的護目鏡、耳罩、防護手套以及輕型呼吸保護器。
- ▶ 請在更換配件時也戴上防護手套。觸摸配件可能會造成受傷（割傷或燙傷）。
- ▶ 穿戴護目鏡。飛散的碎片可能會傷害身體與眼睛。
- ▶ 在開始作業前，請先針對作業時所產生粉塵之危險等級進行確認。使用符合當地粉塵防治條例，且經法定認為保護等級之工業用吸塵器。含鉛塗料、某些木材及含石英之混凝土 / 石材 / 石頭、礦物質或金屬等材料的粉塵均可能對身體有害。
- ▶ 請確保工作場所所有良好通風，必要時，請依會產生的粉塵類型穿戴適合的口罩。操作人員與旁觀者接觸或吸入粉塵可能會引起過敏及 / 或造成呼吸問題或其他疾病。像是橡木與山毛櫸木材的粉塵已列為致癌物質，尤其是當它們以調濕塗料（鉍酸鹽、木材防腐劑）處理時。材料包含石棉之由專人處理。



- ▶ 請利用工作空檔時休息，並活動您的手指以促進血液循環。長時間暴露在震動下會造成手指、手掌和手腕的血管和神經系統失調。

電力安全

- ▶ 開始工作前，請先檢查工作區域是否有隱藏的電纜線、瓦斯管或水管。若不小心損害電纜線時，機具外部的金屬零件可能會導電而造成電擊的危險。

小心處理與使用電動機具

- ▶ 若配件工具卡住時請立即關閉機具。機具可能會無法控制並偏向一側。
- ▶ 待機具完全停止運作後方可放下機具。

2.3 電池的使用與保養

- ▶ 請遵守適用於搬運、貯放和使用鋰電池的特殊法規和操作說明。
- ▶ 請勿讓電池暴露在高溫下、讓陽光直接照射或接觸火焰。
- ▶ 請勿拆解、擠壓或焚燒電池，且不可將電池置放在溫度超過80°C的環境中。
- ▶ 請勿使用或充電受到機構性衝擊、從高處摔落或有損壞跡象之電池。在此情況下，務必聯絡Hilti維修中心。
- ▶ 若電池溫度過高無法觸摸，表示電池可能已經毀損。此時，可將產品置於可隨時觀察並靜置冷卻的非易燃位置，同時遠離易燃物質。在此情況下，務必聯絡Hilti維修中心。

3 說明

3.1 產品總覽



3.2 用途

本文所述產品為手持充電式衝擊扳手。適合用來鎖緊與鬆開螺帽、螺柱、安卡，以及將螺絲鎖入木材。配件工具 (例如套筒) 需利用中空方頭螺桿安裝。

本衝擊扳手不適合需要精確 / 特定扭力的應用。未遵守此點可能會有螺柱、螺絲或工件鎖得過緊而損壞的危險。

- ▶ 本產品限使用B 22系列Hilti鋰電池。



- ▶ 以上電池限使用C4/36系列Hilti電池充電器。

3.3 配備及數量

衝擊扳手、操作說明。



為確保操作的安全及可靠性，請務必使用原廠Hilti備件與耗材。您可以在Hilti Store或網站：選購Hilti認可的備件、耗材和配件。www.hilti.group | 美國：www.hilti.com

3.4 鋰電池顯示幕

鋰電池上的顯示幕會表示鋰電池的充電狀態和機具的功能故障。按下兩個電池拆卸鈕的其中一個後，將會顯示鋰電池的充電狀態。

狀態	意義
4個LED亮起。	充電狀態：75 %至100 %
3個LED亮起。	充電狀態：50 %至75 %
2個LED亮起。	充電狀態：25 %至50 %
1個LED亮起。	充電狀態：10 %至25 %
1個LED閃爍，表示機具已可使用。	充電狀態：< 10 %
1個LED閃爍，表示機具不可使用。	電池過熱。
4個LED閃爍，表示機具不可使用。	機具已過載或過熱。



按下控制開關然後放開控制開關超過5秒後，將無法顯示電池充電狀態。若電池充電狀態LED燈閃爍，請遵守「故障排除」章節所提供的指示。

4 技術資料

4.1 衝擊扳手機

額定電壓	21.6 V _{DC}
重量 (依據EPTA程序01)	3.6 kg
無負載下額定轉速	1,400 rpm
衝擊頻率	2,200 bpm
操作時的環境溫度	-17 °C ... 60 °C
貯放溫度	-20 °C ... 70 °C

4.2 電池

電池操作電壓	21.6 V
操作時的環境溫度	-17 °C ... 60 °C
貯放溫度	-20 °C ... 40 °C
電池充電啟動溫度	-10 °C ... 45 °C

4.3 噪音資訊和震動值 (依據EN 60745)

操作說明中所提供之音壓和震動值已參照標準測量，並可用來比較不同機具之噪音。它們也可作為噪音量的初步評估。提供之資料表示機具主要應用時之數值。若機具應用於不同之用途，搭配不同的配件工具或在保養不良的情況下，其數據會有所不同。在作業過程中，這會大幅提高其噪音量。當機具關閉，或開啟但未進行任何作業時也應列入考量，才能準確評估噪音量。在作業過程中，這會大幅降低其噪音量。確認其他安全措施，以保護操作員不受噪音和 / 或震動影響，例如：保養機具與其配件工具、操作前保持雙手溫暖、作業型式之安排等。

震動值

釋放的音壓級數 (L _{pA})	98.5 dB(A)
無法判定的音壓級數 (K _{pA})	3 dB(A)



聲功率級數 (L_{WA})	109.5 dB(A)
無法判定的聲功率級數 (K_{WA})	3 dB(A)

總震動

旋緊最大尺寸之螺絲 / 螺栓和螺帽時的震動噪音值 (a_n)	7 m/s ²
無法判定 (K)	1.5 m/s ²

5 工作場所的準備工作**5.1 為電池充電**

1. 電池充電前，請閱讀充電器的操作手冊。
2. 確認電池的接點和充電器的接點清潔且乾燥。
3. 請使用經認可的充電器對電池充電。


5.2 置入電池**⚠ 注意**

有受傷的危險 因短路或電池掉落！

- ▶ 置入電池前，請確認電池的接點及產品的接點上無任何異物。
 - ▶ 確認電池已確實咬合。
1. 初次使用前，請將電池完全充電。
 2. 將電池裝入電池托盤，直到聽見咬合時發出的喀啦聲。
 3. 請檢查電池是否安裝牢固。

5.3 卸下電池

1. 按下電池上的兩顆拆卸鈕。
2. 將電池從裝置的托盤取下。

5.4 安裝套筒 **⚠ 注意**

有受傷的危險 因使用錯誤類型的配件工具！

- ▶ 僅可使用鎖定類型的配件工具。
- ▶ 請勿使用已磨損的配件。

⚠ 注意

有受傷的危險 因磨損或受損的鎖定環造成

- ▶ 切勿使用磨損或受損的鎖定環。
1. 將正轉 / 逆轉開關設定在中間，或將電池自電動機具卸下。
 2. 將套筒放在機具方頭螺桿軸的位置。



轉動套筒，直到套筒凹槽中的孔和方頭螺桿軸的孔呈一直線。

3. 若符合以下條件，請同時採取此行動：

條件：使用O型環和鎖針。

- ▶ 從套筒的溝槽中取出O型環。將鎖針插入筒套和方頭螺桿軸的孔中。然後重新將O型環插入套筒中的溝槽。



- 若符合以下條件，請同時採取此行動：

條件：使用鎖定環。

- ▶ 將鎖定環裝至套筒。

5.5 卸下套筒

- 將正轉 / 逆轉開關設定在中間，或將電池自電動機具卸下。
- 從套筒中取出鎖定環或整個O型環含鎖針。
- 拆下機具方頭螺桿軸上的套筒。

5.6 安裝皮帶掛鉤 (選配)

警告

有受傷的危險！機具掉落會發生危險。

- ▶ 掉落的機具可能會對您以及他人造成傷害。開始作業前，請確認皮帶掛鉤已繫牢。



可使用皮帶掛鉤將機具裝至操作員配戴的皮帶上。本皮帶掛鉤可安裝連接在身體左 / 右側。

- 卸下電池。→ 頁次 174
- 將皮帶掛鉤裝入產品底部所提供的開口。
- 用兩個螺絲固定皮帶掛鉤。

5.7 Hilti安裝固定帶 (選配)

注意

產品及 / 或吊繩受損。不當操作會造成本產品及 / 或吊繩受損。

- ▶ 請勿使用金屬鍊作為吊繩。請勿使用長度超過2,0 m (6 ft)的吊繩。



為避免損壞或受傷，在高處作業時建議使用Hilti固定帶。

固定帶可用於連接固定線或吊繩。

使用本產品作業時，必須遵守於高處作業的相關國家法規。

- 卸下電池。→ 頁次 174
- 將固定帶上的兩個標籤插到底部兩側的槽縫中。
- 使用提供的螺絲將固定帶固定妥當。
- 置入電池。→ 頁次 174

6 工作類型

6.1 正轉或逆轉設定



正轉 / 逆轉開關位於中間具安全鎖功能。

- ▶ 將正轉 / 逆轉開關設定為正轉或逆轉。

6.2 開啟開關

- ▶ 按下控制開關。
 - ↳ 旋轉的速度是由壓按控制開關的深淺調整。



請勿讓本產品過載。如果產品溫度升高，請讓它靜置冷卻數分鐘。



6.3 關閉開關

- ▶ 鬆開控制開關。

7 維護和保養

警告

電池裝入時有受傷的危險！

- ▶ 進行維護及保養前，請務必卸下電池！

機具維護及保養

- 小心地清除頑強的髒污。
- 請使用乾燥的刷子小心清潔通風口。
- 僅能使用微濕軟布清潔外殼。勿使用含硅樹脂的清潔或亮光劑，因為可能會造成塑膠零件損壞。

鋰電池的保養

- 避免電池沾上油脂。
- 只能使用微濕軟布清潔外殼。勿使用含硅樹脂的清潔或亮光劑，因為可能會造成塑膠零件損壞。
- 避免濕氣進入。

維護

- 定期檢查外部零件和控制元件有無損壞跡象，並確認它們運作正常。
- 如果有損壞跡象或任何零件功能故障，請不要操作本產品。請將產品立刻交付Hilti維修中心進行維修。
- 清潔及保養後，裝上所有防護套或保護裝置並檢查功能是否正常。



為確保操作的安全及可靠性，請務必使用原廠Hilti備件與耗材。您可以在Hilti Store或網站：選購Hilti認可的備件、耗材和配件。www.hilti.group

8 充電式機具的搬運與貯放

搬運

注意

搬運時意外啟動！

- ▶ 搬運產品時務必卸下電池！
- ▶ 卸下電池。
- ▶ 切勿以堆疊（分散，未受到保護）的方式運送電池。
- ▶ 長途搬運後，在使用前請檢查機具與電池是否有損壞。

設備的貯放

注意

電池故障或漏液造成的意外損害！

- ▶ 儲存產品時務必將電池卸下！
- ▶ 請儘可能將機具與電池貯放於陰涼乾燥處。
- ▶ 請勿將電池貯放於日光直射處、加熱裝置旁或窗台上。
- ▶ 請將機具與電池貯放在乾燥且兒童或未授權的人員無法觸及的地點。
- ▶ 長時間貯放後，在使用前請檢查機具與電池是否有損壞。

9 故障排除

若您遇到未列出的問題或是無法自行排除的問題，請聯絡Hilti維修中心。

9.1 故障排除

若您遇到未列出的問題或是無法自行排除的問題，請聯絡Hilti維修中心。

故障	可能原因	解決方法
機具無法啟動。	1個LED閃爍：電池電力耗盡。 未正確安裝電池。	▶ 請取下電池並充電。 ▶ 安裝電池時必須聽到卡至定位的聲響。請取下電池並重新安裝。



故障	可能原因	解決方法
機具無法啟動。	1個LED閃爍：電池溫度過高或過低。	▶ 請讓電池冷卻 / 暖機至其作業溫度。
	4個LED閃爍：機具短暫過載。	▶ 鬆開控制開關，接著再按一次。
無法按下控制開關。	正轉 / 逆轉開關位於中間位置。	▶ 將正轉 / 逆轉開關推向左邊或右邊。
轉速明顯下降。	電池電量不足。	▶ 請取下電池並充電。
電池未卡入定位。	電池上的卡榫太髒。	▶ 清潔卡榫。
電池電量消耗比平常快。	周遭環境溫度極低。	▶ 將電池放在室溫下使其溫度慢慢上升。

10 廢棄設備處置

Hilti機具或設備所採用的材料大部分均可回收再利用。材料在回收前必須正確地分類。在許多國家中，您可以將舊機具及設備送回Hilti進行回收。詳情請洽Hilti維修中心，或當地Hilti代理商。

電池處置

不當處理電池會造成有害健康之氣體或液體。

- ▶ 請勿以郵寄方式寄送電池！
- ▶ 將電池端子蓋上不導電物質（例如絕緣膠帶）以避免短路。
- ▶ 請將電池棄置於兒童無法觸及的地方。
- ▶ 請將該電池送交Hilti Store處理，或參考所在地的垃圾處理管轄機構或公共健康與安全機關之處理說明。



- ▶ 請勿將機具、電子設備或電池當作一般家用廢棄物處理！

11 RoHS (有害物質限制指令)

按一下本連結可前往危險物質表：qr.hilti.com/r4838535。
您可在文件最後找到QR碼格式的RoHS表連結。

12 製造商保固

- ▶ 如果您對於保固條件有任何問題，請聯絡當地Hilti代理商。



1 文档信息

1.1 关于该文档

- 首次操作或使用前，请先阅读本文档。这是安全、无故障地操作和使用产品的前提条件。
- 请遵守本文档中以及产品上的安全说明和警告。
- 请务必将本操作说明与本产品保存在一起，确保将操作说明随产品一起交给他人。

1.2 使用符号的说明

1.2.1 警告

警告是为了提醒您在处理或使用此产品时会发生的危险。使用以下信号词：



危险！

- ▶ 用于让人们能够注意到会导致严重身体伤害或致命的迫近危险。



警告！

- ▶ 用于提醒人们注意可能导致严重或致命伤害的潜在危险。



小心！

- ▶ 用于提醒人们注意可能导致轻微人身伤害、设备损坏或其他财产损失的潜在危险情形。

1.2.2 文档中的符号

本文档中使用下列符号：



请在使用之前阅读操作说明。



使用说明和其他有用信息



处理可回收材料



不得将电气设备和电池作为生活垃圾处置

1.2.3 图示中的符号

图示中使用了下列符号：



这些编号指本操作说明开始处的相应图示。



图示中的编号反映操作顺序，可能与文本中描述的步骤不同。



概览图示中使用了项目参考号，该参考号指的是产品概览部分中使用的编号。



这些符号旨在提醒您在操作本产品时要特别注意的某些要点。

1.3 与产品相关的符号

1.3.1 产品使用的符号

产品使用的符号如下：



无线数据传输



使用 Hilti 锂离子电池类型系列。请遵守“预期用途”一章中所述信息。



保护等级 II (双重绝缘)



n_0	空载下的额定转速
/min	每分钟转数

1.4 产品信息

HILTI 产品经设计适用于专业用户，只有经过专门训练的授权人员才允许操作、维修和维护本产品。必须将任何可能的危险专门告知该人员。不按照既定用途使用或由未经培训的人员不正确地使用本产品及其辅助设备可能会带来危险。

型号名称和序列号印在铭牌上。

- ▶ 在下表中填写序列号。在联系 Hilti 维修中心或当地 Hilti 机构询问产品时，将要求您提供产品的详细信息。
产品信息

充电式冲击扳手机	SIW 9-A22
分代号：	01
序列号：	

1.5 符合性声明

按照我们单方面的责任，我们声明本产品符合下列适用指令和标准：一致性声明副本位于本文档结尾处。技术文档在此处归档：

Hilti Entwicklungsgesellschaft mbH | Tool Certification | Hiltistrasse 6 | 86916 Kaufering, Germany

2 安全

2.1 一般电动工具安全警告

⚠ 警告 请阅读本电动工具随附的所有安全警告、说明、图示和技术规范。不遵守下列所有操作说明可能会导致电击、火灾和/或严重人身伤害。

请保存所有安全警告和操作说明，以供将来参考。

在所有下列的警告中术语“电动工具”指市电驱动(有线)电动工具或电池驱动(无线)电动工具。

工作区域安全

- ▶ 保持工作区域清洁和良好照明。杂乱和黑暗的区域容易导致事故。
- ▶ 不要在爆炸性环境中操作电动工具，例如有易燃液体、气体或灰尘。电动工具会产生可以点燃这些灰尘或烟雾的火花。
- ▶ 在操作电动工具时，要令儿童和旁观者远离工作现场。万一分心，可能会使您失去对电动工具的控制。

电气安全

- ▶ 电动工具(设备)插头必须匹配电源插座。切勿以任何方式改动插头。对于接地的电动工具(设备)，不要使用任何适配器插头。使用未经改动的插头和匹配的电源插座可以大大减少电击危险。
- ▶ 避免人体接触接地表面，如管道、散热片和冰箱。如果您的身体接地，则会增加电击危险。
- ▶ 不要将电动工具暴露在雨水或潮湿环境中。电动工具进水将会增加电击危险。
- ▶ 不要滥用电缆。切勿使用电缆运送、拉动或拔出电动工具。保持电缆远离高温、油、锋利边缘或运动部件。电缆损坏或缠绕会增加电击危险。
- ▶ 当在户外操作电动工具时，应使用经认可适合户外操作的加长电缆。使用适合户外使用的电缆可减少电击危险。
- ▶ 如果在潮湿环境下操作电动工具是不可避免的，应使用剩余电流动作保护器(RCD)。使用 RCD 可减小电击危险。

人身安全

- ▶ 保持警觉，注意您正在进行的工作，并在操作电动工具的过程中，应利用自己的判断能力。当您疲劳或受到药物、酒精或医疗影响时，请不要使用电动工具。当操作电动工具时，瞬间的分心都可能导致严重的人身伤害。
- ▶ 使用个人防护装备。一定要戴上护目装置。安全装置，诸如适当条件下使用防尘面具、防滑安全鞋、安全帽、听力防护等装置能减少人身伤害。
- ▶ 防止电动工具意外启动。在连接至电源和/或电池组、拿起或搬运电动工具之前，应确保开关处于“关闭”位置。将手指放在开关上搬运电动工具或在开关处于“打开”位置时接通电源，都可能会导致事故发生。
- ▶ 在打开电动工具之前，必须拿掉任何调整键或扳手。让扳手或调整键留在电动工具的旋转部件上可能会导致人身伤害。
- ▶ 不要操之过急。应时刻保持正确的站姿和平衡。这在意外情况下能够更好地控制电动工具。



2113750

中文 179

- ▶ 应确保正确着装。不要穿着松垮的衣服或佩戴首饰。让头发和衣服远离运动部件。松垮的衣服、首饰或长发会卡在运动部件中。
- ▶ 如果提供有用于连接除尘和集尘设施的装置，应确保将它们连接好并正确使用。使用除尘装置可以减少与灰尘相关的危险。
- ▶ 经常使用工具能令您获得较高的熟练度，但不能因此掉以轻心和忽视工具安全准则。一次不慎操作就会在瞬间导致重伤。

电动工具的使用和维护

- ▶ 不要强制使用电动工具。针对您的应用场合使用正确的电动工具。正确的电动工具在其额定设计值范围内将能够更好和更安全地工作。
- ▶ 如果通过开关不能使其打开和关闭，则请不要使用电动工具。任何不能通过开关进行控制的电动工具都是危险的，必须对其进行修理。
- ▶ 在进行任何调整、更换配件或存放电动工具之前，应从电源上断开插头和/或从电动工具上拆下电池组（若可拆卸）。此预防性安全措施可减少意外启动电动工具的危险。
- ▶ 将不用的电动工具存放在儿童拿不到的地方，并且不要让不熟悉电动工具或其操作说明的人员操作电动工具。未经培训的用户操作电动工具是危险的。
- ▶ 维护电动工具和配件。检查是否存在运动部件失调或卡滞、部件断裂和任何其它影响电动工具操作的情况。如果存在损坏，则在使用之前应修理电动工具。许多事故都是由于电动工具维护不良造成的。
- ▶ 保持切削工具锋利和清洁。带锋利切削刃的切削工具如果维护得当，很少会发生卡滞且更容易控制。
- ▶ 按照使用说明书，考虑作业条件和进行的作业来使用电动工具、附件和工具的刀头等。将电动工具用于指定用途以外的场合会导致危险。
- ▶ 使手柄和抓握面保持干燥、清洁且没有油脂。如果手柄和抓握面打滑，将无法在意外情况下安全操作或控制本工具。

无绳（电池操作）工具/设备的使用和维护

- ▶ 充电时只能使用制造商指定的充电器。适合某种类型电池组的充电器如果被用于为另一类型电池组充电，则可能会带来火灾危险。
- ▶ 只能使用专用电池组为电动工具供电。使用任何其它电池组可能会带来人身伤害和火灾。
- ▶ 当电池组不用时，应使其远离其它金属物体，例如纸夹、硬币、钥匙、钉子、螺钉或其它小的金属物体，以免造成短路。如果电池端子被短路，则会造成人员烧伤或火灾。
- ▶ 如果持续滥用电池，则可能会造成液体从电池中喷射出来；注意避免接触到液体。如果意外接触到液体，应用水冲洗。如果液体接触眼睛，除了用大量清水冲洗外，还应立即就医。从电池中喷射出来的液体会导致疼痛或灼伤。
- ▶ 不要使用损坏或改装过的电池组或工具。损坏或改装过的电池会造成不可预测的情形，导致火灾、爆炸或受伤风险。
- ▶ 不要将电池组或工具暴露在明火或过高的温度中。暴露在明火或超过 130 °C (265 °F) 温度中可能导致爆炸。
- ▶ 遵守所有充电说明，且不要在使用说明规定的温度范围之外对电池组或工具充电。充电不正确或在规定温度范围之外充电会损坏电池并增加火灾风险。

保养

- ▶ 将您的电动工具送交专业维修人员，使用同样的备件进行修理。这样才能确保维持电动工具（设备）的安全性。
- ▶ 切勿擅自维修损坏的电池组。仅可由制造商或授权服务提供商执行电池组的维修。

2.2 起子机附加安全预防措施

人身安全

- ▶ 请仅在产品处于完美运转状态的情况下使用它。
- ▶ 不得以任何方式篡改或改动本工具。
- ▶ 使用随工具提供的辅助把手。对工具失去控制可能会导致人身伤害。
- ▶ 请务必用双手通过提供的把手握住电动工具。保持把手清洁干燥。
- ▶ 配套工具可能会接触到隐藏的线束，工作时应握住电动工具绝缘把手表面。如果配套工具接触到带电电线，电动工具的金属部件也将带电，从而导致操作人员受到电击。
- ▶ 避免接触旋转零件 - 人身伤害的危险！
- ▶ 使用工具时，必须佩戴适当的护目镜、安全帽、护耳装置、防护手套和轻型呼吸防护装置。
- ▶ 更换配件工具时，戴上防护手套。触摸配套工具会带来伤害风险（割伤或烫伤）。
- ▶ 请戴上护目装置。飞溅的碎片有导致身体和眼睛受伤的风险。
- ▶ 在开始工作之前，应测定工作时会产生的粉尘的危险等级。使用具有官方认可防护等级的工业真空吸尘器，并遵守当地适用的粉尘防护规定。一些材料产生的粉尘（例如含铅油漆、某些类型的木材以及含有石英、矿物或金属的混凝土/砖石/石块）可能对人体健康有害。



- ▶ 确保工作场所通风良好，必要时佩戴适用于产生的粉尘类型的呼吸器。接触或吸入这些粉尘可能会导致操作者或旁观者出现过敏性反应和/或呼吸疾病或其他疾病。某些类型的粉尘（例如橡木尘和榉木尘）被归类为致癌物，特别是在与木材调节添加剂（铬酸盐、木材防腐剂）相结合时。含石棉的材料只能由专业人员进行处理。
- ▶ 工作间隙抽时间休息并做体育锻炼，改善手指的血液循环状况。工作期间长时间暴露于振动环境中可能导致手指、手掌和手腕部位血管和神经系统紊乱。

电气安全

- ▶ 开始工作之前，检查工作区域是否有隐蔽的电缆或天然气和水管。如果电缆意外损坏，电动工具的外部金属件可能带电，并存在电击危险。

小心操作和使用电动工具

- ▶ 如果配套工具卡住，应立即关闭电动工具。电动工具可能会跑偏并转向一侧。
- ▶ 等待电动工具完全停止后再将其放下。

2.3 电池的使用和维护

- ▶ 遵守与锂离子电池的运输、储存和使用相关的特殊规定和适用说明。
- ▶ 不要将电池暴露在高温、直射阳光或明火环境下。
- ▶ 请勿拆开、挤压或烧毁电池，不要让它们暴露于超过 80 °C 的高温下。
- ▶ 如果电池受到过物理冲击、从高处跌落过或表现出损坏迹象，则不得使用电池或为其充电。在这种情况下，请务必联系您的 **Hilti 维修中心**。
- ▶ 如果电池发热烫手，则可能有故障。在这种情况下，将产品放在不易燃的地方，远离易燃材料，一边观察电池情况，一边等待其冷却。在这种情况下，请务必联系您的 **Hilti 维修中心**。

3 说明

3.1 产品概述



3.2 预期用途

所述产品为手持充电式冲击扳手。其专为拧紧/拧松螺母、螺栓和钢筋，以及驱动木螺钉而设计。配套工具 (如套筒) 使用带通孔的方榫进行固定。




2113750

冲击扳手仅可用于不要求精度/特定扭矩的应用场合。如未遵守这一点，则会导致过度拧紧并对螺栓、螺钉或工件造成损坏。

- ▶ 本产品仅可与 Hilti B 22 系列锂离子电池搭配使用。
- ▶ 此类电池仅可使用 Hilti C4/36 系列电池充电器充电。

3.3 供应的部件


冲击扳手操作说明。

 为确保操作安全可靠，请仅使用 Hilti 原装备件和消耗品。经 Hilti 批准可与本产品搭配使用的备件、消耗品和配件可以在您当地的 **Hilti Store** 购买或访问 www.hilti.group | 美国：www.hilti.com 在线订购

3.4 锂离子电池显示屏

锂离子电池充电状态和电动工具的故障由锂离子电池上的显示屏进行指示。按下两个电池释放按钮中的一个后，可以显示锂离子电池的充电状态。

状态	含义
4 个 LED 亮起。	充电状态：75% 至 100%
3 个 LED 亮起。	充电状态：50% 至 75%
2 个 LED 亮起。	充电状态：25% 至 50%
1 个 LED 亮起。	充电状态：10% 至 25%
1 个 LED 闪烁，电动工具处于备用状态。	充电状态：< 10%
1 个 LED 闪烁，电动工具未处于备用状态。	电池过热。
4 个 LED 闪烁，电动工具未处于备用状态。	电动工具过载或过热。

 按下控制开关 5 秒，松开开关之后，将不会显示电池的充电状态。如果电池显示屏 LED 闪烁，请按照“故障排除”章节中提供的说明进行操作。

4 技术数据

4.1 冲击扳手

额定电压	21.6 V _{DC}
重量 (按照 EPTA 程序 01)	3.6 kg
空载下的额定转速	1,400 rpm
冲击频率	2,200 bpm
工作环境温度	-17 °C ... 60 °C
存放温度	-20 °C ... 70 °C

4.2 电池

电池工作电压	21.6 V
工作环境温度	-17 °C ... 60 °C
存放温度	-20 °C ... 40 °C
电池充电起始温度	-10 °C ... 45 °C

4.3 噪音信息和振动值按照 EN 60745 标准

这些说明中给出的声压和振动值按照标准化测试的要求测得，可用于比较一种电动工具与另一种电动工具。它们还可用于初步评价受振动影响的程度。提供的数据代表本电动工具的主要应用。但是，如果将电动工具用于不同的应用、使用不同的配件工具或维护不良，则数据可能不同。这可能会显著增加操作者在整个工作期间受振动影响的程度。对受振动影响程度的准确估计还应考虑当关闭电动工具或当它运行但实际未进行工作时的情况。这可能会显著减小操作者在整个工作期间受振动影响的程度。此外，应确定附加安全措施，以保护操作者免受噪音和/或振动影响，例如：正确维护电动工具和配套工具、保持双手温暖、合理安排工作方式。



噪声排放值

排放声压级 (L_{pA})	98.5 dB(A)
声压级的不确定性 (K_{pA})	3 dB(A)
声功率级 (L_{WA})	109.5 dB(A)
声功率级的不确定性 (K_{WA})	3 dB(A)

总振动物量

以最大允许尺寸拧紧螺钉/螺栓和螺母时的振动排放值 (a_h)	7 m/s ²
不确定性 (K)	1.5 m/s ²

5 工作现场的准备工作

5.1 为电池充电

1. 为电池充电之前，请阅读充电器的操作说明。
2. 确保电池和充电器上的触点均清洁、干燥。
3. 使用认可的充电器为电池充电。

5.2 插入电池



电池短路或跌落 有导致受伤的危险！

- ▶ 插入电池之前，确保产品上的触点以及设备上的触点均无异物。
- ▶ 确保电池接合正确。

1. 在首次使用电池之前，要给电池完全充电。
2. 将电池推入电池座中，直至听到它接合的“咔哒”声。
3. 检查并确认电池已可靠就位。

5.3 拆下电池

1. 按下电池上的释放按钮。
2. 将电池从设备的电池座中拔出。

5.4 安装套筒 2



使用错误类型的配套工具 会导致人身伤害风险！

- ▶ 请仅使用锁止类型的配套工具。
- ▶ 不要使用已磨损或损坏的配套工具。



有受伤危险 由已磨损或损坏的锁止环导致受伤

- ▶ 切勿使用已磨损或损坏的锁止环。

1. 将前进/后退开关设置到中间位置或将电池从电动工具中取出。
2. 将套筒置于本工具的方榫主轴上。



转动套筒，直到套筒凹槽中的孔与方榫主轴上的孔对齐。



3. 如果以下条件满足，需进行此操作：

条件: 带 O 形环和锁销。

- ▶ 将 O 形环从套筒的凹槽中取出。将锁销插入套筒和方榫主轴的孔中。然后将 O 形环重新插到套筒的凹槽中。

4. 如果以下条件满足，需进行此操作：

条件: 带锁止环。

- ▶ 将锁止环安装到套筒内。

5.5 卸下套筒

1. 将前进/后退开关设置到中间位置或将电池从电动工具中取出。
2. 将锁止环或带锁销的 O 形环从套筒上卸下。
3. 将套筒从本工具的方榫主轴上卸下。

5.6 安装皮带钩 (选装)



警告

人身伤害的危险！电动工具掉落带来的危险。

- ▶ 如果电动工具掉落，则可能会对您或他人造成人身伤害。在开始工作之前，检查并确保带钩已可靠安装。



使用皮带钩可将电动工具挂在操作者佩戴的背带上。安装好皮带钩后，可将电动工具挂在身体的左侧或右侧。

1. 拆下电池。→ 页码 183
2. 将皮带钩插入产品底座的开口中。
3. 用两个螺钉将皮带钩固定住。

5.7 安装 Hilti 固定带 (选装)



注意

本产品/或系索损坏。操作不正确可能导致本产品/或系索损坏。

- ▶ 不要使用金属链条作为系索。不得使用长度超过 2,0 m (6 ft) 的系索。



为避免造成损坏和人身伤害，高空作业时最好使用 Hilti 固定带。可以在固定带上连接安全绳或系索。使用本产品时，必须遵守有关高空作业的国家规定。

1. 拆下电池。→ 页码 183
2. 将固定带上的两个插舌插入底座两侧的插槽中。
3. 用随附的螺钉将固定带固定住。
4. 插入电池。→ 页码 183

6 工作类型

6.1 设置前进或后退旋转



在中间位置时，前进/后退选择开关可用作安全锁。

- ▶ 将前进/后退选择开关设置到向前或反向旋转。



6.2 打开

- ▶ 按下控制开关。
 - ↳ 旋转的速度由控制开关被按入的深浅进行调节。



请勿使产品过载。如果本产品过热，请将其冷却几分钟。

6.3 关闭

- ▶ 释放控制开关。

7 维护和保养



-警告-

插入电池时存在人身伤害危险！

- ▶ 执行维护和保养任务之前，请务必先取出电池。

本工具的维护和保养

- 小心地清除顽固污渍。
- 使用干燥的刷子小心清洁通风孔。
- 请仅使用略湿的布清洁壳体。不要使用含硅清洁剂，否则可能腐蚀塑料件。

锂离子电池的保养

- 确保电池远离油和油脂。
- 请仅使用略湿的布清洁壳体。不要使用含硅清洁剂，否则可能腐蚀塑料件。
- 注意避免湿气侵入。

维护

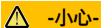
- 定期检查所有可见部件和控制器是否出现损坏迹象，确保其全部正常工作。
- 如果发现损坏迹象或如果有部件发生故障，不要操作本产品。立即将产品交由 Hilti 维修中心修复。
- 清洁和维护之后，安装所有护板或保护装置，检查并确认其正常工作。



为确保安全和可靠的操作，仅限使用喜利得原装备件和消耗品。Hilti 批准用于配合产品使用的备件、消耗品和配件可到您当地的 Hilti Store 购买或通过以下网址在线订购：www.hilti.group。

8 运输和存放无绳工具

运输



-小心-

运输途中的意外启动！

- ▶ 运输产品前务必将电池取出！
- ▶ 拆下电池。
- ▶ 切勿松散、未加保护地运输大批量电池。
- ▶ 在长时间运输后使用前，检查工具和电池是否损坏。

存放



-小心-

电池故障或泄漏导致的意外损坏！

- ▶ 存放产品前务必将电池取出！
- ▶ 将工具和电池存放在尽量凉爽和干燥的地方。
- ▶ 切勿将电池存放在阳光直射位置、加热单元上或窗玻璃后。
- ▶ 将工具和电池存放在儿童或非授权人员无法接近的干燥位置。
- ▶ 工具和电池经过长期存放后，在使用之前，检查其是否受损。

9 故障排除

如果您碰到的问题未在此表中列出或您无法自己实施补救措施，请联系 Hilti 服务部门。



2113750

中文 185

9.1 故障排除

如果您碰到的问题未在此表中列出或您无法自己实施补救措施，请联系 **Hilti** 服务部门。

故障	可能原因	解决方案
电动工具不启动。	1 个 LED 闪烁：电池电量耗尽。	▶ 取出电池，然后将其充电。
	电池安装不正确。	▶ 必须听见电池接合的声音。拆下电池并将其重新安装。
	1 个 LED 闪烁：电池过热或过冷。	▶ 使电池冷却/预热至其工作温度。
	4 个 LED 闪烁：电动工具短时间过载。	▶ 释放控制开关，然后再次将其按下。
不能按下控制开关。	前进/后退选择开关处于中间位置。	▶ 将前进/后退开关推向左侧或右侧。
旋转速度大幅下降。	电池电量低。	▶ 取出电池，然后将其充电。
没有听到电池接合声。	电池上的固定凸耳脏污。	▶ 清洁固定凸耳。
电池比平常更快耗尽。	非常低的环境温度。	▶ 将电池缓慢预热至室温。

10 废弃处置

大部分用于 **Hilti** 工具和设备生产的材料是可回收利用的。在可以回收之前，必须正确分离材料。在很多国家，您的旧工具、机器或设备可送至 **Hilti** 进行回收。敬请联系 **Hilti** 维修中心或 **Hilti** 代表获得更多信息。

电池处置

电池处置不当可能会造成漏气或漏液，最终导致健康危害。

- ▶ 不得通过邮寄方式发送电池！
- ▶ 用非导电材料（比如绝缘带）包住端子，以防止短路。
- ▶ 在儿童接触不到的地方处置电池。
- ▶ 请至 **Hilti Store** 处置电池，或咨询当地政府下属的垃圾处置或公共健康和机构，以获取处置说明。



- ▶ 不得将电动工具、电子设备或电池作为生活垃圾处置！

11 RoHS (有害物质限制)

单击链接跳转至有害物质表：qr.hilti.com/r4838535。

文档末尾提供跳转至 RoHS 表的二维码链接。

12 制造商保修

- ▶ 如果您有保修条件方面的问题，请联系您当地的 **Hilti** 公司代表。





Hilti Corporation
Feldkircherstraße 100
9494 Schaan | Liechtenstein

SIW 9-A22 (01)

[2018]

2006/42/EC

EN ISO 12100

2011/65/EU

EN 60745-1

2014/30/EU

EN 60745-2-2

Schaan, 07/2018

Paolo Luccini

Head of Quality and
Process-Management
BA Electric Tools & Accessories

Tassilo Deinzer

Executive Vice President
BU Electric Tools & Accessories





Hilti Corporation
LI-9494 Schaan
Tel.:+423 234 21 11
Fax:+423 234 29 65
www.hilti.group



2164701



Hilti Connect



2113750