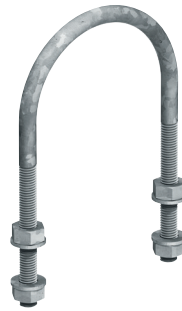
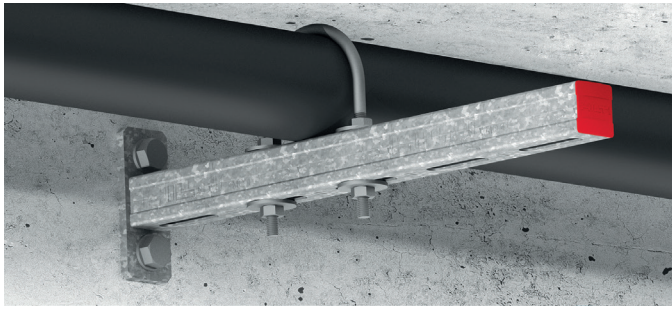


U-Bolt MP-UB (metric)

Galvanized U-bolts for universal pipe applications



Applications

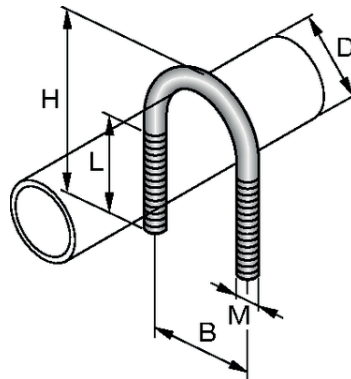
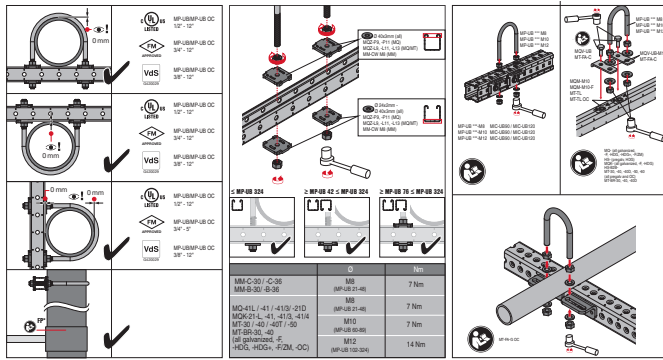
- Universal pipe fixation up to 24"
- Single point fixation for Sprinkler applications up to 324 mm/12"
- Recommended for use in dry, interior environments

Advantages

- Suitable for suspended or standing installation applications
- Small contact surface between U-bolt and pipe
- Channel through bolting up to a diameter of 324mm/12"
- Approved for sprinkler applications under VdS
- Approved for sprinkler applications under UL/NFPA
- Approved for sprinkler applications under FM

Technical data

Material Composition	Q235B - ASTM A36
Base material	Steel, concrete, wood
Insulation	without
Coating material	Galvanized
Approvals	VdS, UL/NFPA, FM



Item Description	Diameter D	H	L	B	M	Pack size	Item Number
MP-UB 21 1/2" M8	23,8 mm	93 mm	70 mm	32 mm	M8	40 Pcs	2288380
MP-UB 26 3/4" M8	29,4 mm	98 mm	70 mm	37 mm	M8	40 Pcs	2288381
MP-UB 33 1" M8	36,2 mm	103 mm	70 mm	44 mm	M8	20 Pcs	2288382
MP-UB 42 1-1/4" M8	44,9 mm	113 mm	70 mm	53 mm	M8	20 Pcs	2288383
MP-UB 48 1-1/2" M8	50,8 mm	118 mm	75 mm	59 mm	M8	20 Pcs	2288384
MP-UB 60 2" M10	63,2 mm	135 mm	85 mm	73 mm	M10	10 Pcs	2288385
MP-UB 76 2-1/2" M10	79 mm	150 mm	85 mm	89 mm	M10	10 Pcs	2288386
MP-UB 89 3" M10	91,8 mm	165 mm	85 mm	102 mm	M10	10 Pcs	2288387
MP-UB 102 3-1/2" M12	104,5 mm	177 mm	85 mm	116 mm	M12	10 Pcs	2288388
MP-UB 108 M12	110,9 mm	182 mm	85 mm	123 mm	M12	10 Pcs	2288389
MP-UB 114 4" M12	117,2 mm	192 mm	85 mm	129 mm	M12	10 Pcs	2288390
MP-UB 133 M12	136,7 mm	212 mm	85 mm	149 mm	M12	10 Pcs	2288391
MP-UB 139 5" M12	143,4 mm	217 mm	85 mm	155 mm	M12	10 Pcs	2288392
MP-UB 159 M12	162,7 mm	237 mm	85 mm	175 mm	M12	10 Pcs	2288393
MP-UB 168 6" M12	172 mm	247 mm	85 mm	184 mm	M12	2 Pcs	2288394
MP-UB 219 8" M12	222,8 mm	297 mm	85 mm	235 mm	M12	2 Pcs	2288395
MP-UB 273 10" M12	277,5 mm	352 mm	85 mm	289 mm	M12	2 Pcs	2288396
MP-UB 324 12" M12	328,4 mm	402 mm	85 mm	340 mm	M12	2 Pcs	2288397