

HILTI

SIW 22T-A

Operating instructions

Mode d'emploi

Brugsanvisning

Bruksanvisning

Bruksanvisning

Käyttöohje

Инструкция по эксплуатации

Kullanma Talimatı

دليل الاستعمال

Lietošanas pamācība

Instrukcija

Kasutusjuhend

ІНСТРУКЦІЯ З ЕКСПЛУАТАЦІЇ

Пайдалану бойынша басшылық

取扱説明書

사용설명서

操作説明書

操作说明书

en

fr

da

sv

no

fi

ru

tr

ar

lv

lt

et

uk

kk

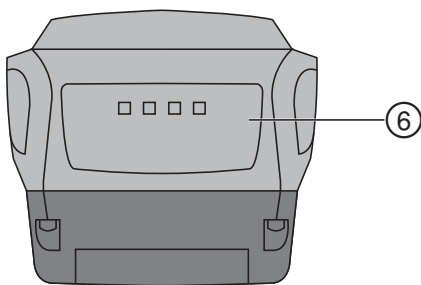
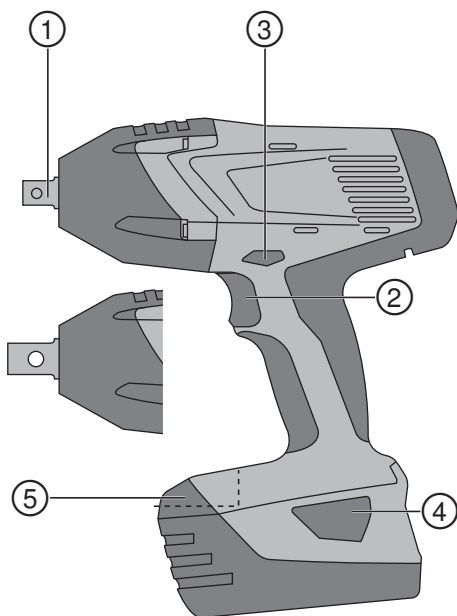
ja

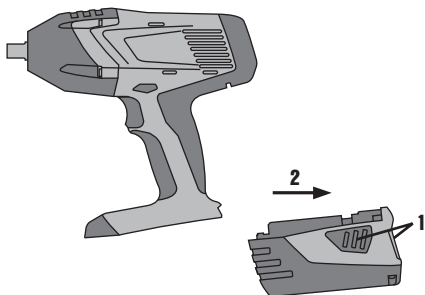
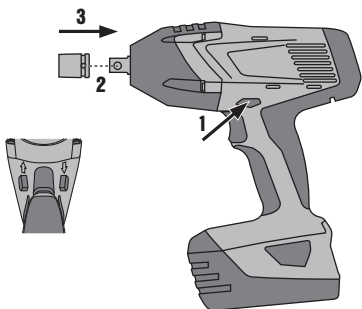
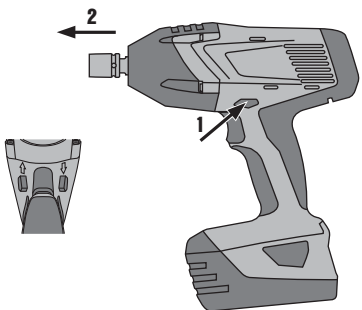
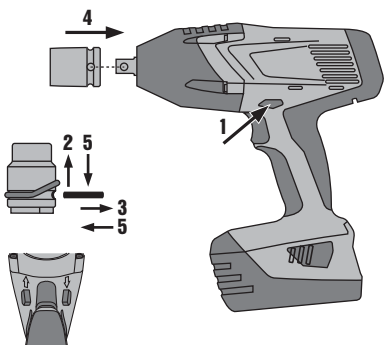
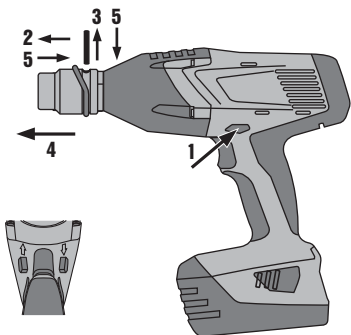
ko

zh

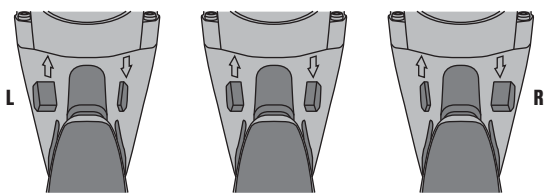
cn



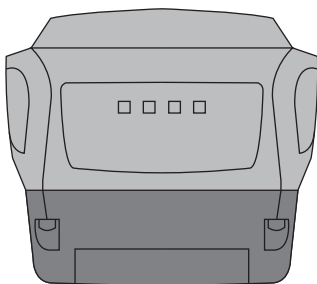


2**3****4****5****6**

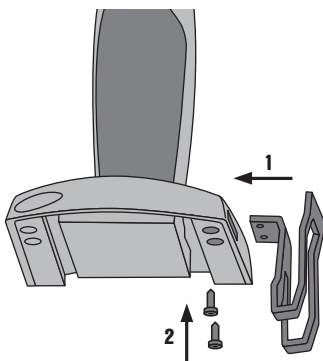
7



8



9



ORIGINAL OPERATING INSTRUCTIONS

SIW 22T-A cordless impact wrench

en

It is essential that the operating instructions are read before the power tool is operated for the first time.

Always keep these operating instructions together with the power tool.

Ensure that the operating instructions are with the power tool when it is given to other persons.

Contents

1	General information	1
2	Description	2
3	Accessories	3
4	Technical data	4
5	Safety instructions	5
6	Before use	8
7	Operation	9
8	Care and maintenance	11
9	Troubleshooting	12
10	Disposal	12
11	Manufacturer's warranty - tools	13
12	EC declaration of conformity (original)	13

1 These numbers refer to the corresponding illustrations. The illustrations can be found on the fold-out cover pages. Keep these pages open while studying the operating instructions.

In these operating instructions, the designation "power tool" refers to the SIW 22T-A cordless impact wrench with battery fitted.

Operating controls and parts **1**

- 1 Chuck
- 2 Control switch (with electronic speed control)
- 3 Forward / reverse selector switch with transport lock
- 4 Release buttons with additional function (charge status display activation)
- 5 Type identification plate
- 6 Charge status and fault display (Li-ion battery)
- 7 Belt hook (optional)

1 General information

1.1 Safety notices and their meaning

DANGER

Draws attention to imminent danger that will lead to serious bodily injury or fatality.

WARNING

Draws attention to a potentially dangerous situation that could lead to serious personal injury or fatality.

CAUTION

Draws attention to a potentially dangerous situation that could lead to slight personal injury or damage to the equipment or other property.

NOTE

Draws attention to an instruction or other useful information.

1.2 Explanation of the pictograms and other information

Warning signs



General warning



Warning: electricity



Warning: caustic substances

Obligation signs



Wear eye protection



Wear a hard hat



Wear ear protection



Wear protective gloves



Wear breathing protection

Symbols



Read the operating instructions before use



Return waste material for recycling.



Volts



Direct current

n_0

Rated speed under no load

/min

Revolutions per minute

Location of identification data on the power tool

The type designation can be found on the type identification plate and the serial number on the side of the motor housing. Make a note of this data in your operating instructions and always refer to it when making an enquiry to your Hilti representative or service department.

Type:

Generation: 01

Serial no.:

2 Description

2.1 Use of the product as directed

The SIW 22T-A is a hand-held cordless impact wrench. It is suitable for tightening and releasing nuts, bolts, anchors and wood screws. Working on materials hazardous to the health (e.g. asbestos) is not permissible.

Nationally applicable industrial safety regulations must be observed.

Do not use the battery as a power source for other unspecified appliances.

Modification of the power tool or tampering with its parts is not permissible.

To avoid the risk of injury, use only genuine Hilti accessories and insert tools.

The power tool should not be used for applications that require a precise torque. For applications which require a precise torque or where only a special limited torque is permitted, there is a risk of over-tightening and damage to the screw or workpiece. For these types of application, use a tool with a predefined torque setting to prevent over-tightening.

Observe the information printed in the operating instructions concerning operation, care and maintenance.

The power tool is designed for professional use and may be operated, serviced and maintained only by trained, authorized personnel. This personnel must be informed of any special hazards that may be encountered. The power tool and its ancillary equipment may present hazards when used incorrectly by untrained personnel or when used not as directed.

The working environment may be as follows: construction site, workshop, renovation, conversion or new construction.

2.2 Chuck

½" square drive with ball-notch retention

¾" square drive with locking pin

2.3 Switches

Control switch with electronic speed control

Forward / reverse selector switch with safety lock

2.4 The items supplied include (toolbox versions):

- 1 Power tool
- 1 Operating instructions
- 1 Hilti toolbox

2.5 The items supplied include (cardboard box versions):

- 1 Power tool
- 1 Operating instructions

2.6 Additional items required for operating the tool

B 22/2.6 Li-Ion or B 22/3.3 Li-Ion battery with C4/36-90, C4/36-350, C 4/36, C 4/36-ACS or C 4/36-ACS TPS charger.

2.7 Li-ion battery charge status and overheating indicator

LEDs light constantly	LEDs blink	Charge status C
LED 1, 2, 3, 4	-	$C \geq 75\%$
LED 1, 2, 3	-	$50\% \leq C < 75\%$
LED 1, 2	-	$25\% \leq C < 50\%$
LED 1	-	$10\% \leq C < 25\%$
-	LED 1	$C < 10\%$
-	LED 1	Battery overheated

2.8 Power tool overloading and overheating indicator

The power tool is equipped with an electronic protection system to prevent overloading and overheating. The power tool switches itself off automatically in the event of overloading and overheating. After releasing the control switch, the power tool may not restart immediately when the switch is pressed again (while the power tool is cooling down).

LEDs light constantly	LEDs blink	Power tool status
-	LED 1, 2, 3, 4	Power tool overloaded or overheated

3 Accessories

Designation	Short designation
Socket	S-NSD and SV
Charger for Li-ion batteries	C 4/36
Charger for Li-ion batteries	C 4/36-ACS
Charger for Li-ion batteries	C 4/36-ACS TPS
Charger for Li-ion batteries	C 4/36-90
Charger for Li-ion batteries	C 4/36-350
Battery	B 22/3.3 Li-Ion
Battery	B 22/2.6 Li-Ion
Battery	B 22/1.6 Li-Ion
Belt hook	

4 Technical data

Right of technical changes reserved.

Power tool	SIW 22T-A 1/2"	SIW 22T-A 3/4"
Rated voltage (DC voltage)	21.6 V	21.6 V
Weight in accordance with EPTA procedure 01/2003	3 kg	3.2 kg
Dimensions (L x W x H)	232 mm x 94 mm x 258 mm	251 mm x 94 mm x 258 mm
Rated speed under no load	0...2,000/min	0...2,000/min
Impact speed	Max. 2,500/min	Max. 2,500/min
Torque	450 Nm	450 Nm
Standard screws	M12 - M24	M12 - M24
High-strength screws	M8 - M16	M8 - M16
Chuck	1/2" square drive	3/4" square drive with locking pin
Speed control	Electronic, by way of the control switch	Electronic, by way of the control switch
Forward / reverse	Electronic switch with interlock to prevent switching while running	Electronic switch with interlock to prevent switching while running
Deep discharge protection	Yes	Yes

NOTE

Noise information (measured in accordance with EN 60745-1):

Power tool	SIW 22T-A 1/2"	SIW 22T-A 3/4"
Typical A-weighted sound power level	108 dB (A)	111 dB (A)
Typical A-weighted emission sound pressure level	97 dB (A)	100 dB (A)
Uncertainty for the given sound level	3 dB (A)	3 dB (A)

NOTE

The vibration emission level given in this information sheet has been measured in accordance with a standardized test given in EN 60745 and may be used to compare one tool with another. It may be used for a preliminary assessment of exposure. The declared vibration emission level represents the main applications of the tool. However if the tool is used for different applications, with different accessories or poorly maintained, the vibration emission may differ. This may significantly increase the exposure level over the total working period. An estimation of the level of exposure to vibration should also take into account the times when the tool is switched off or when it is running but not actually doing the job. This may significantly reduce the exposure level over the total working period. Identify additional safety measures to protect the operator from the effects of vibration such as: maintain the tool and the accessories, keep the hands warm, organization of work patterns.

Additional information in accordance with EN 60745

Triaxial vibration values (vibration vector sum)	Measured in accordance with EN 60745-2-2
Impact driving of fasteners of maximum size for the power tool 1/2", a _h	14.5 m/s ²
Impact driving of fasteners of maximum size for the power tool 3/4", a _h	14.2 m/s ²
Uncertainty (K)	1.5 m/s ²

Battery	B 22/3.3 Li-Ion	B 22/2.6 Li-Ion	B 22/1.6 Li-Ion
Rated voltage	21.6 V	21.6 V	21.6 V

Battery	B 22/3.3 Li-Ion	B 22/2.6 Li-Ion	B 22/1.6 Li-Ion
Battery capacity	3.3 Ah	2.6 Ah	1.6 Ah
Weight	0.78 kg	0.78 kg	0.48 kg
Temperature monitoring during charging	Yes	Yes	Yes
Temperature monitoring during discharging	Yes	Yes	Yes
Type of cell	Li-Ion	Li-Ion	Li-Ion
No. of cells	12	12	6
Energy content	71.28 Wh	56.16 Wh	34.56 Wh

5 Safety instructions

NOTE

The safety rules given in the following section contain all general safety rules for power tools which, in accordance with the applicable standards, require to be listed in the operating instructions. Accordingly, some of the rules listed may not be relevant to this tool.

5.1 General power tool safety warnings

a) WARNING

Read all safety warnings and all instructions. Failure to follow the warnings and instructions may result in electric shock, fire and/or serious injury. **Save all warnings and instructions for future reference.** The term “power tool” in the warnings refers to your mains-operated (corded) power tool or battery-operated (cordless) power tool.

5.1.1 Work area safety

- Keep work area clean and well lit.** Cluttered or dark areas invite accidents.
- Do not operate power tools in explosive atmospheres, such as in the presence of flammable liquids, gases or dust.** Power tools create sparks which may ignite the dust or fumes.
- Keep children and bystanders away while operating a power tool.** Distractions can cause you to lose control.

5.1.2 Electrical safety

- Power tool plugs must match the outlet. Never modify the plug in any way. Do not use any adapter plugs with earthed (grounded) power tools.** Unmodified plugs and matching outlets will reduce risk of electric shock.
- Avoid body contact with earthed or grounded surfaces, such as pipes, radiators, ranges and refrigerators.** There is an increased risk of electric shock if your body is earthed or grounded.
- Do not expose power tools to rain or wet conditions.** Water entering a power tool will increase the risk of electric shock.
- Do not abuse the cord. Never use the cord for carrying, pulling or unplugging the power tool. Keep cord away from heat, oil, sharp edges or moving parts.** Damaged or entangled cords increase the risk of electric shock.
- When operating a power tool outdoors, use an extension cord suitable for outdoor use.** Use of a cord suitable for outdoor use reduces the risk of electric shock.
- If operating a power tool in a damp location is unavoidable, use a residual current device (RCD) protected supply.** Use of an RCD reduces the risk of electric shock.

5.1.3 Personal safety

- Stay alert, watch what you are doing and use common sense when operating a power tool. Do not use a power tool while you are tired or under the influence of drugs, al-**

cohol or medication. A moment of inattention while operating power tools may result in serious personal injury.

- b) **Use personal protective equipment. Always wear eye protection.** Protective equipment such as dust mask, non-skid safety shoes, hard hat, or hearing protection used for appropriate conditions will reduce personal injuries.
- c) **Prevent unintentional starting. Ensure the switch is in the off-position before connecting to power source and/or battery pack, picking up or carrying the tool.** Carrying power tools with your finger on the switch or energising power tools that have the switch on invites accidents.
- d) **Remove any adjusting key or wrench before turning the power tool on.** A wrench or a key left attached to a rotating part of the power tool may result in personal injury.
- e) **Do not overreach. Keep proper footing and balance at all times.** This enables better control of the power tool in unexpected situations.
- f) **Dress properly. Do not wear loose clothing or jewellery. Keep your hair, clothing and gloves away from moving parts.** Loose clothes, jewellery or long hair can be caught in moving parts.
- g) **If devices are provided for the connection of dust extraction and collection facilities, ensure these are connected and properly used.** Use of dust collection can reduce dust-related hazards.

en

5.1.4 Power tool use and care

- a) **Do not force the power tool. Use the correct power tool for your application.** The correct power tool will do the job better and safer at the rate for which it was designed.
- b) **Do not use the power tool if the switch does not turn it on and off.** Any power tool that cannot be controlled with the switch is dangerous and must be repaired.
- c) **Disconnect the plug from the power source and/or the battery pack from the power tool before making any adjustments, changing accessories, or storing power tools.** Such preventive safety measures reduce the risk of starting the power tool accidentally.
- d) **Store idle power tools out of the reach of children and do not allow persons unfamiliar with the power tool or these instructions to operate the power tool.** Power tools are dangerous in the hands of untrained users.
- e) **Maintain power tools. Check for misalignment or binding of moving parts, breakage of parts and any other condition that may affect the power tool's operation. If damaged, have the power tool repaired before use.** Many accidents are caused by poorly maintained power tools.
- f) **Keep cutting tools sharp and clean.** Properly maintained cutting tools with sharp cutting edges are less likely to bind and are easier to control.
- g) **Use the power tool, accessories and tool bits etc. in accordance with these instructions, taking into account the working conditions and the work to be performed.** Use of the power tool for operations different from those intended could result in a hazardous situation.

5.1.5 Battery tool use and care

- a) **Recharge only with the charger specified by the manufacturer.** A charger that is suitable for one type of battery pack may create a risk of fire when used with another battery pack.
- b) **Use power tools only with specifically designated battery packs.** Use of any other battery packs may create a risk of injury and fire.
- c) **When battery pack is not in use, keep it away from other metal objects, like paper clips, coins, keys, nails, screws or other small metal objects, that can make a connection from one terminal to another.** Shorting the battery terminals together may cause burns or a fire.
- d) **Under abusive conditions, liquid may be ejected from the battery; avoid contact. If contact accidentally occurs, flush with water. If liquid contacts eyes, additionally seek medical help.** Liquid ejected from the battery may cause irritation or burns.

5.1.6 Service

- a) **Have your power tool serviced by a qualified repair person using only identical replacement parts.** This will ensure that the safety of the power tool is maintained.

5.2 Additional safety precautions

5.2.1 Personal safety

- a) **Hold power tool by insulated gripping surfaces, when performing an operation where the fastener may contact hidden wiring.** Fasteners contacting a "live" wire may make exposed metal parts of the power tool "live" and could give the operator an electric shock.
- b) **Wear ear protectors.** Exposure to noise can cause hearing loss.
- c) **Breathing protection must be worn if the power tool is used without a dust removal system for work that creates dust.**
- d) **Improve the blood circulation in your fingers by relaxing your hands and exercising your fingers during breaks between working.**
- e) **Avoid touching rotating parts. Switch the power tool on only after bringing it into position at the workpiece.** Touching rotating parts, especially rotating insert tools, may lead to injury.
- f) **Activate the safety lock (forward / reverse switch in the middle position) before storing or transporting the power tool.**
- g) **Children must be instructed not to play with the power tool.**
- h) **The power tool is not intended for use by children, by debilitated persons or those who have received no instruction or training.**
- i) Dust from material such as paint containing lead, some wood species, minerals and metal may be harmful. Contact with or inhalation of the dust may cause allergic reactions and/or respiratory diseases to the operator or bystanders. Certain kinds of dust are classified as carcinogenic such as oak and beech dust especially in conjunction with additives for wood conditioning (chromate, wood preservative). Material containing asbestos must only be treated by specialists. **Where the use of a dust extraction device is possible it shall be used. To achieve a high level of dust collection, use a suitable vacuum cleaner of the type recommended by Hilti for wood dust and/or mineral dust together with this tool. Ensure that the workplace is well ventilated. The use of a dust mask of filter class P2 is recommended. Follow national requirements for the materials you want to work with.**

5.2.2 Power tool use and care

- a) **Secure the workpiece. Use clamps or a vice to secure the workpiece.** The workpiece is thus held more securely than by hand and both hands remain free to operate the power tool.
- b) **Check that the insert tools used are compatible with the chuck system and that they are secured in the chuck correctly.**
- c) **Ensure fastener and attachment will withstand the level of torque generated by the tool.** Excessive torque may overstress, strip or damage the fastener/attachment and possibly lead to personal injury.

5.2.3 Cordless tool use and care

- a) **Do not expose batteries to high temperatures or fire.** This presents a risk of explosion.
- b) **Do not disassemble, squash or incinerate batteries and do not subject them to temperatures over 80°C.** A risk of fire, explosion or injury through contact with caustic substances may otherwise result.
- c) **Do not use batteries other than those approved for use with the applicable power tool or appliance.** Use of other batteries or use of the battery for purposes for which it is not intended presents a risk of fire and explosion.
- d) **Observe the special instructions applicable to the transport, storage and use of Li-ion batteries.**
- e) **Do not charge or continue to use damaged batteries (e.g. batteries with cracks, broken parts, bent or pushed-in and/or pulled-out contacts).**

- f) If the battery gets too hot to touch, this may indicate that it is faulty. **Place the tool in a location where it can be kept under observation, well away from flammable materials, and allow it to cool down. Contact Hilti Service after the battery has been allowed to cool.**

en

5.2.4 Electrical safety



Before beginning work, check the working area (e.g. using a metal detector) to ensure that no concealed electric cables or gas and water pipes are present. External metal parts of the power tool may become live, for example, when an electric cable is damaged accidentally. This presents a serious risk of electric shock.

5.2.5 Work area

- a) **Ensure that the workplace is well lit.**
b) **Ensure that the workplace is well ventilated.** Exposure to dust at a poorly ventilated workplace may result in damage to the health.

5.2.6 Personal protective equipment



The user and any other persons in the vicinity must wear suitable eye protection, a hard hat, ear protection, protective gloves and breathing protection while the tool is in use.

6 Before use



6.1 Battery use and care

NOTE

Battery performance drops at low temperatures. Never use the battery until the cells become fully discharged. Change to the second battery as soon as a drop in performance is noticed. Recharge the battery immediately so that it is ready for reuse.

Store the battery in a cool, dry place. Never store the battery where it is exposed to direct sunlight or sources of heat, e.g. on heaters / radiators or behind a motor vehicle windscreen. Batteries that have reached the end of their life must be disposed of safely and correctly to avoid environmental pollution.

6.2 Charging the battery



CAUTION

Use only the Hilti chargers listed under “Insert tools, accessories”.

6.2.1 Charging a new battery for the first time

Charge the battery fully before using it for the first time.

6.2.2 Charging a previously used battery

Ensure that the outer surfaces of the battery are clean and dry before inserting it in the corresponding charger.

Read the operating instructions for the charger for further information about the charging procedure.

Li-ion batteries are ready for use at any time, even when only partly charged. Charging progress is indicated by the LED display (see charger operating instructions).

6.3 Fitting the battery

CAUTION

Before fitting the battery, check that the power tool is switched off and that the safety lock is engaged (forward/reverse switch in the middle position). Use only the Hilti batteries approved for use with this power tool.

CAUTION

Before inserting the battery in the tool, check to ensure that the battery terminals and the contacts in the tool are free from foreign objects.

1. Push the battery into the power tool from the rear as far as it will go and until it is heard to engage with a double click.
2. **CAUTION If it is not fitted securely, the battery could fall out while you are working with the tool.**

CAUTION A falling battery may present a risk of injury to yourself and others.

Before beginning the work, check that the battery is fitted securely to the tool.

6.4 Removing the battery 2

1. Press both battery release buttons.
2. Pull the battery out of the power tool toward the rear.

6.5 Transport and storage of battery packs

Pull the battery pack out of the locked position (working position) and move it into the first click-stop position (transport position).

If you disconnect a battery pack from the power tool for transport or storage, make sure that the contacts of the battery pack are not short-circuited. Remove loose metal parts such as screws, nails, clamps, loose screw bits, wires or metal swarf from the case, toolbox or transport container, or prevent these parts from coming into contact with the battery packs.

Observe national and international transport regulations when shipping battery packs (transportation by road, rail, sea or air).

7 Operation



7.1 Changing sockets

NOTE

To ensure that the socket is held securely, the tool is equipped with a 1/2" square drive with ball-notch retention or a 3/4" square drive with locking pin.

7.1.1 Changing the socket (1/2" square drive with ball-notch retention)

NOTE

Bring the notch in the socket into alignment with the ball on the square drive before fitting it to the power tool. The socket will not be held securely and could fall off inadvertently if this point is not observed.

7.1.1.1 Fitting the nut driver 3

1. Set the forward / reverse switch to the middle position or remove the battery from the power tool.
2. Align the hole in the side of the nut driver with the retention ball on the square drive.
3. Push the nut driver onto the chuck until it engages.

7.1.1.2 Removing the socket 4

1. Set the forward / reverse switch to the middle position or remove the battery from the power tool.
2. Pull the socket away from the square drive spindle.

7.1.2 Changing the socket (3/4" square drive with locking pin)

7.1.2.1 Fitting the socket 5

1. Set the forward / reverse switch to the middle position or remove the battery from the power tool.
2. Remove the O-ring from the groove in the socket.
3. Pull out the locking pin.
4. Place the socket on the square drive spindle of the tool.
NOTE Take care to ensure that the holes in the square drive spindle and socket, into which the locking pin is inserted, are in alignment with each other.
5. To secure the socket, first insert the locking pin and then fit the O-ring.

7.1.2.2 Removing the socket 6

1. Set the forward / reverse switch to the middle position or remove the battery from the power tool.
2. Remove the O-ring from the groove in the socket.
3. Pull out the locking pin.
4. Remove the socket from the square drive spindle of the tool.
5. To secure the socket, first insert the locking pin and then fit the O-ring.

7.2 Setting forward or reverse rotation 7

NOTE

The forward / reverse switch is used to select the direction of rotation of the drive spindle. An interlock prevents switching while the motor is running. The control switch is locked when the forward / reverse switch is in the middle position. Push the forward / reverse switch to the right (as seen in the working direction) for forward rotation. Push the forward / reverse switch to the left (as seen in the working direction) for reverse rotation.

7.3 Switching on / off

The speed of the power tool can be controlled smoothly (increased from minimum to maximum) by pressing the control switch gradually.

7.4 Screwdriving

WARNING

Ensure fastener and attachment will withstand the level of torque generated by the tool. Excessive torque may overstress, strip or damage the fastener/attachment and possibly lead to personal injury.

Set the forward / reverse switch to the desired direction of rotation.

7.5 Reading the charge status LED display on Li-ion batteries 8

NOTE

The charge status cannot be indicated while the power tool is in operation. Indication is given (LED 1 blinks) only when the battery is fully discharged or when it is too hot (temperature above 80°C). The battery must then be inserted in the charger. If all 4 LEDs blink, this indicates that the power tool has been overloaded or has overheated.

The Li-ion battery features a charge status LED display. The charge status is indicated by the LEDs on the battery during charging (please refer to the section "Li-ion battery charge status"). When the battery is at rest (not in use), its charge status is indicated by the four LEDs on the battery for a time of three seconds after pressing one of the battery release buttons.

7.6 Belt hook 9

CAUTION

Check that the belt hook is fitted securely before beginning work.

The belt hook allows the power tool to be attached to a belt worn by the operator. The belt hook can also be fitted to the other side of the power tool for use by left-handed persons.

1. Pull the battery out of the tool.
2. Fit the mounting plate into the guides provided.
3. Secure the belt hook with the two screws.

en

8 Care and maintenance

CAUTION

Before beginning cleaning, remove the battery from the power tool in order to prevent unintentional starting.

8.1 Care of insert tools

Clean off dirt and dust deposits adhering to the insert tools and protect them from corrosion by wiping the insert tools from time to time with an oil-soaked rag.

8.2 Care of the power tool

CAUTION

Keep the power tool, especially its grip surfaces, clean and free from oil and grease. Do not use cleaning agents which contain silicone.

The outer casing of the power tool is made from impact-resistant plastic. Sections of the grip are made from a synthetic rubber material.

Never operate the power tool when the ventilation slots are blocked. Clean the ventilation slots carefully using a dry brush. Do not permit foreign objects to enter the interior of the power tool. Clean the outside of the power tool at regular intervals with a slightly damp cloth. Do not use a spray, steam pressure cleaning equipment or running water for cleaning. This may negatively affect the electrical safety of the power tool.

8.3 Care of the Li-ion battery

Avoid entrance of moisture.

Charge the battery fully before using it for the first time.

In order to achieve maximum battery life, stop discharging the battery as soon as a significant drop in performance is noticed.

NOTE

If use of the power tool continues, battery discharge is stopped automatically (indicated by LED 1 blinking) before the battery cells suffer damage.

Charge the battery with the Hilti charger approved for use with Li-ion batteries.

NOTE

- A conditioning charge (as is required with NiCd or NiMH batteries) is not necessary.
- Interruption of the charging procedure has no negative effect on battery life.
- Charging can be started at any time with no negative effect on battery life. There is no memory effect (as with NiCd or NiMH batteries).
- For best results, batteries should be stored fully charged in a cool dry place. Avoid charging the battery in places subject to high ambient temperatures (e.g. at a window) as this has an adverse effect on battery life and increases the rate of self-discharge.
- If the battery no longer reaches full charge, it may have lost capacity due to aging or oversteering. It is possible to continue working with a battery in this condition but it should be replaced in good time.

8.4 Maintenance

WARNING

Repairs to the electrical section of the power tool may be carried out only by trained electrical specialists.

Check all external parts of the power tool for damage at regular intervals and check that all controls operate faultlessly. Do not operate the power tool if parts are damaged or when the controls do not function faultlessly. If necessary, the power tool should be repaired by Hilti Service.

8.5 Checking the power tool after care and maintenance

After carrying out care and maintenance work on the power tool, check that all protective and safety devices are fitted and that they function faultlessly.

en

9 Troubleshooting

Fault	Possible cause	Remedy
The power tool doesn't run.	The battery is discharged or fitted incorrectly.	The battery must be heard to engage with a double click or, respectively, needs to be charged.
	Electrical fault.	Remove the battery from the power tool and contact Hilti Service.
The power tool doesn't run and 1 LED blinks.	The battery is discharged.	Change the battery and recharge the discharged battery.
	The battery is too hot or too cold.	Bring the battery to the recommended working temperature.
The tool doesn't work and all 4 LEDs blink.	The power tool has been overloaded.	Release the control switch and press it again.
	The overheating prevention cut-out has been activated.	Allow the power tool to cool down. Clean the ventilation slots.
The on / off switch can't be pressed, i.e. the switch is locked.	The forward / reverse switch is in the middle position (transport lock engaged).	Push the forward / reverse switch to the left or right.
Running speed suddenly drops considerably.	The battery is discharged.	Change the battery and recharge the discharged battery.
The battery runs down more quickly than usual.	Battery condition is not optimal.	Have battery condition diagnosed by Hilti Service or replace with a new battery.
The battery doesn't engage with an audible double click.	The retaining lugs on the battery are dirty.	Clean the retaining lugs and check that the battery engages securely. Contact Hilti Service if the problem persists.
The power tool or the battery gets very warm.	Electrical fault.	Switch the power tool off immediately, remove the battery and contact Hilti Service.
	The power tool has been overloaded (application limits exceeded).	Use the right power tool for the job (don't use a low-powered tool for heavy work).

10 Disposal

CAUTION

Improper disposal of the equipment may have serious consequences: the burning of plastic components generates toxic fumes which may present a health hazard. Batteries may explode if damaged or exposed to very high temperatures, causing poisoning, burns, acid burns or environmental pollution. Careless disposal may permit unauthorized and improper use of the equipment. This may result in serious personal injury, injury to third parties and pollution of the environment.

CAUTION

Dispose of defective batteries without delay. Keep them out of reach of children. Do not attempt to open or dismantle batteries and do not dispose of them by incineration.

CAUTION

Dispose of the batteries in accordance with national regulations or return them to Hilti.



en

Most of the materials from which Hilti power tools or appliances are manufactured can be recycled. The materials must be correctly separated before they can be recycled. In many countries, Hilti has already made arrangements for taking back your old power tools or appliances for recycling. Please ask your Hilti customer service department or Hilti representative for further information.



For EC countries only

Disposal of electric tools together with household waste is not permissible.

In observance of the European Directive on waste electrical and electronic equipment and its implementation in accordance with national law, electric tools and batteries that have reached the end of their life must be collected separately and returned to an environmentally compatible recycling facility.

11 Manufacturer's warranty - tools

Hilti warrants that the tool supplied is free of defects in material and workmanship. This warranty is valid so long as the tool is operated and handled correctly, cleaned and serviced properly and in accordance with the Hilti Operating Instructions, and the technical system is maintained. This means that only original Hilti consumables, components and spare parts may be used in the tool.

This warranty provides the free-of-charge repair or replacement of defective parts only over the entire lifespan of the tool. Parts requiring repair or replacement as a result of normal wear and tear are not covered by this warranty.

Additional claims are excluded, unless stringent national rules prohibit such exclusion. In particular, Hilti is not obligated for direct, indirect, incidental or consequential damages, losses or expenses in connection with, or by reason of, the use of, or inability to use the tool for any purpose. Implied warranties of merchantability or fitness for a particular purpose are specifically excluded.

For repair or replacement, send the tool or related parts immediately upon discovery of the defect to the address of the local Hilti marketing organization provided.

This constitutes Hilti's entire obligation with regard to warranty and supersedes all prior or contemporaneous comments and oral or written agreements concerning warranties.

12 EC declaration of conformity (original)

Designation:	Cordless impact wrench
Type:	SIW 22T-A
Generation:	01
Year of design:	2013

We declare, on our sole responsibility, that this product complies with the following directives and standards: EN 60745-1, EN 60745-2-2, 2006/42/EC, 2004/108/EC, 2006/66/EC, 2011/65/EU, EN ISO 12100.

Hilti Corporation, Feldkircherstrasse 100, FL-9494 Schaan

Handwritten signature of Paolo Luccini.

Paolo Luccini
Head of BA Quality and Process Management

Handwritten signature of Jan Doongaji.

Jan Doongaji
Executive Vice President

Business Area Electric Tools & Accessories 06/2013 Business Unit Power Tools & Accessories 06/2013

Technical documentation filed at:

Hilti Entwicklungsgesellschaft mbH

Zulassung Elektrowerkzeuge

Hiltistrasse 6

86916 Kaufering

Deutschland

en

NOTICE ORIGINALE

SIW 22T-A Boulonneuse à choc sans fil

Avant de mettre l'appareil en marche, lire impérativement son mode d'emploi et bien respecter les consignes.

Le présent mode d'emploi doit toujours accompagner l'appareil.

Ne pas prêter ou céder l'appareil à un autre utilisateur sans lui fournir le mode d'emploi.

fr

Sommaire

1	Consignes générales	15
2	Description	16
3	Accessoires	18
4	Caractéristiques techniques	18
5	Consignes de sécurité	19
6	Mise en service	23
7	Utilisation	24
8	Nettoyage et entretien	26
9	Guide de dépannage	27
10	Recyclage	28
11	Garantie constructeur des appareils	28
12	Déclaration de conformité CE (original)	28

1 Les chiffres renvoient aux illustrations respectives. Les illustrations qui se rapportent au texte se trouvent sur les pages rabattables. Pour lire le mode d'emploi, rabattre ces pages de manière à voir les illustrations.

Dans le présent mode d'emploi, « l'appareil » désigne toujours la boulonneuse à choc sans fil SIW 22T-A avec bloc-accu encliqueté.

Organes de commande et éléments de l'appareil **1**

- ① Porte-outil
- ② Interrupteur de commande (avec variateur de vitesse électronique)
- ③ Inverseur du sens de rotation droite / gauche avec dispositif de blocage
- ④ Boutons de déverrouillage avec fonction supplémentaire d'activation de l'indicateur de l'état de charge
- ⑤ Plaque signalétique
- ⑥ Affichage de l'état de charge et des défauts (bloc-accu Li-Ion)
- ⑦ Patte d'accrochage (en option)

1 Consignes générales

1.1 Termes signalant un danger et leur signification

DANGER

Pour un danger imminent qui peut entraîner de graves blessures corporelles ou la mort.

AVERTISSEMENT

Pour attirer l'attention sur une situation pouvant présenter des dangers susceptibles d'entraîner des blessures corporelles graves ou la mort.

ATTENTION

Pour attirer l'attention sur une situation pouvant présenter des dangers susceptibles d'entraîner des blessures corporelles légères ou des dégâts matériels.

REMARQUE

Pour des conseils d'utilisation et autres informations utiles.

1.2 Explication des pictogrammes et autres symboles d'avertissement

Symboles d'avertissement

fr



Avertissement danger général



Avertissement tension électrique dangereuse



Avertissement matières corrosives

Symboles d'obligation



Porter des lunettes de protection



Porter un casque de protection



Porter un casque antibruit



Porter des gants de protection



Porter un masque respiratoire léger

Symboles



Lire le mode d'emploi avant d'utiliser l'appareil



Recycler les déchets



Volt



Courant continu

n_0

Vitesse nominale à vide

/min

Tours par minute

Emplacement des détails d'identification sur l'appareil

La désignation du modèle figure sur la plaque signalétique et le numéro de série sur le côté du carter moteur. Inscrire ces renseignements dans le mode d'emploi et toujours s'y référer pour communiquer avec notre représentant ou agence Hilti.

Type :

Génération : 01

N° de série :

2 Description

2.1 Utilisation conforme à l'usage prévu

La SIW 22T-A est une boulonneuse à choc sans fil à guidage manuel. Elle a été conçue pour le serrage et le desserrage d'écrous et boulons, des chevilles et vis à bois.

Ne pas travailler sur des matériaux susceptibles de nuire à la santé (par ex. amiante).

Il convient également d'observer la législation locale en matière de protection au travail.

Ne pas utiliser les blocs-accus comme source d'énergie pour d'autres appareils non spécifiés.

Toute manipulation ou modification de l'appareil est interdite.

Pour éviter tout risque de blessure, utiliser uniquement les accessoires et outils Hilti d'origine.

L'appareil ne doit pas être utilisé pour les applications nécessitant un couple de rotation précis / spécifique. L'utilisation de l'appareil pour des applications qui nécessitent un couple de rotation spécifique ou pour lesquelles un couple de rotation maximum ne doit pas être dépassé représente un risque de visser trop fort, d'endommager la vis ou la pièce travaillée. Pour de telles applications,

il est recommandé d'utiliser un appareil avec un couple de rotation réglable défini.

Bien respecter les consignes concernant l'utilisation, le nettoyage et l'entretien de l'appareil qui figurent dans le présent mode d'emploi.

L'appareil est destiné aux utilisateurs professionnels et ne doit être utilisé, entretenu et réparé que par un personnel agréé, formé à cet effet. Ce personnel doit être au courant des dangers inhérents à l'utilisation de l'appareil. L'appareil et ses accessoires peuvent s'avérer dangereux s'ils sont utilisés de manière incorrecte par un personnel non qualifié ou de manière non conforme à l'usage prévu.

L'environnement de travail peut être : chantiers, ateliers, sites de rénovation, sites de constructions nouvelles ou de constructions en cours de réaménagement.

2.2 Mandrin

Mandrin carré ext. 1/2" avec demi-rotule

Mandrin carré ext. 3/4" avec blocage par goupille

2.3 Interrupteur de commande

Interrupteur de commande avec variateur de vitesse électronique
Inverseur du sens de rotation droite / gauche avec dispositif de blocage

2.4 L'équipement livré dans le coffret comprend :

- 1 Appareil
- 1 Mode d'emploi
- 1 Coffret Hilti

2.5 L'équipement livré dans l'emballage en carton comprend :

- 1 Appareil
- 1 Mode d'emploi

2.6 Équipement supplémentaire nécessaire au fonctionnement de l'appareil

Un bloc-accu B 22/2.6 Li-Ion ou B 22/3.3 Li-Ion avec chargeur C436-90 ou C436-350 ou C 4/36 ou C 4/36-ACS ou C 4/36-ACS TPS.

2.7 Affichage de l'état de charge et de surchauffe du bloc-accu Li-Ion

DEL allumée en continu	DEL clignotante	État de charge C
DEL 1, 2, 3, 4	-	$C \geq 75 \%$
DEL 1, 2, 3	-	$50 \% \leq C < 75 \%$
DEL 1, 2	-	$25 \% \leq C < 50 \%$
DEL 1	-	$10 \% \leq C < 25 \%$
-	DEL 1	$C < 10 \%$
-	DEL 1	Bloc-accu surchauffé

2.8 Affichage de l'état de surcharge et de surchauffe de l'appareil

L'appareil est équipé d'un système de protection électronique contre les surcharges et les surchauffes. En cas de surcharge et de surchauffe, l'appareil est automatiquement arrêté. Si l'interrupteur de commande est relâché puis réappuyé, il peut y avoir des retards de mise en marche (phases de refroidissement de l'appareil).

DEL allumée en continu	DEL clignotante	État de l'appareil
-	DEL 1, 2, 3, 4	Charge excessive ou surchauffe de l'appareil

3 Accessoires

Désignation	Symbole
Douilles	S-NSD et SV
Chargeur pour blocs-accus Li-Ion	C 4/36
Chargeur pour blocs-accus Li-Ion	C 4/36-ACS
Chargeur pour blocs-accus Li-Ion	C 4/36-ACS TPS
Chargeur pour blocs-accus Li-Ion	C 4/36-90
Chargeur pour blocs-accus Li-Ion	C 4/36-350
Bloc-accu	B 22/3.3 Li-Ion
Bloc-accu	B 22/2.6 Li-Ion
Bloc-accu	B 22/1.6 Li-Ion
Patte d'accrochage à la ceinture	

4 Caractéristiques techniques

Sous réserve de modifications techniques !

Appareil	SIW 22T-A 1/2"	SIW 22T-A 3/4"
Tension de référence (tension continue)	21,6 V	21,6 V
Poids selon la procédure EPTA 01/2003	3 kg	3,2 kg
Dimensions (L x l x H)	232 mm x 94 mm x 258 mm	251 mm x 94 mm x 258 mm
Vitesse de rotation à vide de référence	0...2.000/min	0...2.000/min
Cadence de percussion	Max. 2.500 1/min	Max. 2.500 1/min
Couple de rotation	450 Nm	450 Nm
Vis standard	M12 - M24	M12 - M24
Vis à résistance élevée	M8 - M16	M8 - M16
Mandrin	1/2" carré ext. avec demi-rotule	carré ext. 3/4" avec blocage par goupille
Variation de vitesse	électronique par variateur électronique de vitesse	électronique par variateur électronique de vitesse
Sens de rotation droite / gauche	inverseur électrique avec blocage pendant la marche	inverseur électrique avec blocage pendant la marche
Protection contre la décharge totale	oui	oui

REMARQUE

Données d'émissions acoustiques (mesurées selon EN 60745-1) :

Appareil	SIW 22T-A 1/2"	SIW 22T-A 3/4"
Niveau de puissance acoustique pondéré A type	108 dB (A)	111 dB (A)
Niveau de pression acoustique d'émission pondéré (A) type	97 dB (A)	100 dB (A)
Incertitude du niveau acoustique indiqué	3 dB (A)	3 dB (A)

REMARQUE

Le niveau de vibrations mentionné dans ces instructions a été mesuré conformément à un procédé de mesure normalisé selon EN 60745 et peut être utilisé comme base de comparaison entre

outils électroportatifs. Il permet également de procéder à une évaluation préalable des sollicitations vibratoires. Le niveau de vibrations mentionné correspond aux principales applications de l'outil électroportatif. Ce niveau peut néanmoins différer si l'outil électroportatif est utilisé pour d'autres applications, avec des outils à monter différents ou que l'entretien s'avère insuffisant. Ceci peut augmenter considérablement les sollicitations vibratoires dans tout l'espace de travail. Pour une évaluation précise des sollicitations vibratoires, il convient également de prendre en compte les temps durant lesquels l'appareil est arrêté ou marche à vide. Ceci peut sensiblement réduire les sollicitations vibratoires dans tout l'espace de travail. Par ailleurs, il convient de prendre des mesures de sécurité supplémentaires en vue de protéger l'utilisateur des effets des vibrations, telles que : bien entretenir l'outil électroportatif ainsi que les outils à monter, maintenir les mains chaudes, optimiser l'organisation des opérations.

Informations complémentaires selon EN 60745

Valeurs de vibrations triaxiales mesurées selon EN 60745-2-2 (somme vectorielle des vibrations)

Vis à frapper avec éléments de fixation de taille maximale pour l'outil 1/2", a_h 14,5 m/s²

Vis à frapper avec éléments de fixation de taille maximale pour l'outil 3/4", a_h 14,2 m/s²

Incertitude (K) 1,5 m/s²

Bloc-accu	B 22/3.3 Li-Ion	B 22/2.6 Li-Ion	B 22/1.6 Li-Ion
Tension de référence	21,6 V	21,6 V	21,6 V
Capacité de l'accu	3,3 Ah	2,6 Ah	1,6 Ah
Poids	0,78 kg	0,78 kg	0,48 kg
Charge avec contrôle de la température	oui	oui	oui
Décharge avec contrôle de la température	oui	oui	oui
Type de cellules	Li-Ion	Li-Ion	Li-Ion
Bloc de cellules	12 éléments	12 éléments	6 éléments
Consommation d'énergie électrique	71,28 Wh	56,16 Wh	34,56 Wh

5 Consignes de sécurité

REMARQUE

Les indications de sécurité du chapitre suivant contiennent toutes les indications générales de sécurité pour les appareils électriques qui, selon les normes applicables, doivent être spécifiées dans le présent mode d'emploi. Par conséquent, il est possible que certaines indications ne se rapportent pas à cet appareil.

5.1 Indications générales de sécurité pour les appareils électriques

a) AVERTISSEMENT

Lire et comprendre toutes les consignes de sécurité et instructions. Le non-respect des consignes de sécurité et instructions indiquées ci-après peut entraîner un choc électrique, un incendie et / ou de graves blessures sur les personnes. **Les consignes de sécurité et instructions doivent être intégralement conservées pour les utilisations futures.** La notion d'« outil électroportatif » mentionnée dans les consignes de sécurité se rapporte à des outils électriques raccordés au secteur (avec câble de raccordement) et à des outils électriques à batterie (sans câble de raccordement).

5.1.1 Sécurité sur le lieu de travail

- a) **Maintenez l'endroit de travail propre et bien éclairé.** Un lieu de travail en désordre ou mal éclairé augmente le risque d'accidents.
- b) **N'utilisez pas l'outil électroportatif dans un environnement présentant des risques d'explosion et où se trouvent des liquides, des gaz ou poussières inflammables.** Les outils électroportatifs génèrent des étincelles risquant d'enflammer les poussières ou les vapeurs.
- c) **Tenez les enfants et autres personnes éloignés durant l'utilisation de l'outil électroportatif.** En cas d'inattention vous risquez de perdre le contrôle de l'appareil.

5.1.2 Sécurité relative au système électrique

- a) **La fiche de secteur de l'outil électroportatif doit être appropriée à la prise de courant. Ne modifiez en aucun cas la fiche. N'utilisez pas de fiches d'adaptateur avec des outils électroportatifs avec mise à la terre.** Les fiches non modifiées et les prises de courant appropriées réduisent le risque de choc électrique.
- b) **Éviter le contact physique avec des surfaces mises à la terre tels que tuyaux, radiateurs, cuisinières et réfrigérateurs.** Il y a un risque élevé de choc électrique au cas où votre corps serait relié à la terre.
- c) **N'exposez pas les outils électroportatifs à la pluie ou à l'humidité.** La pénétration d'eau dans un outil électroportatif augmente le risque d'un choc électrique.
- d) **N'utilisez pas le câble à d'autres fins que celles prévues, n'utilisez pas le câble pour porter l'outil électroportatif ou pour l'accrocher ou encore pour le débrancher de la prise de courant. Maintenez le câble éloigné des sources de chaleur, des parties grasses, des bords tranchants ou des parties de l'appareil en rotation.** Un câble endommagé ou torsadé augmente le risque d'un choc électrique.
- e) **Au cas où vous utiliseriez l'outil électroportatif à l'extérieur, utilisez uniquement une rallonge homologuée pour les applications extérieures.** L'utilisation d'une rallonge électrique homologuée pour les applications extérieures réduit le risque d'un choc électrique.
- f) **Si l'utilisation de l'outil électroportatif dans un environnement humide ne peut pas être évitée, un interrupteur de protection contre les courants de court-circuit doit être utilisé.** L'utilisation d'un tel interrupteur de protection réduit le risque d'une décharge électrique.

5.1.3 Sécurité des personnes

- a) **Restez vigilant, surveillez ce que vous faites. Faites preuve de bon sens en utilisant l'outil électroportatif. N'utilisez pas l'outil électroportatif lorsque vous êtes fatigué ou après avoir consommé de l'alcool, des drogues ou avoir pris des médicaments.** Un moment d'inattention lors de l'utilisation de l'outil électroportatif peut entraîner de graves blessures sur les personnes.
- b) **Portez des équipements de protection. Portez toujours des lunettes de protection.** Le fait de porter des équipements de protection personnels tels que masque anti-poussière, chaussures de sécurité antidérapantes, casque de protection ou protection acoustique suivant le travail à effectuer, réduit le risque de blessures.
- c) **Éviter une mise en service par mégarde. S'assurer que l'outil électroportatif est arrêté avant de le brancher à la source de courant et/ou au bloc-accu, de le prendre ou de le porter.** Le fait de porter l'outil électroportatif avec le doigt sur l'interrupteur ou de brancher l'appareil sur la source de courant lorsque l'interrupteur est en position de fonctionnement, peut entraîner des accidents.
- d) **Enlevez tout outil de réglage ou toute clé avant de mettre l'outil électroportatif en fonctionnement.** Une clé ou un outil se trouvant sur une partie en rotation peut causer des blessures.
- e) **Adoptez une bonne posture. Veillez à garder toujours une position stable et équilibrée.** Ceci vous permet de mieux contrôler l'outil électroportatif dans des situations inattendues.
- f) **Portez des vêtements appropriés. Ne portez pas de vêtements amples ni de bijoux. Maintenez cheveux, vêtements et gants éloignés des parties de l'appareil en rotation.** Des

vêtements amples, des bijoux ou des cheveux longs peuvent être happés par des pièces en mouvement.

- g) **Si des dispositifs servant à aspirer ou à recueillir les poussières doivent être utilisés, vérifiez que ceux-ci sont effectivement raccordés et qu'ils sont correctement utilisés.** L'utilisation d'un dispositif d'aspiration peut réduire les risques dus aux poussières.

fr

5.1.4 Utilisation et maniement de l'outil électroportatif

- a) **Ne surchargez pas l'appareil. Utilisez l'outil électroportatif approprié au travail à effectuer.** Avec l'outil électroportatif approprié, vous travaillerez mieux et avec plus de sécurité à la vitesse pour laquelle il est prévu.
- b) **N'utilisez pas un outil électroportatif dont l'interrupteur est défectueux.** Un outil électroportatif qui ne peut plus être mis en ou hors fonctionnement est dangereux et doit être réparé.
- c) **Retirez la fiche de la prise de courant et/ou le bloc-accu avant d'effectuer des réglages sur l'appareil, de changer les accessoires, ou de ranger l'appareil.** Cette mesure de précaution empêche une mise en fonctionnement par mégarde de l'outil électroportatif.
- d) **Gardez les outils électroportatifs non utilisés hors de portée des enfants. Ne permettez pas l'utilisation de l'appareil à des personnes qui ne se sont pas familiarisées avec celui-ci ou qui n'ont pas lu ces instructions.** Les outils électroportatifs sont dangereux lorsqu'ils sont utilisés par des personnes non initiées.
- e) **Prendre soin des outils électroportatifs. Vérifier que les parties en mouvement fonctionnent correctement et qu'elles ne sont pas coincées, et contrôler si des parties sont cassées ou endommagées de sorte que le bon fonctionnement de l'outil électroportatif s'en trouve entravé. Faire réparer les parties endommagées avant d'utiliser l'appareil.** De nombreux accidents sont dus à des outils électroportatifs mal entretenus.
- f) **Maintenez les outils de coupe aiguisés et propres.** Des outils soigneusement entretenus avec des bords tranchants bien aiguisés se coincent moins souvent et peuvent être guidés plus facilement.
- g) **L'outil électroportatif, les accessoires, les outils à monter, etc. doivent être utilisés conformément à ces instructions. Tenez compte également des conditions de travail et du travail à effectuer.** L'utilisation des outils électroportatifs à d'autres fins que celles prévues peut entraîner des situations dangereuses.

5.1.5 Utilisation et maniement de l'outil sur accu

- a) **Ne chargez les accumulateurs que dans des chargeurs recommandés par le fabricant.** Si un chargeur approprié à un type spécifique d'accumulateurs est utilisé avec des blocs-accus non recommandés pour celui-ci, il y a risque d'incendie.
- b) **Dans les outils électroportatifs, n'utilisez que les accumulateurs spécialement prévus pour celui-ci.** L'utilisation de tout autre accumulateur peut entraîner des blessures et des risques d'incendie.
- c) **Tenez l'accumulateur non utilisé à l'écart de tous objets métalliques tels qu'agrafes, pièces de monnaie, clés, clous, vis ou autres, étant donné qu'un pontage peut provoquer un court-circuit.** Un court-circuit entre les contacts d'accu peut provoquer des brûlures ou un incendie.
- d) **En cas d'utilisation abusive, du liquide peut sortir de l'accumulateur. Éviter tout contact avec ce liquide. En cas de contact par mégarde, rincez soigneusement avec de l'eau. Au cas où le liquide rentrerait dans les yeux, consultez en plus un médecin.** Le liquide qui sort de l'accumulateur peut entraîner des irritations de la peau ou causer des brûlures.

5.1.6 Service

- a) **Ne faire réparer l'outil électroportatif que par un personnel qualifié et seulement avec des pièces de rechange d'origine.** Ceci permet d'assurer la sécurité de l'outil électroportatif.

5.2 Consignes de sécurité supplémentaires

5.2.1 Sécurité des personnes

- a) **Lors des travaux pendant lesquels la vis risque de toucher des câbles électriques cachés, tenir l'appareil uniquement**

par les surfaces isolées des poignées. Le contact de la vis avec un câble conducteur risque aussi de mettre les parties métalliques de l'appareil sous tension et de provoquer une décharge électrique.

- b) **Porter un casque antibruit.** Le bruit peut entraîner des pertes auditives.
- fr c) **Si l'appareil fonctionne sans dispositif d'aspiration de la poussière et si le travail effectué dégage de la poussière, porter un masque respiratoire léger.**
- d) **Faire régulièrement des pauses et des exercices de relaxation et de massage des doigts pour favoriser l'irrigation sanguine dans les doigts.**
- e) **Éviter de toucher des pièces en rotation. Brancher l'appareil uniquement dans l'espace de travail.** Le fait de toucher des pièces en rotation, en particulier des outils en rotation, risque d'entraîner des blessures.
- f) **Activer le blocage (inverseur D/G sur la position médiane) pour le stockage et le transport de l'appareil.**
- g) **Avertir les enfants et veiller à ce qu'ils ne jouent pas avec l'appareil.**
- h) **L'appareil n'est pas destiné à être utilisé par des enfants ou des personnes affaiblies sans encadrement.**
- i) Les poussières de matériaux telles que des poussières de peinture au plomb, de certains types de bois, minéraux et métaux, peuvent être nocives pour la santé. Le contact ou l'aspiration des poussières peut provoquer des réactions allergiques et/ou des maladies respiratoires de l'utilisateur ou de toute personne se trouvant à proximité. Certaines poussières, telles que des poussières de chêne ou de hêtre, sont considérées comme cancérogènes, en particulier lorsqu'elles sont combinées à des additifs destinés au traitement du bois (chromate, produit de protection du bois). Les matériaux contenant de l'amiante doivent seulement être manipulés par un personnel spécialisé. **Un dispositif d'aspiration doit être utilisé dans la mesure du possible. Pour une aspiration optimale de la poussière, utiliser de préférence l'aspirateur mobile approprié pour bois et/ou poussières minérales recommandé par Hilti, qui est spécialement étudié pour cet outil électroportatif. Veiller à ce que la place de travail soit bien ventilée. Il est recommandé de porter un masque anti-poussière de la classe de filtre P2. Respecter les prescriptions locales en vigueur qui s'appliquent aux matériaux travaillés.**

5.2.2 Utilisation et emploi soigneux de l'outil électroportatif

- a) **Bien fixer la pièce. Pour ce faire, utiliser un dispositif de serrage ou un étau, pour maintenir la pièce travaillée en place.** Elle sera ainsi mieux tenue qu'à la main, et les deux mains restent alors libres pour commander l'appareil.
- b) **Vérifier que les outils sont bien munis du système d'emmanchement adapté à l'appareil et qu'ils sont toujours correctement verrouillés dans le porte-outil.**
- c) **Vérifier que les vis et la pièce travaillée sont adaptées au couple de rotation généré par l'appareil.** Un couple de rotation trop élevé risque de trop solliciter les vis et la pièce travaillée, de les dilater ou de les endommager, et par conséquent d'entraîner des situations dangereuses ou des blessures.

5.2.3 Utilisation et emploi soigneux des appareils sur accu

- a) **Ne pas exposer les blocs-accus à des températures élevées ni au feu.** Il y a risque d'explosion.
- b) **Les blocs-accus ne doivent pas être démontés, écrasés, chauffés à une température supérieure à 80 °C ou jetés au feu.** Sinon, il y a risque d'incendie, d'explosion et de brûlure par l'acide.
- c) **N'utiliser aucun autre bloc-accu que ceux homologués pour l'appareil concerné.** En cas d'utilisation d'autres blocs-accus ou d'utilisation non conforme des blocs-accus, il y a risque de feu et d'explosion.
- d) **Respecter les directives spécifiques relatives au transport, au stockage et à l'utilisation des blocs-accus Li-Ion.**
- e) **Les blocs-accus endommagés (par exemple des blocs-accus fissurés, dont certaines pièces sont cassées, dont les contacts sont déformés, rentrés et / ou sortis) ne doivent plus être chargés ni utilisés.**
- f) Si le bloc-accu est trop chaud pour être saisi, il se peut qu'il soit défectueux. **Déposer l'appareil à un endroit non**

inflammable d'où il peut être surveillé, suffisamment loin de matériaux potentiellement inflammables et le laisser refroidir. Contacter le S.A.V. Hilti une fois que le bloc-accu est refroidi.

5.2.4 Sécurité relative au système électrique



fr

Avant d'entamer le travail, vérifier, par exemple à l'aide d'un détecteur de métaux, qu'il n'y a pas de câbles ou gaines électriques, tuyaux de gaz ou d'eau cachés dans la zone d'intervention. Toutes pièces métalliques extérieures de l'appareil peuvent devenir conductrices, par exemple, lorsqu'un câble électrique est endommagé par inadvertance. Cela peut entraîner un grave danger d'électrocution.

5.2.5 Place de travail

- Veiller à ce que la place de travail soit bien éclairée.
- Veiller à ce que la place de travail soit bien ventilée. Des places de travail mal ventilées peuvent nuire à la santé du fait de la présence excessive de poussière.

5.2.6 Équipement de protection individuelle



L'utilisateur et les personnes se trouvant à proximité pendant l'utilisation de l'appareil doivent porter des lunettes de protection adaptées, un casque de protection, un casque antibruit, des gants de protection et un masque respiratoire léger.

6 Mise en service



6.1 Utilisation soigneuse des blocs-accus

REMARQUE

À basses températures, la puissance du bloc-accu diminue. Ne pas utiliser le bloc-accu jusqu'à ce que l'appareil s'arrête complètement. Remplacer le bloc-accu à temps par le bloc-accu de recharge. Recharger le bloc-accu immédiatement pour qu'il soit de nouveau disponible pour le prochain remplacement.

Stocker si possible le bloc-accu dans un endroit sec et frais. Ne jamais conserver le bloc-accu dans un endroit exposé au soleil, sur un appareil de chauffage ou derrière des vitres. Une fois arrivés au terme de leur durée de service, les blocs-accus doivent être éliminés conformément à la réglementation en vigueur et en toute sécurité.

6.2 Charger le bloc-accu.



ATTENTION

Utiliser uniquement les chargeurs Hilti prévus, spécifiés sous « Outils et accessoires ».

6.2.1 Recharge initiale d'un nouveau bloc-accu

Avant la première mise en service, charger complètement les blocs-accus.

6.2.2 Recharge d'un bloc-accu utilisé

fr Vérifier que les surfaces extérieures du bloc-accu sont propres et sèches avant de l'insérer dans le chargeur approprié.

Avant de recharger le bloc-accu, lire le mode d'emploi du chargeur. Les blocs-accus Li-Ion sont toujours prêts à l'emploi, même lorsqu'ils sont partiellement chargés. Des témoins lumineux indiquent la progression du processus de charge (voir mode d'emploi du chargeur).

6.3 Mise en place du bloc-accu

ATTENTION

Avant de réinsérer le bloc-accu, s'assurer que l'appareil est bien sur arrêt et que le blocage pendant la marche est activé (inverseur du sens de rotation droite / gauche en position médiane). Utiliser uniquement les blocs-accus Hilti homologués pour l'appareil.

ATTENTION

Avant d'insérer le bloc-accu dans l'appareil, s'assurer que les contacts du bloc-accu et les contacts de l'appareil sont exempts de tout corps étranger.

1. Insérer le bloc-accu dans l'appareil par l'arrière, jusqu'à ce qu'il s'encliquette jusqu'à la butée avec un « double-clic » audible.
2. **ATTENTION Si le bloc-accu n'est pas correctement mis en place, il risque de tomber pendant le travail.**

ATTENTION Une chute de bloc-accu pourrait vous mettre en danger ou mettre en danger d'autres personnes.

Avant d'entamer le travail, vérifier que le bloc-accu est solidement fixé dans l'appareil.

6.4 Retrait du bloc-accu

1. Enfoncer les deux boutons de déverrouillage.
2. Tirer le bloc-accu vers l'arrière hors de l'appareil.

6.5 Transport et stockage des blocs-accus

Tirer le bloc-accu hors de la position de blocage (position de travail) dans la première position d'encliquetage (position de transport).

Lors du retrait d'un bloc-accu pour le transport ou le stockage de l'appareil, s'assurer que les contacts du bloc-accu ne sont pas court-circuités. Sortir du coffret, de la caisse à outils ou du contenant de transport, toutes les pièces métalliques détachées, telles que des vis, clous, brides de fixation, embouts filetés libres, fils ou copeaux métalliques, ou éviter que de telles pièces ne viennent en contact avec le bloc-accu.

Pour l'expédition du bloc-accu (que ce soit par transport routier, ferroviaire, maritime ou aérien), il convient d'observer les directives nationales et internationales en vigueur.

7 Utilisation



7.1 Changement d'outil

REMARQUE

Pour bloquer l'outil, l'appareil est équipé d'un mandrin carré ext. 1/2" avec demi-rotule ou d'un mandrin carré ext. 3/4" avec blocage par goupille.

7.1.1 Changement d'outil carré ext. 1/2" avec demi-rotule

REMARQUE

Aligner l'alésage latéral de la gorge de la douille avec la demi-rotule sur le porte-outil, sans quoi l'outil n'est pas bloqué et risque de tomber.

7.1.1.1 Montage de la douille (outil) 3

1. Mettre l'inverseur du sens de rotation droite / gauche sur la position médiane ou sortir le bloc-accu de l'appareil.
2. Aligner l'alésage latéral de la gorge de la douille avec la demi-rotule sur le porte-outil.
3. Pousser la douille sur le porte-outil jusqu'à ce qu'elle s'encliquette.

7.1.1.2 Démontage de la douille (outil) 4

1. Mettre l'inverseur du sens de rotation droite / gauche sur la position médiane ou sortir le bloc-accu de l'appareil.
2. Retirer la douille du porte-outil.

7.1.2 Changement d'outil carré ext. 3/4" avec blocage par goupille

7.1.2.1 Montage de la douille (outil) 5

1. Mettre l'inverseur du sens de rotation droite / gauche sur la position médiane ou sortir le bloc-accu de l'appareil.
2. Sortir le joint torique de la rainure de la douille.
3. Retirer la goupille de blocage.
4. Placer la douille sur le carré d'entraînement de l'appareil.

REMARQUE Veiller à ce que les orifices du support de la goupille de blocage sur le carré d'entraînement et la douille concordent.

5. Remonter d'abord la goupille de blocage puis le joint torique de sécurité dans la rainure.

7.1.2.2 Démontage de la douille (outil) 6

1. Mettre l'inverseur du sens de rotation droite / gauche sur la position médiane ou sortir le bloc-accu de l'appareil.
2. Sortir le joint torique de la rainure de la douille.
3. Retirer la goupille de blocage.
4. Enlever la douille du carré d'entraînement de l'appareil.
5. Remonter d'abord la goupille de blocage puis le joint torique de sécurité dans la rainure.

7.2 Sélection du sens de rotation droite / gauche 7

REMARQUE

L'inverseur de sens de rotation droite / gauche permet de choisir le sens de rotation du mandrin. Un dispositif de blocage empêche toute inversion du sens de rotation lorsque le moteur tourne. Dans la position médiane, l'interrupteur de commande est bloqué. Pousser l'inverseur de sens de rotation droite / gauche vers la droite (dans le sens de travail de l'appareil) = rotation droite. Pousser l'inverseur de sens de rotation droite / gauche vers la gauche (dans le sens de travail de l'appareil) = rotation gauche.

7.3 Mise en marche / Arrêt

En appuyant lentement sur l'interrupteur de commande, la vitesse de rotation peut être réglée progressivement de la vitesse minimale à la vitesse maximale.

7.4 Vissages

AVERTISSEMENT

Vérifier que les vis et la pièce travaillée sont adaptées au couple de rotation généré par l'appareil. Un couple de rotation trop élevé risque de trop solliciter les vis et la pièce travaillée, de les dilater ou de les endommager, et par conséquent d'entraîner des situations dangereuses ou des blessures.

Sélectionner le sens de rotation souhaité à l'aide de l'inverseur du sens de rotation droite / gauche.

7.5 Lecture de l'indicateur de l'état de charge sur le bloc-accu Li-Ion 8

REMARQUE

Il n'est pas possible de contrôler l'état de charge pendant le travail. La DEL 1 clignote seulement pour indiquer qu'un bloc-accu est complètement déchargé ou trop chaud (températures > 80 °C). Si tel est le cas, le bloc-accu doit être mis dans le chargeur. Une surcharge ou surchauffe de l'appareil est signalée par le clignotement simultané des 4 DEL.

Le bloc-accu Li-Ion dispose d'un indicateur de l'état de charge. L'indicateur du bloc-accu permet d'indiquer l'état de charge

pendant le processus de charge (voir le chapitre « État de charge du bloc-accu Li-Ion »). Au repos, l'état de charge est indiqué par les quatre DEL pendant trois secondes après avoir appuyé sur une des touches de verrouillage du bloc-accu.

7.6 Patte d'accrochage à la ceinture 9

fr ATTENTION

Avant de commencer à travailler, vérifier que la patte d'accrochage à la ceinture est bien fixée.

La patte d'accrochage permet de fixer l'appareil à la ceinture proche du corps. De plus, la patte d'accrochage à la ceinture peut être fixée de l'autre côté de l'appareil pour les gauchers.

1. Extraire le bloc-accu de l'appareil.
2. Insérer la plaque à visser dans le guidage prévu à cet effet.
3. Fixer la patte d'accrochage à la ceinture à l'aide des deux vis.

8 Nettoyage et entretien

ATTENTION

Avant tout travail de nettoyage, retirer le bloc-accu pour éviter toute mise en marche intempestive de l'appareil !

8.1 Nettoyage des outils

Enlever toute trace de saleté et protéger la surface des outils contre la corrosion, en les frottant à l'occasion avec un chiffon imbibé d'huile.

8.2 Nettoyage de l'appareil

ATTENTION

Tenir l'appareil, en particulier les surfaces de préhension, sec, propre et exempt d'huile et de graisse. Ne pas utiliser de nettoyants à base de silicone.

La coque extérieure du boîtier de l'appareil est fabriquée en plastique résilient. La partie préhensible est en élastomère.

Ne jamais faire fonctionner l'appareil si ses ouïes d'aération sont bouchées ! Les nettoyer avec précaution au moyen d'une brosse sèche. Éviter toute pénétration de corps étrangers à l'intérieur de l'appareil. Nettoyer régulièrement l'extérieur de l'appareil avec un chiffon légèrement humide. N'utiliser ni pulvérisateur, ni appareil à jet de vapeur, ni eau courante pour nettoyer l'appareil, afin de garantir sa sûreté électrique.

8.3 Entretien du bloc-accu Li-ion

Éviter toute pénétration d'humidité.

Avant la première mise en service, charger complètement les blocs-accus.

Pour que les blocs-accus atteignent leur longévité maximale, terminer la décharge dès que la puissance de l'appareil diminue nettement.

REMARQUE

Si l'appareil continue de fonctionner, la décharge se termine automatiquement et la DEL 1 du bloc-accu clignote, pour éviter que les cellules ne soient endommagées.

Charger les blocs-accus à l'aide des chargeurs Hilti homologués pour les blocs-accus Li-ion.

REMARQUE

- Contrairement aux blocs-accus NiCd ou NiMH, une recharge de régénération des blocs-accus n'est pas nécessaire.
- Une interruption du processus de charge ne réduit pas la longévité du bloc-accu.
- Le processus de charge peut à tout moment être démarré sans réduire la longévité. Il n'y a pas d'effet mémoire comme pour les blocs-accus NiCd ou NiMH.
- Les blocs-accus seront de préférence stockés complètement chargés et, si possible, dans un endroit sec et frais. Le stockage des blocs-accus à des températures élevées (derrière des vitres) est défavorable, réduit la longévité des blocs-accus et augmente le taux d'autodécharge des éléments.
- Si le bloc-accu n'est plus complètement chargé, il a perdu de sa capacité par vieillissement ou sollicitation excessive. Il est encore possible de travailler avec ce bloc-accu, mais il faudrait penser à le remplacer à temps par un neuf.

8.4 Entretien

AVERTISSEMENT

Toute réparation des pièces électriques ne doit être effectuée que par un électricien qualifié.

Vérifier régulièrement toutes les pièces extérieures de l'appareil pour voir si elles ne sont pas abîmées et s'assurer que tous les organes de commande fonctionnent correctement. Ne pas utiliser l'appareil si des pièces sont abîmées ou si des organes de commande ne fonctionnent pas parfaitement. Faire réparer l'appareil par le S.A.V. Hilti.

fr

8.5 Contrôle après des travaux de nettoyage et d'entretien

Après des travaux de nettoyage et d'entretien, vérifier si tous les équipements de protection sont bien en place et fonctionnent parfaitement.

9 Guide de dépannage

Défauts	Causes possibles	Solutions
L'appareil ne fonctionne pas.	Le bloc-accu n'est pas complètement encliqueté ou est vide.	Vérifier que le bloc-accu s'encliquette avec un « double-clic » audible. Le charger si nécessaire.
	Erreur d'origine électrique.	Sortir le bloc-accu de l'appareil et contacter le S.A.V. Hilti.
L'appareil ne fonctionne pas et 1 DEL clignote.	Le bloc-accu est déchargé.	Changer de bloc-accu et charger le bloc-accu vide.
	Bloc-accu trop chaud ou trop froid.	Amener le bloc-accu à la température de service recommandée.
L'appareil ne fonctionne pas et toutes les 4 DEL clignent.	Appareil momentanément surchargé.	Relâcher puis réappuyer sur l'interrupteur de commande.
	Protection contre les surchauffes.	Laisser refroidir l'appareil. Nettoyer les ouïes d'aération.
Impossible d'enfoncer l'interrupteur Marche / Arrêt ou l'interrupteur est bloqué.	Inverseur du sens de rotation droite / gauche sur la position médiane (position de transport).	Pousser l'inverseur du sens de rotation droite / gauche vers la droite ou vers la gauche.
La vitesse de rotation chute brusquement.	Le bloc-accu est déchargé.	Changer de bloc-accu et charger le bloc-accu vide.
Le bloc-accu se vide plus rapidement que d'habitude.	L'état du bloc-accu n'est pas optimal.	Diagnostic par le S.A.V. Hilti ou remplacement de bloc-accu.
Le bloc-accu ne s'encliquette pas avec un « double clic » audible.	Ergots d'encliquetage encrassés sur le bloc-accu.	Nettoyer les ergots d'encliquetage et insérer le bloc-accu jusqu'au « clic ». S'adresser au S.A.V. Hilti si le problème subsiste.
Important dégagement de chaleur dans l'appareil ou dans le bloc-accu.	Défaut électrique.	Arrêter immédiatement l'appareil, sortir le bloc-accu de l'appareil et s'adresser au S.A.V. Hilti.
	Charge excessive de l'appareil (limite d'emploi dépassée).	Utiliser un appareil approprié pour ce type de travail.

10 Recyclage

ATTENTION

En cas de recyclage incorrect du matériel, les risques suivants peuvent se présenter : la combustion de pièces en plastique risque de dégager des fumées et gaz toxiques nocifs pour la santé. Les piles abîmées ou fortement échauffées peuvent exploser, causer des empoisonnements ou intoxications, des brûlures (notamment par acides), voire risquent de polluer l'environnement. En cas de recyclage sans précautions, des personnes non autorisées risquent d'utiliser le matériel de manière incorrecte, voire de se blesser sérieusement, d'infliger de graves blessures à des tierces personnes et de polluer l'environnement.

ATTENTION

Éliminer immédiatement les blocs-accus défectueux. Les tenir hors de portée des enfants. Ne pas démonter les blocs-accus ni les jeter au feu.

ATTENTION

Éliminer les blocs-accus conformément aux prescriptions nationales en vigueur ou les renvoyer à Hilti.



Les appareils Hilti sont fabriqués en grande partie avec des matériaux recyclables dont la réutilisation exige un tri correct. Dans de nombreux pays, Hilti est déjà équipé pour reprendre votre ancien appareil afin d'en recycler les composants. Consultez le service clients Hilti ou votre conseiller commercial.



Pour les pays de l'UE uniquement.

Ne pas jeter les appareils électriques dans les ordures ménagères !

Conformément à la directive européenne concernant les appareils électriques et électroniques anciens et sa transposition au niveau national, les outils électriques usagés et les blocs-accus doivent être collectés séparément et recyclés de manière non polluante.

11 Garantie constructeur des appareils

Hilti garantit l'appareil contre tout vice de matières et de fabrication. Cette garantie s'applique à condition que l'appareil soit utilisé et manipulé, nettoyé et entretenu correctement, en conformité avec le mode d'emploi Hilti, et que l'intégrité technique soit préservée, c'est-à-dire sous réserve de l'utilisation exclusive de consommables, accessoires et pièces de rechange d'origine Hilti.

Cette garantie se limite strictement à la réparation gratuite ou au remplacement gracieux des pièces défectueuses pendant toute la durée de vie de l'appareil. Elle ne couvre pas les pièces soumises à une usure normale.

Toutes autres revendications sont exclues pour autant que des dispositions légales nationales impératives ne s'y opposent pas. En particulier, Hilti ne saurait être tenu pour responsable de toutes détériorations, pertes ou dépenses directes, indirectes, accidentelles ou consécutives, en rapport avec l'utilisation ou dues à une incapacité à utiliser l'appareil dans quelque but que ce soit. Hilti exclut en particulier les garanties implicites concernant l'utilisation et l'aptitude dans un but bien précis.

Pour toute réparation ou tout échange, renvoyer l'appareil ou les pièces concernées au réseau de vente Hilti compétent, sans délai, dès constatation du défaut.

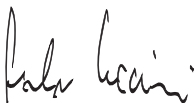
La présente garantie couvre toutes les obligations d'Hilti et annule et remplace toutes les déclarations antérieures ou actuelles, de même que tous accords oraux ou écrits concernant des garanties.

12 Déclaration de conformité CE (original)

Désignation :	Boulonneuse à choc sans fil
Désignation du modèle :	SIW 22T-A
Génération :	01
Année de fabrication :	2013

Nous déclarons sous notre seule et unique responsabilité que ce produit est conforme aux directives et normes suivantes : EN 60745-1, EN 60745-2-2, 2006/42/CE, 2004/108/CE, 2006/66/CE, 2011/65/UE, EN ISO 12100.

Hilti Corporation, Feldkircherstrasse 100, FL-9494 Schaan



Paolo Luccini
Head of BA Quality and Process Management

Business Area Electric Tools & Accessories
06/2013



Jan Doongaji
Executive Vice President

Business Unit Power Tools & Accessories
06/2013

fr

Documentation technique par :
Hilti Entwicklungsgesellschaft mbH
Zulassung Elektrowerkzeuge
Hiltistrasse 6
86916 Kaufering
Deutschland

ORIGINAL BRUGSANVISNING

SIW 22T-A Batteridrevet slag-nøgle

Læs brugsanvisningen grundigt igennem før ibrugtagning.

Opbevar altid brugsanvisningen sammen med maskinen.

da

Sørg for, at brugsanvisningen altid følger med ved overdragelse af maskinen til andre.

Indholdsfortegnelse

1	Generelle anvisninger	30
2	Beskrivelse	31
3	Tilbehør	32
4	Tekniske specifikationer	33
5	Sikkerhedsanvisninger	34
6	Ibrugtagning	37
7	Anvendelse	38
8	Rengøring og vedligeholdelse	39
9	Fejlsøgning	40
10	Bortskaffelse	41
11	Producentgaranti - Produkter	42
12	EF-overensstemmelseserklæring (original)	42

1 Disse tal henviser til illustrationer. Illustrationerne kan du finde på udfoldssiderne på omslaget. Kig på disse sider, når du læser brugsanvisningen.

I denne brugsanvisning betegner »maskinen« altid den batteridrevne slag-nøgle SIW 22T-A med isat batteri.

Betjeningselementer og maskindele **1**

- ① Værktøjsholder
- ② Afbryder (med elektronisk hastighedsstyring)
- ③ Omskifter til valg af højre-/venstreløb med startspærre
- ④ Frigøringstaster med ekstrafunktion til aktivering af ladetilstandsvisning
- ⑤ Typeskilt
- ⑥ Ladetilstands- og fejlvisning (lithium-ion-batteri)
- ⑦ Bælttekrog (ekstratilbehør)

1 Generelle anvisninger

1.1 Signalord og deres betydning

FARE

Står ved en umiddelbart truende fare, der kan medføre alvorlige kvæstelser eller døden.

ADVARSEL

Advarer om en potentielt farlig situation, der kan forårsage alvorlige personskader eller døden.

FORSIGTIG

Advarer om en potentielt farlig situation, der kan forårsage lettere personskader eller materielle skader.

BEMÆRK

Står ved anvisninger om brug og andre nyttige oplysninger.

1.2 Forklaring af piktogrammer og yderligere anvisninger

Advarselssymboler



Generel fare



Advarsel om farlig elektrisk spænding



Advarsel om ætsende stoffer

Påbudssymboler



Brug beskyttelsesbriller



Brug sikkerhedshjelm



Brug høreværn



Brug beskyttelseshandsker



Brug støvmaske

da

Symboler



Læs brugsanvisningen før brug



Affald skal indleveres til genvinding på en genbrugsstation.



volt



Jævnstrøm

n_0

Nominelt omdrejningstal ubelastet

/min

Omdrejninger pr. minut

Placering af identifikationsoplysninger på maskinen

Typebetegnelsen fremgår af typeskiltet, og serienummeret er anbragt på siden af motorhuset. Skriv disse oplysninger i brugsanvisningen, og henvis til disse, når du henvender dig til vores kundeservice eller værksted.

Type:

Generation: 01

Serienummer:

2 Beskrivelse

2.1 Anvendelsesformål

SIW 22T-A er en håndført batteridrevet slag nøgle. Den er velegnet til fastspænding og løsning af møtrikker og bolte, ankre og træbolte.

Det er ikke tilladt at bearbejde sundhedsfarlige materialer, f.eks. asbest.

Overhold desuden gældende arbejdsmiljøregler.

Anvend ikke batterierne som energikilde for andre ikke specificerede forbrugere.

Det er ikke tilladt at modificere eller tilføje ekstra dele til maskinen. Brug kun originalt Hilti-tilbehør og ekstraudstyr for at undgå ulykker.

Maskinen må ikke anvendes til formål, som kræver et præcist/specificeret drejningsmoment. Ved anvendelse af maskinen til formål, som kræver et specificeret drejningsmoment, eller ved hvilke et maksimalt drejningsmoment ikke må overskrides, er der fare for at dreje skruen over eller at beskadige skruen eller emnet. Til sådanne formål skal der anvendes en maskine, hvis drejningsmoment kan indstilles præcist.

Overhold forskrifterne i denne brugsanvisning med hensyn til drift, pleje og vedligeholdelse.

Maskinen er beregnet til professionel brug og må kun betjenes, efterses og vedligeholdes af autoriseret og instrueret personale. Dette personale skal i særdeleshed informeres om de potentielle farer, der er forbundet med brugen af denne maskine. Der kan opstå farlige situationer ved anvendelse af maskinen og det tilhørende udstyr, hvis det anvendes af personer, der ikke er blevet undervist i brugen af dem, eller hvis de ikke anvendes korrekt i henhold til forskrifterne i denne brugsanvisning.

Maskinen kan med fordel anvendes følgende steder og til følgende formål: på byggepladser, på værksteder, til reovering, til ombygning, til nybygning.

2.2 Værktøjsholder

½" udvendig firkant med halvkonus

¾" udvendig firkant med låsestift

2.3 Kontakt

Afbryder med elektronisk hastighedsstyring

Omskifter til valg af højre-/venstreløb med startspærre

da

2.4 Leveringsomfang i kuffert:

1 Maskine

1 Brugsanvisning

1 Hilti-kuffert

2.5 Leveringsomfang i kasse:

1 Maskine

1 Brugsanvisning

2.6 Til brug af maskinen kræves desuden følgende:

Et batteri B 22/2.6 Li-Ion eller B 22/3.3 Li-Ion med lader C4/36-90 eller C4/36-350 eller C 4/36 eller C 4/36-ACS eller C 4/36-ACS TPS.

2.7 Ladetilstands- og overophedningsindikator på lithium-ion-batterier

Lysdiode lyser	Lysdiode blinker	Ladetilstand C
Lysdiode 1, 2, 3, 4	-	$C \geq 75 \%$
Lysdiode 1, 2, 3	-	$50 \% \leq C < 75 \%$
Lysdiode 1, 2	-	$25 \% \leq C < 50 \%$
Lysdiode 1	-	$10 \% \leq C < 25 \%$
-	Lysdiode 1	$C < 10 \%$
-	Lysdiode 1	Batteri overophedet

2.8 Overbelastnings- og overophedningsindikator på maskinen

Maskinen er udstyret med elektronisk overbelastningsbeskyttelse og overophedningsbeskyttelse. Ved overbelastning og overophedning slukkes maskinen automatisk. Hvis afbryderen slippes og trykkes ind igen, kan det medføre forsinket start (maskinens afkølingsfaser).

Lysdiode lyser	Lysdiode blinker	Maskintilstand
-	Lysdiode 1, 2, 3, 4	Maskine overbelastet eller overophedet

3 Tilbehør

Betegnelse	Kort betegnelse
Bit	S-NSD og SV
Lader til Li-Ion-batterier	C 4/36
Lader til Li-Ion-batterier	C 4/36-ACS
Lader til Li-Ion-batterier	C 4/36-ACS TPS
Lader til lithium-ion-batterier	C 4/36-90
Lader til lithium-ion-batterier	C 4/36-350
Batteri	B 22/3.3 Li-Ion
Batteri	B 22/2.6 Li-Ion
Batteri	B 22/1.6 Li-Ion
Bæltkrog	

4 Tekniske specifikationer

Ret til tekniske ændringer forbeholdes!

Maskine	SIW 22T-A 1/2"	SIW 22T-A 3/4"
Nominel spænding (jævnspænding)	21,6 V	21,6 V
Vægt i overensstemmelse med EPTA-procedure 01/2003	3 kg	3,2 kg
Mål (L x B x H)	232 mm x 94 mm x 258 mm	251 mm x 94 mm x 258 mm
Nom. omdrejningstal ubelastet	0...2.000/min	0...2.000/min
Slagantal	Maks. 2.500 1/min	Maks. 2.500 1/min
Drejningsmoment	450 Nm	450 Nm
Standardskrue	M12 - M24	M12 - M24
Meget kraftig skrue	M8 - M16	M8 - M16
Værktøjsholder	1/2" udvendig firkant med halvkonus	3/4" udvendig firkant med låsestift
Styring af omdrejningstal	Elektronisk via afbryder	Elektronisk via afbryder
Højre-/venstreløb	Elektrisk omskifter med omskiftningsspærre under drift	Elektrisk omskifter med omskiftningsspærre under drift
Dybafladningsbeskyttelse	ja	ja

da

BEMÆRK

Information om støjniveau (målt iht. EN 60745-1):

Maskine	SIW 22T-A 1/2"	SIW 22T-A 3/4"
Typisk A-vægtet lydeffektniveau	108 dB (A)	111 dB (A)
Typisk A-vægtet lydtrykniveau.	97 dB (A)	100 dB (A)
Usikkerhed for de nævnte lyd niveauer	3 dB (A)	3 dB (A)

BEMÆRK

Det vibrationsniveau, der angives i disse anvisninger, er målt med en målemetode, der opfylder bestemmelserne i EN 60745, og kan anvendes i forbindelse med en sammenligning af forskellige elværktøjer. Det kan også anvendes til en foreløbig vurdering af vibrationsbelastningen. Det angivne vibrationsniveau dækker de væsentlige anvendelsesformål for elværktøj. Hvis elværktøjet imidlertid anvendes til andre formål, med andre indsatsværktøjer eller utilstrækkelig vedligeholdelse, kan vibrationsniveauet afvige. Dette kan forøge vibrationsbelastningen i hele arbejdstiden markant. For at opnå en præcis vurdering af vibrationsbelastningen bør også den tid, hvor maskinen er slukket eller blot kører uden at blive anvendt, inddrages. Dette kan reducere vibrationsbelastningen i hele arbejdstiden markant. Fastlæg yderligere sikkerhedsforanstaltninger til beskyttelse af brugeren mod vibrationspåvirkninger, f.eks. er det vigtigt at vedligeholde elværktøj og indsatsværktøj, at holde hænderne varme og at organisere arbejdsprocesserne.

Yderligere oplysninger iht. EN 60745

Triaksiale vibrationsværdier (vibrationsvektorsum)	målt i henhold til EN 60745-2-2
Slagskruning af befæstelseselementer med maksimal størrelse til værktøjet 1/2", a _h	14,5 m/s ²
Slagskruning af befæstelseselementer med maksimal størrelse til værktøjet 3/4", a _h	14,2 m/s ²
Usikkerhed (K)	1,5 m/s ²

Batteri	B 22/3.3 Li-Ion	B 22/2.6 Li-Ion	B 22/1.6 Li-Ion
Nominel spænding	21,6 V	21,6 V	21,6 V
Batterikapacitet	3,3 Ah	2,6 Ah	1,6 Ah

Batteri	B 22/3.3 Li-Ion	B 22/2.6 Li-Ion	B 22/1.6 Li-Ion
Vægt	0,78 kg	0,78 kg	0,48 kg
Temperatu- rovervågning, opladning	ja	ja	ja
Temperatu- rovervågning, afladning	ja	ja	ja
Batteritype	Lithium-ion	Lithium-ion	Lithium-ion
Antal batteri- celler	12 stk.	12 stk.	6 stk.
Energiindhold	71,28 Wh	56,16 Wh	34,56 Wh

5 Sikkerhedsanvisninger

BEMÆRK

Sikkerhedsafsnittet i det følgende kapitel indeholder alle generelle sikkerhedsanvisninger vedrørende elværktøj, og i henhold til gældende bestemmelser skal disse anføres i brugsanvisningen. Der kan således forekomme anvisninger, der ikke er relevante for denne maskine.

5.1 Generelle sikkerhedsanvisninger for elværktøj

a) ADVARSEL

Læs alle sikkerhedsanvisninger og instruktioner. Hvis sikkerhedsanvisningerne og instruktionerne ikke overholdes, er der risiko for elektrisk stød, brand og/eller alvorlige personskader. **Opbevar alle sikkerhedsanvisninger og instruktioner til senere brug.** Det benyttede begreb "elværktøj" i sikkerhedsanvisningerne refererer til elektriske maskiner (med netledning) og batteridrevne maskiner (uden netledning).

5.1.1 Arbejdspladssikkerhed

- Sørg for at holde arbejdsområdet ryddeligt og godt oplyst.** Uorden eller uoplyste arbejdsområder øger faren for uheld.
- Brug ikke elværktøj i eksplosionstruede omgivelser, hvor der er brændbare væsker, gasser eller støv.** Maskiner kan slå gnister, der kan antænde støv eller dampe.
- Sørg for, at andre personer og ikke mindst børn holdes væk fra arbejdsområdet, når maskinen er i brug.** Hvis man distraheres, kan man miste kontrollen over maskinen.

5.1.2 Elektrisk sikkerhed

- Elværktøjets stik skal passe til kontakten. Stikket må under ingen omstændigheder ændres. Brug ikke adapterstik sammen med jordforbundne elværktøj.** Uændrede stik, der passer til kontakterne, nedsætter risikoen for elektrisk stød.
- Undgå kropskontakt med jordforbundne overflader som f.eks. rør, radiatorer, komfurer og køleskabe.** Hvis din krop er jordforbundet, øges risikoen for elektrisk stød.
- Elværktøj må ikke udsættes for regn eller fugt.** Indtrængning af vand i elværktøj øger risikoen for elektrisk stød.
- Brug ikke ledningen til formål, den ikke er beregnet til (f.eks. må man aldrig bære elværktøjet i ledningen, hænge det op i ledningen eller rykke i ledningen for at trække stikket ud af kontakten). Beskyt ledningen mod varme, olie, skarpe kanter eller maskindele, der er i bevægelse.** Beskadigede eller sammenviklede ledninger øger risikoen for elektrisk stød.
- Hvis maskinen benyttes i det fri, må der kun benyttes en forlængerledning, der er egnet til udendørs brug.** Brug af forlængerledning til udendørs brug nedsætter risikoen for elektrisk stød.
- Hvis det ikke kan undgås at anvende elværktøjet i fugtige omgivelser, skal du anvende et fejlstrømsrelæ.** Anvendelsen af et fejlstrømsrelæ nedsætter risikoen for et elektrisk stød.

5.1.3 Personlig sikkerhed

- Det er vigtigt at være opmærksom, se, hvad man laver, og bruge maskinen fornuftigt. Man bør ikke bruge elværktøjet, hvis man er træt, har nydt alkohol eller er påvirket**

- af medicin eller euforiserende stoffer.** Få sekunders uopmærksomhed ved brug af elværktøjet kan medføre alvorlige personskader.
- b) **Brug beskyttelsesudstyr, og hav altid beskyttelsesbriller på.** Brug af sikkerhedsudstyr som f.eks. støvmaske, skridsikert fodtøj, beskyttelseshjelm eller høreværn afhængigt af maskintype og anvendelse nedsætter risikoen for personskader.
 - c) **Undgå utilsigtet igangsætning. Kontrollér, at elværktøjet er frakoblet, før du slutter det til strømforsyningen og/eller batteriet, tager det op eller transporterer det.** Undgå at bære elværktøjet med fingeren på afbryderen, og sørg for, at det ikke er tændt, når det slutes til nettet, da dette øger risikoen for personskader.
 - d) **Fjern indstillingsværktøj eller skruenøgler, inden elværktøjet tændes.** Hvis et stykke værktøj eller en nøgle sidder i en roterende maskindel, er der risiko for personskader.
 - e) **Undgå at arbejde i unormale kroppsstillinger. Sørg for at stå sikkert, mens der arbejdes, og kom ikke ud af balance.** Det er derved nemmere at kontrollere elværktøjet, hvis der skulle opstå uventede situationer.
 - f) **Brug egnet arbejdstøj. Undgå løse beklædningsgenstande eller smykker. Hold hår, tøj og handsker væk fra dele, der bevæger sig.** Dele, der er i bevægelse, kan gribe fat i løstsiddende tøj, smykker eller langt hår.
 - g) **Hvis støvudsugnings- og opsamlingsudstyr kan monteres, er det vigtigt, at dette tilsluttes og benyttes korrekt.** Ved at anvende en støvudsugning er det muligt at nedsætte risiciene som følge af støv.

da

5.1.4 Anvendelse og pleje af elværktøj

- a) **Undgå at overbelaste maskinen. Brug altid en maskine, der er beregnet til det stykke arbejde, der skal udføres.** Med det rigtige værktøj arbejder man bedst og mest sikkert inden for det angivne effektområde.
- b) **Brug ikke maskinen, hvis afbryderen er defekt.** En maskine, der ikke kan startes og stoppes, er farlig og skal repareres.
- c) **Træk stikket ud af stikkontakten, og/eller fjern batteriet fra maskinen, inden du foretager indstillinger på den, skifter tilbehørsdele eller lægger den til side.** Disse sikkerhedsforanstaltninger forhindrer utilsigtet start af elværktøjet.
- d) **Opbevar ubenyttede maskiner uden for børns rækkevidde. Lad aldrig personer, der ikke er fortrolige med maskinen eller ikke har gennemlæst sikkerhedsanvisningerne benytte maskinen.** Maskiner er farlige, hvis de benyttes af ukyndige personer.
- e) **Sørg for at pleje elværktøjet omhyggeligt. Kontrollér, om bevægelige dele fungerer korrekt og ikke sidder fast, og om delene er brækket eller beskadiget, således at elværktøjets funktion påvirkes. Få beskadigede dele repareret, inden elværktøjet tages i brug.** Mange uheld skyldes dårligt vedligeholdte maskiner.
- f) **Sørg for, at skæreværktøjer er skarpe og rene.** Omhyggeligt vedligeholdte skæreværktøjer med skarpe skærekanter sætter sig ikke så hurtigt fast og er nemmere at føre.
- g) **Anvend elværktøj, tilbehør, indsatsværktøj osv. i overensstemmelse med disse anvisninger. Tag hensyn til arbejdsforholdene og det arbejde, der skal udføres.** I tilfælde af anvendelse af maskinen til formål, som ligger uden for det fastsatte anvendelsesområde, kan der opstå farlige situationer.

5.1.5 Anvendelse og pleje af batteridrevet elværktøj

- a) **Oplad kun batterier i ladere, der er anbefalet af fabrikanten.** Der er risiko for brand, hvis en lader, der er beregnet til et bestemt batteri, anvendes til opladning af en anden batteritype.
- b) **Brug kun de batterier, der er beregnet til elværktøjet.** Brug af andre batterier øger risikoen for personskader og er forbundet med brandfare.
- c) **Ikke benyttede batterier må ikke komme i berøring med kontorclips, mønter, nøgler, søm, skruer eller andre små metalgenstande, da disse kan kortslutte kontakterne.** En kortslutning mellem batterikontakterne øger risikoen for personskader i form af forbrændinger.
- d) **Hvis batteriet anvendes forkert, kan der løbe væske ud af batteriet. Undgå at komme i kontakt med denne væske. Hvis det alligevel skulle ske, skylles med vand. Søg læge, hvis væsken kommer i øjnene.** Batterivæske kan give hudirritation eller forbrændinger.

5.1.6 Service

- a) **Sørg for, at elværktøjet kun reparerer af kvalificerede fagfolk, og at der altid benyttes originale reservedele.** Dermed sikres størst mulig elværktøjsikkerhed.

5.2 Yderligere sikkerhedsanvisninger

5.2.1 Personlig sikkerhed

- a) **Hold maskinen på de isolerede grebsflader, når du udfører opgaver, hvor skruen kan ramme skjulte strømledninger.** Ved kontakt mellem skruen og en spændingsførende ledning kan også metalliske værktøjsdele sættes under spænding, hvilket kan medføre elektrisk stød.
- b) **Brug høreværn.** Støjpåvirkningen kan medføre høretab.
- c) **Hvis maskinen anvendes uden støvudsugning, skal du bruge åndedrætsværn.**
- d) **Hold pauser under arbejdet, og lav afspændings- og fingerrøvelser, så dine fingre får en bedre blodgennemstrømning.**
- e) **Undgå at berøre roterende dele. Tænd først maskinen, når du befinder dig i arbejdsområdet.** Berøring af roterende dele, især roterende værktøjer, kan medføre personskader.
- f) **Sæt omskifteren til valg af højre-/venstreløb i midterposition (startspærre) under opbevaring og transport af maskinen.**
- g) **Børn bør gøres opmærksomme på, at de ikke må lege med maskinen.**
- h) **Maskinen må ikke anvendes af børn eller svagelige personer, der ikke er instrueret i brugen.**
- i) Støv fra materialer såsom blyholdig maling, visse træsorter, mineraler og metal kan være sundhedsfarlige. Berøring eller indånding af støv kan medføre allergiske reaktioner og/eller luftvejssygdomme hos brugeren eller personer, der opholder sig i nærheden. Bestemte støvtyper, f.eks. støv fra ege- og bøgetræ, er kræftfremkaldende, især i forbindelse med tilsætningsstoffer til træbehandling (kromat, træbeskyttelsesmidler). Asbestholdige materialer må kun bearbejdes af fagfolk. **Anvend så vidt muligt støvudsugning. For at sikre en effektiv støvudsugning anbefales det at anvende en egnet mobil støvudsugning anbefalet af Hilti til træ- og/eller mineralstøv, som er tilpasset til det pågældende elværktøj. Sørg for god udluftning af arbejdspladsen. Det anbefales at bruge åndedrætsværn med filterklasse P2. Overhold de gældende nationale forskrifter vedrørende de materialer, der skal bearbejdes.**

5.2.2 Omhyggelig omgang med og brug af elværktøj

- a) **Sørg for at sikre emnet. Brug fastspændingsværktøj eller en skruestik til at fastspænde emnet.** På den måde holdes det mere sikkert fast end med hånden, og du har desuden begge hænder fri til at betjene maskinen.
- b) **Kontrollér, at værktøjet passer til maskinens værktøjsholder, og at det er låst korrekt fast i holderen.**
- c) **Kontrollér, at skruerne og emnet passer til det drejningsmoment, maskinen frembringer.** Et for højt drejningsmoment kan overbelaste, strække eller beskadige skruerne eller emnet og dermed føre til farlige situationer eller personskader.

5.2.3 Omhyggelig omgang med og brug af batteridrevet elværktøj

- a) **Udsæt ikke batterier for høje temperaturer, og hold dem væk fra ild.** Der er eksplosionsfare.
- b) **Batterierne må ikke adskilles, klemmes, opvarmes til over 80 °C eller brændes.** I modsat fald er der fare for brand, eksplosion og ætsning.
- c) **Anvend kun de godkendte batterier til den enkelte maskine.** Hvis der anvendes andre batterier, eller hvis batterierne anvendes til andre formål, er der fare for brand og eksplosion.
- d) **Læs de særlige retningslinjer for transport, opbevaring og brug af lithium-ion-batterier.**
- e) **Defekte batterier (for eksempel batterier med revner, ødelagte dele, bøjedede, tilbageslåede og/eller udtrukne kontakter) må ikke genoplades og genbruges.**
- f) Hvis batteriet er for varmt til at holde ved, kan det være defekt. **Placer apparatet på et ikke-brændbart sted i tilstrækkelig afstand til brændbare materialer, hvor det er muligt at**

holde øje med det, og lad det køle af. Kontakt Hiltis serviceafdeling, når batteriet er kølet af.

5.2.4 Elektrisk sikkerhed



da

Kontrollér før påbegyndelse af arbejdet arbejdsområdet for skjulte elektriske ledninger, gas- og vandrør, f.eks. med en metaldetektor. Udvendige metaldele på maskinen kan blive spændingsførende, hvis du f.eks. utilsigtet har beskadiget en elledning. Dette medfører en alvorlig fare for at få elektrisk stød.

5.2.5 Arbejdsplads

- Sørg for god belysning på arbejdspladsen.**
- Sørg for god udluftning af arbejdspladsen.** Dårligt udluftede arbejdspladser kan være sundhedsskadelige som følge af støvpåvirkningen.

5.2.6 Personligt beskyttelsesudstyr



Brugeren og personer, der opholder sig i nærheden, skal under brugen af maskinen bære beskyttelsesbriller, sikkerhedshjelm, høreværn, beskytteshandsker og et let ånde-drætsværn.

6 Ibrugtagning



6.1 Korrekt håndtering af batteriet

BEMÆRK

Ved lave temperaturer forringes batteriets ydeevne. Kør aldrig et batteri helt fladt, når der arbejdes med maskinen. Udskift batteriet rettidigt. Sæt samtidig det afladene batteri til opladning, så det er klar til næste gang, der skal skiftes batteri.

Opbevar batteriet køligt og tørt. Opbevar ikke batteriet i direkte sollys, på radiatorer eller i et vindue. Når batterierne ikke længere kan anvendes, skal de bortskaffes miljømæssigt forsvarligt og sikkert.

6.2 Opladning af batteri



FORSIGTIG

Brug kun de Hilti-ladere, der er angivet i afsnittet "Værktøj, tilbehør".

6.2.1 Førstegangsopladning af et nyt batteri

Lad batterierne helt op før første ibrugtagning.

6.2.2 Genopladning af et brugt batteri

Kontrollér, at batteriet er rent og tørt, før det sættes i opladeren. Læs brugsanvisningen til opladeren for at få oplysninger om fremgangsmåden ved genopladning.

Lithium-ion-batterier er altid klar til brug, også når de kun er delvist opladet. Ladestatus vises ved hjælp af lysdioderne (se brugsanvisningen til laderen).

6.3 Isætning af batteri

FORSIGTIG

Kontrollér, at maskinen er slukket, og at omskifteren til valg af højre-/venstreløb står i midterposition (startspærre), før batteriet sættes i maskinen. Brug kun de Hilti-batterier, der er godkendt til brug sammen med din maskine.

FORSIGTIG

Kontrollér, at batteriets kontakter og kontakterne i instrumentet er fri for fremmedlegemer, inden du sætter batteriet i instrumentet.

1. Skub batteriet i maskinen bagfra, indtil det går i indgreb med et tydeligt dobbeltklik på anslaget.
2. **FORSIGTIG Hvis batteriet ikke er sat korrekt i, kan det falde af under arbejdet.**

FORSIGTIG Et batteri, som falder på gulvet, kan være til fare for dig selv og andre.

Kontrollér 'før arbejdets begyndelse, at batteriet er sat korrekt i maskinen.

6.4 Udtagning af batteri 2

1. Tryk på de to knapper til frigørelse af batteriet.
2. Træk batteriet tilbage og ud af maskinen.

6.5 Transport og opbevaring af batterier

Træk batteriet ud af låsepositionen (arbejdsstilling) til første stopposition (transportstilling).

Hvis du fjerner batteriet fra en maskine i forbindelse med transport eller opbevaring, skal du sørge for, at kontakterne på batteriet ikke kortsluttes. Fjern løse metaldele, f.eks. skruer, søm, klammer, løse skruebits, tråd eller metalspånere fra kufferten, værktøjskassen eller transportbeholderen, eller sørg for, at batteriet ikke kan komme i kontakt med sådanne dele.

Ved forsendelse af batterier (vej-, skinne-, sø- eller lufttransport) skal nationalt og internationalt gældende transportforskrifter overholdes.

7 Anvendelse



7.1 Værktøjsskift

BEMÆRK

Maskinen er forsynet med en ½" udvendig firkant med halvkonus eller ¾" udvendig firkant med låsestift til værktøjssikring.

7.1.1 Værktøjsskift ½" udvendig firkant med halvkonus

BEMÆRK

Sørg for, at hullet i siden af toppen står ud for halvkuglen på værktøjsholderen, ellers er værktøjet ikke sikret imod at løsne sig.

7.1.1.1 Montering af top (værktøj) 3

1. Sæt omskifteren til valg af højre-/venstreløb i midterposition, eller tag batteriet ud af maskinen.
2. Sørg for, at hullet i siden af toppen står ud for halvkuglen i værktøjsholderen.
3. Tryk toppen på værktøjsholderen, indtil den går i indgreb.

7.1.1.2 Afmontering af top (værktøj) 4

1. Sæt omskifteren til valg af højre-/venstreløb i midterposition, eller tag batteriet ud af maskinen.
2. Træk toppen af værktøjsholderen.

7.1.2 Værktøjsskift ¾" udvendig firkant med låsestift

7.1.2.1 Montering af top (værktøj) 5

1. Sæt omskifteren til valg af højre-/venstreløb i midterposition, eller tag batteriet ud af maskinen.

2. Fjern O-ringen fra toppens not.
3. Træk sikkerhedsstiften ud.
4. Sæt toppen på maskinens firkant.
BEMÆRK Sørg for, at hullerne i sikkerhedsstiftens holder for firkant og top flugter.
5. Monter først sikkerhedsstiften og derefter O-ringen på toppen igen af hensyn til sikring.

7.1.2.2 Afmontering af top (værktøj) 6

1. Sæt omskifteren til valg af højre-/venstreløb i midterposition, eller tag batteriet ud af maskinen.
2. Fjern O-ringen fra toppens not.
3. Træk sikkerhedsstiften ud.
4. Tag toppen af maskinens firkant.
5. Monter først sikkerhedsstiften og derefter O-ringen på toppen igen af hensyn til sikring.

7.2 Indstilling af højre- eller venstreløb 7

BEMÆRK

Værktøjsspindlen indstilles til højre-/venstreløb ved hjælp af omskifteren til valg af højre-/venstreløb. En spærre forhindrer skift mellem højre- og venstreløb, når maskinen er i gang. Når omskifteren til valg af højre-/venstreløb står i midterpositionen, er afbryderen blokeret. Tryk omskifteren til valg af højre-/venstreløb til højre (i maskinens arbejdsretning) = højreløb. Tryk omskifteren til valg af højre-/venstreløb til venstre (i maskinens arbejdsretning) = venstreløb.

7.3 Tænd/sluk

Hastigheden reguleres trinløst mellem det minimale og det maksimale omdrejningstal ved at trykke afbryderen langsomt ind.

7.4 Skruning

ADVARSEL

Kontrollér, at skruerne og emnet passer til det drejningsmoment, maskinen frembringer. Et for højt drejningsmoment kan overbelaste, strække eller beskadige skruerne eller emnet og dermed føre til farlige situationer eller personskader.

Indstil maskinen til højre-/venstreløb på omskifteren til valg af højre-/venstreløb.

7.5 Aflæsning af ladetilstandsindikatoren på Li-Ion-batterier 8

BEMÆRK

Under arbejdet er det ikke muligt at få vist ladetilstanden. Når lysdiode 1 blinker, indikerer det kun, at batteriet er helt afladet eller for varmt (temperatur >80 °C). I så fald skal batteriet sættes i opladeren. Når alle 4 lysdioder blinker, er det tegn på, at maskinen er overbelastet og overophedet.

Lithium-ion-batteriet er forsynet med en ladetilstandsindikator. Under opladningen vises ladetilstanden på indikatoren på batteriet (se kapitlet Lithium-ion-batteriers ladetilstand). I standbytilstand vises ladetilstanden af de fire lysdioder i tre sekunder ved at trykke på en af låsetasterne på batteriet.

7.6 Bæltekrog 9

FORSIGTIG

Kontrollér før arbejdets begyndelse, at bæltekrogen er sikkert fastgjort.

Med bæltekrogen kan du fastgøre maskinen i bæltet tæt på kroppen. Endvidere er det muligt for venstrehåandede at placere bæltekrogen på den anden side af maskinen.

1. Træk batteriet ud af maskinen.
2. Sæt skruaplade i den dertil beregnede føring.
3. Fastgør bæltekrogen med de to skruer.

8 Rengøring og vedligeholdelse

FORSIGTIG

Tag batteriet ud af maskinen før rengøring for at forhindre utilsigtet start af maskinen!

8.1 Rengøring af bor etc.

Fjern støv og skidt, som har sat sig fast, og beskyt overfladen mod korrosion ved med jævne mellemrum at aftørre med en klud fugtet i olie.

8.2 Rengøring af maskinen

FORSIGTIG

da

Hold maskinen, især gribepladerne, tørre, rene og fri for olie og fedt. Anvend ikke silikoneholdige plejemidler.

Maskinhuset er fremstillet af et slagfast plastmateriale. Grebene er fremstillet af et elastomer-materiale.

Anvend aldrig maskinen, hvis ventilationsåbningerne er tilstoppede! Rengør forsigtigt ventilationsåbningerne med en tør børste. Sørg for, at der ikke trænger fremmedlegemer ind i maskinen. Rengør jævnligt huset udvendigt med en let fugtig klud. Anvend ikke spray, dampstråler eller rindende vand til rengøring! Det kan forringe maskinens elektriske sikkerhed.

8.3 Vedligeholdelse af Li-Ion-batterier

Undgå indtrængning af vand.

Lad batterierne helt op før første ibrugtagning.

For at sikre en maksimal levetid for batterierne skal du holde op med at bruge batteriet, når maskinens ydelse falder markant.

BEMÆRK

Ved yderligere brug af maskinen afsluttes afladningen automatisk, og lysdiode 1 på batteriet blinker, før cellerne bliver beskadiget.

Oplad batterierne med de godkendte Hilti-ladere til lithium-ion-batterier.

BEMÆRK

- Vedligeholdelsesopladning af batterierne som ved NiCd- og NiMH-batterier er ikke nødvendig.
- Afbrydelse af opladningen nedsætter ikke batteriets levetid.
- Opladningen kan påbegyndes til enhver tid uden at nedsætte levetiden. Der er ikke nogen hukommelseffekt som ved NiCd- og NiMH-batterier.
- Batterier skal i fuldt opladet tilstand så vidt muligt opbevares køligt og tørt. Opbevaring af batterier ved høje omgivende temperaturer (i et vindue) er u hensigtsmæssig, nedsætter batteriernes levetid og forøger battericellernes selvafladningshastighed.
- Hvis et batteri ikke længere kan lades helt op, har det mistet kapacitet som følge af alder eller overbelastning. Du kan fortsat arbejde med batteriet, men bør snarest udskifte det med et nyt.

8.4 Vedligeholdelse

ADVARSEL

Reparationer på de elektriske dele må kun udføres af en elektriker.

Kontrollér regelmæssigt alle udvendige dele på maskinen for beskadigelse og fejlfri funktion. Brug ikke maskinen, hvis der er beskadigede dele, eller hvis der er betjeningslementer, som ikke fungerer fejlfrit. Send maskinen til reparation hos Hilti-service.

8.5 Kontrol efter rengøring og vedligeholdelse

Efter rengørings- og vedligeholdelsesarbejde skal du kontrollere, at alt sikkerhedsudstyr sidder, som det skal, og fungerer fejlfrit.

9 Fejlsøgning

Fejl	Mulig årsag	Afhjælpning
Maskinen virker ikke.	Batteriet er ikke korrekt isat, eller batteriet er fladt.	Batteriet skal gå i indgreb med et tydeligt dobbeltklik, og batteriet skal lades op.
	Elektrisk fejl.	Tag batteriet ud af apparatet, og kontakt Hiltis kundeservice.
Maskine fungerer ikke, og 1 lysdiode blinker.	Batteriet er afladet.	Skift batteri, og sæt det flade batteri til genopladning.

Fejl	Mulig årsag	Afhjælpning
Maskine fungerer ikke, og 1 lysdiode blinker.	Batteriet er for varmt eller for koldt.	Bring batteriet op på den anbefalede arbejdstemperatur.
Maskinen fungerer ikke, og alle 4 lysdioder blinker.	Maskinen er kortvarigt overbelastet.	Slip afbryderen, og tryk den ind igen.
	Overophedningsbeskyttelse.	Lad maskinen køle af Rengør ventilationsåbninger.
Tænd-/slukknappen kan ikke trykkes ned eller er blokeret.	Sæt omskifteren til valg af højre-/venstreløb i midterposition (transportstilling).	Tryk omskifteren til valg af højre-/venstreløb til venstre eller højre.
Hastigheden falder pludselig kraftigt.	Batteriet er afladet.	Skift batteri, og sæt det flade batteri til genopladning.
Batteriet aflades hurtigere end normalt.	Batterieffekten er ikke optimal.	Diagnose hos Hiltis kundeservice eller udskiftning af batteri.
Batteriet går ikke i indgreb med et tydeligt dobbeltklik.	Der er snavs på batteriets indgrebstapper.	Rengør indgrebstapperne, og sæt batteriet i maskinen. Kontakt Hiltis kundeservice, hvis det ikke løser problemet.
Kraftig varmeudvikling i maskinen eller batteriet.	Elektrisk defekt.	Sluk omgående maskinen, tag batteriet ud, og kontakt Hiltis kundeservice.
	Maskinen er blevet overbelastet (anvendelsesgrænse overskredet).	Vælg det rigtige værktøj til formålet.

da

10 Bortskaffelse

FORSIGTIG

Hvis udstyret ikke bortskaffes korrekt, kan der ske følgende: Ved afbrænding af plastikdele kan der opstå giftig røggas, som man kan blive syg af at indånde. Ved beskadigelse eller kraftig opvarmning kan batteriet eksplodere og dermed forårsage forgiftning, forbrænding, ætsning eller forurening af miljøet. Ved en skødesløs bortskaffelse kan udstyret havne i hænderne på ukyndige personer, som ikke ved, hvordan udstyret anvendes korrekt. Dette kan medføre, at du eller andre kommer slemt til skade, eller at miljøet forurenes.

FORSIGTIG

Bortskaf omgående defekte batterier. Opbevar disse utilgængeligt for børn. Batterier må ikke adskilles eller brændes.

FORSIGTIG

Bortskaf batterierne efter gældende nationale regler, eller indlevér de brugte batterier til Hilti.



Størstedelen af de materialer, som anvendes ved fremstillingen af Hilti-produkter, kan genbruges. Materialerne skal sorteres, før de kan genbruges. I mange lande findes der allerede ordninger, hvor Hilti indsamler sine brugte maskiner til genbrug. Yderligere oplysninger får du hos Hilti-kundeservice eller din lokale Hilti-konsulent.



Kun for EU-lande

Elværktøj må ikke bortskaffes som almindeligt affald! I henhold til Rådets direktiv om bortskaffelse af elektriske og elektroniske produkter og gældende national lovgivning skal brugt elværktøj og batterier indsamles separat og bortskaffes på en måde, der skåner miljøet mest muligt.

da

11 Producentgaranti - Produkter

Hilti garanterer, at det leverede produkt er fri for materiale- og fabrikationsfejl. Garantien forudsætter, at produktet anvendes og håndteres samt vedligeholdes og rengøres i henhold til Hilti-brugsanvisningen, og at den tekniske enhed er bevaret, dvs. at der udelukkende er anvendt originale Hilti-forbrugsmaterialer, -tilbehørsdele og -reservedele til produktet.

Garantien omfatter reparation uden beregning eller udskiftning af defekte dele uden beregning i hele produktets levetid. Dele, der som følge af normalt slid trænger til at blive udskiftet eller repareret, er ikke omfattet af garantien.

Hilti afviser alle yderligere krav, medmindre den nationale lovgivning forbyder en sådan afvisning. Hilti påtager sig således intet ansvar for direkte eller indirekte skader, samtidige eller efterfølgende skader, tab eller omkostninger, som er opstået i forbindelse med eller på grund af anvendelsen af produktet, eller som er opstået på grund af produktets uegnethed til et bestemt formål. Stiltiende garantier for anvendelse eller egnethed til et bestemt formål udelukkes udtrykkeligt.

I forbindelse med reparation eller udskiftning af produktet eller dele deraf, forudsættes det, at produktet eller de pågældende dele indsendes til Hilti, umiddelbart efter at skaden er konstateret.

Nærværende garanti omhandler samtlige garantiforpligtelser fra Hiltis side og erstatter alle tidligere eller samtidige garantierklæringer, såvel skriftlige som mundtlige.

12 EF-overensstemmelseserklæring (original)

Betegnelse:	Batteridrevet slagnøgle
Typebetegnelse:	SIW 22T-A
Generation:	01
Produktionsår:	2013

Vi erklærer som eneansvarlige, at dette produkt er i overensstemmelse med følgende direktiver og standarder: EN 60745-1, EN 60745-2-2, 2006/42/EU, 2004/108/EU, 2006/66/EF, 2011/65/EU, EN ISO 12100.

Hilti Corporation, Feldkircherstrasse 100, FL-9494 Schaan

Paolo Luccini
Head of BA Quality and Process Management
Business Area Electric Tools & Accessories
06/2013

Jan Doongaji
Executive Vice President
Business Unit Power Tools & Accessories
06/2013

Tekniske dokumentation ved:

Hilti Entwicklungsgesellschaft mbH
Zulassung Elektrowerkzeuge
Hiltistrasse 6
86916 Kaufering
Deutschland

BRUKSANVISNING I ORIGINAL

SIW 22T-A Batteridrivnen slagmutterdragare

Läs noga igenom bruksanvisningen innan du använder verktyget. Förvara alltid bruksanvisningen tillsammans med verktyget. Lämna aldrig ifrån dig verktyget till andra personer utan att även ge dem bruksanvisningen.

SV

Innehållsförteckning

1	Allmän information	43
2	Beskrivning	44
3	Tillbehör	45
4	Teknisk information	46
5	Säkerhetsföreskrifter	47
6	Före start	50
7	Drift	51
8	Skötsel och underhåll	52
9	Felsökning	53
10	Avfallshantering	54
11	Tillverkarens garanti	54
12	Försäkran om EU-konformitet (original)	55

I Siffrorna hänvisar till olika bilder. Bilderna som hör till texten hittar du på det utvikbara omslaget. Ha alltid detta uppslaget vid genomgång av bruksanvisningen.

I texten i den här bruksanvisningen avser "verktyget" alltid batterislagmutterdragaren SIW 22T-A med isatt batteri.

Manöverfunktioner och verktygets delar **I**

- ① Chuck
- ② Strömbrytare (med elektronisk varvtalsreglering)
- ③ Omkopplare för höger- och vänstervarv med påkopplings-spärr
- ④ Utlösningknapp med extrafunktion för visning av laddningsstatus
- ⑤ Typskylt
- ⑥ Laddningsstatus- och felindikering (litiumjonbatteri)
- ⑦ Bälteshake (tillval)

1 Allmän information

1.1 Riskindikationer och deras betydelse

FARA

Anger överhängande risker som kan leda till svåra personskador eller dödsolycka.

VARNING

Anger en potentiell risksituation som skulle kunna leda till allvarlig personskada eller dödsolycka.

FÖRSIKTIGHET

Anger situationer som kan vara farliga och leda till skador på person eller utrustning.

OBSERVERA

Används för viktiga anmärkningar och annan praktisk information.

1.2 Förklaring av illustrationer och fler anvisningar

Varningssymboler



Varning: Allmän fara



Varning: El



Varning: frätande substans

Påbudssymboler



Använd skyddsglasögon



Använd skyddshjälm



Använd hörselskydd



Använd skyddshandskar

SV



Använd andningsskydd

Övriga symboler



Läs bruksanvisningen före användning



Återvinn avfallet



Volt



Likström

n_0

Nominellt varvtal, obelastat

/min

Varv per minut

Här hittar du identifikationsdetaljerna på utrustningen

Typbeteckningen finns på typskylten och serienumret på sidan av motorkåpan. Skriv in dessa uppgifter i bruksanvisningen så att du alltid kan ange dem om du vänder dig till vår representant eller serviceverkstad.

Typ:

Generation: 01

Serienr:

2 Beskrivning

2.1 Korrekt användning

SIW 22T-A är en handhållen batteridrivna slagmutterdragare. Den är avsedd att användas för att dra åt och lossa muttrar och gängbultar, infästningar och träskruvar.

Hälsovådliga material (som asbest) får inte bearbetas.

Observera även inhemska krav på arbetsskydd.

Använd inte batteriet som energikälla för andra ospecificerade belastningsobjekt.

Verktyget får inte ändras eller byggas om på något sätt.

För att undvika skador bör du endast använda originaltillbehör och verktyg från Hilti.

Verktyget får inte användas till uppgifter där ett exakt åtdragningsmoment krävs. Används verktyget till uppgifter där ett bestämt åtdragningsmoment krävs, eller där ett högsta moment inte får överskridas, finns det risk för överdragning och skador på skruven eller arbetsstycket. Till sådana uppgifter ska ett verktyg med tydlig inställning av åtdragningsmomentet användas.

Observera de råd beträffande användning, skötsel och underhåll som ges i bruksanvisningen.

Verktyget är avsett för yrkesmässig användning och får endast användas, underhållas och startas av auktoriserad, utbildad personal. Personalen måste vara särskilt informerad om de eventuella risker som kan uppstå. Verktyget och dess tillbehör kan utgöra en risk om de används på ett felaktigt sätt av utbildad personal eller inte används enligt föreskrifterna.

Arbetsområden kan vara: byggnadsplats, verkstad, renovering, ombyggnad och nybyggnation.

2.2 Chuck

½" ytterfyrcantschuck med kulspärr

¾" ytterfyrcantschuck med låspinne

2.3 Brytare

Strömbrytare med elektronisk varvtalsreglering
Omkopplare för höger- och vänstervarv med påkopplingspärr

2.4 I leveransen ingår i lådan:

- 1 Verktyg
- 1 Bruksanvisning
- 1 Hilti-verktygslåda

SV

2.5 I leveransen ingår i kartongen:

- 1 Verktyg
- 1 Bruksanvisning

2.6 Följande behövs också för drift av verktyget

Ett batteripaket B 22/2.6 Li-Ion eller B 22/3.3 Li-Ion med batteriladdare C4/36-90, C4/36-350, C 4/36, C 4/36-ACS eller C 4/36-ACS TPS.

2.7 Laddningsstatus och överhettningsindikering för litiumjonbatteriet

Lysdiod fast sken	Lysdiod blinkande	Laddningsstatus C
Lysdiod 1, 2, 3, 4	-	$C \geq 75 \%$
Lysdiod 1, 2, 3	-	$50 \% \leq C < 75 \%$
Lysdiod 1, 2	-	$25 \% \leq C < 50 \%$
Lysdiod 1	-	$10 \% \leq C < 25 \%$
-	Lysdiod 1	$C < 10 \%$
-	Lysdiod 1	Batteri överhettat

2.8 Överlastnings- och överhettningsindikering för verktyget

Verktyget är utrustat med elektroniskt överlastskydd och överhettningsskydd. Vid överlastning och överhettning stängs verktyget av automatiskt. Om strömbrytaren släpps och trycks ner igen kan det leda till aktiveringsfördröjning (avkylningsfas för verktyget).

Lysdiod fast sken	Lysdiod blinkande	Verktygsstatus
-	Lysdiod 1, 2, 3, 4	Verktyg överlastat eller överhettat

3 Tillbehör

Beteckning	Symbol
Hylsnyckelinsats	S-NSD och SV
Batteriladdare för litiumjonbatterier	C 4/36
Batteriladdare för litiumjonbatterier	C 4/36-ACS
Batteriladdare för litiumjonbatterier	C 4/36-ACS TPS
Batteriladdare för litiumjonbatterier	C 4/36-90
Batteriladdare för litiumjonbatterier	C 4/36-350
Batteri	B 22/3.3 Li-Ion
Batteri	B 22/2.6 Li-Ion
Batteri	B 22/1.6 Li-Ion
Bälteshake	

4 Teknisk information

Med reservation för tekniska ändringar!

Verktyg	SIW 22T-A 1/2"	SIW 22T-A 3/4"
Märkspänning (likström)	21,6 V	21,6 V
Vikt enligt EPTA-direktivet 01/2003	3 kg	3,2 kg
Mått (L x B x H)	232 mm x 94 mm x 258 mm	251 mm x 94 mm x 258 mm
Uppmätt tomgångsvarvtal	0...2 000/min	0...2 000/min
Slagtal	Max. 2 500 slag/min	Max. 2 500 slag/min
Vridmoment	450 Nm	450 Nm
Standardskruv	M12 - M24	M12 - M24
Extra hållfast skruv	M8 - M16	M8 - M16
Chuck	1/2" yttre fyrkant med kulspärr	3/4" yttre fyrkant med låspinne
Varvtalsstyrning	elektronisk med strömbrytare	elektronisk med strömbrytare
Höger-/vänstervarv	elektrisk omkopplare med omkopplingspärr vid användning	elektrisk omkopplare med omkopplingspärr vid användning
Skydd mot fullständig urladdning	ja	ja

OBSERVERA

Bullerinformation (uppmätt enligt EN 60745-1):

Verktyg	SIW 22T-A 1/2"	SIW 22T-A 3/4"
Karaktäristisk A-vägd ljudeffektnivå	108 dB (A)	111 dB (A)
Karaktäristisk A-vägd ljudtrycksnivå	97 dB (A)	100 dB (A)
Osäkerhet för nominell ljudnivå	3 dB (A)	3 dB (A)

OBSERVERA

Vibrationsnivån som anges i dessa instruktioner har uppmätts med en normerad mätmetod enligt EN 607 45 som kan användas för att jämföra olika elverktyg med varandra. Den kan också användas för att göra en preliminär uppskattning av vibrationsbelastningen. Den angivna vibrationsnivån gäller för elverktygets huvudsakliga användningsområden. När elverktyget utnyttjas inom andra användningsområden, med andra insatsverktyg eller otillräckligt underhåll kan en mätning av vibrationsnivån ge avvikande värden. Detta kan ge en tydlig ökning av vibrationsbelastningen för hela arbetsperioden. För att uppskattningen av vibrationsbelastningen ska bli exakt bör också de tider då verktyget är frånkopplat, eller då det är tillkopplat men inte används, räknas med. Detta kan ge en tydlig minskning av vibrationsbelastningen för hela arbetsperioden. Vidta även ytterligare säkerhetsåtgärder för att skydda operatören från skadlig påverkan av vibrationer, t.ex. underhåll av elverktyg och insatsverktyg, möjlighet att hålla händerna varma, välorganiserat arbetsförlopp.

Ytterligare information enligt EN 60745

Triaxiala vibrationsvärden (vibrationsvektorsumma)	uppmätta enligt EN 60745-2-2
Slagskruvar till fästelement med max. storlek för insatsverktyget 1/2", a _h	14,5 m/s ²
Slagskruvar till fästelement med max. storlek för insatsverktyget 3/4", a _h	14,2 m/s ²
Osäkerhet (K)	1,5 m/s ²

Batteri	B 22/3.3 Li-Ion	B 22/2.6 Li-Ion	B 22/1.6 Li-Ion
Märkspänning	21,6 V	21,6 V	21,6 V

Batteri	B 22/3.3 Li-ion	B 22/2.6 Li-ion	B 22/1.6 Li-ion
Batterikapacitet	3,3 Ah	2,6 Ah	1,6 Ah
Vikt	0,78 kg	0,78 kg	0,48 kg
Temperaturövervakning för laddning	ja	ja	ja
Temperaturövervakning för urladdning	ja	ja	ja
Celltyp	Litiumjon	Litiumjon	Litiumjon
Antal celler	12 st.	12 st.	6 st.
Effekt	71,28 Wh	56,16 Wh	34,56 Wh

SV

5 Säkerhetsföreskrifter

OBSERVERA

Säkerhetsföreskrifterna i följande kapitel innehåller alla allmänna säkerhetsföreskrifter för elverktyg enligt gällande normer. Därför kan det finnas anvisningar som inte är tillämpbara för alla verktyg.

5.1 Allmänna säkerhetsföreskrifter för elverktyg

a) VARNING

Läs alla säkerhetsföreskrifter och anvisningar. Att inte iaktta säkerhetsföreskrifter och anvisningar kan orsaka elstötar, brand och/eller allvarliga personskador. **Förvara alla säkerhetsföreskrifter och anvisningarna på ett säkert ställe för framtida användning.** Begreppet "elverktyg" som används i säkerhetsföreskrifterna avser nätdrivna elverktyg (med nätsladd) och batteridrivna elverktyg (sladdlösa).

5.1.1 Säker arbetsmiljö

- Håll arbetsområdet rent och väl belyst.** Oordning eller bristfällig belysning på arbetsplatsen kan leda till olyckor.
- Arbeta inte med elverktyget i omgivningar med explosionsrisk där det finns brännbara vätskor, gaser eller damm.** Elverktygen alstrar gnistor som kan antända dammet eller gaserna.
- Håll barn och obehöriga personer på betryggande avstånd under arbetet med elverktyget.** Om du störs av obehöriga personer kan du förlora kontrollen över elverktyget.

5.1.2 Elektrisk säkerhet

- Elverktygets elkontakt måste passa till vägguttaget. Elkontakten får absolut inte ändras. Använd inte adapterkontakter tillsammans med skyddsjordade elverktyg.** Originalkontakter och lämpliga vägguttag minskar risken för elstötar.
- Undvik kroppskontakt med jordade ytor som rör, värmelement, spisar och kylskåp.** Det finns en större risk för elstötar om din kropp är jordad.
- Skydda elverktyget från regn och väta.** Tränger vatten in i ett elverktyg ökar risken för elstötar.
- Använd inte kabeln på ett felaktigt sätt, t.ex. genom att bära eller hänga upp elverktyget i den eller dra i den för att lossa elkontakten ur vägguttaget. Håll nätsladden på avstånd från värmekällor, olja, skarpa kanter och rörliga delar.** Skadade eller tilltrasslade kablar ökar risken för elstötar.
- När du arbetar med ett elverktyg utomhus, använd endast en förlängningskabel som är avsedd för utomhusbruk.** Om en lämplig förlängningskabel för utomhusbruk används minskar risken för elstötar.
- Om det är alldeles nödvändigt att använda elverktyget i fuktig miljö ska du använda en jordfelsbrytare.** Användning av jordfelsbrytare minskar risken för elstötar.

5.1.3 Personsäkerhet

- Var uppmärksam, ha uppsikt över vad du gör och använd elverktyget med förnuft. Använd inte elverktyget när du är trött eller om du är påverkad av droger, alkohol eller mediciner.** Under användning av elverktyg kan även en kort stunds bristande uppmärksamhet leda till allvarliga personskador.

- b) **Bär alltid personlig skyddsutrustning och skyddsglasögon.** Den personliga skyddsutrustningen, som t.ex. dammskyddsmask, halkfria säkerhetsskor, hjälm eller hörselskydd – med beaktande av elverktygets modell och driftsätt – reducerar risken för kroppsskada.
- c) **Undvik oavsiktlig igångsättning. Se till att elverktyget är fränkopplat innan du ansluter det till nätströmmen och/eller batteriet, tar upp det eller bär det.** Om du bär elverktyget med fingret på strömbrytaren eller ansluter ett tillkopplat verktyg till nätströmmen kan en olycka inträffa.
- d) **Ta bort alla inställningsverktyg och skruvnycklar innan du kopplar in elverktyget.** Ett verktyg eller en nyckel i en roterande komponent kan medföra kroppsskada.
- e) **Undvik en onormal kroppshållning. Se till att du står stadigt och håller balansen.** Då kan du lättare kontrollera elverktyget i oväntade situationer.
- f) **Bär lämpliga kläder. Bär inte löst hängande kläder eller smycken. Håll håret, kläderna och handskarna på avstånd från rörliga delar.** Löst hängande kläder, smycken och långt hår kan dras in av roterande delar.
- g) **När du använder elverktyg med anordningar för uppsugning och uppsamling av damm, bör du kontrollera att dessa anordningar är rätt monterade och används korrekt.** Används en dammsugare kan faror som orsakas av damm minskas.

5.1.4 Användning och hantering av elverktyget

- a) **Överbelasta inte verktyget. Använd elverktyg som är avsedda för det aktuella arbetet.** Med ett lämpligt elverktyg kan du arbeta bättre och säkrare inom angivet effektområde.
- b) **Ett elverktyg med defekt strömbrytare får inte längre användas.** Ett elverktyg som inte kan kopplas in eller ur är farligt och måste repareras.
- c) **Dra ut elkontakten ur uttaget och/eller ta ut batteriet innan du gör inställningar, byter tillbehör eller lägger ifrån dig verktyget.** Denna skyddsåtgärd förhindrar oavsiktlig inkoppling av elverktyget.
- d) **Förvara elverktygen oåtkomliga för barn. Verktyget får inte användas av personer som inte är förtrogna med dess användning eller inte har läst denna anvisning.** Elverktyg är farliga om de används av oerfarna personer.
- e) **Underhåll elverktygen noggrant. Kontrollera att rörliga komponenter fungerar felfritt och inte kärvar och att komponenter inte har brustit eller skadats så att elverktygets funktion påverkas negativt. Se till att skadade delar repareras innan verktyget används igen.** Många olyckor orsakas av dåligt skötta elverktyg.
- f) **Håll insatsverktygen skarpa och rena.** Omsorgsfullt skötta insatsverktyg med skarpa egggar kommer inte så lätt i kläm och går lättare att styra.
- g) **Använd elverktyg, tillbehör, insatsverktyg osv. enligt dessa anvisningar. Ta hänsyn till arbetsvillkoren och arbetsmomenten.** Används elverktyget på icke ändamålsenligt sätt kan farliga situationer uppstå.

5.1.5 Användning och hantering av batteriverktyg

- a) **Ladda batterierna endast i de laddare som tillverkaren har rekommenderat.** Brandrisk kan uppstå om en laddare som är avsedd för en viss typ av batterier används för andra batterityper.
- b) **Använd endast batterier som är avsedda för aktuellt elverktyg.** Används andra batterier finns det risk för personskada och brand.
- c) **Håll gem, mynt, nycklar, spikar, skruvar och andra små metallföremål på avstånd från reservbatterier för att undvika kortslutning av kontakterna.** En kortslutning av batteriets kontakter kan leda till brännskador eller brand.
- d) **Om batteriet används på fel sätt kan vätska rinna ur batteriet. Undvik kontakt med vätskan. Vid oavsiktlig kontakt, spola med vatten. Om vätska kommer i kontakt med ögonen, uppsök dessutom läkare.** Batterivätskan kan orsaka hudirritation eller brännskada.

5.1.6 Service

- a) **Låt endast kvalificerad fackpersonal reparera elverktyget och använd då endast originalreservdelar.** Detta garanterar att elverktygets säkerhet upprätthålls.

5.2 Extra säkerhetsföreskrifter

5.2.1 Personsäkerhet

- a) **Håll verktyget i det isolerade handtaget när du utför arbeten där skruven kan stöta på dolda elledningar.** Vid kontakt med en spänningssatt ledning kan metalldelar på verktyget spänningssättas och ge dig en stöt.
- b) **Bär hörselskydd.** Buller kan leda till hörselskador.
- c) **Om verktyget används utan dammsugare måste du använda ett lätt andningskydd när du arbetar med dammalstrande material.**
- d) **Gör pauser i arbetet och utför avslappnings- och fingerövningar som ökar blodgenomströmningen i fingrarna.**
- e) **Rör inte vid roterande delar. Koppla inte in verktyget förrän det är i arbetsområdet.** Beröring av roterande delar, särskilt roterande bits, kan leda till skador.
- f) **Aktivera inkopplingsspärren (R/L-omkopplaren i mittläge) vid förvaring och transport av verktyget i dess väska.**
- g) **Barn ska inte leka med apparaten.**
- h) **Apparaten får bara användas av personer som kan använda den på ett säkert sätt.**
- i) Damm från material som blyhaltig färg, vissa träslag, mineraler och metall kan vara hälsofarliga. Beröring eller inandning av dammet kan orsaka allergiska reaktioner och/eller sjukdomar i andningsvägarna hos användaren eller hos personer som befinner sig i närheten. Vissa slags damm, från till exempel ek eller bok, anses vara cancerframkallande, särskilt i kombination med tillsatsämnen för behandling av trä (kromat, träskyddsmedel). Asbesthaltigt material får bara bearbetas av särskilt utbildad personal. **Använd om möjligt en dammsugare. För att dammsugningen ska bli effektiv är det bäst att använda en mobil dammsugare för trä och/eller mineraldamm, som rekommenderas av Hilti och som är anpassad för detta elverktyg. Se till att det finns bra ventilation på arbetsplatsen. Vi rekommenderar användning av andningskyddsmask med filterklass P2. Följ de gällande landsspecifika föreskrifterna för de material som ska bearbetas.**

SV

5.2.2 Omsorgsfull hantering och användning av elverktyg

- a) **Spänn fast materialet ordentligt. Sätt fast materialet med en spännanordning eller ett skruvstäd.** På så vis hålls arbetsstycket fast bättre än för hand och du har dessutom båda händerna fria för att hantera verktyget.
- b) **Se till att insatsverktygen passar i verktyget och sitter fast ordentligt i chucken.**
- c) **Kontrollera att skruvarna och arbetsstycket klarar det åtdragningsmoment som verktyget ger.** Ett för högt åtdragningsmoment skapar farliga situationer genom att överbelasta, böja eller skada skruvarna eller arbetsstycket.

5.2.3 Omsorgsfull hantering och användning av batteri-drivna verktyg

- a) **Utsätt inte batterierna för höga temperaturer eller öppen eld.** Explosionsrisk föreligger
- b) **Batterierna får inte demonteras, klämmas, hettas upp över 80 °C eller brännas.** Brand-, explosions- och skaderisk föreligger.
- c) **Använd inte batterier som inte är avsedda för det aktuella verktyget.** Vid användning av andra batterier eller om batteriet används för andra ändamål finns risk för brand och explosion.
- d) **Se de särskilda anvisningarna för transport, lagring och användning av litiumjonbatterier.**
- e) **Skadade batterier (t.ex. med repor, skadade eller böjda delar, intryckta och/eller utdragna kontakter) får varken laddas eller användas.**
- f) Om batteriet är så hett att du inte kan ta i det kan det vara defekt. **Ställ batteriet på en icke eldfängd plats på betryggande avstånd från eldfängda material, där du kan hålla det under uppsikt medan det svalnar. Kontakta Hilti-service när batteriet har svalnat.**

5.2.4 Elektrisk säkerhet



Kontrollera arbetsområdet i förväg, om där finns dolda elkablar, gas- och vattenledningar, med t.ex. en metalldetektor. Verktygets yttre metalldelar kan bli spänningsförande om du t.ex. råkar skada en nätkabel. Detta utgör en allvarlig risk för elstötar.

SV

5.2.5 Arbetsplats

- Se till att arbetsplatsen är ordentligt upplyst.**
- Se till att det finns bra ventilation på arbetsplatsen.** Dåligt ventilerade arbetsplatser kan framkalla sjukdomar på grund av för mycket damm.

5.2.6 Personlig skyddsutrustning



Användaren och personer som befinner sig i närheten måste under användningen bära skyddsglasögon, skyddshjälm, hörselskydd, skyddshandskar och lätt andningsskydd.

6 Före start



6.1 Noggrann hantering av batteri

OBSERVERA

Vid låga temperaturer sänks batterieffekten. Hantera inte batteriet förrän verktyget har stannat upp. Byt till det andra batteriet i tid. Ladda batteriet direkt inför nästa byte.

Förvara batteriet på ett svalt och torrt ställe. Förvara aldrig batteriet utsatt för solljus, nära ett element eller bakom glasskivor. När batteriet har tagit slut måste det avfallshanteras miljövänligt och säkert.

6.2 Ladda batteriet.



FÖRSIKTIGHET

Använd endast därför avsedda Hilti-batteriladdare som visas under "Verktyg, tillbehör".

6.2.1 Första laddning av ett nytt batteri

Ladda batterierna helt före första start.

6.2.2 Laddning av ett använt batteri

Se till att yttersidorna på batteriet är rena och torra innan du för in batteriet i batteriladdaren.

Information om hur laddningen går till finns i laddarens bruksanvisning.

Litiumjonbatterier kan användas när som helst, även om de endast laddats delvis. Laddningsförloppet indikeras med lysdioder (se batteriladdarens bruksanvisning).

6.3 Sätt in batteriet

FÖRSIKTIGHET

Kontrollera innan du sätter in batteriet att verktyget är frånkopplat och att inkopplingslåset är aktiverat (omkopplaren för höger- och vänsterverv i mittenläge). Använd endast de Hilti-batterier som är godkända för verktyget.

FÖRSIKTIGHET

Försäkra dig om att såväl batterikontakterna som kontakterna i laddaren är rena och fria från främmande partiklar innan du sätter in batteriet.

SV

1. Skjut in batteriet bakifrån i verktyget tills du hör att det hakar fast med ett dubbelklick.
2. **FÖRSIKTIGHET Om batteriet inte är rätt isatt kan det falla ut under arbetet.**

FÖRSIKTIGHET Ett batteri som faller ner kan skada dig och andra.

Kontrollera innan arbetet påbörjas att batteriet sitter ordentligt i verktyget.

6.4 Ta bort batteriet 2

1. Tryck på båda låsknapparna.
2. Dra ut batteriet bakifrån ur verktyget.

6.5 Transport och förvaring av batterier

Flytta batteriet från förreglingspositionen (arbetspositionen) till första spärrpositionen (transportläget).

När du tar bort ett batteri från verktyget för transport eller förvaring, se då till att batteriets kontakter inte kortsluts. Ta bort lösa metall-delar som t.ex. skruv, spik, klämmor, lösa skruvbits, ledningar eller metallspånor från väskan, verktygslådan eller transportväskan och se till att sådana föremål inte kommer i kontakt med batterierna.

Vid transport av batterier (med bil, järnväg, båt eller flyg) ska gällande inhemska och internationella transportföreskrifter följas.

7 Drift



7.1 Byte av bitshållare

OBSERVERA

För fastsättning av insatsverktyg är verktyget utrustat med en 1/2" ytterfyrkantschuck med kulspärr eller en 3/4" ytterfyrkantschuck med låspinne.

7.1.1 Verktygsbyte 1/2" yttre fyrkant med kulspärr

OBSERVERA

Rikta in sidohålet på hylsan mot halvklotet på chucken, för att säkra insatsverktyget så att det inte lossnar.

7.1.1.1 Demontera hylsa (verktyg) 3

1. Ställ omkopplaren för höger- och vänsterverv i mittenläge eller ta ut batteriet ur verktyget.
2. Rikta in sidohålet i hylsan mot halvklotet på chucken.
3. Tryck hylsan på chucken tills den fäster.

7.1.1.2 Demontera hylsa (verktyg) 4

1. Ställ omkopplaren för höger- och vänsterverv i mittenläge eller ta ut batteriet ur verktyget.
2. Dra bort hylsan från chucken.

7.1.2 Verktygsbyte 3/4" yttre fyrkant med låspinne

7.1.2.1 Demontera hylsa (verktyg) 5

1. Ställ omkopplaren för höger- och vänsterverv i mittenläge eller ta ut batteriet ur verktyget.
2. Ta bort O-ringen från spåret i hylsan.
3. Dra ut låspinnen.
4. Sätt hylsan på verktygets drivfyrkant.

OBSERVERA Kontrollera att låspinnen passar in i drivfyrkanten och hylsan.

5. Återmontera först låspinnen och sedan O-ringen på hylsan.

7.1.2.2 Demontera hylsa (verktyg) 6

1. Ställ omkopplaren för höger- och vänstervarv i mittenläge eller ta ut batteriet ur verktyget.
2. Ta bort O-ringen från spåret i hylsan.
3. Dra ut säkringsstiftet.
4. Ta bort hylsan från verktygets drivfyrkant.
5. Återmontera först låspinnen och sedan O-ringen på hylsan.

SV

7.2 Ställa in rotationsriktning 7

OBSERVERA

Med omkopplaren för rotationsriktning kan du ändra verktygsspindelns rotation. En spärr förhindrar att vridriktningen ändras medan motorn går. Strömbrytaren är spärrad i mittläget. Omkopplaren trycks åt höger (i verktygets arbetsriktning) = högergång. Omkopplaren trycks åt vänster (i verktygets arbetsriktning) = vänstergång.

7.3 Koppla till/från

Genom att trycka långsamt på till/från-knappen kan du ändra varvtalet steglöst mellan minimalt och maximalt varvtal.

7.4 Skruvdragning

VARNING

Kontrollera att skruvarna och arbetsstycket klarar det åtdragningsmoment som verktyget ger. Ett för högt åtdragningsmoment skapar farliga situationer genom att överbelasta, böja eller skada skruvarna eller arbetsstycket.

Välj önskad rotationsriktning med omkopplaren för höger- och vänstervarv.

7.5 Avläsning av laddningsstatus för litiumjonbatteri 8

OBSERVERA

Det går inte att läsa av laddningsstatus medan arbete pågår. Blinkar lysdiod 1 indikerar det endast att batteriet är helt urladdat eller för varmt (temperatur >80 °C). I så fall måste batteriet sättas in i batteriladdaren. Om alla fyra lysdioderna blinkar betyder det att verktyget är överlastat eller överhettat.

Litiumjonbatteriet har en indikator för laddningsstatus. Medan laddningen pågår visas batteriets laddningsstatus (se kapitlet "Litiumjonbatteriets laddningsstatus"). I viloläge visas laddningsstatus med de fyra lysdioderna under tre sekunder när du trycker på en låsknapp på batteriet.

7.6 Bälteshake 9

FÖRSIKTIGHET

Innan du startar ett arbete ska du kontrollera att bälteshaken är korrekt fastsatt.

Du kan fästa verktyget intill kroppen på bältet med bälteshaken. Dessutom går det att sätta bälteshaken på andra verktygssidan, med tanke på vänsterhänta.

1. Dra ut batteriet ur verktyget.
2. Sätt in anslutningsplattan i det därför avsedda uttaget.
3. Fäst bälteshaken med de två skruvarna.

8 Skötsel och underhåll

FÖRSIKTIGHET

Innan du påbörjar rengöringen bör du ta bort batteriet för att undvika att verktyget startas av misstag!

8.1 Skötsel av insatsverktyg

Ta bort smuts som sitter fast och skydda insatsverktygens ytor mot rost genom att gnida in dem då och då med en oljefuktad putsduk.

8.2 Underhåll av verktyget

FÖRSIKTIGHET

Håll verktyget, särskilt greppytorna, rent och fritt från olja och fett. Använd inga silikonhaltiga skyddsmedel.

Verktygets ytterhölje är tillverkat av slagtålig plast. Handtaget är av elastomer.

Använd aldrig verktyget med tilltäppta ventilationsspringor! Rengör ventilationsspringorna försiktigt med en torr borste. Se till att främmande föremål inte kommer in i verktyget. Rengör verktygets utsida regelbundet med en lätt fuktad putstrasa. Använd ej högtrycksspruta, ångstråle eller rinnande vatten till rengöringen! Verktygets elsäkerhet kan riskeras.

8.3 Skötsel av litiumjonbatteri

SV

Se till att batterierna inte utsätts för fukt.

Ladda batterierna helt före första start.

Avbryt urladdningen så fort du märker att verktygets effekt har sjunkit så varar batterierna längre.

OBSERVERA

Vid ytterligare drift av verktyget avslutas urladdningen automatiskt och lysdiod 1 på batteriet blinkar innan det kan leda till skador på cellen.

Ladda batterierna med godkända Hilti-laddningsapparater för litiumjonbatterier.

OBSERVERA

- Det krävs ingen rekonditionering för laddningsbara batterier, som för NiCd- eller NiMH-batterier.
- Ett avbrott i laddningen påverkar inte batteriets livslängd.
- Du kan starta laddningen när som helst utan att livslängden påverkas. Det finns ingen minneseffekt, som med NiCd- eller NiMH-batterier.
- Bästa förvaring av helt laddade batterier är på ett svalt och torrt ställe. Förvaring av batterier vid höga temperaturer (t.ex. i ett solbelyst fönster) är inte lämpligt. Det påverkar batteriets livslängd och gör att cellerna laddas ur.
- Om det inte går att ladda batteriet helt har det förlorat kapacitet genom att det åldrats eller överutnyttjats. Det går att arbeta med batteriet men du bör byta ut det mot ett nytt i god tid.

8.4 Underhåll

VARNING

Reparationer på de elektriska delarna får endast utföras av behörig fackman.

Kontrollera regelbundet verktygets alla yttre delar med avseende på skador och alla manöverfunktioner med avseende på god funktion. Använd inte verktyget om delar är skadade eller manöverfunktioner inte fungerar väl. Låt Hilti-service reparera verktyget.

8.5 Kontroll efter service- och underhållsarbeten

Efter service- och underhållsarbeten ska du kontrollera att alla skyddsanordningar har satts på och fungerar väl.

9 Felsökning

Fel	Möjlig orsak	Lösning
Verktyget fungerar inte.	Batteriet är inte ordentligt isatt eller också har batteriet laddats ur.	Batteriet måste haka i med ett "dubbelklick" resp. batteriet måste laddas.
	Elektriskt fel.	Ta ut batteriet ur verktyget och kontakta Hilti-service.
Verktyget fungerar inte och lysdiod 1 blinkar.	Urladdning av batteriet.	Byt batteri och ladda tomt batteri.
	Batteriet för varmt eller för kallt.	Låt batteriet få rekommenderad arbetstemperatur.
Enheten fungerar inte och alla fyra lamporna blinkar.	Verktyget har överlastats under en kort period.	Släpp strömbrytaren och tryck på den igen.
	Överhettningsskydd.	Låt verktyget svalna. Rengör ventilations-springorna.

Fel	Möjlig orsak	Lösning
Strömbrytaren kan inte tryckas ner resp. är spärrad.	Omkopplare för höger- och vänstervarv i mittenläge (transportläge)	Tryck omkopplaren för höger- och vänstervarv åt vänster eller åt höger.
Varvtalet sjunker plötsligt.	Urladdning av batteriet.	Byt batteri och ladda tomt batteri.
Batteriet laddas ur fortare än vanligt.	Batteristatus är inte normal.	Diagnos hos Hilti-service eller byt ut batteriet.
Batteriet hakar inte i med ett hörbart "dubbelklick".	Batteriets låsmekanism är smutsig.	Rengör låsmekanismen och haka fast batteriet. Kontakta Hilti-service om problemet kvarstår.
Verktyget eller batteriet har överhettats.	Elektriskt fel.	Koppla genast från verktyget, ta ut batteriet och kontakta Hilti-service.
	Verktyget är överbelastat (användningsgränsen har överskridits).	Välj rätt verktyg för respektive tillämpning.

SV

10 Avfallshantering

FÖRSIKTIGHET

Om utrustningen inte avfallshandteras på rätt sätt kan det få följande konsekvenser: Vid förbränning av plast uppstår giftiga och hälsovådliga gaser. Om batterierna skadas eller utsätts för stark hetta kan de explodera och därigenom orsaka förgiftning, bränder, frätskador eller ha annan negativ inverkan på miljön. Om du underlåter att avfallshandtera utrustningen korrekt kan obehöriga personer få tillgång till den och använda den på ett felaktigt sätt. Därigenom kan både du och andra skadas och miljön utsättas för onödiga påfrestningar.

FÖRSIKTIGHET

Defekta batterier måste kasseras omedelbart. Håll dem utom räckhåll för barn. Batterierna får inte demonteras eller brännas.

FÖRSIKTIGHET

Källsortera batterierna enligt nationella föreskrifter eller lämna tillbaka uttjänta batterier till Hilti.



Hiltis verktyg är till stor del tillverkade av återvinningsbart material. En förutsättning för återvinning är att materialet separeras på rätt sätt. I många länder tar Hilti emot sina uttjänta produkter för återvinning. Fråga Hiltis kundservice eller din Hilti-säljare.



Gäller endast EU-länder

Elektriska verktyg får inte kastas i hushållssoporna! Enligt EG-direktivet som avser äldre elektrisk och elektronisk utrustning och dess tillämpning enligt nationell lagstiftning ska uttjänta elektriska verktyg och batterier sorteras separat och lämnas till miljövänlig återvinning.

11 Tillverkarens garanti

Hilti garanterar att produkten inte har några material- eller tillverkningsfel. Garantin gäller under förutsättning att produkten används och hanteras, sköts och rengörs enligt Hiltis bruksanvisning samt att den tekniska enheten bevarats intakt, d.v.s. att endast originaldelar, tillbehör och reservdelar från Hilti har använts.

Garantin omfattar kostnadsfri reparation eller kostnadsfritt utbyte av felaktiga delar under hela produktens livslängd. Delar som normalt slits omfattas inte av garantin.

Ytterligare anspråk är uteslutna, såvida inte annat strikt föreskrivs i nationella bestämmelser. Framför allt kan Hilti inte hållas ansvarigt för direkta eller indirekta tillfälliga skador eller

följdsador, förluster eller kostnader i samband med användningen eller p.g.a. att produkten inte kan användas för en viss uppgift. Indirekt garanti avseende användning eller lämplighet för något bestämt ändamål är uttryckligen utesluten.

När felet fastställts ska produkten tillsammans med den aktuella delen skickas för reparation och/eller utbyte till Hiltis serviceverkstad.

Denna garanti omfattar Hiltis samtliga skyldigheter och ersätter alla tidigare eller samtida uttalanden, skriftliga eller muntliga överenskommelser vad gäller garanti.

SV

12 Försäkran om EU-konformitet (original)

Beteckning:	Batteridrivna slagmutterdragare
Typbeteckning:	SIW 22T-A
Generation:	01
Konstruktionsår:	2013

Vi försäkrar under eget ansvar att produkten stämmer överens med följande riktlinjer och normer: EN 60745-1, EN 60745-2-2, 2006/42/EG, 2004/108/EG, 2006/66/EG, 2011/65/EU, EN ISO 12100.

Hilti Corporation, Feldkircherstrasse 100, FL-9494 Schaan

Paolo Luccini
Head of BA Quality and Process Management
Business Area Electric Tools & Accessories
06/2013

Jan Doongaji
Executive Vice President
Business Unit Power Tools & Accessories
06/2013

Teknisk dokumentation vid:

Hilti Entwicklungsgesellschaft mbH
Zulassung Elektrowerkzeuge
Hiltistrasse 6
86916 Kaufering
Deutschland

ORIGINAL BRUKSANVISNING

SIW 22T-A Batteridrevet slag- muttertrekker

Det er viktig at bruksanvisningen leses før maskinen brukes for første gang.

Oppbevar alltid bruksanvisningen sammen med maskinen.

Pass på at bruksanvisningen ligger sammen med maskinen når den overlates til andre personer.

no

Innholdsfortegnelse

1	Generell informasjon	56
2	Beskrivelse	57
3	Tilbehør	58
4	Tekniske data	58
5	Sikkerhetsregler	60
6	Ta maskinen i bruk	63
7	Betjening	64
8	Service og vedlikehold	65
9	Feilsøking	66
10	Avhending	67
11	Produsentgaranti for maskiner	67
12	EF-samsvarserklæring (original)	68

1 Disse numrene refererer til tilhørende bilde. Bildene finnes på omslaget. La disse sidene være framme ved gjennomgåelse av bruksanvisningen.

I denne bruksanvisningen betegner "maskinen" alltid den batteridrevne slagmuttertrekkeren SIW 22T-A med påsatt batteri.

Betjeningselementer og maskindeler **1**

- ① Chuck
- ② Kontrollbryter (med elektronisk turtallstyring)
- ③ Høyre-/venstreomkoblingsbryter med innkoblingssperre
- ④ Utløserknapper med tilleggfunksjon for aktivering av ladeindikator
- ⑤ Typeskilt
- ⑥ Lade- og feilindikator (li-ion-batteri)
- ⑦ Beltekrok (valgfri)

1 Generell informasjon

1.1 Indikasjoner og deres betydning

FARE

Dette ordet brukes om en umiddelbart truende fare som kan føre til alvorlige personskader eller død.

ADVARSEL

Dette ordet brukes for å rette fokus på potensielt farlige situasjoner, som kan føre til alvorlige personskader eller død.

FORSIKTIG

Dette ordet brukes for å rette fokus på potensielt farlige situasjoner som kan føre til mindre personskader eller skader på utstyret eller annen eiendom.

INFORMASJON

For bruksanvisninger og andre nyttige informasjoner.

1.2 Forklaring på piktogrammer og ytterligere opplysninger.

Varselskilt



Generell advarsel



Advarsel for elektrisitet



Advarsel for syre

Verneutstyr



Bruk vernebriller



Bruk hjelm



Bruk hørselsvern



Bruk arbeidshansker



Bruk støvmaske

no

Symboler



Les bruksanvisningen før bruk



Avfall bør resirkuleres



Volt



Likestrøm

n_0

Nominelt tomgangsturtall

/min

Omdreininger per minutt

Lokalisering av identifikasjonsdata på maskinen

Typebetegnelsen er på typeskiltet og serienummeret finnes på siden på motorhuset. Skriv ned disse dataene i bruksanvisningen og referer alltid til dem ved henvendelse til din salgsrepresentant eller til Motek senter.

Type:

Generasjon: 01

Serienummer:

2 Beskrivelse

2.1 Forskriftsmessig bruk

SIW 22T-A er en håndholdt batteridrevet slagmuttertrekker. Den er egnet for tiltrekking og løsning av muttere og bolter, plugger og treskruer.

Det må ikke arbeides med helsefarlige materialer (for eksempel asbest).

Overhold også dine nasjonale arbeidsmiljøforskrifter.

Batteriene skal ikke brukes som energikilder for andre, ikke spesifiserte, forbrukere.

Modifisering eller endringer på maskinen er ikke tillatt.

For å unngå risiko for skade, bruk kun originalt Hilti-tilbehør og -verktøy.

Maskinen skal ikke brukes til bruksområder som krever et nøyaktig/spesifisert dreiemoment. Ved bruk av maskinen til bruksområder som krever et spesifisert dreiemoment eller der det maksimale dreiemomentet ikke skal overskrides, er det fare for hard tiltrekking, skade på skrue eller arbeidsemnet. Til slik bruk bør det brukes en maskin med et definert, justerbart dreiemoment.

Følg informasjonen i bruksanvisningen ang. bruk, stell og vedlikehold.

Maskinen er laget for profesjonell bruk og får kun brukes, vedlikeholdes og repareres av kyndig personell. Personalet må informeres om spesielle farer som kan oppstå. Maskinen og tilleggsutstyret kan utgjøre en fare hvis det betjenes av ukvalifisert personell eller det benyttes feil.

Maskinen er beregnet for bruk på: Byggeplasser, verksteder, til renovering, ombygging og konstruksjonsarbeid.

2.2 Chuck

1/2" chuck, utvendig firkant med halvkule

3/4" chuck, utvendig firkant med boltelås

2.3 Brytere

Kontrollbryter med elektronisk turtallstyring
Høyre-/venstreomkoblingsbryter med innkoblingsperre

2.4 Deler som følger med i kofferten:

- 1 Maskin
- 1 Bruksanvisning
- 1 Hilti-koffert

2.5 Deler som følger med i kartongemballasjen:

- 1 Maskin
- 1 Bruksanvisning

2.6 Følgende er også nødvendig for drift av maskinen

Et batteri B 22/2.6 Li-Ion eller B 22/3.3 Li-Ion med lader C436-90 eller C436-350 eller C 4/36 eller C 4/36-ACS eller C 4/36-ACS TPS.

2.7 Lade- og overopphetingsindikator for li-ion batteriet

LED fast lys	LED blinkende	Ladenivå C
LED 1, 2, 3, 4	-	$C \geq 75 \%$
LED 1, 2, 3	-	$50 \% \leq C < 75 \%$
LED 1, 2	-	$25 \% \leq C < 50 \%$
LED 1	-	$10 \% \leq C < 25 \%$
-	LED 1	$C < 10 \%$
-	LED 1	Batteri overopphetet

2.8 Maskinens overlast- og overopphetingsindikator

Maskinen er utstyrt med en elektronisk overlast- og overopphetingsbeskyttelse. Ved overlast og overoppheting slås maskinen av automatisk. Hvis kontrollbryteren slippes og trykkes igjen, kan dette føre til innkoblingsforsinkelser (maskinens avkjølingsfaser).

LED fast lys	LED blinkende	Apparattilstand
-	LED 1, 2, 3, 4	Apparatet er overlastet eller overopphetet

3 Tilbehør

Betegnelse	Forkortet kode
Fast pipe	S-NSD og SV
Ladeapparat til Li-Ion-batterier	C 4/36
Ladeapparat til Li-Ion-batterier	C 4/36-ACS
Ladeapparat til Li-Ion-batterier	C 4/36-ACS TPS
Lader til Li-Ion-batterier	C 4/36-90
Lader til Li-Ion-batterier	C 4/36-350
Batteri	B 22/3.3 Li-Ion
Batteri	B 22/2.6 Li-Ion
Batteri	B 22/1.6 Li-Ion
Beltekrok	

4 Tekniske data

Med forbehold om løpende tekniske forandringer!

Maskin	SIW 22T-A 1/2"	SIW 22T-A 3/4"
Merkespenning (likespenning)	21,6 V	21,6 V
Vekt i henhold til EPTA-prosedyre 01/2003	3 kg	3,2 kg
Mål (L x B x H)	232 mm x 94 mm x 258 mm	251 mm x 94 mm x 258 mm

Maskin	SIW 22T-A ½"	SIW 22T-A ¾"
Nominell tomgangsomdreining	0...2 000/min	0...2 000/min
Slagfall	Maks. 2 500 slag/min	Maks. 2 500 slag/min
Dreiemoment	450 Nm	450 Nm
Standardskrue	M12 - M24	M12 - M24
Høyfast skrue	M8 - M16	M8 - M16
Chuck	½" utvendig firkant med halvkule	¾" utvendig firkant med låsebolt
Turtallsstyring	Elektronisk eller med kontrollbryter	Elektronisk eller med kontrollbryter
Høyre-/venstregang	Elektr. omkobling med omkoblingsperre under drift	Elektr. omkobling med omkoblingsperre under drift
Dyputladingsbeskyttelse	ja	ja

no

INFORMASJON

Støyinformasjon (iht. EN 60745-1):

Maskin	SIW 22T-A ½"	SIW 22T-A ¾"
Typisk A-lydeffektnivå	108 dB (A)	111 dB (A)
Typisk A-vurdert avgitt lydtrykk	97 dB (A)	100 dB (A)
Usikkerhet for de nevnte støynivåene	3 dB (A)	3 dB (A)

INFORMASJON

Vibrasjonsnivået som er angitt i denne bruksanvisningen, er målt i samsvar med den normerte målemetoden i EN 60745 og kan brukes til sammenligning av elektroverktøy. Det egner seg også for en foreløpig vurdering av vibrasjonsbelastningen. Det angitte vibrasjonsnivået representerer den primære bruken av elektroverktøyet. Dersom elektroverktøyet brukes til andre bruksområder, med avvikende verktøy eller med utilstrekkelig vedlikehold, kan vibrasjonsnivået imidlertid avvike. Dette kan øke vibrasjonsbelastningen betraktelig gjennom hele arbeidsperioden. For en nøyaktig vurdering av vibrasjonsbelastningen må man også ta hensyn til tidsrommene da maskinen er slått av eller er i gang, men ikke i drift. Dette kan redusere vibrasjonsbelastningen betraktelig gjennom hele arbeidsperioden. Fastsett ekstra sikkerhetstiltak for å beskytte operatøren mot effekten av vibrasjonene, for eksempel: Vedlikehold av elektroverktøy og innsatsverktøy, holde hendene varme, organisering av arbeidsprosesser.

Ytterligere informasjon iht. EN 60745

Vibrasjonsverdier, tre aksler (vibrasjonsvektorsum)	iht. EN 60745-2-2
Slagskruer og festeelementer av maksimal størrelse for verktøyet ½", a _h	14,5 m/s ²
Slagskruer og festeelementer av maksimal størrelse for verktøyet ¾", a _h	14,2 m/s ²
Usikkerhet (K)	1,5 m/s ²

Batteri	B 22/3.3 Li-Ion	B 22/2.6 Li-Ion	B 22/1.6 Li-Ion
Merkespenning	21,6 V	21,6 V	21,6 V
Batterikapasitet	3,3 Ah	2,6 Ah	1,6 Ah
Vekt	0,78 kg	0,78 kg	0,48 kg
Temperaturovervåking ved lading	ja	ja	ja
Temperaturovervåking ved utlading	ja	ja	ja
Celletype	Li-Ion	Li-Ion	Li-Ion

Batteri	B 22/3.3 Li-Ion	B 22/2.6 Li-Ion	B 22/1.6 Li-Ion
Celleblokk	12 stk.	12 stk.	6 stk.
Energiinnhold	71,28 Wh	56,16 Wh	34,56 Wh

5 Sikkerhetsregler

INFORMASJON

Sikkerhetsanvisningene i etterfølgende kapittel omfatter alle generelle sikkerhetsanvisninger for elektroverktøy som ifølge gjeldende normer skal tas med i bruksanvisningen. Det kan også omfatte anvisninger som ikke er relevante for denne maskinen.

5.1 Generelle sikkerhetsregler for elektroverktøy

a) ADVARSEL

Les alle sikkerhetsanvisninger og andre anvisninger. Manglende overholdelse av sikkerhetsanvisninger og andre anvisninger kan medføre elektrisk støt, brann og/eller alvorlige skader. **Overhold alle sikkerhetsanvisninger og instruksjoner i hele bruksperioden.** Begrepet "elektroverktøy" som er brukt i sikkerhetsanvisningene, viser til nettdrevne elektroverktøy (med nettkabel) og batteridrevne elektroverktøy (uten nettkabel).

5.1.1 Sikkerhet på arbeidsplassen

- Hold arbeidsområdet rent og godt opplyst.** Rotete eller dårlig belyste arbeidsområder kan føre til ulykker.
- Bruk ikke elektroverktøyet i eksplosjonsfarlige omgivelser hvor det befinner seg brennbare flytende stoffer, gasser eller støv.** Elektroverktøy lager gnister som kan antenne støv eller damper.
- Hold barn og andre personer på sikker avstand mens elektroverktøyet brukes.** Hvis du blir forstyrret under arbeidet, kan du miste kontrollen over maskinen.

5.1.2 Elektrisk sikkerhet

- Elektroverktøyets støpsel må passe i stikkontakten. Støpselet må ikke forandres på noen som helst måte. Bruk ikke adapterkontakt på elektroverktøyet som er jordet.** Originale plugger og egnede stikkontakter minsker risikoen for elektrisk støt.
- Unngå kroppskontakt med jordete overflater som rør, radiatorer, komfyrer eller kjøleskap.** Det er større fare ved elektriske støt hvis kroppen din er jordet.
- Hold elektroverktøyet unna regn og fuktighet.** Risikoen for et elektrisk støt øker ved inntrenging av vann i et elektroverktøy.
- Bruk ikke ledningen til å bære elektroverktøyet, henge det opp eller til å dra støpselet ut av stikkontakten. Hold ledningen unna varme, olje, skarpe kanter eller maskindeler som beveger seg.** Skadede eller sammenviklede ledninger øker risikoen for elektriske støt.
- Bruk kun skjøteledning som også er godkjent for utendørs bruk når du arbeider med et elektroverktøy utendørs.** Bruk av skjøteledning som er egnet til utendørs bruk minsker risikoen for elektrisk støt.
- Må elektroverktøyet brukes i fuktige omgivelser, er det nødvendig å bruke en jordfeilbryter.** Bruk av en jordfeilbryter reduserer risikoen for elektrisk støt.

5.1.3 Personsikkerhet

- Vær oppmerksom, pass på hva du gjør, og gå fornuftig fram under arbeidet med et elektroverktøy. Ikke bruk noe elektroverktøy når du er trett eller er påvirket av narkotika, alkohol eller medikamenter.** Et øyeblikks uoppmerksomhet ved bruk av elektroverktøyet kan føre til alvorlige skader.
- Bruk alltid personlig verneutstyr og vernebriller.** Bruk av personlig verneutstyr som støvmaske, sklisliske vernesko, hjelm eller hørselsvern – avhengig av type og bruk av elektroverktøyet – reduserer risikoen for skader.
- Unngå utilsiktet start. Forsikre deg om at elektroverktøyet er slått av før du setter i stikkontakten eller batteriet, løfter den eller flytter på den.** Hvis du holder fingeren på bryteren når du bærer elektroverktøyet, eller kobler elektroverktøyet til strøm i innkoblet tilstand, kan dette føre til uhell.

- d) **Fjern justeringsverktøy og skrunøkkel før du slår på elektroverktøyet.** Et verktøy eller en nøkkel som befinner seg i en roterende maskindel, kan føre til skader.
- e) **Unngå uhensiktsmessige arbeidsposisjoner. Sørg for å stå stødig og i balanse.** Dermed kan du kontrollere elektroverktøyet bedre i uventede situasjoner.
- f) **Bruk egnede klær. Ikke bruk vide klær eller smykker. Hold hår, tøy og hansker unna deler som beveger seg.** Løstsittende tøy, smykker eller langt hår kan komme inn i deler som beveger seg.
- g) **Hvis det er montert støvavsugs- og oppsamlingsinnretninger, må det kontrolleres at disse er koblet til og blir brukt på riktig måte.** Bruk av et støvavsug kan redusere faremomentene i forbindelse med støv.

no

5.1.4 Bruk og behandling av elektroverktøyet

- a) **Ikke overbelast maskinen. Bruk et elektroverktøy som er beregnet til den type arbeid du vil utføre.** Med et passende elektroverktøy arbeider du bedre og sikrere i det angitte effektområdet.
- b) **Ikke bruk elektroverktøy med defekt bryter.** Et elektroverktøy som ikke lenger kan slås av eller på, er farlig og må repareres.
- c) **Dra ut støpselet fra stikkontakten og/eller ta ut batteriet før du foretar maskininnstillinger, bytter tilleggsutstyr eller legger bort maskinen.** Disse tiltakene forhindrer en utilsiktet start av elektroverktøyet.
- d) **Oppbevar elektroverktøy som ikke brukes utenfor barns rekkevidde. Ikke la maskinen brukes av personer som ikke er fortrolig med dette eller ikke har lest disse anvisningene.** Elektroverktøy er farlige når de brukes av uerfarne personer.
- e) **Sørg for grundig stell og vedlikehold av elektroverktøyet. Kontroller at bevegelige deler på elektroverktøyet fungerer feilfritt og ikke klemmes fast, og om deler er brukket eller skadet, slik at dette innvirker på elektroverktøyets funksjon. La skadede deler repareres før elektroverktøyet brukes.** Mange ulykker er et resultat av dårlig vedlikeholdte elektroverktøy.
- f) **Hold skjæreverktøy skarpe og rene.** Godt vedlikeholdte skjæreverktøy med skarpe skjærekanter blir sjeldnere fastklemt og er lettere å styre.
- g) **Bruk elektroverktøyet, tilbehør, arbeidsverktøy osv. i overensstemmelse med denne anvisningen. Ta hensyn til arbeidsforholdene og arbeidet som skal utføres.** Bruk av elektroverktøy til andre formål enn det som er angitt kan føre til farlige situasjoner.

5.1.5 Bruk og behandling av det batteridrevne elektroverktøyet

- a) **Bruk kun ladere som er anbefalt av produsenten når du skal lade batteriene.** Det oppstår brannfare når det brukes andre batterier i en lader enn dem laderen er egnet for.
- b) **Bruk bare batterier som er beregnet for de forskjellige elektroverktøyene.** Bruk av andre batterier kan medføre skader og brannfare.
- c) **Unngå å oppbevare ubrukte batterier i nærheten av binders, mynter, nøkler, nagler, skruer eller andre små metallgjenstander som kan forårsake kortslutning av kontakten.** En kortslutning mellom batterikontaktene kan føre til forbrenninger eller brann.
- d) **Ved feil bruk kan væske lekke fra batteriet. Unngå kontakt med denne væsken. Ved tilfeldig kontakt må det skylles med vann. Hvis det kommer væske i øynene, må du i tillegg oppsøke lege.** Batterivæske som renner ut, kan føre til irritasjoner på huden eller forbrenninger.

5.1.6 Service

- a) **Elektroverktøyet må kun repareres av kvalifisert fagpersonale og kun med originale reservedeler.** Slik opprettholdes elektroverktøyets sikkerhet.

5.2 Ekstra sikkerhetsanvisninger

5.2.1 Personsikkerhet

- a) **Hold maskinen i de isolerte håndtakene når du utfører arbeid der verktøyet kan komme i kontakt med elektriske**

ledninger. Hvis skruen kommer i kontakt med en spenningsførende ledning kan det også sette maskinens metalldele under spenning og føre til elektrisk støt.

- b) **Bruk hørselsvern.** Påvirkning av støy kan føre til hørselstap.
- c) **Hvis maskinen brukes uten støvavsug, må man bruke støvmaske når arbeidet forårsaker støv.**
- d) **Ta pauser fra arbeidet og foreta avspennings- og fingerøvelser for å øke blodgjennomstrømmingen i fingrene.**
- e) **Unngå å berøre de roterende delene. Koble først til maskinen på arbeidsområdet.** Berøring av de roterende delene, spesielt roterende verktøy, kan føre til skader.
- f) **Aktiver innkoblingssperren (H/V-omkoblingsbryter i midtstilling) ved lagring og transport av maskinen.**
- g) **Barn må få beskjed om at de ikke får lov til å leke med maskinen.**
- h) **Maskinen skal ikke brukes av barn eller svake personer uten oppsyn.**
- i) Støv fra materialer som blyholdig maling, enkelte tresorter, mineraler og metaller kan være helseskadelig. Berøring eller innånding av slike typer støv kan fremkalle allergiske reaksjoner og/eller luftveissykdommer hos brukeren og andre personer som oppholder seg i nærheten. Bestemte typer støv som eikestøv eller bøkestøv regnes som kreftfremkallende, særlig i forbindelse med stoffer for trebehandling (kromat, trepleiemidler). Asbestholdige materialer skal kun bearbeides av kvalifisert personell. **Bruk støvavsug der det er mulig. For å oppnå høy effekt på støvavsuget bør du bruke et egnet, mobilt støvavsug for tre og/eller mineralstøv som er anbefalt av Hilti og som er tilpasset dette elektroverktøyet. Sørg for at arbeidsplassen er godt luftet. Bruk av åndedrettsvern med filterklasse P2 anbefales. Ta hensyn til gjeldende lokale forskrifter for materialene som skal bearbeides.**

5.2.2 Aktsom håndtering og bruk av elektroverktøy

- a) **Sikre emnet. Bruk tvinger eller skrustikke til å holde fast emnet.** Emnet sitter dermed bedre festet enn om du holder det med hånden, og du har dessuten begge hendene fri til å betjene maskinen.
- b) **Sørg for at verktøyet i bruk er kompatibelt med maskinens chuck-system og at det er festet riktig i chucken.**
- c) **Kontroller at skruene og emnet er egnet til dreiemomentet som utvikles av maskinen.** Et for høyt dreiemoment kan føre til overbelastning på skruer eller arbeidsemne, utvidelser eller skader og dermed til farlige situasjoner eller personskaade.

5.2.3 Aktsom håndtering og bruk av batteridrevne maskiner

- a) **Beskytt batteriene mot høye temperaturer og åpen ild.** Ellers kan det være fare for eksplosjon.
- b) **Batteriene må ikke tas fra hverandre, klemmes, varmes opp over 80 °C eller brennes.** Ellers kan det være fare for brann, eksplosjoner og etseskader.
- c) **Bruk ikke andre batterier enn de som er beregnet for den aktuelle maskinen.** Hvis du bruker andre batterier eller bruker batteriene til andre formål, er det brann- og eksplosjonsfare.
- d) **Ta hensyn til spesielle retningslinjer for transport, lagring og bruk av Li-Ion-batterier.**
- e) **Skadde batterier (for eksempel batterier med sprekker, ødelagte deler eller kontakter som er bøyd, skjøvet tilbake eller trukket ut) skal ikke lades opp eller brukes videre.**
- f) Hvis batteriet er så varmt at du ikke kan ta i det, kan det være defekt. **Plasser apparatet på et ikke brennbart sted med tilstrekkelig avstand fra brennbare materialer, der det kan observeres. La det avkjøles. Kontakt Motek-service når batteriet er avkjølt.**

5.2.4 Elektrisk sikkerhet



Kontroller arbeidsområdet for skjulte elektriske ledninger, gass- og vannrør før du starter arbeidet, f.eks. ved hjelp av en metalldetektor. Eksterne metalldele på maskinen kan bli

strømførende ved at f. eks. en strømførende kabel utilsiktet blir skadet. Dette innebærer en alvorlig fare for elektrisk støt.

5.2.5 Arbeidsplassen

- Sørg for god belysning på arbeidsplassen.**
- Sørg for at arbeidsplassen er godt luftet.** Arbeidsplasser med dårlig ventilasjon kan føre til helseskader på grunn av støvbelastning.

5.2.6 Personlig verneutstyr



Brukeren og personer som befinner seg i nærheten må bruke egnede vernebriller, hjelm, hørselvern, arbeidshansker og en lett støvmaske når maskinen er i drift.

6 Ta maskinen i bruk



6.1 Riktig håndtering av batterier

INFORMASJON

Batteriytelsen synker ved lave temperaturer. Bruk ikke batteriet til alle cellene er tomme. Bytt til et annet batteri i god tid. Lad opp batteriet med en gang slik at det er klart til gjenbruk.

Batteriene bør lagres så kjølig og tørt som mulig. Batteriene må aldri lagres i solen, på en radiator eller bak glassruter. Batteriene må avhendes på miljømessig forsvarlig måte når de er utbrukte.

6.2 Lade batteriet



FORSIKTIG

Bruk bare ladere fra Hilti som er beregnet for din maskin. Disse er oppført under "Verktøy, tilbehør".

6.2.1 Første gangs lading av nytt batteri

Lad batteriene helt opp før første gangs bruk.

6.2.2 Opplading av brukt batteri

Sørg for at yttersiden av batteriet er ren og tørr før det settes til lading i laderen.

Les bruksanvisningen til laderen før opplading.

Li-Ion-batterier er alltid klare til bruk, også i delvis oppladet tilstand. Ladingen vises på LED-ene (se bruksanvisningen for laderen).

6.3 Sette i batteriet

FORSIKTIG

Før du setter inn batteriet, må du kontrollere at maskinen er slått av og at innkoblingssperren er aktivert (bryter for høyre-/venstregang i midtstilling). Bruk bare batterier som er beregnet for din maskin.

FORSIKTIG

Kontroller at det ikke er fremmedlegemer på kontaktene på batteriet eller kontaktene på apparatet før du setter batteriet inn i apparatet.

1. Skyv inn batteriet i maskinen fra baksiden til det smekker hørbart på plass med et dobbeltklikk ved anslag.

2. **FORSIKTIG** Hvis batteriet ikke er satt inn riktig kan det falle av under arbeid.

FORSIKTIG Hvis batteriet faller ned, kan dette være farlig for deg selv eller andre.

Før arbeidet starter må du kontrollere at batteriet sitter riktig i maskinen.

6.4 Ta ut batteriet 2

1. Trykk på begge utløserknappene.
2. Trekk batteriet ut av maskinen på baksiden.

6.5 Transport og lagring av batterier

Trekk batteriet ut av låseposisjonen (arbeidsposisjon) og til inngrepsposisjon (transportstilling).

Hvis du tar batteriet ut av maskinen for transport eller lagring, må du sørge for at batteriets kontakter ikke blir kortsluttet. Fjern løse metalldele som f.eks. skruer, nagler, klemmer, løse skrubs, tråder og metallspion fra kofferten, verktøykassen eller transportbeholderen, eller sørg for å hindre at disse delene kommer i kontakt med batteriet.

Ved forsendelse av batterier (vei-, tog-, båt- eller flytransport) må nasjonale og internasjonale transportforskrifter overholdes.

7 Betjening



7.1 Bytte av verktøy

INFORMASJON

For sikring av verktøyet er maskinen utstyrt med 1/2" chuck med utvendig firkant og halvkule eller 3/4" chuck med utvendig firkant og boltelås.

7.1.1 Bytte av verktøy, 1/2" utvendig firkant med halvkule

INFORMASJON

Rett inn hullet på siden i bitspipen med halvkulen på verktøyfestet, ellers vil ikke verktøyet være sikret mot å løsne av seg selv.

7.1.1.1 Montere bitspipe (verktøy) 3

1. Sett høyre-/venstreomkoblingsbryteren i midtstilling eller ta av batteriet.
2. Rett inn hullet i siden av bitspipen med halvkulen på verktøyfestet.
3. Trykk bitspipen mot chucken til den smekker på plass.

7.1.1.2 Demontere bitspipe (verktøy) 4

1. Sett høyre-/venstreomkoblingsbryteren i midtstilling eller ta av batteriet.
2. Trekk bitspipen ut av verktøyholderen.

7.1.2 Bytte av verktøy, 3/4" utvendig firkant med boltelås

7.1.2.1 Montere bitspipe (verktøy) 5

1. Sett høyre-/venstreomkoblingsbryteren i midtstilling eller ta av batteriet.
2. Fjern O-ringen fra sporet på bitspipen.
3. Trekk ut låsebolten.
4. Sett bitspipen på maskinens firkantdrev.
INFORMASJON Pass på at hullene på chucken stemmer med låsebolten på firkantdrevet og bitspipen.
5. Monter først låsebolten og deretter O-ringen som sikring på bitspipen.

7.1.2.2 Demontere bitspipe (verktøy) 6

1. Sett høyre-/venstreomkoblingsbryteren i midtstilling eller ta av batteriet.
2. Fjern O-ringen fra sporet på bitspipen.
3. Trekk ut låsebolten.
4. Fjern bitspipen fra maskinens firkantdrev.

5. Monter først låsebolten og deretter O-ringene som sikring på bitspien.

7.2 Stille inn høyre- eller venstregang 7

INFORMASJON

Med omkoblingsbryteren for høyre-/venstregang kan du velge rotasjonsretning for verktøyspindelen. En sperre hindrer at motoren kobles om når den er i drift. I midtstilling er kontrollbryteren blokkert. Trykk omkoblingsbryteren mot høyre (i maskinens arbeidsretning) = høyregang. Trykk omkoblingsbryteren mot venstre (i maskinens arbeidsretning) = venstregang.

no

7.3 Slå av/på

Ved å trykke langsomt på AV/PÅ-bryteren, kan man velge trinnløst mellom minimal og maksimal hastighet.

7.4 Skruing

ADVARSEL

Kontroller at skruene og emnet er egnet til dreiemomentet som utvikles av maskinen. Et for høyt dreiemoment kan føre til overbelastning på skruer eller arbeidsemne, utvidelser eller skader og dermed til farlige situasjoner eller personskade.

Velg rotasjonsretning med høyre-/venstre-bryteren.

7.5 Avlesning av lade nivå for Li-Ion-batterier 8

INFORMASJON

Mens arbeidet pågår, er det ikke mulig å vise lade nivået. Når LED 1 blinker, betyr det bare at batteriet er helt utladet eller for varmt (temperatur >80 °). I slike tilfeller skal batteriet settes inn i ladeapparatet. Overlast eller overoppheting av apparatet angis ved at alle fire LED lyser.

Li-Ion-batteriet har en lade nivåindikator. Under ladingen angis lade nivået på indikatoren på batteriet (se kapitlet "Lade nivå for Li-Ion-batterier"). I standbystilling vises lade nivået i tre sekunder ved hjelp av de fire lysdiodene når du trykker inn en av låsetastene på batteriet.

7.6 Beltekrok 9

FORSIKTIG

Kontroller før arbeidet starter at beltekroken er sikkert festet.

Ved hjelp av beltekroken kan maskinen festes i beltet inntil kroppen. For venstrehendte kan beltekroken også flyttes over til den andre siden av maskinen.

1. Trekk batteriet ut av apparatet.
2. Fest skruelåsen i føringen.
3. Fest beltekroken med to skruer.

8 Service og vedlikehold

FORSIKTIG

Før rengjøring skal batteriet tas ut av maskinen for å forhindre utilsiktet start!

8.1 Stell av verktøyet

Fjern skitt som sitter på overflaten av verktøyet og beskytt det mot korrosjon ved å gni det med en oljet klut en gang i mellom.

8.2 Vedlikehold av maskinen

FORSIKTIG

Hold maskinen ren og fri for olje og fett, særlig maskinens gripeflater. Ikke bruk rengjøringsmidler som inneholder silikon.

Ytterhuset på maskinen er laget av støtsikker plast. Grepsdelen er laget av syntetisk gummi.

Ikke bruk maskinen når ventilasjonsåpningene er tette! Bruk en tørr børste for å rengjøre dem forsiktig. Forhindre at fremmedlegemer trenger inn i maskinen. Bruk en lett fuktig klut og rengjør utsiden av maskinen jevnlig. Ikke bruk spray, damprensere eller rennende vann til rengjøring! Dette kan gå utover den elektriske sikkerheten til maskinen.

8.3 Stell av Li-Ion-batteri

Unngå inntrengning av fuktighet.

Lad batteriene helt opp før første gangs bruk.

For å oppnå maksimal levetid for batteriet, bør du avslutte utladningen så snart effekten i maskinen blir merkbart redusert.

INFORMASJON

Ved videre bruk av apparatet avsluttes utladningen og LED 1 i batteriet blinker før cellene kan bli skadet.

Lad batteriene med Hilti-lader godkjent for Li-Ion-batterier.

no

INFORMASJON

- Det er ikke nødvendig med oppfriskningslading som for NiCd- eller NiMH-batterier.
- Levetiden til batteriene blir ikke påvirket av at ladingen avbrytes underveis.
- Ladingen kan påbegynnes når som helst, uten at det går ut over levetiden. Det finnes ingen minneeffekt som ved NiCd eller NiMH.
- Batteriene bør helst oppbevares i fulladet tilstand, og så kjølig og tørt som mulig. Oppbevaring av batterier i høye omgivelsestemperaturer (bak vindusruter) er ugunstig, påvirker levetiden for batteriene og øker battericellenes selvutladning.
- Hvis batteriet ikke lades helt opp, har det mistet kapasitet på grunn av aldring eller overbelastning. Du kan fremdeles arbeide med dette batteriet. Etter hvert bør du bytte ut batteriet med et nytt.

8.4 Vedlikehold

ADVARSEL

Elektriske deler på maskinen må kun repareres av fagfolk.

Sjekk etter skader på alle eksterne deler av maskinen jevnlig, og kontroller at betjeningselementene fungerer feilfritt. Ikke bruk maskinen hvis deler av den er ødelagt, eller hvis betjeningselementene ikke fungerer feilfritt. La et Motek service-senter foreta reparasjonen.

8.5 Kontroll etter stell og vedlikeholdsarbeid

Etter stell og vedlikehold av maskinen må man kontrollere at alle beskyttelses- og sikkerhetsmekanismene er tilpasset og fungerer som de skal.

9 Feilsøking

Feil	Mulig årsak	Løsning
Maskinen fungerer ikke.	Batteriet er ikke satt riktig inn, eller batteriet er tomt.	Batteriet må festes med et tydelig dobbeltklikk, eller batteriet må lades.
	Elektrisk feil.	Ta batteriet ut av maskinen og kontakt Motek service.
Maskinen virker ikke og 1 LED blinker.	Batteriet er utladet.	Bytt batteri og lad det tomme batteriet.
	Batteriet er for varmt eller for kaldt.	Bring batteriet til anbefalt driftstemperatur.
Maskinen virker ikke og alle 4 LED-ene blinker.	Maskinen er kortvarig overopphetet.	Slipp og trykk kontrollbryteren.
	Overopphetingsvern.	La maskinen avkjøles Rengjør ventilasjonsåpningene.
PÅ/AV-bryteren kan ikke trykkes inn eller er blokkert.	Venstre-/høyrebryter i midtstilling (transportstilling).	Trykk venstre-/høyrebryteren mot venstre eller høyre.
Turtallet reduseres kraftig og plutselig.	Batteriet er utladet.	Bytt batteri og lad det tomme batteriet.
Batteriet blir raskere tomt enn vanlig.	Batteriets status er ikke optimal.	La Motek service stille en diagnose eller bytt ut batteriet.

Feil	Mulig årsak	Løsning
Batteriet festes ikke med et hørbart "dobbelklikk".	Festetappene på batteriet er skitne.	Rengjør festetappene og sett batteriet på plass. Kontakt Motek service hvis problemet fortsetter.
Sterk varmeutvikling i maskinen eller batteriet.	Elektrisk defekt.	Slå straks av maskinen, ta batteriet ut av maskinen og kontakt Motek-service.
	Maskinen er overbelastet (bruksgrensen er overskredet).	Velg riktig maskin til bruksområdet.

no

10 Avhending

FORSIKTIG

Ved ukyndig avhending av utstyret kan følgende skje: Ved forbrenning av plastdeler kan det oppstå giftige gasser som kan gjøre personer syke. Batterier kan eksplodere og dermed forårsake forgiftninger, forbrenninger, etseskader eller miljøskader dersom de skades eller varmes sterkt opp. Ved ukyndig avhending kan uvedkommende få tak i utstyret og bruke det på uønskede måter. Dette kan føre til at de skader seg selv og tredjepart og skader miljøet.

FORSIKTIG

Defekte batterier skal kasseres umiddelbart. Hold disse utilgjengelige for barn. Batteriene skal ikke demonteres og ikke brennes.

FORSIKTIG

Avhend batterier i henhold til nasjonale bestemmelser eller lever brukte batterier tilbake til Motek.



De fleste av Hiltis maskiner er laget av resirkulerbart materiale. En forutsetning for gjenvinning er at delene tas fra hverandre. Norge har en ordning for å ta maskiner tilbake for resirkulering. Trenger du mer informasjon, kontakt Motek.



Kun for EU-land

Kast aldri elektroverktøy i husholdningsavfall!

I henhold til EU-direktiv om kasserte elektriske og elektroniske produkter og direktivets iverksetting i nasjonal rett, må elektroverktøy og batterier som ikke lenger skal brukes, samles separat og returneres til et miljøvennlig gjenvinningsanlegg.

11 Produsentgaranti for maskiner

Motek garanterer levering av et apparat som er fritt for material- eller fabrikkasjonsfeil i et år fra fakturadato. Garantien gjelder under forutsetning av at apparatet er korrekt benyttet og vedlikeholdt i henhold til bruksanvisningen og at det kun brukes originalt Hilti forbruksmateriale, tilbehør og deler med apparatet.

Denne garantien omfatter gratis reparasjon eller utskiftning av defekte deler i hele apparatets levetid. Defekter som skyldes naturlig slitasje på apparatet faller ikke inn under garantibestemmelsene.

Så fremt ikke nasjonale forskrifter tilsier noe annet, er ytterligere krav utelukket. Motek garanterer ikke under noen omstendighet for direkte, indirekte skader, følgeskader, tap eller kostnader i forbindelse med bruken av apparatet eller uriktig bruk av apparatet, uavhengig av årsak. Indirekte løfter om apparatets bruksmuligheter ligger ettertrykkelig utenfor garantiens bestemmelser.

Reparasjoner eller endringer skal kun utføres av Moteks service-sentra.

Dette er Moteks garantiforpliktelse. Denne er overordnet tidligere og samtidige forpliktelser, det være seg skriftlige eller muntlige.

12 EF-samsvarserklæring (original)

Betegnelse:	Batteridrevet slagmuttertrekker
Typebetegnelse:	SIW 22T-A
Generasjon:	01
Produksjonsår:	2013

Vi erklærer herved at dette produktet overholder følgende normer og retningslinjer: EN 60745-1, EN 60745-2-2, 2006/42/EF, 2004/108/EF, 2006/66/EF, 2011/65/EU, EN ISO 12100.

Hilti Corporation, Feldkircherstrasse 100, FL-9494 Schaan



Paolo Luccini
Head of BA Quality and Process
Management

Business Area Electric Tools & Accessories
06/2013



Jan Doongaji
Executive Vice President

Business Unit Power Tools & Accessories
06/2013

Teknisk dokumentasjon hos:

Hilti Entwicklungsgesellschaft mbH
Zulassung Elektrowerkzeuge
Hiltistrasse 6
86916 Kaufering
Deutschland

ALKUPERÄISET OHJEET

Iskevä akkumutteriväännin SIW 22T-A

Lue ehdottomasti tämä käyttöohje ennen koneen käyttämistä.

Säilytä käyttöohje aina koneen mukana.

Varmista, että käyttöohje on koneen mukana, kun luovutat koneen toiselle henkilölle.

Sisällysluettelo

fi

1	Yleisiä ohjeita	69
2	Kuvaus	70
3	Lisävarusteet	71
4	Tekniset tiedot	71
5	Turvallisuusohjeet	73
6	Käyttöönotto	76
7	Käyttö	77
8	Huolto ja kunnossapito	79
9	Vianmääritys	79
10	Hävittäminen	80
11	Valmistajan myöntämä takuu	81
12	EU-vaatimustenmukaisuusvakuutus (originaali)	81

I Numerot viittaavat kuviin. Tekstiin liittyvät kuvat löydät auki taitettavilta kansisivuilta. Pidä kansisivut auki käyttöohjetta lukiesasi.

Tässä käyttöohjeessa sana »kone« tarkoittaa aina iskevää akkumutteriväännintä SIW 22T-A akkuineen.

Käyttöelementit ja koneen osat **I**

- ① Istukka
- ② Käyttökytkin (kierrosluvun elektroninen säätö)
- ③ Suunnanvaihtokytkin jossa päälle kytkemisen salpa
- ④ Vapautuspainikkeet joissa lisätoimintona lataustilan näytön aktivointi
- ⑤ Tyypikilpi
- ⑥ Lataustila- ja häiriönäyttö (Li-ioniakku)
- ⑦ Vyökoukku (lisävaruste)

1 Yleisiä ohjeita

1.1 Varoitustekstit ja niiden merkitys

VAKAVA VAARA

Varoittaa vaaratilanteesta, josta voi seurauksena olla vakava loukkaantuminen tai jopa kuolema.

VAARA

Varoittaa vaaratilanteesta, josta voi seurauksena olla vakava loukkaantuminen tai kuolema.

VAROITUS

Varoittaa vaaratilanteesta, josta voi seurauksena olla loukkaantuminen, vaurioituminen tai aineellinen vahinko.

HUOMAUTUS

Antaa toimintaohjeita tai muuta hyödyllistä tietoa.

1.2 Symboleiden ja muiden huomautusten merkitys

Varoitussymbolit



Yleinen vaara



Vaara: vaarallisen korkean sähköjännite



Vaara: syövyttäviä aineita

Ohjesymbolit



Käytä suojalaseja



Käytä suojakypärää



Käytä kuulosuojaimia



Käytä suojakäsineitä



Käytä hengityssuojainta

fi

Symbolit



Lue käyttöohje ennen koneen käyttämistä



Jätteet toimitettava kierrätykseen



Volttia



Tasavirta

n_0

Nimellisjoutokäyntikierrosluku

/min

Kierrosta minuutissa

Koneen tunnistetietojen sijainti

Tyyppimerkintä on sijoitettu tyyppikilpeen. Sarjanumero on sijoitettu moottorikotelon sivulle. Merkitse nämä tiedot myös koneesi käyttöohjeeseen ja ilmoita nämä tiedot aina kun otat yhteyttä Hilti-myyntiedustajaan tai Hilti-asiakaspalveluun.

Tyyppi:

Sukupolvi: 01

Sarjanumero:

2 Kuvaus

2.1 Tarkoituksenmukainen käyttö

SIW 22T-A on käsiohjattava iskevä akkumutteriväännin. Se soveltuu ruuvien ja pulttien muttereiden, kiinnitysankkureiden ja kiinnityspulttien kiristämiseen ja irti kiertämiseen.

Terveydelle vaarallisia materiaaleja (esimerkiksi asbesti) ei saa työstää.

Noudata kansallisia työturvallisuusmääräyksiä.

Älä käytä koneen akkuja muiden määrittämättömien koneiden ja laitteiden virtalähteenä.

Koneeseen ei saa tehdä minkäänlaisia muutoksia.

Loukkaantumisvaaran välttämiseksi käytä koneessa vain alkuperäisiä Hilti-lisävarusteita ja -lisälaitteita.

Konetta ei saa käyttää käyttötarkoituksiin, jotka vaativat tarkkaa / määritettyä vääntömomenttia. Jos konetta käytetään käyttötarkoituksiin, jotka vaativat määritettyä vääntömomenttia tai joissa maksimivääntömomentti ei saa ylittyä, on olemassa vaara, että kierteet vääntyvät rikki ja ruuvi tai kiinnitettävä osa vaurioituu. Tällaisiin tarkoituksiin on käytettävä konetta, johon voidaan säätää määritetty vääntömomentti.

Noudata käyttöohjeessa annettuja käyttöä, huoltoa ja kunnossapitoa koskevia ohjeita.

Kone on tarkoitettu ammattikäyttöön. Konetta saa käyttää, huoltaa tai korjata vain valtuutettu, koulutettu henkilö. Käyttäjän pitää olla hyvin perillä koneen käyttöön liittyvistä vaaroista. Kone ja sen varusteet saattavat aiheuttaa vaaratilanteita, jos kokemattomat henkilöt käyttävät konetta ohjeiden vastaisesti tai muutoin asiattomasti.

Käyttökohteita voivat olla: rakennustyömaa, verstaas, saneeraaminen, muutosrakentaminen ja uuden rakentaminen.

2.2 Istukka

1/2" nelikantaistukka jossa lukituskuula

3/4" nelikantaistukka jossa lukitustappi

2.3 Kytkin

Käyttökytkin ja kierrosluvun elektroninen säätö
Suunnanvaihtokytkin jossa päälle kytkemisen salpa

2.4 Laukussa toimitettavan koneen vakiovarustus:

- 1 Kone
- 1 Käyttöohje
- 1 Hilti-kantolaukku

2.5 Pahvipakkauksessa toimitettavan koneen vakiovarustus:

- 1 Kone
- 1 Käyttöohje

2.6 Koneen käyttämiseen tarvitaan lisäksi

Akku B 22/2.6 Li-lon tai B 22/3.3 Li-lon ja laturi C4/36-90 tai C4/36-350 tai C 4/36 tai C 4/36-ACS tai C 4/36-ACS TPS.

2.7 Li-ioniakun lataustilan ja ylikuumentumisen näyttö

LED palaa jatkuvasti	LED vilkkuu	Lataustila C
LED 1, 2, 3, 4	-	$C \geq 75 \%$
LED 1, 2, 3	-	$50 \% \leq C < 75 \%$
LED 1, 2	-	$25 \% \leq C < 50 \%$
LED 1	-	$10 \% \leq C < 25 \%$
-	LED 1	$C < 10 \%$
-	LED 1	Akku ylikuumentunut

2.8 Koneen ylikuormituksen ja ylikuumentumisen näyttö

Koneessa on elektroninen ylikuormitussuoja ja ylikuumentumissuoja. Jos kone ylikuormittuu tai ylikuumentuu, se kytkeytyy automaattisesti pois päältä. Kun vapautat käyttökytkimen ja painat sitä uudelleen, päälle kytketytymisessä voi olla viive (koneen jäähtymisvaihe).

LED palaa jatkuvasti	LED vilkkuu	Koneen tila
-	LED 1, 2, 3, 4	Kone ylikuormitettu tai ylikuumentunut

3 Lisävarusteet

Nimi	Lyhenn nimi
Hylsyavain	S-NSD ja SV
Laturi litiumioniakuille	C 4/36
Laturi litiumioniakuille	C 4/36-ACS
Laturi litiumioniakuille	C 4/36-ACS TPS
Laturi litiumioniakuille	C 4/36-90
Laturi litiumioniakuille	C 4/36-350
Akku	B 22/3.3 Li-lon
Akku	B 22/2.6 Li-lon
Akku	B 22/1.6 Li-lon
Vyökoukku	

4 Tekniset tiedot

Oikeudet teknisiin muutoksiin pidätetään!

Kone	SIW 22T-A 1/2"	SIW 22T-A 3/4"
Nimellisjännite (tasavirtajännite)	21,6 V	21,6 V
Paino EPTA 01/2003 mukaan	3 kg	3,2 kg

Kone	SIW 22T-A 1/2"	SIW 22T-A 3/4"
Mitat (P x L x K)	232 mm x 94 mm x 258 mm	251 mm x 94 mm x 258 mm
Nimellisjoutokäyntikierrosluku	0...2000/min	0...2000/min
Iskuluku	Max. 2500/min	Max. 2500/min
Vääntömomentti	450 Nm	450 Nm
Vakioruuvi	M12 - M24	M12 - M24
Suurlujuusruuvi	M8 - M16	M8 - M16
Istukka	1/2" nelikanta jossa lukituskuula	3/4" nelikanta ja lukitustappi
Kierrosluvun säätö	Elektroninen käyttökytkimellä	Elektroninen käyttökytkimellä
Pyörimissuunta oikealle / vasemmalle	Elektroninen suunnanvaihtokytkin, suunnanvaihdon esto käytön aikana	Elektroninen suunnanvaihtokytkin, suunnanvaihdon esto käytön aikana
Syväpurkautumissuoja	Kyllä	Kyllä

HUOMAUTUS

Meluarvot (mittausnormina EN 60745-1):

Kone	SIW 22T-A 1/2"	SIW 22T-A 3/4"
Tyypillinen A-painotettu melutehotaso	108 dB (A)	111 dB (A)
Tyypillinen A-painotettu melupäästön äänenpainetaso	97 dB (A)	100 dB (A)
Ilmoitetun melutason epävarmuus	3 dB (A)	3 dB (A)

HUOMAUTUS

Tässä käyttöohjeessa ilmoitettu värinäarvo on mitattu normin EN 60745 mukaista mittausmenetelmää käyttäen, ja tätä arvoa voidaan käyttää sähkötyökalujen vertailussa. Se soveltuu myös värinärasituksen tilapäiseen arviointiin. Ilmoitettu värinäarvo koskee sähkötyökalun pääasiallisia käyttötarkoituksia. Jos sähkötyökalua kuitenkin käytetään muihin tarkoituksiin, poikkeavia työkaluja tai teriä käyttäen tai puutteellisesti huollettuna, värinäarvo voi poiketa tässä ilmoitetusta. Tämä saattaa merkittävästi lisätä värinärasitusta koko työskentelyajan aikana. Värinärasitusta tarkasti arvioitaessa on otettava huomioon myös ne ajat, jolloin kone on kytketty pois päältä tai jolloin kone on päällä, mutta sillä ei tehdä varsinaista työtä. Tämä saattaa merkittävästi vähentää värinärasitusta koko työskentelyajan aikana. Käyttäjän suojaamiseksi värinän vaikutukselta ryhdy tarpeellisiin turvatoimenpiteisiin kuten: Sähkötyökalun ja siihen kiinnitettävien työkalujen huolto, käsien lämpimänä pitäminen, työtehtävien organisointi.

Normin EN 60745 mukainen lisäinformaatio

Kolmen akselin suuntaiset värinäarvot (värinävektoreiden summa)	mittausnormina EN 60745-2-2	
Työkalulle 1/2" soveltuvien maksimikokoisten kiinnityselementtien kiertäminen iskua käyttäen, a_h	14,5 m/s ²	
Työkalulle 3/4" soveltuvien maksimikokoisten kiinnityselementtien kiertäminen iskua käyttäen, a_h	14,2 m/s ²	
Epävarmuus (K)	1,5 m/s ²	

Akku	B 22/3.3 Li-Ion	B 22/2.6 Li-Ion	B 22/1.6 Li-Ion
Nimellisjännite	21,6 V	21,6 V	21,6 V
Akun kapasiteetti	3,3 Ah	2,6 Ah	1,6 Ah
Paino	0,78 kg	0,78 kg	0,48 kg

Akku	B 22/3.3 Li-Ion	B 22/2.6 Li-Ion	B 22/1.6 Li-Ion
Lämpötilan- valvonta la- taamisessa	Kyllä	Kyllä	Kyllä
Lämpötilan- valvonta pur- kamisen ai- kana	Kyllä	Kyllä	Kyllä
Kennotyyppi	Li-Ion	Li-Ion	Li-Ion
Kennojen määrä	12 kpl	12 kpl	6 kpl
Energiamäärä	71,28 Wh	56,16 Wh	34,56 Wh

fi

5 Turvallisuusohjeet

HUOMAUTUS

Seuraavan kappaleen turvallisuusohjeet sisältävät kaikki sähkötyökaluja koskevat yleiset turvallisuusohjeet, jotka sovellettavien normien mukaan on esitettävä käyttöohjeessa. Tämän vuoksi teksti saattaa sisältää ohjeita, jotka eivät koske tätä konetta.

5.1 Sähkötyökaluja koskevat yleiset turvallisuusohjeet

a) VAARA

Lue kaikki turvallisuus- ja käyttöohjeet. Turvallisuus- ja käyttöohjeiden noudattamatta jättäminen saattaa johtaa sähköiskuun, tulipaloon ja/tai vakavaan loukkaantumiseen. **Säilytä kaikki turvallisuus- ja käyttöohjeet huolellisesti vastaisen varalle.** Turvallisuusohjeissa käytetty käsite ”sähkötyökalu” tarkoittaa verkkokäyttöisiä sähkötyökaluja (joissa verkkojohto) ja akkukäyttöisiä sähkötyökaluja (joissa ei verkkojohtoa).

5.1.1 Työpaikan turvallisuus

- Pidä työskentelyalue siistinä ja hyvin valaistuna.** Työpaikan epäjärjestys ja valaisemattomat työalueet voivat johtaa tapaturmiin.
- Älä käytä sähkötyökalua räjähdysalttiissa ympäristössä, jossa on palavaa nestettä, kaasua tai pölyä.** Sähkötyökalu synnyttää kipinöitä, jotka saattavat sytyttää pölyn tai höyryt.
- Pidä lapset ja sivulliset loitolla sähkötyökalua käyttäessäsi.** Voit menettää sähkötyökalun hallinnan huomiosi suuntautuessa muualle.

5.1.2 Sähköturvallisuus

- Sähkötyökalun liitäntäpistokkeen pitää sopia pistorasi-
aan. Pistoketta ei saa muuttaa millään tavalla. Älä käytä pistorasia-adaptoreita suojamaadotettujen sähkötyökalujen yhteydessä.** Alkuperäisessä kunnossa olevat pistokkeet ja sopivat pistorasiat vähentävät sähköiskun vaaraa.
- Vältä koskettamasta sähköä johtaviin pintoihin kuten putkiin, pattereihin, liesiin ja jääkaappeihin.** Sähköiskun vaara kasvaa, jos kehosi on maadotettu.
- Älä aseta sähkötyökalua alttiiksi sateelle tai kosteudelle.** Veden tunkeutuminen sähkötyökalun sisään lisää sähköiskun vaaraa.
- Älä kanna tai ripusta sähkötyökalua verkkojohdostaan äläkä vedä pistoketta irti pistorasiasta johdosta vetämällä. Pidä johto loitolla kuumuudesta, öljystä, terävistä reunoista ja liikkuvista osista.** Vahingoittuneet tai toisiinsa kietoutuneet johdot lisäävät sähköiskun vaaraa.
- Kun käytät sähkötyökalua ulkona, käytä ainoastaan ulko-
käyttöön hyväksyttyä jatkojohtoa.** Ulkokäyttöön soveltuvan jatkojohdon käyttö pienentää sähköiskun vaaraa.
- Jos sähkötyökalua on välttämätöntä käyttää kosteassa ympäristössä, käytä vikavirtasuojakytkintä.** Vikavirtasuojakytkimen käyttäminen vähentää sähköiskun vaaraa.

5.1.3 Henkilöturvallisuus

- Ole valpas, kiinnitä huomiota työskentelyysi ja noudata tervettä järkeä sähkötyökalua käyttäessäsi. Älä käytä sähkötyökalua, jos olet väsynyt tai huumeiden, alkoholin tai lääkkeiden vaikutuksen alaisena.** Sähkötyökalua käytet-

täessä hetkellinenkin varomattomuus saattaa aiheuttaa vakavia vammoja.

- b) **Käytä suojavarusteita. Käytä aina suojalaseja.** Suojavarusteet, kuten hengityssuojain, luistamattomat turvajalkineet, kypärä ja kuulosuojaimet pienentävät sähkötyökalun käyttötilanteesta riippuen oikein käytettyinä loukkaantumiseriskiä.
- c) **Vältä tahatonta käynnistämistä. Varmista, että sähkötyökalu on kytketty pois päältä, ennen kuin liität sen verkkovirtaan ja/tai liität siihen akun, otat sen käteesi tai annat sitä.** Jos annat sähkötyökalua sormi käynnistyskytkimellä tai liität pistokkeen pistorasiaan käynnistyskytkimen ollessa käyntiasennossa, altistat itsesi onnettomuuksille.
- d) **Poista kaikki säätötyökalut ja ruuvitaltat, ennen kuin käynnistät sähkötyökalun.** Työkalu tai avain, joka sijaitsee koneen pyörivässä osassa, saattaa aiheuttaa loukkaantumisen.
- e) **Vältä vaikeita työskentelyasentoja. Varmista aina tukeva seisoma-asento ja tasapaino.** Siten voit paremmin hallita sähkötyökalua odottamattomissa tilanteissa.
- f) **Käytä työhösi soveltuvia vaatteita. Älä käytä löysiä työvaatteita tai koruja. Pidä hiukset, vaatteet ja käsineet loitolla liikkuvista osista.** Väljät vaatteet, korut ja pitkät hiukset voivat takertua liikkuviin osiin.
- g) **Jos pölynimu- ja keräilylaitteita voidaan asentaa, sinun on tarkastettava, että ne on liitetty ja että niitä käytetään oikealla tavalla.** Pölynpoistovarustuksen käyttö vähentää pölyn aiheuttamia vaaroja.

fi

5.1.4 Sähkötyökalun käyttö ja käsittely

- a) **Älä ylikuormita konetta. Käytä kyseiseen työhön tarkoitettua sähkötyökalua.** Sopivaa sähkötyökalua käyttäen työskentelet paremmin ja varmemmin tehoalueella, jolle sähkötyökalu on tarkoitettu.
- b) **Älä käytä sähkötyökalua, jota ei voi käynnistää ja pysäyttää käynnistyskytkimellä.** Sähkötyökalu, jota ei enää voi käynnistää ja pysäyttää käynnistyskytkimellä, on vaarallinen ja se täytyy korjata.
- c) **Irrota pistoke pistorasiasta ja/tai irrota akku ennen kuin muutat säätöjä, vaihdat terää tai lisävarusteita ja kun lopetat työkalun käyttämisen.** Tämä turvatoimenpide estää sähkötyökalun käynnistymisen vahingossa.
- d) **Säilytä sähkötyökalut poissa lasten ulottuvilta, kun niitä ei käytetä. Älä anna sellaisten henkilöiden käyttää sähkötyökalua, jotka eivät tunne sitä tai jotka eivät ole lukeneet tätä käyttöohjetta.** Sähkötyökalut ovat vaarallisia, jos niitä käyttävät kokemattomat henkilöt.
- e) **Hoida sähkötyökalujasi huolella. Tarkasta, että liikkuvat osat toimivat moitteettomasti eivätkä ole puristuksissa, ja tarkasta myös, ettei sähkötyökalussa ole murtuneita tai vaurioituneita osia, jotka saattaisivat haitata sen toimintaa. Korjauta mahdolliset viat ennen käyttämistä.** Usein loukkaantumisten ja tapaturmien syynä on sähkötyökalujen laiminlyöty huolto.
- f) **Pidä terät terävinä ja puhtaina.** Huolella hoidetut terät, joiden leikkausreunat ovat teräviä, eivät jumitu herkästi, ja niillä työnteko on kevyempää.
- g) **Käytä sähkötyökalua, lisävarusteita ja tarvikkeita, teriä jne. niiden käyttöohjeiden mukaisesti. Ota tällöin työolosuhteet ja suoritettava työtehtävä huomioon.** Sähkötyökalun käyttö muuhun kuin sille tarkoitettuun käyttöön saattaa johtaa vaarallisiin tilanteisiin.

5.1.5 Akkukäyttöisen työkalun käyttö ja käsittely

- a) **Lataa akku vain valmistajan suositamalla laturilla.** Jos laturi on tarkoitettu vain tietyn akkumallin lataamiseen, palovaara on olemassa, jos laturia käytetään muiden akkujen lataamiseen.
- b) **Käytä ainoastaan juuri kyseiseen sähkötyökaluun tarkoitettua akkua.** Jonkin muun akun käyttö saattaa johtaa loukkaantumiseen ja tulipaloon.
- c) **Pidä irrallinen akku loitolla metalliesineistä, kuten paperinliittimistä, kolikoista, avaimista, nauloista, ruuveista tai muista pienistä metalliesineistä, jotka voivat oikosulkea akun liittimet.** Akun liittimien välinen oikosulku saattaa aiheuttaa palovammoja tai johtaa tulipaloon.
- d) **Väärästä käytöstä johtuen saattaa akusta vuotaa nestettä, jota ei saa koskettaa. Jos nestettä vahingossa joutuu iholle, huuhtelee kosketuskohta vedellä. Jos nestettä pää-**

see silmiin, tarvitaan lisäksi lääkärin apua. Akusta vuotava neste saattaa aiheuttaa ärsytystä ja palovammoja.

5.1.6 Huolto

- a) **Anna koulutettujen ammattihenkilöiden korjata sähkötyökalusi ja hyväksy korjauksiin vain alkuperäisiä varaosia.** Siten varmistat, että sähkötyökalu säilyy turvallisena.

5.2 Muut turvallisuusohjeet

5.2.1 Henkilöturvallisuus

- a) **Pidä koneesta kiinni vain sen eristetyistä kahvapinnoista, jos teet työtä, jossa ruuvi saattaa osua rakenteen sisällä olevaan virtajohtoon.** Jos ruuvi osuu virtajohtoon, myös koneen metalliosiin saattaa johtua virta, ja saatat saada sähköiskun.
- b) **Käytä kuulosuojaimia.** Muutoin melu saattaa heikentää kuuloa.
- c) **Jos käytät konetta ilman pölynpoistovarustusta, käytä pölyvässä työssä hengityssuojainta.**
- d) **Pidä työssäsi rentouttavia taukoja, joiden aikana tee sormivoimisteluliikkeitä varmistaaksesi sormiesi hyvän verenkierron.**
- e) **Vältä pyörivien osien koskettamista. Kytke kone päälle vasta, kun olet juuri aloittamassa työn.** Pyörivien osien koskettaminen, etenkin pyörivien työkaluterien, saattaa aiheuttaa loukkaantumisia.
- f) **Kytke päälle kytkemisen salpa päälle (suunnanvaihtokytkin keskiasentoon) aina, kun varastoit koneen tai kuljetat sitä.**
- g) **Lapsille on opetettava, että tällä koneella ei saa leikkiä.**
- h) **Kone ei ole tarkoitettu lasten tai vajaakykyisten henkilöiden käyttöön ilman opastusta ja valvontaa.**
- i) Tiettyjen materiaalien kuten lyijypitoisen maalin, joidenkin puulajien, mineraalien ja metallien pölyt voivat olla terveydelle vaarallisia. Pölyjen ihokosketus tai hengittäminen saattaa aiheuttaa allergisia reaktioita ja/tai hengitystiesairauksia koneen käyttäjälle tai lähellä oleville henkilöille. Tietyt pölyt kuten tammen tai pyökin pöly on luokiteltu syöpää aiheuttaviksi, erityisesti jos niihin liittyy puunkäsittelyn lisäaineita (kromaatti, puunsuoja-aineet). Asbestia sisältäviä materiaaleja saavat työstää vain erikoiskoulutetut henkilöt. **Käytä mahdollisuuksien mukaan hengityssuojainta. Jotta pölynpoisto on mahdollisimman tehokas, käytä soveltuvaa, Hiltin suosittelemaa liikuteltavaa pölynpoistovarustusta, joka on tarkoitettu puu- ja/tai mineraaliainepölyille ja tälle sähkötyökalulle. Varmista työpisteesi hyvä ilmanvaihto. Suositamme suodatusluokan P2 hengityssuojaimen käyttämistä. Noudata maakohtaisia eri materiaalien työstöstä annettuja ohjeita ja määräyksiä.**

5.2.2 Sähkötyökalujen käyttö ja hoito

- a) **Kiinnitä irrallinen työkappale. Käytä työkappaleen kiinnittämiseen sopivia kiinnittimiä tai ruuvipenkkiä.** Näin varmistat, että työkappale pysyy turvallisemmin paikallaan kuin käsin pidettäessä, ja lisäksi molemmat kätesi ovat vapaat koneen käyttämiseen.
- b) **Varmista, että terä sopii koneen istukkaan ja että terä on kunnolla kiinni istukassa.**
- c) **Varmista, että ruuvit ja terä soveltuvat koneen tuottamalle vääntömomentille.** Liian suuri vääntömomentti voi ylikuormittaa, venyttää tai vaurioittaa ruuveja tai terää ja siten aiheuttaa vaarallisia tilanteita tai loukkaantumisen.

5.2.3 Akkukäyttöisten koneiden käsittely ja käyttö

- a) **Pidä akut suojassa korkeilta lämpötiloilta ja avotulelta.** Räjähdysvaara on olemassa.
- b) **Akkuja ei saa avata, puristaa, kuumentaa yli 80°C:n lämpötilaan tai polttaa.** Muutoin on olemassa tulipalo-, räjähdys- ja syöpymisvaara.
- c) **Älä käytä koneessa muita kuin juuri tähän koneeseen hyväksytyjä akkuja.** Muiden akkujen käyttäminen tai muihin käyttötarkoituksiin tarkoitettujen akkujen käyttäminen aiheuttaa tulipalo- ja räjähdysvaaran.
- d) **Ota litiumioniakkujen kuljettamisesta, varastoinnista ja käyttämisestä annetut erityisohjeet huomioon.**
- e) **Vaurioitunutta akkua (esimerkiksi akkua, jossa on murtumia tai josta on irronnut palasia tai jonka liittimet ovat**

painuneet sisään tai vääntyneet ulos) ei saa ladata eikä käyttää.

- f) Jos akku on liian kuuma koskea, se saattaa olla vaurioitunut. **Aseta kone riittävän etäälle syttyivistä materiaaleista palovaarattomaan paikkaan, jossa voit valvoa konetta ja anna sen jäähtyä. Akun jäähtyttyä ota yhteys Hilti-huoltoon.**

5.2.4 Sähköturvallisuus



fi

Tarkasta ennen työn aloittamista esimerkiksi metallinilmaisimella, onko työskentelyalueella rakenteiden sisälle asennettuja sähkö-, kaasu- tai vesijohtoja. Koneen ulkopinnan metalli-osiin saattaa johtua jännite, jos vaurioitat vahingossa virtajohtoa. Tästä aiheutuu vakava sähköiskun vaara.

5.2.5 Työpaikka

- a) **Varmista työpaikan hyvä valaistus.**
b) **Varmista työpaikan hyvä tuuletus.** Huonosti tuuletetuissa työpaikoissa esiintyvä pölykuormitus saattaa vahingoittaa terveyttä.

5.2.6 Henkilökohtaiset suojavarusteet



Koneen käyttämisen aikana koneen käyttäjän ja välittömässä läheisyydessä olevien henkilöiden on käytettävä suojalaseja, suojakypärää, kuulosuojaimia, suojakäsineitä ja kevyitä hengityssuojaimia.

6 Käyttöönotto



6.1 Akun oikea käsittely

HUOMAUTUS

Kylmyys laskee akun tehoa. Älä käytä akkua niin pitkään, että kone pysähtyy. Vaihda ajoissa käyttöön toinen akku. Lataa akku välittömästi, jotta se on käyttövalmis akun seuraavaa vaihtoa varten.

Varastoi akku viileässä ja kuivassa paikassa. Älä koskaan varastoi akkua auringonpaisteessa, lämmittimen päällä tai ikkunan vieressä. Käytetyt akut on hävitettävä ympäristönsuojelumääräysten mukaisesti.

6.2 Akun lataaminen



VAROITUS

Käytä akun lataamiseen vain Hilti-latureita, jotka on nimetty kohdassa "Työkalut ja lisävarusteet".

6.2.1 Uuden akun ensimmäinen lataaminen

Lataa akku täyteen ennen ensimmäistä käyttämistä.

6.2.2 Jo käytetyn akun lataaminen

Varmista, että akun ulkopinnat ovat puhtaat ja kuivat, ennen kuin lataamista varten laitat akun akulle tarkoitettuun laturiin.

Lue akun lataamisohjeet käytettävän laturin käyttöohjeesta.

Litiumioniakku on aina käyttövalmis, myös osittain ladattuna. LED-merkkivalot ilmaisevat latauksen edistymistä (ks. laturin käyttöohje).

6.3 Akun kiinnittäminen

VAROITUS

Varmista ennen akun kiinnittämistä, että kone on kytketty pois päältä ja että käynnistymisen esto on kytketty päälle (suunnanvaihtokytkin keskiasennossa). Käytä aina vain koneeseen hyväksyttyä Hilti-akkua.

VAROITUS

Ennen kuin laitat akun laitteeseen, varmista ettei akun liittimissä akussa ja laitteessa ole vieraita esineitä.

1. Työnnä akku takaapäin koneeseen siten, että se kuultavasti kaksi kertaa naksahaen lukittuu kiinnitykseensä.
2. **VAROITUS Jos akku ei ole kunnolla paikallaan, se saattaa pudota työnteon aikana.**

VAROITUS Laitteesta putoamaan pääsevä akku saattaa vahingoittaa sinua tai muita.

Ennen työn aloittamista tarkasta, että akku on kunnolla kiinni koneessa.

6.4 Akun irrottaminen 2

1. Paina kumpaakin vapautuspainiketta.
2. Vedä akku taaksepäin irti koneesta.

6.5 Akun kuljettaminen ja varastointi

Vedä akku lukitusasennostaan (käyttöasento) ensimmäiseen lukitusasentoonsa (kuljetusasento).

Jos irrotat akun koneesta akun kuljettamista tai varastointia varten, varmista, että akun napojen välille ei pääse syntymään oikosulku. Poista irralliset metalliosat kuten ruuvit, naulat, hakaset, ruuvauskärjet, langat ja metallilastut laukusta, työkalulaatikosta tai kuljetuspakkauksesta tai estä akun pääseminen kosketuksiin niiden kanssa.

Kun lähetät akun (maantie-, juna-, laiva- tai lentorahtikuljetuksessa), ota kuljetusten kansainväliset ja kansalliset turvallisuusmääräykset huomioon.

7 Käyttö



7.1 Työkalun vaihto

HUOMAUTUS

Koneessa on lukituskuulallinen 1/2" nelikantaistukka tai lukitustapilinen 3/4" nelikantaistukka.

7.1.1 Työkalun vaihto 1/2" nelikanta jossa lukituskuula

HUOMAUTUS

Ohjaa hylsyavaimen sivureikä istukassa olevaa lukituskuulaa vasten, sillä muutoin hylsyavain saattaa irrota itsestään.

7.1.1.1 Hylsyavaimen (työkalun) kiinnittäminen 3

1. Kytke suunnanvaihdon kytkin keskiasentoon tai irrota koneesta akku.
2. Ohjaa hylsyavaimen sivureikä istukassa olevaa lukituskuulaa vasten.
3. Paina hylsyavainta istukkaan, kunnes se kuultavasti lukittuu kiinni.

7.1.1.2 Hylsyavaimen (työkalun) irrottaminen 4

1. Kytke suunnanvaihdon kytkin keskiasentoon tai irrota koneesta akku.
2. Vedä hylsyavain irti istukasta.

7.1.2 Työkalun vaihto ¾" nelikanta jossa lukitustappi

7.1.2.1 Hylsyavaimen (työkalun) kiinnittäminen 5

1. Kytke suunnanvaihdon kytkin keskiasentoon tai irrota koneesta akku.
2. Irrota O-rengas hylsyavaimen urasta.
3. Vedä lukitustappi ulos.
4. Aseta hylsyavain koneen nelikantakaraan.
HUOMAUTUS Varmista, että lukitustappin kiinnityksen reiät ovat kohdakkain nelikantakarassa ja hylsyavaimessa.
5. Kiinnitä ensin lukitustappi paikalleen ja sitten kiinnitä O-rengas takaisin hylsyavaimeen.

fi

7.1.2.2 Hylsyavaimen (työkalun) irrottaminen 6

1. Kytke suunnanvaihdon kytkin keskiasentoon tai irrota koneesta akku.
2. Irrota O-rengas hylsyavaimen urasta.
3. Vedä lukitustappi ulos.
4. Irrota hylsyavain koneen nelikantakarasta.
5. Kiinnitä ensin lukitustappi paikalleen ja sitten kiinnitä O-rengas takaisin hylsyavaimeen.

7.2 Pyörimissuunnan valitseminen 7

HUOMAUTUS

Suunnanvaihdon kytkimellä voit valita istukan pyörimissuunnan. Salpa estää suunnan vaihtamisen moottorin käydessä. Keskiasennossa käyttökytkin on lukittu. Paina suunnanvaihtokytkin oikealle (koneeseen nähden) = pyörimissuunta oikealle. Paina suunnanvaihtokytkin vasemmalle (koneeseen nähden) = pyörimissuunta vasemmalle.

7.3 Kytkeminen päälle ja pois päältä

Käyttökytkintä hitaasti painamalla voit säätää koneen kierroslukua portaattomasti minimi- ja maksimikierrosluvun välillä.

7.4 Ruuvaaminen

VAARA

Varmista, että ruuvit ja terä soveltuvat koneen tuottamalle vääntömomentille. Liian suuri vääntömomentti voi ylikuormittaa, venyttää tai vaurioittaa ruuveja tai terää ja siten aiheuttaa vaarallisia tilanteita tai loukkaantumisen.

Valitse haluamasi pyörimissuunta suunnanvaihtokytkimellä.

7.5 Li-ioniakun lataustilan tarkastaminen lataustilan merkivaloista 8

HUOMAUTUS

Lataustilaa ei voi tarkastaa työskentelemisen aikana. LED-merkkivalon 1 vilkkuminen ilmaisee ainoastaan, että akku on joko täysin tyhjä tai että akku on liian kuuma (lämpötila > 80°). Tällöin akku on ladattava laturilla. Kaikkien 4 LED-merkkivalon vilkkuminen ilmaisee, että kone on ylikuormitettu tai ylikuumentunut.

Li-ioniakuissa on lataustilan näyttö merkkivaloilla. Lataamisen aikana akussa olevat merkkivalot ilmaisevat akun lataustilaa (ks. kappale "Li-ioniakun lataustila"). Lepotilassa akun lataustila näytetään neljällä LED-merkkivalolla akun kiinnityksen lukituspainikkeen painamisen jälkeen kolmen sekunnin ajan.

7.6 Vyökoukku 9

VAROITUS

Ennen työn aloittamista tarkasta, että vyökoukku on kunnolla kiinnitetty.

Voit kiinnittää koneen vyökoukulla vyöhösi kätevästi ulottuville. Voit myös vaihtaa vyökoukun koneen toiselle puolelle, jos olet vasenkätinen.

1. Vedä akku irti koneesta.
2. Laita ruuvikiinnityslevy sille tarkoitettuun ohjuriin.
3. Kiinnitä vyökoukku kahdella ruuvilla.

8 Huolto ja kunnossapito

VAROITUS

Irrota akku ennen kuin ryhdyt puhdistustöihin, jotta kone ei vahingossa käynnisty!

8.1 Työkalujen hoito

Poista työkaluihin tarttunut lika ja suojaa säännöllisesti öljytyllä liinalla pyyhkien työkalujen pinnat korroosiolta.

8.2 Koneen hoito

VAROITUS

Pidä kone ja etenkin sen kahvapinnat kuivina, puhtaina, öljytöminä ja rasvattomina. Älä käytä silikonisia sisältäviä hoitoaineita.

Koneen ulkokuori on valmistettu iskunkestävästä muovista. Kahvat on valmistettu synteettisestä kumista.

Älä koskaan käytä konetta, jos sen tuuletusraot ovat tukkeutuneet! Puhdista tuuletusraot varovasti kuivalla harjalla. Varo, ettei koneen sisään pääse tunkeutumaan vieraita esineitä. Puhdista koneen ulkopinnat kostealla liinalla säännöllisin välein. Älä käytä puhdistamiseen vesisuihkua, paine- tai höyrypesuria äläkä juoksevaa vettä! Muutoin koneen sähköturvallisuus vaarantuu.

8.3 Li-ioniakun hoito

Varo, ettei kosteutta pääse tunkeutumaan kotelon sisään.

Lataa akku täyteen ennen ensimmäistä käyttämistä.

Jotta akku kestäisi mahdollisimman pitkään, lopeta akun purkamisen konetta käyttämällä heti, kun koneen teho selvästi heikentyy.

HUOMAUTUS

Jos jatkat koneen käyttämistä, akun purkaminen lopetetaan automaattisesti ja akun LED-merkkivalo 1 alkaa vilkkua ennen kuin akun kennot tuhoutuvat.

Lataa akku aina vain Li-ioniakulle tarkoitetulla Hilti-laturilla.

HUOMAUTUS

- Akun virkistyslataaminen NiCd- tai NiMH-akkujen tapaan ei ole tarpeen.
- Lataamisen keskeyttäminen ei vaikuta akun kestoikään.
- Voit myös aloittaa lataamisen milloin vain ilman että akun kestoikä siitä kärsii. NiCd- tai NiMH-akuista tuttua lataustason muistamisilmiötä ei esiinny.
- Akut on parasta varastoida täyteen ladattuina viileässä ja kuivassa paikassa. Akun varastoiminen korkeissa lämpötiloissa (esimerkiksi ikkunalasin takana) ei ole suositeltavaa, sillä muutoin akun kestoikä lyhenee ja kennojen itsepurkautumistaso nousee.
- Jos akkua ei enää saa ladattua täyteen, akun kapasiteetti on laskenut vanhentumisen tai ylikuormituksen seurauksena. Tällaista akkua voi kyllä vielä käyttää, mutta on järkevää vaihtaa se uuteen.

8.4 Kunnossapito

VAARA

Sähköosien korjaustyöt saa tehdä ainoastaan ammattitaitoinen erikoiskorjaamo.

Tarkasta säännöllisin välein koneen ulkoisten osien sekä kaikkien käyttö- ja hallintalaitteiden kunto ja toiminta. Älä käytä konetta, jos sen osissa on vaurioita tai jos käyttö- ja hallintalaitteet eivät toimi moitteettomasti. Korjauta kone Hilti-huollossa.

8.5 Tarkastus huolto- ja kunnossapitotöiden jälkeen

Koneen huolto- ja kunnossapitotöiden jälkeen on tarkastettava, että kaikki suojarusteet on asennettu oikein ja että ne toimivat moitteettomasti.

9 Vianmääritys

Vika	Mahdollinen syy	Korjaus
Kone ei toimi.	Akkua ei ole kunnolla paikallaan tai akku on tyhjä.	Akkua pitää lukittua paikalleen kuultavasti kaksi kertaa naksahdusta, tai akku on ladattava.

Vika	Mahdollinen syy	Korjaus
Kone ei toimi.	Sähköinen vika.	Irrota akku koneesta ja hakeudu Hilti-huoltoon.
Kone ei toimi ja LED-merkkivalo 1 vilkkuu.	Akku on tyhjentynyt.	Vaihda akku ja lataa tyhjentynyt akku.
	Akku liian kuuma tai liian kylmä.	Anna akun jäähtyä tai lämmitä suositeltuun käyttölämpötilaan.
Kone ei toimi ja kaikki 4 LED-merkkivaloa vilkkuvat.	Kone hetkellisesti ylikuormitettu.	Vapauta käyttökytkin ja paina uudelleen.
	Ylikuumentumisuoja.	Anna koneen jäähtyä. Puhdista tuuletusraot.
Käyttökytkintä ei saa painettua tai se on lukittunut.	Suunnanvaihtokytkin keskiasennossa (kuljetusasento)	Paina suunnanvaihtokytkin vasemmalle tai oikealle.
Kierrosluku laskee yhtäkkiä runsaasti.	Akku on tyhjentynyt.	Vaihda akku ja lataa tyhjentynyt akku.
Akku tyhjenee tavallista nopeammin.	Akun kunto ei optimaalinen.	Tarkastuta Hilti-huollossa tai vaihda akku.
Akku ei lukitu paikalleen kuultavasti kaksi kertaa naksauttaen.	Akun korvakkeet liikaantuneet.	Puhdista korvakkeet ja lukitse akku paikalleen. Jos ongelma ei poistunut, hakeudu Hilti-huoltoon.
Kone tai akku kuumenee voimakkaasti.	Sähköinen vika.	Kytke kone heti pois päältä, irrota akku koneesta ja hakeudu Hilti-huoltoon.
	Kone on ylikuormittunut (käyttökuormitusraja ylittynyt).	Valitse työtehtävään sopiva kone.

10 Hävittäminen

VAROITUS

Koneen virheellinen hävittäminen saattaa aiheuttaa seuraavaa: Muoviosien polttamisessa syntyy myrkyllisiä kaasuja, jotka voivat johtaa sairastumisiin. Paristot ja akut saattavat vaurioituaessaan tai kuumentuessaan räjähtää, jolloin ne saattavat aiheuttaa myrkytyksen, palovammoja, syöpymisvammoja ja ympäristön saastumisen. Huolimattomasti hävitetty kone saattaa joutua asiattomien henkilöiden käyttöön, jotka voivat käyttää konetta väärin. He saattavat aiheuttaa vammoja itselleen tai toisille ja saastuttaa ympäristöä.

VAROITUS

Hävitä vialliset akut viipymättä. Pidä ne poissa lasten ulottuvilta. Älä pura akkua äläkä polta sitä.

VAROITUS

Hävitä vanhat akut maakohtaisten ympäristönsuojelumääräysten mukaisesti tai toimita vanhat akut Hiltille hävitettäväksi.



Hilti-koneet ja -laitteet on pääosin valmistettu kierrätyskelpoisista materiaaleista. Kierrätyksen edellytys on materiaalien asianmukainen erottelu. Hilti (Suomi) Oy ottaa vanhat työkalut kierrätettäväksi. Lisätietoja saat Hilti-asiakaspalvelusta tai Hilti-myyntiedustajalta.



Koskee vain EU-maita

Älä hävitä sähköjätettä tavallisen sekajätteen mukana!

Sähkö- ja elektroniikkalaiteromua koskevan EU-direktiivin ja sen maakohtaisten sovellusten mukaisesti käytetyt sähkölaitteet ja akut on toimitettava erilliskeräyspisteeseen ja ohjattava ympäristöystävälliseen kierrätykseen.

11 Valmistajan myöntämä takuu

Hilti takaa, ettei toimitetussa tuotteessa ole materiaali- tai valmistusvikoja. Tämä takuu on voimassa edellyttäen, että tuotetta käytetään, käsitellään, hoidetaan ja puhdistetaan Hiltin käyttöohjeen mukaisesti oikein, ja että tuotteen tekninen kokonaisuus säilyy muuttumattomana, ts. että tuotteessa käytetään ainoastaan alkuperäisiä Hilti-kulutusaineita ja -lisävarusteita sekä -varaosia.

Tämä takuu kattaa viallisten osien veloituksettomana korjauksen tai vaihdon tuotteen koko käyttöajan ajan. Osat, joihin kohdistuu normaalia kulumista, eivät kuulu tämän takuun piiriin.

Mitään muita vaateita ei hyväksytä, paitsi silloin kun tällainen vastuun rajoitus on laillisesti tehoton. Hilti ei vastaa suorista, epäsuorista, satunnais- tai seurausvahingoista, menetyksistä tai kustannuksista, jotka aiheutuvat tuotteen käytöstä tai soveltumattomuudesta käyttötarkoitukseen. Hilti ei myöskään takaa tuotteen myyntikelpoisuutta tai sopivuutta tiettyyn tarkoitukseen.

Korjausta tai vaihtoa varten tuote ja/tai kyseiset osat on viipymättä vian toteamisen jälkeen toimitettava lähimpään Hilti-huoltoon.

Tämä takuu kattaa kaikki takuuvaihto- ja korjauspalvelut Hiltin puolelta ja korvaa kaikki takuita koskevat aikaisemmat tai samanaikaiset selvitykset ja kirjalliset tai suulliset sopimukset.

12 EU-vaatimustenmukaisuusvakuutus (originaali)

Nimi:	Iskevä akkumutteriväännin
Tyypimerkintä:	SIW 22T-A
Sukupolvi:	01
Suunnitteluvuosi:	2013

Vakuutamme, että tämä tuote täyttää seuraavien direktiivien ja normien vaatimukset: EN 60745-1, EN 60745-2-2, 2006/42/EY, 2004/108/EY, 2006/66/EY, 2011/65/EY, EN ISO 12100.

Hilti Corporation, Feldkircherstrasse 100, FL-9494 Schaan

Paolo Luccini
Head of BA Quality and Process Management
Business Area Electric Tools & Accessories
06/2013

Jan Doongaji
Executive Vice President
Business Unit Power Tools & Accessories
06/2013

Tekninen dokumentaatio:

Hilti Entwicklungsgesellschaft mbH
Zulassung Elektrowerkzeuge
Hiltistrasse 6
86916 Kaufering
Deutschland

ОРИГИНАЛЬНОЕ РУКОВОДСТВО ПО ЭКСПЛУАТАЦИИ

Аккумуляторный ударный гайковёрт SIW 22T-A

Перед началом работы обязательно изучите руководство по эксплуатации.

Всегда храните данное руководство по эксплуатации рядом с инструментом.

При смене владельца обязательно передайте руководство по эксплуатации вместе с инструментом.

ru

Содержание

1	Общие указания	82
2	Описание	83
3	Принадлежности	85
4	Технические характеристики	85
5	Указания по технике безопасности	86
6	Подготовка к работе	91
7	Эксплуатация	92
8	Уход и техническое обслуживание	93
9	Поиск и устранение неисправностей	95
10	Утилизация	95
11	Гарантия производителя	96
12	Декларация соответствия нормам ЕС (оригинал)	96

1 Цифрами обозначены соответствующие иллюстрации. Иллюстрации к тексту расположены на разворотах. Используйте их при изучении руководства.

В тексте настоящего руководства по эксплуатации термин «инструмент» всегда обозначает аккумуляторный ударный гайковёрт SIW 22T-A с присоединяемым аккумулятором.

Органы управления и компоненты инструмента **1**

- 1 Зажимной патрон
- 2 Основной выключатель (с электронной регулировкой частоты вращения)
- 3 Переключатель левого/правого вращения с блокировкой включения
- 4 Кнопки блокировки с дополнительной функцией активирования индикатора уровня заряда аккумулятора
- 5 Заводская табличка
- 6 Индикатор уровня заряда и неисправности (литий-ионный аккумулятор)
- 7 Крепёжный крючок (опция)

1 Общие указания

1.1 Сигнальные сообщения и их значения

ОПАСНО

Общее обозначение непосредственной опасной ситуации, которая может повлечь за собой тяжёлые травмы или представлять угрозу для жизни.

ВНИМАНИЕ

Общее обозначение потенциально опасной ситуации, которая может повлечь за собой тяжёлые травмы или представлять угрозу для жизни.

ОСТОРОЖНО

Общее обозначение потенциально опасной ситуации, которая может повлечь за собой лёгкие травмы или повреждение оборудования.

УКАЗАНИЕ

Указания по эксплуатации и другая полезная информация.

1.2 Обозначение пиктограмм и другие обозначения

Предупреждающие знаки



Опасность



Опасность поражения электрическим током



Едкие вещества

Предписывающие знаки



Используйте защитные очки



Используйте защитную каску



Используйте защитные наушники



Используйте защитные перчатки



Используйте респиратор

Символы



Перед началом работы прочтите руководство по эксплуатации



Направьте отработанные материалы на переработку



Вольт



Постоянный ток

n_0

Номинальная частота вращения на холостом ходу

/min

Оборотов в минуту

Расположение идентификационных данных на инструменте

Тип инструмента указан на заводской табличке, а серийный номер сбоку на корпусе электродвигателя. Занесите эти данные в настоящее руководство по эксплуатации. Они необходимы при сервисном обслуживании инструмента и консультациях по его эксплуатации.

Тип:

Поколение: 01

Серийный номер:

2 Описание

2.1 Использование инструмента по назначению

SIW 22T-A представляет собой ручной аккумуляторный ударный гайковёрт. Он предназначен для заворачивания/выворачивания гаек и болтов, дюбелей и шурупов по дереву.

Использовать опасные для здоровья материалы (например, асбест) запрещается.

Также соблюдайте национальные требования охраны труда.

Не подключайте аккумуляторы к другим устройствам.

Внесение изменений в конструкцию инструмента и его модификация запрещаются.

Во избежание травм персонала и повреждения инструмента используйте только оригинальные принадлежности и инструменты производства Hilti.

Инструмент не предназначен для работ, при выполнении которых требуется точное соблюдение крутящего момента. При использовании инструмента для работ, при выполнении которых требуется точное соблюдение крутящего момента или

запрещается превышение максимального крутящего момента, существует опасность перекручивания и повреждения шурупа или обрабатываемой детали. В этих случаях должен использоваться инструмент с четко регулируемым крутящим моментом. Соблюдайте указания по эксплуатации, уходу и техническому обслуживанию инструмента, приведенные в настоящем руководстве по эксплуатации.

Инструмент предназначен для профессионального использования, поэтому может обслуживаться и ремонтироваться только уполномоченным персоналом. Персонал должен пройти специальный инструктаж по технике безопасности. Использование инструмента не по назначению или его эксплуатация необученным персоналом представляют опасность.

Возможные области и варианты использования инструмента: строительная площадка, мастерская, выполнение ремонтных работ разных типов.

2.2 Зажимное устройство

Зажимной патрон с наружным четырехгранником 1/2" с полусферой

Зажимной патрон с наружным четырехгранником 3/4" с блокировкой стопорным штифтом

2.3 Переключатели/выключатели

Основной выключатель с электронной регулировкой частоты вращения

Переключатель левого/правого вращения с блокировкой включения

2.4 В комплект поставки в чемодане входят:

- 1 Инструмент
- 1 Руководство по эксплуатации
- 1 Чемодан Hilti

2.5 В комплект поставки в картонной упаковке входят:

- 1 Инструмент
- 1 Руководство по эксплуатации

2.6 Что еще необходимо для эксплуатации инструмента

Один аккумуляторный блок В 22/2.6 Li-Ion или В 22/3.3 Li-Ion с зарядным устройством С4/36-90 или С4/36-350 или С 4/36 или С 4/36-ACS или С 4/36-ACS TPS.

2.7 Индикатор уровня заряда и перегрева литий-ионного аккумуляторного блока

Светодиод горит непрерывно	Светодиод мигает	Уровень заряда С
Светодиод 1, 2, 3, 4	-	С ≥ 75 %
Светодиод 1, 2, 3	-	50 % ≤ С < 75 %
Светодиод 1, 2	-	25 % ≤ С < 50 %
Светодиод 1	-	10 % ≤ С < 25 %
-	Светодиод 1	С < 10 %
-	Светодиод 1	Аккумулятор перегрет

2.8 Индикатор перегрузки и перегрева инструмента

Инструмент оснащен электронной системой защиты от перегрузки и перегрева (электродвигателя). При перегрузке и перегреве инструмент автоматически выключается. Кратковременное отпускание и последующее нажатие основного выключателя могут привести к задержкам включения (обусловленные фазами охлаждения инструмента).

Светодиод горит непрерывно	Светодиод мигает	Состояние инструмента
-	Светодиод 1, 2, 3, 4	Инструмент перегружен или перегрет

3 Принадлежности

Наименование	Условные обозначения
Набор насадок	S-NSD и SV
Зарядное устройство для аккумуляторов Li-Ion	C 4/36
Зарядное устройство для аккумуляторов Li-Ion	C 4/36-ACS
Зарядное устройство для аккумуляторов Li-Ion	C 4/36-ACS TPS
Зарядное устройство для литий-ионного аккумуляторного блока	C 4/36-90
Зарядное устройство для литий-ионного аккумуляторного блока	C 4/36-350
Аккумуляторный блок	B 22/3.3 Li-Ion
Аккумулятор	B 22/2.6 Li-Ion
Аккумулятор	B 22/1.6 Li-Ion
Крепежный крючок	

ru

4 Технические характеристики

Производитель оставляет за собой право на внесение технических изменений!

Инструмент	SIW 22T-A 1/2"	SIW 22T-A 3/4"
Номинальное напряжение (постоянное напряжение)	21,6 В	21,6 В
Масса согласно методу ЕРТА 01/2003	3 кг	3,2 кг
Размеры (Д x Ш x В)	232 мм x 94 мм x 258 мм	251 мм x 94 мм x 258 мм
Расчетная частота вращения без нагрузки	0...2000/min	0...2000/min
Частота ударов	Макс. 2500/min	Макс. 2500/min
Крутящий момент	450 Нм	450 Нм
Стандартный винт	M12-M24	M12-M24
Высокопрочный винт	M8-M16	M8-M16
Зажимной патрон	1/2" наружный четырехгранник с полусферой	3/4" наружный четырехгранник с фиксатором
Регулировка частоты вращения	электронная, с помощью основного выключателя	электронная, с помощью основного выключателя
Вращение влево/вправо (реверс)	электр. переключатель с блокировкой переключения во время работы	электр. переключатель с блокировкой переключения во время работы
Защита от глубокого разряда	да	да

УКАЗАНИЕ

Данные о шуме (измерения согласно EN 60745-1):

Инструмент	SIW 22T-A 1/2"	SIW 22T-A 3/4"
A-скорректированное значение уровня шума	108 дБ (A)	111 дБ (A)
A-скорректированное значение уровня звукового давления	97 дБ (A)	100 дБ (A)

Инструмент	SIW 22T-A 1/2"	SIW 22T-A 3/4"
Погрешность приведенных выше показателей уровня шума	3 дБ (А)	3 дБ (А)

УКАЗАНИЕ

Указанный в настоящих инструкциях уровень вибрации установлен с помощью метода измерения по EN 60745 и может использоваться для сравнения с другими электроинструментами. Он также подходит для предварительной оценки вибрационной нагрузки. Указанный уровень вибрации фактически соответствует областям применения электроинструмента. Однако если электроинструмент используется для других целей, с другими рабочими инструментами или в случае его неудовлетворительного техобслуживания, уровень вибрации может быть иным. Вследствие этого в течение всего периода работы инструмента возможно значительное увеличение вибрационной нагрузки. Для точного определения вибрационной нагрузки следует также учитывать промежутки времени, в течение которых инструмент находится в выключенном состоянии или работает вхолостую. Вследствие этого в течение всего периода работы инструмента возможно значительное уменьшение вибрационной нагрузки. Примите дополнительные меры безопасности для защиты оператора от воздействия возникающей вибрации, например техническое обслуживание электроинструмента и рабочих инструментов, сохранение тепла рук, правильная организация рабочих процессов.

Дополнительная информация согласно EN 60745

Значения вибрации по трем осям (векторная сумма)	измерения согласно EN 60745-2-2
Заворачивание (с ударом) крепежных элементов максимального размера для инструмента 1/2", a _h	14,5 м/с ²
Заворачивание (с ударом) крепежных элементов максимального размера для инструмента 3/4", a _h	14,2 м/с ²
Погрешность (К)	1,5 м/с ²

Аккумуляторный блок	B 22/3.3 Li-Ion	B 22/2.6 Li-Ion	B 22/1.6 Li-Ion
Номинальное напряжение	21,6 В	21,6 В	21,6 В
Емкость аккумуляторного блока	3,3 Ач	2,6 Ач	1,6 Ач
Масса	0,78 кг	0,78 кг	0,48 кг
Контроль температуры при зарядке	да	да	да
Контроль температуры при разрядке	да	да	да
Тип	Литий-ионный	Литий-ионный	Литий-ионный
Количество элементов в блоке	12 шт.	12 шт.	6 шт.
Энергетическая емкость	71,28 Вт/ч	56,16 Вт/ч	34,56 Вт/ч

5 Указания по технике безопасности

УКАЗАНИЕ

Приведенные в следующей главе указания по технике безопасности включают в себя все общие меры безопасности при эксплуатации электроинструментов, приводимые в данном руководстве по эксплуатации согласно принятым нормам. В связи с этим возможно наличие указаний, не относящихся к данному инструменту.

5.1 Общие указания по технике безопасности для электроинструментов

a) ВНИМАНИЕ

Прочтите все указания по мерам безопасности и инструкции. Невыполнение приведенных ниже указаний может привести к поражению электрическим током, пожару и/или вызвать тяжелые травмы. **Сохраните все указания по технике безопасности и инструкции для следующего пользователя.** Используемый далее термин «электроинструмент» относится к электроинструменту, работающему от электрической сети (с сетевым кабелем) и от аккумулятора (без сетевого кабеля).

ru

5.1.1 Безопасность рабочего места

- a) **Следите за чистотой и порядком на рабочем месте.** Беспорядок на рабочем месте и плохое освещение могут привести к несчастным случаям.
- b) **Не используйте электроинструмент во взрывоопасной зоне, где имеются горючие жидкости, газы или пыль.** При работе электроинструмент искрит, и искры могут воспламенить пыль или пары.
- c) **Не разрешайте детям и посторонним приближаться к работающему электроинструменту.** Отвлекаясь от работы, можно потерять контроль над электроинструментом.

5.1.2 Электрическая безопасность

- a) **Соединительная вилка электроинструмента должна соответствовать розетке электросети. Не изменяйте конструкцию вилки. Не используйте переходные вилки с электроинструментами с защитным заземлением.** Оригинальные вилки и соответствующие им розетки снижают риск поражения электрическим током.
- b) **Избегайте непосредственного контакта с заземлёнными поверхностями, например с трубами, отопительными приборами, печами (плитами) и холодильниками.** При соприкосновении с заземлёнными предметами возникает повышенный риск поражения электрическим током.
- c) **Предохраняйте электроинструменты от дождя или воздействия влаги.** В результате попадания воды в электроинструмент возрастает риск поражения электрическим током.
- d) **Не используйте кабель не по назначению, например, для переноски электроинструмента, его подвешивания или для выдёргивания вилки из розетки электросети. Защищайте кабель от воздействий высоких температур, масла, острых кромок или вращающихся узлов электроинструмента.** В результате повреждения или схлёстывания кабеля повышается риск поражения электрическим током.
- e) **Если работы выполняются на открытом воздухе, применяйте только удлинительные кабели, которые разрешено использовать вне помещений.** Применение удлинительного кабеля, пригодного для использования вне помещений, снижает риск поражения электрическим током.
- f) **Если нельзя избежать работы с электроинструментом в условиях влажности, используйте автомат защиты от тока утечки.** Использование автомата защиты от тока утечки снижает риск поражения электрическим током.

5.1.3 Безопасность персонала

- a) **Будьте внимательны, следите за своими действиями и серьезно относитесь к работе с электроинструментом. Не пользуйтесь электроинструментом, если вы устали или находитесь под действием наркотиков, алкоголя или медикаментов.** Незначительная ошибка при невнимательной работе с электроинструментом может стать причиной серьёзного травмирования.
- b) **Применяйте индивидуальные средства защиты и всегда обязательно надевайте защитные очки.** Использование индивидуальных средств защиты, например, респиратора, обуви на нескользящей подошве, защитной каски или защитных наушников, в зависимости от вида и условий эксплуатации электроинструмента, снижает риск травмирования.
- c) **Избегайте непреднамеренного включения электроинструмента. Убедитесь в том, что электроинструмент вы-**

ключен, прежде чем подключить его к электропитанию и/или вставить аккумулятор, поднимать или переносить его. Ситуации, когда при переноске электроинструмента пальцы находятся на выключателе или когда включенный электроинструмент подключается к сети, могут привести к несчастным случаям.

- d) **Перед включением электроинструмента удалите регулировочные устройства и гаечный ключ.** Инструмент или ключ, находящийся во вращающейся части электроинструмента, может привести к травмам.
- e) **Старайтесь избегать неестественных поз при работе. Постоянно сохраняйте устойчивое положение и равновесие.** Это позволит лучше контролировать электроинструмент в непредвиденных ситуациях.
- f) **Носите спецодежду. Не надевайте очень свободной одежды или украшений. Оберегайте волосы, одежду и перчатки от вращающихся узлов электроинструмента.** Свободная одежда, украшения и длинные волосы могут быть захвачены ими.
- g) **Если предусмотрено подсоединение устройств для сбора и удаления пыли, убедитесь, что они подсоединены и используются по назначению.** Использование модуля пылеудаления снижает вредное воздействие пыли.

ru

5.1.4 Использование и обслуживание электроинструмента

- a) **Не допускайте перегрузки электроинструмента. Используйте электроинструмент, предназначенный именно для данной работы.** Соблюдение этого правила обеспечит более высокое качество и безопасность работы в указанном диапазоне мощности.
- b) **Не используйте электроинструмент с неисправным выключателем.** Электроинструмент, включение или выключение которого затруднено, представляет опасность и должен быть отремонтирован.
- c) **Прежде чем приступить к регулировке электроинструмента, замене принадлежностей или перед перерывом в работе, выньте вилку из розетки и/или аккумулятор из электроинструмента.** Эта мера предосторожности предотвращает случайное включение электроинструмента.
- d) **Храните неиспользуемые электроинструменты в местах, недоступных для детей. Не давайте электроинструмент лицам, которые не умеют им пользоваться или не прочитали настоящих указаний.** Электроинструменты представляют собой опасность в руках неопытных пользователей.
- e) **Бережно обращайтесь с электроинструментами. Проверяйте безупречное функционирование подвижных частей, лёгкость их хода, целостность и отсутствие повреждений, которые могли бы отрицательно повлиять на работу электроинструмента. Сдавайте повреждённые части инструмента в ремонт до его использования.** Причиной многих несчастных случаев является несоблюдение правил технического обслуживания электроинструментов.
- f) **Необходимо следить за тем, чтобы режущие инструменты были острыми и чистыми.** Заклинивание содержащихся в рабочем состоянии режущих инструментов происходит реже, ими легче управлять.
- g) **Применяйте электроинструмент, принадлежности, вспомогательные устройства и т. д. согласно указаниям. Учитывайте при этом рабочие условия и характер выполняемой работы.** Использование электроинструментов не по назначению может привести к опасным ситуациям.

5.1.5 Использование и обслуживание аккумуляторного инструмента

- a) **Заряжайте аккумуляторы только при помощи зарядных устройств, рекомендованных изготовителем.** При использовании зарядного устройства для зарядки несоответствующих ему типов аккумуляторов возможна опасность возгорания.
- b) **Используйте только оригинальные аккумуляторы, рекомендованные специально для этого инструмента.** Ис-

пользование других аккумуляторов может привести к травмам и опасности возгорания.

- c) **Неиспользуемые аккумуляторы храните вдали от скрепок, монет, ключей, иголок, винтов и других мелких металлических предметов, которые могут стать причиной замыкания контактов.** Замыкание контактов аккумулятора может привести к ожогам или возгоранию.
- d) **При неверном обращении с аккумулятором из него может вытечь электролит. Избегайте контакта с ним. При случайном контакте смойте водой. При попадании электролита в глаза немедленно обратитесь за помощью к врачу.** Вытекший из аккумулятора электролит может привести к раздражению кожи или ожогам.

5.1.6 Сервис

- a) **Доверяйте ремонт своего электроинструмента только квалифицированному персоналу, использующему только оригинальные запчасти.** Этим обеспечивается поддержание электроинструмента в безопасном и исправном состоянии.

5.2 Дополнительные указания по технике безопасности

5.2.1 Безопасность персонала

- a) **При опасности повреждения заворачиваемым шурупом скрытой электропроводки держите электроинструмент за изолированные поверхности.** При контакте шурупа с токопроводящими предметами незащищенные металлические части инструмента находятся под напряжением, что может привести к поражению электрическим током.
- b) **Надевайте защитные наушники.** В результате воздействия шума возможна потеря слуха.
- c) **Если инструмент используется без устройств для удаления пыли, при работах с образованием пыли используйте защитные средства.**
- d) **Чтобы во время работы руки не затекали, делайте перерывы для расслабления и разминки пальцев.**
- e) **Не прикасайтесь к вращающимся деталям инструмента. Включайте инструмент только после того, как подведете его к рабочей зоне.** Прикосновение к вращающимся узлам, в особенности к вращающимся насадкам, может привести к травмам.
- f) **При хранении и транспортировке инструмента в чемодане активизируйте блокировку включения (переключатель левого/правого вращения должен находиться в среднем положении).**
- g) **Дети должны знать о том, что им запрещено играть с инструментом.**
- h) **Инструмент не предназначен для использования детьми или физически ослабленными лицами без соответствующего инструктажа.**
- i) **Пыль, возникающая при обработке материалов, содержащих свинец, некоторых видов древесины, минералов и металлов, может представлять собой опасность для здоровья. Вдыхание частиц такой пыли или контакт с ней может стать причиной появления аллергических реакций и/или заболеваний дыхательных путей. Некоторые виды пыли (например пыль, возникающая при обработке дуба или бука) считаются канцерогенными, особенно в комбинации с дополнительными материалами, используемыми для обработки древесины (соль хромовой кислоты, средства защиты древесины). Обработка материалов с содержанием асбеста должна выполняться только специалистами. По возможности используйте подходящий пылеотсасывающий аппарат. Для оптимального удаления пыли используйте этот электроинструмент в комбинации с подходящим переносным пылесосом, рекомендованным Hilti для уборки древесных опилок и/или минеральной пыли. Обеспечьте хорошую вентиляцию рабочей зоны. Рекомендуется носить респиратор с фильтром класса P2. Соблюдайте действующие национальные предписания по обработке материалов.**

5.2.2 Аккуратное обращение с электроинструментом и его правильная эксплуатация

- a) **Надежно фиксируйте заготовку. Для фиксации заготовки используйте струбцины или тиски.** Это надежнее,

чем удерживать ее рукой, и при этом можно держать инструмент двумя руками.

- b) **Убедитесь, что инструменты имеют подходящие к патрону хвостовики и надежно фиксируются в патроне.**
- c) **Убедитесь в том, что шурупы и обрабатываемая деталь соответствуют крутящему моменту, производимому инструментом.** При слишком высоком крутящем моменте возможна перегрузка, растяжение или повреждение шурупов или обрабатываемой детали и, как следствие этого, возникновение опасных ситуаций или травмирование.

5.2.3 Аккуратное обращение с аккумуляторными инструментами и их правильное использование

- a) **Храните аккумуляторы вдали от источников огня и высокой температуры.** Существует опасность взрыва.
- b) **Запрещается разбирать, сдавливать, нагревать до температуры более 80 °C или сжигать аккумуляторы.** В противном случае существует опасность возгорания и взрыва, а также ожога едкой жидкостью, находящейся в аккумуляторе.
- c) **Не используйте никакие другие аккумуляторы, кроме допущенных к эксплуатации с соответствующим инструментом.** При использовании других аккумуляторов или же при использовании аккумуляторов в иных целях существует опасность возгорания и взрыва.
- d) **Соблюдайте специальные предписания по транспортировке, хранению и эксплуатации аккумуляторов Li-Ion.**
- e) **Поврежденные аккумуляторы (например, аккумуляторы с царапинами, сломанными частями, погнутыми, вдавленными и/или вытянутыми контактами) заряжать и использовать повторно запрещается.**
- f) Слишком сильный нагрев аккумулятора (такой, что до него невозможно дотронуться) указывает на его возможный дефект. **Установите инструмент в пожаробезопасном месте на достаточном расстоянии от воспламеняющихся материалов, где вы сможете контролировать ситуацию. Дайте инструменту остыть. После того, как аккумулятор остынет, свяжитесь с сервисной службой Hilti.**

5.2.4 Электрическая безопасность



Перед началом работы проверяйте рабочее место на наличие скрытой электропроводки, газовых и водопроводных труб, например, при помощи металлоискателя. Открытые металлические части инструмента могут стать проводниками электрического тока, если случайно задеть электропроводку. При этом возникает опасность поражения электрическим током.

5.2.5 Рабочее место

- a) **Обеспечьте хорошее освещение рабочего места.**
- b) **Обеспечьте хорошую вентиляцию рабочей зоны.** Плохо проветриваемая рабочая зона может стать причиной ухудшения самочувствия из-за высокой концентрации пыли.

5.2.6 Индивидуальные средства защиты



При работе с инструментом работающий и находящиеся в непосредственной близости лица должны надевать соответствующие защитные очки, защитный шлем, защитные наушники, защитные перчатки и легкий респиратор.



6.1 Бережное обращение с аккумуляторами

УКАЗАНИЕ

При низких температурах емкость аккумуляторов уменьшается. Не разряжайте аккумулятор до полной остановки инструмента. Своевременно заменяйте разряженный аккумулятор на другой. Немедленно заряжайте аккумулятор для последующей замены.

Храните аккумулятор в сухом и прохладном месте. Никогда не оставляйте аккумулятор на солнце, на отопительных приборах, за стеклом. По истечении срока службы аккумулятор следует утилизировать без ущерба для окружающей среды и здоровья человека.

6.2 Зарядка аккумулятора



ОСТОРОЖНО

Используйте только фирменные зарядные устройства Hilti, перечисленные в гл. "Инструменты и принадлежности".

6.2.1 Первоначальная зарядка нового аккумулятора

Перед первым вводом в эксплуатацию полностью зарядите аккумуляторы.

6.2.2 Зарядка бывшего в употреблении аккумулятора

Перед тем как вставить аккумулятор в зарядное устройство, убедитесь, что его внешняя поверхность чистая и сухая.

Перед зарядкой прочтите руководство по эксплуатации зарядного устройства.

Литий-ионные аккумуляторы готовы к работе в любой момент, даже в частично заряженном состоянии. Ход зарядки отображается с помощью светодиодов (см. руководство по эксплуатации зарядного устройства).

6.3 Установка аккумулятора

ОСТОРОЖНО

Перед установкой аккумулятора убедитесь, что инструмент выключен и заблокирован от включения (переключатель левого/правого вращения находится в среднем положении). Используйте только аккумуляторы Hilti, подходящие для Вашего инструмента.

ОСТОРОЖНО

Перед установкой аккумуляторного блока убедитесь в том, что его контакты и контакты в устройстве/инструменте чистые.

1. Вставьте аккумулятор сзади в инструмент до упора так, чтобы он зафиксировался с характерным двойным щелчком.
2. **ОСТОРОЖНО** Если аккумулятор установлен неправильно, во время работы он может выпасть.

ОСТОРОЖНО Выпадение аккумуляторного блока может представлять опасность для вас и/или других лиц.

Перед началом работы проверьте надёжность установки аккумулятора в инструменте.

6.4 Снятие аккумулятора 2

1. Нажмите на обе кнопки-деблокираторы.
2. Извлеките аккумулятор из инструмента.

6.5 Транспортировка и хранение аккумуляторов

Установите аккумулятор из положения блокировки (рабочее положение) в первое фиксированное положение (положение для транспортировки).

При отсоединении аккумулятора от инструмента перед транспортировкой или закладкой на хранение убедитесь в отсутствии

возможности короткого замыкания его контактов. Удалите из чемодана, ящика для инструментов или переносного контейнера металлические детали, например болты, гвозди, скобы, биты, куски проволоки, металлическую стружку и т. п., или примите меры по защите аккумуляторов от контакта с этими деталями.

При пересылке аккумуляторов (автомобильным, железнодорожным, воздушным или морским транспортом) соблюдайте действующие национальные и международные правила транспортировки.

7 Эксплуатация

ru



7.1 Смена рабочего инструмента

УКАЗАНИЕ

Для фиксации рабочей оснастки инструмент оснащен зажимным патроном с наружным четырехгранником $\frac{1}{2}$ " с полусферой или зажимным патроном с наружным четырехгранником $\frac{3}{4}$ " с блокировкой стопорным штифтом.

7.1.1 Смена рабочих инструментов: зажимной патрон с наружным четырехгранником $\frac{1}{2}$ " с полусферой

УКАЗАНИЕ

Выровняйте боковое отверстие в зажимной втулке относительно полусферы на хвостовике зажимного патрона; в противном случае не будет обеспечена надежная фиксация рабочего инструмента.

7.1.1.1 Монтаж зажимной втулки (инструмент) 3

1. Переведите переключатель левого/правого вращения в среднее положение или отсоедините аккумулятор от инструмента.
2. Выровняйте боковое отверстие в зажимной втулке относительно полусферы на хвостовике зажимного патрона.
3. Нажмите на втулку, пока она не зафиксируется на хвостовике зажимного патрона.

7.1.1.2 Демонтаж зажимной втулки (инструмент) 4

1. Переведите переключатель левого/правого вращения в среднее положение или отсоедините аккумулятор от инструмента.
2. Снимите зажимную втулку с хвостовика патрона.

7.1.2 Смена рабочих инструментов: зажимной патрон с наружным четырехгранником $\frac{3}{4}$ " с блокировкой стопорным штифтом

7.1.2.1 Монтаж зажимной втулки (инструмент) 5

1. Переведите переключатель левого/правого вращения в среднее положение или отсоедините аккумулятор от инструмента.
2. Извлеките кольцо круглого сечения из паза зажимной втулки.
3. Выньте стопорный штифт.
4. Установите зажимную втулку на четырехгранник привода инструмента.

УКАЗАНИЕ Убедитесь в том, что отверстия под стопорный штифт на четырехграннике привода и зажимной втулке совпадают.

5. Сначала установите стопорный штифт, а затем кольцо круглого сечения для фиксации на зажимную втулку.

7.1.2.2 Демонтаж зажимной втулки (инструмент) 6

1. Переведите переключатель левого/правого вращения в среднее положение или отсоедините аккумулятор от инструмента.
2. Извлеките кольцо круглого сечения из паза зажимной втулки.
3. Выньте стопорный штифт.

4. Снимите зажимную втулку с четырехгранника привода инструмента.
5. Сначала установите стопорный штифт, а затем кольцо круглого сечения для фиксации на зажимную втулку.

7.2 Установка правого/левого вращения 7

УКАЗАНИЕ

С помощью переключателя левого/правого вращения можно реверсировать направление вращения шпинделя. Переключению при работающем электродвигателе препятствует блокировочный механизм. В среднем положении переключателя основной выключатель заблокирован. Сдвиг переключателя вправо (по направлению рабочего хода инструмента) = правое вращение. Сдвиг переключателя влево (по направлению рабочего хода инструмента) = левое вращение.

ru

7.3 Включение/выключение

Путем медленного нажатия на пусковой выключатель можно плавно регулировать частоту вращения от 0 до максимального числа оборотов.

7.4 Заворачивание

ВНИМАНИЕ

Убедитесь в том, что шурупы и обрабатываемая деталь соответствуют крутящему моменту, производимому инструментом. При слишком высоком крутящем моменте возможна перегрузка, растяжение или повреждение шурупов или обрабатываемой детали и, как следствие этого, возникновение опасных ситуаций или травмирование.

Выберите нужное направление вращения с помощью переключателя левого/правого вращения.

7.5 Проверка показаний индикатора уровня зарядки аккумулятора Li-Ion 8

УКАЗАНИЕ

Во время работы вызов индикации уровня зарядки невозможен. Светодиод 1 мигает только в случае полной разрядки или слишком сильного нагревания аккумулятора (температура >80 °C). В этом случае аккумулятор следует вставить в зарядное устройство. Мигание всех 4 светодиодов сигнализирует о перегрузке или перегреве инструмента.

Аккумулятор Li-Ion оснащен индикатором уровня зарядки. На этом индикаторе отображается уровень зарядки во время процесса зарядки (см. главу «Уровень зарядки аккумулятора Li-Ion»). В нерабочем состоянии индикация уровня зарядки выполняется с помощью четырех светодиодов, которые загораются на три секунды после нажатия одной из кнопок блокировки, расположенных на аккумуляторе.

7.6 Крепежный крючок 9

ОСТОРОЖНО

Перед началом работы убедитесь в том, что крепежный крючок надёжно закреплён.

С помощью крепежного крючка инструмент можно закрепить и носить на ремне. Дополнительное преимущество для левшей: крепежный крючок можно переставить на другую сторону инструмента.

1. Извлеките аккумуляторный блок из инструмента.
2. Вставьте пластину с резьбой в предназначенную для нее направляющую.
3. Закрепите крепежный крючок с помощью двух винтов.

8 Уход и техническое обслуживание

ОСТОРОЖНО

Во избежание случайного включения инструмента перед очисткой снимите аккумулятор!

8.1 Уход за рабочими инструментами

Удаляйте скопившуюся грязь с рабочих инструментов и защищайте их от коррозии, протирая смазанной маслом протирочной тканью.

8.2 Уход за инструментом

ОСТОРОЖНО

Содержите инструмент, в особенности поверхности рукоятки, в чистом и сухом состоянии, без следов масла и смазки. Запрещается использовать чистящие средства, содержащие силикон.

Внешний корпус инструмента изготовлен из ударопрочной пластмассы. Накладка на корпусе изготовлена из эластомера. При работе не закрывайте вентиляционные прорезы в крышке корпуса! Очищайте вентиляционную прорезь сухой щеткой. Следите за тем, чтобы внутрь корпуса инструмента не попали посторонние предметы. Регулярно очищайте внешнюю поверхность инструмента влажной тканью. Запрещается использовать водяной распылитель, парогенератор или струю воды! После чистки такими средствами электробезопасность инструмента не обеспечивается.

8.3 Уход за литий-ионными аккумуляторами

Не допускайте попадания влаги.

Перед первым вводом в эксплуатацию полностью зарядите аккумуляторы.

Для максимального срока службы аккумулятора заряжайте его при заметном снижении мощности инструмента.

УКАЗАНИЕ

При дальнейшей эксплуатации инструмента происходит автоматическое прерывание разрядки (мигает светодиод 1 аккумулятора). Благодаря этому удаётся избежать повреждения его элементов.

Заряжайте литий-ионные аккумуляторы с помощью допущенных к эксплуатации зарядных устройств.

УКАЗАНИЕ

- Для никель-кадмиевых и никель-металлогидридных аккумуляторов проведение регенерации не требуется.
- Прерывание процесса зарядки аккумулятора не влияет на срок его службы.
- Процесс зарядки может быть начат в любое время. Это не влияет на срок службы аккумулятора. В отличие от никель-кадмиевых и никель-металлогидридных аккумуляторов у литий-ионных аккумуляторов отсутствует эффект памяти.
- Аккумуляторы лучше всего хранить в полностью заряженном состоянии в сухом и прохладном месте. Хранение аккумуляторов в условиях высокой температуры окружающей среды (например, за стеклом) приводит к сокращению срока их службы и повышению степени саморазряда их элементов.
- Причинами того, что аккумулятор не заряжается полностью, являются окисление или снижение ёмкости. Эксплуатация инструмента с таким аккумулятором допускается, но аккумулятор необходимо своевременно заменить на новый.

8.4 Техническое обслуживание

ВНИМАНИЕ

Ремонт электрической части инструмента поручайте только специалисту-электрику.

Регулярно проверяйте узлы инструмента на отсутствие повреждений, а также исправность всех элементов управления и компонентов. Эксплуатация прибора с поврежденными деталями или неисправными элементами управления запрещается. Обратитесь в сервисную службу Hilti.

8.5 Контроль после работ по уходу и техническому обслуживанию

После ухода за инструментом и его технического обслуживания убедитесь, что все защитные приспособления установлены и исправно функционируют.

9 Поиск и устранение неисправностей

Неисправность	Возможная причина	Способ устранения
Инструмент не работает.	Аккумулятор не полностью вставлен в гнездо или разряжен.	Аккумулятор должен зафиксироваться с характерным двойным щелчком или требуется зарядка аккумулятора.
	Неисправность электрики.	Выньте аккумулятор из инструмента и обратитесь в сервисный центр Hilti.
Инструмент не функционирует, мигает светодиод 1.	Аккумулятор разряжен.	Замените и зарядите разрядившийся аккумулятор.
	Аккумулятор слишком холодный или слишком горячий.	Снизьте/увеличьте температуру аккумулятора до рекомендованной рабочей температуры.
Инструмент не функционирует, мигают все 4 светодиода.	Кратковременная перегрузка инструмента.	Отпустите и снова нажмите основной выключатель.
	Сработала защита от перегрева.	Дайте инструменту остыть. Очистите вентиляционные прорези.
Не включается/заблокирован левый/правый основной выключатель.	Переключатель левый/правый вращения находится в среднем (транспортном) положении	Переведите переключатель левый/правый вращения в левое или правое положение.
Резко падает частота вращения.	Аккумулятор разряжен.	Замените и зарядите разрядившийся аккумулятор.
Аккумулятор разряжается быстрее обычного.	Состояние аккумулятора далеко от оптимального.	Проведите диагностику в сервисном центре Hilti или замените аккумулятор.
Аккумулятор не устанавливается в пазы с характерным защелкиванием.	Загрязнен стыковой выступ аккумулятора.	Очистите стыковой выступ и снова попытайтесь вставить аккумулятор в гнездо. Если неисправность не устранена, обратитесь в сервисную службу Hilti.
Сильный нагрев инструмента или аккумулятора.	Электрическая неисправность.	Немедленно выключите инструмент, выньте из него аккумулятор и обратитесь в сервисный центр Hilti.
	Инструмент перегружен (работа за пределами эксплуатационных характеристик).	Выбирайте инструмент для конкретной области применения.

10 Утилизация

ОСТОРОЖНО

Нарушение правил утилизации оборудования может иметь следующие последствия: при сжигании деталей из пластмассы образуются токсичные газы, которые могут представлять угрозу для здоровья. Если батареи питания повреждены или подвержены воздействию высоких температур, они могут взорваться и стать причиной отравления, возгораний, химических ожогов или загрязнения окружающей среды. При нарушении правил утилизации оборудование может попасть в руки посторонних лиц, не знакомых с правилами обращения с ним. Это может стать причиной их собственного серьезного травмирования.

ния, травмирования других лиц, а также причиной загрязнения окружающей среды.

ОСТОРОЖНО

Немедленно утилизируйте неисправные аккумуляторы. Храните их в недоступном для детей месте. Не разбирайте и не сжигайте аккумуляторы.

ОСТОРОЖНО

Производите утилизацию аккумуляторов в соответствии с национальными предписаниями или сдавайте отслужившие аккумуляторы в Hilti.



ru

Инструменты Hilti содержат большое количество материалов, пригодных для переработки. Перед утилизацией следует тщательно рассортировать материалы. Во многих странах компания Hilti уже заключила соглашения о приеме использованных инструментов для их утилизации. Дополнительную информацию по этому вопросу можно получить в отделе по обслуживанию клиентов или у технического консультанта компании Hilti.



Только для стран ЕС

Не выбрасывайте электроинструменты вместе с обычным мусором!

В соответствии с директивой ЕС об утилизации старых электрических и электронных устройств и в соответствии с местными законами электроинструменты и аккумуляторные батареи, бывшие в эксплуатации, должны утилизироваться отдельно безопасным для окружающей среды способом.

11 Гарантия производителя

Компания Hilti гарантирует отсутствие в поставляемом инструменте производственных дефектов (дефектов материалов и сборки). Настоящая гарантия действительна только в случае соблюдения следующих условий: эксплуатация, обслуживание и чистка инструмента проводятся в соответствии с указаниями настоящего руководства по эксплуатации; сохранена техническая целостность инструмента, т. е. при работе с ним использовались только оригинальные расходные материалы, принадлежности и запасные детали производства Hilti.

Настоящая гарантия предусматривает бесплатный ремонт или бесплатную замену дефектных деталей в течение всего срока службы инструмента. Действие настоящей гарантии не распространяется на детали, требующие ремонта или замены вследствие их естественного износа.

Все остальные претензии не рассматриваются, за исключением тех случаев, когда этого требует местное законодательство. В частности, компания Hilti не несет ответственности за прямой или косвенный ущерб, убытки или затраты, возникшие вследствие применения или невозможности применения данного инструмента в тех или иных целях. Нельзя использовать инструмент для выполнения не упомянутых работ.

При обнаружении дефекта инструмент и/или дефектные детали следует немедленно отправить для ремонта или замены в ближайшее представительство Hilti.

Настоящая гарантия включает в себя все гарантийные обязательства компании Hilti и заменяет все прочие обязательства и письменные или устные соглашения, касающиеся гарантии.

12 Декларация соответствия нормам ЕС (оригинал)

Обозначение:	Аккумуляторный ударный гайковёрт
Тип инструмента:	SIW 22T-A
Поколение:	01
Год выпуска:	2013

Компания Hilti со всей ответственностью заявляет, что данная продукция соответствует следующим директивам и нор-

мам: EN 60745-1, EN 60745-2-2, 2006/42/EC, 2004/108/EG, 2006/66/EC, 2011/65/EU, EN ISO 12100.

Hilti Corporation, Feldkircherstrasse 100, FL-9494 Schaan



Paolo Luccini
Head of BA Quality and Process
Management
Business Area Electric Tools & Accessories
06/2013



Jan Doongaji
Executive Vice President
Business Unit Power Tools & Accessories
06/2013

Техническая документация:
Hilti Entwicklungsgesellschaft mbH
Zulassung Elektrowerkzeuge
Hiltistrasse 6
86916 Kaufering
Deutschland

ru

ORİJİNAL KULLANIM KILAVUZU

SIW 22T-A Dıştan dörtgen akülü darbeli vidalama makinesi

Çalıştırmadan önce kullanım kılavuzunu mutlaka okuyunuz.
Bu kullanım kılavuzunu daima aletle birlikte muhafaza ediniz.
Aleti, sadece kullanım kılavuzu ile birlikte başka kişilere veriniz.

İçindekiler

1	Genel bilgiler	98
2	Tanımlama	99
3	Aksesuar	100
4	Teknik veriler	101
5	Güvenlik uyarıları	102
6	Çalıştırma	105
7	Kullanım	106
8	Bakım ve onarım	108
9	Hata arama	109
10	İmha	109
11	Aletlerin üretici garantisi	110
12	AB Uygunluk açıklaması (Orijinal)	110

1 Sayıların her biri bir resmi işaret eder. Metin ile ilgili resimleri açılabilen sayfalarda bulabilirsiniz. Kılavuzu okurken bunu açık tutunuz.

Bu kullanım kılavuzunda akü paketine sahip dıştan dörtgen SIW 22T-A akülü darbeli vidalama makinesi »alet« olarak belirtilmiştir.

Kumanda elemanları ve alet parçaları 1

- 1 Uç girişi
- 2 Kumanda şalteri (elektronik devir sayısı kumandalı)
- 3 Çalıştırma kilidi olan sağa/sola dönüş değiştirme şalteri
- 4 Şarj durumu göstergesinin devreye alınması ilave fonksiyonuna sahip kilit açma düğmeleri
- 5 Tip plakası
- 6 Şarj durumu ve hata göstergesi (Lityum iyon akü paketi)
- 7 Kemer kancası (opsiyonel)

1 Genel bilgiler

1.1 Sinyal sözcükleri ve anlamları

TEHLİKE

Ağır vücut yaralanmalarına veya doğrudan ölüme sebep olabilecek tehlikeler için.

İKAZ

Ağır vücut yaralanmalarına veya ölüme sebep olabilecek olası tehlikeli durumlar için.

DİKKAT

Hafif vücut yaralanmalarına veya maddi hasarlara yol açabilecek olası tehlikeli durumlar için.

UYARI

Kullanım uyarıları ve kullanım ile ilgili diğer gerekli bilgiler.

1.2 Piktogramların açıklaması ve diğer uyarılar

İkaz işaretleri



Genel tehlikelere karşı uyarı



Tehlikeli elektrik gerilimine karşı uyarı



Kötü maddelere karşı uyarı

Uyulması gereken kurallar



Koruyucu gözlük kullanınız



Koruyucu kask kullanınız



Kulaklık kullanınız



Koruyucu eldiven kullanınız



Hafif toz maskesi kullanınız

Semboller



Kullanımdan önce kullanım kılavuzunu okuyunuz



Atıkların yeniden değerlendirilmesini sağlayınız



Volt



Doğru akım

n_0

Ölçüm boşta çalışma devir sayısı

/min

Dakika başına devir

Tanımlama detaylarının alet üzerindeki yeri

Tip tanımı tip plakası üzerinde ve seri numarası motor gövdesi yanındadır. Bu verileri kullanım kılavuzunuza aktarınız ve temsilcilik veya servislerimize olan sorularınızda her zaman bu verileri bulundurunuz.

Tip:

Jenerasyon: 01

Seri no:

2 Tanımlama

2.1 Usulüne uygun kullanım

SIW 22T-A elle yönlendirilen akülü, dıştan dörtgen bir darbeli vidalama makinesidir. Makine, dişi vidaların ve saplamaların, dübellerin ve ahşap civataların sıkılması ve çözülmesi için uygundur.

Sağlığa zarar verebilecek malzemeler (örn. asbest) üzerinde çalışma yapılmamalıdır.

Ulusal iş güvenliği taleplerinizi de dikkate alınız.

Akü paketlerini enerji kaynağı olarak uygun olmayan başka aletlerle kullanmayınız.

Alette onarım veya değişikliklere izin verilmez.

Yaralanma tehlikelerini önlemek için sadece orijinal Hilti aksesuar ve aletlerini kullanınız.

Bu alet, tam/özel bir tork gerekli olan uygulamalar için kullanılmalıdır. Aletin özel bir tork gerektiren veya azami torkun aşılması gereken uygulamalarda aşırı dönmeden dolayı civatanın veya çalışma parçasının hasar görme tehlikesi mevcuttur. Bu tür uygulamalar için alet tanımlanan ayarlanabilir tork ile kullanılmalıdır.

Kullanım kılavuzundaki çalıştırma, bakım ve koruma bilgilerine uyunuz.

Alet profesyonel kullanıcılar için öngörülmüştür ve sadece yetkili personel tarafından kullanılabilir ve bakımı yapılabilir. Bu personel meydana gelebilecek tehlikeler hakkında özel olarak eğitim görmüş olmalıdır. Eğitim görmemiş personel tarafından uygunsuz işlem yapılır veya usulüne uygun kullanım olmazsa, alet ve aksesuarlarından kaynaklanan tehlikeli durumlar söz konusu olabilir.

Çalışılabilecek sahalar: Şantiye, atölye, onarım, tadilat ve yeni yapılandırılmalarda.

2.2 Alet bağlantı yeri

1/2" Yarım küreli dış dörtgen alet bağlantı yeri

3/4" Pim kilitlemeli dış dörtgen alet bağlantı yeri

2.3 Şalter

Elektronik devir sayısı kumandası olan kumanda şalteri
Çalıştırma kilidi olan sağa/sola dönüş değiştirme şalteri

2.4 Takım çantasındaki teslimat kapsamına aşağıdakiler dahildir:

- 1 Alet
- 1 Kullanım kılavuzu
- 1 Hilti takım çantası

2.5 Karton paketteki teslimat kapsamına aşağıdakiler dahildir:

- 1 Alet
- 1 Kullanım kılavuzu

2.6 Aletin çalıştırılması için ilave olarak gerekli olanlar

Bir akü paketi B 22/2.6 Li-Ion veya B 22/3.3 Li-Ion, şarj cihazı C4/36-90 veya C4/36-350 veya C 4/36 veya C 4/36-ACS veya C 4/36-ACS TPS ile.

2.7 Lityum-İyon akü paketleri şarj durumu ve aşırı ısınma göstergesi

LED sürekli yanıyor	LED yanıp sönüyor	Şarj durumu C
LED 1, 2, 3, 4	-	$C \geq \%75$
LED 1, 2, 3	-	$\%50 \leq C < \%75$
LED 1, 2	-	$\%25 \leq C < \%50$
LED 1	-	$\%10 \leq C < \%25$
-	LED 1	$C < \%10$
-	LED 1	Akü paketi aşırı ısınmış

2.8 Aletin aşırı yüklenme ve aşırı ısınma göstergesi

Alet, elektronik bir aşırı zorlanma ve aşırı ısınma emniyetine sahiptir. Aşırı yüklenme ve aşırı ısınma halinde alet otomatik olarak kapanır. Kumanda şalteri serbest bırakılıp tekrar basıldığında aletin çalışmasında gecikmeler (aletin soğuma kademeleri) olabilir.

LED sürekli yanıyor	LED yanıp sönüyor	Alet durumu
-	LED 1, 2, 3, 4	Alet aşırı yüklü veya aşırı ısınmış

3 Aksesuar

Tanım	Kısa işaret
Lokma	S-NSD ve SV
Li-Ion akü paketleri için şarj cihazı	C 4/36
Li-Ion akü paketleri için şarj cihazı	C 4/36-ACS
Li-Ion akü paketleri için şarj cihazı	C 4/36-ACS TPS
Li-Ion akü paketleri için şarj cihazı	C 4/36-90
Li-Ion akü paketleri için şarj cihazı	C 4/36-350
Akü paketi	B 22/3.3 Li-Ion
Akü paketi	B 22/2.6 Li-Ion
Akü paketi	B 22/1.6 Li-Ion
Kemer kancası	

4 Teknik veriler

Teknik deęişiklik hakkı saklıdır!

Alet	SIW 22T-A ½"	SIW 22T-A ¾"
Çalışma gerilimi (doęru gerilim)	21,6 V	21,6 V
EPTA-Prosedürü 01/2003'e göre ağırlık	3 kg	3,2 kg
Boyutlar (U x G x Y)	232 mm x 94 mm x 258 mm	251 mm x 94 mm x 258 mm
Ölçüm rölanti devir sayısı	0...2.000/min	0...2.000/min
Darbe sayısı	Maks. 2.500 darbe/dak	Maks. 2.500 darbe/dak
Sıkma torku	450 Nm	450 Nm
Standart cıvata	M12 - M24	M12 - M24
Yüksek dayanımlı cıvata	M8 - M16	M8 - M16
Alet bağlantı yeri	½" dıştan dörtgen, yarım küre ile	¾" Sabitleme pimli dış dörtgen
Devir sayısı kumandası	kumanda şalteri üzerinden elektronik	kumanda şalteri üzerinden elektronik
Saęa/Sola doęru çalışma	çalışma sırasında yön deęiştirme kilidi olan elektrikli yön deęiştirme şalteri	çalışma sırasında yön deęiştirme kilidi olan elektrikli yön deęiştirme şalteri
Aşırı deşarj koruması	evet	evet

UYARI

Ses bilgileri (EN 60745-1 uyarınca ölçülmüştür):

Alet	SIW 22T-A ½"	SIW 22T-A ¾"
Standart A olarak deęerlendirilen ses gücü seviyesi	108 dB (A)	111 dB (A)
Standart A olarak deęerlendirilen çıkan ses basıncı seviyesi	97 dB (A)	100 dB (A)
Belirlenen ses seviyesi için emniyetsizlik	3 dB (A)	3 dB (A)

UYARI

Bu talimatlarda belirtilen titreşim seviyesi, EN 60745'e uygun olarak normlandırılmış bir ölçüm metodu ile ölçülmüştür ve elektrikli el aletlerinin birbirleri ile karşılaştırılması için kullanılabilir. Titreşim zorlanmasının geçici deęerlendirmesine de uygundur. Belirtilen titreşim seviyesi, elektrikli el aletinin ana kullanımını temsil eder. Eęer elektrikli el aleti, sapma gösteren çalışma aletleri ile veya yetersiz bakım yapılarak çalıştırılırsa, titreşim seviyesi sapma gösterebilir. Bu, toplam çalışma süresi aralığı üzerinden titreşim zorlanmasını belirgin şekilde yükseltebilir. Doęru bir titreşim zorlanması deęerlendirmesi için aletin kapatıldığı veya çalışır konumda olduęu ama aslında kullanımda olmadığı zamanlar da dikkate alınmalıdır. Bu, toplam çalışma süresi aralığı üzerinden titreşim zorlanmasını belirgin şekilde azaltabilir. Kullanıcının titreşimlerin etkisinden korunması için ek güvenlik önlemlerini belirleyiniz, örneğin: Elektrikli el aleti ve çalışma aletlerinin bakımı, ellerin sıcak tutulması, iş akışlarının organizasyonu.

EN 60745'e göre ilave bilgiler

Üç eksenli vibrasyon deęerleri (vibrasyon vektör toplamı) EN 60745-2-2'e göre ölçülmüş

Alet ½" için maksimum ebada sahip sabitleme elemanlarının darbeli vidaları, a_h 14,5 m/s²

Alet ¾" için maksimum ebada sahip sabitleme elemanlarının darbeli vidaları, a _n	14,2 m/s ²
Güvensizlik (K)	1,5 m/s ²

Akü paketi	B 22/3.3 Li-Ion	B 22/2.6 Li-Ion	B 22/1.6 Li-Ion
Çalışma gerilimi	21,6 V	21,6 V	21,6 V
Akü kapasitesi	3,3 Ah	2,6 Ah	1,6 Ah
Ağırlık	0,78 kg	0,78 kg	0,48 kg
Şarj sıcaklık denetimi	evet	evet	evet
Deşarj sıcaklık denetimi	evet	evet	evet
Akü elemanı çeşidi	Lityum iyon	Lityum iyon	Lityum iyon
Akü elemanı bloğu	12 Adet	12 Adet	6 Adet
Enerji içeriği	71,28 Ws	56,16 Ws	34,56 Ws

5 Güvenlik uyarıları

UYARI

Sonraki bölümdeki güvenlik uyarıları, kullanım kılavuzunda belirtilen normlara göre elektrikli el aletleri ile ilgili tüm güvenlik uyarılarını içermektedir. Buna göre bu alet ile ilişkili olmayan uyarılar da mevcut olabilir.

5.1 Elektrikli el aletleri için genel güvenlik uyarıları

a) İKAZ

Tüm güvenlik uyarılarını ve talimatlarını okuyunuz. Güvenlik uyarılarına ve talimatlarına uyulmasındaki ihmallere elektrik çarpması, yanma ve/veya ağır yaralanmalara sebebiyet verebilir. **Tüm güvenlik uyarılarını ve kullanım talimatlarını muhafaza ediniz.** Güvenlik uyarılarında kullanılan "elektrikli el aleti" terimi, şebeke işletimli elektrikli el aletleri (şebeke kablosu ile) ve akü işletimli elektrikli el aletleri (şebeke kablosu olmadan) ile ilgilidir.

5.1.1 İş yeri güvenliği

- Çalışma alanınızı temiz ve aydınlık tutunuz.**Düzensiz veya aydınlatmasız çalışma alanları kazalara yol açabilir.
- Yanıcı sıvıların, gazların veya tozların bulunduğu patlama tehlikesi olan yerlerde elektrikli el aleti ile çalışmayınız.**Elektrikli el aletleri, toz veya buharı yakabilecek kıvılcım oluşturur.
- Elektrikli el aletini kullanırken çocukları ve diğer kişileri uzak tutunuz.**Dikkatiniz dağılırsa aletin kontrolünü kaybedebilirsiniz.

5.1.2 Elektrik güvenliği

- Elektrikli el aletinin bağlantı fişi prize uygun olmalıdır. Fiş hiçbir şekilde değiştirilmemelidir. Adaptör fişini topraklama korumalı elektrikli el aletleri ile birlikte kullanmayınız.**Değiştirilmemiş fişler ve uygun prizler elektrik çarpması riskini azaltır.
- Borular, radyatörler, fırınlar ve buzdolapları gibi toprağa temas eden üst yüzeylere vücudunuzla temas etmekten kaçınınız.**Vücudunuzun toprakla teması var ise yüksek elektrik çarpması riski oluşur.
- Elektrikli el aletini yağmurdan veya ıslaklıktan uzak tutunuz.**Elektrikli el aletine su girmesi, elektrik çarpması riskini artırır.
- Elektrikli el aletini taşımak, asmak veya fişi şalterden çekmek için kabloyu kullanım amacı dışında kullanmayınız. Kabloyu sıcaktan, yağdan, keskin kenarlardan ve hareketli alet parçalarından uzak tutunuz.**Hasarlı veya karışmış kablolar elektrik çarpması riskini artırır.
- Elektrikli bir el aleti ile açık alanda çalışacaksanız sadece dışarıda kullanımına da izin verilen uzatma kabloları kullanınız.**Dış mekanlar için uygun olan uzatma kablolarının kullanımı elektrik çarpması riskini azaltır.

- f) **Elektrikli el aleti işletiminin nemli ortamda yapılması kaçınılmaz ise bir hatalı akım koruma şalteri kullanınız.** Bir hatalı akım koruma şalterinin kullanımı elektrik çarpması riskini azaltır.

5.1.3 Kişilerin güvenliği

- a) **Dikkatli olunuz, ne yaptığınıza dikkat ediniz ve el aleti ile mantıklı bir şekilde çalışınız. Yorgunsanız veya uyuşturucu, alkol veya ilaçların etkisi altındaysanız elektrikli el aleti kullanmayınız.** Elektrikli el aletinin kullanımı esnasında bir anlık dikkatsizlik ciddi yaralanmalara yol açabilir.
- b) **Kişisel koruyucu donanım ve her zaman bir koruyucu gözlük takınız.** Elektrikli el aletinin çeşidi ve kullanımına göre toz maskesi, kaymayan güvenlik ayakkabısı, koruyucu kask veya kulaklık gibi kişisel koruma donanımı takmak yaralanma riskini azaltır.
- c) **İstem dışı çalışmayı önleyiniz. Güç kaynağına ve/veya aküyü bağlamadan, girişini yapmadan veya taşımadan önce elektrikli el aletinin kapalı olduğundan emin olunuz.** Elektrikli el aletini taşırken parmağınız şalterde ise veya alet açık konumda akım beslemesine takılırsa, bu durum kazalara yol açabilir.
- d) **Elektrikli el aletini devreye almadan önce ayar aletlerini veya vidalama anahtarlarını çıkartınız.** Dönen bir cihaz parçasında bulunan bir alet veya anahtar yaralanmalara yol açabilir.
- e) **Aşırı bir vücut hareketinden sakınınız. Güvenli bir duruş sağlayınız ve her zaman dengeli tutunuz.** Böylece beklenmedik durumlarda elektrikli el aletini daha iyi kontrol edebilirsiniz.
- f) **Uygun kıyafetler giyiniz. Bol kıyafetler giymeyiniz veya takı takmayınız. Saçları, kıyafetleri ve eldivenleri hareket eden parçalardan uzak tutunuz.** Bol kıyafetler, takı veya uzun saçlar hareket eden parçalara takılabilir.
- g) **Toz emme ve tutma tertibatları monte edilebiliyorsa, bunların bağlı olduğundan ve doğru kullanıldığından emin olunuz.** Bu toz emme tertibatının kullanımı tozdan kaynaklanabilecek tehlikeleri azaltabilir.

5.1.4 Elektrikli el aletinin kullanımı ve çalıştırılması

- a) **Aleti çok fazla zorlamayınız. Çalışmanız için uygun olan elektrikli el aletini kullanınız.** Uygun elektrikli el aleti ile bildirilen hizmet alanında daha iyi ve güvenli çalışırsınız.
- b) **Şalteri bozuk olan elektrikli el aleti kullanmayınız.** Açılıp kapatılmayan bir elektrikli el aleti tehlikelidir ve tamir edilmesi gerekir.
- c) **Alet ayarlarını yapmadan, aksesuar parçalarını değiştirmeden veya aleti bir yere koymadan önce fişi prizden ve/veya aküyü aletten çıkartınız.** Bu önlem, elektrikli el aletinin istem dışı çalışmasını engeller.
- d) **Kullanılmayan elektrikli el aletlerini çocukların erişemeyeceği yerde muhafaza ediniz. Aleti iyi tanımayan veya bu talimatları okumamış kişilere aleti kullandırmayınız.** Elektrikli el aletleri bilgisiz kişiler tarafından kullanılırsa tehlikelidir.
- e) **Elektrikli el aletlerinin bakımını titizlikle yapınız. Hareketli parçaların kusursuz çalıştığı ve sıkışmadığı, parçaların kırılıp kırılmadığı veya hasar görüp görmediği, elektrikli el aleti fonksiyonlarının kısıtlanma durumlarını kontrol ediniz. Hasarlı parçaları aleti kullanmadan önce tamir ettiriniz.** Birçok kazanın nedeni bakımı kötü yapılan elektrikli el aletleridir.
- f) **Kesme aletlerini keskin ve temiz tutunuz.** Özenle bakımı yapılmış keskin bıçak kenarı olan kesme aletleri daha az sıkışır ve kullanımı daha rahattır.
- g) **Elektrikli el aletini, aksesuarları, kullanım aletleri vb. bu talimatlara göre kullanınız. Çalışma şartlarını ve yapılacak işi de ayrıca göz önünde bulundurunuz.** Elektrikli el aletlerinin öngörülen kullanımı dışında kullanılması tehlikeli durumlara yol açabilir.

5.1.5 Akülü el aletinin kullanımı ve çalıştırılması

- a) **Aküleri sadece üretici tarafından tavsiye edilen şarj cihazları ile şarj ediniz.** Belirli bir akü için uygun olan bir şarj cihazı, başka akülerle kullanılırsa yanma tehlikesi vardır.
- b) **Elektrikli el aletlerinde sadece bunun için öngörülen aküler kullanılmalıdır.** Başka akülerin kullanılması yaralanmalara ve yanma tehlikelerine yol açabilir.
- c) **Kullanılmayan aküleri, kontakların köprülenmesine sebep olabilecek ataçlar, madeni paralar, anahtarlar, çiviler, vi-**

dalar veya diğer küçük metal cisimlerden uzak tutunuz.Akü kontakları arasındaki kısa devre yanmalara veya alev oluşumuna sebep olabilir.

- d) **Yanlış kullanımda aküden sıvı çıkabilir. Bunlar ile temas önleyiniz. Tesadüfen temasta su ile durulayınız. Sıvı gözlere temas ederse ayrıca doktor yardımı isteyiniz.**Dışarı akan akü sıvısı cilt tahrişine ve yanmalarına yol açabilir.

5.1.6 Servis

- a) **Elektrikli el aletinizi sadece kalifiye uzman personele ve sadece orijinal yedek parçalar ile tamir ettiriniz.** Böylece elektrikli el aletinin güvenliğinin korunduğundan emin olunur.

5.2 Ek güvenlik uyarıları

5.2.1 Kişilerin güvenliği

- a) **Vidanın gizli elektrik kablolarına temas edebileceği yerlerde çalışıyorsanız aleti izolasyonlu tutamak yüzeyinden tutunuz.** Elektrik ileten bir hat ile temasta metal vida parçalar da gerilim altında kalır ve elektrik çarpmasına neden olabilir.
- b) **Kulaklık takınız.** Aşırı sestten dolayı duyma kaybı meydana gelebilir.
- c) **Alet toz emme tertibatı olmadan çalışıyorsa, toz oluşturan çalışmalarda hafif bir toz maskesi takılmalıdır.**
- d) **Parmaklarınızda daha iyi kan dolaşımı için çalışma molaları veriniz ve gevşetme ve parmak egzersizleri yapınız.**
- e) **Dönen parçalara temas etmekten kaçınınız. Aleti çalışma alanında çalıştırmaya başlayınız.** Dönen parçalara, özellikle dönen aletlere temas etme yaralanmalara yol açabilir.
- f) **Aleti yerleştirirken ve taşırken devreye alma kilidini aktif hale getiriniz (sağ/sol değiştirme şalteri orta konumda).**
- g) **Çocuklara alet ile oynamalarının yasak olduğu öğretilmelidir.**
- h) **Denetimsiz şekilde, çocuklar veya yeterli güce sahip olmayan kişiler tarafından kullanılması yasaktır.**
- i) Kurşun içerikli badana, bazı ahşap türleri, mineraller ve metal gibi malzemelerin tozları sağlığa zararlı olabilir. Tozlara doku-nulması veya solunması, kullanıcıda veya yakınında bulunan kişilerde alerjik reaksiyonlara ve/veya solunum yolu hastalıklarına yol açabilir. Kayın veya meşe ağacı gibi belli tür tozlar özellikle ahşap işlemede ek maddelerle (kromat, ahşap koruyucu malzemeler) bağlantılı çalışıldığında kanser yapıcı olarak kabul edilir. Asbest içerikli malzemeler sadece uzman kişiler tarafından işlenmelidir. **Mümkünse bir toz emme tertibatı kullanılmalıdır. Toz emme tertibatının yüksek kademesine ulaşılması sırasında bu elektrikli el aletinde belirlenmiş olan ahşap ve/veya mineral tozu için Hilti tarafından tavsiye edilen uygun bir mobil toz giderici kullanınız. Çalışma yerinin iyi havalandırılmasını sağlayınız. P2 filtre sınıflı bir solunum yolu koruma maskesi takılması tavsiye edilir. İşlenecek malzemeler için ülkenizde geçerli olan talimatlara dikkat ediniz.**

5.2.2 Elektrikli el aletlerinin özenli kullanımı

- a) **Aleti emniyete alınız. Aleti sabit tutmak için germe tertibatı veya bir mengene kullanınız.** Böylece alet el ile tutmaktan daha güvenli durur ve ayrıca her iki eliniz de aleti kullanmak için boşta kalır.
- b) **Aletlerin yuva sistemine uygun bir şekilde takıldığından ve yerine oturduğundan emin olunuz.**
- c) **Cıvataların ve çalışma parçasının alet tarafından oluşturulan torka uygun olduğundan emin olunuz.** Çok yüksek bir tork cıvata veya çalışma parçasını zorlayabilir, genişletebilir veya hasar verebilir ve böylelikle tehlikeli durumlara ve yaralanmalara neden olabilir.

5.2.3 Akü cihazlarını özenli kullanım

- a) **Akü paketlerini yüksek sıcaklıktan ve ateşten uzak tutunuz.** Patlama tehlikesi vardır.
- b) **Akü paketleri sökülmemeli, ezilmemeli, 80°C üzerinde ısıtılmamalı veya yakılmamalıdır.** Aksi takdirde yangın, patlama ve zehirlenme tehlikesi oluşur.
- c) **İlgili alet için izin verilen akü paketleri dışında akü paketi kullanmayınız.** Başka akü paketlerinin kullanılması veya akü paketlerinin başka amaçlarla kullanılması durumunda yangın ve patlama tehlikesi söz konusudur.

- d) Taşıma, depolama ve Li-Ion akü paketlerinin işletimi için özel talimatları dikkate alınız.
- e) Hasarlı akü paketleri (örneğin çatlak, kırılmış, parçalı, bükülmüş, kontakları içeri girmiş ve/veya dışarı çekilmiş akü paketleri) şarj edilmeye ve kullanılmaya devam edilmemelidir.
- f) Akü paketi tutmak için çok sıcaksa, arızalı olabilir. **Aleti yanıcı malzemelerden yeterli bir uzaklıkta, gözlemleyebileceğiniz yanmaz bir zemin üzerine koyunuz ve soğuması için bırakınız. Akü paketi soğuduktan sonra Hilti servisi ile temas kurunuz.**

5.2.4 Elektrik güvenliği



tr

Çalışmaya başlamadan önce çalışma alanında üzerleri kaplanmış olan elektrik hatları, gaz ve su borularını örn. bir metal dedektörü ile kontrol ediniz. Eğer örn. bir akım hattına yanlışlıkla zarar verdiyseniz, dışarıda duran alettaki metal parçaları akım iletebilir. Bu durum elektrik çarpmasından dolayı ciddi bir tehlike oluşturur.

5.2.5 Çalışma yeri

- a) **Çalışma alanının iyi aydınlatılmasını sağlayınız.**
- b) **Çalışma yerinin iyi havalandırılmasını sağlayınız.** Kötü havalandırılan çalışma yerleri, aşırı toz nedeniyle sağlığa zarar verebilir.

5.2.6 Kişisel koruyucu donanım



Aletin kullanımı esnasında kullanıcı ve çevresinde bulunan kişiler uygun bir koruyucu gözlük, kulaklık, koruyucu eldiven ve hafif toz maskesi kullanmalıdır.

6 Çalıştırma



6.1 Akü paketlerinin dikkatli bir şekilde kullanılması

UYARI

Düşük sıcaklıklarda akü paketinin performansı azalır. Akü paketi ile alet durana kadar çalışmayınız. Zamanında ikinci akü paketine geçiniz. Akü paketini bir sonraki değiştime için derhal şarj ediniz.

Akü paketini serin ve kuru yerde muhafaza ediniz. Akü paketini asla güneşe, ısıtıcıların üstüne veya camların arkasına koymayınız. Kullanım süresi dolduktan sonra akü paketlerini çevreye zarar vermeden ve güvenli bir şekilde imha ediniz.

6.2 Akü paketinin şarj edilmesi



DİKKAT

Sadece "El aleti, Aksesuar" bölümünde yazılı, ön görülen Hilti şarj aletlerini kullanınız.

6.2.1 Yeni bir akü paketinin ilk kez şarj edilmesi

İlk çalıştırmadan önce akü paketlerini tam olarak şarj ediniz.

6.2.2 Kullanılmış bir akü paketinin şarj edilmesi

Akü paketini ilgili şarj aletine yerleştirmeden önce, akü paketlerinin dış yüzeylerinin temiz ve kuru olduğundan emin olunuz.

Şarj işleminden önce şarj aletinin kullanım kılavuzunu okuyunuz.

Li-Ion akü paketleri her zaman, kısmen dolu olsalar bile kullanıma hazırdır. Şarj işlemi size LED'ler vasıtasıyla gösterilir (bkz. Şarj aleti kullanım kılavuzu).

6.3 Akü paketlerinin takılması

DİKKAT

Akü paketlerini yerleştirmeden önce, aletin kapalı ve devreye alma kilidinin aktif olduğundan emin olunuz (sağa-/sola dönüş şalteri orta konumda). Sadece sizin aletiniz için izin verilen Hilti akü paketlerini kullanınız.

DİKKAT

Akü paketini alete yerleştirmeden önce akü paketi kontak noktalarında ve aletin kontak noktalarında yabancı cisim bulunmadığından emin olunuz.

1. Akü paketini, dayanakta çift klik sesini duyuncaya kadar alete arkadan itiniz.

2. **DİKKAT Akü paketi doğru yerleştirilmemişse, çalışma sırasında düşebilir.**

DİKKAT Akü paketinin düşmesi, size veya etrafınızdakilere zarar verebilir.

Çalışmaya başlamadan önce akü paketinin alette emniyetli bir şekilde yerleşmesini kontrol ediniz.

6.4 Akü paketinin çıkartılması 2

- Her iki kilit açma düğmesine basınız.
- Akü paketini aletten arkaya doğru çekiniz.

6.5 Akü paketlerinin taşınması ve depolanması

Akü paketini kilitleme konumundan (çalışma konumu) birinci yerine oturma konumuna getiriniz (taşıma konumu).

Taşıma veya depolama amacıyla bir akü paketini aletten ayırmanız durumunda, akü paketi kontaklarında kısa devre olmamasına dikkat ediniz. Örneğin vidalar, çiviler, klipsler, gevşek vidalama uçları, teller veya metal talaşlar gibi gevşek metal parçalarını takım çantasından, alet sandığından veya taşıma çantasından uzaklaştırınız veya bu parçaların akü paketleri ile temas etmesini engelleyiniz.

Akü paketlerinin sevkiyatı sırasında (kara, demiryolu, deniz veya hava taşımacılığı) ulusal ve uluslararası geçerli taşıma talimatlarına dikkat ediniz.

7 Kullanım



7.1 Alet değiştirme

UYARI

Alet, emniyete alınması amacıyla ½" yarım küreli dıştan dörtgen alet bağlantı yeri veya ¾" pim kilitlemeli dıştan dörtgen alet bağlantı yeri ile donatılmıştır.

7.1.1 ½" Yarım küreli dış dörtgen için alet değişimi

UYARI

Alet bağlantı yerinde yarım küreli lokmada yan deliği hizalayınız. Aksi takdirde alet, kendiliğinden çözülmeye karşı emniyete alınmamıştır.

7.1.1.1 Lokma (alet) montajı 3

- Sağa/sola dönüş değiştirme şalterini orta konuma getiriniz veya akü paketini aletten ayırınız.
- Alet bağlantı yerinde yarım küreli lokmada yan deliği hizalayınız.
- Lokmayı yerine oturana kadar alet bağlantı yerine bastırınız.

7.1.1.2 Lokma (alet) demontajı 4

1. Sağa/sola dönüş değiştirme şalterini orta konuma getiriniz veya akü paketini aletten ayırınız.
2. Lokmayı alet bağlantı yerinden çekiniz.

7.1.2 ¾" Pim kilitlemeli dış dörtgen için alet değişimi

7.1.2.1 Lokma (alet) montajı 5

1. Sağa/sola dönüş değiştirme şalterini orta konuma getiriniz veya akü paketini aletten ayırınız.
2. Lokma yuvasından o-ring'i çıkartınız.
3. Emniyet pimini dışarı çekiniz.
4. Lokmayı, alettaki tahrik dörtgen parçası üzerine yerleştiriniz.
UYARI Tahrik dörtgen parçası ve lokma emniyet pimi bağlantı yeri deliklerinin örtüşmesine dikkat ediniz.
5. Öncelikle emniyet pimini monte ediniz, ardından emniyete almak amacıyla o-ring'i tekrar lokmaya monte ediniz.

7.1.2.2 Lokma (alet) demontajı 6

1. Sağa/sola dönüş değiştirme şalterini orta konuma getiriniz veya akü paketini aletten ayırınız.
2. Lokma yuvasından o-ring'i çıkartınız.
3. Emniyet pimini dışarı çekiniz.
4. Lokmayı alettaki tahrik dörtgen parçasından çıkartınız.
5. Öncelikle emniyet pimini monte ediniz, ardından emniyete almak amacıyla o-ring'i tekrar lokmaya monte ediniz.

7.2 Sağa veya sola doğru çalışma ayarı 7

UYARI

Sağa/sola dönüş değiştirme şalteri ile alet ucunun dönüş yönünü seçebilirsiniz. Bir kilit motor çalışırken değiştirmeyi engeller. Kumanda şalterinin orta konumu bloke olmuştur. Sağa/sola dönüş değiştirme şalterini sağa (aletin etki yönünde) bastırınız = Sağa doğru çalışma. Sağa/sola dönüş değiştirme şalterini sola (aletin etki yönünde) bastırınız = Sola doğru çalışma.

7.3 Açma/Kapatma şalteri

Kumanda şalterine yavaşça basılarak devir sayısı kademesiz olarak minimum ve maksimum arasında devir sayısında seçilebilir.

7.4 Vidalama

İKAZ

Cıvataların ve çalışma parçasının alet tarafından oluşturulan torka uygun olduğundan emin olunuz. Çok yüksek bir tork cıvata veya çalışma parçasını zorlayabilir, genişletebilir veya hasar verebilir ve böylelikle tehlikeli durumlara ve yaralanmalara neden olabilir.

Sağa/sola dönüş değiştirme şalterinde istenilen dönüş yönünü seçiniz.

7.5 Li-Ion akü paketinde şarj durumu göstergesinin okunması 8

UYARI

Çalışma esnasında şarj durumunun kontrol edilmesi mümkün değildir. LED 1'in yanıp sönmesi ile sadece tam olarak boşalmış veya çok ısınmış (sıcaklık >80°) bir akü paketi gösterilir. Bu durumda akü paketi şarj aletine yerleştirilmelidir. 4 LED'in yanıp sönmesiyle aşırı yüklenilmiş veya aşırı ısınmış bir alet gösterilir.

Li-Ion akü paketi bir şarj durumu göstergesine sahiptir. Şarj etme işlemi esnasında şarj durumu akü paketindeki göstergede gösterilir (bkz. bölüm "Li-Ion akü paketlerinin şarj durumu"). Hareketsiz durumda şarj durumu akü paketindeki kilitleme tuşlarından birine bastıktan sonra dört LED lambası ile üç saniye süre ile gösterilir.

7.6 Kemer kancası 9

DİKKAT

Çalışmaya başlamadan önce kemer halkasının emniyetli bir şekilde sabitlenip sabitlenmediğini kontrol ediniz.

Kemer kancası ile aleti vücuda bitişik şekilde kemerden sabitleyebilirsiniz. Ayrıca sol elini kullananlar için kemer kancası aletin diğer tarafına da takılabilir.

1. Akü paketini aletten çıkartınız.
2. Vidalama plakasını öngörülen kılavuza yerleştiriniz.

3. Kemer kancasını iki vida ile sabitleyiniz.

8 Bakım ve onarım

DİKKAT

Temizleme işine başlamadan önce, aletin istem dışı çalışmasını engellemek için akü paketini çıkartınız!

8.1 Aletlerin koruyucu bakımı

Yapışmış kirleri çıkartınız ve aletlerinizin üst yüzeyini arada bir yapılacak çalışmalardan dolayı oluşabilecek korozyona karşı yağlı bir bez ile silerek koruyunuz.

8.2 Aletin koruyucu bakımı

DİKKAT

Aletin özellikle tutamak yüzeylerini kuru ve temiz tutunuz ve bu yüzeylerde yağ ve yakıt kalıntıları olmamasına dikkat ediniz. Silikon içerikli bakım malzemesi kullanmayınız.

Aletin dış gövde kaplaması darbeye dayanıklı bir plastikten üretilmiştir. Tutamak kısmı esnek plastiktendir.

Aleti hiçbir zaman havalandırma delikleri tıkalı iken çalıştırmayınız! Havalandırma deliklerini kuru bir fırça ile dikkatlice temizleyiniz. Yabancı cisimlerin alet içine girmesine engel olunuz. Aletin dış yüzeyini düzenli olarak hafif nemli bir bez ile temizleyiniz. Temizlik için püskürtme aleti, buharlı alet veya su kullanmayınız! Alet elektrik güvenliği bu yüzden tehlikeye maruz kalabilir.

8.3 Li-Ion akü paketlerinin koruyucu bakımı

Nem almasını önleyiniz.

İlk çalıştırmadan önce akü paketlerini tam olarak şarj ediniz.

Akü paketlerinde maksimum kullanım ömrüne erişmek için aletin gücü belirgin bir şekilde azaldığı zaman deşarjı sonlandırınız.

UYARI

Aletin çalışmaya devam etmesi durumunda, deşarj durumu otomatik olarak sonlandırılır ve akü paketinin LED 1'i, hücrelerin zarar görmesine izin vermeden yanıp sönmeye başlar.

Akü paketlerini Li-Ion akü paketleri için izin verilen Hilti şarj aletlerini şarj ediniz.

UYARI

- Akü paketlerine şarj takviyesi NiCd veya NiMH'deki gibi gerekli değildir.
- Şarj işlemine ara verilmesi akü paketlerinin kullanım ömrünü azaltmaz.
- Şarj etme işlemi, kullanım ömrüne zarar vermeden her zaman başlatılabilir. NiCd veya NiMH'deki gibi memory efekti yoktur.
- Akü paketleri için en iyisi, tam dolu olarak, serin ve kuru bir yerde muhafaza edilmeleridir. Akü paketlerinin yüksek çevre sıcaklığında (camın arkasında) muhafaza edilmesi uygun değildir, akü paketlerinin kullanım ömrünü kısaltır ve akü elemanlarının kendiliğinden deşarj olma oranı artar.
- Akü paketi artık tam olarak dolmuyorsa, eskidiğinden veya gereğinden fazla çalıştırıldığından kapasitesi azalmıştır. Bu akü paketi ile çalışma halen mümkündür, akü paketini yenisi ile değiştirmeniz gerekmemektedir.

8.4 Bakım

İKAZ

Elektrik parçalarındaki onarımlar sadece elektronik uzmanı tarafından yapılabilir.

Dışarıda duran bütün alet parçalarının hasarlanma durumlarını ve bütün kullanım elemanlarının kusursuz çalıştığını düzenli olarak kontrol ediniz. Parçalar hasarlanmış ise veya kullanım elemanları kusursuz çalışmıyorsa aleti kullanmayınız. Aleti Hilti Servisi'ne tamir ettiriniz.

8.5 Bakım ve koruma çalışmalarının kontrolü

Bakım ve koruma çalışmalarından sonra tüm koruma tertibatlarının yerinde olup olmadığı ve hatasız çalışması kontrol edilmelidir.

9 Hata arama

Hata	Olası sebepler	Çözüm
Alet çalışmıyor.	Akü paketi komple yerleştirilmemiş veya akü paketi boş.	Akü paketi duyulabilen bir çift klik ile yerine oturtulmalıdır ve akü paketi şarj edilmelidir.
	Elektrik arızası.	Akü paketini aletten çıkartınız ve Hilti Servisi'ne gidiniz.
Alet çalışmıyor ve 1 LED yanıp sönüyor.	Akü paketi boşalmış.	Akü paketini değiştiriniz ve boş akü paketini şarj ediniz.
	Akü paketi çok sıcak veya çok soğuk.	Akü paketi tavsiye edilen çalışma ısısına getirilmelidir.
Alet çalışmıyor ve 4 LED'in tümü yanıp sönüyor.	Alet kısa süreli olarak aşırı yüklenmiş.	Kumanda şalteri bırakılmalı ve tekrar basılmalıdır.
	Aşırı sıcaklık koruması	Aleti soğumaya bırakınız. Havalandırma deliklerini temizleyiniz.
Açma/kapama şalterine basılmıyor veya bloke olmuştur.	Sağa/sola dönüş değiştirme şalteri orta konumda (taşıma konumu)	Sağa/sola dönüş değiştirme şalterini sola veya sağa doğru basıtınız.
Devir sayısı aniden çok düşüyor.	Akü paketi boşalmış.	Akü paketini değiştiriniz ve boş akü paketini şarj ediniz.
Akü paketi normalden daha çabuk boşalıyor.	Akü paketi durumu çok uygun değil.	Hilti Servisi ve akü paketindeki diyagnozları yenileyiniz.
Akü paketi duyulabilir bir "çift klik" ile yerine oturmuyor.	Akü paketindeki kilit dili kirli.	Kilit dilini temizleyiniz ve akü paketini yerine yerleştiriniz. Problem devam ederse Hilti Servisi'ne gidiniz.
Alette veya akü paketinde aşırı ısınma.	Elektrik arızası.	Aleti derhal kapatınız, akü paketini aletten çıkartınız ve Hilti Servisi'ne gidiniz.
	Alet aşırı zorlanmış (kullanım sınırı aşılmış).	Kullanıma uygun alet seçimi.

10 İmha

DİKKAT

Donanımın uygunsuz olarak imha edilmesi aşağıdaki olaylara sebebiyet verebilir: Plastik parçaların yanması esnasında, kişilerin hastalanmasına sebep olabilecek zehirli gazlar oluşur. Piller hasar görür veya çok ısınır patlayabilir ve zehirlenmelere, yanmalara, cilt tahrişlerine veya çevre kirliliğine neden olabilir. Usulüne uygun olmayan şekilde imha etmeniz halinde donanımın yetkisiz kişilerce hatalı kullanılmasına yol açarsınız. Ayrıca kendiniz ve üçüncü şahıslar ağır yaralanabilir ve çevre kirlenebilir.

DİKKAT

Arızalı akü paketlerinin hiç vakit kaybetmeden imha edilmesini sağlayınız. Bunları çocuklardan uzak tutunuz. Akü paketlerini parçalara ayırmayınız ve yakmayınız.

DİKKAT

Akü paketlerini ulusal yönetmeliklere göre imha ediniz veya kullanılmış akü paketlerini Hilti'ye iade ediniz.



Hilti aletleri yüksek oranda tekrar kullanılabilen malzemelerden üretilmiştir. Tekrar kullanım için ön koşul usulüne uygun malzeme ayrımıdır. Birçok ülkede Hilti eski aletinizi değerlendirmek için geri almaya hazırdır. Hilti müşteri hizmetleri veya satıcınıza sorunuz.



Sadece AB ülkeleri için

Elektrikli el aletlerini çöpe atmayınız!

Elektronik ve elektronik kullanılmış aletlere yönelik Avrupa Yönetmeliği ve ulusal yasalardaki uyarlamalar çerçevesinde, kullanılmış elektronik el aletleri ve akü paketleri ayrı olarak toplanmalı ve çevreye zarar vermeden yeniden değerlendirilmesi sağlanmalıdır.

11 Aletlerin üretici garantisi

Hilti firması sipariş verilen aletin malzeme ve üretim hataları olmaksızın teslimatını garanti eder. Ancak bu garanti kapsamı, aletin Hilti firmasının sunmuş olduğu kullanım kılavuzu dikkate alınarak doğru çalıştırılması, kullanılması, bakımı yapılması ve temizlenmesi halinde olduğu gibi, teknik biriminin korunması; yani alet ile birlikte sadece orijinal Hilti tüketim malzemesi, aksesuar ve yedek parçaları kullanıldığı takdirde de geçerli olacaktır.

İşbu garanti aletin çalışma ömrü boyunca ücretsiz tamiratını ve arızalı parçalarının ücretsiz olarak değiştirilmesini kapsamaktadır. Normal aşınma sonucu arızalanan parçalar garanti kapsamında değildir.

Bunların dışındaki talepler konu ile ilgili olarak aletin kullanıldığı ülkede yayınlanmış herhangi zorunlu bir yönetmelik bulunmadığı takdirde kabul edilmeyecektir. Hilti firması özellikle aletin kullanımından veya aletin sakıncalı bir amaçta kullanılmasından dolayı bilinçli veya bilinçsiz olarak sebep olunacak eksikliklerden veya bu eksikliklerden oluşacak hasarlardan, kayıplardan veya masraflardan sorumlu tutulamayacaktır. Aletin özellikle belirli bir amaç için kullanımı veya elverişliliği konusunda herhangi gizli bir teminat verilmesi kesinlikle yasaktır.

Tamirat veya parça değişimine ihtiyaç duyulması halinde arızalanan alet veya parça, arızanın tespitinin ardından vakit kaybetmeksizin tamir edilmesi veya değiştirilmesi için Yetkili Hilti Servisi'ne gönderilmelidir.

İşbu hazır bulunan garanti belgesi Hilti firması tarafından verilmesi gereken tüm garanti hizmetlerini kapsamakta olduğu gibi garanti kapsamına dair daha önce veya aynı anda yapılmış tüm açıklamaların, yazılı veya sözlü anlaşmaların da yerine geçecektir.

12 AB Uygunluk açıklaması (Orijinal)

İşaret:	Dıştan dörtgen akülü darbeli vidalama makinesi
Tip işareti:	SIW 22T-A
Jenerasyon:	01
Yapım yılı:	2013

Bu ürünün aşağıdaki yönetmeliklere ve normlara uygun olduğunu kendi sorumluluğumuzda açıklıyoruz: EN 60745-1, EN 60745-2-2, 2006/42/EG, 2004/108/EG, 2006/66/EG, 2011/65/EU, EN ISO 12100.

Hilti Corporation, Feldkircherstrasse 100, FL-9494 Schaan

Paolo Luccini
Head of BA Quality and Process Management
Business Area Electric Tools & Accessories
06/2013

Jan Doongaji
Executive Vice President
Business Unit Power Tools & Accessories
06/2013

Teknik dokümantasyon:

Hilti Entwicklungsgesellschaft mbH
Zulassung Elektrowerkzeuge
Hiltistrasse 6
86916 Kaufering
Deutschland

دليل الاستعمال الأصلي المفك الدقاق العامل بالبطارية المزود برأس رباعي خارجي SIW 22T-A

يلزم قراءة دليل الاستعمال باستفاضة قبل التشغيل.
احتفظ بهذا الدليل مع الجهاز دائماً.
لا تقم بإعارة الجهاز لآخرين إلا مع إرفاق دليل الاستعمال به.

فهرس المحتويات

111	إرشادات عامة	1
112	الشرح	2
113	الملحقات التكميلية	3
114	المواصفات الفنية	4
115	إرشادات السلامة	5
119	التشغيل	6
120	الاستعمال	7
121	العناية والصيانة	8
122	تقصي الأخطاء	9
123	التكبين	10
124	ضمان الجبة الصانعة للأجهزة	11
	شهادة المطابقة للمواصفات الأوروبية (الأصلية)	12
124		

1 يشير كل عدد من الأعداد لصورة. وتجد الصور الخاصة بالنص على صفحات الغلاف المطوية. احتفظ بها مفتوحة عند مطالعة الدليل. في هذا الدليل يقصد دائماً بكلمة «الجهاز» المفك الدقاق العامل بالبطارية المزود برأس رباعي خارجي SIW 22T-A مع بطارية مركبة فيه.

عناصر الاستعمال ومكونات الجهاز 1

① ظرف تركيب الأدوات

② مفتاح تحكم (مزود بنظام تحكم إلكتروني في عدد اللفات)

③ مفتاح تحويل الدوران جهة اليمين/اليسار مزود بمانع تشغيل

④ أزرار تحرير ذات وظيفة إضافية لتفعيل بيان حالة الشحن

⑤ لوحة الصنع

⑥ بيان حالة الشحن وبيان الأخطاء (بطارية أيونات الليثيوم)

⑦ خطاف الحزام (تجهيز اختياري)

1 إرشادات عامة

1.1 كلمات دليلية ومدلولاتها

خطر

تشير لخطر مباشر يؤدي لإصابات جسدية خطيرة أو إلى الوفاة.

تحذير

تشير لموقف خطر محتمل يمكن أن يؤدي لإصابات جسدية خطيرة أو إلى الوفاة.

احترس

تشير لموقف خطر محتمل يمكن أن يؤدي لإصابات جسدية خفيفة أو أضرار مادية.

ملحوظة

تشير لإرشادات للاستخدام ولمعلومات أخرى مفيدة.

2.1 شرح الرموز التوضيحية وإرشادات أخرى

علامات التحذير



تحذير من مواد
كاوية



تحذير من جهد
كهربائي خطر



تحذير من خطر
عام

علامات الإلزام



استخدم قفازا
واقيا



استخدم واقيا
للسمع



استخدم خوذة
حماية



استخدم واقيا
للعينين



استخدم واقيا
خفيفا للتنفس

الرموز



تيار مستمر



فلط



اعمل على إعادة
تدوير المخلفات



قبل الاستخدام
اقرأ دليل
الاستعمال

/min

عدد اللفات في
الدقيقة

n₀

عدد اللفات
الاسمي في
الوضع المحايد

موضع تفاصيل بيانات التمييز بالجهاز

مسمى الطراز مثبت على لوحة الصنع، أما الرقم المسلسل فمثبت على علبة الموتور بالجبهة الجانبية. أنقل هذه البيانات في دليل الاستعمال خاصتك وارجع إليها دائما عند الاستعمال لدى وكلائنا أو لدى مراكز الخدمة.

الطراز:

الجيل: 01

الرقم المسلسل:

2 الشرح

1.2 الاستخدام المطابق للتعليمات

الجهاز SIW 22T-A عبارة عن مفك دقاق يُستخدم باليد ومشغل بالبطارية ومزود برأس رباعي خارجي. وهو مناسب لربط وحل الصواميل الملولبة والمسامير والخوابير وبراعي الأخشاب.

يحظر التعامل مع المواد الخطيرة على الصحة (مثل الأسبستوس).

تراعى أيضا قوانين حماية العمال المعمول بها محليا.

لا يجوز استخدام البطاريات كمصدر طاقة لأجهزة أخرى غير مناسبة لذلك.

لا يسمح بإجراء أية تدخلات أو تغييرات على الجهاز.

اقتصر على استخدام الملحقات التكميلية والأدوات الأصلية من Hilti، وذلك لتقليل مخاطر الإصابة.

لا يسمح باستخدام الجهاز في التطبيقات التي تتطلب عزم دوران دقيق/محدد. في حالة استخدام الجهاز في تطبيقات تتطلب عزم دوران محدد أو في تطبيقات لا يجوز فيها تخطي حد أقصى معين لعزم الدوران، فإن الأمر ينطوي على خطر الدوران المفرط وتعرض البرغي أو قطعة الشغل للضرر. ومع هذه التطبيقات ينبغي استخدام جهاز بعزم دوران قابل للضبط بشكل محدد.

يلزم اتباع المعلومات المتعلقة بالتشغيل والعناية والإصلاح الواردة في دليل الاستعمال.

الجهاز مخصص للمستخدم المحترف ولا يجوز استعمال وصيانة وإصلاح هذا الجهاز إلا على أيدي أشخاص معتمدين ومدربين.

هؤلاء الأشخاص يجب أن يكونوا قد تلقوا تدريباً خاصاً على الأخطار الطارئة. يمكن أن تصدر عن الجهاز وملحقاته أخطار إذا تم التعامل معها بشكل غير سليم فنياً من قبل أشخاص غير مدربين أو لم يتم استخدامها بشكل مطابق للتعليمات.

محيط العمل يمكن أن يكون: موقع بناء أو ورشة أو مواقع أعمال الترميم أو مواقع التعديلات الإنشائية أو الإنشاءات الحديثة.

2.2 ظرف تركيب الأدوات

رأس رباعي خارجي ½ بوصة لظرف تركيب الأدوات مع قبة
رأس رباعي خارجي ¼ بوصة لظرف تركيب الأدوات مع وسيلة تثبيت
الخابور

3.2 المفاتيح

مفتاح تحكم مزود بنظام تحكم إلكتروني في عدد اللفات
مفتاح تحويل الدوران جهة اليمين/اليسار مزود بمانع تشغيل

ar

4.2 تشتمل مجموعة التجهيزات الموردة في الحقيبة على:

- 1 الجهاز
- 1 دليل الاستعمال
- 1 حقيبة Hilti

5.2 تشتمل مجموعة التجهيزات الموردة في العبوة الكرتون على:

- 1 الجهاز
- 1 دليل الاستعمال

6.2 لتشغيل الجهاز يلزم علاوة على ذلك توافر

بطارية B 22/2.6 Li-Ion أو B 22/3.3 Li-Ion مع جهاز الشحن C436-90
أو C436-350 أو C 4/36 أو C 4/36-ACS أو C 4/36-ACS TPS.

7.2 بيان حالة الشحن وبيان السخونة المفرطة لبطارية أيونات الليثيوم

حالة الشحن C	لمبة LED تومض	لمبة LED تضيء بشكل مستمر
$C \geq 75\%$	-	لمبة LED 1، 2، 3، 4
$50\% \leq C < 75\%$	-	لمبة LED 1، 2، 3
$25\% \leq C < 50\%$	-	لمبة LED 1، 2
$10\% \leq C < 25\%$	-	لمبة LED 1
$C < 10\%$	لمبة LED 1	-
البطارية ساخنة بشكل مفرط	لمبة LED 1	-

8.2 بيان التحميل الزائد وبيان السخونة المفرطة للجهاز

الجهاز مزود بوسيلة حماية إلكترونية من التحميل الزائد والسخونة المفرطة. في حالة التحميل الزائد والسخونة المفرطة يتوقف الجهاز أوتوماتيكياً. وعند ترك مفتاح التحكم والضغط عليه من جديد قد يتأخر التشغيل في بعض الأحيان (حتى يبرد الجهاز).

حالة الجهاز	لمبة LED تومض	لمبة LED تضيء بشكل مستمر
هناك تحميل زائد على الجهاز أو الجهاز ساخن بشكل مفرط	لمبة LED 1، 2، 3، 4	-

3 الملحقات التكميلية

العلامات المختصرة	المسمى
SV و DSN-S	لقمة مفتاح الربط الصندوقي
C 4/36	جهاز شحن لبطارية أيونات الليثيوم
C 4/36-ACS	جهاز شحن لبطارية أيونات الليثيوم
C 4/36-ACS TPS	جهاز شحن لبطارية أيونات الليثيوم

المسمى	العلامات المختصرة
شاحن بطارية أيونات الليثيوم	C 4/36-90
شاحن بطارية أيونات الليثيوم	C 4/36-350
البطارية	B 22/3.3 Li-Ion
البطارية	B 22/2.6 Li-Ion
البطارية	B 22/1.6 Li-Ion
خطاف حزام	

4 المواصفات الفنية

نحتفظ بحق إجراء تعديلات تقنية!

الجهاز	" $\frac{1}{2}$ SIW 22T-A"	" $\frac{3}{4}$ SIW 22T-A"
الجهد الكهربائي الاسمي (الجهد الثابت)	21,6 فلت	21,6 فلت
الوزن طبقا لبروتوكول EPTA 01/2003	3 كجم	3,2 كجم
الأبعاد (طول x عرض x ارتفاع)	232 مم x 94 مم x 258 مم	251 مم x 94 مم x 258 مم
عدد اللفات الاسمي لوضع الدوران على الفراع	min/2000...0	min/2000...0
عدد الطرقات	بحد أقصى 2500 دقة/دقيقة	بحد أقصى 2500 دقة/دقيقة
عزم الدوران	450 نيوتن متر	450 نيوتن متر
برغي قياسي	M24 - M12	M24 - M12
برغي شديد الصلابة	M16 - M8	M16 - M8
ظرف تركيب الأدوات	رأس رباعي خارجي $\frac{1}{2}$ بوصة مع قبة	مقطع رباعي $\frac{3}{4}$ " مع خابور تثبيت
التحكم في عدد اللفات	إلكترونيا عن طريق مفتاح التحكم	إلكترونيا عن طريق مفتاح التحكم
الدوران جهة اليمين/اليسار	مفتاح تحويل كهربائي مع مانع تحويل أثناء الدوران	مفتاح تحويل كهربائي مع مانع تحويل أثناء الدوران
الحماية من فراغ الشحنة	نعم	نعم

ملحوظة

معلومات الضجيج (مقاسة طبقا للمواصفة 1-EN 60745):

الجهاز	" $\frac{1}{2}$ SIW 22T-A"	" $\frac{3}{4}$ SIW 22T-A"
مستوى شدة الصوت الاعتيادي مصنّف بالفئة A	108 ديسيبل (A)	111 ديسيبل (A)
مستوى ضغط الصوت الاعتيادي المنبعث مصنّف بالفئة A	97 ديسيبل (A)	100 ديسيبل (A)
نسبة التفاوت بالنسبة لمستويات الصوت المذكورة	3 ديسيبل (A)	3 ديسيبل (A)

ملحوظة

تم قياس مستوى الاهتزاز الوارد في هذا الدليل طبقا لأحد معايير القياس التابعة للمواصفة EN 60745 ويمكن الاستعانة به في إجراء مقارنة بين الأدوات الكهربائية مع بعضها البعض. وهو يصلح أيضا لتقدير حمل الاهتزاز بصورة مؤقتة. ومستوى الاهتزاز المذكور يخص الاستخدامات الرئيسية للأداة الكهربائية. أما إذا تم استخدام الأداة الكهربائية في تطبيقات أخرى مع أدوات شغل مخالفة للمواصفات أو دون صيانة كافية، ففي هذه الحالة قد يختلف مستوى الاهتزاز. وقد يزيد هذا من حمل الاهتزاز خلال مدة العمل بالكامل بصورة واضحة. ولتقدير حمل الاهتزاز تقديرا دقيقا ينبغي أيضا مراعاة الأوقات التي يتم فيها إيقاف الجهاز أو التي يكون فيها الجهاز مشغلا ولكن دون استخدام حقيقي. ويمكن أن يقلل هذا من حمل الاهتزاز خلال مدة العمل بالكامل بصورة واضحة. احرص على اتخاذ إجراءات إضافية للسلامة من شأنها حماية المستخدم من تأثير

الاهتزازات مثل: صيانة الأداة الكهربائية وأدوات الشغل والحفاظ على الأيدي في حالة دافئة وتنظيم مراحل العمل.

معلومات إضافية طبقاً للمواصفة EN 60745

قيم الاهتزاز ثلاثية المحاور (محصلة متجهات الاهتزاز)	مقاسة طبقاً للمواصفة EN 60745-2-2
الربط بالدق لعناصر التثبيت ذات أقصى حجم مع الأداة والبالغ ½ بوصة، a h	14,5 م/ثانية ²
الربط بالدق لعناصر التثبيت ذات أقصى حجم مع الأداة والبالغ ¾ بوصة، a h	14,2 م/ثانية ²
نسبة التفاوت (K)	1,5 م/ثانية ²

البطارية	B 22/3.3 Li-Ion	B 22/2.6 Li-Ion	B 22/1.6 Li-Ion
الجهد الكهربائي الاسمي	21,6 فلت	21,6 فلت	21,6 فلت
سعة البطارية	3,3 أمبير ساعة	2,6 أمبير ساعة	1,6 أمبير ساعة
الوزن	0,78 كجم	0,78 كجم	0,48 كجم
مراقبة درجة الحرارة أثناء الشحن	نعم	نعم	نعم
مراقبة درجة الحرارة أثناء فراغ الشحن	نعم	نعم	نعم
نوع الخلايا	أيونات الليثيوم	أيونات الليثيوم	أيونات الليثيوم
عدد الخلايا	12 خلية	12 خلية	6 خلية
طاقة الإمداد	71,28 واط ساعة	56,16 واط ساعة	34,56 واط ساعة

5 إرشادات السلامة

ملحوظة

إرشادات السلامة الواردة في الموضوع التالي تشتمل على جميع إرشادات السلامة العامة المتعلقة بالأدوات الكهربائية، وهي مسرودة في دليل الاستعمال طبقاً للمعايير المعمول بها. لذلك قد يتم ذكر إرشادات ليست متعلقة بهذا الجهاز.

1.5 إرشادات السلامة العامة المتعلقة بالأدوات الكهربائية

(أ) تحذير

احرص على قراءة جميع إرشادات السلامة والتعليمات. أي تقصير أو إهمال في تطبيق إرشادات السلامة والتعليمات قد يتسبب في حدوث صدمة كهربائية أو حريق و/أو إصابات خطيرة. احتفظ بجميع مستندات إرشادات السلامة والتعليمات لاستخدامها عند الحاجة إليها فيما بعد. يقصد بمصطلح «الأداة الكهربائية» الوارد ذكره في إرشادات السلامة الأدوات الكهربائية المشغلة بالكهرباء (باستخدام كابل الكهرباء) وكذلك الأدوات الكهربائية المشغلة بالبطاريات (بدون كابل الكهرباء).

1.1.5 سلامة مكان العمل

(أ) حافظ على نطاق عملك نظيفاً ومضاءً بشكل جيد. الفوضى أو أماكن العمل غير المضاءة يمكن أن تؤدي لوقوع حوادث.
 (ب) لا تعمل بالأداة الكهربائية في محيط معرض لخطر الانفجار. يتواجد به سوائل أو غازات أو أنواع غبار قابلة للاشتعال. الأدوات الكهربائية تولد شرراً يمكن أن يؤدي لإشعال الغبار أو الأبخرة.
 (ت) احرص على إبعاد الأطفال والأشخاص الآخرين أثناء استخدام الأداة الكهربائية. في حالة انصراف انتباهك قد تفقد السيطرة على الجهاز.

2.1.5 السلامة الكهربائية

(أ) يجب أن يكون قابس توصيل الأداة الكهربائية متلائماً مع المقبس. لا يجوز تعديل القابس بأي حال من الأحوال. لا تستخدم قوابس مهايأة مع أدوات كهربائية ذات وصلة أرضي

محمية. القوابس غير المعدلة والمقابس الملائمة تقلل من خطر حدوث صدمة كهربائية.

(ب) تجنب حدوث تلامس للجسم مع أسطح مؤرضة مثل الأسطح الخاصة بالمواسير وأجهزة التدفئة والمواعد والثلاجات. ينشأ خطر متزايد من حدوث صدمة كهربائية عندما يكون جسمك متصلاً بالأرض.

(ت) أبعد الأدوات الكهربائية عن الأمطار أو البلى. تسرب الماء إلى داخل الأداة الكهربائية يزيد من خطر حدوث صدمة كهربائية.

(ث) لا تستخدم الكابل في الغرض غير المخصص له، كأن تستخدمه لحمل الأداة الكهربائية أو تعليقها أو لسحب القابس من المقبس. احتفظ بالكابل بعيداً عن السخونة والزيت والحواف الحادة والأجزاء المتحركة للجهاز. الكابلات التالفة أو المتشابكة تزيد من خطر حدوث صدمة كهربائية.

(ج) عندما تعمل بأداة كهربائية في مكان مكشوف، لا تستخدم سوى كابلات الإطالة المناسبة للعمل في النطاق الخارجي. استخدام كابل إطالة مناسب للعمل في النطاق الخارجي يقلل من خطر حدوث صدمة كهربائية.

(ح) إذا تعذر تجنب تشغيل الأداة الكهربائية في محيط رطب، فاستخدم مفتاح حماية من تسرب التيار. استخدام مفتاح الحماية من تسرب التيار يقلل خطر حدوث صدمة كهربائية.

3.1.5 سلامة الأشخاص

(أ) كن يقظاً وانتبه لما تفعل وتعامل مع الأداة الكهربائية بتعقل عند العمل بها. لا تستخدم الأداة الكهربائية عندما تكون مرهقاً أو واقعا تحت تأثير العقاقير المخدرة أو الكحول أو الأدوية. عدم الانتباه للحظة واحدة أثناء استخدام الأداة الكهربائية قد يؤدي لإصابات خطيرة.

(ب) ارتد تجهيزات وقاية شخصية وارتد دائماً نظارة واقية. ارتداء تجهيزات وقاية شخصية، مثل قناع الوقاية من الغبار وأحذية الأمان المضادة للانزلاق وخوذة الوقاية أو واقي السمع، تبعاً لنوع واستخدام الأداة الكهربائية، يقلل من خطر الإصابات.

(ت) تجنب التشغيل بشكل غير مقصود. تأكد أن الأداة الكهربائية مطفأة قبل توصيلها بالكهرباء و/أو بالبطارية وقبل رفعها أو حملها. إذا كان إصبعك على المفتاح عند حمل الأداة الكهربائية أو كان الجهاز في وضع التشغيل عند التوصيل بالكهرباء، فقد يؤدي ذلك لوقوع حوادث.

(ث) أبعد أدوات الضبط أو مفاتيح ربط البراغي قبل تشغيل الأداة الكهربائية. الأداة أو المفتاح المتواجد في جزء دوار من الجهاز يمكن أن يؤدي لحدوث إصابات.

(ج) تجنب اتخاذ وضع غير طبيعي للجسم. احرص على أن تكون واقفاً بأمان وحافظ على توازنك في جميع الأوقات. من خلال ذلك تستطيع السيطرة على الأداة الكهربائية بشكل أفضل في المواقف المفاجئة.

(ح) ارتد ملابس مناسبة. لا ترتد ملابس فضفاضة أو حلي. احرص على أن يكون الشعر والملابس والقفازات بعيدة عن الأجزاء المتحركة. الملابس الفضفاضة أو الحلي أو الشعر الطويل يمكن أن تشبك في الأجزاء المتحركة.

(خ) إذا أمكن تركيب تجهيزات شطف وتجميع الغبار، فتأكد أنها موصلة ومستخدمة بشكل سليم. استخدام تجهيزة شطف الغبار يمكن أن يقلل الأخطار الناتجة عن الغبار.

4.1.5 استخدام الأداة الكهربائية والتعامل معها

(أ) لا تفرط في التحميل على الجهاز. استخدم الأداة الكهربائية المناسبة للعمل الذي تقوم به. استخدم الأداة الكهربائية المناسبة يتبع لك العمل بشكل أفضل وأكثر أماناً في نطاق العمل المقرر.

(ب) لا تستخدم أداة كهربائية ذات مفتاح تالف. الأداة الكهربائية التي لم يعد يمكن تشغيلها أو إطفائها تعتبر خطيرة ويجب إصلاحها.

(ت) اسحب القابس من المقبس و/أو اخلع البطارية من الجهاز قبل إجراء عمليات ضبط الجهاز، أو استبدال أجزاء الملحقات التكميلية أو عند ترك الجهاز. هذا الإجراء الوقائي يمنع بدء تشغيل الأداة الكهربائية دون قصد.

(ث) احتفظ بالأدوات الكهربائية غير المستخدمة بعيداً عن متناول الأطفال. لا تسمح باستخدام الجهاز من قبل أشخاص ليسوا على دراية به أو لم يقرأوا هذه التعليمات. الأدوات الكهربائية خطيرة في حالة استخدامها من قبل أشخاص ليست لديهم الخبرة اللازمة.

ج) احرص على العناية التامة بالأدوات الكهربائية. افحص الأجزاء المتحركة من حيث أدائها لوظيفتها بدون مشاكل وعدم انحصارها وافحصها من حيث وجود أجزاء مكسورة أو متعرضة للضرر يمكن أن تؤثر سلباً على وظيفة الأداة الكهربائية. اعمل على إصلاح الأجزاء التالفة قبل استخدام الجهاز. الكثير من الحوادث مصدرها الأدوات الكهربائية التي تم صيانتها بشكل رديء.

ح) حافظ على أدوات القطع حادة ونظيفة. تتميز أدوات القطع ذات حواف القطع الحادة التي يتم عنايتها كما ينبغي بأنها أقل عرضة للتعثر وأسهل في الاستخدام.

خ) استخدم الأداة الكهربائية والملحقات التكميلية وأدوات العمل وخلافه طبقاً لهذه التعليمات. احرص في هذه الأثناء على مراعاة اشتراطات العمل والمهمة المراد تنفيذها. استخدام الأدوات الكهربائية في تطبيقات غير تلك المقررة لها يمكن أن يؤدي لمواقف خطيرة.

ar

5.1.5 استخدام الأداة العاملة بالبطارية والتعامل معها

أ) لا تشحن البطارية إلا في أجهزة شحن موصى بها من قبل الجهة الصانعة. بالنسبة لجهاز الشحن المناسب لنوع معين من البطاريات، ينشأ خطر الحريق عند استخدامه مع بطاريات أخرى.

ب) لا تضع في الأدوات الكهربائية سوى البطاريات المخصصة لها. استخدام بطاريات أخرى يمكن أن يؤدي لوقوع إصابات وخطر الحريق.

ت) حافظ على البطارية غير المستخدمة بعيدة عن مشابك الورق وقطع النقود المعدنية والمفاتيح والمسامير والبراغي أو الأشياء المعدنية الصغيرة الأخرى التي يمكن أن تتسبب في توصيل الملامسين لبعضهما. حدوث قفلة كهربائية بين أطراف توصيل البطارية يمكن أن ينتج عنه حدوث حروق أو نشوب حريق.

ث) عند الاستخدام بشكل خاطئ يمكن أن يتسرب سائل من البطارية. تجنب ملامسته. اشطفه بالماء في حالة ملامسته عن طريق الخطأ. إذا وصل السائل للعينين، فتوجه للطبيب علاوة على ذلك. سائل البطارية المتسرب يمكن أن يؤدي لتبيح البشرة أو حدوث حروق.

6.1.5 الخدمة

أ) اعمل على إصلاح أداتك الكهربائية على أيدي فنيين معتمدين فقط والاقتصر على استخدام قطع الغيار الأصلية. وبذلك تتأكد أن سلامة الأداة الكهربائية تظل قائمة.

2.5 إرشادات إضافية للسلامة

1.2.5 سلامة الأشخاص

أ) عند إجراء أعمال يحتمل فيها أن يتلامس البرغي مع أسلاك كهربائية مخفية أمسك الجهاز من مواضع المسك المعزولة فقط. حيث أن ملامسة البرغي لسلك يسري فيه التيار الكهربائي يمكن أن ينقل الجهد الكهربائي للأجزاء المعدنية بالجهاز ويؤدي لحدوث صدمة كهربائية.

ب) استخدم واقياً للسمع. يمكن أن ينتج عن الضوضاء فقدان للسمع.

ت) إذا تم تشغيل الجهاز دون استخدام شفاط للغبار، فإنه يجب استخدام واقٍ خفيف للتنفس عند إجراء أعمال يتولد عنها غبار.

ث) خذ قسطاً من الراحة أثناء العمل واحرص على عمل تمارين استرخاء وتمارين للأصابع لغرض سريان الدم في الأصابع بشكل أفضل.

ج) تجنب ملامسة الأجزاء الدوارة. لا تقم بتشغيل الجهاز إلا في نطاق العمل. ملامسة الأجزاء الدوارة، وخصوصاً الأدوات الدوارة، يمكن أن يؤدي لحدوث إصابات.

ح) قم بتفعيل مانع التشغيل (مفتاح تحويل الدوران جهة اليمين/اليسار في الوضع الأوسط) عند تخزين الجهاز ونقله.

خ) ينبغي توجيه الأطفال إلى عدم اللعب بالجهاز.

د) الجهاز غير مخصص للاستخدام من قبل الأطفال أو الأشخاص ذوي البنية الضعيفة دون تدريبهم.

ذ) الغبار الناتج عن خامات مثل الطلاء المحتوي على الرصاص وبعض أنواع الأخشاب والمعادن هو غبار ضار بالصحة. ملامسته أو استنشاقه قد يسبب أعراض حساسية و/أو أمراض الجهاز التنفسي للمستخدم أو للأشخاص المتواجدين

على مقربة منه. هناك أنواع معينة مسرطنة من الغبار مثل غبار خشب البلوط أو غبار خشب الزان، ولا سيما إذا ارتبطت هذه الأنواع بمواد إضافية لمعالجة الأخشاب (مثل الكروم و مواد حماية الأخشاب). لا يجوز التعامل مع المواد المحتوية على الأسبستوس إلا من قبل فنيين مختصين. استخدم شفاطاً للغبار حيثما أمكن. للحصول على درجة شفط عالية للغبار، استخدم مزبل الغبار المحمول الموصى به من Hilti المخصص لغبار الأخشاب و/أو المعادن والذي تمت مواءمته مع هذه الأداة الكهربائية. احرص على توفير تهوية جيدة لمكان العمل. ينصح بارتداء كمامة مزودة بفلتر من الفئة P2. احرص على مراعاة التعليمات السارية في بلدك بخصوص المواد المراد التعامل معها.

2.2.5 الاستخدام والتعامل بعناية مع الأدوات الكهربائية

- ar (أ) قم بتثبيت قطعة الشغل. استخدم تجهيزات شد أو منجلة لتثبيت قطعة الشغل بإحكام. بذلك تكون أكثر ثباتاً عن إمساكها باليد، وعلاوة على ذلك تكون كلتا يديك متاحتين لاستعمال الجهاز.
- (ب) تأكد أن الأدوات بها نظام التثبيت المناسب للجهاز وأنها مؤمنة القفل بشكل سليم في ظرف تركيب الأدوات.
- (ت) تأكد أن البراغي وقطعة الشغل مناسبة لعزم الدوران المتولد عن الجهاز. حيث إن عزم الدوران المرتفع للغاية يتسبب في تعرض البراغي أو قطعة الشغل لزيادة الإجهاد أو الربط المفرط أو حدوث أضرار مما يؤدي إلى التعرض لمواقف أو إصابات خطيرة.

3.2.5 الاستخدام والتعامل بعناية مع الأجهزة العاملة بالبطاريات

- (أ) اجعل البطاريات بعيدة عن درجات الحرارة العالية والنار. حيث ينشأ خطر الانفجار.
- (ب) لا يجوز تفكيك البطاريات أو سحقها أو وضعها في درجة حرارة أعلى من 80°م أو حرقها. وإلا فإن ذلك يشكل خطر وقوع حريق أو انفجار أو اكتواء.
- (ت) لا تستخدم سوى البطاريات المصرح بها للجهاز المعني. استخدام أنواع مغايرة من البطاريات أو استخدام البطاريات في أغراض أخرى يشكل خطر وقوع حريق وانفجار.
- (ث) تراعى الإرشادات الخاصة لنقل وتخزين وتشغيل بطاريات أيونات الليثيوم.
- (ج) لا يجوز مواصلة استخدام البطاريات التالفة أو شحنها (مثل البطاريات التي بها شروخ أو بها أجزاء مكسورة أو أطراف توصيلها منثنية أو مرتدة أو مخلوطة).
- (ح) إذا كانت البطارية ساخنة لدرجة لا يمكن معها لمسها، فمن المحتمل أن تكون تالفة. احرص على وضع الجهاز في مكان غير قابل للاشتعال وعلى مسافة كافية من الخامات القابلة للاشتعال، وحيث يمكن مراقبته واتركه حتى يبرد. اتصل بمركز خدمة Hilti بعد أن تبرد البطارية.

4.2.5 السلامة الكهربائية



قبل بدء العمل افحص نطاق العمل من حيث وجود توصيلات كهرباء مغطاة أو مواسير للغاز والماء، مثلاً باستخدام جهاز للكشف عن المعادن. الأجزاء المعدنية الخارجية بالجهاز يمكن أن يسري فيها الجهد الكهربائي، وذلك إذا قمت سبوا بإتلاف إحدى توصيلات التيار على سبيل المثال. ويمثل هذا خطراً شديداً في حالة حدوث صدمة كهربائية.

5.2.5 مكان العمل

- (أ) اعمل على توفير إضاءة جيدة لنطاق العمل.
- (ب) اعمل على توفير تهوية جيدة لمكان العمل. أماكن العمل سيئة التهوية يمكن أن تسبب أضراراً صحية بسبب التلوث بالغبار.

6.2.5 تجهيزات الوقاية الشخصية



أثناء استخدام الجهاز يجب على المستخدم والأشخاص المتواجدين على مقربة منه استعمال نظارة واقية ملائمة وخوذة حماية وواقي للسمع وقفاز واقية وكمامة خفيفة.

ar

6 التشغيل



1.6 التعامل بعناية مع البطاريات

ملحوظة

في درجات الحرارة المنخفضة تنخفض قدرة البطارية. لا تعمل بالبطارية إلى أن يتوقف الجهاز تماما. ولكن قم في الوقت المناسب بالتحويل إلى البطارية الثانية. قم على الفور بشحن البطارية مرة أخرى لغرض التغيير التالي.

قم بتخزين البطارية وهي في حالة باردة وجافة قدر الإمكان. لا تقم بتخزين البطارية أبداً تحت أشعة الشمس أو على أجهزة التدفئة أو خلف النوافذ الزجاجية. يجب التخلص من البطاريات عند نهاية عمرها الافتراضي بشكل آمن غير ضار بالبيئة.

2.6 شحن البطارية



احترس

اقتصر على استخدام أجهزة الشحن المقررة من Hilti الوارد ذكرها تحت موضوع «الأدوات والملحقات التكميلية».

1.2.6 الشحن الأول لبطارية جديدة

اشحن البطاريات عن آخرها قبل التشغيل لأول مرة.

2.2.6 شحن بطارية مستعملة

تأكد أن الأسطح الخارجية للبطارية نظيفة وجافة قبل إدخال البطارية في جهاز الشحن المعني.

للقيام بعملية الشحن احرص على قراءة دليل استعمال جهاز الشحن. يمكن استخدام بطاريات أيونات الليثيوم في أي وقت، حتى لو كانت مشحونة جزئياً. ويظهر لك مدى تقدم عملية الشحن من خلال لمبات LED (انظر دليل استعمال جهاز الشحن).

3.6 تركيب البطارية

احترس

تأكد قبل إدخال البطاريات أن الجهاز مطفأ وأن مانع التشغيل فعال (مفتاح تحويل الدوران جهة اليمين/اليسار في الوضع الأوسط). اقتصر على استخدام بطاريات Hilti المصرح بها لجهازك.

احترس

قبل تركيب البطارية في الجهاز تأكد أن أطراف توصيل البطارية وأطراف توصيل الجهاز خالية من أية أجسام غريبة.

1. ادفع البطارية من الخلف في الجهاز إلى أن تثبت بصوت مسموع، عبارة عن صوت طقطقة مزدوجة عند المصدر.

2. **احترس:** إذا لم تكن البطارية مثبتة بشكل سليم فمن المحتمل أن تسقط من موضعها أثناء العمل.

احترس: البطارية التي تتعرض للسقوط قد تعرضك أنت والآخرين للخطر.

قبل بدء العمل تأكد من ثبات البطارية في الجهاز بإحكام.

4.6 خلع البطارية 2

1. اضغط على زري التحرير.
2. اسحب البطارية إلى الخلف من الجهاز.

5.6 نقل وتخزين البطاريات

اسحب البطارية من وضع القفل (وضع العمل) إلى أول وضع للثبات (وضع النقل).

عند فصل البطارية من الجهاز بغرض نقله أو تخزينه احرص على ألا تتعرض أطراف توصيل البطارية لقفلة كهربائية. واخلع الأجزاء المعدنية المنحلة، مثل البراغي والمسامير والمشابك ولقم الربط المنحلة والأسلاك والرايش المعدني من الحقيبة أو صندوق الأدوات أو صندوق النقل أو اعمل على الحيلولة دون ملامسة هذه الأجزاء للبطاريات.

لدى إرسال هذه البطاريات كطرود (نقل بري أو بالقطار أو بحري أو جوي) تراعى لوائح النقل المحلية والدولية المقررة.

ar

7 الاستعمال



1.7 تغيير الأدوات

ملحوظة

تم تزويد الجهاز بظرف تركيب أدوات ذي رأس رباعية خارجية ½ بوصة مع قبة لغرض تغيير الأدوات أو تم تزويده بظرف تركيب أدوات ذي رأس رباعية خارجية ¼ بوصة مع وسيلة تثبيت الخابور.

1.1.7 رأس رباعي خارجي ½ بوصة لتغيير الأدوات مع قبة

ملحوظة

اضبط وضعية التجويف الجانبي الموجود باللقمة المجوفة مع القبة على ظرف تركيب الأدوات، وإلا فلن تكون الأداة مؤمنة ضد الحل التلقائي.

1.1.1.7 تركيب اللقمة المجوفة (الأداة) 3

1. اجعل مفتاح تحويل الدوران جهة اليمين/اليسار في الوضع الأوسط أو افصل البطارية من الجهاز.
2. اضبط وضعية التجويف الجانبي الموجود باللقمة المجوفة مع القبة على ظرف تركيب الأدوات.
3. اضغط اللقمة المجوفة على ظرف تركيب الأدوات إلى أن تثبت.

2.1.1.7 فك اللقمة المجوفة (الأداة) 4

1. اجعل مفتاح تحويل الدوران جهة اليمين/اليسار في الوضع الأوسط أو افصل البطارية من الجهاز.
2. اخلع اللقمة المجوفة من ظرف تركيب الأدوات.

2.1.7 رأس رباعي خارجي ¼ بوصة لتغيير الأدوات مع وسيلة تثبيت الخابور

1.2.1.7 تركيب اللقمة المجوفة (الأداة) 5

1. اجعل مفتاح تحويل الدوران جهة اليمين/اليسار في الوضع الأوسط أو افصل البطارية من الجهاز.
 2. اخلع الحلقة O من صمولة اللقمة المجوفة.
 3. أخرج خابور التثبيت.
 4. قم بتركيب اللقمة المجوفة على الحافة الرباعية لوحدة الإدارة الخاصة بالجهاز.
- ملحوظة** احرص على أن تتطابق ثقب موضع تثبيت خابور التأمين الخاص بالرأس الرباعية لوحدة الإدارة مع اللقمة المجوفة.
5. قم أولاً بتركيب خابور التأمين ثم الحلقة O مرة أخرى في اللقمة المجوفة، وذلك لغرض التأمين.

2.2.1.7 فك اللقمة المجوفة (الأداة) 6

1. اجعل مفتاح تحويل الدوران جهة اليمين/اليسار في الوضع الأوسط أو افصل البطارية من الجهاز.
2. اخلع الحلقة O من صمولة اللقمة المجوفة.

3. أخرج خابور التثبيت.
4. اخلع اللقمة المجوفة من الحافة الرباعية لوحدة الإدارة الخاصة بالجهاز.
5. قم أولاً بتركيب خابور التأمين ثم الحلقة O مرة أخرى في اللقمة المجوفة، وذلك لغرض التأمين.

2.7 ضبط الدوران جهة اليمين/أو اليسار 7

ملحوظة

باستخدام مفتاح تحويل الدوران جهة اليمين/اليسار يمكنك اختيار اتجاه دوران بريمة الأدوات. يوجد قفل يمنع التحويل عندما يكون المحرك دائراً. في الوضع الأوسط يكون مفتاح التحكم مقفلاً. ضغط مفتاح تحويل الدوران جهة اليمين/اليسار إلى اليمين (في اتجاه عمل الجهاز) = دوران لليمين. ضغط مفتاح تحويل الدوران جهة اليمين/اليسار إلى اليسار (في اتجاه عمل الجهاز) = دوران للييسار.

3.7 التشغيل/الإيقاف

من خلال الضغط على مفتاح التحكم ببطء يمكنك اختيار عدد اللفات بسلسلة من بين الحد الأدنى والأقصى لعدد اللفات.

4.7 ربط وحل البراغي

تحذير

تأكد أن البراغي وقطعة الشغل مناسبة لعزم الدوران المتولد عن الجهاز. حيث إن عزم الدوران المرتفع للغاية يتسبب في تعرض البراغي أو قطعة الشغل لزيادة الإجهاد أو الربط المفرط أو حدوث أضرار مما يؤدي إلى التعرض لمواقف أو إصابات خطيرة.

اختر اتجاه الدوران المرغوب من خلال مفتاح تحويل الدوران جهة اليمين/اليسار.

5.7 استقراء بيان حالة الشحن ببطارية أيونات الليثيوم 8

ملحوظة

أثناء العمل لا يمكن الاستعلام عن حالة الشحن. إلا أن وميض لمبة LED 1 يعني أن البطارية فارغة تماماً أو أنها ساخنة للغاية (درجة الحرارة 80°). في هذه الحالة يجب تركيب البطارية في جهاز الشحن. يشير وميض جميع لمبات LED الأربع إلى زيادة التحميل على الجهاز أو إلى سخونته المفرطة.

يوجد في بطارية أيونات الليثيوم بيان لحالة الشحن. أثناء عملية الشحن يتم عرض حالة الشحن من خلال البيان الموجود بالبطارية (انظر موضوع «حالة شحن بطارية أيونات الليثيوم»). في حالة السكون تظهر حالة الشحن من خلال أربع لمبات LED وذلك بعد الضغط لمدة ثلاث ثوان على أحد أزرار تأمين الأقفال بالبطارية.

6.7 خطاف الحزام 9

احترس

تأكد قبل بدء العمل أن خطاف الحزام مثبت جيداً.

عن طريق خطاف الحزام يمكنك تثبيت الجهاز في الحزام بحيث يكون ملتصقاً بالجسم. كما يمكن علاوة على ذلك تغيير موضع خطاف الحزام بالنسبة لمستخدمي اليد اليسرى بحيث يتواجد على الجانب الآخر من الجهاز.

1. اسحب البطارية من الجهاز.
2. أدخل لوح التثبيت في المجرى المخصص له.
3. ثبت خطاف الحزام باستخدام البرغيين.

8 العناية والصيانة

احترس

قبل البدء في أعمال التنظيف اخلع البطارية، للحيلولة دون تشغيل الجهاز دون قصد.

1.8 العناية بالأدوات

أزل الاتساخات شديدة الالتصاق واعمل على حماية أدواتك من الصدأ وذلك من خلال المسح من أن لآخر بفضة تنظيف مشربة بالزيت.

2.8 العناية بالجهاز

احترس

حافظ على الجهاز، وخصوصاً مواضع المسك، جافاً ونظيفاً وخالياً من الزيت والشحم. لا تستخدم مواد عناية محتوية على سليكون.

الجسم الخارجي للجهاز مصنوع من بلاستيك مضاد للصدمات. أجزاء المقبض مصنوعة من مادة لدائنية مرنة. لا تقم أبدا بتشغيل الجهاز بينما فتحات التهوية مسدودة. نظف فتحات التهوية بحرص باستخدام فرشاة جافة. اعمل على منع توغل أجسام غريبة إلى داخل الجهاز. نظف الجهاز من الخارج بصفة دورية باستخدام فوطة تنظيف مبللة بعض الشيء. لا تستخدم بخاخة أو جهاز عامل بالبخار أو ماء متدفق في عملية التنظيف. من خلال ذلك يمكن أن تتعرض السلامة الكهربائية للجهاز للخطر.

3.8 العناية بطاريات أيونات الليثيوم

تجنب تسرب الرطوبة إليها. اشحن البطاريات عن آخرها قبل التشغيل لأول مرة. للوصول لأقصى عمر افتراضي للبطاريات، قم بإيقاف عملية تفريغ الشحنة بمجرد أن تضعف قدرة الجهاز بشكل واضح.

ملحوظة

في حالة مواصلة تشغيل الجهاز يتم إيقاف عملية تفريغ الشحنة أوتوماتيكيا وتومض لمبة 1 LED الخاصة بالبطارية قبل أن يصل الأمر لتلف الخلايا.

اشحن البطاريات بواسطة أجهزة الشحن المصريح بها من Hilti لبطاريات أيونات الليثيوم.

ملحوظة

- لا يلزم زيادة شحن البطاريات مثلما هو الحال مع بطاريات النيكل كادميوم أو النيكل ميتل هيدريد.
- انقطاع عملية الشحن لا يؤثر سلبا على العمر الافتراضي للبطارية
- يمكن بدء عملية الشحن في أي وقت دون أن يؤثر ذلك بالسلب على العمر الافتراضي. حيث لا يوجد تأثير ذاكرة مثلما هو الحال مع بطاريات النيكل كادميوم أو النيكل ميتل هيدريد.
- من الأفضل تخزين البطاريات وهي مشحونة عن آخرها وفي حالة باردة وجافة قدر الإمكان. تخزين البطاريات في أماكن ذات درجات حرارة عالية (خلف النوافذ الزجاجية) غير ملائم ويؤثر على العمر الافتراضي للبطارية كما أنه يزيد من معدل فراغ الشحنة الذاتي للخلايا.
- إذا لم يعد يمكن شحن البطارية عن آخرها فهذا يعني أن سعتها قد نقصت بسبب التقادم أو زيادة الاستهلاك. يمكن الاستمرار في العمل بهذه البطارية، ولكن ينبغي استبدالها بأخرى جديدة عندما تسنح الفرصة.

4.8 الصيانة

تحذير

لا يجوز إجراء إصلاحات على الأجزاء الكهربائية إلا من خلال متخصصين في الكهرباء.

افحص بصفة دورية جميع الأجزاء الخارجية للجهاز من حيث وجود أضرار وجميع عناصر الاستعمال من حيث أدائها لوظيفتها بشكل سليم. لا تقم بتشغيل الجهاز عندما تكون هناك أجزاء تالفة أو إذا كانت بعض عناصر الاستعمال لا تعمل بشكل سليم. اعمل على إصلاح الجهاز لدى خدمة Hilti.

5.8 الفحص بعد أعمال العناية والصيانة

بعد إجراء أعمال العناية والصيانة يجب فحص ما إذا كانت جميع تجهيزات الحماية مركبة وتؤدي وظيفتها بدون أخطاء.

9 تقصي الأخطاء

الخطأ	السبب المحتمل	التغلب عليه
الجهاز لا يعمل.	لم يتم إدخال البطارية بشكل كامل أو أنها فارغة.	يجب أن تثبت البطارية بصوت مسموع عبارة عن صوت طقطقة لمرتين أو أنه يلزم شحنها.
	خطأ كهربائي.	أخرج البطارية من الجهاز وتوجه إلى خدمة Hilti.
الجهاز لا يعمل وتومض لمبة LED واحدة.	فرغت شحنة البطارية.	قم بتغيير البطارية واشحن البطارية الفارغة.

الخطأ	السبب المحتمل	التغلب عليه
الجهاز لا يعمل وتومض لمبة LED واحدة.	البطارية ساخنة للغاية أو باردة جدا.	اعمل على توفير درجة حرارة العمل الموصى بها للبطارية.
الجهاز لا يعمل وتومض جميع لمبات LED الأربع.	هناك تحميل زائد على الجهاز لفترة قصيرة.	اترك مفتاح التحكم واضغط عليه مرة أخرى.
	الحماية من سخونة المفرطة.	اترك الجهاز يبرد. قم بتنظيف فتحات التهوية.
لا يمكن الضغط على مفتاح التشغيل/الإيقاف أو المفتاح مقفل.	مفتاح تحويل الدوران جهة اليمين/اليسار في الوضع الأوسط (وضع النقل)	اضغط على مفتاح تحويل الدوران جهة اليمين/اليسار إلى اليسار أو اليمين.
عدد اللفات ينخفض بشدة بشكل مفاجئ.	فرغت شحنة البطارية.	قم بتغيير البطارية واشحن البطارية الفارغة.
البطارية تفرغ بشكل أسرع من المعتاد.	حالة البطارية ليست مثالية.	قم بإجراء كشف تشخيصي لدى خدمة Hilti أو قم بتغيير البطارية.
البطارية لا تثبت «بصوت طقطقة مسموع لمرتين».	أطراف التثبيت بالبطارية متسخة.	قم بتنظيف أطراف التثبيت ثم قم بتثبيت البطارية. وتوجه إلى خدمة Hilti إذا ظلت المشكلة قائمة.
تنشأ سخونة شديدة بالجهاز أو البطارية.	عطل كهربائي.	أوقف الجهاز على الفور وأخرج البطارية من الجهاز وتوجه إلى خدمة Hilti.
	هناك تحميل زائد على الجهاز (تم تجاوز حد الاستخدام).	اختر الجهاز المناسب لمقتضيات الاستخدام.

ar

10 التكوين

احترس

يمكن أن يؤدي التخلص من التجهيزات بشكل غير سليم إلى النتائج التالية: عند حرق الأجزاء البلاستيكية تنشأ غازات سامة يمكن أن تتسبب في إصابة الأشخاص بأمراض. كما يمكن أن تنفجر البطاريات إذا تلفت أو تعرضت لسخونة شديدة وعندئذ تتسبب في التعرض لحالات تسمم أو حروق أو اكتواءات أو تعرض البيئة للتلوث. وفي حالة التخلص من التجهيزات بتهاون فإنك بذلك تتيح للأشخاص الغريباء استخدامها في غير أغراضها. وعندئذ يمكن أن تتعرض أنت والآخرين لإصابات بالغة وتعرض البيئة كذلك للتلوث.

احترس

تخلص فوراً من البطاريات التالفة. احفظها بعيداً عن متناول الأطفال. ولا تقم بتفكيك أو حرق البطاريات.

احترس

تخلص من البطاريات طبقاً للوائح المحلية أو قم بإعادة البطاريات المستهلكة لمركز Hilti.



أجهزة Hilti مصنوعة بنسبة كبيرة من مواد قابلة لإعادة التدوير مرة أخرى. يشترط لإعادة التدوير أن يتم فصل الخامات بشكل سليم فنياً. مراكز Hilti في كثير من الدول مستعدة بالفعل لاستعادة جهازك القديم على سبيل الانتفاع به. توجه بأسئلتك لخدمة عملاء Hilti أو مستشار المبيعات.

لدول الاتحاد الأوروبي فقط
لا تلتق الأدوات الكهربائية ضمن القمامة المنزلية!
طبقا للمواصفة الأوروبية بخصوص الأجهزة الكهربائية
والإلكترونية القديمة وما يقابل هذه المواصفة في
القوانين المحلية يجب تجميع الأدوات الكهربائية
المستعملة والبطاريات بشكل منفصل وإعادة
تدويرها بشكل لا يضر بالبيئة.



11 ضمان الجهة الصانعة للأجهزة

تضمن Hilti أن الجهاز المورد خالي من عيوب الخامات والتصنيع. يشترط لسريان هذا الضمان صحة استخدام الجهاز وتشغيله والعناية به وتنظيفه بما يتوافق مع دليل الاستعمال الصادر عن Hilti، وأن يتم المحافظة على الوحدة الفنية، أي الاقتصار على استخدام الخامات والملحقات التكميلية وقطع الغيار الأصلية من Hilti مع الجهاز.

يشتمل هذا الضمان على الإصلاح المجاني أو استبدال الأجزاء التالفة مجاناً، وذلك طوال العمر الافتراضي للجهاز. ولا يشمل هذا الضمان الأجزاء المتعرضة للتآكل الطبيعي.

أية مطالبات أخرى مستبعدة، طالما لا توجد لوائح محلية ملزمة تتعارض مع ذلك. وبصفة خاصة لا تضمن Hilti العيوب أو الأضرار الناتجة عن العيوب أو الخسارة أو التكاليف المباشرة أو غير المباشرة المتعلقة باستخدام أو عدم إمكانية استخدام الجهاز في أي غرض. الضمانات غير الصريحة الممنوحة للاستخدام أو الصلاحية لغرض معين مستبعدة تماماً.

بعد إثبات العيب يجب على الفور إرسال الجهاز أو الأجزاء المعنية إلى مركز تسويق Hilti المختص لإصلاحها أو استبدالها.

يشتمل الضمان الحالي على جميع التزامات الكفالة من جانب Hilti ويحل محل جميع التفصيلات والشروحات السابقة أو الحالية والاتفاقات المكتوبة أو الشفوية بخصوص الضمان.

12 شهادة المطابقة للمواصفات الأوروبية (الأصلية)

المفك الدقاق العامل بالبطارية المزود برأس رباعي خارجي	المسمى:
SIW 22T-A	مسمى الطراز:
01	الجيل:
2013	سنة الصنع:

نقر على مسئوليتنا الفردية بأن هذا المنتج متوافق مع المواصفات والمعايير التالية: EN 60745-1، EN 60745-2-2، EN 2006/42/EC، EN ISO 12100، EU/2011/65، 2006/66/EC، 2004/108/EC.

FL-9494 Schaan, Feldkircherstrasse 100, Hilti Corporation

Jan Doongaji
Executive Vice President

Paolo Luccini
Head of BA Quality and Process Management

Business Unit Power Tools & Accessories
06/2013

Business Area Electric Tools & Accessories
06/2013

المطبوعة الفنية لـ:

Hilti Entwicklungsgesellschaft mbH
Zulassung Elektrowerkzeuge
Hiltistrasse 6
Kaufering 86916
Deutschland

ORIĢINĀLĀ LIETOŠANAS INSTRUKCIJA

SIW 22T-A Bezvada triecienu uzgriežņu atslēga

Pirms iekārtas lietošanas noteikti izlasiet šo instrukciju.

Vienmēr uzglabājiet instrukciju kopā ar iekārtu.

Ja iekārta tiek nodota citai personai, iekārtai obligāti jāpievieno arī instrukcija.

Saturs

1	Vispārēja informācija	125
2	Apraksts	126
3	Piederumi	127
4	Tehniskie parametri	128
5	Drošība	129
6	Lietošanas uzsākšana	133
7	Lietošana	134
8	Apkope un uzturēšana	135
9	Traucējumu diagnostika	136
10	Nokalpojušo instrumentu utilizācija	137
11	Iekārtas ražotāja garantija	138
12	EK atbilstības deklarācija (oriģināls)	138

iv

1 Skaitļi norāda uz attiecīgajiem attēliem. Attēli ir atrodami lietošanas pamācības vāka atvērumā. Lasot lietošanas pamācību, turiet šo atvērumu priekšā.

Šīs lietošanas instrukcijas tekstā ar vārdu "iekārta" vienmēr jāsaprot bezvada triecienu uzgriežņu atslēga SIW 22T-A ar nofiksētu akumulatora bloku.

Apkalpes elementi un iekārtas daļas **1**

- ① Instrumenta patrona
- ② Vadības slēdzis (ar elektronisku rotācijas ātruma regulatoru)
- ③ Labā / kreisā rotācijas virziena pārslēdzējs ar ieslēgšanas bloķēšanu
- ④ Atbloķēšanas taustiņi ar papildu funkciju - uzlādes statusa indikācijas aktivēšanu
- ⑤ Datu plāksnīte
- ⑥ Uzlādes statusa un traucējumu indikācija (litija jonu akumulatora blokam)
- ⑦ Jostas āķis (opcija)

1 Vispārēja informācija

1.1 Signālvārdi un to nozīme

BRIESMAS

Pievērš uzmanību draudošām briesmām, kas var izraisīt smagus miesas bojājumus vai nāvi.

BRĪDINĀJUMS

Pievērš uzmanību iespējami bīstamai situācijai, kas var izraisīt smagas traumas vai pat nāvi.

UZMANĪBU

Šo uzrakstu lieto, lai pievērstu uzmanību iespējami bīstamai situācijai, kas var izraisīt traumas vai materiālus zaudējumus.

NORĀDĪJUMS

Šo uzrakstu lieto lietošanas norādījumiem un citai noderīgai informācijai.

1.2 Piktogrammu skaidrojums un citi norādījumi

Brīdinājuma zīmes



Brīdinājums par vispārēju bīstamību



Brīdinājums par bīstamu elektrisko spriegumu



Brīdinājums par kodīgām vielām

Pienākumu uzliekošās zīmes



Lietojiet aizsargbrilles



Lietojiet aizsargķiveri



Lietojiet skaņas slāpētājus



Lietojiet aizsargcimdus



Lietojiet vieglu elpvadu aizsargmasku

Simboli



Pirms lietošanas izlasiet instrukciju



Nododiet otrreizējai pārstrādei



Volti



Līdzstrāva

n_0

Nominālais apgriezienu skaits tukšgaitā

/min

Apgriezienu skaits minūtē

Identifikācijas datu novietojums uz iekārtas

Tipa apzīmējums ir norādīts uz datu plāksnītes un sērijas numurs – sānos uz motora korpusa. Ierakstiet šos datus lietošanas instrukcijā un vienmēr norādiet, kontaktējoties ar Hilti pārstāvi vai servisa nodaļu.

Tips:

Paudze: 01

Sērijas Nr.:

2 Apraksts

2.1 Izmantošana atbilstoši paredzētajiem mērķiem

SIW 22T-A ir manuāla bezvada trieciņa uzgriežņu atslēga ar akumulatora barošanu. Tā ir paredzēta uzgriežņu un bultskrūvju, dobtapu un kokskrūvju pievilksanai un atskrūvēšanai.

Nedrīkst apstrādāt veselībai kaitīgus materiālus (piemēram, azbestu).

Ievērojiet arī nacionālos darba aizsardzības normatīvus.

Nelietojiet akumulatoru blokus kā enerģijas avotu citām ierīcēm, kam tie nav paredzēti.

Aizliegts veikt nesankcionētas manipulācijas vai izmaiņas iekārtā.

Lai izvairītos no savainošanās, izmantojiet tikai oriģinālos Hilti piederumus un instrumentus.

Nelietojiet iekārtu darbiem, kam nepieciešams precīzs / specifisks griezes moments. Ja šo iekārtu lieto darbiem, kas jāveic ar specifisku griezes momentu vai nepārsniedzot noteiktas maksimālā griezes momenta robežas, pastāv risks, ka skrūve tiks pārgriezta un sabojāta vai tiks nodarīti bojājumi apstrādājamai detaļai. Tādēļ šāda veida darbiem ieteicams izmantot iekārtas ar precīzu griezes momenta noregulēšanu.

Ievērojiet lietošanas instrukcijas norādījumus par iekārtas lietošanu, apkopi un ekspluatācijas stāvokļa uzturēšanu.

Iekārta ir paredzēta profesionālām vajadzībām, un to drīkst apkalpot, apkopt un remontēt tikai kompetents un attiecīgi apmācīts personāls. Personālam jābūt labi informētam par iespējamiem riskiem, kas var rasties darba laikā. Iekārta un tās papildaprīkojums var radīt bīstamas situācijas, ja to lieto nepareizi vai uztic neapmācītam personālam.

Iespējamā lietojuma joma: būvobjekts, darbnīca, remontdarbi, pārbūve un jaunceltnes.

2.2 Instrumenta patrona

½" ārējā četrstūra instrumenta stiprinājums ar puslodi

¾" ārējā četrstūra instrumenta stiprinājums ar fiksācijas tapu

2.3 Slēdži

Vadības slēdzis ar elektronisku rotācijas ātruma regulatoru

Labā / kreisā rotācijas virziena slēdzis ar ieslēgšanas bloķēšanu

2.4 Koferī piegādātajā komplektā ietilpst:

- 1 Iekārta
- 1 Lietošanas instrukcija
- 1 Hilti koferis

2.5 Kartona kārbā piegādātajā komplektā ietilpst:

- 1 Iekārta
- 1 Lietošanas instrukcija

2.6 Iekārtai nepieciešamais papildu aprīkojums

Akumulatora bloks B 22/2.6 Li-Ion vai B 22/3.3 Li-Ion ar lādētāju C4/36-90, C4/36-350, C 4/36, C 4/36-ACS vai C 4/36-ACS TPS.

2.7 Litija jona akumulatora bloka uzlādes statusa un pārkaršanas indikācija

LED deg konstanti	LED mirgo	Uzlādes statuss C
LED 1, 2, 3, 4	-	$C \geq 75 \%$
LED 1, 2, 3,	-	$50 \% \leq C < 75 \%$
LED 1, 2	-	$25 \% \leq C < 50 \%$
LED 1	-	$10 \% \leq C < 25 \%$
-	LED 1	$C < 10 \%$
-	LED 1	Pārkaršis akumulatora bloks

2.8 Iekārtas pārslodzes un pārkaršanas indikācija

Iekārta ir aprīkota ar elektronisku aizsardzību pret pārslodzi un pārkaršanu. Pārslodzes un pārkaršanas gadījumā iekārta automātiski izslēdzas. Ja vadības slēdzi atlaiž un pēc tam nospiež no jauna, ieslēgšanās var aizkavēties (iekārtas atdzišanas fāze).

LED deg nepārtraukti	LED mirgo	Iekārtas statuss
-	LED 1, 2, 3, 4	Iekārta ir pārslogota vai pārkaršusī

3 Piederumi

Apzīmējums	Saīsinājums
Galatslēgas ieliktnis	S-NSD un SV
Lādētājs litija jonu akumulatora blokam	C 4/36
Lādētājs litija jonu akumulatora blokam	C 4/36-ACS
Lādētājs litija jonu akumulatora blokam	C 4/36-ACS TPS
Lādētājs litija jonu akumulatora blokam	C 4/36-90
Lādētājs litija jonu akumulatora blokam	C 4/36-350
Akumulatora bloks	B 22/3.3 Li-Ion

Apzīmējums	Sāisinājums
Akumulatora bloks	B 22/2.6 Li-Ion
Akumulatora bloks	B 22/1.6 Li-Ion
Jostas āķis	

4 Tehniskie parametri

Rezervētas tiesības izdarīt tehniska rakstura izmaiņas!

Iekārta	SIW 22T-A ½"	SIW 22T-A ¾"
Nominālais spriegums (līdzstrāva)	21,6 V	21,6 V
Svars saskaņā ar EPTA procedūru 01/2003	3 kg	3,2 kg
Izmēri (garums x platums x augstums)	232 mm x 94 mm x 258 mm	251 mm x 94 mm x 258 mm
Nominālais rotācijas ātrums tukšgaitā	0...2000/min	0...2000/min
Triecienu skaits	Maks. 2500 triec./min.	Maks. 2500 triec./min.
Griezes moments	450 Nm	450 Nm
Standarta skrūve	M12 - M24	M12 - M24
Augstas stiprības skrūve	M8 - M16	M8 - M16
Instrumenta patrona	½" ārējais četrstūris ar puslodi	¾" ārējais četrstūris ar fiksācijas tapu
Rotācijas ātruma regulēšana	elektroniski, ar vadības slēdža starpniecību	elektroniski, ar vadības slēdža starpniecību
Labais / kreisais rotācijas virziens	elektriskais pārslēdzējs ar pārslēgšanas bloķēšanu darbības laikā	elektriskais pārslēdzējs ar pārslēgšanas bloķēšanu darbības laikā
Pazeminātas izlādes aizsardzība	jā	jā

NORĀDĪJUMS

Informācija par troksni (mērījumi veikti saskaņā ar EN 60745-1):

Iekārta	SIW 22T-A ½"	SIW 22T-A ¾"
Raksturīgais (A) trokšņa jaudas līmenis	108 dB (A)	111 dB (A)
Raksturīgā (A) trokšņa emisijas vērtība	97 dB (A)	100 dB (A)
Norādītā trokšņa līmeņa iespējamā kļūda	3 dB (A)	3 dB (A)

NORĀDĪJUMS

Šajos norādījumos minētais svārstību līmenis ir mērīts ar EN 60745 noteiktajām mērījumu metodēm un ir izmantojams dažādu elektroiekārtu salīdzināšanai. To var izmantot arī svārstību radītās slodzes pagaidu novērtējumam. Norādītais svārstību līmenis attiecas uz elektroiekārtas galvenajiem izmantošanas veidiem. Taču, ja elektroiekārta tiek izmantota citos nolūkos, ar citiem maināmajiem instrumentiem vai netiek nodrošināta pietiekama tās apkope, svārstību līmenis var atšķirties. Tas var ievērojami palielināt svārstību radīto slodzi visā darba laikā. Lai precīzi novērtētu svārstību radīto slodzi, jāņem vērā arī laiks, cik ilgi iekārta ir izslēgta vai ir ieslēgta, taču faktiski netiek darbināta. Tas var ievērojami samazināt svārstību radīto slodzi visā darba laikā. Jāparedz papildu drošības pasākumi, lai aizsargātu lietotāju pret svārstību iedarbību, piemēram: elektroiekārtas un maināmo instrumentu apkope, roku turēšana siltumā, darba procesu organizācija.

Papildinformācija saskaņā ar EN 60745

Triaksiālās vibrācijas vērtības (vibrācijas vektoru summa)	Mērījumi veikti saskaņā ar EN 60745-2-2
Maksimālā izmēra stiprinājuma elementu triecienskrūves instrumentam 1/2", a _h	14,5 m/s ²
Maksimālā izmēra stiprinājuma elementu triecienskrūves instrumentam 3/4", a _h	14,2 m/s ²
Iespējamā kļūda (K)	1,5 m/s ²

Akumulatora bloks	B 22/3.3 Li-Ion	B 22/2.6 Li-Ion	B 22/1.6 Li-Ion
Nominālais spriegums	21,6 V	21,6 V	21,6 V
Akumulatora kapacitāte	3,3 Ah	2,6 Ah	1,6 Ah
Svars	0,78 kg	0,78 kg	0,48 kg
Temperatūras kontrole uzlādes laikā	jā	jā	jā
Temperatūras kontrole izlādes laikā	jā	jā	jā
Bateriju veids	Litija jonu	Litija jonu	Litija jonu
Elementu bloks	12 gab.	12 gab.	6 gab.
Atlikusī enerģija	71,28 Wh	56,16 Wh	34,56 Wh

lv

5 Drošība

NORĀDĪJUMS

Nākamajā nodaļā atrodami drošības norādījumi aptver visus vispārīgos drošības norādījumus attiecībā uz elektroiekārtām, kas jāietver lietošanas instrukcijā saskaņā ar spēkā esošajām normām. Līdz ar to instrukcijā var būt norādījumi, kas uz konkrēto iekārtu neattiecas.

5.1 Vispārīgi drošības norādījumi darbam ar elektroiekārtām

a)  **BRĪDINĀJUMS**

Izlasiet visus drošības norādījumus un instrukcijas. Šeit izklāstīto drošības norādījumu un instrukciju neievērošana var izraisīt elektrošoku, ugunsgrēku un/vai nopietnas traumas. **Saglabājiet visus drošības norādījumus un instrukcijas turpmākai lietošanai.** Drošības norādījumos lietotais apzīmējums "elektroiekārta" attiecas uz iekārtām ar tīkla barošanu (ar barošanas kabeli) un iekārtām ar barošanu no akumulatora (bez kabeļa).

5.1.1 Drošība darba vietā

- Uzturiet darba vietā tīrību un kārtību un nodrošiniet labu apgaismojumu.** Nekārtīgā darba vietā vai sliktā apgaismojumā var viegli notikt nelaimes gadījums.
- Nestrādājiet ar elektroiekārtu sprādzienbīstamā vidē, kurā atrodas uzliesmojoši šķidrums, gāzes vai putekļi.** Darba laikā iekārta nedaudz dzirksteļo, un tas var izraisīt viegli degošu putekļu vai tvaiku aizdegšanos.
- Lietojot elektroiekārtu, neļaujiet nepiederošām personām un jo īpaši bērniem tuvoties darba vietai.** Citu personu klātbūtne var novērst uzmanību, un tā rezultātā jūs varat zaudēt kontroli pār iekārtu.

5.1.2 Elektrodrošība

- Elektroiekārtas kontaktdakšai jāatbilst elektrotīkla kontaktlīgzdai. Kontaktdakšas konstrukciju nedrīkst nekādā veidā mainīt. Kopā ar elektroiekārtām, kurām ir aizsargzēmējums, nedrīkst lietot adapteru spraudņus.** Neizmainītas konstrukcijas kontaktdakša, kas atbilst kontaktlīgzdai, ļauj samazināt elektrošoka risku.
- Darba laikā nepieskarieties saņemtiem priekšmetiem, piemēram, caurulēm, radiatoriem, plītim vai**

ledusskapjiem. Pieskaroties saņemtajām virsmām, pieaug risks saņemt elektrisko triecienu.

- c) **Nelietojiet elektroiekārtu lietus laikā, neturiet to mitrumā.** Mitrumam iekļūstot elektroiekārtā, pieaug risks saņemt elektrisko triecienu.
- d) **Nenesiet un nepiekariniet elektroiekārtu aiz barošanas kabeļa un neraujiet aiz kabeļa, ja vēlaties atvienot iekārtu no elektrotīkla kontaktligzdas. Sargājiet elektrokabeli no karstuma, eļļas, asām šķautnēm un iekārtas kustīgajām daļām.** Bojāts vai sapīņķerējis elektrokabelis var būt par cēloni elektrošokam.
- e) **Darbinot elektroiekārtu ārpus telpām, izmantojiet tās pievienošanai vienīgi tādus pagarinātājkabeļus, kas ir paredzēti lietošanai brīvā dabā.** Lietojot elektrokabeli, kas ir piemērots darbam ārpus telpām, samazinās elektrošoka risks.
- f) **Ja elektroiekārtas izmantošana slapjā vidē ir obligāti nepieciešama, lietojiet bojājumstrāvas aizsargslēdzi.** Bojājumstrāvas slēdža lietošana samazina elektrošoka risku.

lv

5.1.3 Personiskā drošība

- a) **Strādājiet ar elektroiekārtu uzmanīgi, darba laikā saglabājiet paškontroli un rīkojieties saskaņā ar veselo saprātu. Nestrādājiet ar elektroiekārtu, ja jūtaties noguruši vai atrodaties alkohola, narkotiku vai medikamentu ietekmē.** Strādājot ar elektroiekārtu, pat viens neuzmanības mirklis var būt par cēloni nopietnam savainojumam.
- b) **Izmantojiet individuālos darba aizsardzības līdzekļus un darba laikā vienmēr nēsājiet aizsargbrilles.** Individuālo darba aizsardzības līdzekļu (putekļu aizsargmaskas, neslīdošu apavu un aizsargķiveres vai ausu aizsargu) lietošana atbilstoši elektroiekārtas tipam un veicamā darba raksturam ļauj izvairīties no savainojumiem.
- c) **Nepieļaujiet iekārtas nekontrolētas ieslēgšanās iespēju. Pirms pievienošanas elektrotīklam, akumulatora ievietošanas, elektroiekārtas satveršanas vai pārvietošanas pārliedzieties, ka tā ir izslēgta.** Ja iekārtas pārvietošanas laikā pirksts atrodas uz slēdža vai ja ieslēgta iekārta tiek pievienota elektriskajam tīklam, iespējams nelaimes gadījums.
- d) **Pirms elektroiekārtas ieslēgšanas jānoņem visi regulēšanas piederumi un uzgriežņu atslēgas.** Regulēšanas piederumi vai uzgriežņu atslēga, kas iekārtas ieslēgšanas brīdī atrodas tajā, var radīt traumas.
- e) **Izvairieties no nedabiskām pozām. Darba laikā vienmēr saglabājiet līdzsvaru un nodrošinieties pret paslīdēšanu.** Tas atvieglos elektroiekārtas vadību neparedzētās situācijās.
- f) **Izvēlieties darbam piemērotu apģērbu. Darba laikā nēsājiet brīvi plandošas drēbes un rotaslietas. Netuviniet matus, apģērbu un aizsargcimdus iekārtas kustīgajām daļām.** Vaļīgas drēbes, rotaslietas un gari mati var iekļerties iekārtas kustīgajās daļās.
- g) **Ja elektroiekārtas konstrukcija ļauj pievienot putekļu nosūkšanas vai savākšanas ierīci, sekojiet, lai tā būtu pievienota un darbināta pareizi.** Putekļu nosūcēja lietošana samazina putekļu kaitīgo ietekmi.

5.1.4 Elektroiekārtas lietošana un apkope

- a) **Nepārslogojiet elektroiekārtu. Katram darbam izvēlieties piemērotu iekārtu.** Elektroiekārta darbosies labāk un drošāk pie nominālās slodzes.
- b) **Nelietojiet elektroiekārtu, ja ir bojāts tās slēdzis.** Elektroiekārta, ko nevar ieslēgt un izslēgt, ir bīstama un nekavējoties jānodod remontam.
- c) **Pirms iestatījumu veikšanas, aprīkojuma daļu nomaiņas vai iekārtas novietošanas uzglabāšanai atvienojiet kontaktdakšu no elektrotīkla un/vai noņemiet akumulatoru.** Šādi Jūs novērsīsiet elektroiekārtas nejaušas ieslēgšanās risku.
- d) **Elektroiekārtu, kas netiek darbināta, uzglabājiet piemērotā vietā. Neļaujiet lietot iekārtu personām, kas nav iepazinušās ar tās funkcijām un izlasījušās šo lietošanas instrukciju.** Ja elektroiekārtu lieto nekompetentas personas, tas var apdraudēt cilvēku veselību.
- e) **Rūpīgi veiciet elektroiekārtu apkopi. Pārbaudiet, vai kustīgās daļas darbojas bez traucējumiem un neķeras un vai kāda no daļām nav salauzta vai bojāta un tādējādi ne-traucē elektroiekārtas nevainojamu darbību. Nodrošiniet, lai bojātās daļas tiktu savlaicīgi nomainītas vai remontētas**

autorizētā remontdarbnīcā. Daudzi nelaimes gadījumi notiek tāpēc, ka elektroiekārtām nav nodrošināta pareiza apkope.

- f) **Griezējinstrumentiem vienmēr jābūt uzasinātiem un tīriem.**Rūpīgi kopti griezējinstrumenti ar asām šķautnēm retāk iestrēgst un ir vieglāk vadāmi.
- g) **Lietojiet elektroiekārtu, piederumus, maināmos instrumentus utt. saskaņā ar šiem norādījumiem. Jāņem vērā arī konkrētie darba apstākļi un veicamās operācijas īpatnības.**Elektroiekārtu lietošana citiem mērķiem, nekā to ir paredzējusi ražotājfirma, ir bīstama un var izraisīt neparedzamas sekas.

5.1.5 Ar akumulatoru darbināmas iekārtas lietošana un apkope

- a) **Akumulatora uzlādei jālieto tikai ražotāja ieteiktie lādētāji.**Noteikta veida akumulatoriem paredzēts lādētājs kļūst ugunsbīstams, ja to izmanto kombinācijā ar cita veida akumulatoriem.
- b) **Izmantojiet elektroiekārtas barošanai tikai tai paredzētos akumulatorus.**Cita tipa akumulatoru lietošana var izraisīt iekārtas un/vai akumulatora aizdegšanos.
- c) **Laikā, kad akumulators ir atvienots no iekārtas, nepieļaujiet tā kontaktu saskaršanos ar saspraudēm, monētām, atslēgām, naglām, skrūvēm vai citiem nelieliem metāla priekšmetiem, kas varētu izraisīt īssavienojumu.**Ja starp akumulatora kontaktiem rodas īssavienojums, tas var sadegt vai kļūt par ugunsgrēka cēloni.
- d) **Nepareizi lietojot akumulatoru, no tā var izplūst šķidrums. Nepieļaujiet tā nokļūšanu uz ādas. Ja tas tomēr nejauši ir noticis, noskalojiet ar ūdeni. Ja šķidrums iekļūst acīs, izskalojiet acis un nekavējoties griezieties pie ārsta.**No akumulatora izplūdušais šķidrums var izraisīt ādas kairinājumu vai pat apdegumus.

lv

5.1.6 Serviss

- a) **Uzdodiet elektroiekārtas remontu veikt tikai kvalificētam personālam, kas izmanto vienīgi oriģinālās rezerves daļas.** Tikai tā ir iespējams saglabāt elektroiekārtas funkcionālo drošību.

5.2 Papildu drošības norādījumi

5.2.1 Personiskā drošība

- a) **Ja darba laikā pastāv iespēja, ka skrūve var nonākt saskarē ar apslēptiem elektriskajiem vadiem, vienmēr sateriet iekārtu tikai aiz izolētajām rokturu virsmām.** Skrūvei saskaroties ar spriegumam pieslēgtiem vadiem, spriegums tiek novadīts arī uz iekārtas metāla daļām, tādējādi radot elektrošoka risku.
- b) **Lietojiet dzirdes aizsargaprīkojumu.** Trokšņa iedarbība var radīt dzirdes zudumu.
- c) **Ja iekārta tiek darbināta bez putekļu nosūcēja un darba rezultātā veidojas liels daudzums putekļu, jāvalkā viegls elpošanas aizsargaprīkojums (maska).**
- d) **Strādājiet ar pārtraukumiem un veiciet atslābināšanās un pirkstu vingrinājumus, kas uzlabo asinsriti.**
- e) **Izvairieties no saskares ar rotējošām daļām. Ieslēdziet iekārtu tikai tad, kad tā atrodas darba zonā.** Saskare ar rotējošām iekārtas daļām, sevišķi ar rotējošiem instrumentiem, var izraisīt traumas.
- f) **Pirms iekārtas uzglabāšanas vai transportēšanas jāaktivē ieslēgšanās bloķēšana (labā / kreisā rotācijas virziena pārslēdzējam jāatrodas vidējā pozīcijā).**
- g) **Bērniem stingri jāpaskaidro, ka ar iekārtu nedrīkst rotaļāties.**
- h) **Iekārta nav paredzēta, lai to lietotu bērni vai nevarīgi cilvēki.**
- i) **Putekļi, ko rada tādi materiāli kā, piemēram, svīnu saturoša krāsa, daži koksnes veidi, minerāli un metāls, var būt kaitīgi veselībai.** Saskare ar šiem putekļiem vai to ieelpošana var izraisīt lietotāja vai citu tuvumā esošo personu alerģiskas reakcijas un/vai elpceļu sasilšanas. Noteikti putekļu veidi, piemēram, ozola un skābarža koksnes putekļi, tiek uzskatīti par kancerogēniem - sevišķi kopā ar kokapstrādē izmantojamām vielām (hromātiem, koksnes aizsarglīdzekļiem). Azbestu saturošus materiālus drīkst apstrādāt tikai kompetenti speciālisti. **Ja iespējams, lietojiet putekļu nosūcēju. Lai sasniegtu augstu**

putekļu nosūkšanas efektivitāti, lietojiet piemērotu, Hilti ieteiktu mobilo putekļu nosūcēju, kas paredzēts koka un/vai minerālo materiālu nosūkšanai, strādājot ar šo elektroiekārtu. Nodrošiniet darba vietā labu ventilāciju. Ieteicams valkāt elpceļu aizsardzības masku ar filtra klasi P2. Ievērojiet Jūsu valstī spēkā esošos normatīvus, kas regulē attiecīgo materiālu apstrādi.

5.2.2 Elektroinstrumentu lietošana un apkope

- a) **Nostipriniet apstrādājamo priekšmetu. Apstrādājamā materiāla nostiprināšanai izmantojiet skrūvspīles vai citu fiksācijas ierīci.** Šādi tas būs drošāk un stabilāk novietots nekā tad, ja to turēsiet ar roku, turklāt Jums abas rokas būs brīvas instrumenta lietošanai.
- b) **Pārliecinieties, vai ievietojamo instrumentu savienojumu sistēmas atbilst iekārtas fiksācijas patronai un tie tajā droši nofiksējas.**
- c) **Pārliecinieties, vai skrūves un apstrādājamā detaļa ir piemērotas iekārtas radītajam griezes momentam.** Pārmērīgs griezes moments var pārslogot, deformēt vai sabojāt skrūvi vai apstrādājamo detaļu, kā arī radīt bīstamas situācijas un izraisīt traumas.

5.2.3 Ar akumulatoru darbināmu iekārtu pareiza apkope un lietošana

- a) **Sargājiet akumulatora blokus no augstas temperatūras un uguns.** Pastāv eksplozijas risks.
- b) **Akumulatora blokus nedrīkst izjaukt, saspīest, sakarsēt virs 80°C vai sadedzināt.** Pretējā gadījumā iespējams ugunsgrēks, eksplozija vai ķīmiskie apdegumi.
- c) **Nelietojiet nekādus citus akumulatora blokus, izņemot attiecīgajai iekārtai paredzētos.** Ja tiek lietoti citi akumulatora bloki vai ja akumulatora blokus izmanto citiem mērķiem, pastāv ugunsgrēka un eksplozijas risks.
- d) **Ievērojiet īpašos norādījumus par litija jonu akumulatora bloku transportēšanu, uzglabāšanu un ekspluatāciju.**
- e) **Ja akumulatoru bloki ir bojāti (piemēram, tajos radušās plaisas, tiem ir nolūzušas atsevišķas daļas, tie ir saliekti, ar atlauztiem vai izvilkti kontaktiem), tos nekādā gadījumā nedrīkst mēģināt uzlādēt vai lietot.**
- f) Ja akumulatora bloks ir tik karsts, ka to nevar satvert, iespējams, ka tas ir bojāts. **Novietojiet iekārtu atdzišanai vietā, kas atrodas pietiekamā attālumā no degošiem materiāliem un kur to var pastāvīgi novērot. Kad akumulatora bloks ir atdzisis, sazinieties ar Hilti servisu.**

5.2.4 Elektrodrošība



Piemēram, ar metāla detektora palīdzību, pirms darba uzsākšanas pārbaudiet, vai zem apstrādājamās virsmas neatrodas apslēpti elektriskie vadi, gāzes vai ūdens caurules. Iekārtas ārējās metāla daļas var būt zem sprieguma, ja, piemēram, darba laikā nejauši tiek bojāts elektriskais vads. Tā rezultātā rodas nopietns elektriskā trieciena risks.

5.2.5 Darba vieta

- a) **Rūpējieties par labu darba vietas apgaismojumu.**
- b) **Nodrošiniet darba vietā labu ventilāciju.** Nepietiekama ventilācija darba vietā var novest pie putekļu izraisītiem veselības traucējumiem.

5.2.6 Individuālais aizsargaprīkojums



Lietotājam un tuvumā esošajām personām instrumenta lietošanas laikā jāizmanto piemērotas aizsargbrilles, aizsargķivere, dzirdes aizsarglīdzekļi, aizsargcimdi un viegli elpošanas ceļu aizsardzības līdzekļi.

6 Lietošanas uzsākšana

lv



6.1 Rūpīga akumulatora bloku lietošana

NORĀDĪJUMS

Zemā temperatūrā akumulatora bloka jauda samazinās. Nestrādājiet ar akumulatora bloku līdz tā pilnīgai izlādei, kas izraisa iekārtas izslēgšanos. Savlaicīgi nomainiet izlādēto akumulatora bloku pret otru. Uzreiz uzlādējiet izņemto akumulatora bloku, lai tas būtu gatavs nākošai nomainīšanai.

Uzglabājiet akumulatora bloku pēc iespējas vēsā un sausā vietā. Nekad nenovietojiet akumulatora bloku saulē, uz apkures elementiem vai aiz stikla. Kad akumulatora bloks ir nokalpojis, utilizējiet to atbilstoši vides aizsardzības noteikumiem.

6.2 Akumulatora bloka uzlāde



UZMANĪBU

Jālieto tikai paredzētie Hilti lādētāji, kas minēti sadaļā "Instrumenti un piederumi".

6.2.1 Jauna akumulatora bloka pirmā uzlāde

Pirms ekspluatācijas uzsākšanas jāveic pilnīga akumulatora bloka uzlāde.

6.2.2 Lietota akumulatora bloka uzlāde

Pirms akumulatora bloka ievietošanas lādētājā pārliecinieties, vai tā ārējās virsmas ir tīras un sausas.

Norādījumus par lādēšanas procesu meklējiet lādētāja lietošanas instrukcijā.

Litija jonu akumulatora bloki ir gatavi lietošanai jebkurā brīdī - arī daļēji uzlādētā stāvoklī. Par uzlādes progresu informē LED indikācija (skat. lādētāja lietošanas instrukciju).

6.3 Akumulatora bloka ievietošana

UZMANĪBU

Pirms akumulatora bloka ielikšanas jāpārliecinās, vai iekārta ir izslēgta un vai ir aktivēta ieslēgšanās bloķēšana (labā / kreisā virziena pārslēdzējs atrodas vidējā pozīcijā). Jālieto tikai tādi Hilti akumulatoru bloki, kas ir paredzēti lietošanai kombinācijā ar konkrēto iekārtu.

UZMANĪBU

Pirms akumulatora bloka ievietošanas iekārtā pārliecinieties, ka uz akumulatora bloka un iekārtas kontaktiem nav nekādu svešķermeņu.

1. No aizmugures jāiebīda akumulatora bloks iekārtā, līdz tas pie atdures nofiksējas ar dzirdamu, divkāršu klikšķi.
2. **UZMANĪBU** Ja akumulatora bloks nav nofiksēts kārtīgi, tas darba laikā var nokrist.

UZMANĪBU Akumulatora izkrišana var apdraudēt iekārtas lietotāju un apkārtējos.

Pirms darba uzsākšanas pārbaudiet, vai akumulatora bloks ir kārtīgi nofiksēts iekārtā.

6.4 Akumulatora bloka izņemšana 2

1. Jānospiež abas atbrīvošanas pogas.
2. Virzienā uz aizmuguri jāizvelk akumulatora bloks no iekārtas.

6.5 Akumulatora bloku transportēšana un uzglabāšana

Pavelciet akumulatora bloku un pārvietojiet to no nofiksētās pozīcijas (darba stāvokļa) pirmajā pagaidu pozīcijā (transportēšanas stāvoklī).

Ja akumulatora bloks pirms iekārtas transportēšanas vai novietošanas uzglabāšanā tiek izņemts pavisam, pārliecinieties, ka tā kontakti ir pasargāti no īssavienojuma. Izņemiet no kofera, instrumentu kārbas vai transportēšanas iepakojuma nenostiprinātus metāla priekšmetus, piemēram, skrūves, naglas, skavas, skrūvēšanas uzgaļus, stieples vai metāla skaidas, vai citādā veidā nodrošiniet, lai šie priekšmeti nevarētu nonākt saskarē ar akumulatora blokiem.

Nosūtot akumulatora blokus (ar autotransportu, pa dzelzceļu, jūru vai ar aviotransportu), ievērojiet nacionālo un starptautisko transporta noteikumu prasības.

lv

7 Lietošana



7.1 Instrumentu nomaīņa

NORĀDĪJUMS

Lai droši nofiksētu instrumentu, iekārta ir aprīkota ar 1/2" ārējā četrstūra stiprinājumu ar puslodi vai 3/4" ārējā četrstūra stiprinājumu ar fiksācijas tapu.

7.1.1 Instrumenta nomaīņa 1/2" ārējā četrstūra stiprinājumam ar puslodi

NORĀDĪJUMS

Pavērsiet sānu atveri tā, lai tā sakristu ar instrumenta stiprinājuma puslodi, pretējā gadījumā instruments nebūs nodrošināts pret atbrīvošanos no fiksācijas.

7.1.1.1 Zvaigznītes (instrumenta) montāža 3

1. Jāpārslēdz labā / kreisā rotācijas virziena pārslēdzējs vidējā pozīcijā vai jāatvieno no iekārtas akumulatora bloks.
2. Pavērsiet sānu atveri tā, lai tā atbilstu instrumenta stiprinājuma puslodes novietojumam.
3. Uzspiediet zvaigznīti patronai, līdz tā nofiksējas.

7.1.1.2 Zvaigznītes (instrumenta) demontāža 4

1. Jāpārslēdz labā / kreisā rotācijas virziena pārslēdzējs vidējā pozīcijā vai jāatvieno no iekārtas akumulatora bloks.
2. Noņemiet zvaigznīti no instrumenta stiprinājuma.

7.1.2 Instrumenta nomaīņa 3/4" ārējā četrstūra stiprinājumam ar fiksācijas tapu

7.1.2.1 Zvaigznītes (instrumenta) montāža 5

1. Jāpārslēdz labā / kreisā rotācijas virziena pārslēdzējs vidējā pozīcijā vai jāatvieno no iekārtas akumulatora bloks.
2. Izņemiet apaļā šķērsriezuma gredzenu no zvaigznītes rievās.
3. Izvelciet fiksācijas tapu.
4. Uzlieciet zvaigznīti uz iekārtas piedziņas četrstūra.

NORĀDĪJUMS Raugieties, lai piedziņas četrstūra un zvaigznītes atveres, kas paredzētas fiksācijas tapas nostiprināšanai, sakristu.

5. Vispirms piemontējiet fiksācijas tapu un pēc tam uzlieciet atpakaļ uz zvaigznītes apaļā šķērsriezuma gredzenu.

7.1.2.2 Zvaigznītes (instrumenta) demontāža 6

1. Jāpārslēdz labā / kreisā rotācijas virziena pārslēdzējs vidējā pozīcijā vai jāatvieno no iekārtas akumulatora bloks.
2. Izņemiet apaļā šķērsriezuma gredzenu no zvaigznītes rievas.
3. Izvelciet fiksācijas tapu.
4. Noņemiet zvaigznīti no iekārtas piedziņas četrstūra.
5. Vispirms piemontējiet fiksācijas tapu un pēc tam uzlieciet atpakaļ uz zvaigznītes apaļā šķērsriezuma gredzenu.

7.2 Labā vai kreisā rotācijas virziena noregulēšana 7

NORĀDĪJUMS

Ar labā / kreisā rotācijas virziena pārslēdzēja palīdzību var mainīt vārpstas rotācijas virzienu. Iekšējās aizsardzības mehānisms izslēdz iespēju pārslēgt rotācijas virzienu motora darbības laikā. Vidējā pozīcijā ir bloķēts vadības slēdzis. Jāpārslēdz labā / kreisā rotācijas virziena pārslēdzējs labajā pozīcijā (skatoties iekārtas darbības virzienā) = rotācija uz labo pusi. Jāpārslēdz labā / kreisā rotācijas virziena pārslēdzējs kreisajā pozīcijā (skatoties iekārtas darbības virzienā) = rotācija uz kreiso pusi.

iv

7.3 Ieslēgšana / izslēgšana

Lēnām nospiežot vadības slēdzi, rotācijas ātrumu iespējams bez fiksētām pakāpēm noregulēt robežās starp minimālo un maksimālo.

7.4 Skrūves

BRĪDINĀJUMS

Pārliecinieties, vai skrūves un apstrādājamā detaļa ir piemērotas iekārtas radītajam griezes momentam. Pārmērīgs griezes moments var pārslogot, deformēt vai sabojāt skrūvi vai apstrādājamo detaļu, kā arī radīt bīstamas situācijas un izraisīt traumas.

Ar labā / kreisā rotācijas virziena pārslēdzēju jāizvēlas vajadzīgais rotācijas virziens.

7.5 Litija jonu akumulatora bloka uzlādes statusa indikācijas nolasišana 8

NORĀDĪJUMS

Darba laikā nolasīt uzlādes statusu nav iespējams. LED 1 mirgošana informē tikai par akumulatora pilnīgu izlādēšanos vai sarkšanu (temperatūra >80°C). Šādā gadījumā akumulatora bloks jāievieto lādētājā. Ja mirgo visas 4 LED, tas nozīmē, ka iekārta ir pārslogota vai pārkarusi.

Akumulatora blokam litija jonu ir uzlādes statusa indikācija. Uzlādes laikā akumulatora bloka indikācija informē par uzlādes statusu (skat. litija jonu akumulatora bloka uzlādes statusu). Kad iekārta nedarbojas, par uzlādes statusu pēc akumulatora bloka fiksācijas taustiņa nospiešanas trīs sekundes ilgi informē četru LED indikācija.

7.6 Jostas āķis 9

UZMANĪBU

Pirms darba uzsākšanas pārbaudiet, vai jostas āķis ir kārtīgi nofiksēts.

Ar jostas āķa palīdzību Jūs varat nostiprināt iekārtu pie jostas tā, lai tā piekļautos ķermenim. Pastāv arī iespēja nostiprināt jostas āķi otrā iekārtas pusē, lai atvieglotu darbu ar iekārtu kreīļiem.

1. Izvelciet akumulatora bloku no iekārtas.
2. Iespraudiet pieskrūvējamo plāksni paredzētajā vadotnē.
3. Nostipriniet jostas āķi ar divām skrūvēm.

8 Apkope un uzturēšana

UZMANĪBU

Pirms tīrīšanas darbu uzsākšanas jānoņem akumulatora bloks, lai novērstu nejaušas ieslēgšanās iespējas!

8.1 Instrumentu kopšana

Notīriet no ievietojamo instrumentu virsmas netīrumus un laiku pa laikam apstrādājiet to ar eļļā samitrinātu drāniņu, lai pasargātu no korozijas.

8.2 Iekārtas apkope

UZMANĪBU

Nodrošini, lai iekārta un jo sevišķi tās satveršanas virsmas būtu sausas un tīras un uz tām nebūtu eļļa vai smērvielas. Nedrīkst izmantot silikonu saturošus kopšanas līdzekļus.

Iekārtas korpuss ir ražots no triecienizturīgas plastmasas. Roktura daļas ir izgatavotas no elastomēru materiāla.

Nekad nedarbiniet iekārtu, ja ir nosprostotas tās ventilācijas atveres! Uzmanīgi iztīriet atveres ar sausu birstīti. Nepieļaujiet svešķermeņu iekļūšanu iekārtas iekšienē. Iekārtas ārpusi regulāri notīriet ar viegli samitrinātu drāniņu. Iekārtas tīrīšanai nelietojiet aerosolus, tvaika tīrīšanas iekārtas vai ūdens strūklu! Tas var negatīvi ietekmēt elektrodrošību.

8.3 Litija jonu akumulatora bloku apkope

Nedrīkst pieļaut mitruma iekļūšanu.

Pirms pirmās lietošanas akumulatora bloks pilnībā jāuzlādē.

Lai akumulatora bloks kalpotu pēc iespējas ilgāk, tas jāizņem un jāuzlādē, tiklīdz ievērojami samazinās elektroiekārtas jauda.

NORĀDĪJUMS

Turpinot darbināt iekārtu, izlāde automātiski tiks pabeigta un akumulatora bloka LED 1 mirgos, lai nepieļautu akumulatora elementu bojājumus.

Izmantojiet uzlādei sertificētus Hilti lādētājus, kas paredzēti litija jonu akumulatoru blokiem.

NORĀDĪJUMS

- Šiem akumulatoru blokiem nav jāveic atjaunojošā uzlāde, kas ir nepieciešama NiCd vai NiMH akumulatoriem.
- Uzlādes procesa pārtraukšanai nav nelabvēlīgas ietekmes uz akumulatora bloka kalpošanas ilgumu.
- Uzlādes procesu jebkurā brīdī iespējams atsākt, neietekmējot akumulatora bloka kalpošanas ilgumu. Atmiņas efekta, kas piemīt NiCd vai NiMH akumulatora blokiem, šeit nav.
- Akumulatoru blokus ieteicams uzglabāt pilnībā uzlādētā stāvoklī, vēsā un sausā vietā. Uzglabāšana augstā temperatūrā (piemēram, uz palodzes) nav vēlama, jo tā saīsina akumulatora bloka kalpošanas ilgumu un veicina pašizlādi.
- Ja akumulatora bloku vairs nav iespējams uzlādēt pilnībā, tas nozīmē, ka ilgās kalpošanas vai pārslodzes rezultātā ir samazinājies tā kapacitāte. Strādāt ar šādu akumulatora bloku vēl var, taču jāņem vērā, ka ar laiku to būs nepieciešams nomainīt pret jaunu.

8.4 Uzturēšana

BRĪDINĀJUMS

Elektrisko daļu remontu drīkst veikt tikai kvalificēti elektrotehnikas speciālisti.

Regulāri pārliedziniet, ka visas iekārtas ārējās daļas ir nebojātas un visi elementi ir nevainojamā tehniskā stāvoklī. Nedarbiniet iekārtu, ja tās daļas ir bojātas vai vadības elementi nefunkcionē nevainojami. Jāuzdod veikt iekārtas remontu Hilti servisa darbiniekiem.

8.5 Pārbaude pēc apkopes un uzturēšanas darbiem

Pēc apkopes un uzturēšanas darbiem ir jāpārbauda, vai ir pievienoti visi aizsardzības mehānismi un vai to darbība ir nevainojama.

9 Traucējumu diagnostika

Problēma	Iespējamais iemesls	Risinājums
Iekārta nedarbojas.	Akumulatora bloks nav ielikts līdz galam vai ir izlādējies.	Akumulatora blokam jānofiksējas ar sadzirdamu dubultklikšķi vai jāveic akumulatora bloka uzlāde.
	Elektriskas kļūmes.	Jāizņem akumulatora bloks no iekārtas un jāgriežas pie Hilti servisa darbiniekiem.
Iekārta nedarbojas, un mirgo 1 LED.	Akumulatora bloks ir izlādējies.	Jānomaina akumulatora bloks un jāveic tukšā bloka uzlāde.

Problēma	Iespējamais iemesls	Risinājums
Iekārta nedarbojas, un mirgo 1 LED.	Akumulatora bloks ir pārāk auksts vai pārāk karsts.	Jānodrošina akumulatora blokam nepieciešamā darba temperatūra.
Iekārta nedarbojas, un mirgo visas 4 LED.	Iekārta īslaicīgi pārslēgta. Termiskā aizsardzība.	Jāatlaiž un no jauna jānospiež vadības slēdzis. Jāļauj iekārtai atdzist. Jāiztīra ventilācijas atveres.
Ieslēgšanas / izslēgšanas slēdzi nav iespējams nospiezt, respektīvi, tas ir nobloķēts.	Labā / kreisā rotācijas virziena slēdzis vidējā pozīcijā (transportēšanas pozīcija).	Labā / kreisā rotācijas virziena slēdzis jāpārslēdz labajā vai kreisajā pozīcijā.
Pēkšņi ievērojami samazinās rotācijas ātrums.	Akumulatora bloks ir izlādējies.	Jānomaina akumulatora bloks un jāveic tukšā bloka uzlāde.
Akumulatora bloks izlādējas ātrāk nekā parasti.	Akumulatora bloka stāvoklis nav optimāls.	Diagnostika Hilti servisā vai akumulatora bloka nomaiņa.
Akumulatora bloks nenofiksējas ar sadzirdamu dubultklikšķi.	Netīras akumulatora fiksācijas mēlītes.	Jānotīra fiksācijas mēlītes un jānofiksē akumulatora bloks. Ja problēmas saglabājas, jāgriežas pie Hilti servisa darbiniekiem.
Iekārta vai akumulators spēcīgi sakarst.	Elektrisks defekts. Iekārtas pārslodze (pārsniegtas ekspluatācijas robežas).	Iekārta nekavējoties jāizslēdz, akumulatora bloks jāizņem no iekārtas un jāgriežas Hilti servisā. Iekārtas izvēle atbilstoši lietošanas veidam.

lv

10 Nokalpojušo instrumentu utilizācija

UZMANĪBU

Ja aprīkojuma utilizācija netiek veikta atbilstoši priekšrakstiem, iespējamas šādas sekas: plastmasas daļu sadedzināšanas rezultātā izdalās toksiskas gāzes, kas var kaitēt cilvēku veselībai. Ja baterijas tiek mehāniski bojātas vai spēcīgi sakarsētas, tās var eksplodēt un izraisīt saindēšanos, termiskos vai ķīmiskos apdegumus un vides piesārņojumu. Viegļprātīgi izmetot aprīkojumu atkritumos, jūs dodat iespēju nepiederošām personām izmantot to nesankcionētos nolūkos. Tā rezultātā šīs personas var savainoties pašas vai savainot citus, vai radīt vides piesārņojumu.

UZMANĪBU

Bojāti akumulatora bloki nekavējoties jāutilizē. Tie nedrīkst būt pieejami bērniem. Nekādā gadījumā nemēģiniet akumulatora blokus izjaukt vai sadedzināt.

UZMANĪBU

Akumulatora bloki jāutilizē saskaņā ar nacionālajiem normatīviem vai jānodod atpakaļ Hilti.



"Hilti" iekārtu izgatavošanā tiek izmantoti galvenokārt otrreiz pārstrādājami materiāli. Priekšnosacījums otrreizējai pārstrādei ir atbilstoša materiālu šķirošana. Daudzās valstīs Hilti ir izveidojis sistēmu, kas pieļauj veco ierīču pieņemšanu otrreizējai pārstrādei. Jautājiet Hilti klientu apkalpošanas servisā vai savam pārdevējam – konsultantam.



Tikai ES valstīs

Neizmetiet elektroiekārtas sadzīves atkritumos!

Saskaņā ar Eiropas Direktīvu par elektrisko un elektronisko iekārtu atkritumiem un tās īstenošanai paredzētajām nacionālās likumdošanas normām nolietotās elektroiekārtas un akumulatoru bloki jāsavāc atsevišķi un jānodod utilizācijai saskaņā ar vides aizsardzības prasībām.

11 Iekārtas ražotāja garantija

Hilti garantē, ka piegādātajai iekārtai nepiemīt ar materiālu un izgatavošanas procesu saistīti defekti. Šī garantija ir spēkā ar nosacījumu, ka iekārta tiek pareizi lietota, kopta un tīrīta saskaņā ar Hilti lietošanas instrukcijas noteikumiem un ka tiek ievērota tehniskā vienotība, respektīvi, kombinācijā ar iekārtu lietoti tikai oriģinālie Hilti patēriņa materiāli, piederumi un rezerves daļas.

Šī garantija ietver bojāto daļu bezmaksas remontu vai nomaiņu visā iekārtas kalpošanas laikā. Uz daļām, kas ir pakļautas dabīgam nodilumam, šī garantija neattiecas.

Tālākas pretenzijas netiek pieņemtas, ja vien tas nav pretrunā ar saistošiem nacionāliem normatīviem. Sevišķi Hilti neuzņemas nekādu atbildību par tiešiem vai netiešiem bojājumiem vai to sekām, zaudējumiem vai izmaksām, kas rodas saistībā ar iekārtas izmantošanu noteiktiem mērķiem vai šādas izmantošanas neiespējamību. Neatrunātas garantijas par iekārtas izmantošanu vai piemērotību noteiktiem mērķiem tiek izslēgtas.

Lai veiktu remontu vai daļu nomaiņu, iekārta vai bojātās daļas uzreiz pēc defekta konstatēšanas nekavējoties jānosūta Hilti tirdzniecības organizācijai.

Šī garantija aptver pilnīgi visas garantijas saistības, ko uzņemas Hilti, un aizstāj jebkādus agrākos vai paralēlos paskaidrojumus un mutiskas vai rakstiskas vienošanās saistībā ar garantiju.

12 EK atbilstības deklarācija (oriģināls)

Apzīmējums:	Bezvada trieciena uzgriežņu atslēga
Tips:	SIW 22T-A
Paaudze:	01
Konstruēšanas gads:	2013

Mēs uz savu atbildību deklarējam, ka šis produkts atbilst šādām direktīvām un normām: EN 60745-1, EN 60745-2-2, 2006/42/EK, 2004/108/EK, 2006/66/EK, 2011/65/ES, EN ISO 12100.

Hilti Corporation, Feldkircherstrasse 100, FL-9494 Schaan

Paolo Luccini
Head of BA Quality and Process Management
Business Area Electric Tools & Accessories
06/2013

Jan Doongaji
Executive Vice President
Business Unit Power Tools & Accessories
06/2013

Tehniskā dokumentācija:

Hilti Entwicklungsgesellschaft mbH
Zulassung Elektrowerkzeuge
Hiltistrasse 6
86916 Kaufering
Deutschland

ORIGINALI NAUDOJIMO INSTRUKCIJA

SIW 22T-A Akumulatorinis smūginis veržliasukis

Prieš pradėdami naudotis atidžiai perskaitykite naudojimo instrukciją.

Šią naudojimo instrukciją visada saugokite kartu su prietaisu.

Perduokite prietaisą kitiems asmenims tik kartu su naudojimo instrukcija.

Turinys

1	Bendrieji nurodymai	139
2	Aprašymas	140
3	Priedai	141
4	Techniniai duomenys	142
5	Saugos nurodymai	143
6	Prieš pradėdami naudotis	147
7	Darbas	148
8	Techninė priežiūra ir remontas	149
9	Gedimų aptikimas	150
10	Utilizacija	151
11	Prietaiso gamintojo teikiama garantija	151
12	EB atitikties deklaracija (originali)	152

Šiais skaitmenimis žymimos nuorodos į atitinkamas iliustracijas. Teksto iliustracijos pateiktos atlenkiamuose viršelio puslapiuose. Studijuodami instrukciją, laikykite juos atverstus.

Šios naudojimo instrukcijos tekste vartojamas žodis „prietaisas“ visada reiškia akumulatorinį smūginį veržliasukį SIW 22T-A su užfiksuotu akumuliatoriumi.

Valdymo elementai ir prietaiso mazgai

- Įrankio griebtuvas
- Valdymo jungiklis (su elektroniniu sukimosi greičio reguliavimu)
- Dešininės/kairinės eigos perjungiklis su įjungimo blokatatoriumi
- Atblokavimo mygtukai su papildoma įkrovos lygio indikatoriaus įjungimo funkcija
- Firminė duomenų lentelė
- Įkrovos lygio ir sutrikimų indikatorius (Li-Ion akumuliatoriaus)
- Diržo kablys (galimas priedas)

1 Bendrieji nurodymai

1.1 Signaliniai žodžiai ir jų reikšmė

-PAVOJINGA-

Šis įspėjimas vartojamas norint atkreipti dėmesį į pavojingą situaciją, kai galite susižaloti ar net žūti.

ĮSPĖJIMAS

Šis žodis vartojamas, siekiant įspėti, kad nesilaikant instrukcijos reikalavimų kyla rimto sužeidimo ar mirties pavojus.

ATSARGIAI

Šis žodis vartojamas norint atkreipti dėmesį į pavojingą situaciją, kuri gali tapti lengvo žmogaus sužalojimo, prietaiso gedimo ar kito turto pažeidimo priežastimi.

NURODYMAS

Naudojimo nurodymai ir kita naudinga informacija.

1.2 Piktogramų ir kitų nurodymų paaiškinimai

Įspėjamieji ženklai



Bendro pobūdžio
įspėjimas



Įspėjimas:
pavojinga
elektros įtampa



Įspėjimas:
ėsdinančios
medžiagos

Įpareigojantys ženklai



Užsidėkite
apsauginius
akinius



Užsidėkite
apsauginį šalmą



Naudokite
klausos
apsaugos
priemones



Užsimaukite
apsaugines
pirštines



Naudokite lengvą
respiratorių

Simboliai



Prieš naudodami
perskaitykite
instrukciją



Grąžinkite
atliekas antriniam
perdirbimui



Volta



Nuolatinė srovė

n_0

Vardinis
tuščiosios eigos
apsisukimų
skaičius

/min

Apsisukimai per
minutę

Prietaiso identifikacinių duomenų vieta

Prietaiso tipas yra nurodytas techninių duomenų lentelėje, o serijos numeris – ant variklio korpuso, šone. Užsirašykite šiuos duomenis savo instrukcijose ir visuomet juos nurodykite, norėdami pasikonsultuoti su „Hilti“ atstovu ar techninės priežiūros centru.

Tipas:

Karta: 01

Serijos Nr.:

2 Aprašymas

2.1 Naudojimas pagal paskirtį

SIW 22T-A yra ranka valdomas akumuliatorinis smūginis veržliasukis. Jis yra skirtas veržlėms ir varžtams, kaiščiams ir medvaržčiams prisukti bei atsukti.

Neleidžiama apdirbti sveikatai kenksmingų medžiagų (pvz., asbesto).

Taip pat laikykitės ir nacionalinių darbų saugos reikalavimų.

Nenaudokite akumuliatorių kaip maitinimo šaltinio kitiems nurodytiems energijos imtuvams.

Draudžiama keisti ar modifikuoti prietaisą.

Norėdami išvengti pavojaus susižaloti, naudokite tik originalius „Hilti“ priedus ir įrankius.

Prietaiso negalima naudoti darbams, kurių metu turi būti pasiekiamas tikslus / užduotas sukimo momentas. Prietaisą naudojant darbams, kurių metu reikia pasiekti užduotą sukimo momentą arba negalima viršyti maksimalaus sukimo momento, kyla grėsmė varžtą persukti ir sugadinti (taip pat ir gaminį). Tokiems darbams reikia naudoti prietaisus, turinčius nustatomą sukimo momentą.

Laikykitės naudojimo instrukcijoje pateiktų nurodymų dėl darbo su įrenginiu, jo priežiūros ir remonto.

Prietaisas yra skirtas profesionalams, todėl jį naudoti, atlikti techninę priežiūrą ir remontuoti leidžiama tik įgaliotiems, instruktuotiems darbuotojams. Šie darbuotojai turi būti specialiai instruktuoti apie galimus pavojus. Šis prietaisas ir pagalbinės jo priemonės gali būti pavojingi, jeigu jais netinkamai naudosis neapmokyti darbuotojai arba jie bus naudojami ne pagal paskirtį.

Darbo aplinka gali būti statybų aikštelės, dirbtuvės, renovuojami, rekonstruojami ir naujai statomi pastatai.

2.2 Įrankio griebtuvas

½" išorinis keturbriaunis įrankio griebtuvas su rutuliniu fiksatoriumi
¾" išorinis keturbriaunis įrankio griebtuvas su kaištiniu fiksatoriumi

2.3 Jungikliai

Valdymo jungiklis su elektroniniu sukimosi greičio reguliatoriumi
Dešininės / kairinės eigos perjungiklis su įjungimo blokatoriumi

2.4 Pakuotėje yra:

- 1 Prietaisas
- 1 Naudojimo instrukcija
- 1 „Hilti“ lagaminas

2.5 Kartoninėje pakuotėje tiekiamas komplektas:

- 1 Prietaisas
- 1 Naudojimo instrukcija

2.6 Kad prietaisą būtų galima eksploatuoti, papildomai reikalinga

Akumuliatorius B 22/2.6 Li-Ion arba B 22/3.3 Li-Ion su krovikliu C4/36-90, C4/36-350, C 4/36, C 4/36-ACS arba C 4/36-ACS TPS.

2.7 Ličio jonų akumuliatoriaus įkrovos lygio ir perkaitimo indikatorius

Nuolat šviečiantis šviesos diodas	Mirksintis šviesos diodas	Įkrovos lygis C
1, 2, 3, 4 šviesos diodai	-	$C \geq 75 \%$
1, 2, 3 šviesos diodai	-	$50 \% \leq C < 75 \%$
1, 2 šviesos diodai	-	$25 \% \leq C < 50 \%$
1 šviesos diodas	-	$10 \% \leq C < 25 \%$
-	1 šviesos diodas	$C < 10 \%$
-	1 šviesos diodas	Akumuliatorius perkaitęs

2.8 Prietaiso perkrovos ir perkaitimo indikatorius

Prietaise įrengta elektroninė apsauga nuo perkrovos ir perkaitimo. Perkrautas ir perkaitęs prietaisas automatiškai išjungiamas. Tuo metu atleidus ir vėl paspaudus valdymo jungiklį, prietaisas gali ir neįsijungti (įjungimas užlaikomas tol, kol prietaisas atvės).

Nuolat šviečiantis šviesos diodas	Mirksintis šviesos diodas	Prietaiso būklė
-	1, 2, 3, 4 šviesos diodai	Prietaisas perkrautas arba perkaitęs

3 Priedai

Pavadinimas	Sutrumpintas žymėjimas
Galinio rakto galvutė	S-NSD ir SV
Kroviklis ličio jonų akumuliatoriui	C 4/36
Kroviklis ličio jonų akumuliatoriui	C 4/36-ACS
Kroviklis ličio jonų akumuliatoriui	C 4/36-ACS TPS
Kroviklis ličio jonų akumuliatoriui	C 4/36-90

Pavadinimas	Sutrumpintas žymėjimas
Kroviklis ličio jonų akumuliatoriui	C 4/36-350
Akumuliatorius	B 22/3.3 Li-Ion
Akumuliatorius	B 22/2.6 Li-Ion
Akumuliatorius	B 22/1.6 Li-Ion
Diržo kablys	

4 Techniniai duomenys

Gamintojas pasilieka teisę vykdyti techninius pakeitimus!

Prietaisas	SIW 22T-A 1/2"	SIW 22T-A 3/4"
Nominali maitinimo įtampa (nuolatinė)	21,6 V	21,6 V
Svoris pagal EPTA-Procedure 01/2003	3 kg	3,2 kg
Matmenys (l x P x A)	232 mm x 94 mm x 258 mm	251 mm x 94 mm x 258 mm
Nominalus tuščiosios eigos sukimosi greitis	0...2000/min	0...2000/min
Smūgių skaičius	Maks. 2500 1/min	Maks. 2500 1/min
Sukimo momentas	450 Nm	450 Nm
Standartinis varžtas	M12-M24	M12-M24
Labai tvirtas varžtas	M8-M16	M8-M16
Įrankio griebtuvas	1/2" išorinis keturbriaunis su rutuliniu fiksatoriumi	3/4" išorinis keturbriaunis su fiksavimo kaiščiu
Sukimosi greičio valdymas	Elektroniniu būdu valdymo jungikliu	Elektroniniu būdu valdymo jungikliu
Dešininė / kairinė eiga	Elektr. perjungiklis su perjungimo veikimo metu blokatoriumi	Elektr. perjungiklis su perjungimo veikimo metu blokatoriumi
Apsauga nuo visiško iškrovimo	Yra	Yra

NURODYMAS

Informacija apie triukšmą (išmatuota pagal EN 60745-1):

Prietaisas	SIW 22T-A 1/2"	SIW 22T-A 3/4"
Tipinis pagal A normuotas garso stiprumo lygis	108 dB (A)	111 dB (A)
Tipinis pagal A normuotas sklaidžiamo garso slėgio lygis	97 dB (A)	100 dB (A)
Nurodytų triukšmo lygio reikšmių paklaida	3 dB (A)	3 dB (A)

NURODYMAS

Šiuose nurodymuose pateiktas svyravimų lygis yra išmatuotas taikant standarte EN 60745 nurodytą matavimo metodą ir gali būti naudojamas elektriniams įrankiams palyginti tarpusavyje. Jis taip pat tinka vibracinei apkrovai iš anksto įvertinti. Nurodytas svyravimų lygis yra susietas su pagrindinėmis šio elektrinio įrankio naudojimo sąlygomis ir būdais. Jeigu elektrinis įrankis bus naudojamas kitaip, su skirtingais keičiamaisiais įrankiais arba bus nepakankamai techniškai prižiūrimas, jo svyravimų lygis gali skirtis nuo nurodytojo. Tai gali gerokai padidinti vibracinę apkrovą per visą darbo laikotarpį. Norint tiksliai nustatyti vibracinę apkrovą, reikėtų įvertinti ir laiką, kai prietaisas yra išjungtas, arba, nors ir įjungtas, juo faktiškai nedirbama. Toks įvertinimas gali smarkiai sumažinti vibracinės apkrovos per visą darbo laikotarpį reikšmę. Imkitės papildomų saugos priemonių, kad darbuotojas būtų apsaugotas nuo svyravimų / vibracijų poveikio, pavyzdžiui: reikalaukite tinkamos elektrinio įrankio ir keičiamųjų įrankių tech-

ninės priežiūros, pasirūpinkite, kad darbuotojų rankos visada būtų šiltos, užtikrinkite tinkamą darbo organizavimą.

Papildoma informacija pagal EN 60745

Vibracijų reikšmės trijose ašyse išmatuota pagal EN 60745-2-2 (vibracijų vektorinė suma)

½" įrankiui maksimalaus dydžio 14,5 m/s²
tvirtinimo elementų smūginis
sukimas, a_h

¾" įrankiui maksimalaus dydžio 14,2 m/s²
tvirtinimo elementų smūginis
sukimas, a_h

Paklaida (K) 1,5 m/s²

Akumuliatorius	B 22/3.3 Li-lon	B 22/2.6 Li-lon	B 22/1.6 Li-lon
Nominali maitinimo įtampa	21,6 V	21,6 V	21,6 V
Akumuliatoriaus talpa	3,3 Ah	2,6 Ah	1,6 Ah
Svoris	0,78 kg	0,78 kg	0,48 kg
Įkrovimo temperatūros kontrolė	yra	yra	yra
Iškrovimo temperatūros kontrolė	yra	yra	yra
Akumuliatoriaus elementų tipas	Li-lon	Li-lon	Li-lon
Elementų blokas	12 vnt.	12 vnt.	6 vnt.
Energijos kiekis	71,28 Wh	56,16 Wh	34,56 Wh

5 Saugos nurodymai

NURODYMAS

Saugos nurodymuose, kurie yra tolesniame skyriuje, yra pateikti visi bendrieji elektrinių įrankių naudojimo saugos nurodymai, kurie, remiantis taikytinomis normomis, turi būti pateikiami naudojimo instrukcijoje. Tačiau šiuose skyriuose gali būti nurodymų, kurie šiam prietaisui nėra svarbūs.

5.1 Bendrieji saugos nurodymai elektriniams įrankiams

a) ĮSPĖJIMAS

Perskaitykite visus saugos nurodymus ir instrukcijas. Šių saugos nurodymų ir instrukcijų nesilaikymas gali tapti elektros smūgio, gaisro ir / arba sunkių sužalojimų priežastimi. **Išsaugokite visus saugos nurodymus ir instrukcijas, kad galėtumėte į juos pažvelgti ateityje.** Saugos nurodymuose vartojama sąvoka „elektrinis įrankis“ apibrėžiami iš elektros tinklo maitinami elektriniai įrankiai (turintys maitinimo kabelį) ir iš akumuliatorių baterijos maitinami elektriniai įrankiai (be maitinimo kabelio).

5.1.1 Darbo vietos sauga

- Pasirūpinkite, kad darbo vieta visada būtų švari ir gerai apšviesta.** Netvarkinga ar blogai apšviesta darbo vieta gali tapti nelaimingų atsitikimų priežastimi.
- Nenaudokite šio elektrinio įrankio sprogyje aplinkoje, kurioje yra degių skysčių, dujų arba dulkių.** Dirbdami elektriniai įrankiai kibirkščiuoja, ir kibirkštys gali uždegti dulkes arba susikaupusius garus.
- Dirbdami elektriniu įrankiu, neleiskite darbo zonoje būti vaikams ir pašaliniais asmenims.** Nukreipę dėmesį į kitus asmenis, galite nebesuvaldyti prietaiso.

5.1.2 Elektrosauga

- Elektrinio įrankio maitinimo kabelio kištukas turi atitikti elektros lizdo tipą.** Kištuko jokia būdu negalima keisti. **Nenaudokite tarpinių kištukų kartu su elektriniais įrankiais, turinčiais apsauginį įžeminimą.** Nepakeisti kištukai ir tinkami elektros lizdai sumažina elektros smūgio riziką.

- b) **Venkite kūno kontakto su žemintais paviršiais, pvz., vamzdžiais, šildytuvais, viryklėmis ir šaldytuvais.** Kai žmogaus kūnas yra žemintas, padidėja elektros smūgio tikimybė.
- c) **Saugokite elektrinius įrankius nuo lietaus ir drėgmės.** Į elektrinį įrankį patekus vandens, padidėja elektros smūgio rizika.
- d) **Nenaudokite maitinimo kabelio ne pagal paskirtį, t.y. ne-neškite elektrinio įrankio paėmę už kabelio, nekabinkite jo ant kabelio, netraukite už kabelio, norėdami ištraukti kištuką iš elektros lizdo. Maitinimo kabelį saugokite nuo karščio, alyvos/tepalo, aštrių briaunų ar judančių prietaiso dalių.** Pažeisti arba susipynę kabeliai didina elektros smūgio riziką.
- e) **Jei elektriniu įrankiu dirbate lauke, naudokite tik tuos ilginimo kabelius, kurie tinka lauko darbams.** Naudojant lauko darbams pritaikytus ilginimo kabelius, sumažėja elektros smūgio rizika.
- f) **Jeigu negalima išvengti elektrinio įrankio naudojimo drėgnoje aplinkoje, į elektros tinklą jįjunkite per apsauginę nuotėkio relę.** Apsauginė nuotėkio relė mažina elektros smūgio riziką.

5.1.3 Žmonių sauga

- a) **Dirbdami elektriniu įrankiu būkite atidūs, sutelkite dėmesį į darbą ir vadovaukitės sveika nuovoka. Nedirbkite su elektriniu įrankiu, jei esate pavargę, vartojote narkotikus, alkoholį ar vaistus.** Dirbant elektriniu įrankiu, akimirksnį nuo darbo atitrauktas dėmesys gali tapti rimtų sužalojimų priežastimi.
- b) **Naudokite asmenines apsaugos priemones ir visuomet užsidėkite apsauginius akinius.** Naudojant asmenines apsaugos priemones, pvz., respiratorių ar apsauginę kaukę, neslystančius batus, apsauginį šalną, ausines ir kt., priklausomai nuo elektrinio įrankio tipo ir naudojimo, sumažėja rizika susižaloti.
- c) **Saugokitės, kad neįjungtumėte prietaiso atsitiktinai. Prieš prijungdami prie elektros maitinimo tinklo, įdėdami akumuliatorių, imdami į rankas ar nešdami, įsitikinkite, kad elektrinis įrankis yra išjungtas.** Jeigu nešdami elektrinį įrankį pirštą laikysite ant jungiklio arba įrankį įjungsite į elektros tinklą tuomet, kai jungiklis nėra išjungtas, gali įvykti nelaimingas atsitikimas.
- d) **Prieš įjungdami elektrinį įrankį pašalinkite reguliavimo įrankius ar veržlinius raktus.** Prietaiso besisukančioje dalyje esantis įrankis ar paliktas raktas gali tapti sužalojimų priežastimi.
- e) **Venkite nepatogių kūno padėčių. Dirbdami stovėkite tvirtai ir visada išlaikykite kūno pusiausvyrą.** Taip galėsite geriau kontroliuoti elektrinį įrankį netikėtose situacijose.
- f) **Dėvėkite tinkamą aprangą. Nevilkėkite plačių drabužių, nesidėkite papuošalų. Saugokite plaukus, drabužius ir pirštines nuo besisukančių prietaiso dalių.** Laisvus drabužius, papuošalus bei ilgus plaukus gali įtraukti besisukančios prietaiso dalys.
- g) **Jei yra numatyta galimybė prijungti dulkių nusiurbimo ar surinkimo įrenginius, visada įsitikinkite, kad jie yra prijungti ir tinkamai naudojami.** Naudojant dulkių nusiurbimo įrenginį, gali sumažėti dulkių keliama grėsmė.

5.1.4 Elektrinio įrankio naudojimas ir elgesys su juo

- a) **Neperkraukite prietaiso. Naudokite Jūsų darbui tinkamą elektrinį įrankį.** Su tinkamu elektriniu įrankiu Jūs dirbsite geriau ir saugiau, jei neviršysite nurodytos galios.
- b) **Nenaudokite elektrinio įrankio su sugedusiu jungikliu.** Elektrinis įrankis, kurio nebegalima įjungti ar išjungti, yra pavojingas ir jį reikia remontuoti.
- c) **Prieš atlikdami prietaiso nustatymus, keisdami priedus ar tiesiog padėdami prietaisą į šalį, visuomet ištraukite maitinimo kabelio kištuką iš elektros lizdo ir/arba išimkite akumuliatorių iš prietaiso.** Ši atsargumo priemonė leis išvengti netikėto elektrinio įrankio įsijungimo.
- d) **Nenaudojamus elektros prietaisus saugokite vaikams neprieinamoje vietoje. Neleiskite prietaisu naudotis asmenims, kurie nėra su juo susipažinę arba nėra perskaitę šios instrukcijos.** Elektriniai įrankiai yra pavojingi, kai juos naudoja nepatyrę asmenys.
- e) **Elektrinius įrankius rūpestingai prižiūrėkite. Tikrinkite, ar judančios elektrinio įrankio dalys tinkamai funkcionuoja**

ir niekur nekliūva, ar nėra sulūžusių ir pažeistų dalių, kurios blogintų įrankio veikimą. Prieš naudojimą pažeistos prietaiso dalys turi būti suremontuotos. Blogai prižiūrimi elektriniai įrankiai yra daugelio nelaimingų atsitikimų priežastis.

- f) **Pjovimo įrankiai visuomet turi būti aštrūs ir švarūs.** Rūpestingai prižiūrėti pjovimo įrankiai su aštriomis pjaunamosiomis briaunomis mažiau stringa ir juos yra lengviau valdyti.
- g) **Elektrinį įrankį, reikmenis, keičiamus įrankius ir t. t. naudokite pagal šias instrukcijas. Taip pat atsižvelkite į darbo sąlygas bei atliekamo darbo pobūdį.** Naudojant elektrinius įrankius ne pagal jų paskirtį, dirbti gali būti pavojinga.

5.1.5 Akumuliatorinio įrankio naudojimas ir elgesys su juo

- a) **Akumuliatoriams įkrauti naudokite tik tuos kroviklius, kuriuos rekomenduoja gamintojas.** Jei kroviklis, tinkantis tik nustatytiems akumuliatorių tipams, naudojamas kitiems akumuliatoriams įkrauti, kyla gaisro pavojus.
- b) **Elektriniuose įrankiuose galima naudoti tik konkrečiai jiems skirtus akumuliatorius.** Naudojant kitokius akumuliatorius, kyla pavojus susižaloti ir sukelti gaisrą.
- c) **Nenaudojamo akumuliatoriaus nelaikykite šalia sąvaržėlių, monetų, raktų, vinių, varžtų ar kitokių smulkių metalinių daiktų, kurie galėtų užtrumpinti akumuliatoriaus kontaktus.** Trumpai sujungus akumuliatoriaus kontaktus, galima nusideginti ar sukelti gaisrą.
- d) **Netinkamai naudojant akumuliatorių, iš jo gali ištekėti skystis. Venkite kontakto su šiuo skysčiu. Jei skystis atsitiktinai pateko ant odos, nuplaukite jį vandeniu, jei pateko į akis - gerai praplaukite jas vandeniu ir nedelsdami kreipkitės į gydytoją.** Akumuliatoriaus skystis gali sudirginti arba chemiškai nudeginti odą.

5.1.6 Aptarnavimas

- a) **Elektrinį įrankį turi teisę remontuoti tik kvalifikuotas specialistas, tam jis turi naudoti tik originalias atsargines dalis.** Taip galima užtikrinti, kad bus išlaikytas elektrinio įrankio naudojimo saugumas.

5.2 Papildomi saugos nurodymai

5.2.1 Žmonių sauga

- a) **Jeigu vykdant darbus sukamas varžtas / sraigtas gali paliesti paslėptus elektros laidus, visada laikykite prietaisą už izoliuotų rankenų paviršių.** Dėl varžto / sraigto kontakto su laidais, kuriais teka elektros srovė, metalinėse prietaiso dalyse taip pat gali atsirasti įtampa, todėl kyla elektros smūgio pavojus.
- b) **Užsidėkite ausines.** Per didelis triukšmas gali pakenkti klausai.
- c) **Jei prietaisu dirbate be dulkių nusiurbimo sistemos, atlikdami dulkes sukeliančius darbus būtinai naudokite lengvą respiratorių.**
- d) **Dirbdami darykite pertraukas bei atpalaidavimo pratimus pirštams, kad pagerėtų kraujotaka.**
- e) **Venkite liesti besisukančias prietaiso dalis. Prietaisą įjunkite tik darbo vietoje.** Liečiant besisukančias dalis, o ypač besisukančius įrankius, kyla sunkių sužalojimų pavojus.
- f) **Prietaisą padėdami ir transportuodami įjunkite apsaugantį blokatorių (dešininį / kairinį perjungiklį į perstumkite vidurinę padėtį).**
- g) **Vaikams reikia paaiškinti, kad jiems negalima žaisti su šiuo prietaisu.**
- h) **Prietaisas nėra skirtas naudotis vaikams arba fiziškai silpniems neinstrukuotiems asmenims.**
- i) Dažų, kurių sudėtyje yra švino, kai kurių rūšių medienos, mineralinių medžiagų ir metalo dulkės gali būti kenksmingos sveikatai. Liečiamos ar įkvėptos tokios dulkės darbuotojui ar arti jo esantiems asmenims gali sukelti alergines reakcijas ir/arba kvėpavimo takų susirgimus. Ažuolo arba buko medienos dulkės gali sukelti vėžinius susirgimus, ypač tada, kai naudojami priedai medienai apdoroti (chromatai, medienos konservantai). Medžiagas, kurių sudėtyje yra asbesto, leidžiama apdoroti tik specialistams. **Pagal galimybes naudokite dulkių nusiurbimo įrenginį. Siekdami nusiurbti kuo daugiau dulkių, naudokite tinkamą „Hilti“ rekomenduojamą mobilų medienos ir/arba mineralinių medžiagų dulkių gaudymo įtaisą, skirtą šiam elektriniam įrankiui. Pasirūpinkite, kad darbo**

vieta būtų gerai vėdinama. Rekomenduojama užsidėti P2 filtravimo klasės respiratorių. Laikykitės Jūsų šalyje galiojančių instrukcijų apie konkrečių medžiagų apdirbimą.

5.2.2 Atsargus elektrinių įrankių naudojimas ir elgesys su jais

- Įtvirtinkite apdirbamas detales ar ruošinius. Apdirbamiems ruošiniams įtvirtinti naudokite spaustuvus arba veržtuvus. Taip saugiau, nei laikyti juos rankomis, be to, laisvomis rankomis galėsite tinkamai naudotis prietaisu.
- Patikrinkite, ar įstatomų įrankių jungiamojo antgalio sistema sutampa su griebtuvo sistema ir ar šie įrankiai saugiai įtvirtinti griebtuve.
- Įsitikinkite, kad varžtai ir ruošinys gali atlaikyti prietaiso dinamometrinį momentą. Dėl per didelio dinamometrinio momento gali būti per daug apkraunami, tempiami arba pažeidžiami varžtai arba ruošinys, taip pat kyla pavojingų situacijų ir susižeidimo pavojus.

lt

5.2.3 Atsargus akumuliatorinių prietaisų naudojimas ir elgesys su jais

- Saugokite akumuliatorius nuo aukštos temperatūros ir ugnies. Yra sproginimo pavojus.
- Akumuliatorių negalima ardyti, spausti, kaitinti iki didesnės nei 80 °C temperatūros arba deginti. Priešingu atveju kyla gaisro, sproginimo ir nusideginimo cheminėmis medžiagomis pavojus.
- Nenaudokite jokių kitų akumuliatorių, išskyrus aprobuotus konkrečiam prietaisui. Naudojant kitus akumuliatorius arba šiuos akumuliatorius naudojant kitiems tikslams, gali kilti gaisras arba sproginimas.
- Atkreipkite dėmesį į specialiuosius ličio jonų akumuliatorių transportavimo, laikymo ir naudojimo nurodymus.
- Pažeistų akumuliatorių (pavyzdžiui, įtrūkusių, su sulūžusiais, sulinkusiais, suspaustais ir/ arba ištrauktais kontaktais) neįkraukite ir nenaudokite.
- Jeigu akumuliatorius yra per karštas paimti į rankas, jis gali būti sugedęs. Padėkite prietaisą nedegioje ir nuo degių medžiagų pakankamai nutolusioje vietoje, kurioje galėtumėte jį stebėti, ir leiskite atvėsti. Kai akumuliatorius atvės, kreipkitės į „Hilti“ techninį centrą.

5.2.4 Elektrosauga



Prieš pradėdami dirbti, patikrinkite (pvz., naudodami metalo detektorius), ar darbo zonoje nėra uždengtų elektros laidų, dujų ir vandens vamzdžių. Netyčia pragrėžus elektros kabelį, išorinėmis metalinėmis prietaiso dalimis gali pradėti tekėti elektros srovė. Dėl to kyla rimtas elektros smūgio pavojus.

5.2.5 Darbo vieta

- Užtikrinkite, kad darbo vieta būtų gerai apšviesta.
- Pasirūpinkite, kad darbo vieta būtų gerai vėdinama. Dėl prastai vėdinamoje darbo vietoje susidarančių dulkių gali pablogėti žmogaus sveikata.

5.2.6 Asmeninės apsaugos priemonės



Naudotojas ir šalia esantys asmenys darbo su prietaisu metu turi užsidėti tinkamus apsauginius akinius, apsauginį šalną, ausines, mūvėti apsaugines pirštines ir užsidėti lengvą respiratorių.

6 Prieš pradėdami naudotis



6.1 Atsargus akumuliatorių naudojimas

NURODYMAS

Esant žemai temperatūrai, akumuliatoriaus galia mažėja. Nedirbkite su akumuliatoriumi tol, kol prietaisas visiškai sustos. Laiku pakeiskite jį antruoju akumuliatoriumi. Tuoj pat įkraukite bateriją, kad turėtumėte pakeisti kitą kartą.

Akumuliatorių laikykite vėsioje ir sausoje vietoje. Niekada nelaikykite akumuliatoriaus saulėje, ant šildymo įrenginių arba už stiklo. Pasibaigus akumuliatorių naudojimo laikui, juos reikia saugiai utiliuoti pagal aplinkosaugos reikalavimus.

6.2 Akumuliatoriaus įkrovimas



ATSARGIAI

Naudokite tik tinkamus „Hilti“ firmos kroviklius, kurie nurodyti skyrelyje „Įrankiai, priedai“.

6.2.1 Pirmasis naujo akumuliatoriaus įkrovimas

Prieš pirmą prietaiso naudojimą visiškai įkraukite akumuliatorius.

6.2.2 Naudoto akumuliatoriaus įkrovimas

Prieš įstatydami akumuliatorių į tinkamą kroviklį įsitikinkite, kad akumuliatoriaus išoriniai paviršiai yra sausi ir švarūs.

Akumuliatorių įkraukite vadovaudamiesi kroviklio naudojimo instrukcija.

Ličio jonų akumuliatorius galima naudoti ir tada, kai jie yra ne visiškai įkrauti. Krovimo eigą rodo šviesos diodai (žr. kroviklio naudojimo instrukciją).

6.3 Akumuliatoriaus įdėjimas

ATSARGIAI

Prieš pradėdami naudoti akumuliatorių įsitikinkite, kad prietaisas yra išjungtas ir yra ijungtas nuo netikėto įsijungimo apsaugantis blokatorius (dešininis/kairinis perjungiklis turi būti vidurinėje padėtyje). Naudokite tik Jūsų prietaisui aprobuotus „Hilti“ akumuliatorius.

ATSARGIAI

Prieš dėdami akumuliatorių į prietaisą patikrinkite, ar ant prietaiso kontaktų ir akumuliatoriaus kontaktų nėra pašalinių daiktų.

1. Akumuliatorių iš galinės pusės stumkite į prietaisą tol, kol atsiremiant pasigirs dvigubas spragtelėjimas.
2. **ATSARGIAI Netinkamai įdėtas akumuliatorius darbo metu gali nukristi.**

ATSARGIAI Krintantis akumuliatorius gali sužaloti Jus ir kitus žmones.

Prieš pradėdami dirbti, tikrinkite, ar akumuliatorius patikimai užfiksuotas prietaise.

6.4 Akumuliatoriaus išėmimas 2

1. Paspauskite abu atblokovimo mygtukus.
2. Traukdami atgal, akumuliatorių išimkite iš prietaiso.

6.5 Akumuliatorių transportavimas ir laikymas

Akumuliatorių ištraukite iš blokuotos padėties (darbinė padėtis) į pirmąją fiksuotą padėtį (transportinė padėtis).

Jeigu prieš transportuodami ar padėdami laikyti akumuliatorių išimkite iš prietaiso, užtikrinkite, kad akumuliatoriaus kontaktai nebūtų trumpai sujungti. Iš lagamino, įrankių dėžės ar transportavimo konteinerio pašalinkite pabiras metalines dalis, kaip, pvz., varžtus, vinis, sąvaržas, sukimo antgalius, vielas ar metalo drožles, arba kitaip užtikrinkite, kad šios dalys jokiais atvejais nepaliestų akumuliatoriaus kontaktų.

Akumulatorius siųsdami (automobilių kelių, geležinkelių, jūrų ar oro transportu), laikykitės galiojančių nacionalinių ir tarptautinių transportavimo taisyklių.

7 Darbas



7.1 Įrankio keitimas

NURODYMAS

Siekiant apsaugoti įrankį, prietaise yra įrengtas 1/2" išorinis keturbriaunis įrankio griebtuvas su rutuliniu fiksatoriumi arba 3/4" išorinis keturbriaunis įrankio griebtuvas su kaištiniu fiksatoriumi.

lt 7.1.1 Įrankio keitimas naudojant 1/2" išorinį keturbriaunį įrankio griebtuvą su rutuliniu fiksatoriumi

NURODYMAS

Šoninę galinio rakto galvutės angą sutapdinkite su įrankio griebtuvo fiksatoriaus rutuliuku, priešingu atveju įrankis nebus apsaugotas nuo savaiminio atsilaisvinimo.

7.1.1.1 Galinio rakto galvutės (įrankio) montavimas 3

1. Dešininį/kairinį perjungiklį nustatykite į vidurinę padėtį arba nuimkite nuo prietaiso akumuliatorių.
2. Šoninę galinio rakto galvutės angą sutapdinkite su įrankio griebtuvo fiksatoriaus rutuliuku.
3. Stumkite galinio rakto galvutę ant įrankio griebtuvo tol, kol užsifiksuos.

7.1.1.2 Galinio rakto galvutės (įrankio) išmontavimas 4

1. Dešininį / kairinį perjungiklį nustatykite į vidurinę padėtį arba nuimkite nuo prietaiso akumuliatorių.
2. Galinio rakto galvutę nutraukite nuo įrankio griebtuvo.

7.1.2 Įrankio keitimas naudojant 3/4" išorinį keturbriaunį įrankio griebtuvą su kaištiniu fiksatoriumi

7.1.2.1 Galinio rakto galvutės (įrankio) montavimas 5

1. Dešininį / kairinį perjungiklį nustatykite į vidurinę padėtį arba nuimkite nuo prietaiso akumuliatorių.
2. Iš galinio rakto galvutės griovelio išimkite apvalaus skerspjuvio tarpiklį.
3. Ištraukite apsauginį kaištį.
4. Galinio rakto galvutę užmaukite ant prietaiso keturbriaunio veleno.

NURODYMAS Atkreipkite dėmesį, kad keturbriaunio veleno apsauginio kaiščio ir galinio rakto galvutės skylės sutaptų.

5. Į galinio rakto galvutę pirma įdėkite apsauginį kaištį, paskui apsauginį apvalaus skerspjuvio tarpiklį.

7.1.2.2 Galinio rakto galvutės (įrankio) išmontavimas 6

1. Dešininį / kairinį perjungiklį nustatykite į vidurinę padėtį arba nuimkite nuo prietaiso akumuliatorių.
2. Iš galinio rakto galvutės griovelio išimkite apvalaus skerspjuvio tarpiklį.
3. Ištraukite apsauginį kaištį.
4. Galinio rakto galvutę numaukite nuo prietaiso keturbriaunio veleno.
5. Į galinio rakto galvutę pirma įdėkite apsauginį kaištį, paskui apsauginį apvalaus skerspjuvio tarpiklį.

7.2 Dešininės / kairinės eigos nustatymas 7

NURODYMAS

Dešininį / kairiniu perjungikliu galite pasirinkti įrankių veleno sukimosi kryptį. Kol variklis veikia, blokavimo įtaisas neleidžia perjungti jungiklio. Vidurinėje padėtyje valdymo jungiklis yra užblokuotas. Dešininį / kairinį perjungiklį spaudžiant į dešinę (prietaiso veikimo kryptimi) – dešininė eiga. Dešininį / kairinį perjungiklį spaudžiant į kairę (prietaiso veikimo kryptimi) – kairinė eiga.

7.3 Įjungimas/išjungimas

Lėtai spausdami valdymo jungiklį, galite sklandžiai reguliuoti sukimosi greitį nuo mažiausios iki didžiausios reikšmės.

7.4 Sraigčių/varžtų sukimas

ĮSPĖJIMAS

Įsitinkite, kad varžtai ir ruošinys gali atlaikyti prietaiso dinamometrinį momentą. Dėl per didelio dinamometrinio momento gali būti per daug apkraunami, tempiami arba pažeidžiami varžtai arba ruošinys, taip pat kyla pavojingų situacijų ir susižeidimo pavojus.

Dešiniiniu/kairiniu perjungikliu pasirinkite pageidaujamą sukimosi kryptį.

7.5 Ličio jonų akumulatoriaus įkrovos lygio nustatymas 8

NURODYMAS

Darbo metu įkrovos lygio nustatyti negalima. Šviesos diodo 1 mirksėjimu indikuojamas tik visiškasis akumulatoriaus išsikrovimas arba per aukšta akumulatoriaus temperatūra (> 80 °C). Šiuo atveju akumuliatorių reikia įstatyti į kroviklį. Kai mirksi visi 4 šviesos diodai, prietaisas yra perkrautas arba perkaitęs.

Ličio jonų akumuliatorius turi įkrovos lygio indikatorių. Įkrovimo metu akumulatoriaus įkrovos lygį rodo akumulatoriaus indikatorius (žr. skyrių „Ličio jonų akumulatoriaus įkrovos lygis“). Rimties būklėje, paspaudus vieną iš akumulatoriaus fiksavimo mygtukų, įkrovos lygį tris sekundes rodo keturi šviesos diodai.

7.6 Diržo kablys 9

ATSARGIAI

Prieš pradėdami dirbti kontroliuokite, kad diržo kablys būtų patikimai pritvirtintas.

Naudodami diržo kablį, galite prietaisą pakabinti ant savo diržo. Kairiarankiai gali diržo kablį sumontuoti kitoje prietaiso pusėje.

1. Iš prietaiso ištraukite akumuliatorių.
2. Tvirtinimo plokštelę įstatykite į jai skirtą kreipiančiąją.
3. Diržo kablį pritvirtinkite dviem varžtais.

8 Techninė priežiūra ir remontas

ATSARGIAI

Prieš valydami ištraukite akumuliatorių tam, kad išvengtumėte netyčinio prietaiso įsijungimo!

8.1 Įrankių priežiūra

Nuvalykite bet kokius nešvarumus, prilipusius prie įstatomų įrankių paviršiaus. Norėdami apsaugoti juos nuo korozijos, kartais patrinkite juos alyvoje suvilgyta medžiagos skiaute.

8.2 Prietaiso priežiūra

ATSARGIAI

Prietaisas, ypač jo rankenų paviršiai, visada turi būti sausi, švarūs, nesutepti alyva ar tirštu tepalu. Nenaudokite priežiūros priemonių, kurių sudėtyje yra silikono.

Išorinis korpusas pagamintas iš smūgiams atsparaus plastiko. Rankenos pagamintos iš elastomero.

Nenaudokite prietaiso, jei jo vėdinimo angos yra užsikimšusios! Vėdinimo angas atsargiai išvalykite sausu šepetiu. Saugokite prietaisą, kad į jį nepatektų svetimkūnių. Prietaiso išorę reguliariai valykite sudrėkinta šluoste. Valymui nenaudokite purkštuvo, aukšto slėgio garų įrangos arba tekančio vandens! Priešingu atveju prietaisas gali tapti nesaugus naudoti elektrošaugos požiūriu.

8.3 Ličio jonų akumuliatorių priežiūra

Saugokite, kad į akumuliatorių nepatektų drėgmės.

Prieš pirmą prietaiso naudojimą akumuliatorių įkraukite visiškai.

Siekdami pailginti akumulatoriaus naudojimo laiką, įkraukite jį iš karto pastebėję, kad prietaiso galia žymiai sumažėjo.

NURODYMAS

Jeigu prietaisas bus eksploatuojamas toliau, akumulatoriaus išsikrovimas automatiškai baigsis mirksint akumulatoriaus 1 šviesos diodui, tačiau taip rizikuojama sugadinti akumulatoriaus sekcijas.

Akumulatorius įkraukite „Hilti“ krovikliais, skirtais ličio jonų akumulatoriams.

NURODYMAS

- Šiems akumulatoriams nereikia atlikti atnaujinamojo įkrovimo, kaip NiCd arba NiMH akumulatoriams.
- Įkrovimo proceso pertraukimas neturi įtakos akumulatoriaus ilgaamžiškumui.
- Įkrovimą galima bet kada nutraukti ir tai neturi įtakos akumulatoriaus ilgaamžiškumui. Šiuose akumulatoriuose nėra įsiminimo efekto, kaip NiCd arba NiMH akumulatoriuose.
- Akumulatorius geriausia laikyti visiškai įkrautus vėsioje ir sausoje vietoje. Nelaikykite akumuliatorių ten, kur temperatūra yra aukšta (pvz., už lango stiklo), nes tai turi neigiamos įtakos jų ilgaamžiškumui ir skatina savaiminį elementų išsikrovimą.
- Jei akumulatorius nebeįsikrauna visiškai, jo talpa dėl senėjimo arba per didelės apkrovos yra sumažėjusi. Tokį akumuliatorių dar galima naudoti, tačiau pasitaikius progai jį reikia pakeisti nauju.

8.4 Priežiūra

ĮSPĖJIMAS

Elektrines prietaiso dalis leidžiama remontuoti tik kvalifikuotiems elektrikams.

Reguliariai tikrinkite, ar visos išorinės prietaiso dalys nepažeistos ir ar visi valdymo elementai veikia tinkamai. Nenaudokite prietaiso, jei jo dalys pažeistos arba valdymo elementai funkcionuoja netinkamai. Atiduokite prietaisą remontuoti į „Hilti“ techninį centrą.

8.5 Patikra atlikus priežiūros ir remonto darbus

Atlikus priežiūros ir remonto darbus, būtina patikrinti, ar sumontuoti ir ar veikia visi apsauginiai įtaisai.

9 Gedimų aptikimas

Gedimas	Galima priežastis	Gedimo šalinimas
Prietaisas neveikia.	Akumulatorius netinkamai įstatytas arba yra išsekęs.	Fiksuojant akumuliatorių turi pasigirsti dvigubas spragtelėjimas arba akumuliatorių reikia įkrauti.
	Elektros tiekimo gedimas.	Išimkite akumuliatorių iš prietaiso ir kreipkitės į „Hilti“ techninės priežiūros centrą.
Prietaisas neveikia, mirksi 1 šviesos diodas.	Akumulatorius išsekęs.	Pakeiskite akumuliatorių, o išsekusį akumuliatorių įkraukite.
	Akumulatorius per karštas arba per šaltas.	Sureguliuokite rekomenduojamą akumulatoriaus temperatūrą.
Prietaisas neveikia ir visi 4 šviesos diodai mirksi.	Prietaisas trumpam perkrautas.	Atleisti ir vėl paspausti valdymo jungiklį.
	Apsauga nuo perkaitimo.	Palaukite, kol prietaisas atvės. Išvalykite vėdinimo angas.
Įjungimo/išjungimo mygtuko negalima paspausti arba jis yra užblokuotas.	Dešinysis/kairinis perjungiklis yra nustatytas į vidurinę (transportavimo) padėtį	Dešinės/kairinės eigos perjungiklį paspausti į kairę arba į dešinę.
Staiga sumažėja apsisukimų skaičius.	Akumulatorius išsekęs.	Pakeiskite akumuliatorių, o išsekusį akumuliatorių įkraukite.
Akumulatorius išsikrauna greičiau nei paprastai.	Akumulatoriaus būklė nėra optimali.	Diagnozuoti „Hilti“ techniniame centre arba pakeisti akumuliatorių.

Gedimas	Galima priežastis	Gedimo šalinimas
Akumuliatorius neužsifiksuoja ir nepasigirsta dvigubas spragtelėjimas.	Ant akumuliatoriaus fiksatorių yra nešvarumų.	Nuvalykite fiksatorius ir įstatykite akumuliatorių. Jei problemos išspręsti nepavyksta, kreipkitės į „Hilti“ techninės priežiūros centrą.
Prietaisas arba akumuliatorius per greitai įkaista.	Elektrinis gedimas. Prietaisas yra perkrautas (viršyta nurodyta apkrova).	Prietaisą nedelsiant išjungti, nuimti akumuliatorių ir kreiptis į „Hilti“ techninį centrą. Pasirinkite prietaisą pagal naudojimo sritį.

10 Utilizacija

lt

ATSARGIAI

Jei įranga utilizuojama netinkamai, gali kilti šie pavojai: degant plastikams susidaro nuodingos, žmogaus sveikatai kenkiančios dujos; pažeisti ar labai įkaitę maitinimo elementai gali sprogti ir apnuodyti, sudirginti, nudeginti odą arba užteršti aplinką; lengvabūdiškai ir neapgalvotai utilizuodami sudarote sąlygas neįgalotiems asmenims naudoti įrangą ne pagal taisykles. Dėl išvardytų priežasčių galite smarkiai susižaloti ir Jūs patys, ir kiti asmenys arba gali būti padaryta žalos aplinkai.

ATSARGIAI

Sugedusį akumuliatorių utilizuokite nedelsdami. Saugokite jį nuo vaikų. Akumuliatoriaus neardykite ir nedeginkite.

ATSARGIAI

Akumuliatorius utilizuokite vadovaudamiesi šalyje galiojančiais teisės aktais arba gražinkite seną akumuliatorių „Hilti“ techninės priežiūros skyriui.



Didelė „Hilti“ prietaisų dalis pagaminta iš medžiagų, kurias galima perdirbti antrą kartą. Būtina antrinio perdirbimo sąlyga yra tinkamas medžiagų išrūšiuojimas. Daugelyje šalių „Hilti“ jau turi atstovybes, kuriose priimami seni prietaisai. Pasiteiraukite dėl to „Hilti“ klientų aptarnavimo centre arba pardavimo atstovybėje.



Tik ES valstybėms

Neišmeskite elektrinių įrankių į buitinius šiukšlynus!

Laikantis Europos direktyvos dėl naudotų elektros ir elektronikos prietaisų ir sprendimo dėl jos įtraukimo į nacionalinius teisės aktus, naudotus elektrinius įrankius ir akumuliatorius būtina surinkti atskirai ir pateikti antriniam perdirbimui pagal aplinkosaugos reikalavimus.

11 Prietaiso gamintojo teikiama garantija

„Hilti“ garantuoja, kad pristatytas prietaisas neturi medžiagos arba gamybos defektų. Ši garantija galioja tik su sąlyga, kad prietaisas tinkamai naudojamas, valdomas, prižiūrimas ir valomas vadovaujantis „Hilti“ naudojimo instrukcijos nurodymais ir yra užtikrinamas jo techninis vieningumas, t. y. su prietaisu naudojamos tik originalios „Hilti“ eksploatacinės medžiagos, priedai ir atsarginės dalys.

Ši garantija apima nemokamą remontą arba nemokamą sugedusių dalių keitimą visą prietaiso tarnavimo laikotarpį. Natūraliai susidėvinčioms dalims garantija netaikoma.

Kitos pretenzijos nepriimamos, jei jų priimti nereikalaujama pagal šalies įstatymus. „Hilti“ neatsako už tiesioginę arba netiesioginę materialinę ir dėl jos atsiradusią žalą, nuostolius arba išlaidas, atsiradusias dėl prietaiso naudojimo arba dėl negalėjimo jo naudoti kokiu nors kitu tikslu. Nėra jokių kitų prietaiso naudojimo ar jo tinkamumo kokiais nors tikslais atvejų, kurie nebūtų aprašyti čia.

Jei prietaisą reikia remontuoti arba pakeisti, nustatę gedimą nedelsdami nusiųskite prietaisą atsakingai „Hilti“ prekybos atstovybei.

Ši garantija apima visus „Hilti“ garantinius įsipareigojimus ir pakeičia iki šiol galiojusius ir galiojančius pareiškimus, raštiškus arba žodinius susitarimus dėl garantijos.

12 EB atitikties deklaracija (originali)

Pavadinimas:	Akumuliatorinis smūginis veržliasukis
Tipas:	SIW 22T-A
Karta:	01
Pagaminimo metai:	2013

Prisiimdami visą atsakomybę pareiškiame, kad šis gaminys atitinka šių direktyvų ir normų reikalavimus: EN 60745-1, EN 60745-2-2, 2006/42/EB, 2004/108/EB, 2006/66/EG, 2011/65/EU, EN ISO 12100.

Hilti Corporation, Feldkircherstrasse 100, FL-9494 Schaan

It

Paolo Luccini

Head of BA Quality and Process Management

Business Area Electric Tools & Accessories
06/2013

Jan Doongaji

Executive Vice President

Business Unit Power Tools & Accessories
06/2013

Techninė dokumentacija prie:

Hilti Entwicklungsgesellschaft mbH

Zulassung Elektrowerkzeuge

Hiltistrasse 6

86916 Kaufering

Deutschland

ALGUPÄRANE KASUTUSJUHEND

Akulöökmutrikeeraja

SIW 22T-A

Enne seadme esmakordset kasutamist lugege tingimata läbi käesolev kasutusjuhend.

Kasutusjuhend peab olema alati seadme juures.

Juhend peab jääma seadme juurde ka siis, kui annate seadme edasi teistele isikutele.

Sisukord

1	Üldised juhised	153
2	Kirjeldus	154
3	Lisatarvikud	155
4	Tehnilised andmed	155
5	Ohutusnõuded	157
6	Kasutuselevõtt	160
7	Töötamine	161
8	Hooldus ja korrashoid	162
9	Veaotsing	163
10	Utiliseerimine	164
11	Tootja garantii seadmetele	164
12	EÜ-vastavusdeklaratsioon (originaal)	165

et

I Numbrid viitavad vastavatele joonistele. Joonised leiate kasutusjuhendi lahtivolditavalt ümbriselt. Kasutusjuhendi lugemise ajal hoidke ümbris avatuna.

Käesoleva kasutusjuhendi tekstis tähistab sõna »seade« alati akuga varustatud akulöökmutrikeerajat SIW 22T-A.

Seadme juhtelemendid ja osad **I**

- ① Padrun
- ② Juhtlüliti (pöörete arvu elektroonilise juhtimisega)
- ③ Reverslüliti koos sisselülitustõkisega
- ④ Vabastusklahvid koos lisafunktsiooniga laetuse astme näidu aktiveerimiseks
- ⑤ Andmesilt
- ⑥ Laetuse astme ja veanäit (Li-ioon aku)
- ⑦ Vööklamber (lisana)

1 Üldised juhised

1.1 Märksõnad ja nende tähendus

OHT

Viidatakse vahetult ähvardavatele ohtudele, millega kaasnevad rasked kehalised vigastused või inimeste hukkumine.

HOIATUS

Viidatakse võimalikele ohtlikele olukordadele, millega võivad kaasneda rasked kehalised vigastused või inimeste hukkumine.

ETTEVAATUST

Viidatakse võimalikele ohtlikele olukordadele, millega võivad kaasneda kergemad kehalised vigastused või varaline kahju.

JUHIS

Soovitusi seadme kasutamiseks ja muu kasulik teave.

1.2 Piltsümbolite selgitus ja täiendavad juhised

Hoiatavad märgid



Üldine hoiatus



Ettevaatust:
elekter



Ettevaatust:
söövitavad ained

Kohustavad märgid



Kandke
kaitseprille



Kandke
kaitsekiivrit



Kandke kuulmis-
kaitsevahendeid



Kandke
kaitsekindaid



Kandke kergelt
hingamisteede
kaitsemaski

Sümbolid



Enne kasutamist
lugege
kasutusjuhendit.



Jäätmed suunata
ümbertöötlusse



volt



Alalisvool

n_0

Tühikäigupöör-
ded

/min

pööret minutis

Identifitseerimisandmete koht seadmel

Seadme tüübitähis on toodud seadme andmesildil ja seerianumber mootorikorpusel. Märkige need andmed käesolevasse kasutusjuhendisse ning tehke teatavaks alati, kui pöörduate Hilti müügiesindusse või hooldekeskusse.

Tüüp:

Generatsioon: 01

Seerianumber:

2 Kirjeldus

2.1 Nõuetekohane kasutamine

SIW 22T-A on käsitsijuhitav akutoitega löökmutrikeeraja. Seade on ette nähtud mutrite ja poltide, tüüblite ja puidukruvide kinni- ja lahtikeeramiseks.

Seadmega ei tohi töödelda tervisele ohtlikke materjale (nt asbesti). Pidage kinni ka kohalikest töökaitsenõuetest.

Akude kasutamine teiste seadmete toiteallikana on keelatud.

Seadme modifitseerimine ja ümberkujundamine on keelatud.

Vigastuste vältimiseks kasutage ainult Hilti originaalvarvikuid.

Seadet ei tohi kasutada töödeks, mis nõuavad täpset/kindlaksmääratud pöördemomenti. Seadme kasutamisel töödeks, mis nõuavad kindlaksmääratud pöördemomenti või mille puhul ei tohi maksimaalset pöördemomenti ületada, esineb ülekeeramise, kruvi või tooriku kahjustamise oht. Sellisteks töödeks tuleks kasutada täpselt seadistatava pöördemomendiga seadet.

Pidage kinni kasutusjuhendis toodud kasutus- ja hooldusjuhistest.

Seade on ette nähtud professionaalseks kasutuseks ja seda tohivad kasutada, hooldada ja parandada üksnes vastava volituse ja väljaõppega isikud. Kasutajatel peab olema ohutusala eriettevalmistus. Seade ja sellega ühendatavad abitööriistad võivad osutada ohtlikuks, kui neid ei kasutata nõuetekohaselt või kui nendega töötab spetsiaalse ettevalmistuseta isik.

Töökeskonnaks võib olla ehitusplats või töökoda ning tööd võivad hõlmata renoveerimis-, ümberehitus- või uusehitustöid.

2.2 Padrun

1/2" välisnelikant-padrun poolkeraga

3/4" välisnelikant-padrun lukustussõrmega

2.3 Lülitid

pöörete arvu elektroonilise juhtimisega juhtlülitid
reverslülitid koos sisselülitustökisega

2.4 Kohvrise pakitud komplekti kuuluvad:

- 1 Seade
- 1 Kasutusjuhend
- 1 Hilti kohver

2.5 Kartongkarpi pakitud komplekti kuuluvad:

- 1 Seade
- 1 Kasutusjuhend

2.6 Seadme kasutamiseks on lisaks vajalik

Aku B 22/2.6 Li-Ion või B 22/3.3 Li-Ion koos akulaadijaga C436-90
või C436-350 või C 4/36 või C 4/36-ACS või C 4/36-ACS TPS.

et

2.7 Li-ioon-aku laetuse astme ja ülekuumenemise näit

Pidev LED-tuli	Vilkuv LED-tuli	Laetuse aste C
LED-tuled 1, 2, 3, 4	-	$C \geq 75 \%$
LED-tuled 1, 2, 3	-	$50 \% \leq C < 75 \%$
LED-tuled 1, 2	-	$25 \% \leq C < 50 \%$
LED-tuli 1	-	$10 \% \leq C < 25 \%$
-	LED-tuli 1	$C < 10 \%$
-	LED-tuli 1	Aku on üle kuumenenud

2.8 Seadme ülekoormuse ja ülekuumenemise näit

Seade on varustatud elektroonilise ülekoormus- ja ülekuumenemiskaitsmega. Ülekoormuse ja ülekuumenemise korral lülitub seade automaatselt välja. Kui juhtlülitid vabastada ja uuesti sisse vajutada, võib sisselülitumine toimuda nihkega (seadme jahtumisfaasid).

LED-pidev tuli	LED-vilkuv tuli	Seadme olek
-	LED-tuled 1, 2, 3, 4	Seade on üle koormatud või üle kuumenenud

3 Lisatarvikud

Tähistus	Tähis
Otsvõti	S-NSD ja SV
Akulaadija Li-ioon-akudele	C 4/36
Akulaadija Li-ioon-akudele	C 4/36-ACS
Akulaadija Li-ioon-akudele	C 4/36-ACS TPS
Akulaadija Li-ioon-akudele	C 4/36-90
Akulaadija Li-ioon-akudele	C 4/36-350
Aku	B 22/3.3 Li-Ion
Aku	B 22/2.6 Li-Ion
Aku	B 22/1.6 Li-Ion
Vööklamber	

4 Tehnilised andmed

Tootja jätab endale õiguse tehniliste andmete muutmiseks!

Seade	SIW 22T-A 1/2"	SIW 22T-A 3/4"
Nimipinge (alalispinge)	21,6 V	21,6 V
Kaal vastavalt menetlusele EPTA-Procedure 01/2003	3 kg	3,2 kg

Seade	SIW 22T-A 1/2"	SIW 22T-A 3/4"
Mõõtmed (p x l x k)	232 mm x 94 mm x 258 mm	251 mm x 94 mm x 258 mm
Tühikäigupöörded	0...2000/min	0...2000/min
Löökide arv	max 2500 1/min	max 2500 1/min
Pöördemoment	450 Nm	450 Nm
Standardkruvi	M12 - M24	M12 - M24
Tugev kruvi	M8 - M16	M8 - M16
Padrun	1/2" välisnelikant poolkeraga	3/4" välisnelikant lukustusvardaga
Pöörete reguleerimine	elektrooniliselt juhtlüliti kaudu	elektrooniliselt juhtlüliti kaudu
Parem/vasak käik	elektrooniline ümberlüüti, varustatud tõkisega, mis takistab ümberlülitamist töötamise ajal	elektrooniline ümberlüüti, varustatud tõkisega, mis takistab ümberlülitamist töötamise ajal
Kaitse täieliku tühjenemise vastu	jah	jah

JUHIS

Andmed müra kohta (möödetud vastavalt standardile EN 60745-1)

Seade	SIW 22T-A 1/2"	SIW 22T-A 3/4"
A-filtriga korrigeeritud helivõimsuse tase	108 dB (A)	111 dB (A)
A-filtriga korrigeeritud helirõhu tase	97 dB (A)	100 dB (A)
Möötemääramatus nimetatud müratasemete puhul	3 dB (A)	3 dB (A)

JUHIS

Käesolevas kasutusjuhendis toodud vibratsioonitase on möödetud standardile EN 60745 vastaval mõõtemetodil ja seda saab kasutada seadmete omavaheliseks võrdlemiseks. See sobib ka vibratsiooni esialgseks hindamiseks. Toodud vibratsioonitase esineb seadme nõuetekohasel kasutamisel. Kui aga seadet kasutatakse muul otstarbel, teiste tarvikutega või kui seade on ebapiisavalt hooldatud, võib vibratsioonitase toodust kõrvale kalduda. See võib vibratsiooni töö koguperioodi lõikes tunduvalt suurendada. Vibratsiooni täpseks hindamiseks tuleb arvesse võtta ka aega, mil seade oli välja lülitatud või küll sisse lülitatud, kuid tegelikult tööle rakendamata. See võib vibratsiooni töö koguperioodi lõikes tunduvalt vähendada. Seadme kasutaja kaitseks vibratsiooni toime eest rakendage täiendavaid kaitseabinõusid, näiteks hooldage seadmeid ja tarvikuid korralikult, hoidke käed soojad, tagage sujuv töökorraldus.

Lisateave vastavalt standardile EN 60745

Vibratsioonitase kolmel teljel (vibratsiooni-vektorisumma)	möödetud vastavalt standardile EN 60745-2-2
Maksimaalse suurusega kinnituselementide löökkruvikeeramine 1/2" tarvikule, a _h	14,5 m/s ²
Maksimaalse suurusega kinnituselementide löökkruvikeeramine 3/4" tarvikule, a _h	14,2 m/s ²
Möötemääramatus (K)	1,5 m/s ²

Aku	B 22/3.3 Li-Ion	B 22/2.6 Li-Ion	B 22/1.6 Li-Ion
Nimipinge	21,6 V	21,6 V	21,6 V
Aku mahtuvus	3,3 Ah	2,6 Ah	1,6 Ah
Kaal	0,78 kg	0,78 kg	0,48 kg
Temperatuurikontroll laadimisel	jah	jah	jah
Temperatuurikontroll tühjenemisel	jah	jah	jah

Aku	B 22/3.3 Li-Ion	B 22/2.6 Li-Ion	B 22/1.6 Li-Ion
Akuelementide tüüp	Li-ioon	Li-ioon	Li-ioon
Elementide plokk	12 tükki	12 tükki	6 tk
Energiamah	71,28 Wh	56,16 Wh	34,56 Wh

5 Ohutusnõuded

JUHIS

Järgmises peatükis esitatud ohutusnõuded sisaldavad kõiki elektriliste tööriistade suhtes kohaldatavaid üldisi ohutusnõudeid, mille loetlemine kasutusjuhendis on rakendatavate standardite kohaselt kohustuslik. Nende hulgas võib siiski olla ka nõudeid, mis ei ole käeoleva seadme puhul asjakohased.

5.1 Üldised ohutusnõuded elektriliste tööriistade kasutamisel

a) HOIATUS

Lugege läbi kõik ohutusnõuded ja juhised. Alltoodud ohutusnõuete eiramise tagajärjeks võib olla elektrilöökk, tulekahju ja/või rasked vigastused. **Hoidke kõik ohutusnõuded ja juhised edaspidiseks kasutamiseks alles.** Järgnevalt kasutatud mõiste "elektriline tööriist" käib võrgutoitega (toitejuhtmega) elektriliste tööriistade ja akutoitega (ilma toitejuhtmata) elektriliste tööriistade kohta.

5.1.1 Ohutus töökohal

- Hoidke oma töökoht puhas ja valgustage seda korralikult.** Korrastamata ja valgustamata töökoht võib põhjustada õnnetusi.
- Ärge kasutage seadet plahvatusohtlikus keskkonnas, kus leidub tuleohtlikke vedelikke, gaase või tolmu.** Elektrilistest tööriistadest lööb sädemeid, mis võivad tolmu või aurud süüdata.
- Elektrilise tööriista kasutamise ajal hoidke lapsed ja teised isikud töökohast eemal.** Kui Teie tähelepanu juhitakse kõrvale, võib seade Teie kontrolli alt väljuda.

5.1.2 Elektriohutus

- Seadme pistik peab pistikupesast sobima. Pistiku kallal ei tohi teha mingeid muudatusi. Kaitsemaandusega seadmete puhul ei tohi kasutada adapterpistikuid.** Muutmata pistikud ja sobivad pistikupesad vähendavad elektrilöögi ohtu.
- Vältige kehalist kontakti maandatud pindadega, näiteks torude, radiaatorite, pliitide ja külmikutega.** Kui Teie keha on maandatud, on elektrilöögi oht suurem.
- Kaitske seadet vihma ja niiskuse eest.** Kui elektriseadmesse on sattunud vett, on elektrilöögi oht suurem.
- Ärge kasutage toitejuhet seadme kandmiseks, ülesriputamiseks ega pistiku pistikupesast väljatõmbamiseks. Kaitske toitejuhet kuumuse, õli, teravate servade ja seadme liikuvate osade eest.** Kahjustatud või keerduläinud toitejuhtmed suurendavad elektrilöögi ohtu.
- Kui töötate elektrilise tööriistaga vabas õhus, kasutage ainult pikendusjuhtmeid, mis on ette nähtud kasutamiseks ka välistingimustes.** Välistingimustes kasutamiseks ettenähtud pikendusjuhtme kasutamine vähendab elektrilöögi ohtu.
- Kui seadmega töötamine niiskes keskkonnas on vältimatu, kasutage rikkevoolukaitselüliti.** Rikkevoolukaitselüliti kasutamine vähendab elektrilöögi ohtu.

5.1.3 Inimeste turvalisus

- Olge tähelepanelik, jälgige, mida Te teete, ning toimige elektrilise tööriistaga töötades kaalutletult. Ärge kasutage seadet, kui olete väsinud või uimastite, alkoholi või ravimite mõju all.** Hetkeline tähelepanematus seadme kasutamisel võib põhjustada raskeid vigastusi.
- Kandke isikukaitsevahendeid ja alati kaitseprille.** Isikukaitsevahendite, näiteks tolmu maski, libisemiskindlate turvalatsite, kaitsekiivri või kuulmiskaitsevahendite kandmine –

sõltuvalt elektrilise tööriista tüübist ja kasutusala - vähendab vigastuste ohtu.

- c) **Vältige seadme tahtmatut käivitamist. Enne seadme ühendamist vooluvõrguga ja/või seadmesse aku paigaldamist, seadme ülestõstmist ja kandmist veenduge, et seade on välja lülitatud.** Kui hoiate seadme kandmisel sõrme lülilil või ühendate vooluvõrku sisselülitatud seadme, võib tagajärjeks olla õnnetus.
- d) **Enne seadme sisselülitamist eemaldage selle küljest reguleerimis- ja mutrivõtmed.** Seadme pöörleva osa küljes olev reguleerimis- või mutrivõti võib põhjustada vigastusi.
- e) **Vältige ebatavalist tööasendit. Võtke stabiilne tööasend ja säilitage kogu aeg tasakaal.** Nii saate seadet ootamatutes olukordades paremini kontrollida.
- f) **Kandke sobivat rõivastust. Ärge kandke laiu riideid ega ehteid. Hoidke juuksed, rõivad ja kindad seadme liikuvatest osadest eemal.** Lotendavad riided, ehted ja pikad juuksed võivad sattuda seadme liikuvate osade vahele.
- g) **Kui seadme külge on võimalik paigaldada tolmueemaldus- ja kogumisseadiseid, veenduge, et need on seadmega ühendatud ja et neid kasutatakse nõuetekohaselt.** Tolmueemaldusseadise kasutamine võib vähendada tolmust tingitud ohte.

et

5.1.4 Elektrilise tööriista kasutamine ja käsitsemine

- a) **Ärge koormake seadet üle. Kasutage antud töö tegemiseks sobivat elektrilist tööriista.** See töötab ettenähtud jõudluspiirides tõhusamalt ja ohutumalt.
- b) **Ärge kasutage elektrilist tööriista, mille lüliti on rikkis.** Elektriline tööriist, mida ei saa enam lülitist korralikult sisse ja välja lülitada, on ohtlik ning tuleb viia parandusse.
- c) **Enne mis tahes seadistustöid seadme kallal, tarvikute vahetust ja seadme hoiulepanekut tõmmake pistik pistikupeasast välja ja/või eemaldage seadmest aku.** See ettevaatusabinõu väldib seadme tahtmatut käivitamist.
- d) **Kasutusvälisel ajal hoidke elektrilisi tööriistu lastele kättesaamatus kohas. Ärge laske seadet kasutada isikutel, kes seda ei tunne või pole siintoodud juhiseid lugenud.** Asjatundmatute isikute käes on elektrilised tööriistad ohtlikud.
- e) **Hooldage seadet korralikult. Kontrollige, kas seadme liikuvad detailid töötavad veatult ega kiilu kiini. Veenduge, et seadme detailid ei ole murdunud või kahjustatud määral, mis mõjutab seadme töökindlust. Laske kahjustatud osad enne seadme kasutamist parandada.** Ebapiisavalt hooldatud elektrilised tööriistad on põhjustanud palju õnnetusi.
- f) **Hoidke lõiketarvikud teravad ja puhtad.** Hästi hooldatud, teravate lõikeservadega lõiketarvikud kiiluvad harvemini kinni ja neid on lihtsam juhtida.
- g) **Kasutage elektrilist tööriista, tarvikuid, lisaseadmeid vastavalt käesolevatele juhistele. Arvestage seejuures töötin- gimuste ja teostatava töö iseloomuga.** Elektriliste tööriistade kasutamine otstarbel, milleks need ei ole ette nähtud, võib põhjustada ohtlikke olukordi.

5.1.5 Akuga tööriista kasutamine ja käsitsemine

- a) **Laadige akusid ainult tootja poolt soovitatud akulaadija- tega.** Kui teatud tüüpi aku laadimiseks ettenähtud akulaadijat kasutatakse teiste akude laadimiseks, tekib tulekahju oht.
- b) **Kasutage elektrilistes tööriistades ainult ettenähtud akusid.** Teiste akude kasutamine võib põhjustada vigastusi ja põlengu ohtu.
- c) **Kasutusvälisel ajal hoidke akud eemal kirjaklambritest, müntidest, võtmetest, naeltest, kruvidest ja teistest väike- stest metallesemetest, mis võivad aku kontaktid omavahel ühendada.** Akukontaktide vahel tekkiv lühis võib põhjustada tulekahju või põletusi.
- d) **Väärkasutuse korral võib akuvedelik akust välja voolata. Vältige sellega kokkupuudet. Juhusliku kokkupuute korral loputage kahjustatud kohta veega. Kui vedelik satub silma, pöörduge lisaks arsti poole.** Väljavoolav akuvedelik võib põhjustada nahaärritusi või põletusi.

5.1.6 Hooldus

- a) **Laske seadet parandada ainult kvalifitseeritud spetsialisti- del, kes kasutavad originaalvaruosi.** Nii on tagatud elektrilise tööriista ohutuse säilimine.

5.2 Täiendavad ohutusnõuded

5.2.1 Inimeste turvalisus

- a) **Kui teete töid, mille puhul võib kruvi tabada varjatud elektrijuhet, hoidke seadet isoleeritud haardepinnast.** Kokkupuude pingestatud elektrijuhtmega võib seada pinge alla ka seadme metalldetailid ja põhjustada elektrilöögi.
- b) **Kasutage kuulmiskaitsevahendeid.** Müra võib kahjustada kuulmist.
- c) **Kui kasutate seadet ilma tolmuimejata, tuleb tolmutekitavate tööde korral kanda kerget tolmuaitsemaski.**
- d) **Töötamise ajal tehke pause ning lödvestage käsi ja sõrmi, et parandada sõrmede verevarustust.**
- e) **Vältige kokkupuudet pöörlevate osadega. Lülitage seade sisse alles tööpiirkonnas.** Kokkupuude seadme pöörlevate osadega, eriti pöörlevate tarvikutega, võib põhjustada vigastusi.
- f) **Enne seadme hoiulepanekut või transportimist aktiveerige sisselülitustõkis (seadke reverslüli keskasendisse).**
- g) **Lastele tuleb selgitada, et seadmega mängimine on keelatud.**
- h) **Lapsed ja isikud, kellel puuduvad vajalikud võimed ja oskused, ei tohi seadet ilma eelneva juhendamiset kasutada.**
- i) Pliisisaldusega värvide, teatud liiki puidu, mineraalide ja metalli tolmu võib kahjustada tervist. Tolmuga kokkupuude või tolmu sissehingamine võib seadme kasutajal või läheduses viibivatel isikutel põhjustada allergilist reaktsiooni ja/või hingamisteede haigusi. Teatud tüüpi tolmu, näiteks tamme- või pöögitolmu, võib tekitada vähki, eriti koosmõjus puidutöötlemisel kasutatavate lisaainetega (kromaat, puidukaitsevahendid). Asbesti sisaldavat materjali tohivad töödelda üksnes asjaomase väljaõppega asjatundjad. **Võimaluse korral kasutage tolmuimejat. Tõhusa tolmuimealduse tagamiseks kasutage puidu ja mineraalsete materjalide tolmu imemiseks ette nähtud Hilti mobiilset tolmuimejat, mis on elektrilise tööriistaga kohandatud. Tagage tööpiirkonnas hea ventilatsioon. Soovitatav on kasutada filtriklassi P2 kuuluvat hingamisteedemaski. Järgige kasutusriigis materjalide töötlemise suhtes kehtivaid eeskirju.**

et

5.2.2 Elektriliste tööriistade hoolikas käsitsemine ja kasutamine

- a) **Kinnitage töödeldav detail korralikult. Kasutage töödeldava detaili kinnitamiseks kinnitusvahendeid või pitskruvi.** Nii püsib seade kindlamalt paigal kui käega hoides, samuti jäävad nii mõlemad käed seadmega töötamiseks vabaks.
- b) **Veenduge, et kasutatavad tarvikud seadme padrunisüsteemiga sobivad ja on tarvikukinnitusse nõuetekohaselt kinnitatud.**
- c) **Veenduge, et kruvid ja toorik seadme poolt tekitatava pöördemomendiga sobivad.** Liiga kõrge pöördemoment võib avaldada kruvidele või toorikule ülekoormust, neid venitada või kahjustada ja seetõttu ohtlikke olukordi või vigastusi põhjustada.

5.2.3 Akuga tööriistade hoolikas käsitsemine ja kasutamine

- a) **Kaitske akusid kõrgete temperatuuride ja tule eest.** Esineb plahvatusoht.
- b) **Akusid ei tohi lahti võtta, muljuda, kuumutada üle 80°C ega põletada.** Vastasel korral tekib põlengu-, plahvatus- ja söövitusoht.
- c) **Ärge kasutage akusid, mis ei ole antud seadme jaoks ette nähtud.** Teiste akude kasutamisel ja akude kasutamisel teisteks otstarveteks tekib põlengu- ja plahvatusoht.
- d) **Pidage kinni Li-ioon-akude transpordi, säilitamise ja kasutamise suhtes kehtivatest erijuhistest.**
- e) **Kahjustatud akusid (nt pragudega, murdunud osadega, kõverdunud, sisselükatud või väljatõmmatud kontaktidega akusid) ei tohi ei laadida ega edasi kasutada.**
- f) Kui aku on puudutamiseks liiga kuum, võib aku olla defektne. **Asetage seade tulekindlasse kohta ja süttivatest materjalidest piisavalt kaugemale, nii et seade oleks veel Teie vaateväljas, ja laske seadmel jahtuda. Kui aku on jahtunud, pöörduge Hilti hooldekeskusesse.**

5.2.4 Elektriohutus



Kontrollige tööpiirkond enne töö alustamist üle metalliotsijaga, et leida varjatud elektrijuhtmeid, gaasi- või veetorusid. Pingestatud elektrijuhtme vigastamisel võivad seadme välised metalliosad pinge alla sattuda. See tekitab tõsise elektrilöögi ohu.

5.2.5 Töökoht

- Tööpiirkond peab olema hästi valgustatud.**
- Tööpiirkonnas peab olema hea ventilatsioon.** Halva ventilatsiooniga tööpiirkonda võib koguneda tervistkahjustavat tolmu.

5.2.6 Isikukaitsevahendid

et



Kasutaja ja läheduses viibivad isikud peavad seadme kasutamisel ja tõrgete kõrvaldamisel kandma sobivaid kaitseprille, kaitsekiivrit, kuulmiskaitsevahendeid, kaitsekindaid ja kerge hingamisteede kaitsemaski.

6 Kasutuselevõtt



6.1 Aku hoolikas käsitlemine

JUHIS

Madalatel temperatuuridel aku jõudlus langeb. Ärge töötage akuga kuni seadme seiskumiseni. Vahetage aku õigeaegselt teisele vastu. Laadige aku kohe uuesti täis, et saaksite seda vajadusel taas kasutada.

Hoidke akut võimalikult jahedas ja kuivas kohas. Ärge hoidke akut kunagi päikese käes, radiaatori peal ega aknalaual. Kasutusressursi ammendanud akud tuleb keskkonnasäästlikult ja ohutult utiliseerida.

6.2 Aku laadimine



ETTEVAATUST

Kasutage üksnes Hilti akulaadijaid, mis on nimetatud punktis "Tarvikud, lisavarustus".

6.2.1 Aku esmane laadimine

Laadige akud enne seadme esmakordset tööerakendamist täielikult täis.

6.2.2 Kasutatud aku laadimine

Enne aku asetamist vastavasse akulaadijasse veenduge, et aku välispinnad on puhtad ja kuivad.

Laadimisjuhised on toodud vastava akulaadija kasutusjuhendis.

Li-ion-akud on töövalmis igal ajal, ka pooleldi laetuna. Laadimise kulgu näitavad LED-indikaatorid (vt akulaadija kasutusjuhendit).

6.3 Aku paigaldamine

ETTEVAATUST

Enne aku paigaldamist veenduge, et seade on välja lülitatud ja et sisselülitustõkis on aktiveeritud (reverslüli on keskasendis). Kasutage üksnes seadme jaoks ette nähtud Hilti akusid.

ETTEVAATUST

Enne aku paigaldamist seadmesse veenduge, et aku kontaktid ja seadmes olevad kontaktid on puhtad ja vabad võõrkehadest.

1. Lükake aku tagant seadmesse, kuni see topeltklõpsuga kuuldavalt kohale fikseerub.
2. **ETTEVAATUST Korrektselt paigaldamata aku võib töötamise ajal lahti tulla ja alla kukkuda.**

ETTEVAATUST Allakukkuv aku on ohtlik nii Teile kui ka teistele inimestele.

Enne töö alustamist kontrollige, kas aku on seadme külge kindlalt kinnitatud.

6.4 Aku eemaldamine 2

1. Vajutage mõlemale vabastusklahvile.
2. Tõmmake aku suunaga alla seadme küljest ära.

et

6.5 Aku transport ja säilitamine

Tõmmake aku lukustusasendist (töösasendist) esimesse fikseerimisasendisse (transportiasendisse).

Kui eemaldate aku seadmest transportimise või hoiulepaneku eesmärgil, siis veenduge, et akukontaktide vahel ei teki lühist. Eemaldage kohvrast, tööriistakastist või transportimiseks kasutatavast pakendist lahtised metalldetailid, nt kruvid, naelad, klambrid, lahtised kruvikeeramisosakud, traadid ja metallitükid või hoidke ära nimetatud osakeste kokkupuude akudega.

Akude transportimisel (maantee-, raudtee-, mere- või õhuveol) pidage kinni riiklikest ja rahvusvahelistest veoeskirjadest.

7 Töötamine



7.1 Tarvikute vahetus

JUHIS

Ohutuse tagamiseks on seadmel 1/2" välisnelikant-padrunit poolkeraga või 3/4" välisnelikant-padrunit lukustussõrmega.

7.1.1 Seadmete vahetus: 1/2" välisnelikant poolkeraga

JUHIS

Rihtige külmine ava pesas poolkerakaitsmega padrunit välja, vastasel korral ei ole tarvik iseenesliku lahtituleku eest kaitsitud.

7.1.1.1 Otsiku (tarviku) paigaldamine 3

1. Viige reverslüli keskasendisse või eemaldage seadmest aku.
2. Rihtige külmine ava pesas poolkerakaitsmega padrunit välja.
3. Suruge otsikut vastu padrunit, kuni otsik kohale fikseerub.

7.1.1.2 Otsiku eemaldamine 4

1. Viige reverslüli keskasendisse või eemaldage seadmest aku.
2. Tõmmake otsik padrunit küljest maha.

7.1.2 Seadmete vahetus: 3/4" välisnelikant lukustussõrmega

7.1.2.1 Otsiku (tarviku) paigaldamine 5

1. Viige reverslüli keskasendisse või eemaldage seadmest aku.
2. Eemaldage otsiku soonest O-rõngas.
3. Tõmmake lukustusvarras välja.
4. Asetage otsik seadme ajami nelikandile.
JUHIS Veenduge, et seadme ajami nelikandi lukustusvarda kinnituskoha puuravad ja otsik omavahel sobivad.
5. Paigaldage esmalt lukustusvarras ja siis lukustuse O-rõngas uuesti otsikule.

7.1.2.2 Otsiku eemaldamine 6

1. Viige reverslülitit keskasendisse või eemaldage seadmest aku.
2. Eemaldage otsiku soonest O-rõngas.
3. Tõmmake lukustusvarras välja.
4. Eemaldage otsik seadme ajami nelikandilt.
5. Paigaldage esmalt lukustusvarras ja siis lukustuse O-rõngas uuesti otsikule.

7.2 Vasaku või parema käigu reguleerimine 7

JUHIS

Reverslülitiga saate valida seadme spindli pöörlemissuunda. Tõkis takistab ümberlülitamist mootori töötamise ajal. Keskasendis on juhtlülitid lukustatud. Reverslülitid paremal (seadme töösuunas) = parem käik. Reverslülitid vasakul (seadme töösuunas) = vasak käik.

7.3 Sisse-/väljalülitamine

Aeglase vajutamisega juhtlülitile saab pöörete arvu sujuvalt reguleerida nullist kuni maksimumini.

7.4 Kruvikeeramine

HOIATUS

Veenduge, et kruvid ja toorik seadme poolt tekitatava pöördemomendiga sobivad. Liiga kõrge pöördemoment võib avaldada kruvidele või toorikule ülekoormust, neid venitada või kahjustada ja seetõttu ohtlikke olukordi või vigastusi põhjustada.

Reverslülitiga reguleerige välja soovitud pöörlemissuund.

7.5 Aku laetuse astme näit (Li-ioon) 8

JUHIS

Töötamise ajal ei ole võimalik aku laetuse astet teada saada. LED-indikaatori 1 vilkumine annab vaid märku täiesti tühjast või liiga kuumast akust (temperatuur on kõrgem kui 80°). Sellisel juhul tuleb aku asetada akulaadijasse laadima. Kõigi 4 LED-tule vilkumine näitab, et seade on üle koormatud või üle kuumenenud.

Li-ioon-aku on varustatud aku laetuse astme indikaatoriga. Laadimise ajal näitab indikaator aku laetuse astet (vt punkti "Li-ioon-aku laetuse aste"). Aku ühele lukustusnupule vajutamisel näitavad neli LED-tuld töövälisel ajal aku laetuse astet kolme sekundi jooksul.

7.6 Vööklamber 9

ETTEVAATUST

Enne töö algust kontrollige, et vööklamber on kindlalt kinnitatud.

Vööklambri abil saab seadet kinnitada vöö külge, nii et seade on alati haardeulatuses. Vasakukäeliste kasutajate jaoks saab vööklambrit kinnitada ka seadme teisele küljele.

1. Tõmmake aku seadmest välja.
2. Torgake kruviplaat ettenähtud juhikusse.
3. Kinnitage vööklamber kahe kruviga.

8 Hooldus ja korrashoid

ETTEVAATUST

Enne puhastustööde alustamist eemaldage aku, et vältida seadme soovimatut käivitumist!

8.1 Tööriistade hooldus

Eemaldage tarvikute külge jäänud mustus ja hõõrüge tarvikute pealispinda kaitseks korrosiooni eest aeg-ajalt õlise lapiga.

8.2 Seadme hooldus

ETTEVAATUST

Hoidke seade, eelkõige selle käepidemed, puhtad ja vabad õlist ja rasvast. Ärge kasutage silikooni sisaldavaid hooldusvahendeid.

Seadme korpuse pealmine pool on valmistatud löögikindlast plastist. Käepideme osa on kummist.

Ärge kasutage seadet, mille ventilatsioonivad on ummistunud! Puhastage ventilatsioonivasid ettevaatlikult kuiva harjaga. Takistage vöörkehade sissetungimist seadme sisemusse. Puhastage seadme välispinda regulaarselt veidi niiske lapiga. Ärge kasutage

puhastamiseks pihustit, aurupuhastit ega voolavat vett! See võib mõjutada seadme elektrilist ohutust.

8.3 Li-ioon-akude hooldus

Vältige vedelike sissetungimist akusse.

Laadige akud enne seadme esmakordset töölerakendamist täielikult täis.

Aku maksimaalse kasutusea tagamiseks katkestage aku tühjenemine kohe, kui seadme jõudlus tunduvalt väheneb.

JUHIS

Seadme edasise kasutamise korral katkeb tühjenemine automaatselt ja aku LED-tuli 1 vilgub, enne kui akuelemendid kahjustuvad.

Laadige akusid Li-ioon-akude jaoks ette nähtud Hilti akulaadijatega.

JUHIS

- Akude värskenduslaadimine nagu NiCd- või NiMH-akude puhul ei ole vajalik.
- Laadimisprotsessi katkestamine ei mõjuta aku tööiga.
- Laadimist võib igal ajal uuesti alustada, ilma et see avaldaks mõju aku tööeaale. Mälu-efekti nagu NiCd- või NiMH-akude puhul ei esine.
- Akusid tuleks hoida täis laetuna võimalikult jahedas ja kuivas kohas. Akude hoidmine kõrgetel temperatuuridel (aknalaudadel) on ebasoodne, lühendab aku tööiga ja suurendab akuelementide iseeneslikku tühjenemist.
- Kui akut ei saa enam täiesti täis laadida, on aku mahtuvus ülekoormuse või vananemise tõttu vähenud. Akuga saab veel töötada, kuid see tuleks peatselt uue vastu välja vahetada.

et

8.4 Korrashoid

HOIATUS

Elektridetaile tohivad parandada ainult elektriala asjatundjad.

Kontrollige regulaarselt, kas seadme kõik välised detailid on vigastusteta ja kas seadme kõik osad töötavad veatult. Ärge rakendage seadet tööle, kui detailid on vigastatud ega tööta veatult. Laske seade parandada Hilti hooldekeskuses.

8.5 Kontrollimine pärast hooldus- ja korrashoiutöid

Pärast hooldus- ja korrashoiutöid tuleb kontrollida, kas kõik kaitseadised on paigaldatud ja töötavad veatult.

9 Veotsing

Viga	Võimalik põhjus	Kõrvaldamine
Seade ei tööta.	Aku ei ole korrektselt seadmesse asetatud või on tühi.	Aku peab kuuldava topeltklõpsuga kohale fikseerima / Aku tuleb laadida.
	Elektriline rike.	Eemaldage aku seadmest ja pöörduge Hilti hooldekeskusesse.
Seade ei tööta ja 1 LED-tuli vilgub.	Aku on tühi.	Vahetage aku välja ja laadige tühi aku.
	Aku on liiga kuum või liiga külm.	Viige aku soovituslikule temperatuurile.
Seade ei tööta ja kõik 4 LED-tuld vilguvad.	Seade on lühiajaliselt üle koormatud.	Vabastage juhtlüliti ja vajutage uuesti sisse.
	Ülekuumenemiskaitse.	Laske seadmel jahutada. Puhastage ventilatsioonivad.
Toitelüliti ei saa alla vajutada / toitelüliti on kinni kiilunud.	Reverslülitil on kesk-asendis (transpordiasendis)	Viige reverslülitil vasakule või paremale.
Pöörlemiskiirus alaneb järsku tunduvalt.	Aku on tühi.	Vahetage aku välja ja laadige tühi aku.
Aku tühjeneb tavalisest kiiremini.	Aku seisund ei ole optimaalne.	Laske seade Hilti hooldekeskuses üle kontrollida või vahetage aku välja.

Viga	Võimalik põhjus	Kõrvaldamine
Aku ei fikseeru kuuldava topeltklõpsuga kohale.	Aku fiksaatorkeeled on määrdunud.	Puhastage fiksaatorkeeled ja laske akul kohale fikseeruda. Kui viga ei õnnestu kõrvaldada, pöörduge Hilti hooldekeskusse.
Seade või aku muutuvad väga kuumaks.	Elektriline rike. Seade on üle koormatud (seadme jõudluspiirid on ületatud)	Lülitage seade kohe välja, eemaldage seadmest aku ja pöörduge Hilti hooldekeskusesse. Valige antud töö jaoks sobiv seade.

et

10 Utiliseerimine

ETTEVAATUST

Seadme nõuetevastane utiliseerimine võib kaasa tuua järgmist: Plastdetailide põlemisel tekivad mürgised gaasid, mis võivad põhjustada inimeste haigestumist. Kahjustatud või ülekuumenenud patareid võivad plahvatada ja põhjustada mürgitusi, põletusi, söövitusi või keskkonna saastumist. Hooletu utiliseerimine võimaldab kõrvalistel isikutel seadet mittesihipäraselt kasutada. Sellega võivad nad tõsiselt vigastada ennast ja teisi inimesi ning reostada keskkonda.

ETTEVAATUST

Defektsed akud utiliseerige kohe. Hoidke neid laste eest. Ärge võtke akusid lahti ja ärge põletage neid.

ETTEVAATUST

Kasutusressursi ammendanud akud utiliseerige vastavalt kohalikele nõuetele või toimetage Hilti müügiesinduse poolt näidatud aadressil.



Enamik Hilti seadmete valmistamisel kasutatud materjalidest on taaskasutatavad. Materjalid tuleb enne taaskasutust korralikult sorteerida. Paljudes riikides võtavad Hilti esindused vanu seadmeid utiliseerimiseks vastu. Lisainfot saate Hilti klienditeenindusest või müügiesindusest.



Üksnes EL liikmesriikidele

Ärge käideldage kasutusressursi ammendanud elektrilisi tööriistu koos olmejäätmetega!

Vastavalt Euroopa Parlamendi ja nõukogu direktiivile elektri- ja elektroonikaseadmete jäätmete kohta ning direktiivi nõudeid ülevõtivatele siseriiklikele õigusaktidele tuleb kasutusressursi ammendanud elektrilised tööriistad eraldi kokku koguda ja keskkonnasäästlikult korduskasutada või ringlusse võtta.

11 Tootja garantii seadmetele

Hilti garanteerib, et tarnitud seadmel ei esine materjali- ega tootmisvigu. Garantii kehtib tingimusel, et seadet kasutatakse, käsitsetakse, hooldatakse ja puhastatakse vastavalt Hilti kasutusjuhendis esitatud nõuetele ja et säilinud on seadme tehniline terviklikkus, s.t. et seadmes on kasutatud üksnes Hilti originaaltarvikuid, -varuosid ja -materjale.

Käesoleva garantii alusel parandatakse või asendatakse defektsed osad tasuta seadme kogu kasutusea jooksul. Detailide normaalne kulumine ei kuulu garantii alla.

Kõik teistsugused nõuded on välistatud, välja arvatud juhul, kui see on vastuolus kasutusriigis kehtivate seadustega. Eelkõige ei vastuta Hilti otseste, kaudsete, juhuslike ega järgnevate kahjustuste, kahjude või kulutuste eest, mille põhjuseks on seadme kasutamine või kasutamise võimatus. Välistatud on kaudsed kasutatavuse või teatud otstarbeks sobivuse garantiid.

Parandamiseks või asendamiseks tuleb seade ja/või asjaomased osad saata kohe pärast puuduse avastamist Hilti müügiesinduse poolt näidatud aadressile.

Käesolev garantii hõlmab kõiki Hilti garanteerimise kohustusi ning asendab kõiki varasemaid või samal ajal tehtud garantiikohustusi käsitlevaid avaldusi ning kirjalikke ja suulisi kokkuleppeid.

12 EÜ-vastavusdeklaratsioon (originaal)

Nimetus:	Akulöökmutrikeeraja
Tüübitähis:	SIW 22T-A
Generatsioon:	01
Valmistusaasta:	2013

Kinnitame ainuvastutajana, et käesolev toode vastab järgmiste direktiivide ja normide nõuetele: EN 60745-1, EN 60745-2-2, 2006/42/EÜ, 2004/108/EÜ, 2006/66/EÜ, 2011/65/EL, EN ISO 12100.

Hilti Corporation, Feldkircherstrasse 100, FL-9494 Schaan

et

Paolo Luccini
Head of BA Quality and Process Management
Business Area Electric Tools & Accessories
06/2013

Jan Doongaji
Executive Vice President
Business Unit Power Tools & Accessories
06/2013

Tehnilised dokumendid saadaval:

Hilti Entwicklungsgesellschaft mbH
Zulassung Elektrowerkzeuge
Hiltistrasse 6
86916 Kaufering
Deutschland

ОРИГІНАЛЬНА ІНСТРУКЦІЯ З ЕКСПЛУАТАЦІЇ

Акумуляторний ударний гайковерт із зовнішнім чотиригранником SIW 22T-A

Перш ніж розпочинати роботу, уважно прочитайте інструкцію з експлуатації.

Завжди зберігайте цю інструкцію з експлуатації разом з інструментом.

При зміні власника передавайте інструмент лише разом із інструкцією з експлуатації.

Зміст

1	Загальні вказівки	166
2	Опис	167
3	Приладдя	169
4	Технічні дані	169
5	Вказівки з техніки безпеки	171
6	Підготовка до роботи	175
7	Експлуатація	176
8	Догляд і технічне обслуговування	178
9	Пошук несправностей	179
10	Утилізація	180
11	Гарантійні зобов'язання виробника інструмента	181
12	Сертифікат відповідності ЄС (оригінал)	181

1 Цифрами позначено ілюстрації. Ілюстрації до тексту розміщені на розворотах обкладинки. Розгорніть їх при ознайомленні з цією інструкцією.

У тексті цієї інструкції з експлуатації «інструмент» завжди означає акумуляторний ударний гайковерт із зовнішнім чотиригранником SIW 22T-A та уставленою акумуляторною батареєю.

Органи керування та елементи конструкції інструмента **1**

- 1 Затискний патрон
- 2 Вимикач (із електронним регулятором числа обертів)
- 3 Перемикач напряму обертання за годинниковою стрілкою/проти неї з блокуванням увімкнення
- 4 Розблокувальні кнопки з додатковою функцією активації індикатора стану заряду акумуляторної батареї
- 5 Заводська табличка
- 6 Індикатор стану заряду та несправності (літій-іонна акумуляторна батарея)
- 7 Поясний гачок (опціонально)

1 Загальні вказівки

1.1 Сигнальні слова та їх значення

НЕБЕЗПЕКА

Вказує на безпосередньо загрожуючу небезпеку, що може призвести до тяжких тілесних ушкоджень або навіть до смерті.

ПОПЕРЕДЖЕННЯ

Вказує на потенційно небезпечну ситуацію, яка може призвести до тяжких тілесних ушкоджень або навіть до смерті.

ОБЕРЕЖНО

Вказує на потенційно небезпечну ситуацію, яка може призвести до легких тілесних ушкоджень та до матеріальних збитків.

ВКАЗІВКА

Для вказівок щодо експлуатації та для іншої корисної інформації.

1.2 Пояснення піктограм та інша інформація

Попереджувальні знаки



Загальна небезпека



Небезпека враження електричним струмом



Попередження щодо хімічно агресивних речовин

Наказові знаки



Використовуйте захисні окуляри



Використовуйте захисний шолом



Використовуйте захисні навушники



Використовуйте захисні рукавиці



Використовуйте респіратор

uk

Символи



Перед застосуванням прочитайте інструкцію з експлуатації



Відпрацьовані матеріали відправляйте на переробку



Вольт



Постійний струм

n_0

Номінальна частота обертання в режимі холостого ходу

/min

Обертів за хвилину

Місця розташування ідентифікаційних позначок на інструменті

Тип інструмента вказано на заводській табличці, а його серійний номер – збоку на корпусі електродвигуна. Занесіть ці дані до інструкції з експлуатації і завжди посилайтесь на них, звертаючись до нашого представництва та до відділу сервісного обслуговування.

Тип:

Версія: 01

Заводський №:

2 Опис

2.1 Застосування за призначенням

SIW 22T-A – це ручний акумуляторний ударний гайковерт із зовнішнім чотиригранником. Він призначений для загвинчування та вигвинчування гайок, болтів, дюбелів та шурупів.

Забороняється застосовувати інструмент для обробки шкідливих для здоров'я речовин, наприклад, азбесту.

Просимо враховувати також національні правила техніки безпеки.

Не застосовуйте акумуляторні батареї в якості джерел живлення для інших, не зазначених у специфікації, користувачів.

Вносити будь-які зміни в конструкцію інструмента заборонено. Щоб уникнути ризику травмування, використовуйте лише оригінальне приладдя та інструменти виробництва компанії Hilti.

Інструмент не треба використовувати у тому випадку, коли потребується точний/особливий обертовий момент. Під час застосування інструмента за умов, коли необхідно використо-

вувати особливий обертовий момент або коли його не можна перевищувати, існує небезпека зривання різьби, пошкодження гвинта або оброблюваного об'єкта. У таких випадках необхідно використовувати інструмент з чітким регулюванням обертового моменту.

Дотримуйтесь приписів з експлуатації, догляду й технічного обслуговування інструмента, наведених в інструкції з експлуатації.

Інструмент призначено для професійного користувача, а тому його експлуатація, технічне обслуговування та ремонт доручайте лише авторизованому персоналу зі спеціальною підготовкою. Цей персонал повинен бути спеціально проінструктований про можливі небезпеки. Інструмент та його допоміжні засоби можуть стати джерелом небезпеки в разі їх неправильного застосування некваліфікованим персоналом або при використанні не за призначенням.

Можливі області застосування: будівельний майданчик, майстерня, ремонтні роботи, реконструкція та новобудова.

2.2 Затискний патрон

uk

Затискний патрон із зовнішнім чотиригранником $\frac{1}{2}$ " та півсферою

Затискний патрон із зовнішнім чотиригранником $\frac{3}{4}$ " та штифтовим замком

2.3 Перемикач

Вимикач з електронним регулятором числа обертів

Перемикач на пряму обертання за годинниковою стрілкою/проти неї з блокуванням від увімкнення

2.4 До комплекту постачання у валізі входять:

- 1 Інструмент
- 1 Інструкція з експлуатації
- 1 Валіза Hilti

2.5 До комплекту постачання в картонній коробці входять:

- 1 Інструмент
- 1 Інструкція з експлуатації

2.6 Для експлуатації інструмента додатково потрібні:

Акумуляторна батарея В 22/2.6 Li-Ion або В 22/3.3 Li-Ion із зарядним пристроєм С4/36-90 або С4/36-350, або С 4/36, або С 4/36-ACS, або С 4/36-ACS TPS.

2.7 Індикатор стану заряду та перегріву літій-іонної акумуляторної батареї

Світлодіод постійного світіння	Світлодіод миготливого світіння	Стан заряду С
Світлодіод 1, 2, 3, 4	-	$C \geq 75\%$
Світлодіод 1, 2, 3	-	$50\% \leq C < 75\%$
Світлодіод 1, 2	-	$25\% \leq C < 50\%$
Світлодіод 1	-	$10\% \leq C < 25\%$
-	Світлодіод 1	$C < 10\%$
-	Світлодіод 1	Перегрів акумуляторної батареї

2.8 Індикатор перенавантаження та перегріву інструмента

Інструмент оснащено електронним запобіжником від перенавантаження та перегріву. При перенавантаженні та перегріванні інструмент автоматично вимикається. Якщо вимикач відпустити, а потім знову натиснути, відбувається затримка увімкнення інструмента (він охолоджується).

Світлодіод постійного світіння	Світлодіод миготливого світіння	Стан інструмента
-	Світлодіод 1, 2, 3, 4	Інструмент перервантажений або перегрітий

3 Приладдя

Позначення	Умове позначення
Змінна насадка	S-NSD та SV
Зарядний пристрій для літій-іонної акумуляторної батареї	C 4/36
Зарядний пристрій для літій-іонної акумуляторної батареї	C 4/36
Зарядний пристрій для літій-іонної акумуляторної батареї	C 4/36
Зарядний пристрій для літій-іонної акумуляторної батареї	C 4/36-90
Зарядний пристрій для літій-іонної акумуляторної батареї	C 4/36-350
Акумуляторна батарея	B 22/3.3 Li-Ion
Акумуляторна батарея	літій-іонна B 22/2.6
Акумуляторна батарея	B 22/1.6 Li-Ion
Поясний гачок	

uk

4 Технічні дані

Зберігаємо за собою право на технічні зміни!

Інструмент	SIW 22T-A ½"	SIW 22T-A ¾"
Номінальна напруга (постійного струму)	21,6 В	21,6 В
Маса згідно з процедурою ЕРТА від 01/2003	3 кг	3,2 кг
Габаритні розміри (Д x Ш x В)	232 мм x 94 мм x 258 мм	251 мм x 94 мм x 258 мм
Розрахункове число обертів на холостому ході	0...2 000/min	0...2 000/min
Частота ударів	Макс. 2 500 уд/хв	Макс. 2 500 уд/хв
Обертний момент	450 Нм	450 Нм
Стандартний гвинт	M12 - M24	M12 - M24
Високоміцний гвинт	M8 - M16	M8 - M16
Затискний патрон	Зовнішній чотиригранник ½" з півсферою	Зовнішній чотиригранник ¾" з фіксатором
Регулювання частоти обертання	електронне, за допомогою вимикача	електронне, за допомогою вимикача
Обертання за годинниковою стрілкою/проти неї	електр. перемикач з блокуванням перемикачання під час роботи	електр. перемикач з блокуванням перемикачання під час роботи
Захист від глибокого розрядження	так	так

ВКАЗІВКА

Шумові параметри (виміряні згідно зі стандартом EN 60745-1):

Інструмент	SIW 22T-A ½"	SIW 22T-A ¾"
Скоригований за шкалою "А" типовий рівень шумової потужності	108 дБ (А)	111 дБ (А)

Інструмент	SIW 22T-A 1/2"	SIW 22T-A 3/4"
Скоригований за шкалою "А" типовий рівень створюваного шумового тиску	97 дБ (А)	100 дБ (А)
Похибка наведених вище значень рівня шумового тиску	3 дБ (А)	3 дБ (А)

ВКАЗІВКА

uk Наведений у цих рекомендаціях рівень шуму та вібрації вимірювався за методом згідно зі стандартом EN 60745, що дозволяє використовувати його для взаємного порівняння електроінструментів. Він придатний також для попереднього оцінювання шумовібраційного навантаження. Указаний рівень шуму та вібрації і обумовлює переважні сфери застосування електроінструмента. Однак у разі його використання не за призначенням, при застосуванні нестандартного змінного робочого інструмента та при неналежному догляді рівень шуму і вібрації може посилюватися. Це може призвести до помітного збільшення шумовібраційного навантаження протягом усього робочого часу. Для більш точної оцінки шумовібраційного навантаження необхідно враховувати також проміжки часу, протягом яких інструмент вимкнений або ж працює, хоч насправді й не знаходиться в експлуатації. Це допоможе помітно знизити шумовібраційне навантаження протягом усього робочого часу. Уживайте також додаткових заходів безпеки з метою захисту працівника від дії вібрації, зокрема: своєчасне технічне обслуговування електроінструмента та змінних робочих інструментів до нього, утримування рук у теплі, належна організація робочого процесу.

Додаткова інформація згідно з EN 60745

Значення вібрації за трьома осями (векторна сума)	виміряно згідно з EN 60745-2-2
Ударне загвинчування кріпильних елементів максимального розміру за допомогою інструмента 1/2", a _h	14,5 м/с ²
Ударне загвинчування кріпильних елементів максимального розміру за допомогою інструмента 3/4", a _h	14,2 м/с ²
Похибка (К)	1,5 м/с ²

Акумуляторна батарея	B 22/3.3 Li-Ion	B 22/2.6 Li-Ion	B 22/1.6 Li-Ion
Номінальна напруга	21,6 В	21,6 В	21,6 В
Ємність акумуляторної батареї	3,3 Аг	2,6 Аг	1,6 Аг
Маса	0,78 кг	0,78 кг	0,48 кг
Система контролю температури при заряджанні	так	так	так
Система контролю температури при розряджанні	так	так	так
Різновид елемента	Літій-іонний	Літій-іонний	Літій-іонний
Блок елементів	12 шт.	12 шт.	6 шт.
Енергоємність	71,28 Вт/г	56,16 Вт/г	34,56 Вт/г

5 Вказівки з техніки безпеки

ВКАЗІВКА

У наступному розділі наведені усі загальні вказівки з техніки безпеки при роботі з електроінструментами, які повинні бути наведені в інструкції з експлуатації згідно з чинними нормами та вимогами. А тому там можуть міститися також вказівки, що не стосуються даного інструмента.

5.1 Загальні вказівки з техніки безпеки при роботі з електроінструментами

a) ПОПЕРЕДЖЕННЯ

Уважно прочитайте всі вказівки та інструкції з техніки безпеки. Щонайменшого недотримання вказівок та інструкцій з техніки безпеки може бути досить для враження електричним струмом, пожежі та/або тяжких травм. **Зберігайте всі інструкції та вказівки з техніки безпеки для їх можливого застосування в майбутньому.** Використовуваний у вказівках з техніки безпеки термін «електроінструмент» стосується як електроінструментів, що працюють від електричної мережі (з кабелем живлення), так і електроінструментів, які працюють від акумулятора (без кабелю живлення).

uk

5.1.1 Безпека на робочому місці

- a) **Утримуйте робоче місце в чистоті та подбайте про його достатнє освітлення.** Безлад на робочому місці та недостатнє освітлення можуть стати причиною нещасних випадків.
- b) **Не працюйте з електроінструментом у вибухонебезпечному середовищі, що містить в собі легкозаймисті рідини, гази або пил.** Під час роботи електроінструмент іскрить, від чого можуть зайнятися легкозаймисті випари або пил.
- c) **Подбайте, щоб під час застосування електроінструмента поблизу не було дітей та сторонніх.** Адже щонайменшого відволікання достатньо, щоб втратити над ним контроль.

5.1.2 Електрична безпека

- a) **Штепсельна вилка електроінструмента повинна пасувати до розетки живлення. Забороняється вносити зміни до конструкції штепсельної вилки. Не дозволяється застосовувати перехідні штепсельні вилки в електроінструментах із захисним заземленням.** При застосуванні оригінальних штепсельних вилок і відповідних їм розеток знижується ризик ураження електричним струмом.
- b) **Уникайте під час роботи торкатися заземлених поверхонь, наприклад, труб, радіаторів опалення, печей та холодильників.** Якщо ваше тіло знаходиться в контакті з системою заземлення, існує підвищений ризик ураження електричним струмом.
- c) **Захищайте електроінструменти від дії дощу та вологи.** У разі проникнення води в електроінструмент підвищується ризик ураження електричним струмом.
- d) **Не використовуйте кабель не за призначенням, не переносьте за нього електроінструмент, не користуйтеся ним для підвішування інструмента та не витягуйте за нього штепсельну вилку з розетки. Оберігайте кабель від впливу високих температур, від дії мастил, гострих кромок або рухомих частин інструмента.** Пошкоджені або заплутані кабелі підвищують ризик ураження електричним струмом.
- e) **При роботі з електроінструментом під відкритим небом використовуйте лише подовжувальний кабель, придатний для зовнішнього застосування.** Використання подовжувального кабелю, що має допуск для зовнішнього застосування, зменшує ризик ураження електричним струмом.
- f) **Якщо неможливо уникнути експлуатації електроінструмента за умов підвищеної вологості, використовуйте автомат захисту від струмів витоку.** Застосування автомата захисту від струмів витоку зменшує ризик ураження електричним струмом.

5.1.3 Безпека персоналу

- a) **Будьте уважні, зосередьтесь на виконуваній операції, до роботи з електроінструментом поставтесь свідомо. Не користуйтеся електроінструментом, якщо Ви втомлені або перебуваєте під дією наркотиків, алкоголю чи лікарських засобів.** Під час роботи з електроінструментом не відволікайтесь ні на мить, бо це може призвести до серйозних травм.
- b) **Використовуйте засоби індивідуального захисту і завжди носіть захисні окуляри.** Використання засобів індивідуального захисту, наприклад, респіратора, захисного взуття на нековзній підшві, захисного шолома або шумозахисних навушників — в залежності від різновиду електроінструмента та особливостей роботи — зменшує ризик травмування.
- c) **Уникайте випадкового вмикання інструмента. Перш ніж вставляти штепсельну вилку в розетку живлення та/або під'єднувати акумулятор, піднімати електроінструмент або переносити його, переконайтесь в тому, що його було належним чином вимкнено.** Якщо під час перенесення електроінструмента тримати палець на вимикачі або ж увімкненим під'єднувати його до джерела живлення, це може призвести до нещасного випадку.
- d) **Перш ніж вмикати інструмент, приберіть усі налагоджувальні приладдя або гайкові ключі.** Приладдя або ключ, що знаходяться в обертовому вузлі інструмента, можуть призвести до травмування.
- e) **Уникайте працювати в незручній позі. Під час виконання робіт ставайте в стійку позу і намагайтесь повсякчас утримувати рівновагу.** Це дозволить Вам упевненіше поратися з інструментом за несподіваних обставин.
- f) **Вдягайте відповідний робочий одяг. Не вдягайте для роботи занадто просторий одяг та прикраси. Слідкуйте, щоб волосся, одяг та робочі рукавиці знаходилися подалі від обертових частин інструмента.** Просторий одяг, прикраси або довге волосся можуть бути захоплені рухомими частинами інструмента.
- g) **Якщо передбачена можливість змонтувати пиловідсоси й пилозбірники, обов'язково упевніться в тому, що вони правильно під'єднані й використовуються належним чином.** При застосуванні системи пиловидалення зменшується ризик ураження персоналу шкідливим пилом.

5.1.4 Застосування електроінструмента та догляд за ним

- a) **Не допускайте перевантаження інструмента. Завжди використовуйте електроінструмент, передбачений для виконання саме такої роботи.** При використанні належного електроінструмента забезпечуються більш висока якість та безпека виконуваних робіт у вказаному діапазоні продуктивності.
- b) **Не користуйтеся електроінструментом, в якого вийшов з ладу вимикач.** Електроінструмент, який неможливо вмикати чи вимикати, небезпечний і підлягає ремонту.
- c) **Перш ніж розпочинати налаштування інструмента, виконувати заміну приладдя чи просто робити перерву в роботі, не забудьте вийняти штепсельну вилку з розетки та/або вийняти з інструмента акумулятор.** Такий захід безпеки допоможе запобігти випадковому увімкненню електроінструмента.
- d) **Електроінструменти, якими наразі не користуються, зберігайте в недоступному для дітей місці. Не дозволяйте користуватися інструментом особам, які з ним не ознайомлені або не читали цих інструкцій.** У руках недосвідчених людей електроінструменти являють собою серйозну небезпеку.
- e) **Електроінструменти потребують дбайливого догляду. Ретельно контролюйте, чи бездоганно працюють та чи не заклинюють рухомі частини, чи не зламалися або не зазнали інших пошкоджень деталі, від яких залежить справна робота електроінструмента. Пошкоджені деталі завчасно, ще до початку роботи з інструментом, здайте в ремонт.** Багатьох нещасних випадків удалося б уникнути за умови належного технічного обслуговування електричних інструментів.
- f) **Утримуйте ріжучі інструменти в чистоті та належним чином заточеними.** Дбайливо доглянутий ріжучий інструмент

з гострими різальними кромками не так часто заклинюється, і ним легше працювати.

- g) **Застосовуйте електроінструмент, приладдя до нього, робочі інструменти і т. п. лише у суворій відповідності до цих вказівок. При цьому завжди враховуйте умови в місці виконання робіт та самі виконувані роботи.** Використання електроінструментів не за призначенням може призвести до виникнення небезпечних ситуацій.

5.1.5 Застосування акумуляторного інструмента та належний догляд за ним

- a) **Для заряджання акумуляторів застосовуйте лише зарядні пристрої, рекомендовані виробником.** Зарядний пристрій, придатний для заряджання акумуляторів певного типу, може спричинити пожежу, якщо його застосовувати для заряджання акумуляторів інших типів.
- b) **Для живлення електроінструментів застосовуйте лише спеціально для цього призначені акумуляторні батареї.** Застосування інших акумуляторів може призвести до травмування та стати причиною виникнення пожежі.
- c) **Тримайте наразі невикористовуваний акумулятор подалі від конторських скріпок, монет, ключів, цвяхів, гвинтів та інших дрібних металевих предметів, які могли б спричинити коротке замикання його контактів.** Коротке замикання контактів акумулятора може призвести до опіків або ж до пожежі.
- d) **При неправильному застосуванні з акумуляторної батареї може пролитися рідина. Уникайте контакту з нею. У разі випадкового контакту негайно змийте достатньою кількістю води. Якщо рідина потрапила в очі, рекомендується додатково звернутися по лікарську допомогу.** Пролита з акумулятора рідина може призвести до подразнення шкіри або опіків.

uk

5.1.6 Сервісне обслуговування

- a) **Доручайте ремонт інструмента лише кваліфікованому персоналу зі спеціальною підготовкою за умови використання тільки оригінальних запасних частин.** За рахунок цього буде забезпечено безпеку під час роботи з електроінструментом.

5.2 Додаткові вказівки з техніки безпеки

5.2.1 Безпека персоналу

- a) **Під час виконання робіт, при яких шуруп може натрапити на приховані електропроводи, утримуйте інструмент за ізольовані поверхні рукояток.** При контакті шурупа з електричним дротом під напругою металеві деталі інструмента також потраплять під напругу, а це може призвести до враження електричним струмом.
- b) **Використовуйте захисні навушники.** Під дією шуму можуть постраждати органи слуху.
- c) **У разі експлуатації інструмента без системи видалення пилу при виконанні робіт в умовах підвищеного пилоутворення необхідно користуватися легким респіратором.**
- d) **Щоб під час роботи у вас не затерпали руки, робіть перерви та виконуйте вправи на розслаблення і розминання пальців з метою покращення кровообігу в них.**
- e) **Уникайте доторкання до деталей інструмента, що обертаються. Вмикати інструмент дозволяється лише у межах робочої зони.** При торканні деталей пристрою, що обертаються, зокрема його обертових робочих інструментів, не виключене отримання тяжких травм.
- f) **На час зберігання інструменту на складі або транспортування заблокуйте його вмикання, для чого перемикач напряму обертання за годинниковою стрілкою/проти неї повинен бути приведений в середнє положення.**
- g) **Обов'язково роз'ясніть дітям, що гратися з електроінструментом суворо заборонено.**
- h) **Інструмент не призначений для застосування дітьми або недосить фізично сильними особами, що не отримали інструктаж.**
- i) **Пил, що містить в собі такі матеріали, як фарби із вмістом свинцю, тирсу деяких порід деревини, мінерали та метал, може бути шкідливим для здоров'я.** При контакті з таким пилом або його вдиханні у користувача електроінструмента та в людей, що під час роботи з ним знаходяться поблизу,

можуть виникнути алергійні реакції та/або захворювання дихальних шляхів. Деякі різновиди пилу, наприклад, деревини дуба чи бука, вважаються канцерогенними, особливо в поєднанні з присадками для обробки деревини (хромат, засоби для захисту деревини). До обробки матеріалів, що містять азбест, допускаються лише фахівці зі спеціальною підготовкою. **Намагайтеся працювати лише зі справним пиловідводом. З метою ефективного відведення пилу застосовуйте відповідний мобільний пилосос, рекомендований компанією Hilti для видалення дерев'яного та/або мінерального пилу, спеціально розрахований на експлуатацію саме з цим конкретним електроінструментом. Потурбуйтеся про належну вентиляцію робочого місця. Рекомендується вдягати респіратор з фільтром класу P2. Дотримуйтеся чинних у своїй країні норм та приписів щодо оброблюваних матеріалів.**

5.2.2 Належне застосування електроінструментів та дбайливий догляд за ними

- uk
- a) **Надійно зафіксуйте оброблювану заготовку. Для надійного утримання заготовки використовуйте затискний пристрій або ж лещата.** Так вона буде зафіксована надійніше, ніж коли її просто тримати в руці; крім того, у Вас обидві руки будуть вільні для роботи з інструментом.
 - b) **Достеменно упевніться в тому, що для кожного застосовуваного робочого інструмента є відповідний затискний пристрій та що цей змінний робочий інструмент щоразу належним чином зафіксовано у затискному патроні.**
 - c) **Переконайтеся, що гвинти та оброблюваний об'єкт розраховані на обертовий момент, який розвиває цей інструмент.** Перевищення обертового моменту може призвести до перевантаження, розтягування або пошкодження гвинтів та оброблюваного об'єкта, що у свою чергу може спричинити аварійні ситуації або травми.

5.2.3 Використання акумуляторних інструментів та дбайливий догляд за ними

- a) **Не піддавайте акумуляторні батареї впливу високих температур та відкритого вогню.** Це становитиме реальну загрозу вибуху.
- b) **Акумуляторні батареї забороняється розбирати чи іншим чином порушувати їх цілісність, нагрівати до температури понад 80 °C або спалювати.** У разі недотримання цієї вимоги існує небезпека загоряння, вибуху та отримання хімічних опіків.
- c) **Не застосовуйте жодних інших акумуляторних батарей, окрім тих, що призначені для даного конкретного інструмента.** При використанні акумуляторних батарей інших типів або ж їх застосуванні не за призначенням існує ризик загоряння або й вибуху.
- d) **Дотримуйтеся також особливих приписів щодо транспортування, складського зберігання та застосування літій-іонних акумуляторних батарей.**
- e) **Пошкоджені акумуляторні батареї (зокрема, з тріщинами, відламаними деталями, погнутими, вдавленими або витягнутими контактами) не можна ні заряджати, ані продовжувати їх використовувати.**
- f) **Якщо акумуляторна батарея нагрівається так, що до неї боляче торкатись, це може вказувати на те, що вона вийшла з ладу. Залиште інструмент у невогнебезпечному місці на достатній відстані від горючих матеріалів, де за ним можна спостерігати, і дайте йому охолонути. Після того, як акумуляторна батарея охолоне, зверніться до відділу сервісного обслуговування компанії Hilti.**

5.2.4 Електрична безпека



Перед початком роботи перевіряйте робоче місце на наявність прихованих електропроводів, газових та водопровідних труб за допомогою, наприклад, металошукача. Відкриті металеві деталі інструмента можуть стати провідниками електричного струму, якщо, зокрема, під час роботи будуть

випадково пошкоджені електричні дроти. При цьому виникає серйозний ризик ураження електричним струмом.

5.2.5 Безпека на робочому місці

- Робоче місце повинне бути достатньо освітлене.**
- Подбайте про належну вентиляцію робочого місця.** Недостатньо провітрюване робоче місце може стати причиною погіршення стану здоров'я через високе пилове навантаження.

5.2.6 Засоби індивідуального захисту



Під час роботи з інструментом сам користувач, а також особи, що перебувають безпосередньо в місці проведення робіт, повинні використовувати відповідні захисні окуляри, шолом, навушники, робочі рукавиці та легкий респіратор.

uk

6 Підготовка до роботи



6.1 Дбайливий догляд за акумуляторними батареями

ВКАЗІВКА

При низьких температурах потужність акумуляторної батареї знижується. Не продовжуйте розряджати акумулятора, аж поки інструмент сам зупиниться. Своєчасно подбайте про заміну розрядженої батареї свіжою. Одразу ж поставте розряджену акумуляторну батарею на заряджання для подальшої заміни.

Зберігайте акумуляторну батарею в якомога більш прохолодному та сухому місці. Забороняється зберігати батарею на сонці, на опалювальних приладах або ж за віконними шибамі. Після завершення служби акумуляторні батареї повинні бути утилізовані з дотриманням чинних вимог щодо захисту довкілля та безпеки.

6.2 Заряджання акумуляторної батареї



ОБЕРЕЖНО

Використовуйте тільки зарядні пристрої виробництва компанії Hilti, які наведені у розділі «Змінні робочі інструменти, приладдя».

6.2.1 Перше заряджання нової акумуляторної батареї

Перед першим введенням акумуляторної батареї в експлуатацію її необхідно повністю зарядити.

6.2.2 Заряджання акумуляторної батареї, що вже була у вжитку

Упевніться в тому, що зовнішні поверхні акумуляторної батареї чисті й сухі, перш ніж вставляти її у відповідний зарядний пристрій.

Стосовно процесу заряджання наполегливо рекомендуємо ознайомитися з інструкцією з експлуатації зарядного пристрою.

Літій-іонні акумуляторні батареї повсякчас готові до експлуатації, навіть у лише частково зарядженому стані. Перебіг процесу заряджання показують світлодіодні індикатори (див. інструкцію з експлуатації зарядного пристрою).

6.3 Установлення акумуляторної батареї

ОБЕРЕЖНО

Перед тим, як вставляти акумуляторну батарею в інструмент, упевніться в тому, що інструмент вимкнено та заблоковано від вмикання (перемикач напряму обертання за годинниковою стрілкою/проти неї знаходиться в середньому положенні). Застосовуйте лише дозволені для експлуатації з Вашим пристроєм акумуляторні батареї Hilti.

ОБЕРЕЖНО

Перш ніж уставляти акумуляторну батарею в інструмент, переконайтеся, що на контактах акумуляторної батареї та інструмента немає сторонніх предметів.

1. Уставте акумуляторну батарею в інструмент знизу, аж поки вона не зафіксується з добре відчутним подвійним клацанням, дійшовши упору.
2. **ОБЕРЕЖНО Якщо акумуляторна батарея неправильно вставлена, вона може випасти під час роботи.**

ОБЕРЕЖНО Падіння акумуляторної батареї може становити небезпеку для Вас та інших осіб.

Перед початком роботи переконайтеся, що акумуляторна батарея надійно зафіксована в інструменті.

uk

6.4 Знімання акумуляторної батареї 2

1. Натисніть обидві розблокувальні кнопки.
2. Зніміть акумуляторну батарею з інструмента, потягнувши її в напрямку, протилежному напрямку встановлення.

6.5 Транспортування й зберігання акумуляторних батарей

Потягніть за акумуляторну батарею, щоб вона вийшла із заблокованого положення (робоче положення) в перше зафіксоване положення (транспортне положення).

При від'єднанні від інструмента акумуляторної батареї з метою її транспортування або складського зберігання необхідно упевнитись в тому, що контакти акумуляторної батареї не замкнені. Видаліть з валізи, інструментального ящика чи транспортного контейнера незакріплені металеві деталі, зокрема, гвинти, цвяхи, скоби, зняті наконечники гвинтокрута, дроти й металеву стружку або ж подбайте про те, щоб вони не торкалися акумуляторних батарей.

При транспортуванні акумуляторних батарей (автомобільним, залізничним, морським чи повітряним транспортом) дотримуйтесь правил національних та міжнародних транспортних перевезень.

7 Експлуатація



7.1 Заміна змінного робочого інструмента

ВКАЗІВКА

Інструмент оснащений затискним патроном із зовнішнім чотиригранником $\frac{1}{2}$ " та півсферою або затискним патроном із зовнішнім чотиригранником $\frac{3}{4}$ " та штифтовим замком, які забезпечують фіксацію змінного робочого інструмента.

7.1.1 Заміна робочого інструмента із зовнішнім чотиригранником $\frac{1}{2}$ " та півсферою

ВКАЗІВКА

Вирівняйте боковий отвір у затискній втулці з півсферою на затискному патроні; інакше кріплення змінного робочого інструмента може бути раптово послаблене.

7.1.1.1 Установлення затискної втулки (змінного робочого інструмента) 3

1. Переведіть перемикач напряму обертання за годинниковою стрілкою/проти неї в середнє положення або від'єднайте акумуляторну батарею від інструмента.
2. Вирівняйте боковий отвір у затискній втулці з півсферою на затискному патроні.

3. Натискайте на затискну втулку, поки вона не зафіксується на затискному патроні.

7.1.1.2 Знімання затискної втулки (змінного робочого інструмента) 4

1. Переведіть перемикач напряму обертання за годинниковою стрілкою/проти неї в середнє положення або від'єднайте акумуляторну батарею від інструмента.
2. Витягніть затискну втулку із затискного патрона.

7.1.2 Заміна робочого інструмента із зовнішнім чотиригранником $\frac{3}{4}$ " та штифтовим замком

7.1.2.1 Установлення затискної втулки (змінного робочого інструмента) 5

1. Переведіть перемикач напряму обертання за годинниковою стрілкою/проти неї в середнє положення або від'єднайте акумуляторну батарею від інструмента.
2. Дістаньте ущільнювальне кільце з прорізу на затискній втулці.
3. Витягніть запобіжний штифт.
4. Установіть затискну втулку на приводний чотиригранник інструмента.

ВКАЗІВКА Слідкуйте за тим, щоб під час встановлення запобіжного штифта отвори на приводному чотириграннику співпадали із отворами на затискній втулці.

5. Спочатку встановіть запобіжний штифт на затискну втулку, а потім зафіксуйте його за допомогою ущільнювального кільця.

7.1.2.2 Знімання затискної втулки (змінного робочого інструмента) 6

1. Переведіть перемикач напряму обертання за годинниковою стрілкою/проти неї в середнє положення або від'єднайте акумуляторну батарею від інструмента.
2. Дістаньте ущільнювальне кільце з прорізу на затискній втулці.
3. Витягніть запобіжний штифт.
4. Зніміть затискну втулку з приводного чотиригранника інструмента.
5. Спочатку встановіть запобіжний штифт на затискну втулку, а потім зафіксуйте його за допомогою ущільнювального кільця.

7.2 Установлення напряму обертання за годинниковою стрілкою чи проти неї 7

ВКАЗІВКА

За допомогою перемикача напряму обертання за годинниковою стрілкою/проти неї можна вибрати напрям обертання змінного робочого інструмента. Блокувальний пристрій не дозволяє перемикати напрям обертання під час роботи двигуна. Перемикач заблоковано в середньому положенні. Переведіть перемикач напряму обертання за годинниковою стрілкою/проти неї у положення праворуч (відносно робочого положення інструмента), щоб розпочати обертання за годинниковою стрілкою. Переведіть перемикач напряму обертання за годинниковою стрілкою/проти неї у положення ліворуч (відносно робочого положення інструмента), щоб розпочати обертання проти годинникової стрілки.

7.3 Увімкнення й вимкнення

Повільно натискаючи на вимикач, можна плавно змінювати частоту обертання від мінімальної до максимальної.

7.4 Загвинчування

ПОПЕРЕДЖЕННЯ

Переконайтеся, що гвинти та оброблюваний об'єкт розраховані на обертовий момент, який розвиває цей інструмент.

Перевищення обертового моменту може призвести до перевантаження, розтягування або пошкодження гвинтів та оброблюваного об'єкта, що у свою чергу може спричинити аварійні ситуації або травми.

За допомогою перемикача напряму обертання за годинниковою стрілкою/проти неї виберіть бажаний напрям обертання.

uk

7.5 Зчитування показань індикатора стану заряду літій-іонної акумуляторної батареї 8

ВКАЗІВКА

Під час роботи виконувати зчитування стану заряду батареї неможливо. Мигання світлодіодного індикатора 1 вказує на те, що акумуляторна батарея повністю розрядилася або ж що вона перегрілася (температура >80 °C). У такому випадку акумуляторну батарею необхідно вставити в зарядний пристрій з метою її заряджання. Мигання всіх 4 світлодіодних індикаторів вказує на те, що інструмент перенавантажений, або ж на його перегрівання.

Літій-іонна акумуляторна батарея має індикатор стану заряду. Під час заряджання стан заряду показує індикатор акумуляторної батареї (див. розділ «Стан заряду літій-іонних акумуляторних батарей»). У неробочому стані чотири світлодіодні індикатори показують стан заряду після утримування натиснутою протягом трьох секунд однієї з кнопок-фіксаторів акумуляторної батареї.

7.6 Поясний гачок 9

ОБЕРЕЖНО

uk

Перш ніж розпочинати роботу, перевірте, чи надійно закріплено поясний гачок.

За допомогою поясного гачка інструмент можна зручно носити на поясі. Додатково поясний гачок для користувача-лівші може бути перенесений на інший бік інструмента.

1. Зніміть акумуляторну батарею з інструмента.
2. Уставте кріпильну пластину в передбачену для цього напрямку.
3. Закріпіть поясний гачок двома гвинтами.

8 Догляд і технічне обслуговування

ОБЕРЕЖНО

Перш ніж розпочинати чищення, видаліть з інструмента акумуляторну батарею, щоб уникнути його непередбачуваного й небажаного вмикання!

8.1 Догляд за робочим інструментом

Для того, щоб видаляти накопичення бруду та захищати поверхню робочого інструмента від корозії, досить час від часу протирати їх ганчіркою, просякнутою мастилом.

8.2 Догляд за інструментом

ОБЕРЕЖНО

Утримуйте інструмент, зокрема, його рукоятки, сухим і чистим від бруду і мастил. Для чищення не користуйтеся засобами, що містять в собі силікон.

Зовнішній корпус інструмента виготовлений із ударотривкої пластмаси. Накладка на корпусі виготовлена з еластомерного матеріалу.

Не працюйте з інструментом, якщо в ньому позабивались вентиляційні прорізи! Обережно прочищайте вентиляційні прорізи сухою щіткою. Слідкуйте за тим, щоб всередину корпусу інструмента не потрапляли сторонні предмети. Регулярно очищуйте зовнішні поверхні інструмента вологою протиральною ганчіркою. Для видалення бруду заборонено застосовувати водяний розпилювач, парогенератор або ж струмінь води! Адже це може призвести до порушення електробезпеки інструмента.

8.3 Догляд за літій-іонними акумуляторними батареями

Уникайте потрапляння вологи всередину батареї.

Перед першим уведенням акумуляторної батареї в експлуатацію її необхідно повністю зарядити.

Для того, щоб максимально подовжити строк служби акумуляторної батареї, припиняйте її розряджати відразу ж після того як помітите, що потужність інструмента значно знизилася.

ВКАЗІВКА

При спробі подальшої експлуатації інструмента розряджання акумуляторної батареї припиняється автоматично, про що сигналізує миготіння світлодіода 1 на батареї — це дозволяє уникнути пошкодження її елементів.

Заряджайте акумуляторні батареї лише з допомогою зарядних пристроїв компанії Hilti, що допущені для заряджання літій-іонних акумуляторів.

ВКАЗІВКА

- Виконувати регенерацію акумуляторних батарей, як то прийнято щодо нікель-кадмієвих чи нікель-металогідридних батарей, немає потреби.
- При передчасному перериванні процесу заряджання строк служби акумуляторних батарей не скорочується.
- Процес заряджання може бути продовжений у будь-який час і це не призведе до скорочення строку служби акумуляторної батареї. Ефекту пам'яті, як у нікель-кадмієвих чи нікель-металогідридних батарей, не спостерігається.
- Зберігати акумуляторні батареї найкраще у повністю зарядженому стані в прохолодному сухому місці. Зберігати акумуляторні батареї при високих температурах довколишнього середовища (зокрема, за віконними шибамі) шкідливо, бо від цього скорочується строк їх служби та підвищується коефіцієнт саморозряду акумуляторних елементів.
- Якщо акумуляторну батарею більше не вдається повністю зарядити, це свідчить про втрату нею ємності з причини старіння або ж перевантажень під час роботи. Продовжувати працювати з цією акумуляторною батареєю можна, однак слід завчасно потурбуватися про її заміну новою батареєю.

uk

8.4 Технічне обслуговування

ПОПЕРЕДЖЕННЯ

До ремонту електричної частини інструмента залучайте лише фахівця-електрика.

Регулярно перевіряйте всі зовнішні деталі інструмента на відсутність пошкоджень та всі його органи керування на справну роботу. Ніколи не працюйте з інструментом, якщо в нього є видимі пошкодження або несправно функціонують органи керування. У випадку необхідності ремонту звертайтеся до сервісної служби компанії Hilti.

8.5 Контроль після виконання догляду й технічного обслуговування

Після проведення догляду й технічного обслуговування перевірте, чи було встановлено всі захисні пристрої та чи функціонують вони належним чином.

9 Пошук несправностей

Несправність	Можлива причина	Усунення
Інструмент не працює.	Акумуляторна батарея неповністю вставлена в інструмент або ж повністю розрядилася.	Акумуляторна батарея повинна зафіксуватися з відчутним подвійним клацанням або ж її необхідно зарядити.
	Електрична несправність.	Вийміть акумуляторну батарею з інструмента й зверніться до відділу сервісного обслуговування компанії Hilti.
Інструмент не працює і 1 світлодіод миготить.	Акумуляторна батарея розрядилася.	Замініть акумуляторну батарею свіжою, а зняту батарею поставте на заряджання.
	Акумуляторна батарея занадто гаряча або холодна.	Приведіть акумуляторну батарею до належної робочої температури.

Несправність	Можлива причина	Усунення
Інструмент не працює, і всі 4 світлодіоди мигають.	Короткочасне перевантаження інструмента.	Відпустіть вимикач, а потім знову натисніть його.
	Спрацював захист від перегрівання.	Дайте інструменту охолонути. Прочистіть вентиляційні прорізи.
Вимикач неможливо натиснути або ж він заблокований.	Перемикач напряму обертання за годинниковою стрілкою/проти неї знаходиться в середньому (транспортному) положенні	Переведіть перемикач напряму обертання за годинниковою стрілкою/проти неї ліворуч або праворуч.
Частота обертання несподівано швидко зменшується.	Акумуляторна батарея розрядилася.	Замініть акумуляторну батарею свіжою, а зняту батарею поставте на заряджання.
Акумуляторна батарея розряджається швидше, ніж звичайно.	Стан заряду акумуляторної батареї неоптимальний.	Здайте на діагностику до відділу сервісного обслуговування компанії Hilti або замініть акумуляторну батарею.
Акумуляторна батарея не зафіксується з чітким відчуттям «подвійним клацанням».	Фіксуючі виступи на акумуляторній батареї забруднилися.	Очистіть фіксуючі виступи від забруднень і зафіксуйте батарею в інструменті належним чином. Якщо несправність не вдалося усунути, зверніться до відділу сервісного обслуговування компанії Hilti.
Інструмент або його акумуляторна батарея сильно перегріваються.	Електрична несправність.	Негайно вимкніть інструмент, від'єднайте від нього акумуляторну батарею і зверніться до відділу сервісного обслуговування компанії Hilti.
	Інструмент перевантажено (перевищена межа застосування).	Правильно виберіть інструмент відповідно до планованого його застосування.

uk

10 Утилізація

ОБЕРЕЖНО

При неналежній утилізації устаткування можуть мати місце наступні небажані наслідки: При спалюванні пластмасових деталей виникають токсичні гази, що можуть призвести до захворювання людей. При пошкодженні або сильному нагріванні акумулятори можуть вибухнути, спричинивши при цьому отруєння, опіки, в тому числі хімічні, або й забруднення довколишнього середовища. При порушенні правил утилізації сторонні особи можуть несанкціоновано користуватися устаткуванням. Наслідком можуть стати тяжке травмування самих себе та сторонніх, а також забруднення довколишнього середовища.

ОБЕРЕЖНО

Акумулятори, що вийшли з ладу, негайно здавайте на утилізацію. Тримайте їх подалі від дітей. Забороняється розбирати акумулятори або спалювати їх.

ОБЕРЕЖНО

Здавайте використані акумуляторні батареї для утилізації згідно до чинних національних норм і приписів або повертайте їх у найближче представництво компанії Hilti.



Більшість матеріалів, з яких виготовлено інструменти компанії Hilti, придатні для вторинної переробки. Передумовою для їх вторинної переробки є належне розділення за матеріалами. У багатьох країнах компанія Hilti вже уклала угоди про повернення старих інструментів, що відслужили своє, для їх утилізації. Із цього приводу звертайтеся до відділу сервісного обслуговування або до свого торгівельного консультанта.



Тільки для країн-членів ЄС

Не викидайте електроінструмент у баки для побутового сміття!

Згідно з Директивою Європейського Союзу щодо утилізації старого електричного та електронного обладнання та з національним законодавством, електричні інструменти та акумуляторні батареї, термін служби яких закінчився, необхідно збирати окремо і утилізувати екологічно безпечним способом.

uk

11 Гарантійні зобов'язання виробника інструмента

Компанія Hilti гарантує щодо поставленого інструмента відсутність дефектів матеріалів та виробничого браку. Ця гарантія чинна тільки в разі дотримання наступних умов: експлуатація й обслуговування та чистка інструмента, а також догляд за ним проводяться згідно з наведеними у цій інструкції з експлуатації компанії Hilti вказівками, збережена технічна цілісність інструмента, тобто під час його експлуатації застосовуються виключно оригінальні витратні матеріали, приладдя й запасні частини виробництва компанії Hilti або рівноцінні їм.

Ця гарантія передбачає безплатний ремонт або безплатну заміну дефектних деталей протягом усього строку служби інструмента. Ця гарантія не розповсюджується на деталі, що потребують ремонту внаслідок їх природного зношування.

Ніякі додаткові претензії не розглядаються, за винятком випадків, передбачених місцевим законодавством. Зокрема, компанія Hilti не несе жодної відповідальності за прямі або посередні збитки, втрати або витрати у зв'язку з застосуванням або неможливістю застосування цього інструмента з тою чи іншою метою. Будь-які гарантії придатності виробу для виконання визначених робіт, що мають на увазі за умовчанням, не розглядаються.

Для ремонту або заміни інструмент або його дефектні деталі чи вузли повинні бути відправлені до найближчого представництва компанії Hilti відразу ж після виявлення несправності.

Ця гарантія охоплює всі гарантійні зобов'язання з боку компанії Hilti й замінює всі інші зобов'язання та письмові або усні домовленості, що стосуються гарантійного обслуговування.

12 Сертифікат відповідності ЄС (оригінал)

Назва:	Акумуляторний ударний гайковерт із зовнішнім чотиригранником
Позначення типу:	SIW 22T-A
Версія:	01
Рік випуску:	2013

Зі всією належною відповідальністю заявляємо, що цей виріб відповідає наступним директивам і стандартам: EN 60745-1, EN 60745-2-2, 2006/42/EG, 2004/108/EG, 2006/66/EG, 2011/65/EC, EN ISO 12100.



Paolo Luccini
Head of BA Quality and Process
Management
Business Area Electric Tools & Accessories 06/2013



Jan Doongaji
Executive Vice President

Business Unit Power Tools & Accessories 06/2013

Технічна документація:

Hilti Entwicklungsgesellschaft mbH
Zulassung Elektrowerkzeuge
Hiltistrasse 6
86916 Kaufering
Deutschland

ПАЙДАЛАНУ БОЙЫНША ТҮПНҰСҚА НҰСҚАУЛЫҚ

Сыртқы төрт қырлы кілті бар аккумуляторлық гайка бұрағыш SIW 22T-A

Жұмысты бастау алдында міндетті түрде пайдалану бойынша нұсқаулықты оқып шығыңыз.

Өрқашан осы пайдалану бойынша нұсқаулықты аспаптың жанында сақтаңыз.

Иесі ауысқанда міндетті түрде пайдалану бойынша нұсқаулықты аспаппен бірге беріңіз.

Мазмұны

1	Жалпы ақпарат	183
2	Сипаттамасы	184
3	Жабдықтар	186
4	Техникалық сипаттамалар	186
5	Қауіпсіздік техникасы бойынша нұсқаулар	187
6	Жұмысқа дайындық	192
7	Қызмет көрсету	193
8	Күту және техникалық қызмет көрсету	194
9	Ақаулықтарды жою	195
10	Утилизация	196
11	Өндіруші кепілі	197
12	ЕС нормаларына сәйкестік декларациясы (түпнұсқа)	197

kk

I Иллюстрациялар сандармен белгіленген. Мәтінге иллюстрациялар мұқабаның ішкі жақтарында орналастырылған. Аспаппен танысқан кезде, оларды көрнекілік үшін ашыңыз.

Осы пайдалану нұсқаулығының мәтінде «құрал» термині қосылатын аккумуляторлары бар SIW 22T-A шаршы басы бар аккумуляторлық гайка бұрағышты білдіреді.

Басқару бөлшектері және аспап құрамдастары **I**

- ① Қысу қысқысы
- ② Реттелетін негізгі сөндіргіш (айналу жиілігі электрондық түрде басқарылатын)
- ③ Қосуды бұғаттауы бар солға/оңға айнарудың ауыстырып қосқышы
- ④ Аккумулятор заряды деңгейінің көрсеткішін белсендірудің қосымша функциясы бар бұғаттау түймесі
- ⑤ Зауыттық кесте
- ⑥ Аккумулятордың зарядталу деңгейінің және ақаулықтардың индикаторы (литий-иондық аккумулятор)
- ⑦ Белдікке ілуге арналған ілгек (таңдау бойынша)

1 Жалпы ақпарат

1.1 Шартты белгілер және олардың мәні

ҚАУІПТІ

Ауыр жарақаттарға әкелуі немесе өмірге қауіп төндіруі мүмкін тікелей жағдайдың жалпы белгіленуі.

НАЗАР АУДАРЫҢЫЗ

Ауыр жарақаттарға әкелуі немесе өмірге қауіп төндіруі мүмкін ықтимал жағдайдың жалпы белгіленуі.

АБАЙЛАҢЫЗ

Жеңіл жарақаттарға немесе аспаптың зақымдалуына әкелуі мүмкін ықтимал қауіпті жағдайдың жалпы белгіленуі.

НҰСҚАУ

Аспапты пайдалану бойынша нұсқаулар және басқа пайдалы ақпарат.

1.2 Пиктограммалардың белгіленуі және басқа нұсқаулар

Ескертетін белгілер



Қауіпті!



Электр тогы соғуының қаупі



Агрессивті материалдармен жұмыс істеу кезіндегі сақтық шаралары

Ұйғарымдайтын белгілер



Қорғауыш көзілдірікті қолданыңыз



Қорғауыш касканы қолданыңыз



Қорғауыш құлақпапты қолданыңыз



Қорғауыш қолғаптарды қолданыңыз

kk



Жеңіл респираторды қолданыңыз

Таңбалар



Жұмыс бастау алдында міндетті түрде пайдалану бойынша нұсқаулықты оқып шығыңыз.



Қоқысты утилизациялау



Вольт



Тұрақты ток

n_0

Бос жүрістегі номиналды айналу жиілігі

/min

Минут ішіндегі айналымдар

Аспаптағы идентификациялық мәліметтердің орналасуы

Аспап түрі зауыттық кестеде, ал сериялық нөмір электр қозғалтқышы корпусының бүйірінде көрсетілген. Бұл мәліметтерді осы пайдалану бойынша нұсқаулыққа жазыңыз, олар аспапқа қызмет көрсеткенде және оны пайдалану бойынша консультация алғанда қажет.

Түрі:

Буын: 01

Сериялық нөмірі:

2 Сипаттамасы

2.1 Тағайындалуы бойынша пайдалану

SIW 22T-A құралы аккумулятордан жұмыс істейтін, сыртқы төрт қырлы кілті бар қол гайка бұрағышы болып табылады. Бұл гайка бұрағыш гайкаларды, болттарды, дюбельдерді және бұрандалы бекіткіштерді бұрауға жарайды.

Денсаулыққа қауіпті материалдарды (мысалы, асбестті) қолдануға тыйым салынады.

Сіздің еліңізде қабылданған қауіпсіздік техникасы ережелерін сақтаңыз.

Аккумуляторды осы нұсқаулықта көрсетілмеген басқа құрылғылармен бірге қолданбаңыз.

Аспаптың конструкциясына өзгертулер енгізуге және оны модификациялауға тыйым салынады.

Қызметкерлердің жарақат алуын және аспаптың зақымдалуын болдырмау үшін тек түпнұсқа Hilti компаниясы шығарған саймандарды және құралдарды қолданыңыз.

Құрал орындау кезінде айналу моментін дәл сақтау қажет емес жұмыстарға арналған. Айналу моментін дәл сақтау қажет немесе ең жоғары айналу моментінен асыруға тыйым салынатын жұмыстарды орындағанда құралды қолданғанда, бұрандалы бекіткішті немесе өңдеп жатқан бөлшекті шамадан тыс айналдыру және зақымдау қауіпі бар. Бұл жағдайларда дәл реттелетін айналу моменті бар құралды қолдану керек.

Осы пайдалану бойынша нұсқаулықта берілген аспапты пайдалану, күту және техникалық қызмет көрсету бойынша нұсқауларды орындаңыз.

Аспап кәсіби қолдануға арналған, сондықтан оған тек уәкілетті қызметкерлер қызмет көрсете және жөндей алады. Қызметкерлер қауіпсіздік техникасы бойынша арнайы нұсқау алуы керек. Аспапты басқа мақсатта қолдану және оны оқытылмаған қызметкерлердің пайдалануы қауіп тудырады.

Ықтимал аспапты қолдану салалары және түрлері: құрылыс алаңы, шеберхана, әр түрлі жөндеу жұмыстарын орындау.

2.2 Қысу қысқысы

жартылай сақинасы бар $\frac{1}{2}$ " сыртқы төрт қырлы аспап патроны
штифттық бұғаттауы бар $\frac{3}{4}$ " сыртқы төрт қырлы аспап патроны

kk

2.3 Сөндіргіш

Айналу жиілігі электрондық түрде басқарылатын реттелетін негізгі сөндіргіш

Қосуды бұғаттауы бар солға/оңға айналудың ауыстырып қосқышы

2.4 Чемодандағы жеткізу жинағына мыналар кіреді:

- 1 Аспап
- 1 Пайдалану бойынша нұсқаулық
- 1 Hilti чемоданы

2.5 Картон орауыштағы жеткізу жинағына мыналар кіреді:

- 1 Аспап
- 1 Пайдалану бойынша нұсқаулық

2.6 Аспап жұмыс істеуі үшін қосымша мыналар қажет

C436-90 немесе C436-350 немесе C 4/36 немесе C 4/36-ACS немесе C 4/36-ACS TPS зарядтағыш құрылғысы бар B 22/2.6 Li-Ion немесе B 22/3.3 Li-Ion аккумуляторы.

2.7 Литий-иондық аккумулятордың зарядталу және қызып кету деңгейі

Жарық диоды үздіксіз жанады	Жарық диоды жыпылықтайды	С батарея күйінің жарық диоды
1, 2, 3, 4 жарық диоды	-	$C \geq 75 \%$
1, 2, 3 жарық диоды	-	$50 \% \leq C < 75 \%$
1, 2 жарық диоды	-	$25 \% \leq C < 50 \%$
1 жарық диоды	-	$10 \% \leq C < 25 \%$
-	1 жарық диоды	$C < 10 \%$
-	1 жарық диоды	Аккумулятордың қызып кетуі

2.8 Аспапқа шамадан тыс жүктеме түсуінің және қызып кетуінің индикаторы

Аспап шамадан тыс жүктемелерден және қызып кетуден электрондық қорғаумен жабдықталған. Шамадан тыс жүктеме түскен немесе қызып кеткен жағдайда аспап автоматты түрде өшеді. Негізгі сөндіргішті жіберіп, қайтадан басса, қайтадан қосылу күту уақыты аяқталғаннан (аспаптың суу кезеңі) кейін орындала алады.

Жарық диоды үздіксіз жанады	Жарық диоды жыпықтайды	Аспаптың күйі
-	1, 2, 3, 4 жарық диоды	Аспап қызып кетті немесе оған шамадан тыс жүктеме түскен

3 Жабдықтар

Сипаттама	Қысқаша белгіленуі
Бүйірлік кілттерге арналған қондырмалар жиыны	S-NSD және SV
Литий-иондық аккумуляторға арналған зарядтағыш құрылғы	C 4/36
Литий-иондық аккумуляторға арналған зарядтағыш құрылғы	C 4/36-ACS
Литий-иондық аккумуляторға арналған зарядтағыш құрылғы	C 4/36-ACS TPS
Литий-иондық аккумуляторға арналған зарядтағыш құрылғы	C 4/36-90
Литий-иондық аккумуляторға арналған зарядтағыш құрылғы	C 4/36-350
Аккумулятор	B 22/3.3 Li-Ion
Аккумулятор	B 22/2.6 литий-иондық
Аккумулятор	B 22/1.6 литий-иондық
Белдікке ілуге арналған ілгек	

kk

4 Техникалық сипаттамалар

Өндіруші техникалық өзгертулерді енгізу құқығын өзіне қалдырады!

Аспап	SIW 22T-A ½"	SIW 22T-A ¾"
Номиналды кернеу (тұрақты ток)	21,6 В	21,6 В
ЕРТА 01/2003 әдісіне сай салмағы	3 кг	3,2 кг
Габариттік өлшемдер (Ұ x Е x Б)	232 мм x 94 мм x 258 мм	251 мм x 94 мм x 258 мм
Бос жүрістегі айналу жиілігі	0...2000/min	0...2000/min
Соққылар жиілігі	Макс. 2500/min	Макс. 2500/min
Айналу моменті	450 Нм	450 Нм
Стандартты бұранда	M12 - M24	M12 - M24
Төзімділігі жоғары бұранда	M8 - M16	M8 - M16
Қысу қысқысы	Жартылай сақинасы бар ½" сыртқы төрт қырлы кілт	Бұғаттайтын штифты бар ¾" сыртқы төрт қырлы кілт
Айналу жиілігін реттеу	электрондық, негізгі сөндіргіш көмегімен	электрондық, негізгі сөндіргіш көмегімен
Айналу бағытын өзгерту	Жұмыс кезінде айырып-қосқыш бұғатталуының ауытқуы	Жұмыс кезінде айырып-қосқыш бұғатталуының ауытқуы
Шамадан тыс разрядталудан қорғау	Иә	Иә

НҰСҚАУ

Шу туралы мәліметтер (EN 60745-1 бойынша өлшеулер):

Аспап	SIW 22T-A 1/2"	SIW 22T-A 3/4"
А санаты бойынша өшенген әдеттегі шу деңгейі	108 дБ (А)	111 дБ (А)
А-түзетілген дыбыстық қысым деңгейінің мәні	97 дБ (А)	100 дБ (А)
Жоғарыда берілген шу деңгейлері көрсеткіштерінің дәлсіздігі	3 дБ (А)	3 дБ (А)

НҰСҚАУ

Нұсқаулықта көрсетілген вибрация деңгейі EN 60745 стандартына сай өлшеу әдісінің көмегімен анықталған және оны басқа электр аспаптарымен салыстырғанда пайдалануға болады. Сонымен бірге, ол вибрациялық жүктемені алдын ала бағалау үшін жарайды. Көрсетілген вибрация деңгейі іс жүзінде электр құралын пайдалану салаларына сай келеді. Алайда егер электр құралы басқа мақсаттарда, басқа жұмыс аспаптарымен қолданылса немесе оған қанағаттандырмайтын техникалық қызмет көрсетілсе, вибрация деңгейі басқа болуы мүмкін. Осының салдарынан аспаптың бүкіл жұмыс істеу кезеңінде вибрациялық жүктеме айтарлықтай артуы мүмкін. Вибрациялық жүктемені дәл анықтау үшін аспап сөндірілген күйде немесе бос жұмыс істейтін уақыт аралықтарын да ескеру керек. Осының салдарынан аспаптың бүкіл жұмыс істеу кезеңінде вибрациялық жүктеме айтарлықтай төмендеуі мүмкін. Операторды пайда болатын вибрациядан қорғау үшін қосымша сақтық шараларын қолданыңыз: электр құралға және жұмыс аспаптарына техникалық қызмет көрсету, қолдардың жылуын сақтау, жұмыс процестерін дұрыс реттеу.

kk

EN 60745 стандартына сай қосымша ақпарат

Үш ось бойынша вибрация мәндері (векторлық қосынды)	EN 60745-2-2 мынаған сай өлшеу
1/2" құрал үшін өлшемі ең жоғары бекіту элементтерін бұрау, a_n	14,5 м/с ²
3/4" құрал үшін өлшемі ең жоғары бекіту элементтерін бұрау, a_n	14,2 м/с ²
Дәлсіздік (К)	1,5 м/с ²

Акумулятор	B 22/3.3 Li-Ion	B 22/2.6 Li-Ion	B 22/1.6 Li-Ion
Номиналды кернеу	21,6 В	21,6 В	21,6 В
Акумулятордың сыйымдылығы	3,3 Асағ	2,6 Асағ	1,6 Асағ
Салмағы	0,78 кг	0,78 кг	0,48 кг
Зарядтау кезінде температураны бақылау	Иә	Иә	Иә
Зарядтау кезінде температураны бақылау	Иә	Иә	Иә
Ұяшықтардың түрі	Литий-иондық	Литий-иондық	Литий-иондық
Ұяшықтар блогы	12 дана	12 дана	6 дана
Сыйымдылығы	71,28 Вт/сағ	56,16 Вт/сағ	34,56 Вт/сағ

5 Қауіпсіздік техникасы бойынша нұсқаулар

НҰСҚАУ

Келесі тарауда берілген қауіпсіздік техникасы бойынша нұсқаулар осы пайдалану бойынша нұсқаулықта қабылданған нормаларға сай келтірілетін электр құралдарын пайдалану

кезіндегі жалпы қауіпсіздік шараларының барлығын қамтиды. Осыған байланысты осы аспапқа қатысты емес ережелер бар болуы мүмкін.

5.1 Электр аспабы үшін қауіпсіздік бойынша жалпы мәліметтер

a) НАЗАР АУДАРЫҢЫЗ

Сақтық шаралары бойынша барлық нұсқауларды және нұсқауларды оқып шығыңыз. Төменде берілген нұсқауларды орындамау электр тогының соғуына, өртке әкелуі мүмкін және/немесе ауыр жарақаттарды тудыруы мүмкін. **Қауіпсіздік техникасы бойынша барлық нұсқауларды және нұсқауларды келесі пайдаланушы үшін сақтаңыз.** Бұдан әрі қолданылатын «электр құрал» термині электр желісінен (желілік кабельмен) және аккумулятордан (желілік кабельсіз) жұмыс істейтін электр құралға қатысты.

5.1.1 Жұмыс орны

- kk
- a) **Жұмыс орнындағы тазалықты және тәртіпті қадағалаңыз.** Жұмыс орнындағы ретсіздік және нашар жарық сәтсіз жағдайларға әкелуі мүмкін.
 - b) **Жанғыш сұйықтықтар, газдар немесе шаң бар жарылыс қаупі бар аймақта электр құралды қолданбаңыз.** Жұмыс істегенде электр құралдан ұшқындар шығады және ұшқындар шаңды немесе буларды тұтандыруы мүмкін.
 - c) **Балалардың және бөгде адамдардың жұмыс істеп тұрған электр құралға жақындауына рұқсат етпеңіз.** Жұмысқа көңіл бөлмегенде, электр құралын бақылау жоғалуы мүмкін.

5.1.2 Электр қауіпсіздігі

- a) **Электр құралдың біріктіруші айыры электр желісінің розеткасына сай болуы керек.** Айырдың конструкциясын өзгертпеңіз. Қорғауыш жерге қосуы бар электр аспаптарымен бірге өтпелі айырларды қолданбаңыз. Түпнұсқа айырлар және оларға сай розеткалар электр тогының соғу қаупін азайтады.
- b) **Жерге қосылған беттерге, мысалы, құбырларға, жылыту құралдарына, пештерге (плиталарға) және тоңазытқыштарға, тікелей тиюді болдырмаңыз.** Жерге қосылған заттарға тигенде электр тогының соғуының үлкен қаупі туындайды.
- c) **Электр құралдарды жаңбырдан немесе ылғал әсерінен сақтаңыз.** Электр құралға су тиюі нәтижесінде электр тогының соғу қаупі артады.
- d) **Кабельді басқа мақсатта қолданбаңыз, мысалы, электр құралды тасымалдау, оны іліп қою немесе электр желісінің розеткасынан айырды шығару үшін.** Кабельді жоғары температуралардың, майдың, үшкір жиектердің немесе электр құралдың айналатын түйіндерінің әсерлерінен қорғаңыз. Кабельдің зақымдалуы немесе қабаттасуы нәтижесінде электр тогының соғу қаупі артады.
- e) **Егер жұмыстар ашық ауада орындалса, тек бөлмелерден тыс қолдануға рұқсат етілген ұзартқыш кабельдерді пайдаланыңыз.** Бөлмелерден тыс қолдануға жарамды ұзартқыш кабельді пайдалану электр тогының соғу қаупін азайтады.
- f) **Егер электр құралмен ылғалдылық жағдайларында жұмыс істеуді болдырмау мүмкін емес болса, шығып кететін токтан қорғау автоматын қолданыңыз.** Шығып кететін токтан қорғау автоматын қолдану электр тогының соғу қаупін азайтады.

5.1.3 Адамдардың қауіпсіздігі

- a) **Ұқыпты болыңыз, әрекеттеріңізге көңіл бөліңіз және электр құралмен жұмыс істеуге дұрыс қараңыз.** Шаршасаңыз немесе есірткілер, алкоголь немесе дәрі-дәрмек әсерінің астында болсаңыз, электр құралды пайдаланбаңыз. Электр құралмен ұқыпсыз жұмыс істегендегі мардымсыз қате ауыр жарақаттанудың себебі болуы мүмкін.
- b) **Жеке қорғану құралдарын пайдаланыңыз және әрқашан міндетті түрде қорғауыш көзілдірікті киіңіз.** Электр құралының түріне және пайдалану

жағдайларына байланысты жеке қорғану құралдарын, мысалы, респираторды, ұлтаны сырғымайтын аяқ киімді, қорғауыш касканы немесе қорғауыш құлаққапты қолдану жарақаттану қаупін азайтады.

- c) **Электр құралының кездейсоқ қосылуын болдырмаңыз.** Электр қуатына қосу және/немесе аккумуляторды қою, көтеру немесе тасымалдау алдында электр құрал өшірілгеніне көз жеткізіңіз. Электр құралды тасымалдағанда саусақтар сөндіргіште болатын немесе қосылған электр құрал желіге қосылатын жағдайлар сәтсіз жағдайларға әкелуі мүмкін.
- d) **Электр құралды қосу алдында реттеуші құрылғыларды және гайка кілтін алыңыз.** Электр құралдың айналатын бөлігіндегі аспап немесе кілт жарақаттарға әкелуі мүмкін.
- e) **Жұмыс кезінде ыңғайсыз қалыптарға тұрмауға тырысыңыз.** Үнемі тұрақты күйді және тепе-теңдікті сақтаңыз. Бұл күтпеген жағдайларда электр құралды жақсырақ басқаруға мүмкіндік береді.
- f) **Арнайы киімді киіңіз.** Өте бос киімді немесе әшекейлерді кимеңіз. Шашты, киімді және қолғапты электр құралдың айналатын түйіндерінен сақтаңыз. Бос киім, әшекейлер және ұзын шаш оларға ілінуі мүмкін.
- g) **Егер шаңды жинау және кетіруге арналған құрылғыларды қосу қарастырылған болса, олар қосылғанына және мақсаты бойынша қолданылып жатқанына көз жеткізіңіз.** Шаңды кетіру модулін пайдалану шаңның зиянды әсерін азайтады.

kk

5.1.4 Электр құралды қолдану және оған қызмет көрсету

- a) **Электр құралға шамадан тыс жүктеме түсуін болдырмаңыз.** Дәл осы жұмысқа арналған электр құралды қолданыңыз. Бұл ережені сақтау көрсетілген қуат диапазонында жоғарырақ жұмыс сапасын және қауіпсіздігін қамтамасыз етеді.
- b) **Сөндіргіші бұзылған электр құралын қолданбаңыз.** Қосу немесе өшіру қиын электр құрал қауіпті және оны жөндеу керек.
- c) **Электр құралды реттеуге, саймандарды ауыстыруға кірісу алдында немесе жұмыстағы үзіліс алдында розеткадан айырды және/немесе электр құралдан аккумуляторды шығарыңыз.** Бұл сақтық шарасы электр құралдың кездейсоқ қосылуын болдырмайды.
- d) **Қолданылмайтын электр құралдарды балалар жетпейтін жерлерде сақтаңыз.** Электр құралды оны пайдалана алмайтын немесе осы нұсқауларды оқып шықпаған тұлғаларға бермеңіз. Электр құралдар тәжірибесі жоқ пайдаланушылардың қолында қауіпті болады.
- e) **Электр құралдарына ұқыпты қараңыз.** Айналым бөліктердің мүлтіксіз қызмет ететінін, олардың жүрісінің жеңілдігін, барлық бөліктердің тұтастығын және электр құралдың жұмысына теріс әсер етуі мүмкін зақымдардың жоқтығын тексеріңіз. Аспаптың зақымдалған бөліктерін оны қолдану алдында жөндеуге өткізіңіз. Көп сәтсіз жағдайлардың себебі болып электр құралдарына техникалық қызмет көрсету ережелерін сақтамау табылады.
- f) **Кескіш аспаптардың үшкір және таза болуын қадағалау керек.** Жұмыс күйінде сақталатын кескіш аспаптардың сыналануы сиректеу болады, оларды басқару жеңілдеу.
- g) **Электр құралды, саймандарды, көмекші құрылғыларды және т.б. нұсқауларға сай пайдаланыңыз.** Бұл кезде жұмыс жағдайларын және орындалатын жұмыстың сипатын ескеріңіз. Электр құралдарды басқа мақсаттарда қолдану қауіпті жағдайларға әкелуі мүмкін.

5.1.5 Аккумуляторлық аспапты пайдалану және оған қарау

- a) **Аккумуляторды тек өндіруші ұсынған зарядтағыш құрылғылардың көмегімен зарядтаңыз.** Зарядтағыш құрылғыны тиісті емес аккумулятор түрлерін зарядтау үшін қолданғанда өрт туындауы мүмкін.
- b) **Аспаппен жұмыс істеу үшін тек тиісті аккумуляторларды қолданыңыз.** Басқа аккумуляторларды пайдалану жарақаттарға әкелуі және өрт тудыруы мүмкін.

- c) Пайдаланылмайтын аккумуляторларды контакттардың тұйықталуының себебі болуы мүмкін скрепкалардан, тиындардан, кілттерден, инелерден, винттерден және басқа металл заттардан ары сақтаңыз. Аккумулятор контакттарының тұйықталуы күйіктерге немесе тұтануға әкелуі мүмкін.
- d) Аккумулятормен тиісті емес түрде жұмыс істегенде одан электролит ағып шығуы мүмкін. Оған тиюді болдырмаңыз. Кездейсоқ тигенде электролитті сумен шайыңыз. Электролит көзге тигенде дәрігер көмегіне жүгініңіз. Аккумулятордан ағып шыққан электролит тері тітіркенуін немесе күйіктерді тудыруы мүмкін.

5.1.6 Қызмет

- a) Электр құралды жөндеуді тек түпнұсқа қосалқы бөлшектерді қолданатын білікті қызметкерлерге сеніп тапсырыңыз. Бұл электр құралды қауіпсіз күйде сақтауды қамтамасыз етеді.

5.2 Қауіпсіздік техникасы бойынша қосымша ережелер

5.2.1 Адамдардың қауіпсіздігі

kk

- a) Бұранда/винт жасырын электр сымдарын зақымдауы мүмкін жұмыстарды жүргізгенде электр аспабын тұтқалардың изоляцияланған беттерінен ұстаңыз. Винт/бұранда кернеу астындағы электр сымдарына тиген жағдайда аспаптың металл бөліктері электр тогының өткізгіштеріне айналып, электр тогының соғуына әкелуі мүмкін.
- b) Қорғауыш құлаққапты киіңіз. Шу әсерінің нәтижесінде есту қабілеті жоғалуы мүмкін.
- c) Егер аспап шаңды кетіру құралдарынсыз қолданылса, шаң пайда болатын жұмыстарда қорғану құралдарын қолданыңыз.
- d) Жұмыс уақытында қолдар терлемеуі үшін саусақтарды босату және жаттықтыру үшін үзілістер жасаңыз.
- e) Аспаптың айналатын бөлшектеріне тимеңіз. Аспапты тек жұмыс аймағына әкелгеннен кейін ғана қосыңыз. Айналатын түйіндерге, әсіресе айналатын қондырмаларға тию жарақаттарға әкелуі мүмкін.
- f) Аспапты сақтау және тасымалдау кезінде қосуды бұғаттауды белсендіріңіз (сол/оң айналу ауыстырып қосқышы ортаңғы күйге орнатылған).
- g) Балалар оларға аспаппен ойнауға тыйым салынғаны туралы білуі керек.
- h) Аспап тиісті нұсқау алусыз балалардың немесе денесі әлсіреген тұлғалардың пайдалануына арналмаған.
- i) Құрамында қорғасын бар материалдарды, ағаштың кейбір түрлерін, минералдарды және металлдарды өңдеу кезінде пайда болатын шаң денсаулыққа қауіп тудыруы мүмкін. Мұндай шаңның бөлшектерімен дем алу немесе оған тию аллергиялық реакциялардың және/немесе дем алу жолдары ауруларының пайда болуына әкелуі мүмкін. Кейбір шаң түрлері (мысалы, еменді немесе шамшатты өңдеу кезінде пайда болатын шаң) канцерогенді деп есептеледі, әсіресе ағашты өңдеу үшін қолданылатын қосымша материалдармен (хром қышқылының тұзы, ағашты қорғау заттары) тіркесімде. Құрамында асбест бар материалдарды өңдеуді тек мамандар орындауы керек. Мүмкін болса жарамды шаңсорғыш аппаратты қолданыңыз. Шаңды оптималды кетіру үшін бұл электр құралды Hilti компаниясы ағаш үгінділерін және/немесе минералдық шаңды тазалау үшін ұсынылған тиісті тасымалданатын шаңсорғышпен тіркесімде қолданыңыз. Жұмыс аймағының жақсы желдетілуін қамтамасыз етіңіз. P2 класты сүзгісі бар респираторды кию ұсынылады. Материалдарды өңдеу бойынша күшіндегі ұлттық нұсқауларды орындаңыз.

5.2.2 Электр аспабымен дұрыс жұмыс істеу және оны дұрыс пайдалану

- a) Затты берік бекітіңіз. Затты бекіту үшін струбциналарды немесе қыспақтарды қолданыңыз. Бұл оны қолмен ұстап тұрудан сенімдірек және бұл кезде аспапты екі қолмен ұстауға болады.
- b) Аспапта қысқыға сай соңдары бар екеніне және қысқыда берік бекітілетініне көз жеткізіңіз.

- c) Бұрандалы бекіткіштер мен өңделетін бөлшек құрал тудыратын айналу моментіне сай екеніне көз жеткізіңіз. Айналу моменті тым жоғары болғанда, бұрандалы бекіткіштерге немесе өңделетін бөлшекке шамадан тыс жүктеме түсуі, созылуы немесе зақымдалуы мүмкін, осының салдарынан, қауіпті жағдайлар немесе жарақаттану пайда болуы мүмкін.

5.2.3 Электр аспабымен дұрыс жұмыс істеу және оны дұрыс пайдалану

- a) Аккумуляторларды от және жоғары температура көздерінен алыста сақтаңыз. Жарылыс қаупі бар.
- b) Аккумуляторларды бөлшектеуге, қысуға, 80°C-тан жоғары температураға дейін қыздыруға немесе аккумуляторларды жағуға тыйым салынады. Өрт, жарылыс немесе күйік қаупі бар.
- c) Тиісті аспаппен бірге пайдалануға рұқсат етілгеннен басқа ешбір аккумуляторларды пайдаланбаңыз. Басқа аккумуляторларды пайдаланғанда немесе аккумуляторларды басқа мақсаттарда пайдаланған жағдайда жарылыс қаупі болады.
- d) Литий-иондық аккумуляторларды тасымалдау, сақтау және пайдалану бойынша арнайы директивалардың талаптарын орындаңыз.
- e) Зақымдалған аккумуляторларды (мысалы, сызаттары бар, бөліктері сынған, контакттары бүгілген және/немесе созылған аккумуляторларды) зарядтауға және қайта қолдануға тыйым салынады.
- f) Егер тиген кезде аккумулятор тым ыстық болса, оның ақаулығы болуы мүмкін. Құрылғыны тұтану қаупі жоқ орынға, тұтанғыш материалдардан алыс, оны бақылауға болатындай қойыңыз және оны суға қалдырыңыз. Аккумулятор суығанда Hilti сервистік қызметіне барыңыз.

kk

5.2.4 Электр қауіпсіздігі



Жұмысты бастау алдында жұмыс орнында жасырын электр сымдарының, газ және су жүргізу құбырларының бар-жоғын тексеріңіз, мысалы, металл іздегіш көмегімен. Электр сымдарына кездейсоқ тиіп кетсе, аспаптың ашық металл бөліктері электр тогының өткізгіштеріне айналуы мүмкін. Бұл кезде электр тогының соғу қаупі пайда болады.

5.2.5 Жұмыс орны

- a) Жұмыстарды өткізу орнына жақсы жарық түсіруді қамтамасыз етіңіз.
- b) Жұмыс аймағының жақсы желдетілуін қамтамасыз етіңіз. Нашар желдетілетін жұмыс аймағы шаңның жоғары жиналуына байланысты көңіл-күй нашарлауына себеп болуы мүмкін.

5.2.6 Жеке қорғану құралдары



Аспаппен жұмыс істегенде жұмыс істейтін адам және оның жанындағы тұлғалар тиісті қорғауыш көзілдірікті, қорғауыш шлемді, қорғауыш құлаққапты, қорғауыш қолғаптарды және жеңіл респираторды киюі керек.



6.1 Аккумуляторға ұқыпты қарау

НҰСҚАУ

Төмен температурада аккумулятордың қуаттылығы төмендейді. Аккумуляторды аспап толығымен тоқтағанша разрядтамаңыз. Разрядталған аккумуляторды уақтылы басқасына ауыстырыңыз. Аккумуляторды дереу зарядтаңыз, кейіннен ауыстырыңыз.

Аккумуляторды салқын және құрғақ жерде сақтаңыз. Аккумуляторды күн көзінде, жылыту құралдарында немесе терезе сыртында сақтауға тыйым салынады. Қызмет көрсету мерзімі аяқталғанда аккумуляторды қоршаған ортаға және адам денсаулығына зиян келтірмейтіндей тастау керек.

6.2 Аккумуляторды зарядтау

kk



АБАЙЛАҢЫЗ

Тек құралға жарайтын Hilti аккумуляторларын қолданыңыз.

6.2.1 Жаңа аккумуляторды бірінші рет зарядтау

Бірінші рет іске қосу алдында аккумуляторды толығымен зарядтаңыз.

6.2.2 Бұрын пайдаланылған аккумуляторды зарядтау

Аккумуляторды тиісті зарядтағыш құрылғыға зарядталуға қою алдында аккумулятордың сыртқы беті таза және құрғақ екенін тексеріңіз.

Зарядтағыш құрылғыны пайдалану бойынша нұсқаулықта аккумуляторды зарядтау бойынша нұсқауларды оқыңыз.

Литий-иондық аккумуляторлар пайдалануға кез келген уақытта дайын болады, тіпті жарым-жартылай зарядталған күйде де. Зарядтау барысы жарық диодтарының көмегімен көрсетіледі (Зарядтағыш құрылғыны пайдалану бойынша нұсқаулықты қараңыз).

6.3 Аккумуляторды орнату

АБАЙЛАҢЫЗ

Аккумуляторды орнату алдында аспаптың өшірілгеніне және қосуды бұғаттау белсендірілгеніне (оңға/солға айналу ауыстырып қосқышы ортаңғы күйде) көз жеткізіңіз. Тек сіздің аспабыңыз үшін рұқсат етілген түпнұсқа Hilti аккумуляторын қолданыңыз.

АБАЙЛАҢЫЗ

Аккумуляторды аспапқа салудан бұрын аккумулятордың байланыстары мен аспаптың байланыстары басқа заттардың әсеріне ұшырамайтынына көз жеткізіңіз.

1. Аккумуляторды аспапқа өзіне тән қос шырт еткен дыбыспен бекітілетіндей салыңыз.
2. **АБАЙЛАҢЫЗ Жұмыс уақытында аспаптан түсіп қалса, аккумулятор дұрыс орнатылмаған.**

АБАЙЛАҢЫЗ Аккумулятордың құлауы Сіз және басқа тұлғалар үшін қауыпты жағдайға әкелуі мүмкін.

Жұмысты бастау алдында аккумулятор аспапқа берік отырғызылғанын тексеріңіз.

6.4 Аккумуляторды алу 2

1. Деблокиратор-түймелердің екеуін де басыңыз.
2. Аккумуляторды аспаптан артқа қарай шығарыңыз.

6.5 Аккумуляторды тасымалдау және сақтау

Аккумуляторды бұғаттау күйінен (жұмыс күйі) бірінші күйге (тасымалдауға арналған күй) шығарыңыз.

Егер аккумуляторды аспаптан одан әрі аспапты тасымалдау немесе сақтау үшін алсаңыз, аккумулятор контактірін қысқа тұйықталудан қорғаңыз. Чемоданнан, аспаптар жәшігінен

немесе тасымалдау контейнерінен бос металл заттарды алып тастаңыз, мысалы: винттер, шегелер, скобалар, биталар, сым бөліктері немесе металл жоңқалары – және бұл заттардың аккумуляторға тиюін болдырмаңыз.

Аккумуляторларды жібергенде (көлік, темір жол, теңіз немесе әуе транспортымен) күшіне енген халықаралық тасымалдау ережелерін сақтау керек.

7 Қызмет көрсету



7.1 Аспапты ауыстыру

НҰСҚАУ

Құрылғы аспапты қысу үшін жартылай сақинасы бар 1/2" сыртқы төрт қырлы аспап патронымен немесе штифттық бұғаттауы бар 3/4" сыртқы төрт қырлы аспап патронымен жабдықталған.

7.1.1 Аспапты алмастыру жартылай сақинасы бар 1/2" сыртқы төрт қырлы кілтпен

kk

НҰСҚАУ

Қысу қысқысындағы жартылай сақина бар қысу төлкесіндегі бүйірлік тесікті туралаңыз, әйтпесе құрал бекітілмейді.

7.1.1.1 Қысу төлкесін орнату (құрал) 3

1. Оңға/солға айналу ауыстырып қосқышын ортаңғы күйге өткізіңіз немесе аккумуляторды аспаптан ажыратыңыз.
2. Қысу қысқысында жартылай сақина бар қысу төлкесінде бүйірлік тесікті туралаңыз.
3. Төлкеге қысу қысқысында бекітілгенше басыңыз.

7.1.1.2 Қысут өлкесін демонтаждау (құрал) 4

1. Оңға/солға айналу ауыстырып қосқышын ортаңғы күйге өткізіңіз немесе аккумуляторды аспаптан ажыратыңыз.
2. Қысқыдан қысу төлкесін алыңыз.

7.1.2 Аспапты алмастыру штифттық бұғаттауы бар 3/4" сыртқы төрт қырлы кілтпен

7.1.2.1 Қысу төлкесін орнату (құрал) 5

1. Оңға/солға айналу ауыстырып қосқышын ортаңғы күйге өткізіңіз немесе аккумуляторды аспаптан ажыратыңыз.
2. Қысу төлкесінің ойығынан тығыздауыш шеңберді алып тастаңыз.
3. Бекіткіш штифтті шығарыңыз.
4. Қысу төлкесін құрылғының қозғалтқыш төртжағына салыңыз.

НҰСҚАУ Қозғалтқыш төртжағы мен қысу төлкесінің бекіткіш штифтінің патронындағы тесіктері бір-біріне сәй болуы керек.

5. Қысу төлкесіне бекіту үшін алдымен бекіткіш штифтті сосын тығыздауыш шеңберін қайта салыңыз.

7.1.2.2 Қысут өлкесін демонтаждау (құрал) 6

1. Оңға/солға айналу ауыстырып қосқышын ортаңғы күйге өткізіңіз немесе аккумуляторды аспаптан ажыратыңыз.
2. Қысу төлкесінің ойығынан тығыздауыш шеңберді алып тастаңыз.
3. Бекіткіш штифтті шығарыңыз.
4. Қысу төлкесін құрылғының қозғалтқыш төртжағынан шығарыңыз.
5. Қысу төлкесіне бекіту үшін алдымен бекіткіш штифтті сосын тығыздауыш шеңберін қайта салыңыз.

7.2 Оңға/солға айналуы орнату 7

НҰСҚАУ

Оңға/солға айналу ауыстырып қосқышының көмегімен аспап шпинделінің айналу бағытын таңдауға болады. Бұғаттау электр қозғалтқышы жұмыс істеп тұрғанда бағытты ауыстырудан қорғайды. Ауыстырып қосқыш ортаңғы күйде болғанда, негізгі сөндіргіш бұғатталған болады. Айырып-қосқышты оңға

жылжыту (құралдың жұмыс жүрісі бағыты бойынша) = оңға айналдыру. Айырып-қосқышты солға жылжыту (құралдың жұмыс жүрісі бағыты бойынша) = солға айналдыру.

7.3 Қосу/сөндіру

Іске қосу сөндіргішін баяу басу көмегімен айналу жиілігін ең аздан ең көп айналымдар санына дейін біркелкі реттеуге болады.

7.4 Бұрандалы бекіткіштер

НАЗАР АУДАРЫҢЫЗ

Бұрандалы бекіткіштер мен өңделетін бөлшек құрал тудыратын айналу моментіне сай екеніне көз жеткізіңіз. Айналу моменті тым жоғары болғанда, бұрандалы бекіткіштерге немесе өңделетін бөлшекке шамадан тыс жүктеме түсуі, созылуы немесе зақымдалуы мүмкін, осының салдарынан, қауіпті жағдайлар немесе жарақаттану пайда болуы мүмкін.

Оңға/солға айналу ауыстырып қосқышының көмегімен қажетті бағытты таңдаңыз.

kk 7.5 Литий-иондық аккумулятордың зарядталу индикаторының көрсеткіштерін тексеру 8

НҰСҚАУ

Жұмыс кезінде зарядталу деңгейі индикациясын шақыру мүмкін емес. № 1 жарық диоды аккумулятор толығымен разрядталған немесе қызып кеткен (температура >80°C) жағдайда жыпықтайды. Мұндай жағдайда аккумуляторды зарядтағыш құрылғыға қосу керек. № 4 жыпықтайтын жарық диоды аспапқа шамадан тыс жүктеме түскенін немесе оның қызып кеткенін білдіреді.

Литий-иондық аккумулятор зарядталу деңгейі индикаторымен жабдықталған. Бұл индикаторда зарядтау процесі кезіндегі деңгей көрсетіледі («Lilon аккумуляторының зарядтау деңгейі» тарауын қараңыз). Жұмыс істемейтін жағдайда зарядтау деңгейін көрсету аккумуляторда орналасқан бұғаттау түймелерінің біреуін үш секунд басқаннан кейін жанатын төрт жарық диодтарының көмегімен орындалады.

7.6 Белдікке ілуге арналған ілгек 9

АБАЙЛАҢЫЗ

Жұмысты бастау алдында белдік ілгегі берік бекітілгенін тексеріңіз.

Ілгек аспапты белдікке ілуге мүмкіндік береді. Егер пайдаланушы солақай болса, белдікке ілуге арналған ілгекті құрылғының басқа шетінде орнатуға болады.

1. Аккумуляторды аспаптан ажыратыңыз.
2. Монтаждық пластинаны осы мақсатқа арналған тесікке салыңыз.
3. Белдікке ілуге арналған ілгекті екі винтпен бекітіңіз.

8 Күту және техникалық қызмет көрсету

АБАЙЛАҢЫЗ

Аспапты тазалауды бастау алдында кездейсоқ қосылуды болдырмау үшін аккумуляторды алыңыз!

8.1 Аспапты күту

Аспапты ластанулардан тазалаңыз және аспаптардың бетін коррозиядан қорғаңыз. Бұл үшін тиісті жерлерді майға малынған матамен сүртіп шығу керек.

8.2 Аспапты күту

АБАЙЛАҢЫЗ

Аспапты, әсіресе тұтқыштың беттерін, таза және құрғақ күйде, май мен майлайтын майдың іздерінсіз сақтаңыз. Құрамында силикон бар тазалағыш заттарды қолдануға тыйым салынады.

Аспаптың сыртқы корпусы соққыға төзімді пластмассадан жасалған. Корпустағы қаптама эластомерден жасалған.

Жұмыс істегенде корпус қақпағындағы ойықтарды жаппаңыз! Желдету ойығын құрғақ щеткамен тазалаңыз. Аспап корпусының ішіне бөгде заттар түспеуін қадағалаңыз. Аспаптың сыртқы бетін тұрақты түрде ылғалды шүберекпен тазалаңыз.

Су бүріккішін, бу генераторын немесе су ағынын пайдалануға тыйым салынады! Мұндай заттармен тазалағанда аспаптың электр қауіпсіздігі бұзылады.

8.3 Литий-иондық аккумуляторларды күту

Ылғалдың тиюін болдырмаңыз.

Бірінші рет іске қосу алдында аккумуляторды толығымен зарядтаңыз.

Аккумулятордың қызмет көрсету мерзімі максималды болуын қамтамасыз ету үшін аккумуляторды бірінші байқалатын аспаптың қуаттылығы төмендеуі кезінде зарядтаңыз.

НҰСҚАУ

Аспапты одан әрі пайдаланғанда аккумулятордың разрядталуын автоматты түрде ұзу орын алады және №1 жарық диоды жыпықтай бастайды. Бұл аккумулятордың зақымдалуын болдырмауға мүмкіндік береді.

Аккумуляторларды зарядтау үшін тек рұқсат етілген литий-иондық аккумуляторларға арналған Hilti зарядтағыш құрылғыларын пайдаланыңыз.

НҰСҚАУ

- NiCd немесе NiMH аккумуляторлары сияқты, аккумуляторлар регенерациясы қажет емес.
- Зарядтау процесін ұзу аккумулятордың қызмет көрсету мерзіміне әсер етпейді.
- Аккумуляторды зарядтауды кез келген сәтте қызмет көрсету мерзіміне салдарларсыз бастауға болады. Li-Ion аккумуляторларына NiCd или NiMH аккумуляторларында сияқты жад әсері тән емес.
- Аккумуляторларды сақтаудың оптималды жағдайлары – толық зарядталған күйде, салқын және құрғақ жерде. Аккумуляторларды жоғары температура жағдайларында (терезе сыртында) сақтау ұсынылмайды. Бұл Аккумулятордың қызмет көрсету мерзімін қысқартады және аккумуляторлардың өзіндік разрядталу коэффициентін арттырады.
- Аккумулятор толық зарядталмаған жағдайда, ол ескіру немесе шамадан тыс жүктемелер салдарынан қуаттылығын жоғалтады. Тіпті аккумулятор жұмысты жалғастыруға мүмкіндік берсе де, оны алдын ала жаңасына ауыстыру керек.

kk

8.4 Техникалық қызмет көрсету

НАЗАР АУДАРЫҢЫЗ

Аспаптың электр бөлігін жөндеуді тек маман-электрикке тапсырыңыз.

Тұрақты түрде аспаптың түйіндерінде зақымдар жоқ екенін, сондай-ақ, барлық басқару бөлшектерінің және құрамдастардың дұрыстығын тексеріңіз. Бөлшектері зақымдалған немесе басқару элементтері ақаулы аспапты қолдануға тыйым салынады. Hilti қызмет көрсету орталығына барыңыз.

8.5 Күту және техникалық қызмет көрсету жұмыстарынан кейін бақылау

Аспапты күтіп, техникалық қызмет көрсеткеннен кейін барлық қорғауыш құрылғылар орнатылғанына және дұрыс қызмет ететініне көз жеткізіңіз.

9 Ақаулықтарды жою

Ақаулық	Ықтимал себеп	Ақаулықтарды жою
Аспап жұмыс істемейді.	Аккумулятор аспапқа толық қойылмаған немесе разрядталған.	Аккумулятор өзіне тән қос шырт еткен дыбыспен бекітілуі керек немесе аккумуляторды зарядтау керек.
	Электр бөлігі бойынша ақаулық.	Аккумуляторды аспаптан алыңыз және Hilti қызмет көрсету орталығына барыңыз.

Ақаулық	Ықтимал себеп	Ақаулықтарды жою
Аспап жұмыс істемейді, №1 жарық диоды жыпықтайды.	Аккумулятор разрядталған.	Аккумуляторды ауыстырыңыз және разрядталған аккумуляторды зарядтаңыз.
	Аккумулятор қызып кетті немесе тым суық.	Аккумуляторды жұмыс температурасына жеткізу керек.
Құрал жұмыс істемей тұр, 4 диодтың бәрі жыпылықтап тұр.	Аспапқа қысқа мерзімді шамадан тыс жүктеменің түсуі.	Негізгі сөндіргішті жіберіп, қайтадан басыңыз.
	Қызып кетуден қорғау.	Аспапты суытыңыз. Желдету саңылауларын тазалаңыз.
Негізгі іске қосқыш сөндіргіш басылмайды немесе бұғатталған.	Оңға/солға айналу ауыстырып қосқышы ортаңғы күйде (тасымалдауға арналған күй)	Оңға/солға айналу ауыстырып қосқышын солға немесе оңға бұрыңыз.
Айналымдар саны тым тез төмендейді.	Аккумулятор разрядталған.	Аккумуляторды ауыстырыңыз және разрядталған аккумуляторды зарядтаңыз.
Аккумулятор әдеттегіден тезірек разрядталады.	Аккумулятордың күйі оптималды емес.	Hilti қызмет көрсету орталығында диагностиканы қайталау немесе аккумуляторды ауыстыру керек.
Аккумулятор бекітілгенде оған тән қос шырт еткен дыбыс естілмейді.	Аккумулятордағы бекітетін ілгешектер ластанған.	Аккумулятордағы ілгешектерді тазалаңыз және аккумуляторды қойыңыз. Мәселелер пайда болғанда Hilti қызмет көрсету орталығына барыңыз.
Аспап немесе аккумулятор жылуды қарқынды түрде шығарады.	Электр бөлігі бойынша ақаулық.	Дереу аспапты өшіріңіз, аккумуляторды аспаптан алыңыз және Hilti қызмет көрсету орталығына барыңыз.
	Аспапқа шамадан тыс жүктеме түсірілген (мүмкін шек асырылған).	Мақсаты бойынша аспапты оптималды таңдау.

10 Утилизация

АБАЙЛАҢЫЗ

Жабдықты тиісті түрде тастамау мыналарға әкелуі мүмкін: Пластик бөлшектерді жаққанда адамдардың ауруға шалдығуына әкелетін уытты газдар пайда болады. Зақымдалған болса немесе қатты қыздырылса, батареялар жарылып, улануларға, күйіктерге, жарақаттануларға немесе қоршаған ортаны ластауға әкелуі мүмкін. Тастауға жеңілтек қарау бөгде адамдардың аспапты тиісті емес түрде пайдалануына әкелуі мүмкін. Бұл сіздің немесе басқа адамдардың ауыр жарақаттар алуын, сонымен бірге, қоршаған ортаны зақымдауды тудыруы мүмкін.

АБАЙЛАҢЫЗ

Зақымдалған аккумуляторларды дереу тастаңыз. Аспапты балалардан ары ұстаңыз. Аккумуляторды бөлек ұяшықтарға бөлшектемеңіз және жақпаңыз.

АБАЙЛАҢЫЗ

Аккумуляторларды ұлттық ережелерге сай тастаңыз немесе пайдалану мерзімі біткен аккумуляторларды Hilti компаниясына қайтарыңыз.



Hilti аспаптарында қайта өңдеуге болатын көп материалдар бар. Утилизация алдында материалдарды мұқият сұрыптау керек. Көп елдерде Hilti компаниясы ескі электр құралдарын утилизация үшін қайтару туралы келісімдер жасасып қойған. Бұл мәселе бойынша қосымша ақпаратты клиенттерге қызмет көрсету орталығынан немесе Hilti компаниясының техникалық консультантынан алуға болады.



Тек ЕО елдері үшін

Электр құралдарын үй қоқысымен бірге тастамаңыз!

Электр және электрондық жабдықты утилизациялау туралы еуропалық директиваға және оның ұлттық заңнамадағы нұсқасына сай пайдаланылған электр құралдарды және аккумулятор батареяларын бөлек жинау және экологиялық тұрғыдан таза утилизацияға жіберу керек.

kk

11 Өндіруші кепілі

Hilti компаниясы жеткізілетін аспапты өндірістік ақаулықтардың (материал және жинау ақаулықтары) жоқ екеніне кепіл береді. Бұл кепіл тек келесі шарттарды орындаған жағдайда жарамды: аспапты пайдалану, оған қызмет көрсету және тазалау осы пайдалану бойынша нұсқаулықтың нұсқаулары сәйкес орындалады; аспаптың техникалық тұтастығы сақталған, яғни, онымен жұмыс істегенде тек Hilti компаниясы жасаған түпнұсқа шығын материалдары, саймандар және қосалқы бөлшектер немесе солар сияқты сапасы бірдей бөлшектер қолданылған.

Бұл кепіл аспаптың бүкіл қызмет көрсету мерзімі бойында ақаулы бөлшектерді тегін жөндеуді немесе тегін ауыстыруды қамтиды. Бұл кепілдің күші табиғи тозуының салдарынан жөндеуді немесе ауыстыруды қажет ететін бөлшектерді қамтымайды.

Жергілікті заңнама талап ететін жағдайларды қоспағанда, барлық басқа шағымдар қарастырылмайды. Атап айтқанда, Hilti компаниясы аспапты кез келген мақсаттарда қолданумен немесе қолдану мүмкін еместігімен байланысты немесе соның нәтижесі болған тікелей, жанама, кездейсоқ зиянға жауапты емес. Аспапты аталмаған жұмыстарды орындау үшін пайдалануға болмайды.

Ақаулықты тапқанда аспапты және/немесе ақаулы бөлшектерді дереу жөндеу немесе ауыстыру үшін ең жақын Hilti өкілдігіне жіберу керек.

Осы кепіл Hilti компаниясының барлық кепіл міндеттемелерін қамтиды және кепілдерге қатысты барлық басқа міндеттемелерді және жазбаша немесе ауызша келісімдерді ауыстырады.

12 ЕС нормаларына сәйкестік декларациясы (түпнұсқа)

Белгіленуі:	Сыртқы төрт қырлы кілті бар аккумуляторлық гайка бұрағыш
Аспаптың түрі:	SIW 22T-A
Буын:	01
Шығарылған жылы:	2013

Hilti компаниясы осы өнімнің келесі директивалар мен нормаларға сәйкес келетінін толық жауапкершілікпен жариялайды: EN 60745-1, EN 60745-2-2, 2006/42/EC, 2004/108/EC, 2006/66/EG, 2011/65/EU, EN ISO 12100.



Paolo Luccini
Head of BA Quality and Process
Management
Business Area Electric Tools & Accessories 06/2013



Jan Doongaji
Executive Vice President

Business Unit Power Tools & Accessories 06/2013

Техникалық құжаттама:

Hilti Entwicklungsgesellschaft mbH
Zulassung Elektrowerkzeuge
Hiltistrasse 6
86916 Kaufering
Deutschland

安全上のご注意

- 火災、感電、けがなどの事故を未然に防ぐために、次に述べる「安全上のご注意」を必ず守ってください。
 - ご使用前に、この「安全上のご注意」すべてをよくお読みの上、指示に従って正しく使用してください。
 - お読みになった後は、お使いになる方がいつでも見られる所に必ず保管してください。
 - ご使用上の注意事項は、「**△ 警告**」と「**△ 注意**」に区分していますが、それぞれ次の意味を表します。
- △ 警告** : 誤った取扱いをしたときに、使用者が死亡または重傷を負う可能性が想定される内容のご注意。
- △ 注意** : 誤った取扱いをしたときに、使用者が傷害を負う可能性が想定される内容および物的損害のみの発生が想定される内容のご注意。

なお、**△ 注意**に記載した事項でも、状況によっては重大な結果に結びつく可能性があります。いずれも安全に関する重要な内容を記載していますので、必ず守ってください。

△ 警告

安全作業のために：

- 専用の充電器や電池パックを使用してください。
 - 他の充電器で電池パックを充電しないでください。
 - 指定した電池パック以外は充電しないでください。破裂して障害や損傷を及ぼす恐れがあります。
- 正しく充電してください。
 - この充電器は定格表示してある電源でご使用ください。直流電源やエンジン発電機では使用しないでください。
 - 温度が0℃未満、または温度が45℃以上では電池パックを充電しないでください。
 - 電池パックは、換気の良い場所で充電してください。電池パックや充電器を充電中、布などで覆わないでください。
 - 使用しない場合は、電源プラグを抜いてください。
- 電池パックの端子間を短絡させないでください。
 - 電池パックを金属と一緒に工具箱や釘袋などに保管しないでください。
- 感電に注意してください。
 - ぬれた手で電源プラグに触れないでください。
- 作業場の周囲状況も考慮してください。
 - 充電工具、充電器、電池パックは、雨中で使用したり、湿った、または、ぬれた場所で使用しないでください。

- 作業場は十分に明るくしてください。
 - 可燃性の液体やガスのある所で使用したり、充電しないでください。
- 保護めがねを使用してください。
 - 作業時は、保護めがねを使用してください。また、粉じんの多い作業では、防じんマスクを併用してください。
 - 防音保護具を着用してください。
 - 騒音の大きい作業では、耳栓、耳覆い（イヤマフ）などの防音保護具を着用してください。
 - 加工するものをしっかりと固定してください。
 - 加工するものを固定するために、クランプや万力などを利用してください。手で保持するより安全で、両手で充電工具を使用できます。
 - 次の場合は、充電工具のスイッチを切り、電池パックを本体から抜いてください。
 - 使用しない、または、修理する場合。
 - 刃物、ビット等の付属品を交換する場合。
 - その他危険が予想される場合。
 - 不意な始動は避けてください。
 - スイッチに指を掛けて連発しないでください。
 - 指定の付属品やアタッチメントを使用してください。
 - 本取扱説明書および弊社カタログに記載されている付属品やアタッチメント以外のものは使用しないでください。
 - 電池パックを火中に投入しないでください。
 - 電池パックの液が目に入ったら直ちにきれいな水で十分洗い、医師の治療を受けてください。
 - 使用時間が極端に短くなった電池パックは使用しないでください。

△ 注意


- 作業場は、いつもきれいに保ってください。
 - ちらかった場所や作業台は、事故の原因となります。
- 子供を近づけしないでください。
 - 作業者以外、充電工具や充電器のコードに触れさせないでください。
 - 作業者以外、作業場へ近づけしないでください。
- 使用しない場合は、きちんと保管してください。
 - 乾燥した場所で、子供の手の届かない安全な所または錠のかかる所に保管してください。
 - 充電工具や電池パックを、温度が50℃以上になる可能性がある場所（金属の箱や夏の車内等）に保管しないでください。


- 無理して使用しないでください。
 - 安全に効率よく作業するために、充電工具の能力に合った速さで作業してください。
 - モータがロックするような無理な使い方はしないでください。
- 作業に合った充電工具を使用してください。
 - 小型の充電工具やアタッチメントは、大型の充電工具で行う作業には使用しないでください。
 - 指定された用途以外に使用しないでください。
- きちんとした服装で作業してください。
 - だぶだぶの衣服やネックレス等の装身具は、回転部に巻き込まれる恐れがあるので、着用しないでください。
 - 屋外での作業の場合には、ゴム手袋と滑り止めのついた履物の使用をお勧めします。
 - 長髪は、帽子やヘアカバー等で覆ってください。
- 充電工具は、注意深く手入れをしてください。
 - 付属品の交換は、取扱説明書に従ってください。
 - 充電器のコードは定期的に点検し、損傷している場合は、お買い求めのお店に修理を依頼してください。
 - 延長コードを使用する場合は、定期的に点検し、損傷している場合には交換してください。
 - 握り部は、常に乾かしてきれいな状態に保ち、油やグリースが付かないようにしてください。
- 充電器のコードを乱暴に扱わないでください。
 - コードを持って充電器を運んだり、コードを引っ張ってコンセントから抜かないでください。
 - コードを熱、油、角のとがった所に近づけないでください。
 - コードが踏まれたり、引っ掛けられたり、無理な力を受けて損傷することがないように充電する場所に注意してください。
- 無理な姿勢で作業をしないでください。
 - 常に足元をしっかりさせ、バランスを保つようにしてください。
- 調節キーやレンチ等は、必ず取り外してください。
 - スイッチを入れる前に、調節に用いたキーやレンチ等の工具類が取り外してあることを確認してください。
- 屋外使用に合った延長コードを使用してください。
 - 屋外で充電する場合、キャプタイヤコードまたはキャプタイヤケーブルの延長コードを使用してください。

- 油断しないで十分注意して作業を行ってください。
 - 充電工具を使用する場合は、取扱方法、作業の仕方、周りの状況等十分注意して慎重に作業してください。
 - 常識を働かせてください。
 - 疲れている場合は、使用しないでください。
- 損傷した部品がないか点検してください。
 - 使用前に、保護カバーやその他の部品に損傷がないか十分点検し、正常に動作するか、また所定機能を発揮するか確認してください。
 - 可動部分の位置調整および締め付け状態、部品の破損、取付け状態、その他運転に影響を及ぼす全ての箇所に異常がないか確認してください。
 - 電源プラグやコードが損傷した充電器や、落したり、何らかの損傷を受けた充電器は使用しないでください。
 - 破損した保護カバー、その他の部品交換や修理は、取扱説明書の指示に従ってください。取扱説明書に指示されていない場合は、お買い求めのお店、または弊社営業担当に修理を依頼してください。
 - スイッチで始動および停止操作の出来ない充電工具は、使用しないでください。
- 充電工具の修理は、専門に依頼してください。
 - サービスマン以外の人は充電工具、充電器、電池パックを分解したり、修理・改造は行わないでください。
 - 充電工具が熱くなったり、異常に気付いた時は点検修理に出してください。
 - 本製品は、該当する安全規格に適合していますので改造しないでください。
 - 修理は、必ず弊社営業担当、お買い求めの販売店にお申し付けください。修理の知識や技術のない方が修理しますと、十分な性能を発揮しないだけでなく、事故やけがの原因となります。

この取扱説明書は、大切に保管してください。

充電式インパクトレンチ使用上の注意

 警告
<ol style="list-style-type: none">1. 穴あけ作業中、本体が振り回されることがあります。使用中は、本体を確実に保持してください。<ul style="list-style-type: none">• 確実に保持していないと、けがの原因になります。2. 使用中は、先端工具類（キリ、ビットなど）や切り屑などに手や顔などを近づけないでください。<ul style="list-style-type: none">• けがの原因になります。3. 作業中、工具が電線管・水道管やガス管などの埋蔵物に触れると感電やガス漏れの恐れがあります。作業前に埋蔵物がないかどうか十分確かめてください。4. 誤って落としたり、ぶつけたときは、先端工具類（ビットなど）や本体などに破損や亀裂、変形がないことをよく点検してください。<ul style="list-style-type: none">• 破損や亀裂、変形があると、けがの原因になります。5. 使用中、本体の調子が悪かったり、異常音が出たときは、直ちにメインスイッチを切って使用を中止し、弊社営業担当またはお買い求めの販売店に点検・修理を依頼してください。<ul style="list-style-type: none">• そのまま使用していると、けがの原因になります。6. 石綿は人体に有害です。このような成分を含んだ材料を加工するときは、防じん対策をしてください。

 注意
<ol style="list-style-type: none">1. 先端工具類（キリ、ビットなど）や付属品は、取扱説明書に従って確実に取り付けてください。<ul style="list-style-type: none">• 確実にないと、はずれたりし、けがの原因になります。2. 使用中は、單手など巻き込まれる恐れがある手袋を着用しないでください。<ul style="list-style-type: none">• 回転部に巻き込まれ、けがの原因になります。3. 細径ドリルビットは折れやすいので注意してください。4. 騒音からの保護のため、耳栓を着用してください。5. 作業中は、ヘルメット、安全靴を着用してください。6. 作業直後の先端工具類（キリ、ビットなど）、材料、切り屑などは非常に熱くなっているので、触れないでください。<ul style="list-style-type: none">• やけどの原因になります。7. 高所作業のときは、下に人がいないことをよく確かめてください。また、コードを引っ張られたり、引っかけたりしないようにしてください。<ul style="list-style-type: none">• 材料や本体などを落としたときなど、事故の原因になります。8. 本体を作動させたまま床などに放置しないでください。<ul style="list-style-type: none">• けがの原因になります。

オリジナル取扱説明書

SIW 22T-A 充電式インパクト レンチ

ご使用前にこの取扱説明書を必ずお読みください。
この取扱説明書は必ず工具と一緒に保管してください。
他の人が使用する場合には、本体と取扱説明書を一緒にお渡しください。

目次

1	一般的な注意	201
2	製品の説明	202
3	アクセサリ	203
4	製品仕様	204
5	安全上の注意	205
6	ご使用前に	208
7	ご使用方法	209
8	手入れと保守	210
9	故障かな? と思った時	211
10	廃棄	212
11	本体に関するメーカー保証	213
12	EU 規格の準拠証明 (原本)	213

ja

■ この数字は該当図を示しています。図は二つ折りの表紙の中にあります。取扱説明書をお読みの際は、これらのページを開いてください。

この取扱説明書で「本体」と呼ばれる工具は、常に SIW 22T-A 充電式インパクトレンチを指しています。

各部名称 **■**

- ① チャック
- ② 無段変速スイッチ (電子回転数コントロール装備)
- ③ 正回転 / 逆回転切り替えスイッチ (スイッチオンロック付き)
- ④ 追加機能 (充電状態インジケータ作動) 付きリリースボタン
- ⑤ 銘板
- ⑥ 充電状態および故障インジケータ (Li-Ion バッテリーパック)
- ⑦ ベルトフック (オプション)

1 一般的な注意

1.1 安全に関する表示とその意味

危険

この表記は、重傷あるいは死亡事故につながる危険性がある場合に注意を促すために使われます。

警告事項

この表記は、重傷あるいは死亡事故につながる可能性がある場合に注意を促すために使われます。

注意

この表記は、軽傷あるいは所持物の損傷が発生する可能性がある場合に使われます。

注意事項

この表記は、本製品を効率良く取り扱うための注意事項や役に立つ情報を示す場合に使われます。

1.2 記号の説明と注意事項

警告表示



一般警告事項



電気に関する警告事項



腐食に関する警告事項

義務表示



保護メガネを着用してください



保護ヘルメットを着用してください



耳栓を着用してください



保護手袋を着用してください



粉じんの多い作業においては、防じんマスクを着用してください

略号



ご使用前に取扱説明書をお読みください



リサイクル規制部品です



電圧



直流

ja

n_0

無負荷回転数

/min

毎分回転数

機種名・製造番号の表示箇所

機種名は銘板上、また製造番号はモーターハウジングの側面に表示されています。当データを御自身の取扱説明書にメモ書きしておき、お問い合わせなどの必要な場合に引用してください。

機種名：

製品世代：01

製造番号：

2 製品の説明

2.1 正しい使用

SIW 22T-A は手持ち式の充電式インパクトレンチです。スクリューナット、ボルト、アンカーおよび木ネジを締め付けたり緩めたりするのに適しています。

健康を損なう恐れのある母材（アスベストなど）への加工は許されません。

各国の労働安全衛生法に従ってください。

本バッテリーパックを他の電気器具の電源用に使用しないでください。

本体の加工や改造は許されません。

けがの可能性を防ぐため、必ずヒルティ純正の、アクセサリーや先端工具のみを使用してください。

トルクを厳密に設定する必要のある用途に本体を使用してはなりません。規定のトルクが要求される、もしくは最大トルクを超えてはならない用途に本体を使用した場合、過回転、ネジまたは作業材料が損傷する危険が生じます。このような用途に対しては、トルクを厳密に設定できる機器をご使用ください。

取扱説明書に記述されている使用、手入れ、保守に関する事項に留意してご使用ください。

本体はプロ仕様で製作されており、本体の使用、保守、修理を行うのは、認定、訓練された人のみに限ります。これらの人は、遭遇し得る危険に関する情報を入手していなければなりません。本体および付属品の、使用法を知らない者による誤使用、あるいは規定外使用は危険です。

作業区域としては、建設現場、工場での改修・改築・新築工事などが考えられます。

2.2 チャック

½" スクエアチャック（半球付き）

¾" スクエアチャック（ピンロック付き）

2.3 スイッチ

無段変速スイッチ（回転数電子制御式）

正回転 / 逆回転切り替えスイッチ（スイッチオンロック付き）

2.4 本体標準セット構成（本体ケース版）：

- 1 本体
- 1 取扱説明書
- 1 本体ケース

2.5 本体標準セット構成（カートン梱包版）：

- 1 本体
- 1 取扱説明書

2.6 本体の作動に必要な追加品目

バッテリーパック B 22/2.6 Li-Ion または B 22/3.3 Li-Ion および充電器 C436-90、C436-350、C 4/36、C 4/36-ACS または C 4/36-ACS TPS。

2.7 バッテリーパックの充電状態および過熱インジケーター

LED 点灯	LED 点滅	充電状態 C
LED 1、2、3、4	-	$C \geq 75\%$
LED 1、2、3	-	$50\% \leq C < 75\%$
LED 1、2	-	$25\% \leq C < 50\%$
LED 1	-	$10\% \leq C < 25\%$
-	LED 1	$C < 10\%$
-	LED 1	バッテリーパックの過熱

ja

2.8 本体の過負荷および過熱インジケーター

本体には電子過負荷保護機構および過熱保護機構が装備されています。過負荷および過熱の際、本体は自動的にオフになります。コントロールスイッチを放して押し直すと、オンになるまでに時間がかかる場合があります（本体の冷却段階）。

LED 点灯	LED 点滅	本体の状態
-	LED 1、2、3、4	本体の過負荷あるいは過熱

3 アクセサリー

名称	略号
ソケットレンチインサート	S-NSD および SV
Li-Ion バッテリーパック用充電器	C 4/36
Li-Ion バッテリーパック用充電器	C 4/36-ACS
Li-Ion バッテリーパック用充電器	C 4/36-ACS TPS
Li-Ion バッテリーパック用充電器	C 4/36-90
Li-Ion バッテリーパック用充電器	C 4/36-350
バッテリーパック	B 22/3.3 Li-Ion
バッテリーパック	B 22/2.6 Li-Ion
バッテリーパック	B 22/1.6 Li-Ion
ベルトフック	

4 製品仕様

技術データは予告なく変更されることがあります。

本体	SIW 22T-A 1/2"	SIW 22T-A 3/4"
電圧 (直流電圧)	21.6 V	21.6 V
重量 (EPTA プロシージャ 01/2003 に準拠)	3 kg	3.2 kg
本体寸法 (長 x 幅 x 高)	232 mm x 94 mm x 258 mm	251 mm x 94 mm x 258 mm
無負荷回転数	0... 2,000/min	0... 2,000/min
全負荷打撃数	Max. 2,500/min	Max. 2,500/min
トルク	450 Nm	450 Nm
普通ボルト	M12 ... M24	M12 ... M24
高力ボルト	M8 ... M16	M8 ... M16
チャック	1/2" スクエア (半球付き)	ロックピン付き 3/4 インチ四角タイプ
回転数コントロール	電子制御によるコントロールスイッチ	電子制御によるコントロールスイッチ
正逆回転機能	作動中の切替ロック機能付きスイッチ	作動中の切替ロック機能付きスイッチ
過放電保護	あり	あり

注意事項

騒音について (EN 60745-1) :

本体	SIW 22T-A 1/2"	SIW 22T-A 3/4"
サウンドパワーレベル	108 dB (A)	111 dB (A)
サウンドプレッシャーレベル	97 dB (A)	100 dB (A)
定格騒音レベルに対する不確実性	3 dB (A)	3 dB (A)

注意事項

本説明書に記載されている振動レベルは、EN 60745 に準拠した測定方法に基づいて測定したものです。電動工具を比較するのにご使用いただけます。振動負荷の暫定的な予測にも適しています。記載されている振動レベルは、電動工具の主要な使用方法に対する値です。電動工具を他の用途で使用したり、異なる先端工具を取り付けて使用したり、手入れや保守が十分でないまま使用した場合には、振動レベルが異なることがあります。このような相違により、作業時間全体で振動負荷が著しく高くなる可能性があります。振動負荷を正確に予測するためには、本体のスイッチをオフにしている時間や、本体が作動していても実際には使用していない時間も考慮しなければなりません。このような相違により、作業時間全体で振動負荷が著しく低くなる可能性があります。作業者を振動による作用から保護するために、他にも安全対策を立ててください (例：電動工具およびの先端工具の手入れや保守、手を冷やさないようにする、作業手順の編成)。

EN 60745 準拠の追加情報

3 軸の振動値 (振動ベクトル合 EN 60745-2-2 に準拠計)

1/2" 先端工具用固定具 (最大サイズ) による回転 + 打撃、 a_h 14.5 m/s²

3/4" 先端工具用固定具 (最大サイズ) による回転 + 打撃、 a_h 14.2 m/s²

不確実性 (K) 1.5 m/s²

バッテリーパック	B 22/3.3 Li-Ion	B 22/2.6 Li-Ion	B 22/1.6 Li-Ion
電圧	21.6 V	21.6 V	21.6 V
バッテリー容量	3.3 Ah	2.6 Ah	1.6 Ah
重量	0.78 kg	0.78 kg	0.48 kg
充電温度モニター	あり	あり	あり

バッテリーパック	B 22/3.3 Li-Ion	B 22/2.6 Li-Ion	B 22/1.6 Li-Ion
放電温度モニター	あり	あり	あり
セルの種類	Li-Ion	Li-Ion	Li-Ion
セルブロック数	12 個	12 個	6 個
バッテリー容量	71.28 Wh	56.16 Wh	34.56 Wh

5 安全上の注意

注意事項

以下の章に記載された安全上の注意事項は、電動工具に関する全ての基本的な安全情報を含んでおり、準拠する規格に応じた注意事項がこの取扱説明書に記載されています。したがって、この取扱説明書で説明する機器には関係のない注意事項が含まれていることもあります。

5.1 電動工具の一般安全注意事項

a) 警告事項

安全上の注意および指示事項をすべてお読みください。安全上の注意および指示事項に従わない場合、感電、火災、重度のけがをまねく恐れがあります。安全上の注意および指示事項が書かれた説明書はすべて大切に保管してください。安全上の注意で使用する用語「電動工具」とは、お手持ちの電動ツール（電源コード使用）およびバッテリーツール（コードレス）を指します。

ja

5.1.1 作業環境に関する安全

- 作業場はきれいに保ち、十分に明るくしてください。ちらかった暗い場所での作業は事故を起こす恐れがあります。
- 爆発の危険性のある環境（可燃性液体、ガスおよび粉じんのある場所）では電動工具を使用しないでください。電動工具から火花が飛散し、粉じんや揮発性ガスに引火する恐れがあります。
- 電動工具の使用時、子供や無関係者を作業場へ近づけないでください。作業中に気がそざされると、本体のコントロールを失ってしまう恐れがあります。

5.1.2 電気に関する安全注意事項

- 電動工具の接続プラグは電源コンセントにきちんと適合しなければなりません。プラグは絶対に変更しないでください。アースした電動工具と一緒にアダプタープラグを使用しないでください。オリジナルのプラグと適切なコンセントを使用することにより、感電の危険を小さくすることができます。
- パイプ、ラジエーター、電子レンジ、冷蔵庫などのアースされた面に体の一部が触れないようにしてください。体が触れると感電の危険が大きくなります。
- 電動工具を雨や湿気から保護してください。電動工具に水が浸入すると、感電の危険が大きくなります。
- 電動工具を持ち運んだり、吊り下げたり、コンセントからプラグを抜いたりするときは、必ず本体を持ち、電源コードを持ったり引っ張ったりしないでください。電源コードを火気、オイル、鋭利な刃物、本体の可動部等に触れる場所に置かないでください。コードが損傷したり絡まったりしていると、感電の危険が大きくなります。
- 屋外工事の場合には、屋外専用の延長コードのみを使用してください。屋外専用の延長コードを使用すると、感電の危険が小さくなります。
- 湿った場所で電動工具を作動させる必要がある場合は、漏電遮断機を使用してください。漏電遮断機を使用すると、感電の危険が小さくなります。

5.1.3 作業者に関する安全

- 電動工具を使用の際は、油断せずに十分注意し、常識をもった作業をおこなってください。疲れている場合、薬物、医薬品服用およびアルコール飲用による影響下にある場合には電動工具を使用しないでください。電動工具使用中の一瞬の不注意が重傷の原因となることがあります。
- 作業保護具および保護メガネを常に着用してください。けがに備え、電動工具使用状況に応じた粉じんマスク、耐滑性の安全靴、ヘルメット、耳栓などの作業保護具を使用してください。

- c) 電動工具の不意な始動は避けてください。電動工具を電源および / またはバッテリーに接続する前や本体を持ち上げたり運んだりする前に、本体がオフになっていることを必ず確認してください。オン / オフスイッチが入っている状態で電動工具のスイッチに指を掛けたまま運んだり、電源に接続したりすると、事故の原因となる恐れがあります。
- d) 電動工具のスイッチを入れる前に、必ず調節キーやレンチを取り外してください。調節キーやレンチが本体の回転部に装着されたままでは、けがの原因となる恐れがあります。
- e) 作業中は不安定な姿勢をとらないでください。足元を安定させ、常にバランスを保つようにしてください。これにより、万一電動工具が異常状況に陥った場合にも、適切な対応が可能となります。
- f) 作業に適した作業着を着用してください。だぶだぶの衣服や装身具を着用しないでください。髪、衣服、手袋を本体の可動部に近づけないでください。だぶだぶの衣服、装身具、長い髪が可動部に巻き込まれる恐れがあります。
- g) 吸じんシステムの接続が可能な場合には、これらのシステムが適切に接続、使用されていることを確認してください。吸じんシステムを利用することにより、粉じん公害を防げます。

5.1.4 電動工具の使用および取扱い

- ja
- a) 無理のある使用を避けてください。作業用途に適した電動工具を使用してください。適切な電動工具の使用により、効率よく、スムーズかつ安全な作業が行えます。
 - b) スwitchに支障がある場合には、電動工具を使用しないでください。スイッチで始動および停止操作のできない電動工具は危険ですので、修理が必要です。
 - c) 本体の設定やアクセサリの交換を行う前や本体を保管する前には電源プラグをコンセントから抜くか、バッテリーを取り外してください。この安全処置により、電動工具の不意の始動を防止することができます。
 - d) 電動工具をご使用にならない場合には、子供の手の届かない場所に保管してください。電動工具に関する知識のない方、本説明書をお読みでない方による本体のご使用はお避けください。未経験者による電動工具の使用は危険です。
 - e) 電動工具は慎重に手入れしてください。可動部分が引っ掛かりなく正常に作動しているか、電動工具の運転に影響を及ぼす各部分が破損・損傷していないかを確認してください。電動工具を再度ご使用になる前に、損傷部分の修理を依頼してください。発生事故の多くは保守管理の不十分な電動工具の使用が原因となっています。
 - f) 先端工具をきれいに保ってください。お手入れのゆきとどいた先端工具を使用すると、作業が簡単かつ、スムーズになります。
 - g) 電動工具、アクセサリ、先端工具などは本説明書内の指示に従って使用してください。この際、作業環境および用途に関してもよくご注意ください。指定された用途以外に電動工具を使用すると危険な状況をまねく恐れがあります。

5.1.5 バッテリーの使用および取扱い

- a) バッテリーを充電する場合は、必ずメーカー推奨の充電器を使用してください。特定タイプのバッテリー専用の充電器を他のバッテリーに使用すると、火災の恐れがあります。
- b) 指定されたバッテリーのみを電動工具に使用してください。指定以外のバッテリーを使用すると、負傷や火災の恐れがあります。
- c) 使用しないバッテリーの近くに、事務用クリップ、硬貨、キー、釘、ネジ、その他の小さな金属片を置かないでください。電気接点の短絡が起こることがあります。バッテリーの電気接点間が短絡すると、火傷や火災が発生する危険があります。
- d) バッテリーが正常でない場合、液漏れが発生することがあります。その場合、漏れた液には触れないでください。もしも触れてしまった場合は、水で洗い流してください。液体が眼に入った場合は、水で洗い流してから医師の診察を受けてください。流出したバッテリー液により、皮膚が刺激を受けたり火傷を負う恐れがあります。

5.1.6 サービス

- a) 電動工具の修理は必ず認定サービスセンターにお申し付けください。また、必ず純正部品を使用してください。これにより電動工具の安全性が確実に維持されます。

5.2 その他の安全上の注意

5.2.1 作業者に関する安全

- a) 作業の実施に伴いネジが隠れている電線に接触する可能性がある場合は、本体を絶縁されたグリップ面で保持するようにしてください。ネジが通電しているケーブルと接触すると、本体の金属部分にも電圧がかかり、感電の危険があります。
- b) 耳栓を着用してください。騒音により、聴覚に悪影響が出る恐れがあります。
- c) 本体に集じん装置を取り付けずに作業をする場合、作業される方は防じんマスクを着用しなければなりません。
- d) 休憩を取って緊張をほぐし、指を動かして血の巡りを良くするように心がけてください。
- e) 回転部分には手を触れないでください。本体の電源は必ず作業場で入れてください。回転部分、特に回転している先端工具は負傷の原因となります。
- f) 本体を保管および搬送する際は、スイッチオンロックを作動させてください（正逆回転スイッチを中立の位置にします）。
- g) 本体で遊んではいけないことを子供に伝えてください。
- h) 本体は、子供や体の弱い人が指示を受けずに使用するには向いていません。
- i) 含鉛塗料、特定の種類の木材、鉛物、金属などの母材から生じた粉じんは、健康を害する恐れがあります。作業者や近くにいる人々が粉じんに触れたり吸い込んだりすると、アレルギー反応や呼吸器疾患を起こす可能性があります。カシヤブナ材などの特定の粉じんは、特に木材処理用の添加剤（クロム塩酸、木材保護剤）が使用されている場合、発ガン性があるとされています。アスベストが含まれる母材は、必ず専門家が処理を行うようにしてください。できるだけ集じん装置を使用してください。集じん効果を高めるには、当電動工具に適したヒルティ推奨の木材 / 鉛物粉じん用移動式集じん機を使用してください。作業場の換気に十分配慮してください。フィルタークラス P2 の防じんマスクの着用をお勧めします。処理する母材について、各国で効力を持つ規定を遵守してください。

ja

5.2.2 電動工具の取扱いと手入れ

- a) 作業材料を固定します。作業材料を締め付ける時は、クランプあるいは万力を使用してください。この方が手で押さえるよりも確実であり、本体を両手で自由に操作することができます。
- b) 使用する先端工具がチャック機構に適合し、チャック内にしっかりと固定されていることを確認してください。
- c) ネジおよび作業材料が、本体が出すトルクに対応しているか確認してください。トルクが大きすぎると、ネジまたは作業材料に過大な負荷がかかり、延びが生じたり、損傷したりすることで、危険な状況やけがをまねく恐れがあります。

5.2.3 バッテリーの慎重な取扱いおよび使用

- a) バッテリーパックは高温と火気を避けて保管してください。爆発の恐れがあります。
- b) バッテリーパックを分解したり、挟んだり、80 °C 以上に加熱したり、燃やしたりしないでください。これを守らないと、火災、爆発、腐食の危険があります。
- c) 必ず本体用に許可されたバッテリーパックを使用してください。その他のバッテリーパックを使用したり、他の目的でバッテリーパックを使用すると、火災や爆発の危険があります。
- d) Li-Ion バッテリーパックの搬送、保管、作動には特別規定を守ってください。
- e) 損傷したバッテリーパック（例えば亀裂や破損箇所があったり、電気接点が曲がっていたり、押し戻されていたり、引き抜かれているバッテリーパック）の充電や使用はしないでください。
- f) バッテリーパックがつかむことのできないほどに熱くなっている場合は、故障している可能性があります。本体を監視可能な火気のない場所に可燃性の資材から十分に距離をとって置き、冷ましてください。バッテリーパックを冷ました後、ヒルティサービスセンターにご連絡ください。

5.2.4 電気に関する安全注意事項



作業を開始する前に、作業場に埋設された電線、ガス管や水道管がないかを金属探知機などで調査してください。例えば、作業中に誤って先端工具が電線に触れると、本体の金属部分とケーブルが通電する可能性があります。この場合、感電による重大な事故が発生する危険があります。

5.2.5 作業場の安全確保

- 作業場の採光に十分配慮してください。
- 作業場の換気に十分配慮してください。作業場の換気が十分でないと、粉じんによる汚染で健康が害される恐れがあります。

5.2.6 個人保護用具



本体使用中、作業者および現場で直近に居合わせる人々は保護メガネ、保護ヘルメット、耳栓、保護手袋および防じんマスクを着用しなければなりません。

6 ご使用前に



6.1 バッテリーパックの慎重な取扱い

注意事項

低温ではバッテリーパックの力が低下します。バッテリーの充電量が少なくなった場合は、本体が完全に停止するまで作業を続けないでください。予備のバッテリーと交換してください。効率が落ちたバッテリーパックは、交換後速やかに充電してください。

バッテリーパックを使用しない場合は、できるだけ涼しくて乾燥した場所に保管してください。バッテリーパックを太陽の直射下、ラジエーターの上、窓際等で保管しないでください。寿命となったバッテリーの廃棄は、リサイクル規制により定められた方法で確実に行ってください。

6.2 バッテリーパックの充電



注意

必ず「アクセサリ」の項に記載のヒルティ充電器を使用してください。

6.2.1 バッテリーパックの初充電

はじめてお使いになる前にはバッテリーパックをフル充電してください。

6.2.2 使用されたバッテリーパックの充電

バッテリーパックを充電器にセットする前に、バッテリーパックの表面の汚れを落とし、乾かしてください。

充電方法については、充電器の取扱説明書を参照してください。Li-Ion バッテリーパックは、部分的にしか充電されていない状態であっても常に挿入することができます。充電の進行状況はLED で表示されます（充電器の取扱説明書を参照）。

6.3 バッテリーパックの装着

注意

バッテリーパックを装着する前に、本体のスイッチがオフになっていてスイッチオンロックが作動していること（正逆回転スイッチを中立の位置にします）を確認してください。必ず本体用に許可されたヒルティバッテリーパックを使用してください。

注意

バッテリーパックを本体に装着する前に、バッテリーパックの電気接点と本体の電気接点に異物が入っていないか確認してください。

1. バッテリーパックを本体の後部にあてがいながら、カチッカチツと音がするまで挿入します。
2. **注意**バッテリーパックが正しく装着されていないと、作業中に落下することがあります。

注意バッテリーパックが落下してご自身あるいは他の方が怪我をする恐れがあります。

作業を開始する前に、バッテリーパックが確実に本体に装着されていることを確認してください。

6.4 バッテリーパックの取外し 2

1. バッテリーの両サイドにあるリリースボタンを押します。
2. バッテリーパックを本体から後ろへ引き抜きます。

6.5 バッテリーパックの搬送および保管

バッテリーパックを引いて、ロック位置（作業位置）から最初のロック位置（トランスポートロック位置）へ動かします。搬送あるいは保管のためにバッテリーパックを本体から取り外す際は、バッテリーパックの電気接点がショートしないことを確認してください。本体ケース、先端工具箱あるいは搬送用ケースからねじ、ネイル、クランプなどの緩んだ金属製部品、緩いビット、針金あるいは金屑などを取り除くか、あるいはこれらがバッテリーパックと接触しないようにしてください。

バッテリーパックを輸送（トラック、鉄道、船舶あるいは航空機による輸送）する際は、輸送に関する各国および国際的な規定に注意してください。

7 ご使用方法



7.1 先端工具の交換

注意事項

本体には、先端工具の保持のために 1/2" スクエアチャック（半球付き）または 3/4" スクエアチャック（ピンロック付き）が装着されています。

7.1.1 先端工具の交換 1/2" スクエア（半球付き）

注意事項

ソケットの横の穴にチャックの半球がはまり込むようにします、そうしないと先端工具が自然に緩んでしまい、固定することができません。

7.1.1.1 ソケット（先端工具）の取付け 3

1. 正逆回転スイッチを中立位置にするか、またはバッテリーパックを本体から取り外します。
2. ソケットの横の穴にチャックの半球がはまり込むようにします。
3. ソケットをチャックにかみ合うまで押し込みます。

7.1.1.2 ソケット（先端工具）の取外し 4

1. 正逆回転スイッチを中立位置にするか、またはバッテリーパックを本体から取り外します。
2. ソケットをチャックから引き出します。

7.1.2 先端工具の交換 3/4" スクエア（ピンロック付き）

7.1.2.1 ソケット（先端工具）の取付け 5

1. 正逆回転スイッチを中立位置にするか、またはバッテリーパックを本体から取り外します。
2. O リングをソケットの溝から取り外します。

3. ロックピンを外します。
4. ソケットを本体のドライブスクエアに取り付けます。
注意事項ドライブスクエアのロックピンの受け穴とソケットが合致することを確認します。
5. 最初にロックピンを取り付け、それから固定のために再び O リングをソケットに取り付けます。

7.1.2.2 ソケット (先端工具) の取外し 6

1. 正逆回転スイッチを中立位置にするか、またはバッテリーパックを本体から取り外します。
2. O リングをソケットの溝から取り外します。
3. ロックピンを外します。
4. ソケットを本体のドライブスクエアから取り外します。
5. 最初にロックピンを取り付け、それから固定のために再び O リングをソケットに取り付けます。

7.2 正逆回転の設定 7

注意事項

正逆回転スイッチを使用することにより、先端工具スピンドルの回転方向 (正回転、逆回転) を選択することができます。モーター回転中はロック機能により、スイッチの切替ができなくなります。中立の位置では、コントロールスイッチはブロックされます。正逆回転スイッチを右方向へ押す (本体の動作方向から見て) = 正回転。正逆回転スイッチを左方向へ押す (本体の動作方向から見て) = 逆回転。

7.3 スwitchのオン / オフ

コントロールスイッチをゆっくり押すことにより、回転数を最低から最高まで無段階調整することができます。

7.4 ねじ締め

警告事項

ネジおよび作業材料が、本体が出すトルクに対応しているか確認してください。トルクが大きすぎると、ネジまたは作業材料に過大な負荷がかかり、延びが生じたり、損傷したりすることで、危険な状況やけがをまねく恐れがあります。

正逆回転スイッチを希望の方向に選択します。

7.5 Li-Ion バッテリーパックの充電状態表示の読み取り 8

注意事項

作業中は充電状態の読み取りは行えません。LED 1 の点滅によってのみ、バッテリーパックが完全に放電しているか、あるいは高温になりすぎているか (> 80 °C) が示されます。この場合は、バッテリーパックを充電器にセットしてください。LED が 4 個すべて点滅することにより、本体に過負荷がかかっているか過熱しているかが示されます。

Li-Ion バッテリーパックは充電状態表示を行うことができます。充電中は、バッテリーパックのインジケーターで充電状態が示されます (「Li-Ion バッテリーパックの充電状態」の章を参照)。停止状態のときにバッテリーパックのロックボタンを押すと充電状態が 4 個の LED で 3 秒間示されます。

7.6 ベルトフック 9

注意

作業を開始する前に、ベルトフックが確実に固定されていることを確認してください。

ベルトフックにより、本体を体に接触させてベルトに固定することができます。またベルトフックの位置は、左利きの作業者のために本体の反対側に変更することもできます。

1. バッテリーパックを本体から引き出します。
2. ねじ止めプレートをガイドに差し込みます。
3. ベルトフックを 2 本のねじで固定します。

8 手入れと保守

注意

本体が不意に始動することがないように、清掃作業を始める前にバッテリーパックを取り外してください。

8.1 先端工具の手入れ

先端工具の表面に付着した汚れを取り除きます。時折、油を染みこませた布で表面を磨いて腐食から守ってください。

8.2 本体の手入れ

注意

本体、特にグリップ表面を乾燥させ、清潔に保ち、オイルやグリスが付着していないようにしてください。洗剤、磨き粉等のシリコンを含んだ清掃用具は使用しないでください。

本体の外側ボディは、耐衝撃性プラスチックで作られています。グリップ部分は合成ゴムを使用しています。

通気溝が覆われた状態で本体を使用しないでください。通気溝を乾いたブラシを使用して注意深く掃除してください。本体内部に異物が入らないようにしてください。定期的に、少し湿した布で本体表面を拭いてください。スプレーやスチームあるいは流水などによる清掃は避けてください。電気上の安全面に悪影響が出る可能性があります。

8.3 Li-Ion バッテリーパックの手入れ

湿気が入らないようにしてください。

はじめてお使いになる前にはバッテリーパックをフル充電してください。

バッテリーパックを最大寿命で使用できるように、本体のパワーが著しく低下したら直ちに放電を中止してください。

注意事項

本体をさらに使用し続けると、セルの損傷に至る前に放電が自動的に止まり、バッテリーパックの LED 1 が点滅します。

バッテリーパックは Li-Ion バッテリーパック用に許可されたヒルティ充電器で充電してください。

注意事項

- NiCd または NiMH の場合のようなバッテリーパックのコンディショニングは必要ありません。
- 充電を中断しても、バッテリーパックの寿命に影響はありません。
- バッテリーの寿命に影響を及ぼすことなく、いつでも充電を開始することができます。NiCd または NiMH の場合のようなメモリー効果はありません。
- バッテリーパックはフル充電した状態でできるだけ涼しくて乾燥した場所に保管するのが最適です。周囲温度が高い場所（窓際）にバッテリーパックを保管すると、バッテリーパックの寿命に影響が出て、セルの自己放電率が上昇します。
- バッテリーパックが完全に充電できなくなった場合は、劣化や過負荷で容量が低下しています。このバッテリーパックで作業を続けることはまだ可能ですが、適当な時期にバッテリーパックを新品と交換してください。

8.4 保守

警告事項

本体の電気系統部分の修理は訓練された修理スペシャリストのみができます。

本体の全ての表面パーツに損傷がないか、また全ての装置が支障なく作動するか確認してください。パーツが損傷していたり、装置が正しく作動しない場合は、本体を使用しないでください。修理が必要な際は、弊社営業担当またはヒルティ代理店・販売店にご連絡ください。

8.5 手入れと保守を行った後の点検

手入れ、保守の作業を済ませた後は、全ての安全機構が装着され、正常に作動していることを確認しなければなりません。

9 故障かな？ と思った時

症状	考えられる原因	処置
本体が始動しない。	バッテリーパックが正しくロックされていないか、あるいはバッテリーパックの放電。	バッテリーパックをカチッカチッとロック音がするまで挿入するか、あるいはバッテリーパックを充電する。
	電氣的故障。	本体からバッテリーパックを取り外し、ヒルティサービスセンターに連絡する。
本体が作動せず、LED 1 が点滅する。	バッテリーパックの放電。	バッテリーパックを交換し、空のバッテリーパックを充電する。

症状	考えられる原因	処置
本体が作動せず、LED 1 が点滅する。	バッテリーパックの温度が高すぎる、または低すぎる。	バッテリーパックを推奨運転温度まで冷やす / 暖める。
本体が作動せず、4 個すべての LED が点滅。	本体に短期的に過負荷がかかっている。	コントロールスイッチを放して、押し直す。
	過熱保護が作動した。	本体を冷やす。 通気溝を清掃する。
オン / オフスイッチが押せない、あるいは動かない。	正逆回転スイッチは中立位置（トランスポートロック位置）	正逆回転スイッチを左または右へ押す。
回転数が突然落ちる。	バッテリーパックの放電。	バッテリーパックを交換し、空のバッテリーパックを充電する。
バッテリーパックの消耗が通常よりも早い。	バッテリーパックの状態が好ましくない。	ヒルティサービスセンターで診断するか、またはバッテリーパックを交換する。
バッテリーパックが「カチッカチツ」と音がするまでロックされない	バッテリーパックのロックノッチが汚れている。	ロックノッチを清掃して、バッテリーパックをロックする。問題が再発する場合は、ヒルティサービスセンターに連絡する。
本体あるいはバッテリーパックが熱くなる。	電氣的故障。	本体の電源を直ぐに切ってバッテリーパックを取り外し、ヒルティサービスセンターに連絡してください。
	本体に負荷がかかり過ぎていて（適用基準を超えている）。	用途に合った工具を選択する。

ja

10 廃棄

注意

装備を誤った方法で廃棄すると、次のような危険があります：プラスチック部分の燃焼時には人体に有害な有毒ガスが発生します。電池は損傷したりあるいは激しく加熱されると爆発し、毒害、火傷、腐食または環境汚染の危険があります。廃棄について十分な注意を払わないと、権限のない者が装備を誤った方法で使用する可能性があります。このような場合、ご自身または第三者が重傷を負ったり環境を汚染する危険があります。

注意

故障したバッテリーパックはただちに廃棄してください。バッテリーパックは子供の手の届かない所に置いてください。バッテリーパックを分解したり、燃やしたりしないでください。

注意

バッテリーは、各国の規制に従って廃棄してください。



本体の大部分の部品はリサイクル可能です。リサイクル前にそれぞれの部品は分別して回収されなければなりません。多くの国でヒルティは、古い電動工具をリサイクルのために回収しています。詳細については弊社営業担当またはヒルティ代理店・販売店にお尋ねください。



EU 諸国のみ

本体を一般ゴミとして廃棄してはなりません。
古い電気および電子工具の廃棄に関するヨーロッパ基準と各国の法律に基づき、使用済みの電気工具およびバッテリーパックは一般ゴミとは別にして、環境保護のためリサイクル規制部品として廃棄してください。

11 本体に関するメーカー保証

ヒルティは提供した本体に材質的または、製造上欠陥がないことを保証します。この保証はヒルティ取扱説明書に従って本体の操作、取り扱いおよび清掃、保守が正しく行われていること、ならびに技術系統が維持されていることを条件とします。このことは、ヒルティ純正の、消耗品、付属品、修理部品のみを本体に使用することができることを意味します。

この保証で提供されるのは、本体のライフタイム期間内における欠陥部品の無償の修理サービスまたは部品交換に限られます。通常の摩耗の結果として必要となる修理、部品交換はこの保証の対象となりません。

上記以外の請求は、拘束力のある国内規則がかかる請求の排除を禁じている場合を除き一切排除されます。とりわけ、ヒルティは、本体の使用目的の如何に関わらず、使用した若しくは使用できなかったことに関して、またはそのことを理由として生じた直接的、間接的、付随的、結果的な損害、損失または費用について責任を負いません。市場適合性および目的への適合性についての保証は明確に排除されます。

修理または交換の際は、欠陥が判明した本体または関連部品を直ちに弊社営業担当またはヒルティ代理店・販売店宛てにお送りください。

以上が、保証に関するヒルティの全責任であり、保証に関するその他の説明、または口頭若しくは文書による取り決めは何ら効力を有しません。

ja

12 EU 規格の準拠証明 (原本)

名称：	充電式インパクトレンチ
機種名：	SIW 22T-A
製品世代：	01
設計年：	2013

この製品は以下の基準と標準規格に適合していることを保証します：
EN 60745-1、EN 60745-2-2、2006/42/EG、2004/108/EG、2006/66/EG、2011/65/EU、EN ISO 12100。

Hilti Corporation、 Feldkircherstrasse 100、 FL-9494 Schaan

Paolo Luccini
Head of BA Quality and Process
Management
Business Area Electric Tools & Accessories
06/2013

Jan Doongaji
Executive Vice President
Business Unit Power Tools & Accessories
06/2013

技術資料：

Hilti Entwicklungsgesellschaft mbH
Zulassung Elektrowerkzeuge
Hiltistrasse 6
86916 Kaufering
Deutschland

SIW 22T-A 충전식 임팩트 렌치

처음 이 제품을 사용하기 전에 본 사용설명서를 반드시 읽으십시오.
이 사용설명서는 항상 기기와 함께 보관하십시오.
기기를 다른 사람에게 양도할 때는 사용설명서도 반드시 함께 넘겨주십시오.

목차

1	일반 정보	214
2	설명	215
3	액세서리	216
4	기술자료	216
5	안전상의 주의사항	217
6	사용전 준비사항	221
7	작동법	222
8	관리와 유지보수	223
9	고장진단	224
10	폐기	225
11	기기 제조회사 보증	225
12	EG-동일성 표시(오리지널)	226

1 이러한 숫자들은 사용설명서를 보기 위해 펼치면 겉표지에 있는 숫자들로, 해당되는 그림들을 찾기 위해 참고하십시오. 텍스트에 대한 그림은 펼칠 수 있는 겉표지에서 찾을 수 있습니다. 사용설명서를 읽으실 때는 겉표지를 펼쳐 놓으십시오. 사용설명서 본문에서 »기기«는 항상 배터리 팩을 포함한 충전식 임팩트 렌치를 지칭합니다.

조작요소와 기기구성부품 **1**

- ① 척 아답타
- ② 컨트롤 스위치 (회전속도 전자제어기능 포함)
- ③ 정회전/역회전 스위치, 스위치ON로크 있음
- ④ 충전상태 표시기 활성화 추가 기능을 갖춘 잠금해제 버튼
- ⑤ 형식 라벨
- ⑥ 충전상태 표시 및 고장 표시 (Li-Ion 배터리)
- ⑦ 벨트 후크 (선택사양)

1 일반 정보

1.1 신호단어와 그 의미

위험
이 기호는 직접적인 위험을 표시합니다. 만약 지키지 않으면 심각한 부상을 당하거나 사망으로 이어질 수도 있습니다.

경고
이 기호는 특별히 중요한 안전상의 주의사항을 표시합니다. 만약 지키지 않으면 심각한 부상을 당하거나 사망할 수도 있습니다.

주의
이 기호는 특별히 중요한 안전상의 주의사항을 표시합니다. 만약 지키지 않으면, 심각한 부상 또는 물적 손실을 입을 수 있습니다.

지침
유용한 사용정보 및 적용 지침 참조용

1.2 그림의 설명과 그밖의 지침

경고 표시



일반적인 위험에 대한 경고



위험한 고전압에 대한 경고



부식성 물질에 대한 경고

보호용구 표시



보안경 착용



안전모 착용



귀마개 착용



보호장갑 착용



보호 마스크 착용

기호



사용하기 전에
사용설명서를
읽으십시오



폐기물을 재활용
하십시오



V



직류

n_0

무부하 회전속도

/min

분당 회전수

ko

제품의 일련번호

제품명은 형식 라벨에, 그리고 제품의 일련 번호는 모터 하우징의 측면에 적혀 있습니다. 이 자료를 귀하의 사용설명서에 기록해 놓은 다음, 해당 지사 또는 서비스 부서에 문의할 때, 사용설명서에 표기해 두신 공구명과 일련 번호를 사용해 주십시오.

모델:

세대: 01

일련번호:

2 설명

2.1 규정에 맞게 사용

SIW 22T-A는 휴대가 가능한 충전식 임팩트 렌치입니다. 기기는 스크류 너트, 볼트, 앵커 및 나사못 조이기 및 풀기에 적합합니다. 건강에 해로운 물질 (예, 석면)에서 작업해서는 안됩니다.

국가에서 규정한 작업시 안전 유의사항에 주의하십시오.

배터리를 명시되지 않은 다른 기기의 에너지 공급원으로서 사용하지 마십시오.

기기를 변조하거나 개조해서는 절대로 안됩니다.

부상의 위험을 방지하기 위해, Hilti 순정품 액세서리와 공구만을 사용하십시오.

기기를 정확하게/특별히 정의된 토크를 필요로 하는 작업용으로 사용해서는 안됩니다. 특정 토크가 요구되는 또는 최대 토크를 초과해서는 안되는 작업용으로 기기를 사용할 경우, 과회전 될 위험이 있으며 스크류 또는 작업중인 재료가 손상될 수 있습니다. 이러한 작업에서는 토크를 정확하게 조정할 수 있는 기기를 사용해야 합니다.

사용설명서에 있는 작동, 관리 그리고 수리에 대한 정보에 유의하십시오.

기기는 전문가용으로 규정되어 있으며, 허가받은, 자격이 있는 작업자에 의해서만 조작, 정비 그리고 수리되어야 합니다. 이 기술자는 발생할 수 있는 위험에 대해 특별 교육을 받은 상태여야 합니다. 교육을 받지 않은 사람이 기기를 부적절하게 취급하거나 규정에 맞지 않게 사용할 경우에는, 기기와 그 관련기기에 의해 부상을 당할 위험이 있습니다.

작업장은 공사장, 정비공장, 수리, 개조 그리고 신축현장일 수 있습니다.

2.2 척 아답타

반구를 포함한 1/2" 수나사-척 아답타

핀 잠금장치를 포함한 3/4" 수나사-척 아답타

2.3 스위치

컨트롤 스위치 (회전속도 전자제어기능 포함)

정회전/역회전 스위치, 스위치ON로크 포함

2.4 공급내역 (공구박스 타입):

- 1 기기
- 1 사용설명서
- 1 Hilti 공구 박스

2.5 공급내역 (골판지 패키징 타입):

- 1 기기
- 1 사용설명서

2.6 공구 작동을 위해 추가로 필요한 것

배터리 패키지 B 22/2.6 Li-Ion 또는 B 22/3.3 Li-Ion, 충전기 C4/36-90 또는 C4/36-350 또는 C 4/36 또는 C 4/36-ACS 또는 C 4/36-ACS TPS 포함.

2.7 Li-Ion 배터리의 충전상태 표시기 및 과열 표시기

LED 상시 점등	LED 점멸	충전상태 C
LED 1, 2, 3, 4	-	$C \geq 75 \%$
LED 1, 2, 3	-	$50 \% \leq C < 75 \%$
LED 1, 2	-	$25 \% \leq C < 50 \%$
LED 1	-	$10 \% \leq C < 25 \%$
-	LED 1	$C < 10 \%$
-	LED 1	배터리 과열

2.8 공구의 과부하 표시기 및 과열 표시기

공구에는 전자식 과부하 방지 기능과 과열방지장치가 갖추어져 있습니다. 과부하 및 과열시 공구가 자동으로 꺼집니다. 컨트롤 스위치에서 손을 떼었다가 다시 누르면, 스위치ON 지연(공구의 냉각 단계) 상태로 할 수 있습니다.

LED 상시 점등	LED 깜박거림	공구 상태
-	LED 1, 2, 3, 4	공구 과부하 또는 과열

3 액세서리

명칭	표시
소켓	S-NSD 및 SV
Li-Ion 배터리용 충전기	C 4/36
Li-Ion 배터리용 충전기	C 4/36-ACS
Li-Ion 배터리용 충전기	C 4/36-ACS TPS
Li-Ion 배터리용 충전기	C 4/36-90
Li-Ion 배터리용 충전기	C 4/36-350
Li-Ion 배터리 팩	B 22/3.3 Li-Ion
Li-Ion 배터리	B 22/2.6 Li-Ion
배터리 팩	B 22/1.6 Li-Ion
벨트후크	

4 기술자료

기술적인 사양은 사전 통고없이 변경될 수 있음!

기기	SIW 22T-A 1/2"	SIW 22T-A 3/4"
정격 전압 (직류전압)	21.6 V	21.6 V
EPTA-Procedure 01/2003에 따른 무게	3 kg	3.2 kg
크기 (L x W x H)	232 mm x 94 mm x 258 mm	251 mm x 94 mm x 258 mm
무부하속도	0...2,000/min	0...2,000/min
타격 속도	최대 2,500 1/min	최대 2,500 1/min
토크	450 Nm	450 Nm
표준 볼트	M12 ~ M24	M12 ~ M24

기기	SIW 22T-A 1/2"	SIW 22T-A 3/4"
고장력 볼트	M8 ~ M16	M8 ~ M16
척 아답타	반구를 포함한 1/2" 수나사	3/4" 외부사각, 로킹핀 포함
회전속도 제어	전자식, 컨트롤 스위치를 통해	전자식, 컨트롤 스위치를 통해
정회전/역회전	작동 중에 스위칭을 방지하기 위한 인터록 기능의 전기 스위치	작동 중에 스위칭을 방지하기 위한 인터록 기능의 전기 스위치
과방전 방지	있음	있음

지침

소음에 대한 정보(EN 60745-1에 의거 측정):

기기	SIW 22T-A 1/2"	SIW 22T-A 3/4"
평균 A-가중 소음 수준	108 dB (A)	111 dB (A)
평균 A-가중 음압 수준	97 dB (A)	100 dB (A)
명시된 소음수준에 대한 허용공차	3 dB (A)	3 dB (A)

지침

이 지침에 제시된 진동 수준은 EN 60745에 따른, 표준화된 측정방법을 이용하여 측정된 것이며, 전동공구 상호 간의 비교에 사용할 수 있습니다. 진동 수준은 진동 부하의 사전 예측용으로 유용하게 사용할 수 있도록 설계되어 있습니다. 제시된 진동 수준은 주로 전동공구의 사용시 진동을 나타냅니다. 하지만 전동공구를 다른 용도로 사용하거나, 다른 공구 비트를 사용하거나 유지보수를 충분히 하지 않은 상태에서는 진동 수준에 편차가 있을 수 있습니다. 이 경우, 전 작업시간에 걸쳐 진동 부하가 현저하게 상승될 수 있습니다. 진동 부하를 정확하게 평가하기 위해서는, 전동공구가 스위치 OFF되어 있거나 또는 작동 중이지만 실제로는 사용하지 않는 시간도 고려해야 합니다. 이는 전체 작업시간에 걸쳐 진동 부하를 현저하게 감소시킬 수 있습니다. 사용자를 보호하기 위해 진동이 작용하기 전에 예를 들면 다음과 같이 추가적인 안전 조치를 취하십시오: 전동공구와 공구 비트의 유지보수, 손을 따뜻하게 유지, 작업순서 정하기

ko

EN 60745에 의한 추가 정보

3축 진동값 (진동-벡터 합)	EN 60745-2-2에 따라 측정
공구 1/2"에 대한 최대 크기 고정 요소 임팩트 렌치, a _h	14.5 m/s ²
공구 3/4"에 대한 최대 크기 고정 요소 임팩트 렌치, a _h	14.2 m/s ²
허용공차 (K)	1.5 m/s ²

배터리	B 22/3.3 Li-Ion	B 22/2.6 Li-Ion	B 22/1.6 Li-Ion
정격 전압	21.6 V	21.6 V	21.6 V
배터리 용량	3.3 Ah	2.6 Ah	1.6 Ah
무게	0.78 kg	0.78 kg	0.48 kg
온도 감시기 충전	있음	있음	있음
온도 감시기 방전	있음	있음	있음
셀 형식	Li-Ion	Li-Ion	Li-Ion
셀 개수	12 개	12 개	6 개
에너지량	71.28 Wh	56.16 Wh	34.56 Wh

5 안전상의 주의사항

지침

다음 장에서 안전상의 주의사항은 사용설명서 기준에 따라 준수해야 하는 전동공구에 대한 일반적인 안전지침을 포함하고 있습니다. 주의사항에는 이 공구와 관련이 없는 내용이 포함되어 있을 수 있습니다.

5.1 전동공구에 대한 일반적인 안전상의 주의사항

a) 경고

모든 안전상의 주의사항과 지침을 읽으십시오. 안전상의 주의사항과 지침을 준수하지 않을 경우, 화재 위험이 있으며 감전 그리고/ 또는 중상을 입을 수 있습니다. 앞으로 모든 안전상 주의사항과 지침을 보관하십시오. 안전상 주의사항에서 사용되는 "전동 공구"라는 개념은 전원에 연결하여 사용하는 전동 공구(전원 케이블 있음)와 배터리를 사용하는 전동 공구(전원 케이블 없음)를 의미합니다.

5.1.1 작업장 안전수칙

- a) 작업장을 항상 깨끗이 하고 조명이 잘 들도록 하십시오. 어수선한 작업환경 또는 어두운 작업장은 사고를 초래할 수 있습니다.
- b) 인화성 액체, 가스 또는 먼지가 있어 폭발 위험이 있는 환경에서는 전동공구를 사용하지 마십시오. 전동공구는 먼지나 증기를 점화시킬 수 있는 스파크를 일으킵니다.
- c) 전동공구를 사용할 때, 어린이들이나 다른 사람들이 작업장에 접근하지 못하도록 하십시오. 다른 사람들이 방해하면 기기에 대한 통제를 하기 어렵습니다.

5.1.2 전기에 관한 안전수칙

- a) 전동공구의 플러그가 소켓에 잘 맞아야 합니다. 플러그를 절대 변형시켜서는 안됩니다. 접지된 전동공구와 함께 아답타 플러그를 사용하지 마십시오. 변형되지 않은 플러그와 적합한 소켓을 사용하면 감전의 위험을 줄일 수 있습니다.
- b) 파이프, 히터, 전기레인지, 냉장고와 같은 접지 표면에 신체 접촉을 피하십시오. 신체에 닿을 경우 감전될 위험이 높습니다.
- c) 전동공구가 비에 맞지 않도록 하고 습한 장소에 두지 마십시오. 전동공구에 물이 들어가면 감전될 위험이 높습니다.
- d) 케이블만을 잡고 전동공구를 운반하거나 걸어 놓아서는 안되며, 소켓에서 전원 플러그를 빼낼 때 케이블만을 잡은 채로 빼내지 마십시오. 전원 케이블이 열, 오일, 날카로운 모서리 또는 기기의 가동부위에 접촉하지 않도록 주의하십시오. 손상되거나 영킨 전원 케이블은 감전 위험을 높입니다.
- e) 실외에서 전동공구를 이용하여 작업할 때, 실외용으로 승인된 연장 케이블만을 사용하십시오. 실외용 연장 케이블을 사용하면 감전의 위험을 줄여줍니다.
- f) 전동공구를 습한 환경에서 부득이하게 사용해야 할 경우, 누전 차단기를 사용하십시오. 누전 차단기를 사용하면 감전 위험을 줄일 수 있습니다.

5.1.3 사용자 안전수칙

- a) 신중하게 작업하십시오. 작업에 정신을 집중하고 전동공구를 사용할 때 경솔하게 행동하지 마십시오. 피로한 상태 또는 약물 복용 및 음주 후에는 전동공구를 사용하지 마십시오. 전동공구 사용 시 잠시라도 주의를 소홀히 할 경우 중상을 입을 수 있습니다.
- b) 안전 장비를 갖추고 보안경을 착용하십시오. 전동공구의 종류와 사용에 따라, 먼지 보호 마스크, 미끄럼 방지용 안전 신발, 안전모 또는 귀마개 등과 같은 안전한 보호장비를 착용하면 부상의 위험을 줄일 수 있습니다.
- c) 실수로 기기가 작동하지 않도록 주의하십시오. 전동공구를 전원 그리고/ 또는 배터리에 연결하기 전, 보관 또는 운반 전에 전동공구가 스위치 OFF 상태인지 확인하십시오. 전동공구 운반 시 스위치에 손가락을 대거나 스위치가 켜진 상태에서 전원을 연결하면 사고를 유발할 수 있습니다.
- d) 전동공구의 스위치를 켜기 전, 조정공구 또는 렌치를 제거하십시오. 기기 회전부에 남아있는 공구나 렌치로 인해 부상을 입을 수 있습니다.
- e) 작업시 비정상적인 자세는 피하십시오. 안전한 작업자세가 되도록 하고, 항상 균형을 유지하십시오. 이렇게 하여 예기치 않은 상황에서도 전동공구를 잘 제어할 수 있습니다.
- f) 적합한 작업복을 착용하십시오. 헐렁한 복장이나 장식품을 착용하지 마십시오. 작동하는 기기 가동 부위에 머리, 옷 그리고 장갑이 가까이 닿지 않도록 주의하십시오. 헐렁한 복장, 장식품 혹은 긴 머리가 가동부위에 말려 들어갈 수 있습니다.
- g) 먼지 제거장치나 수거장치를 설치할 수 있는 기기의 경우, 이 장치들이 연결되어 있는지 그리고 제대로 작동되는지를 확인하십시오. 먼지 포집장치 사용은 먼지로 인한 위험을 줄여줄 수 있습니다.

5.1.4 전동공구의 취급과 사용

- a) 기기에 과부하가 걸리지 않도록 하십시오. 귀하의 작업에 적합한 전동공구를 사용하십시오. 적합한 전동공구를 사용하면, 지정된 성능 한도 내에서 더 효율적으로 안전하게 작업할 수 있습니다.
- b) 스위치가 고장난 전동공구는 사용하지 마십시오. 스위치가 작동되지 않는 전동공구는 위험하므로, 반드시 수리를 해야 합니다.
- c) 기기 세팅을 실행, 액세서리를 교환 또는 기기를 보관하기 전에, 커넥터를 전원소켓에서 그리고/ 또는 배터리를 기기에서 빼놓으십시오. 이러한 조치는 실수로 전동공구가 작동하지 않도록 방지합니다.
- d) 사용하지 않는 전동공구는 어린이들의 손이 닿지 않는 곳에 보관하십시오. 기기 사용에 익숙치 않거나 또는 이 안전수칙을 읽지 않은 사람은 기기를 사용해서는 안됩니다. 비숙련자가 전동공구를 사용하면 위험합니다.
- e) 전동공구를 유의해서 관리하십시오. 기기의 가동 부위가 완벽하게 작동하는지, 끼어 있지 않은지, 혹은 부품이 손상되거나 파손되어 있어 전동공구의 기능을 저하시키지 않는지 점검하십시오. 기기 사용 전 손상된 부품을 수리하도록 하십시오. 제대로 관리되지 않은 전동공구는 많은 사고를 유발합니다.
- f) 절단기기는 날카롭고 깨끗하게 관리하십시오. 날카로운 절단면이 있고 잘 관리된 절단기기는 끼이는 경우가 드물고 조절하기도 쉽습니다.
- g) 본 지침에 따라 전동공구, 액세서리, 공구비트 등을 사용하십시오. 이 때 작업 조건과 실시하려는 작업 내용을 고려하십시오. 원래 사용 분야가 아닌 다른 작업에 전동공구를 사용할 경우, 위험한 상황을 초래할 수 있습니다.

ko

5.1.5 배터리 공구의 취급과 사용

- a) 제조회사가 권장한 충전기에만 배터리를 충전시키십시오. 특정한 형식의 배터리를 사용하도록 규정되어 있는 충전기에 다른 배터리를 사용할 경우 화재 발생의 위험이 있습니다.
- b) 전동공구에 적합하게 규정된 배터리만 사용하십시오. 다른 배터리를 사용하면 부상을 입을 수 있고, 화재가 발생할 수 있습니다.
- c) 배터리를 사용하지 않을 경우 클립, 동전, 키, 못, 나사 또는 다른 소형 금속 물질로부터 사용하지 않는 배터리를 멀리 떨어뜨려 놓아주십시오. 배터리 간 단락으로 인한 연소 또는 화재를 초래할 수 있습니다.
- d) 잘못 사용할 경우, 배터리로부터 전해액이 흘러나올 수 있습니다. 전해액을 직접 만지지 마십시오. 실수로 만졌을 경우, 물로 씻으십시오. 전해액이 눈에 들어갔으면, 의사와 상담하십시오. 배터리로부터 흘러나온 전해액은 피부를 손상시킬 수 있으며, 화재를 발생시킬 수 있습니다.

5.1.6 서비스

- a) 전동공구는 반드시 자격을 갖춘 전문 기술자에 의해 그리고 순정 대체부품만을 이용하여 수리해야 합니다. 이렇게 하여 전동공구의 안전성을 계속해서 유지할 수 있습니다.

5.2 안전상 추가 주의사항

5.2.1 사용자에게 대한 안전수칙

- a) 숨겨진 전선에 기기가 접촉할 수 있는 작업을 실행할 경우, 항상 기기의 절연된 손잡이 부분을 잡으십시오. 전류가 흐르는 전선과 볼트가 접촉하면 전동공구의 금속 부위를 통해 또한 감전이 될 수 있습니다.
- b) 귀마개를 착용하십시오. 소음은 청각 상실을 유발할 수 있습니다.
- c) 먼지를 발생시키는 작업을 할 때, 먼지 제거장치 없이 기기를 작동시킬 경우에는 보호 마스크를 착용해야 합니다.
- d) 손가락의 혈액순환이 잘 되도록 하기 위해, 휴식시간동안 손가락 운동을 하십시오.
- e) 회전하는 부품을 접촉하지 않도록 하십시오. 기기를 작업장으로 가져온 후에 기기의 스위치를 켜십시오. 회전하는 부품들, 특히 회전하는 공구들에 접촉하면 부상을 당할 수 있습니다.
- f) 기기의 수송 또는 보관시에 스위치 ON로크를 활성화하십시오 (정회전/역회전 스위치를 중간위치에).
- g) 어린이에게 기기를 가지고 놀아서는 안된다는 것을 반드시 지시해야 합니다.
- h) 기기는 어린이나 몸이 약한 사람이 어떠한 지시없이 사용하도록 규정되어 있지 않습니다.
- i) 납이 함유된 도료, 일부 목재, 광물질 및 금속과 같은 물질로부터 나오는 먼지는 건강에 해로울 수 있습니다. 먼지를 흡입하거나 만지면 사용자 또는 근처에 있는 사람이 기관지 질병이나

알레르기 반응을 일으킬 수 있습니다. 떡갈나무 먼지 또는 너도밤나무 먼지와 같은 특정 종류의 먼지는, 특히 목재를 처리하기 위해 사용하는 첨가제(크롬산염, 목재 부식 방지제)와 함께 암을 일으킬 수 있습니다. 석면 물질은 전문가만이 처리해야 합니다. 가능한 한 먼지 포집장치를 사용하십시오. 먼지 흡인율을 극대화 시키기 위해서는, 이 전동공구에 적합하게 설계된, 목재 그리고/또는 광물질 먼지를 흡인하는, Hilti가 권장하는 오리지널 이동식 먼지흡인기를 사용하십시오. 작업공간을 충분히 환기시키십시오. 필터 등급 P2의 보호 마스크를 착용할 것을 권장합니다. 가공할 재료에 적용되는, 국가별 규정에 유의하십시오.

5.2.2 전동공구의 올바른 사용방법과 취급방법

- 작업중인 물체를 고정시키십시오. 작업중인 재료 (물체)를 움직이지 않게 고정시키기 위해, 클램프 또는 바이스를 사용하십시오. 그렇게 함으로써 손으로 고정하는 것보다 더 안전하게 고정할 수 있을 뿐만 아니라, 양손을 공구 조작에 자유롭게 사용할 수 있습니다.
- 드릴 비트가 기기에 적합한 척 시스템인지를 확인한 다음, 척 아답타에 정확하게 고정되도록 확실하게 하십시오.
- 스크류와 작업중인 재료가 기기로부터 생성되는 토크에 적합한지 확인하십시오. 과도한 토크로 인해 스크류 또는 작업중인 재료에 과부하가 걸리거나 팽창 또는 손상될 수 있고, 이로 인해 위험한 상황을 초래하거나 또는 부상을 입을 수 있습니다.

ko

5.2.3 배터리식 공구의 올바른 사용방법과 취급방법

- 배터리를 고열 및 화염 근처에 두지 마십시오. 폭발위험이 있습니다.
- 배터리 팩을 분해 또는 강한 압력이나 80°C 이상의 열을 가하거나 연소해서는 안됩니다. 그렇지 않을 경우 화재 및 폭발, 부식의 위험이 있습니다.
- 해당 기기용으로 허용된 배터리외에는 사용하지 마십시오. 다른 배터리 사용시 또는 다른 목적으로 배터리를 사용할 경우에는 화재 및 폭발 위험이 있습니다.
- Li-Ion 배터리의 사용, 보관, 이송에 대한 특수 지침에 유의하십시오.
- 손상된 배터리 (예를 들면 배터리에 균열, 부러진 부분이 있거나, 접점이 휘었거나 뒤로 밀렸거나 그리고/ 또는 당겨짐)는 충전해서도 안되고 계속해서 사용해서도 안됩니다.
- 배터리 팩이 다루기에 너무 뜨거운 경우, 고장일 수 있습니다. 기기를 가연성 소재와 충분한 간격을 유지하면서, 관찰이 가능한, 비연소 장소에 설치하고 기기를 냉각시키십시오. 배터리 팩 냉각 후 Hilti 서비스센터에 문의하십시오.

5.2.4 전기에 관한 안전수칙



작업을 시작하기 전에, 예를 들면 금속 탐지기를 이용하여 작업장에서 가려져 있거나 덮혀 있는 전기 배선, 가스 파이프 그리고 하수도관이 있는지를 점검하십시오. 예를 들면 실수로 전기 배선을 손상시켰을 때, 공구 외부의 금속부분에 전기가 흐를 수 있습니다. 이는 전기 쇼크로 인한 심각한 위험이 발생할 수 있음을 의미합니다.

5.2.5 작업장

- 작업장의 조명을 충분히 밝게 하십시오.
- 작업장을 충분히 환기시키십시오. 환기가 잘 되지 않는 작업장에서는 먼지때문에 건강에 해를 입을 수 있습니다.

5.2.6 개인 보호장비



사용자와 그 주변에 있는 사람들은 기기를 사용하는 동안, 반드시 적합한 보안경, 안전모, 귀마개, 보호장갑 그리고 보호 마스크를 착용해야 합니다.

6 사용전 준비사항



6.1 배터리를 조심스럽게 취급

지침

온도가 낮을 때에는 배터리의 성능이 떨어집니다. 셀이 완전 방전될 때까지, 배터리를 사용하지 마십시오. 제때에 제2의 배터리로 교환하십시오. 다음 교환을 위해 배터리를 즉시 다시 충전하십시오. 배터리를 가능한 한 시원하고 건조한 곳에 보관하십시오. 배터리를 직사광선에 노출된 곳이나 난방기구 근처 또는 유리 뒤에 놓지 마십시오. 수명이 끝난 배터리는 환경보호대책에 따라 안전하게 폐기처리해야 합니다.

ko

6.2 배터리 충전



주의

"공구, 액세서리"에 제시되어 있는, 규정된 Hilti 충전기만을 사용하십시오.

6.2.1 새 배터리 최초 충전

최초로 사용하기전에 배터리를 완전히 충전하십시오.

6.2.2 사용한 배터리 충전

배터리를 해당 충전기에 삽입하기 전에, 배터리의 외부를 깨끗하고 건조하게 하십시오.

충전을 시작하기 전에 충전기 사용설명서를 읽으십시오.

Li-Ion 배터리는 언제든지, 부분적으로 충전된 상태에서도 사용할 수 있습니다. 충전진행과정은 LED를 통해 디스플레이됩니다 (충전기 사용설명서 참조).

6.3 배터리 장착

주의

배터리를 끼우기 전에 공구의 스위치가 꺼져 있는지와 스위치 ON로크가 활성화되어 있는지를 확인하십시오 (정회전/역회전 스위치를 중간위치에). 귀하의 공구에는 허용된 Hilti 배터리만을 사용하십시오.

주의

배터리를 기기 안에 삽입하기 전에 배터리-접점과 기기 내의 접점에 이물질이 없는지 확인하십시오.

1. 뒤쪽에서부터, 스톱위치에서 "더블 클릭" 소리가 들릴 때까지 배터리를 기기에 밀어넣으십시오.
2. 주의 배터리가 올바르게 장착되지 않은 경우, 작업 중 분리되어 떨어질 수 있습니다.
주의 배터리가 빠질 경우 본인과 다른 사람이 다칠 수 있습니다. 작업 시작 전에 기기에 배터리가 올바르게 장착되었는지 점검하십시오.

6.4 배터리 제거 2

1. 양쪽 잠금해제 버튼을 누르십시오.
2. 배터리를 공구로부터 뒤쪽으로 당기십시오.

6.5 배터리의 운반 및 보관

배터리를 로크 위치(작업위치)에서 빼내고 최초 래치 위치(운반위치)에 끼우십시오.

배터리를 운반 또는 보관을 위해 기기로부터 분리할 경우, 배터리 접점이 단락되지 않도록 유의하십시오. 느슨한 금속부품(예: 공구 박스 또는 운반용 케이스에 있는 볼트, 못, 클립, 느슨한 나사, 철사 또는 금속 칩)을 제거하거나 배터리와 접촉하지 않도록 하십시오.

배터리 운송시(육로수송, 철도수송, 해상수송 또는 항공수송) 국내 및 해외 운송규정에 유의하십시오.

7 작동법



7.1 비트 교환

ko 지침

본 기기에는 공구를 고정시키기 위한 반구를 포함한 1/2" 수나사-척 아답타 또는 핀 잠금장치를 포함한 3/4" 수나사-척 아답타가 장착되어 있습니다.

7.1.1 반구를 포함한 1/2" 수나사 공구 교환

지침

렌치 소켓의 측면 구멍을 척 아답타의 반구에 맞추십시오. 그렇지 않을 경우 공구가 저절로 풀릴 수 있습니다.

7.1.1.1 렌치 소켓(공구) 조립 3

1. 정회전/역회전 스위치를 중간위치로 조정하거나 또는 배터리를 기기로부터 분리하십시오.
2. 렌치 소켓의 측면 구멍을 척 아답타의 반구에 맞추십시오.
3. 렌치 소켓이 척 아답타에 완전히 삽입될 때까지 렌치 소켓을 누르십시오.

7.1.1.2 렌치 소켓(공구) 탈거 4

1. 정회전/역회전 스위치를 중간위치로 조정하거나 또는 배터리를 기기로부터 분리하십시오.
2. 너트를 척 아답타에서 빼내십시오.

7.1.2 핀 잠금장치를 포함한 3/4" 수나사 공구 교환

7.1.2.1 렌치 소켓(공구) 조립 5

1. 정회전/역회전 스위치를 중간위치로 조정하거나 또는 배터리를 기기로부터 분리하십시오.
2. O-링을 소켓의 홈에서 제거하십시오.
3. 로킹핀을 당겨서 빼십시오.
4. 소켓을 기기의 4각 드라이브 위에 끼우십시오.
지침 4각 드라이브와 소켓의 로킹핀 천공이 일치하도록 유의하십시오.
5. 먼저 로킹핀을 장착한 다음에 O-링을 다시 고정시키기 위해 소켓에 장착하십시오.

7.1.2.2 렌치 소켓(공구) 탈거 6

1. 정회전/역회전 스위치를 중간위치로 조정하거나 또는 배터리를 기기로부터 분리하십시오.
2. O-링을 소켓의 홈에서 제거하십시오.
3. 로킹핀을 당겨서 빼십시오.
4. 기기의 4각 드라이브에서 소켓을 제거하십시오.
5. 먼저 로킹핀을 장착한 다음에 O-링을 다시 고정시키기 위해 소켓에 장착하십시오.

7.2 정회전/역회전 조정 7

지침

정회전/역회전 스위치는 회전방향을 선택하는데 사용합니다. 잠금기능은 모터가 작동하는 동안 절환되는 것을 방지합니다. 중간위치에서는 컨트롤 스위치가 블로킹됩니다. 정회전/역회전

스위치 우측(공구의 작동방향)으로 밀니다 = 정회전. 정회전/역회전 스위치 좌측(공구의 작동방향)으로 밀니다 = 역회전.

7.3 스위치 ON/OFF

컨트롤 스위치를 서서히 눌러 회전속도를 최소에서 최대사이에서 무단계로 선택할 수 있습니다.

7.4 스크류 작업

경고

스크류와 작업중인 재료가 기기로부터 생성되는 토크에 적합한지 확인하십시오. 과도한 토크로 인해 스크류 또는 작업중인 재료에 과부하가 걸리거나 팽창 또는 손상될 수 있고, 이로 인해 위험한 상황을 초래하거나 또는 부상을 입을 수 있습니다.

정회전/역회전 스위치로 원하는 회전방향을 선택하십시오.

7.5 Li-Ion 배터리 팩 충전상태를 읽으십시오 8

지침

작업을 하는 동안 충전상태를 확인하는 것은 불가능합니다. LED 1이 점멸하면, 배터리의 완전한 방전 또는 배터리의 과열 (온도 >80°)을 의미합니다. 이런 경우에는 배터리를 충전기에 끼워야 합니다. 4개의 모든 LED가 깜박거리면 공구가 과부하 또는 과열되었음을 나타냅니다.

Li-Ion 배터리는 충전상태 디스플레이를 통해 사용가능 여부를 확인할 수 있습니다. 충전하는 동안 배터리 디스플레이를 통해 충전상태가 나타납니다 ("Li-Ion 배터리 팩 충전상태"장 참조). 비작동상태에서, 배터리에 있는 로크버튼을 누른 후, 3초 동안 4개의 LED를 통해 충전상태가 지시됩니다.

ko

7.6 벨트후크 9

주의

작업 시작 전 벨트 후크가 확실하게 고정되었는지 점검하십시오.

벨트 후크로 기기를 신체에 밀착시켜 벨트에 고정시킬 수 있습니다. 그 외에도 벨트 후크는 왼손잡이 사용자를 위해 기기의 다른 쪽으로 변경이 가능합니다.

1. 배터리 팩을 기기에서 당겨 빼십시오.
2. 볼트 체결판을 위에서 지시한 대로 끼웁니다.
3. 벨트 후크를 두 개의 볼트로 고정시킵니다.

8 관리와 유지보수

주의

청소작업을 시작하기 전에, 부주의로 인해 기기가 작동하지 않도록 하기 위해, 배터리를 제거하십시오!

8.1 삽입공구의 관리

고착되어 있는 오염물질을 제거하고, 오일을 묻힌 걸레로 그때그때 문질러 공구의 표면이 부식되지 않도록 하십시오.

8.2 기기 관리

주의

기기를, 특히 손잡이 부분이 건조한 상태로 있게 하고, 깨끗하고 오일과 그리스가 묻어있지 않도록 하십시오. 실리콘이 함유된 표면보호제를 사용하지 마십시오.

기기의 바깥쪽 케이스는 내충격성의 플라스틱으로 제작되었습니다. 손잡이 부분은 탄성 재료로 만들어져 있습니다.

환기 슬롯이 막힌 상태에서는 기기를 작동시키지 마십시오! 마른 솔로 환기 슬롯을 조심스럽게 청소하십시오. 이물질이 기기 내부로 들어가지 않도록 하십시오. 약간 물기가 있는 천으로 기기 외부를 정기적으로 청소해 주십시오. 청소할 때 스프레이 기구, 스팀 클리너 또는 흐르는 물을 사용해서는 안됩니다! 이러한 것들을 사용할 경우, 기기의 전기적 안전이 위험에 처할 수 있습니다.

8.3 리튬 이온 배터리 관리

습기가 유입되는 것을 피하십시오.

최초로 사용하기전에 배터리를 완전히 충전하십시오.

배터리의 최대 수명을 유지하기 위해서는, 공구의 성능이 현저하게 떨어지는 즉시 더이상 방전시키지 마십시오.

지침

공구를 계속해서 작동할 경우, 배터리 셀이 손상될 가능성이 있으면, 방전은 자동으로 종료되고 배터리의 LED 1이 깜박거립니다.

배터리를 리튬 이온 배터리용으로 승인된 Hilti-충전기를 이용하여 충전하십시오.

지침

- NiCd 또는 NiMH에서 만큼 배터리의 재충전이 필요하지는 않습니다.
- 충전을 중간에 중단해도 배터리의 수명에 큰 영향을 미치지 않습니다.
- 배터리 수명에 영향을 주지 않고, 언제든지 충전을 다시 시작할 수 있습니다. NiCd 또는 NiMH에서처럼 메모리 현상은 없습니다.
- 배터리는 완전히 충전된 상태로 가능한 한 시원하고 건조한 장소에 보관하는 것이 좋습니다. 주위온도가 높은 곳 (창문 뒤)에 배터리를 보관하는 것은 부적절하고, 배터리의 수명에 영향을 미치며, 셀의 자기방전율을 증가시킵니다.
- 노화 또는 과부하로 인해 배터리의 용량이 떨어지면, 배터리가 완전히 충전되지 않습니다. 이러한 배터리를 이용해서도 작업은 가능하지만, 배터리를 제때에 새것으로 교체하는 것이 좋습니다.

8.4 수리

경고

전기 부품은 반드시 전기 기술자가 수리하도록 해야 합니다. 기기의 모든 외부 부품에 손상이 있는지 그리고 모든 조작요소들이 완벽하게 작동하는지를 정기적으로 점검하십시오. 부품이 손상되었거나 조작요소들이 완벽하게 작동하지 않을 경우에는 기기를 작동시키지 마십시오. Hilti 서비스 센터에 수리를 의뢰하십시오.

ko

8.5 관리/수리작업 후, 점검

관리/수리작업 후에는, 모든 보호기구가 설치되어 있으며 고장없이 작동하는지의 여부를 점검해야 합니다.

9 고장진단

고장	예상되는 원인	대책
공구가 작동하지 않음.	배터리가 완전히 끼워져 있지 않거나 또는 배터리가 방전됨.	배터리를 밀어 넣을 때 "이중으로 찰칵하는" 소리가 나야 합니다 또는 배터리를 충전해야 합니다.
	전기적 고장.	배터리를 기기에서 제거하고 Hilti 서비스에 문의하십시오.
공구가 작동하지 않고 LED 10이 깜박거림.	배터리가 방전됨.	배터리를 교환하고 방전된 배터리를 충전하십시오.
	배터리가 과열 또는 과냉.	배터리를 권장된 작동온도 상태로 유지합니다.
기기가 작동하지 않고 4개의 LED가 모두 점멸합니다.	공구가 잠시 과부하됨.	컨트롤 스위치에서 손을 뗐다가 다시 누릅니다.
	과열방지장치가 활성화됨.	기기를 냉각시키십시오. 환기 홈 청소.
ON/OFF 스위치를 누를 수가 없음 또는 블로킹됨.	정회전/역회전 스위치가 중간위치에 있음 (이동위치)	정회전/역회전 스위치를 좌측 또는 우측으로 밀니다.
회전속도가 갑자기 떨어짐.	배터리가 방전됨.	배터리를 교환하고 방전된 배터리를 충전하십시오.
배터리가 여는 때보다 빨리 방전됨.	배터리 상태가 최적이 아님.	Hilti 서비스센터에 진단 문의 또는 배터리 팩 교체.
배터리를 밀어넣을 때 "이중으로 찰칵하는" 소리가 들리지 않음.	배터리의 고정 러그가 오염됨.	고정 러그를 깨끗이 하고 배터리를 밀어넣으십시오. 문제가 지속될 경우 Hilti 서비스에 연락하십시오.

고장	예상되는 원인	대책
공구 또는 배터리 과열	전기적 결함.	기기를 즉시 스위치 OFF하고, 배터리를 기기에서 제거한 다음, Hilti 서비스에 문의하십시오.
	기기가 과부하됨 (사용 한계 초과).	용도에 맞는 기기 선택.

10 폐기

주의

기기를 부적절하게 폐기처리할 경우, 다음과 같은 결과가 발생할 수 있습니다: 플라스틱 부품을 소각할 때, 인체에 유해한 유독가스가 발생하게 됩니다. 배터리가 손상되거나 또는 과도하게 가열되면 폭발할 수 있고, 이 때 오염, 화상, 산화 또는 환경오염의 원인이 될 수 있습니다. 정확하게 폐기처리하지 않았을 경우 권한이 없는 사람이 기기를 부적절하게 사용할 수 있습니다. 이때 사용자는 자신과 제3자에게 중상을 입힐 수 있고 환경을 오염시킬 수 있습니다.

주의

고장난 배터리는 즉시 폐기하십시오. 이를 어린이들의 손이 닿지 않는 곳에 보관하십시오. 배터리를 분해하거나 소각하지 마십시오.

주의

배터리를 국가별 규정에 따라 폐기처리하거나 또는 폐기된 배터리를 Hilti사로 보내주십시오.

ko



Hilti 기기는 대부분이 재사용 가능한 재료로 제작되었습니다. 또한 재활용을 위해서는 먼저 개별 부품을 분리하십시오. Hilti사는 이미 여러 나라에서 귀하의 오래된 기기를 회수, 재활용이 가능하도록 하였습니다. Hilti의 고객 서비스부나 귀하의 판매회사에 문의하십시오.



EU 국가 용으로만

전동공구를 일반 가정의 쓰레기처럼 폐기해서는 안됩니다!

수명이 다 된 전자공구와 배터리 팩은 전기/전자-노후기계에 대한 EU 규정에 따라 그리고 각 국가의 법규에 명시된 방식에 따라 반드시 별도로 수거하여 친환경적으로 재활용되도록 하여야 합니다.

11 기기 제조회사 보증

Hilti사는 공급된 기기에서 재질상의 결함 또는 제작상의 결함이 없음을 보증합니다. 이러한 보증은 다음과 같은 전제조건하에서만 적용됩니다: Hilti 사용설명서에 제시된 내용대로 기기를 정확하게 사용하고, 취급, 관리, 청소하였어야 하며, 기술적인 통일성이 보장되어야 합니다. 즉 기기에 Hilti사의 순정 소모품, 액세서리 부품 그리고 대체부품만을 사용했어야 합니다.

이러한 보증은 기기의 전체 수명기간 동안 무상 수리 또는 결함이 있는 부품의 무상 교환을 포함하고 있습니다. 정상적으로 마모된 부품들은 이러한 보증에서 제외됩니다.

국가별 강제 규정에 위배되지 않는 한, 그 외의 청구는 할 수 없습니다. 특히 기기를 임의의 목적을 위해 사용하는 것은 불가능하기 때문에, Hilti사는 이러한 사용과 관련된 직접/간접적인 결함 또는 2차적인 손상, 손실 또는 비용에 대해서는 책임을 지지 않습니다. 특정한 목적을 위해 개조하거나 사용하는데 대한 보증은 명확하게 배제됩니다.

수리 또는 교환하기 위해서는, 기기 그리고/또는 해당 부품을 결함이 확인되는 즉시 Hilti의 수리센터로 보내야 합니다.

제시된 보증은 Hilti측의 모든 보증의무를 포함하고 있으며, 이전 또는 현재의 모든 설명, 문서상 또는 구두상의 협정과 관련된 보증을 대체합니다.

12 EG-동일성 표시(오리지널)

명칭:	충전식 임팩트 렌치
모델명:	SIW 22T-A
세대:	01
제작년도:	2013

폐사는 전적으로 책임을 지고 이 제품이 다음과 같은 기준과 규격에 일치함을 공표합니다: EN 60745-1, EN 60745-2-2, 2006/42/EG, 2004/108/EG, 2006/66/EG, 2011/65/EU, EN ISO 12100.

Hilti Corporation, Feldkircherstrasse 100, FL-9494 Schaan



Paolo Luccini
Head of BA Quality and Process
Management
Business Area Electric Tools & Accessories
06/2013



Jan Doongaji
Executive Vice President

Business Unit Power Tools & Accessories
06/2013

기술 문서 작성자:

Hilti Entwicklungsgesellschaft mbH
Zulassung Elektrowerkzeuge
Hiltistrasse 6
86916 Kaufering
Deutschland

ko

原始操作說明

SIW 22T-A 充電式衝擊扳手機

第一次使用機具前，先務必閱讀操作說明。

務必將操作說明和機具放在一起。

將機具交給其他人時，應將操作說明一併轉交。

內容

1	一般使用說明	227
2	產品說明	228
3	配件	229
4	技術資料	229
5	安全說明	230
6	使用前注意事項	233
7	操作	233
8	維護和保養	235
9	故障排除	235
10	廢棄機具處置	236
11	製造商保固 - 機具	236
12	EC歐規符合聲明 (原版)	236

I 號碼會相對於各個圖案，圖案說明可以在封面的內摺頁中找到。詳讀操作手冊時，請將此頁打開。

本操作說明中所稱「機具」指的是含電池之SIW 22T-A充電式衝擊扳手機。

運轉控制及零件 **I**

- ① 夾頭
- ② 控制開關 (附電子轉速控制)
- ③ 帶有運送鎖的正轉 / 逆轉選擇開關
- ④ 帶有其他功能的鬆開鈕 (充電狀態顯示啟動)
- ⑤ 型號識別牌
- ⑥ 充電狀態和故障顯示幕 (鋰電池)
- ⑦ 皮帶掛鉤 (選配)

1 一般使用說明

1.1 安全須知及其意義

危險

用於告知可能會發生對人體造成嚴重傷害甚至死亡的立即性危險情況。

警告

用於告知可能會發生造成人員受傷或死亡之重度危險情況。

注意

用於告知可能會發生造成人員受傷，或造成設備及其他財產損壞的輕度危險情況。

附註

注意操作說明或其他有用的資訊內容。

1.2 圖形符號之說明及其他資訊

警告標誌



一般警告



警告：有電



警告：腐蝕性物質

zh

遵守標誌



配戴護目鏡



配戴安全帽



配戴保護耳罩



配戴防護手套



配戴口罩

符號



使用前請閱讀本
操作說明



廢棄材料回收



伏特



直流電

n_0

無負載下額
定轉速

/min

每分鐘轉數

zh

機具上辨識資料的位置

型號位在型號識別牌而序號則在馬達外殼旁。請在操作說明中記下該資料，並在詢問Hilti代表人員或維修部門時參考該資料。

型號：

產品代別：01

序號：

2 產品說明

2.1 按照指示使用產品

SIW 22T-A為一手持充電式衝擊扳手機。適合作為鎖緊及鬆開螺母、螺絲、安卡及木材螺絲之使用。

不得在會危害人體健康的材料（例如：石棉）上作業。

必須遵守國家工業安全法規。

不得將電池作為其他非指定設備的電源。

不得調整或改裝本機具或其零件。

為避免受傷的危險，僅可使用Hilti原廠配件及彈圈夾具。

本機具不可用於需要明確扭力的用途上。需要明確扭力或僅允許特殊限制的扭力使用情況，便會有旋轉過緊而損壞螺釘或工件的危險。如有此類需要，請使用能預先定義扭力設定的工具以預防旋轉過緊。

請遵守本操作說明書中關於操作、保養及維修資訊。

本機具設計係供專業使用，僅可由受過訓練且經授權的人員操作、修理與維護。必須告知該人員可能遭遇到的任何危險。如果讓未受過訓練的人員以錯誤或違反指示的方式使用機具及其附件，會發生危險。

工作環境可包括：建築工地、工場、翻新、改建或新建。

2.2 夾頭

1/2" 方頭螺桿（附球型凹槽保留機制）

3/4"方頭螺桿（附鎖針）

2.3 開關

具電子轉速控制之控制開關

帶有安全鎖的正轉 / 逆轉選擇開關

2.4 供應項目內容（工具箱版）：

- 1 電動機具
- 1 操作說明
- 1 Hilti工具箱

2.5 供應項目內容（厚紙箱版）：

- 1 電動機具
- 1 操作說明

2.6 其他操作本機具所需項目

B 22/2.6 Li-Ion或B 22/3.3 Li-Ion電池和C436-90、C436-350、C 4/36、C 4/36-ACS或C 4/36-ACS TPS充電器。

2.7 鋰電池充電狀態和過熱指示燈

LED持續亮起	LED閃爍	充電狀態C
LED 1、2、3、4	-	$C \geq 75\%$
LED 1、2、3	-	$50\% \leq C < 75\%$
LED 1、2	-	$25\% \leq C < 50\%$
LED 1	-	$10\% \leq C < 25\%$
-	LED 1	$C < 10\%$
-	LED 1	電池過熱

2.8 機具過載和過熱指示燈

本機具配有電子式保護系統，可以預防過載和過熱。本機具在過載和過熱的情況之下會自動關閉。在鬆開控制開關之後，本機具在再次按下開關後，可能不會馬上重新啟動（當本機具正在冷卻時）。

LED持續亮起	LED閃爍	機具狀態
-	LED 1、2、3、4	機具過載或過熱

3 配件

zh

名稱	簡稱
插座	S-NSD及SV
鋰電池專用充電器	C 4/36
鋰電池專用充電器	C 4/36-ACS
鋰電池專用充電器	C 4/36-ACS TPS
鋰電池專用充電器	C 4/36-90
鋰電池專用充電器	C 4/36-350
電池	B 22/3.3 Li-Ion
電池	B 22/2.6 Li-Ion
電池	B 22/1.6 Li-Ion
皮帶掛鉤	

4 技術資料

保留更改技術資料權利。

機具	SIW 22T-A ½"	SIW 22T-A ¾"
額定電壓（直流電壓）	21.6 V	21.6 V
重量（符合01/2003 EPTA程序）	3 kg	3.2 kg
機具規格（長x寬x高）	232 mm x 94 mm x 258 mm	251 mm x 94 mm x 258 mm
無負載下額定轉速	0...2,000/min	0...2,000/min
衝擊速度	最大 2,500 / 分鐘	最大 2,500 / 分鐘
扭矩	450 Nm	450 Nm
標準螺絲	M12 – M24	M12 – M24
高強度螺絲	M8 – M16	M8 – M16
夾頭	½"方頭起子	¾"方頭螺桿（附鎖針）
轉速控制	電子式，由控制開關控制	電子式，由控制開關控制
正轉 / 逆轉	具聯鎖裝置的電子開關可防止運轉時的開關操作	具聯鎖裝置的電子開關可防止運轉時的開關操作
過量放電保護	有	有

附註

噪音資訊（量測標準依據EN 60745-1）：

機具	SIW 22T-A 1/2"	SIW 22T-A 3/4"
典型A加權聲功率級數	108 dB (A)	111 dB (A)
典型A加權音壓級數	97 dB (A)	100 dB (A)
無法判定的聲功率級數	3 dB (A)	3 dB (A)

附註

本資訊表所提供之震動噪音量已參照EN 60745標準測量，並可用來比較不同機具之噪音。它也可作為噪音量的初步評估。註明之震動噪音量表示機具主要應用時之數值。若機具於不同之用途使用，搭配不同的配件或在保養不良的情況下，其震動噪音有可能有所不同。在作業過程中，這有可能大量提高其噪音量。當機具關閉，或開啟但未進行任何作業時，其震動噪音量也應列入考量。在作業過程中，這有可能大量降低其噪音量。確認其他安全措施，以保護操作員不受震動影響，例如：保養機具與其配件、操作前保持雙手溫暖、作業型式之安排等。

其他資訊 (符合EN 60745)

三軸震動值 (震動向量和)	量測標準依據EN 60745-2-2
1/2"機具最大固定釘衝擊力, a_h	14.5 m/s ²
3/4"機具最大固定釘衝擊力, a_h	14.2 m/s ²
無法判定的 (K)	1.5 m/s ²

電池	B 22/3.3 Li-Ion	B 22/2.6 Li-Ion	B 22/1.6 Li-Ion
額定電壓	21.6 V	21.6 V	21.6 V
電池容量	3.3 Ah	2.6 Ah	1.6 Ah
重量	0.78 kg	0.78 kg	0.48 kg
充電溫度監測	有	有	有
放電溫度監測	有	有	有
電池單元型號	鋰電池	鋰電池	鋰電池
電池單元數	12	12	6
電能	71.28 Wh	56.16 Wh	34.56 Wh

zh

5 安全說明

附註

以下章節中所列的安全規範，包含所有符合各種適用標準下必須列示於操作手冊上的電動機具安全規範。因此，其中可能有些與本機具無關。

5.1 一般電動機具安全警告

a) 警告

請詳閱所有的安全警示及說明。未能遵守以下警示及說明可能會造成電擊事故、火災和 / 或嚴重的傷害。儲存所有警示和說明以供將來參考。注意事項中所稱的「機具」係指使用電源 (有線) 或電池 (無線) 的電動機具。

5.1.1 工作區域安全

- 請保持工作區域的整潔與良好照明。凌亂而昏暗的工作區域容易發生意外。
- 勿在容易發生爆炸的環境中使用機具，例如有可燃性液體、瓦斯或粉塵存在的環境。機具產生的火花可能會引燃塵埃或煙霧。
- 操作機具時，請保持與兒童及旁人的距離。注意力不集中容易發生失控的情形。

5.1.2 電力安全

- 機具插頭與插座須能互相搭配。勿以任何方式改裝插頭。勿將任何變壓器插頭和與地面接觸 (接地) 的電動機具搭配使用。未經改裝的插頭以及能互相搭配的插座可減少發生電擊的危險。
- 避免讓身體碰觸到如散熱器、爐灶與冰箱等與土地或地表接觸之物品。如果您的身體接觸到地表或地面，將增加電擊的危險。
- 勿讓機具暴露在雨中或潮濕的環境。流入機具的水會增加發生電擊事故的危險。
- 勿濫用電纜線。勿以電纜線吊掛、拖拉機具或拔下機具插頭。電纜線應避開熱氣、油、銳利的邊緣或移動性零件。電纜線損壞或纏繞會增加發生電擊事故的危險。

- e) 於室外操作機具時，須使用適用於戶外的延長線。適用於戶外的延長線可降低電擊的危險。
- f) 如果無法避免在潮濕的地點操作機具，請使用漏電斷路器 (RCD) 保護電源供應器。使用漏電斷路器 (RCD) 可降低電擊的風險。

5.1.3 人員安全

- a) 操作機具時，請提高警覺，注意進行中的工作並善用常識。感到疲勞或受到藥物、酒精或治療的影響時勿使用機具。操作機具時稍不留神就可能造成嚴重的人員傷亡。
- b) 佩戴個人防護裝備。請隨時配戴眼罩。適當使用防塵面罩、防滑鞋、安全帽及耳罩等安全防護配備可減少人員的傷害。
- c) 避免不經意的啟動。在接上電源或電池組、抬起或攜帶機具之前，務必確認開關處於關閉的位置。攜帶機具時，如果把手指放在開關上，或在開關開啟時，將機具插上插頭容易發生意外。
- d) 啟動機具前，應將所有調整鑰匙或扳手移開。將扳手或鑰匙留在機具的旋轉零件中可能會造成人員傷害。
- e) 勿將手伸出過遠。隨時站穩並維持平衡。這可讓您在意外情況發生時，對機具有較好的控制。
- f) 穿著適當服裝。請勿穿寬鬆的衣服或配戴珠寶。頭髮、衣服與手套應遠離移動性零件。移動性零件可能會夾到寬鬆的衣服、珠寶或長髮。
- g) 如果機具可連接吸塵裝置與集塵設備，請連接並適當使用這些設備。使用集塵裝置可降低與粉塵有關的危險。

5.1.4 機具的使用與保養

- a) 不可強制使用機具。依據用途使用正確的機具。根據設計的速率使用機具可更快速安全地完成工作。
- b) 機具如果無法利用開關將其開啟及關閉時，請勿使用。任何無法以開關控制的機具都很危險且需要修理。
- c) 在進行任何調整、更換配件、或貯放電動機具前，請先將插頭拔離插座，或將電池匣自電動機具卸下。此預防安全措施可降低機具意外啟動的危險。
- d) 將閒置的機具貯放在兒童拿不到的地方，勿讓不熟悉或未詳閱本說明的人員操作本機具。機具在未經訓練的使用者手中是很危險的。
- e) 維護機具。請檢查移動性零件有無偏移或黏合的情形、零件有無破損，以及任何會影響機具運轉的狀況。如果機具受損，請先修理再使用。很多意外便是由維護不當的機具造成的。
- f) 保持切割機具的銳利與清潔。具銳利切割邊緣的切割機具如果得到適當的維護，便較不會發生黏合的現象，且較容易控制。
- g) 遵守本指示說明使用機具、配件和工具組等，並考量工作條件與待進行的工作。將機具用在原目的外之用途可能會造成危險。

5.1.5 電池機具的使用與保養

- a) 請僅使用製造商指定的充電器充電。將適合特定型號電池的充電器使用於其他電池時，會有引發火災的危險。
- b) 請僅使用機具特別指定的電池匣。使用其他電池匣可能會造成人員傷亡與火災。
- c) 電池匣未使用時，請將其遠離如迴紋針、錢幣、鑰匙、針、固定釘或其他會在電池兩極間形成連結的小型金屬物件。在電池兩極間建立短路會造成灼傷或引起火災。
- d) 若使用不當，可能會有液體由電池流出；請避免接觸該液體。若不慎接觸，請以清水沖洗。如果不小心讓液體接觸到眼睛，請立即尋求醫療援助。從電池中滲出的液體，可能會導致過敏或燙傷。

5.1.6 維修

- a) 請將機具交給合格的維修人員進行維修，並使用相同的替代零件。這可確保維護機具安全。

5.2 其他安全預防措施

5.2.1 人員安全

- a) 當所進行的工作，起子可能會接觸到隱藏配線時，進行操作時請握住機具的絕緣握把。起子若接觸「導電」電線，會導致機具暴露在外金屬零件「導電」，使得操作員遭受電擊。
- b) 請配戴耳罩。暴露於噪音環境下會導致聽力受損。
- c) 在會製造灰塵，且沒有吸塵設備的場所使用機具工作時，請務必佩戴呼吸保護口罩。
- d) 在工作中的休息時間放鬆雙手並運動手指，以改善手指的血液循環。

- e) 避免接觸旋轉中的零件。將機具移到工件位置後再開啟電源。碰觸旋轉零件，特別是旋轉的彈圈夾具，會導致受傷。
- f) 在貯放或運送機具前，請啟用安全鎖（位於中央位置的正轉 / 逆轉開關）。
- g) 必須禁止孩童玩弄本設備。
- h) 本設備非設計供孩童、疲憊不堪或未受過指示與訓練的人員使用。
- i) 像是含鉛塗料、部份木材、礦物與金屬等基材所產生的粉塵可能對人體有害。操作人員與旁觀者接觸或吸入粉塵可能會引起過敏並 / 或造成呼吸系統疾病。像是橡木與山毛櫸木材的粉塵已列為致癌物質，尤其是當它們使用調濕塗料（鉻酸鹽、木材防腐劑）時。包含石棉之基材務必由專人處理。在能使用吸塵裝置的工作場所中請使用吸塵裝置。若要提高收集粉塵的效率，請使用Hilti所建議之適合木材及 / 或礦物粉塵真空吸塵器。請確保工作場所適當的通風。建議使用等級P2之防塵面罩或過濾器。請依照國家法規處理您作業的基材。

5.2.2 電動機具使用與保養

- a) 固定工件請使用固定夾或架子來固定工件。這會比以手來握住工件更穩固，而且可以讓您空出雙手來操作機具。
- b) 請檢查所使用的彈圈夾具是否與夾頭系統相容，且正確而穩固地放入夾頭中。
- c) 請確保固定釘及依附物件能經得起機具所產生的扭力。過大的扭力可能會使得固定釘 / 依附物件過分旋緊、磨損或損傷並可能導致人員受傷。

zh

5.2.3 充電式機具使用與保養

- a) 請勿讓電池暴露在高溫或接觸火焰。如此可預防爆炸的危險。
- b) 請勿拆解、擠壓或焚燒電池，且不可將電池置放在溫度超過80°C的環境中。與腐蝕性物質接觸會有發生火災、爆炸或受傷的風險。
- c) 請勿將電池使用在未經認可之機具或設備上。使用其他電池，或將電池用在原設計以外的用途可能會發生火災與爆炸。
- d) 遵守適用於鋰電池之運送、貯放與使用的特別指示。
- e) 請勿充電或繼續使用受損電池（意即有龜裂、破損、彎曲或接觸點凹陷及 / 或突起）。
- f) 若電池溫度過高、燙手，可能表示電池已有毀損。將機具置於可隨時觀察的適當地點，遠離易燃物質並讓機具靜置冷卻。待電池靜置冷卻後，請聯絡Hilti維修中心。

5.2.4 電力安全



開始工作前，請先檢查工作區域（例如使用金屬探測器）以確保隱藏的電纜線、瓦斯管或水管無外露。例如，當不小心鑽到電纜線時，電動機具外部的金屬零件會導電。這會大大增加發生電擊意外的危險。

5.2.5 工作場所

- a) 請確保工作場所有足夠的照明。
- b) 請確保工作場所有適當的通風。在通風不良的工作場所接觸粉塵有損健康。

5.2.6 人員防護配備



機具運轉時使用者及在近處的人，必須配戴合適的護目鏡及安全帽、聽力保護耳罩、保護性手套和呼吸保護口罩。

6 使用前注意事項



6.1 電池的使用與保養

附註

電池的效能會因低溫而降低。請勿將電池使用到電力完全用盡為止。當效能明顯下降時請更換使用第二顆電池。立刻將電池重新充電以備下次再度使用。

將電池儲放在涼爽、乾燥的地方。嚴禁將電池存放於陽光直射處，或靠近例如暖氣機、散熱器或機車擋風玻璃下方等熱源。必須正確且安全地處置壽命到期的電池以避免環境污染。

6.2 電池充電



注意

僅使用在「彈圈夾具與配件」中所列的Hilti 充電器。

6.2.1 新電池的初次充電

初次使用前請將電池完全充電。

6.2.2 對舊電池進行充電

將電池置入對應的充電器前，須確認電池外部是否清潔且乾燥。

閱讀充電器操作說明，取得更多關於充電程序的資訊。

鋰電池即使僅部分充電也隨時可以使用。LED指示燈會顯示其充電程度（請參見充電器操作說明）。

6.3 裝上電池

注意

在安裝電池前，請確定關上電動機具電源並啟動運送鎖（正轉 / 逆轉開關位於中間）。僅使用經認可搭配本電動機具使用的Hilti電池。

注意

應避免電池電路短路。將電池置入機具前，請檢查電池正負極與機具上以確保無其他外來物。

1. 由機具後方推入電池，直到聽到兩聲喀搭聲。
2. 注意 若電池未確實安裝，可能會在使用機具時掉落。
注意 掉落的電池可能會對您自身以及他人造成受傷的危險。
在開始工作之前，檢查電池是否已確實安裝在機具上。

6.4 卸除電池 2

1. 按下兩個電池拆卸鈕。
2. 將電池朝機具後方拉出。

6.5 電池組的搬運和貯放

將電池組從鎖定位置（作業位置）移出，然後移至第一個彈簧扣控位置（搬運位置）。

若您要切斷電池組與機具的連接以進行搬運或貯放，請確認電池組接點未短路。移除機殼、工具箱或攜帶盒上鬆脫的金屬零件，例如螺絲、鋼釘、夾子、鬆脫的螺絲鑽頭、電線或金屬切屑，或防止這些零件接觸電池組。

無論以道路、鐵路、海運或空運方式運送電池組，均需遵守國家和國際搬運法規。

7 操作



7.1 更換筒套

附註

為確保套筒可以確實鎖緊，本機具配有 $\frac{1}{2}$ "方頭螺桿附球型凹槽保留機制或 $\frac{3}{4}$ "方頭螺桿附鎖針。

7.1.1 更換套筒 (1/2"方頭螺桿附球型凹槽保留機制)

附註

在將套筒的凹槽安裝到機具上時，先將其與方頭起子上的球校準。若未遵守此點，套筒將不會確實鎖住，且可能會不慎掉落。

7.1.1.1 安裝螺絲起子 3

1. 將正轉 / 逆轉開關設定在中間，或將電池自電動機具卸下。
2. 將螺絲起子側邊的孔與方頭起子上的保留球校準。
3. 將螺絲起子推入夾頭直到咬合。

7.1.1.2 卸下套筒 4

1. 將正轉 / 逆轉開關設定在中間，或將電池自電動機具卸下。
2. 卸除方頭螺桿軸的套筒。

7.1.2 更換套筒 (3/4"方頭螺桿附鎖針)

7.1.2.1 安裝套筒 5

1. 將正轉 / 逆轉開關設定在中間，或將電池自電動機具卸下。
2. 從套筒的溝槽中取出O型環。
3. 拉出鎖針。
4. 將套筒放在機具方頭螺桿軸的位置。
附註 確保方頭螺桿和筒套中的鎖針插入洞已對齊。
5. 先插入鎖針然後裝入O型環，即可完成筒套的固定。

zh

7.1.2.2 卸下套筒 6

1. 將正轉 / 逆轉開關設定在中間，或將電池自電動機具卸下。
2. 從套筒的溝槽中取出O型環。
3. 拉出鎖針。
4. 拆下機具方頭螺桿軸上的套筒。
5. 先插入鎖針然後裝入O型環，即可完成筒套的固定。

7.2 正轉或逆轉設定 7

附註

正轉 / 逆轉開關用於選擇起子軸的旋轉方向。聯鎖裝置可防止當馬達運轉時，有任何開關動作。當正轉 / 逆轉開關在中間時，控制開關便會鎖住。將正轉 / 逆轉開關推向右邊（如操作方向所示）可選擇正轉。將正轉 / 逆轉開關推向左邊（如操作方向所示）可選擇逆轉。

7.3 On / Off開關的使用

逐步按下控制開關，平穩地控制電動機具速度（從最低至最高速）。

7.4 螺絲起子作業

警告

請確保固定釘及依附物件能經得起機具所產生的扭力。過大的扭力可能會使得固定釘 / 依附物件過分旋緊、磨損或損傷並可能導致人員受傷。

將正轉 / 逆轉開關設定至需要的旋轉方向。

7.5 讀取鋰電池上LED顯示幕的充電狀態。 8

附註

電動機具操作時無法顯示充電狀態。僅當電池完全放電（LED 1閃爍）或過熱（溫度高於80°）時才會顯示。此時必須將電池插入充電器。若4具LED都在閃爍，表示機具已過載或過熱。

鋰電池具LED顯示充電狀態的特性。充電期間電池的LED會顯示其充電狀態（請參見章節「鋰電池充電狀態」）。當電池休息（不使用時），每按一次其中的電池拆卸鈕，電池上的四個LED會顯示其充電狀態3秒鐘。

7.6 皮帶掛鉤 9

注意

開始作業前，請確認皮帶掛鉤已繫牢。

可使用皮帶掛鉤將機具裝至操作員配戴的皮帶上。亦可將皮帶掛鉤安裝至機具的另一側，以方便左手慣用者使用。

1. 從機具中將電池取出。
2. 將固定板安裝至所提供的導軌上。
3. 用兩個螺絲固定皮帶掛鉤。

8 維護和保養

注意

為避免機具不經意啟動，在清潔機具前，請將電池自機具移除。

8.1 彈圈夾具的保養

清潔並除去積存在彈圈夾具上的泥土和灰塵，並常用浸油布擦拭保護以防止生銹。

8.2 機具保養

注意

請保持機具、尤其是握把表面的清潔，並避免與油脂及潤滑劑接觸。請勿使用內含矽樹脂的清潔劑。

機具的外殼是以防撞塑膠製成。握把是由合成橡膠材質製成。排氣槽阻塞時請勿使用機具。請使用乾燥之刷子小心清潔排氣槽。勿讓異物進入機具內部。請定期以微濕抹布清潔機具外部。請勿使用噴霧、水壓清潔設備或流動水清洗裝置。這會對機具的電力安全造成不良影響。

8.3 鋰電池保養

避免濕氣進入。

初次使用前請將電池完全充電。

為達到最長電池使用壽命，一旦發現效能明顯下降時，便要停止電池繼續放電。

附註

若繼續使用機具，在電池單元受到損害之前，電池放電會自動停止（會以LED 1閃爍表示）。

請使用經認可用於鋰電池的Hilti充電器為電池充電。

附註

- 不需進行調整充電（如NiCd或NiMH電池般）。
- 中斷充電過程不會減少電池使用壽命。
- 在任何時刻充電皆不會對電池壽命造成不良影響。電池不會記憶（如NiCd或NiMH電池般）。
- 為達最佳狀態，電池最好完全充電並儲放在涼爽乾燥處。避免在周圍高溫的地方（例如窗戶）進行電池充電。如此會減少電池使用壽命並增加其自放電率。
- 如果電池無法再達到完全充電狀態，有可能是因電池老化或過度使用引起的電容量損失。這種情況下的電池可能可以繼續使用，但應該在適當時機予以更換。

8.4 保養

警告

電動機具電力部分的修復工作僅可由經訓練的電力專員進行。

請定期檢查機具外部零件有否損壞，並確定所有控制裝置皆可正常運作。如果有零件受損或控制裝置無法正常運作，請勿操作機具。必要時，請將機具送至Hilti維修中心修理。

8.5 機具保養與維修後的檢查

在完成機具的保養與維護工作後，請檢查所有防護與安全裝置是否已安裝且能正常運作。

9 故障排除

故障	可能原因	故障排除
機具無法啟動。	電池已放電或安裝不正確。	電池在安裝時必須聽到兩聲喀搭聲，否則電池即需充電。
	電力故障	將電池自機具移除並與Hilti維修中心聯絡。
機具沒有運轉，且一具LED閃爍。	電池已放電。	更換電池，並將已放電的電池重新充電。
	該電池過熱或過冷。	將電池置於建議操作溫度地方。
機具沒有運轉，且四具LED全部閃爍。	機具已過載。	鬆開控制開關，並再按一次。
	過熱防護斷電系統已啟動。	讓機具冷卻。清潔通風孔槽。
無法按下On / Off開關，表示開關已鎖住。	正轉 / 逆轉開關位於中間（啟動運送鎖）。	將正轉 / 逆轉開關推向左邊或右邊。

故障	可能原因	故障排除
運轉速度突然急速下降。	電池已放電。	更換電池，並將已放電的電池重新充電。
本電池較一般電池壽命短。	電池電力不在最佳狀態。	請聯絡Hilti服務中心診斷該電池狀態，或更換新電池。
電池咬合時不會發出兩聲喀啦聲。	電池卡榫髒污。	清潔卡榫，並確定其與電池牢牢地咬合。如果問題仍舊存在，請與Hilti維修中心聯絡。
機具或電池變得非常熱。	電力故障	立即將機具關閉，卸下電池，並聯絡Hilti服務中心。
	機具超過負荷（超出使用限制）。	使用正確機具來工作（勿將低電能機具用在超過負荷的工作上）。

10 廢棄機具處置

注意

不當處置廢棄設備會造成嚴重的後果：塑膠部件若起火，將產生危害健康的有毒煙霧。電池如果受損或暴露在極高溫度下，可能會爆炸，進而造成毒性灼傷、酸性灼傷，或環境污染。處置廢棄設備若不夠小心，可能會導致以未經授權或是不當的方式使用設備。這可能會造成嚴重的人員傷害，或傷及他人及對環境造成污染。

注意

立即處置有瑕疵的電池。將電池放在兒童拿不到的地方。請勿企圖將電池打開或分解及作焚化處理。

注意

廢棄電池處置需符合國家法律或交付Hilti服務中心。



Hilti機具或設備所採用的材料，大部分都可回收利用。材料在被回收前必須正確地分類。Hilti在很多國家已有設立據點，將您的舊機具或設備回收。請詢問您的Hilti客戶服務部或Hilti代表人員以取得進一步資訊。



僅適用於歐盟國家。

不可將電動機具與家庭廢棄物一併處置。

依據歐盟指令關於電子及電器設備廢棄物的規範，以及國家相關施行法律規定，已達使用年限的電動機具與電池必須分別收集，並交由環保回收機構處理。

11 製造商保固 – 機具

Hilti保證所供應之機具無論在材料上或製造上均無瑕疵。只要以正確的方式操作並處置機具、適當地清潔與維修、遵守Hilti的操作說明，並維護技術系統，本保固即為有效。這表示在本機具上僅可使用原廠Hilti耗材、部件與備用零件。

此保固僅能提供該機具整個使用壽命期間免費修復或更換零件服務。正常磨損、損耗所造成的零件維修或更換不在保固範圍內。

除非當地國家法規嚴格禁止，不接受禁止額外賠償條例之設立，否則不予考慮額外賠償的要求。尤其，Hilti對於任何與機具在任何用途上之使用或無法使用所造成或有關之直接、間接、偶發或後續損害、損失或費用不負賠償責任。尤其明確排除關於機具之適售性或其特定用途上之適用性的默示擔保。

發現產品有瑕疵時，請立即將機具或相關零件送至當地Hilti行銷機關修理或替換。

本條款為Hilti所有的保固責任，並取代先前或同時期就保固責任所達成的註解及口頭或書面協議。

12 EC歐規符合聲明 (原版)

產品名稱：	充電式衝擊扳手機
型號：	SIW 22T-A
產品代別：	01
製造年份：	2013

本公司在此聲明，我們的唯一責任在於本產品符合下列指示或標準： EN 60745-1, EN 60745-2-2, 2006/42/EC, 2004/108/EC, 2006/66/EC, 2011/65/EU, EN ISO 12100。

Hilti Corporation, Feldkircherstrasse 100, FL-9494 Schaan



Paolo Luccini
Head of BA Quality and Process
Management
Business Area Electric Tools & Accessories 06/2013



Jan Doongaji
Executive Vice President
Business Unit Power Tools & Accessories 06/2013

技術文件歸檔於：

Hilti Entwicklungsgesellschaft mbH
Zulassung Elektrowerkzeuge
Hiltistrasse 6
86916 Kaufering
Deutschland

zh

原版操作说明

SIW 22T-A 充电式冲击扳手机

在第一次使用电动工具之前请务必阅读本操作说明。

应始终将本操作说明与电动工具保存在一起。

当您把电动工具交给他人时，请确保一并交付本操作说明。

目录

1	概述信息	238
2	描述	239
3	配件	240
4	技术数据	240
5	安全说明	241
6	在使用之前	244
7	操作	245
8	维护和保养	246
9	故障排除	247
10	废弃处置	247
11	制造商保修 - 工具	248
12	EC 符合性声明 (原稿)	248

cn

1 有关这些编号请参考相应的示图。示图可以在折页上找到。当学习操作说明时，应保持将这些折页打开。

在本操作说明中，“电动工具”是指安装电池的 SIW 22T-A 充电式冲击扳手机。

操作控制器和部件 **1**

- ① 夹头
- ② 控制开关 (带电子速度控制器)
- ③ 前进/后退选择开关，带安全锁
- ④ 带附加功能的释放按钮 (充电状态显示启动)
- ⑤ 铭牌
- ⑥ 充电状态和故障显示 (锂离子电池)
- ⑦ 带钩 (选装)

1 概述信息

1.1 安全提示及其含义

-危险-

用于让人们能够注意到可能会导致严重身体伤害或致命的迫近危险。

-警告-

用于让人们能够注意到可能会导致严重人身伤害或致命的潜在危险情形。

-小心-

用于让人们能够注意到可能会导致较小人身伤害、设备损坏或其它财产损失的潜在危险情形。

-注意-

用于提醒人们注意操作说明和其它有用信息。

1.2 象形图的解释和其它信息

警告符号



一般警告



警告：小心触电



警告：腐蚀性物质

责任符号



戴上护目装置



戴上安全帽



戴上护耳装置



戴上防护手套



戴上呼吸防护装置

符号



请在使用之前阅读操作说明



返回废料用于回收。



V



直流电

n_0

无负荷下的额定转速

/min

每分钟转数

电动工具上标识数据的位置

型号名称可以在铭牌上找到，序列号位于电机壳体的侧面。将这些数据记录在您的操作说明上，当向您的 Hilti 公司代表或服务部门提出查询时，将总是需要它们作为参考。

cn

型号：

分代号：01

序列号：

2 描述

2.1 产品使用指南

SIW 22T-A 为手持充电式冲击扳手机。该电动工具适用于拧紧/松开螺母、螺栓、锚固件和木螺钉。

不允许在对健康有害的材料上工作 (例如石棉)。

必须遵守适用的国家和行业安全法规。

不要将电池用作其它未指定设备的电源。

不允许改装电动工具或窜改其部件。

为避免造成人身伤害，仅允许使用 Hilti 公司原装配件和插入工具。

本电动工具不能用于要求精确扭矩的应用场合。对于要求精确扭矩或仅允许特殊限制扭矩的应用场合，如果使用本电动工具，则对螺钉或工件可能存在过度拧紧和损坏的危险。对于这些应用场合，请使用带预定扭矩设置的工具，以防过度拧紧。

请务必遵守操作说明中列出的有关操作、维护和保养的信息。

本电动工具仅供用于专业用途，并且只能由经过授权和培训的人员操作、维护和保养。该人员必须了解可能遇到的任何特殊危险。不按照说明使用或未经培训的人员不正确地使用电动工具或其辅助设备，可能会带来危险。

工作环境可能涉及：建筑工地、车间内的翻新、改装或新建等工作。

2.2 夹头

1/2" 带固定球耳的方榫

3/4" 带锁销的方榫

2.3 开关

带电子速度控制器的控制开关

前进/后退选择开关，带安全锁

2.4 供货提供的部件包括 (工具箱版本)：

1 电动工具

1 操作说明

1 Hilti 工具箱

2.5 供货提供的部件包括 (纸板盒版本) :

- 1 电动工具
- 1 操作说明

2.6 操作电动工具所需的其它部件 :

B 22/2.6 Li-Ion 电池或 B 22/3.3 Li-Ion 电池搭配 C4/36-90、C4/36-350、C 4/36、C 4/36-ACS 或 C 4/36-ACS TPS 充电器。

2.7 锂离子电池充电状态和过热指示灯

LED 持续亮起	LED 闪烁	充电状态 C
LED 1、2、3、4	-	$C \geq 75\%$
LED 1、2、3	-	$50\% \leq C < 75\%$
LED 1、2	-	$25\% \leq C < 50\%$
LED 1	-	$10\% \leq C < 25\%$
-	LED 1	$C < 10\%$
-	LED 1	电池已过热

2.8 电动工具过载和过热指示灯

本电动工具配有电子保护系统,以防止过载和过热。当发生过载和过热时,电动工具将会自动关闭。在释放控制开关后,当再次按下该开关时电动工具可能不会立即重新启动(电动工具正在冷却)。

LED 持续亮起	LED 闪烁	电动工具状态
-	LED 1、2、3、4	电动工具已过载或过热

cn

3 配件

名称	缩写
套筒	S-NSD 和 SV
用于锂离子电池的充电器	C 4/36
用于锂离子电池的充电器	C 4/36-ACS
用于锂离子电池的充电器	C 4/36-ACS TPS
用于锂离子电池的充电器	C 4/36-90
用于锂离子电池的充电器	C 4/36-350
电池	B 22/3.3 Li-Ion
电池	B 22/2.6 Li-Ion
电池	B 22/1.6 Li-Ion
带钩	

4 技术数据

保留作出技术更改的权利!

电动工具	SIW 22T-A 1/2"	SIW 22T-A 3/4"
额定电压 (直流电压)	21.6 V	21.6 V
重量 (按照 EPTA 程序 01/2003)	3 kg	3.2 kg
尺寸 (长 x 宽 x 高)	232 mm x 94 mm x 258 mm	251 mm x 94 mm x 258 mm
无负荷下的额定转速	0...2,000/min	0...2,000/min
冲击速度	最大 2,500 bpm	最大 2,500 bpm
扭矩	450 Nm	450 Nm
标准螺钉	M12 - M24	M12 - M24
高强度螺钉	M8 - M16	M8 - M16
夹头	1/2" 方榫	3/4" 带锁销的方榫
速度控制	电子控制, 通过控制开关	电子控制, 通过控制开关
前进/后退	带联锁装置的电子开关, 防止在运行时发生切换	带联锁装置的电子开关, 防止在运行时发生切换
深度放电保护	是	是

-注意-

噪音信息 (按照 EN 60745-1 标准测量) :

电动工具	SIW 22T-A 1/2"	SIW 22T-A 3/4"
典型的 A 加权声功率级	108 dB (A)	111 dB (A)
典型的 A 加权声压级	97 dB (A)	100 dB (A)
给定声级的不确定性	3 dB (A)	3 dB (A)

-注意-

本信息表中给出的振动传导水平是按照 EN 60745 中给定的标准化测试进行测量的, 可用于比较一个工具与另一个工具。它还可用于初步评价受振动影响的程度。表中发布的振动传导水平只适用于本电动工具的主要应用场合。如果将电动工具用于不同的应用场合、使用不同的配件或维护不良, 则振动传导水平可能不同, 而且这可能会显著增加操作者在整个工作期间受振动影响的程度。对受振动影响程度的估计还应考虑当关闭电动工具或当它运行但实际未进行工作时的情况, 这样可以显著减少操作者在整个工作期间受振动影响的程度。此外, 应确定附加安全措施, 以保护操作者免受振动影响, 例如: 正确维护电动工具和配件、保持双手温暖、制订合理的工作计划等。

遵照 EN 60745 的附加信息

三维振动值 (振动向量和)	按照 EN 60745-2-2 测量
电动工具 1/2" 使用最大尺寸紧固件时的冲击驱动, a_h	14.5 m/s ²
电动工具 3/4" 使用最大尺寸紧固件时的冲击驱动, a_h	14.2 m/s ²
不确定性 (K)	1.5 m/s ²

cn

电池	B 22/3.3 Li-Ion	B 22/2.6 Li-Ion	B 22/1.6 Li-Ion
额定电压	21.6 V	21.6 V	21.6 V
电池容量	3.3 Ah	2.6 Ah	1.6 Ah
重量	0.78 kg	0.78 kg	0.48 kg
充电期间的温度监控	是	是	是
放电期间的温度监控	是	是	是
单元格类型	锂离子	锂离子	锂离子
单元格数量	12	12	6
能含量	71.28 Wh	56.16 Wh	34.56 Wh

5 安全说明

-注意-

以下章节中的安全规定包括电动工具的所有一般性安全规定, 按照适用标准, 需要将这些安全规定列在操作说明中。因此, 所列的某些规定可能与本电动工具无关。

5.1 一般电动工具安全警告

a)  **-警告-**

请阅读所有安全警告和操作说明。不遵守安全警告和操作说明可能会导致电击、火灾和/或严重人身伤害。请保存所有安全警告和操作说明, 以供将来参考。在所有警告中, 词语“电动工具”是指您的通过主电源操作的电动工具 (带电缆) 或通过自身电池操作的电动工具 (不带电缆)。

5.1.1 工作区域安全

- a) 保持工作区域清洁并具有良好的照明。杂乱或黑暗的区域容易导致事故。
- b) 不要在爆炸性环境中操作电动工具, 例如有易燃液体、气体或灰尘。电动工具会产生可以点燃这些灰尘或烟雾的火花。
- c) 在操作电动工具时, 要令儿童和旁观者远离工作现场。万一分心, 可能会使您失去对电动工具的控制。

5.1.2 电气安全

- a) 电动工具插头必须匹配电源插座。切勿以任何方式改动插头。对于接地的电动工具, 不要使用任何适配器插头。使用未经改动的插头和匹配的电源插座可以大大减少电击危险。

- b) 避免身体接触到接地的表面，例如管路、散热器、炉灶和冰箱。如果您的身体接地，则会增加电击危险。
- c) 不要将电动工具暴露在雨水或潮湿环境中。电动工具进水将会增加电击危险。
- d) 不要滥用电缆。切勿使用电缆运送、拉动或拔出电动工具。保持电缆远离高温、油、锋利边缘或运动部件。电缆损坏或缠绕会增加电击危险。
- e) 当在户外操作电动工具时，应使用经认可适合户外操作的加长电缆。使用适合户外操作的电缆可减少电击危险。
- f) 若不可避免要在潮湿位置操作电动工具，则应使用剩余电流装置 (RCD) 保护电源。使用 RCD 可减小电击危险。

5.1.3 人身安全

- a) 保持警觉，注意您正在进行的工作，并在操作电动工具的过程中，应利用自己的判断能力。当您疲劳或受到药物、酒精或医疗影响时，请不要使用电动工具。当操作电动工具时，瞬间的分心都可能导致严重的人身伤害。
- b) 使用个人防护装备。一定要戴上护目装置。防尘罩、防滑安全鞋、安全帽或用于适当情况下的听觉防护装置等防护装备可减少人身伤害。
- c) 防止电动工具意外启动。在连接至电源和/或电池组、拿起或搬运电动工具之前，应确保开关处于“关闭”位置。将手指放在开关上搬运电动工具或在开关处于“打开”位置时接通电源，都可能会导致事故发生。
- d) 在打开电动工具之前，必须拿掉任何调整键或扳手。让扳手或调整键留在电动工具的旋转部件上可能会导致人身伤害。
- e) 不要操之过急。应时刻保持正确的站姿和平衡。这在意外情况下能够更好地控制电动工具。
- f) 应正确穿着。不要穿着松垮的衣服或佩戴首饰。让头发、衣服和手套远离运动部件。松垮的衣服、首饰或长发会卡在运动部件中。
- g) 如果提供有用于连接除尘和集尘设施的装置，应确保将它们连接好并正确使用。使用除尘装置可以减少与灰尘相关的危险。

5.1.4 电动工具的使用和维护

- a) 不要强制使用电动工具。针对您的应用场合使用正确的电动工具。正确的电动工具在其额定设计值范围内将能够更好和更安全地工作。
- b) 如果通过开关不能使其打开和关闭，则请不要使用电动工具。任何不能通过开关进行控制的电动工具都是危险的，必须对其进行修理。
- c) 在进行任何调整、更换配件或存放电动工具之前，应从电源上断开插头和/或从电动工具上断开电池组。此预防性安全措施可减少意外启动电动工具的危险。
- d) 将不用的电动工具存放在儿童够不到的地方，并且不要让不熟悉电动工具或其操作说明的人员操作电动工具。在未经培训的用户手里，电动工具是危险的。
- e) 维护电动工具。检查是否存在运动部件失调或卡滞、部件断裂和任何其它影响电动工具操作的情况。如果存在损坏，则在使用之前应修理电动工具。许多事故都是由于电动工具维护不良造成的。
- f) 保持切削工具锋利和清洁。带锋利切削刃的切削工具如果维护得当，很少会发生卡滞且更容易控制。
- g) 按照操作说明使用电动工具、配件和钻头，并将工作条件和将要执行的工作考虑在内。将电动工具用于指定用途以外的场合会导致危险。

5.1.5 无绳 (电池操作) 工具的使用和维护

- a) 充电时只能使用制造商指定的充电器。适合某种类型电池组的充电器如果被用于为另一类型电池组充电，则可能会带来火灾危险。
- b) 只能使用专用电池组为电动工具供电。使用任何其它电池组可能会带来人身伤害和火灾。
- c) 当电池组不用时，应使其远离其它金属物体，例如纸夹、硬币、钥匙、钉子、螺钉或其它小的金属物体，以免造成短路。如果电池端子被短路，则会造成人员烧伤或火灾。
- d) 如果持续滥用电池，则可能会造成液体从电池中喷射出来；注意避免接触到液体。如果意外接触到液体，应用水冲洗。如果液体接触眼睛，除了用大量清水冲洗外，还应立即就医。从电池中喷射出来的液体会导致疼痛或灼伤。

5.1.6 维修

- a) 您的电动工具只能由合格的维修人员使用原装备件进行修理。这样才可确保维持电动工具的安全性。

5.2 附加安全预防措施

5.2.1 人身安全

- a) 当执行紧固件可能会接触到隐藏导线的操作时，应确保只能通过绝缘把手表面握住电动工具。如果紧固件接触“带电”导线，则会使电动工具的裸露金属部件“带电”，从而可能会电击到操作者。
- b) 戴上护耳装置。如果直接暴露在噪音中，则可能会导致听力受损。
- c) 当所进行的工作会产生灰尘时，如果在没有除尘系统的情况下使用电动工具，则必须戴上呼吸防护装置。
- d) 在工作期间休息时，可活动一下您的手指，以改善手指的血液循环。
- e) 避免接触旋转部件。仅在将电动工具带到工作位置时才可打开电动工具。接触旋转部件，特别是旋转起来的插入工具，会导致伤害。
- f) 在存放或运输电动工具之前，应启动安全锁（前进/后退开关处于中间位置）。
- g) 必须告知儿童不要玩耍本电动工具。
- h) 儿童、没有经过培训或没有接受过指导的人以及劳累过度的人不适合使用本电动工具。
- i) 一些材料产生的灰尘，例如含铅油漆、某些木屑、矿物和金属，可能对人体有害。接触或吸入这些灰尘可能会导致操作者或旁观者出现过敏反应和/或呼吸疾病。某些种类的灰尘还属于致癌物质，例如橡木和山毛榉木灰尘，特别是在带木材调节添加剂（铬酸盐、木材防腐剂）时。含石棉的材料只能由专业人员进行处理。在能使用除尘装置时应尽可能使用。为达到高水平的除尘效果，在使用本电动工具时，应使用 Hilti 公司推荐的适合于木材灰尘和/或矿物灰尘的真空吸尘器类型。确保工作场所良好通风。建议使用过滤等级为 P2 的防尘面罩。遵守有关工作材料的国家要求。

cn

5.2.2 电动工具的使用和维护

- a) 固定工件。必要时可使用夹子或台钳固定工件。这样，工件可比用手固定更稳固，而且可以腾出双手来操作电动工具。
- b) 检查并确认所用的插入工具兼容夹头系统并且它们正确固定在夹头中。
- c) 确保紧固件和附件能够承受电动工具产生的扭矩等级。过大的扭矩可能会使紧固件/附件承受过应力，或折断/损坏紧固件/附件，也可能造成人身伤害。

5.2.3 无绳电动工具的使用和维护

- a) 不得将电池暴露在高温或明火环境下。否则会有爆炸危险。
- b) 请勿拆开、挤压或烧毁电池，不要让它们暴露在高于 80 °C 的高温下。与腐蚀性物质接触可能会导致火灾、爆炸或人身伤害危险。
- c) 不得将未经许可的电池用于为电动工具或设备供电。如果使用其它电池或将电池用于非指定用途，则会有火灾和爆炸危险。
- d) 遵守有关锂离子电池运输、存放和使用的特殊说明。
- e) 对于已损坏的电池（例如出现裂纹、部件断裂、触点弯曲或压入和/或拉出的电池），请不要充电或继续使用。
- f) 若电池变得过热而不能触摸，则表明有故障。将本工具置于可观察到的位置，使其远离易燃材料，并让其冷却下来。在电池已冷却后，即联系喜利得维修部门。

5.2.4 电气安全



在开始工作之前，应检查工作区域（例如使用金属探测器）以确保没有隐藏的电缆或煤气管和水管。如果有电缆意外受损，则电动工具的外部金属部件可能会因接触而带电。这会导致严重的电击危险。

5.2.5 工作区域

- a) 确保工作场所保持良好照明。
- b) 确保工作场所良好通风。在通风不良的工作场所下灰尘极易损害人体健康。

5.2.6 个人防护装备



当使用电动工具时，用户和附近的任何其他人员都必须戴上适当的护目装置、安全帽、护耳装置、防护手套和呼吸防护装置。

6 在使用之前



6.1 电池的使用和维护

-注意-

电池性能在低温时会下降。在单元格完全放电之前，切勿使用电池。一旦注意到电池性能下降，应立即换用另一电池组。立即为电池充电，以便为再次使用做好准备。

将电池存放在凉爽、干燥的地方。切勿将电池存放在阳光直射或热源处，例如在加热器/散热器上或汽车挡风玻璃的后面。已经达到使用寿命极限的电池必须进行安全和正确的废弃处理，并避免环境污染。

6.2 为电池充电



-小心-

仅可使用“插入工具，配件”中列明的喜利得充电器。

6.2.1 首次为新电池充电

在首次使用电池之前，要给电池完全充电。

6.2.2 为先前使用过的电池充电

在将电池插入相应的充电器之前，应确保电池外表面清洁和干燥。有关充电步骤的更多详细信息，请参考充电器的操作说明。

锂离子电池可以在任何时候使用，甚至在只充部分电量时。通过LED显示指示充电进度(参见充电器操作说明)。

6.3 安装电池

-小心-

在安装电池之前，检查并确认电动工具是关闭的，且安全锁已接合(前进/后退开关处于中间位置)。仅可使用适用于本电动工具的喜利得电池。

-小心-

在将电池插入工具之前，检查以确保电池接线端和工具的端子上无异物。

1. 将电池从后部推入电动工具中，推到底，直至听到接合的“双咔哒”声。
2. -小心- 如果未牢固安装，则在使用电动工具期间电池可能会掉出来。
-小心- 如果电池掉落，则可能会对自己或他人造成人身伤害。
在开始工作之前，检查并确保电池已牢固安装在工具中。

6.4 拆下电池

1. 按下两个电池释放按钮。
2. 将电池朝后拉出电动工具。

6.5 电池组的运输和存储

将电池组拉出锁止位置(工作位置)并移至第一个咔哒止动位(运输位置)。

如为了运输或存储而从电动工具上拆下电池组，则应确保电池组的触点不会被短路。将松散的金属部件如螺钉、钉子、夹子、螺钉套头、电线或金属屑等从盒子、工具箱或运输容器中清除出去，以防止这些部件接触到电池组触点。

当运输电池组时，请遵守国内和际的运输规定（公路、铁路、海上或空中运输）。

7 操作



7.1 更换套筒

-注意-

为了确保套筒牢固固定，本工具配有 1/2" 带固定球耳的方榫或 3/4" 带锁销的方榫。

7.1.1 更换套筒 (1/2" 带固定球耳的方榫)

-注意-

在将套筒安装到电动工具之前，将套筒的槽口与方榫上的球耳对准。如果未遵循这一点，则套筒将不能牢固固定且可能会意外掉落下来。

7.1.1.1 安装螺母起子 3

1. 将前进/后退开关设置在中间位置或从电动工具上拆下电池。
2. 将螺母起子侧面的孔对准方榫上的保持球耳。
3. 将螺母起子推到夹头上，直至它接合。

7.1.1.2 拆下套筒 4

1. 将前进/后退开关设置在中间位置或从电动工具上拆下电池。
2. 将套筒从方榫主轴中拉出。

7.1.2 更换套筒 (3/4" 带锁销的方榫)

7.1.2.1 安装套筒 5

1. 将前进/后退开关设置在中间位置或从电动工具上拆下电池。
2. 从套筒的凹槽中拆下 O 形环。
3. 拉出锁销。
4. 将套筒置于本工具的方榫主轴上。
-注意- 小心以确保用于插入锁销的方榫主轴和套筒的孔相互对准。
5. 要固定套筒，首先应插入锁销，然后安装 O 形环。

7.1.2.2 拆下套筒 6

1. 将前进/后退开关设置在中间位置或从电动工具上拆下电池。
2. 从套筒的凹槽中拆下 O 形环。
3. 拉出锁销。
4. 从本工具的方榫主轴上拆下套筒。
5. 要固定套筒，首先应插入锁销，然后安装 O 形环。

7.2 设置前进或后退旋转 7

-注意-

使用前进/后退开关选择驱动主轴的旋转方向。但在电机运行时，联锁装置将会阻止此切换。当前进/后退开关位于中间位置时，控制开关被锁止。将前进/后退开关推向右侧（从工作方向上看）进行前进旋转。将前进/后退开关推向左侧（从工作方向上看）进行后退旋转。

7.3 打开/关闭

通过逐渐按下控制开关可平稳控制电动工具的速度（从最小增加至最大）。

7.4 螺旋驱动

-警告-

确保紧固件和附件能够承受电动工具产生的扭矩等级。过大的扭矩可能会使紧固件/附件承受过应力，或折断/损坏紧固件/附件，也可能造成人身伤害。

将前进/后退开关设置到期望的旋转方向。

7.5 查看锂离子电池上的充电状态 LED 显示 8

-注意-

当电动工具处于操作状态时不能指示充电状态。仅当电池已完全放电或当电池过热 (温度大于 80 °C) 时才会给出指示 (LED 1 闪烁)。然后必须将电池插入充电器中。如果 4 个 LED 均闪烁, 则表明电动工具已过载或过热。

锂离子电池具有充电状态 LED 显示功能。充电期间电池上的 LED 显示指示充电状态 (请参见章节“锂离子电池充电状态”)。当电池停止工作 (未使用) 时, 在按下其中一个电池释放按钮后, 电池上的四个 LED 会指示其充电状态, 指示时间为 3 秒钟。

7.6 带钩 9

-小心-

在开始工作之前, 检查并确保带钩已可靠安装。

通过带钩可将电动工具连接在操作者佩戴的背带上。带钩也可安装至电动工具的另一侧, 以供惯用左手的人使用。

1. 从电动工具上拉出电池。
2. 将安装板安装至提供的导向装置上。
3. 用两个螺钉固定带钩。

8 维护和保养

-小心-

在开始清洁之前, 为了防止意外启动, 应从电动工具上拆下电池。

cn 8.1 维护插入工具

清除插入工具上的污物和灰尘, 并通过使用浸油抹布不时擦拭来防止插入工具出现腐蚀。

8.2 维护电动工具

-小心-

保持电动工具清洁和没有油脂, 特别是其把手表面。不要使用含硅的清洁剂。

电动工具的外壳由耐冲击塑料制成。把手部分由合成橡胶材料制成。

当通风槽堵塞时切勿操作电动工具。使用干燥的刷子小心清洁通风槽。不要让异物进入电动工具内部。使用干净微湿抹布定期清洁电动工具外部。不要使用喷雾器、蒸气压力清洁设备或流水进行清洁, 否则会给电动工具的电气安全带来不利影响。

8.3 锂离子电池的维护

避免湿气进入。

在首次使用电池之前, 要给电池完全充电。

为了获得最长的电池使用寿命, 一旦注意到电池性能有明显的下降, 应立即停止继续使用电池。

-注意-

如果继续使用电动工具, 则在电池单元格遭受损坏之前将会自动停止电池放电 (由 LED 1 闪烁指示)。

用经过批准适用于锂离子电池的喜利得充电器给电池充电。

-注意-

- 不需要进行调节性充电 (这对镍镉或镍氢电池需要)。
- 充电过程中断对电池寿命没有负面影响。
- 随时都可以开始充电, 这对电池寿命没有负面影响, 但没有记忆效应 (镍镉或镍氢电池有)。
- 为了获得最好的结果, 电池应在完全充电状态下存放在凉爽、干燥的地方。避免在高温下 (如阳光照射的窗户处) 给电池充电, 因为这对电池寿命有负面影响, 并会加快其自放电速度。
- 如果电池无法继续达到完全充电状态, 则可能是电池因老化或超负载而失去了容量。在这种情况下, 可以继续使用电池, 但应及时更换。

8.4 维护

-警告-

只能由经过培训的电气专业人员修理电动工具的电气系统。

定期检查电动工具的所有外部部件是否损坏并检查确认所有控制器都可无故障工作。如果部件损坏或当控制器不能无故障工作时, 请不要操作电动工具。必要时, 应将电动工具送至 Hilti 公司维修中心进行维修。

8.5 在维护和保养之后检查电动工具

在对电动工具进行维护和保养之后，检查并确认所有保护和安全装置都已安装且它们都可无故障地工作。

9 故障排除

故障	可能原因	措施
电动工具不运行。	电池放电或安装不正确。	必须听见电池接合的“双咔哒”声或电池需要相应充电。
	电气故障。	将电池从电动工具上拆下，并联系 Hilti 公司维修中心。
电动工具不运行，且一个 LED 闪烁。	电池放电。	更换电池，并对已放电电池充电。
	电池过热或过冷。	将电池调整至推荐的工作温度。
工具不工作，所有 4 个 LED 闪烁。	电动工具已过载。	释放控制开关然后再次将其按下。
	过热保护切断功能已经启动。	让电动工具冷却下来。 清洁通风槽。
不能按下“打开/关闭”开关，即开关被锁止。	前进/后退开关位于中间位置 (安全锁已接合)。	将前进/后退开关推向左侧或右侧。
运行速度突然明显下降。	电池放电。	更换电池，并对已放电电池充电。
电池比平常更快耗尽。	电池状况不是最佳。	请让 Hilti 公司维修中心诊断电池状况或更换新电池。
电池没有在听到“双咔哒”声的情况下接合。	电池上的固定凸耳脏污。	清洁固定凸耳，并检查确认电池已牢固接合。如果问题持续出现，则请联系 Hilti 公司维修中心。
电动工具或电池变得很热。	电气故障。	立即关闭电动工具，拆下电池并联系喜利得公司维修中心。
	电动工具已过载 (超过应用极限)。	针对工作情况使用正确的电动工具 (不要将低功率工具用于重负荷作业)。

cn

10 废弃处置

-小心-

不正确地废弃处置设备可能会产生严重后果：塑料部件燃烧会产生危害健康的有毒烟雾。电池如果损坏或暴露在极高的温度下，可能会发生爆炸，从而导致中毒、烧伤、酸蚀或环境污染。如果废弃处置疏忽，则可能会造成设备的未授权或不正确的继续使用，从而导致严重的人身伤害、第三方伤害和环境污染。

-小心-

有故障的电池应立即废弃处置。不要让儿童接触到它们。不要试图打开或解体电池，也不要使用焚化方法进行废弃处置。

-小心-

按照国家法规废弃处理电池或将其交回喜利得公司。



Hilti 电动工具或设备的大多数制作材料都可以回收利用。在可以回收之前，必须正确分离材料。在许多国家中，Hilti 公司已经对旧电动工具或设备的回收利用作了安排。有关进一步的信息，请咨询您的 Hilti 公司客户服务部门或 Hilti 公司代表。



仅限于欧洲国家

不允许将电动工具与家用垃圾一起处理！

遵守欧洲指令有关废弃电气和电子设备的规定，并且废弃处置的实施应该符合国家法律。必须单独收集已达到使用寿命期限的电动工具和电池，并以环保的方式进行回收。

11 制造商保修 - 工具

Hilti 公司保证工具在出厂时不存在材料和制造工艺方面的缺陷。本保修有效的前提条件是：按照 Hilti 公司操作说明正确操作、处理、清洁和维护工具，并将工具维持在良好的技术状态。这意味着在工具中只能使用 Hilti 公司原装的损耗品、部件和备件。

本保修仅提供在工具整个预期使用寿命期间对有缺陷部件的免费维修或更换。如果部件由于正常磨损而需要进行修理或更换，则不在本保修范围内。

其它的索赔要求均不在本保修范围之内，除非客户所在国家的严格法律存在与此不同的规定。尤其需要强调的是：Hilti 公司在任何情况下均不对因工具使用不当或无法使用而导致的或与之有关的直接性、间接性、偶然性、必然性的物品损坏、财产损失、额外费用负责。本保修范围特别排除商品适销性或特定用途适用性的默示担保。

如需进行修理或更换，在发现故障后应立即将工具或相关部件按照操作说明中提供的地址发送到当地 Hilti 公司营业机构。

以上条款构成了 Hilti 公司在产品保修方面的所有责任，并同时废止此前或同时期涉及到保修的所有口头或书面协议。

cn

12 EC 符合性声明 (原稿)

名称：	充电式冲击扳手机
型号：	SIW 22T-A
分代号：	01
设计年份：	2013

按照我们单方面的责任，我们声明本产品符合下列指令和标准：EN 60745-1, EN 60745-2-2, 2006/42/EC, 2004/108/EC, 2006/66/EC, 2011/65/EU, EN ISO 12100.

Hilti Corporation, Feldkircherstrasse 100, FL-9494 Schaan

Paolo Luccini
Head of BA Quality and Process
Management
Business Area Electric Tools & Accessories
06/2013

Jan Doongaji
Executive Vice President
Business Unit Power Tools & Accessories
06/2013

技术文档提交于：
Hilti Entwicklungsgesellschaft mbH
Zulassung Elektrowerkzeuge
Hiltistrasse 6
86916 Kaufering
Deutschland



Hilti Corporation

LI-9494 Schaan

Tel.: +423/234 21 11

Fax: +423/234 29 65

www.hilti.com

Hilti = registered trademark of Hilti Corp., Schaan

W 3668 | 0913 | 00-Pos. 1 | 1

Printed in China © 2013

Right of technical and programme changes reserved S. E. & O.

409099 / A4

Printed: 29.11.2013 | Doc-Nr: PUB / 5070699 / 000 / 03



409099