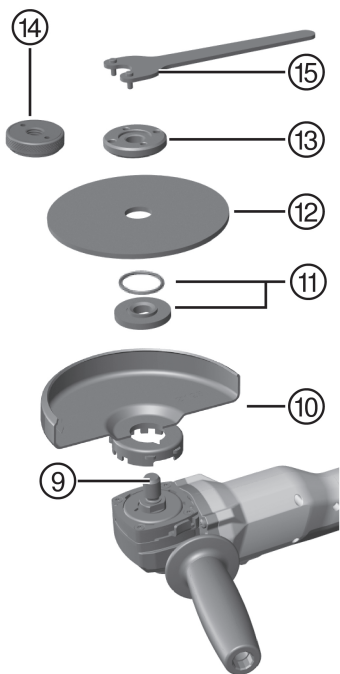
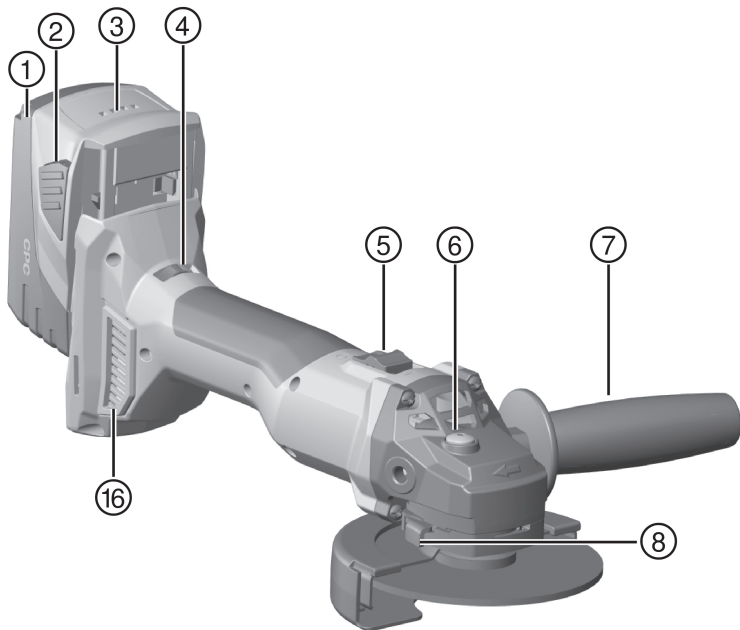




AG 4S-A22

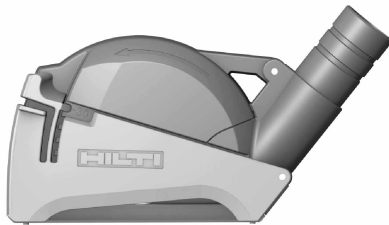
English	1
Dansk	17
Svenska	33
Norsk	49
Suomi	65
Eesti	81
Latviešu	97
Lietuvių	114
Русский	130
Українська	149
Қазақ	168
Türkçe	186
عربي	202



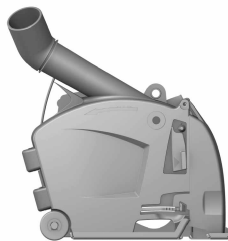
2



3



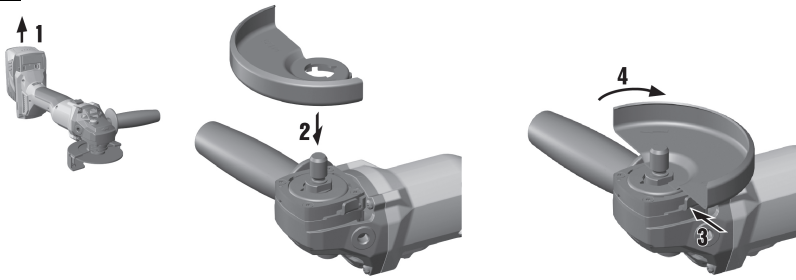
4



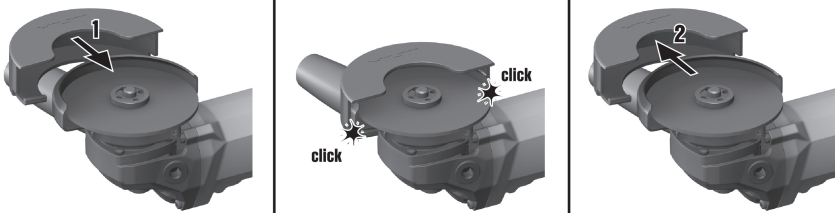
5



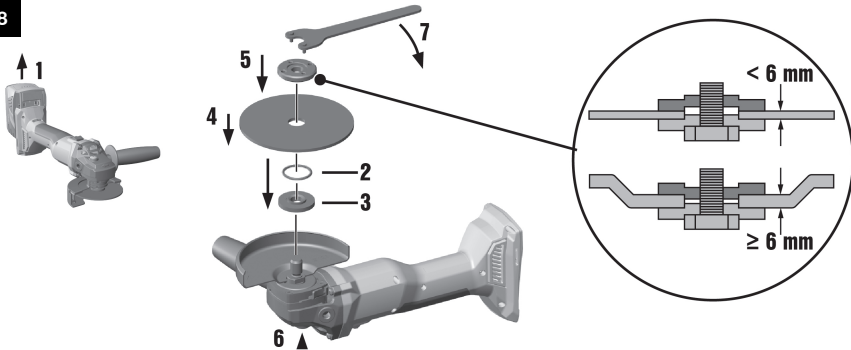
6



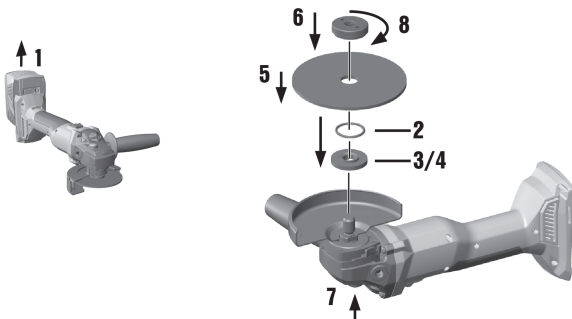
7



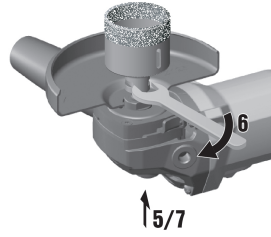
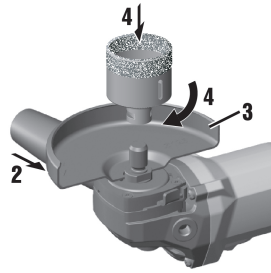
8



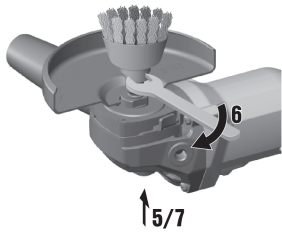
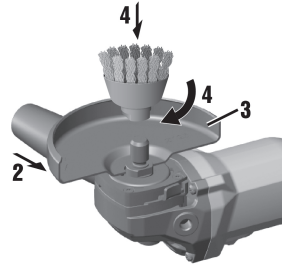
9



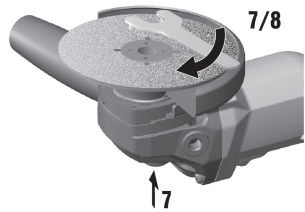
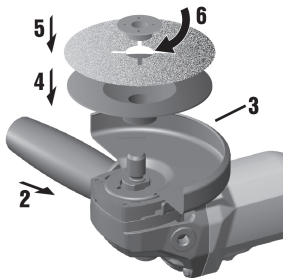
10



11



12



AG 4S-A22

en	Original operating instructions	1
da	Original brugsanvisning	17
sv	Originalbruksanvisning	33
no	Original bruksanvisning	49
fi	Alkuperäiset ohjeet	65
et	Originaalkasutusjuhend	81
lv	Originālā lietošanas instrukcija	97
lt	Originali naudojimo instrukcija	114
ru	Перевод оригинального руководства по эксплуатации	130
uk	Оригінальна інструкція з експлуатації	149
kk	Түпнұсқа пайдалану бойынша нұсқаулық	168
tr	Orijinal kullanım kılavuzu	186
ar	دليل الاستعمال الأصلي	202

1 Information about the documentation

1.1 About this documentation

- Read this documentation before initial operation or use. This is a prerequisite for safe, trouble-free handling and use of the product.
- Observe the safety instructions and warnings in this documentation and on the product.
- Always keep the operating instructions with the product and make sure that the operating instructions are with the product when it is given to other persons.

1.2 Explanation of symbols used

1.2.1 Warnings

Warnings alert persons to hazards that occur when handling or using the product. The following signal words are used:



DANGER !

- ▶ Draws attention to imminent danger that will lead to serious personal injury or fatality.



WARNING !

- ▶ Draws attention to a potential threat of danger that can lead to serious injury or fatality.



CAUTION !

- ▶ Draws attention to a potentially dangerous situation that could lead to slight personal injury or damage to the equipment or other property.

1.2.2 Symbols in the documentation

The following symbols are used in this document:

	Read the operating instructions before use.
	Instructions for use and other useful information
	Dealing with recyclable materials
	Do not dispose of electric equipment and batteries as household waste

1.2.3 Symbols in the illustrations

The following symbols are used in illustrations:

	These numbers refer to the corresponding illustrations found at the beginning of these operating instructions
3	The numbering reflects the sequence of operations shown in the illustrations and may deviate from the steps described in the text
	Item reference numbers are used in the overview illustrations and refer to the numbers used in the product overview section
	This symbol is intended to draw special attention to certain points when handling the product.

1.3 Product-dependent symbols

1.3.1 Symbols on the product

The following symbols are used on the product:



2233926

	Wear eye protection
n	Rated speed
/min	Revolutions per minute
RPM	Revolutions per minute
\varnothing	Diameter
==	Direct current (DC)
	Wireless data transfer
Li-Ion	Li-ion battery
	Hilti Li-ion battery type series used. Observe the information given in the section headed Intended use.

1.4 Product information

products are designed for professional users and only trained, authorized personnel are permitted to operate, service and maintain the products. This personnel must be specifically informed about the possible hazards. The product and its ancillary equipment can present hazards if used incorrectly by untrained personnel or if used not in accordance with the intended use.

The type designation and serial number are printed on the rating plate.

- ▶ Write down the serial number in the table below. You will be required to state the product details when contacting Hilti Service or your local Hilti organization to inquire about the product.

Product information

Angle grinder	AG 4S-A22
Generation	01
Serial no.	

1.5 Declaration of conformity

We declare, on our sole responsibility, that the product described here complies with the applicable directives and standards. A copy of the declaration of conformity can be found at the end of this documentation.

The technical documentation is filed here:

Hilti Entwicklungsgesellschaft mbH | Tool Certification | Hiltistrasse 6 | 86916 Kaufering, Germany

2 Safety

2.1 Safety instructions

2.1.1 General power tool safety warnings

WARNING Read all safety warnings, instructions, illustrations and specifications provided with this power tool. Failure to follow all instructions listed below may result in electric shock, fire and/or serious injury. **Save all warnings and instructions for future reference.**

The term "power tool" in the warnings refers to your mains-operated (corded) power tool or battery-operated (cordless) power tool.

Work area safety

- ▶ **Keep work area clean and well lit.** Cluttered or dark areas invite accidents.
- ▶ **Do not operate power tools in explosive atmospheres, such as in the presence of flammable liquids, gases or dust.** Power tools create sparks which may ignite the dust or fumes.
- ▶ **Keep children and bystanders away while operating a power tool.** Distractions can cause you to lose control.



Electrical safety

- ▶ **Power tool plugs must match the outlet. Never modify the plug in any way. Do not use any adapter plugs with earthed (grounded) power tools.** Unmodified plugs and matching outlets will reduce risk of electric shock.
- ▶ **Avoid body contact with earthed or grounded surfaces, such as pipes, radiators, ranges and refrigerators.** There is an increased risk of electric shock if your body is earthed or grounded.
- ▶ **Do not expose power tools to rain or wet conditions.** Water entering a power tool will increase the risk of electric shock.
- ▶ **Do not abuse the cord. Never use the cord for carrying, pulling or unplugging the power tool. Keep cord away from heat, oil, sharp edges or moving parts.** Damaged or entangled cords increase the risk of electric shock.
- ▶ **When operating a power tool outdoors, use an extension cord suitable for outdoor use.** Use of a cord suitable for outdoor use reduces the risk of electric shock.
- ▶ **If operating a power tool in a damp location is unavoidable, use a residual current device (RCD) protected supply.** Use of an RCD reduces the risk of electric shock.

Personal safety

- ▶ **Stay alert, watch what you are doing and use common sense when operating a power tool. Do not use a power tool while you are tired or under the influence of drugs, alcohol or medication.** A moment of inattention while operating power tools may result in serious personal injury.
- ▶ **Use personal protective equipment. Always wear eye protection.** Protective equipment such as a dust mask, non-skid safety shoes, hard hat or hearing protection used for appropriate conditions will reduce personal injuries.
- ▶ **Prevent unintentional starting. Ensure the switch is in the off-position before connecting to power source and/or battery pack, picking up or carrying the tool.** Carrying power tools with your finger on the switch or energising power tools that have the switch on invites accidents.
- ▶ **Remove any adjusting key or wrench before turning the power tool on.** A wrench or a key left attached to a rotating part of the power tool may result in personal injury.
- ▶ **Do not overreach. Keep proper footing and balance at all times.** This enables better control of the power tool in unexpected situations.
- ▶ **Dress properly. Do not wear loose clothing or jewellery. Keep your hair, clothing and gloves away from moving parts.** Loose clothes, jewellery or long hair can be caught in moving parts.
- ▶ **If devices are provided for the connection of dust extraction and collection facilities, ensure these are connected and properly used.** Use of dust collection can reduce dust-related hazards.
- ▶ **Do not let familiarity gained from frequent use of tools allow you to become complacent and ignore tool safety principles.** A careless action can cause severe injury within a fraction of a second.

Power tool use and care

- ▶ **Do not force the power tool. Use the correct power tool for your application.** The correct power tool will do the job better and safer at the rate for which it was designed.
- ▶ **Do not use the power tool if the switch does not turn it on and off.** Any power tool that cannot be controlled with the switch is dangerous and must be repaired.
- ▶ **Disconnect the plug from the power source and/or remove the battery pack, if detachable, from the power tool before making any adjustments, changing accessories, or storing power tools.** Such preventive safety measures reduce the risk of starting the power tool accidentally.
- ▶ **Store idle power tools out of the reach of children and do not allow persons unfamiliar with the power tool or these instructions to operate the power tool.** Power tools are dangerous in the hands of untrained users.
- ▶ **Maintain power tools and accessories. Check for misalignment or binding of moving parts, breakage of parts and any other condition that may affect the power tool's operation. If damaged, have the power tool repaired before use.** Many accidents are caused by poorly maintained power tools.
- ▶ **Keep cutting tools sharp and clean.** Properly maintained cutting tools with sharp cutting edges are less likely to bind and are easier to control.
- ▶ **Use the power tool, accessories and tool bits etc. in accordance with these instructions, taking into account the working conditions and the work to be performed.** Use of the power tool for operations different from those intended could result in a hazardous situation.
- ▶ **Keep handles and grasping surfaces dry, clean and free from oil and grease.** Slippery handles and grasping surfaces do not allow for safe handling and control of the tool in unexpected situations.



Battery tool use and care

- ▶ **Recharge only with the charger specified by the manufacturer.** A charger that is suitable for one type of battery pack may create a risk of fire when used with another battery pack.
- ▶ **Use power tools only with specifically designated battery packs.** Use of any other battery packs may create a risk of injury and fire.
- ▶ **When battery pack is not in use, keep it away from other metal objects, like paper clips, coins, keys, nails, screws or other small metal objects, that can make a connection from one terminal to another.** Shorting the battery terminals together may cause burns or a fire.
- ▶ **Under abusive conditions, liquid may be ejected from the battery; avoid contact. If contact accidentally occurs, flush with water. If liquid contacts eyes, additionally seek medical help.** Liquid ejected from the battery may cause irritation or burns.
- ▶ **Do not use a battery pack or tool that is damaged or modified.** Damaged or modified batteries may exhibit unpredictable behaviour resulting in fire, explosion or risk of injury.
- ▶ **Do not expose a battery pack or tool to fire or excessive temperature.** Exposure to fire or temperature above 130° C (265 °F) may cause explosion.
- ▶ **Follow all charging instructions and do not charge the battery pack or tool outside the temperature range specified in the instructions.** Charging improperly or at temperatures outside the specified range may damage the battery and increase the risk of fire.

Service

- ▶ **Have your power tool serviced by a qualified repair person using only identical replacement parts.** This will ensure that the safety of the power tool is maintained.
- ▶ **Never service damaged battery packs.** Service of battery packs should only be performed by the manufacturer or authorized service providers.

2.1.2 Safety warnings common for grinding, sanding, wire brushing, polishing or abrasive cutting-off operations:

- ▶ **This power tool is intended to function as a grinder, sander, wire brush or cut-off tool. Read all safety warnings, instructions, illustrations and specifications provided with this power tool.** Failure to follow all instructions listed below may result in electric shock, fire and/or serious injury.
- ▶ **Operations such as polishing are not recommended to be performed with this power tool.** Operations for which the power tool was not designed may create a hazard and cause personal injury.
- ▶ **Do not use accessories which are not specifically designed and recommended by the tool manufacturer.** Just because the accessory can be attached to your power tool, it does not assure safe operation.
- ▶ **The rated speed of the accessory must be at least equal to the maximum speed marked on the power tool.** Accessories running faster than their rated speed can break and fly apart.
- ▶ **The outside diameter and the thickness of your accessory must be within the capacity rating of your power tool.** Incorrectly sized accessories cannot be adequately guarded or controlled.
- ▶ **Threaded mounting of accessories must match the grinder spindle thread. For accessories mounted by flanges, the arbour hole of the accessory must fit the locating diameter of the flange.** Accessories that do not match the mounting hardware of the power tool will run out of balance, vibrate excessively and may cause loss of control.
- ▶ **Do not use a damaged accessory. Before each use inspect the accessory such as abrasive wheels for chips and cracks, backing pad for cracks, tear or excess wear, wire brush for loose or cracked wires. If power tool or accessory is dropped, inspect for damage or install an undamaged accessory. After inspecting and installing an accessory, position yourself and bystanders away from the plane of the rotating accessory and run the power tool at maximum no-load speed for one minute.** Damaged accessories will normally break apart during this test time.
- ▶ **Wear personal protective equipment. Depending on application, use face shield, safety goggles or safety glasses. As appropriate, wear dust mask, hearing protectors, gloves and workshop apron capable of stopping small abrasive or workpiece fragments.** The eye protection must be capable of stopping flying debris generated by various operations. The dust mask or respirator must be capable of filtering particles generated by your operation. Prolonged exposure to high intensity noise may cause hearing loss.
- ▶ **Keep bystanders a safe distance away from work area. Anyone entering the work area must wear personal protective equipment.** Fragments of workpiece or of a broken accessory may fly away and cause injury beyond immediate area of operation.
- ▶ **Hold the power tool by insulated gripping surfaces only, when performing an operation where the cutting tool may contact hidden wiring.** Contact with a "live" wire will also make exposed metal parts of the power tool "live" and could give the operator an electric shock.



- ▶ **Position the cord clear of the spinning accessory.** If you lose control, the cord may be cut or snagged and your hand or arm may be pulled into the spinning accessory.
- ▶ **Never lay the power tool down until the accessory has come to a complete stop.** The spinning accessory may grab the surface and pull the power tool out of your control.
- ▶ **Do not run the power tool while carrying it at your side.** Accidental contact with the spinning accessory could snag your clothing, pulling the accessory into your body.
- ▶ **Regularly clean the power tool's air vents.** The motor's fan will draw the dust inside the housing and excessive accumulation of powdered metal may cause electrical hazards.
- ▶ **Do not operate the power tool near flammable materials.** Sparks could ignite these materials.
- ▶ **Do not use accessories that require liquid coolants.** Using water or other liquid coolants may result in electrocution or shock.

Kickback and related warnings

Kickback is a sudden reaction to a pinched or snagged rotating wheel, backing pad, brush or any other accessory. Pinching or snagging causes rapid stalling of the rotating accessory which in turn causes the uncontrolled power tool to be forced in the direction opposite of the accessory's rotation at the point of the binding.

For example, if an abrasive wheel is snagged or pinched by the workpiece, the edge of the wheel that is entering into the pinch point can dig into the surface of the material causing the wheel to climb out or kick out. The wheel may either jump toward or away from the operator, depending on direction of the wheel's movement at the point of pinching. Abrasive wheels may also break under these conditions.

Kickback is the result of power tool misuse and/or incorrect operating procedures or conditions and can be avoided by taking proper precautions as given below.

- ▶ **Maintain a firm grip on the power tool and position your body and arm to allow you to resist kickback forces. Always use auxiliary handle, if provided, for maximum control over kickback or torque reaction during start-up.** The operator can control torque reactions or kickback forces, if proper precautions are taken.
- ▶ **Never place your hand near the rotating accessory.** Accessory may kickback over your hand.
- ▶ **Do not position your body in the area where power tool will move if kickback occurs.** Kickback will propel the tool in direction opposite to the wheel's movement at the point of snagging.
- ▶ **Use special care when working corners, sharp edges etc. Avoid bouncing and snagging the accessory.** Corners, sharp edges or bouncing have a tendency to snag the rotating accessory and cause loss of control or kickback.
- ▶ **Do not attach a saw chain woodcarving blade or toothed saw blade.** Such blades create frequent kickback and loss of control.

Safety warnings specific for grinding and abrasive cutting-off operations:

- ▶ **Use only wheel types that are recommended for your power tool and the specific guard designed for the selected wheel.** Wheels for which the power tool was not designed cannot be adequately guarded and are unsafe.
- ▶ **The grinding surface of centre depressed wheels must be mounted below the plane of the guard lip.** An improperly mounted wheel that projects through the plane of the guard lip cannot be adequately protected.
- ▶ **The guard must be securely attached to the power tool and positioned for maximum safety, so the least amount of wheel is exposed towards the operator.** The guard helps to protect the operator from broken wheel fragments, accidental contact with wheel and sparks that could ignite clothing.
- ▶ **Wheels must be used only for recommended applications. For example: do not grind with the side of cut-off wheel.** Abrasive cut-off wheels are intended for peripheral grinding, side forces applied to these wheels may cause them to shatter.
- ▶ **Always use undamaged wheel flanges that are of correct size and shape for your selected wheel.** Proper wheel flanges support the wheel thus reducing the possibility of wheel breakage. Flanges for cut-off wheels may be different from grinding wheel flanges.
- ▶ **Do not use worn down wheels from larger power tools.** Wheel intended for larger power tool is not suitable for the higher speed of a smaller tool and may burst.

Additional safety warnings specific for abrasive cutting-off operations:

- ▶ **Do not "jam" the cut-off wheel or apply excessive pressure. Do not attempt to make an excessive depth of cut.** Overstressing the wheel increases the loading and susceptibility to twisting or binding of the wheel in the cut and the possibility of kickback or wheel breakage.
- ▶ **Do not position your body in line with and behind the rotating wheel.** When the wheel, at the point of operation, is moving away from your body, the possible kickback may propel the spinning wheel and the power tool directly at you.



- ▶ **When wheel is binding or when interrupting a cut for any reason, switch off the power tool and hold the power tool motionless until the wheel comes to a complete stop. Never attempt to remove the cut-off wheel from the cut while the wheel is in motion otherwise kickback may occur.** Investigate and take corrective action to eliminate the cause of wheel binding.
- ▶ **Do not restart the cutting operation in the workpiece. Let the wheel reach full speed and carefully re-enter the cut.** The wheel may bind, walk up or kickback if the power tool is restarted in the workpiece.
- ▶ **Support panels or any oversized workpiece to minimize the risk of wheel pinching and kickback.** Large workpieces tend to sag under their own weight. Supports must be placed under the workpiece near the line of cut and near the edge of the workpiece on both sides of the wheel.
- ▶ **Use extra caution when making a "pocket cut" into existing walls or other blind areas.** The protruding wheel may cut gas or water pipes, electrical wiring or objects that can cause kickback.

Safety warnings specific for sanding operations:

- ▶ **Do not use excessively oversized sanding disc paper. Follow manufacturers recommendations, when selecting sanding paper.** Larger sanding paper extending beyond the sanding pad presents a laceration hazard and may cause snagging, tearing of the disc or kickback.

Safety warnings specific for wire brushing operations:

- ▶ **Be aware that wire bristles are thrown by the brush even during ordinary operation. Do not overstress the wires by applying excessive load to the brush.** The wire bristles can easily penetrate light clothing and/or skin.
- ▶ **If the use of a guard is recommended for wire brushing, do not allow any interference of the wire wheel or brush with the guard.** Wire wheel or brush may expand in diameter due to work load and centrifugal forces.

2.1.3 Additional safety instructions

Personal safety

- ▶ Only use the product if it is in perfect working order.
- ▶ Never tamper with or modify the tool in any way.
- ▶ Avoid touching rotating parts – risk of injury!
- ▶ Wear protective gloves also when changing the accessory tool. Touching the accessory tool presents a risk of injury (cuts or burns).
- ▶ Before starting work, check the hazard class of the dust that will be produced when working. Use an industrial vacuum cleaner with an officially approved protection class in compliance with the locally applicable dust protection regulations. Dust from materials such as lead-based paint, certain types of wood and concrete/masonry/stone containing quartz, minerals or metal may be harmful to health.
- ▶ Make sure that the workplace is well ventilated and, where necessary, wear a respirator appropriate for the type of dust generated. Contact with or inhalation of the dust may cause allergic reactions and/or respiratory or other diseases among operators or bystanders. Certain kinds of dust are classified as carcinogenic such as oak and beech dust, especially in conjunction with additives for wood conditioning (chromate, wood preservative). Material containing asbestos may be handled only by specialists.
- ▶ Take breaks between working and do physical exercises to improve the blood circulation in your fingers. Exposure to vibration during long periods of work can lead to disorders of the blood vessels and nervous system in the fingers, hands and wrists.

Electrical safety

- ▶ Before beginning work, check the working area for concealed electric cables or gas and water pipes. External metal parts of the power tool may give you an electric shock if you damage an electric cable accidentally.

Using and handling power tools with care

- ▶ Do not use cutting discs for grinding.
- ▶ Tighten the accessory tool and flange securely. If the accessory tool and flange are not tightened securely, the accessory tool may work loose from the spindle due to the braking effect of the motor after switching off.
- ▶ Comply with the manufacturer's instructions for handling and storing grinding discs.

2.1.4 Battery use and care

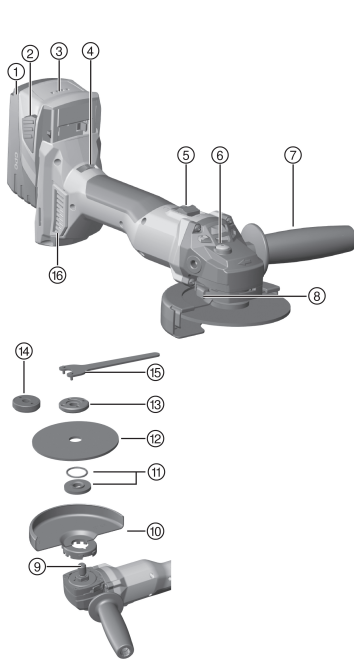
- ▶ Observe the special regulations and instructions applicable to the transport, storage and use of Li-ion batteries.
- ▶ Do not expose batteries to high temperatures, direct sunlight or fire.
- ▶ Do not disassemble, crush or incinerate batteries and do not subject them to temperatures over 80 °C.



- ▶ Do not use or charge batteries that have suffered mechanical impact, have been dropped from a height or show signs of damage. In this case, always contact your **Hilti Service**.
- ▶ If the battery is too hot to touch it may be defective. In this case, place the product in a non-flammable location, well away from flammable materials, where it can be kept under observation and allowed to cool down. In this case, always contact your **Hilti Service**.

3 Description

3.1 Overview of the product



- ① Battery
- ② Battery release button
- ③ Charge state indicator
- ④ Speed regulation
- ⑤ On/off switch
- ⑥ Spindle lock button
- ⑦ Side handle
- ⑧ Guard release button
- ⑨ Spindle
- ⑩ Standard guard
- ⑪ Clamping flange with O-ring
- ⑫ Abrasive cutting disc / abrasive grinding disc
- ⑬ Clamping nut
- ⑭ **Kwik lock** clamping nut (optional)
- ⑮ Pin wrench
- ⑯ Dust filter

3.2 Intended use

The product described is a hand-held cordless angle grinder. It is designed for cutting and grinding metal and mineral materials, brushing, sanding and for hole cutting in tiles, all without use of water. It can be used only for dry grinding / cutting.

- The power tool may be used for cutting, slitting and grinding mineral materials only when equipped with the corresponding guard (optional accessory).
- A dust removal hood together with a suitable **Hilti** vacuum cleaner must be used for working on mineral materials such as concrete or stone.
- ▶ Use only **Hilti** Li-ion batteries of the B 22 series with this product.
- ▶ Use only **Hilti** battery chargers of the C4/36 series for charging these batteries.

3.3 Items supplied

Angle grinder, side handle, standard guard, front cover, clamping flange, clamping nut, pin wrench, dust filter, operating instructions.

Other system products approved for use with this product can be found at your local **Hilti Store** or online at: www.hilti.group.




2233926

English

7

3.4 ATC

The power tool is equipped with the ATC (Active Torque Control) quick-acting electronic cut-out. If the accessory tool sticks or stalls, the power tool will suddenly pivot about its own axis in the opposite direction. ATC detects this sudden pivoting movement of the power tool and switches the tool off immediately.

-  For ATC to function correctly, the power tool must be free to pivot.
After an ATC cut-out, switch the power tool off and then on again.

3.5 Temperature-dependent motor protection

The temperature-dependent motor protection system monitors current input and motor temperature and thus prevents the power tool overheating.

If the motor is overloaded through application of excessive working pressure, the power tool's performance drops noticeably or it may stall completely.

If the power tool stalls or slows significantly due to overloading, release the pressure applied to the tool and then allow it to run under no load for approx. 30 seconds.

3.6 Guard with front cover

When grinding with straight grinding discs and cutting with cutting discs in metalworking applications, use the standard guard with front cover.

3.7 DC-EX 125/5" C compact dust hood for cutting (accessory)

When cutting mineral materials with diamond cutting discs, use the DC-EX 125/5" C compact hood.

Use of this guard for working on metal is not permissible.

3.8 DC-EX 125/5" M dust hood for grinding (accessory)

The power tool must be equipped with a dust hood when mineral materials are cut or slit with diamond cutting discs.

CAUTION Use of this hood for working on metal is prohibited.

3.9 DG-EX 125/5" dust hood for grinding (accessory)


The grinding system is suitable only for occasional use with diamond cup wheels for grinding mineral materials.

Use of this guard for working on metal is not permissible.

3.10 Li-ion battery charge status display

The charge status of the Li-ion battery is displayed after one of the two battery release buttons is pressed.

Status	Meaning
4 LEDs light.	Charge status: 75 % to 100 %
3 LEDs light.	Charge status: 50 % to 75 %
2 LEDs light.	Charge status: 25 % to 50 %
1 LED lights up.	Charge status: 10 % to 25 %
1 LED flashes.	Charge status: < 10 %

-  Indication of the charge status is not possible while the power tool is in operation or immediately after operation. If the battery charge status LEDs flash, please refer to the information given in the Troubleshooting section.

4 Consumables

Only synthetic resin-bonded, fiber-reinforced discs with maximum Ø 125 mm which are approved for use at a rotational speed of at least 11,000/min and a peripheral speed of 80 m/s may be used.

The maximum permissible grinding disc thickness is 6.4 mm and the maximum cutting disc thickness is 3.0 mm.



ATTENTION! When cutting or slitting with abrasive cutting discs always use the standard guard with the additional front cover, or a fully enclosing dust hood.

Discs

Type	Application	Designation	Material
Abrasive cutting disc	Cutting, slitting	AC-D	Metal
Diamond cutting disc	Cutting, slitting	DC-TP, DC-D (SPX, SP, P)	Mineral
Abrasive grinding disc	Rough grinding	AG-D, AF-D, AN-D	Metal
Diamond grinding disc	Rough grinding	DG-CW (SPX, SP, P)	Mineral
Wire brushes	Wire brushes	3CS, 4CS, 3SS, 4SS	Metal
Diamond core bit	Drilling in tiles	DD-M14	Mineral
Abrasive resin-fiber disc	Rough grinding	AP-D	Metal

Suitability of discs for the equipment used

Item	Equipment	AC-D	AG-D, AF-D, AN-D	DG-CW (SPX, SP, P)	DC-TP, DC-D (SPX, SP, P)	AP-D	3CS, 4CS, 3SS, 4SS, DD-M14
A	Guard	X	X	X	X	X	X
B	Front cover (in combination with A)	X	—	—	X	—	—
C	Dust hood (grinding) DG-EX 125/5"	—	—	X	—	—	—
D	Dust hood (cutting) DC-EX 125/5"C (in combination with A)	—	—	—	X	—	—
E	DC-EX 125/5"M dust hood for slitting	—	—	—	X	—	—
F	DC-EX SL adapter (in combination with E)	—	—	—	X	—	—
G	Side handle	X	X	X	X	X	X
H	Clamping nut	X	X	X	X	—	—
I	Clamping flange	X	X	X	X	—	—
J	Kwik lock (optional instead of H)	X	X	—	X	—	—
K	Clamping nut for abrasive resin-fiber disc	—	—	—	—	X	—
L	Support plate	—	—	—	—	X	—

5 Technical data

	AG 4S-A22-125
Rated voltage	21.6 V
Rated speed	8,500 /min
Maximum disc diameter	125 mm
Weight in accordance with EPTA procedure 01	3.1 kg
Drive spindle thread	M14
Spindle length	22 mm



2233926

	AG 4S-A22-125
Ambient temperature for operation	-17 °C ... 60 °C
Storage temperature	-20 °C ... 70 °C

5.1 Technical data

Spindle length	22 mm
Ambient temperature for operation	-17 °C ... 60 °C
Storage temperature	-20 °C ... 70 °C

5.2 Battery

Battery operating voltage	21.6 V
Ambient temperature for operation	-17 °C ... 60 °C
Storage temperature	-20 °C ... 40 °C
Battery charging starting temperature	-10 °C ... 45 °C

5.3 Noise information and vibration values in accordance with EN 60745

The sound pressure and vibration values given in these instructions have been measured in accordance with a standardized test and may be used to compare one power tool with another. They may be used for a preliminary assessment of exposure.

The data given represents the main applications of the power tool. However, if the power tool is used for different applications, with different accessory tools or is poorly maintained, the data may vary. This may significantly increase exposure over the total working period.

An accurate estimation of exposure should also take into account the times when the power tool is switched off, or when it is running but not actually being used for a job. This may significantly reduce exposure over the total working period.

Identify additional safety measures to protect the operator from the effects of noise and/or vibration, for example: Maintaining the power tool and accessory tools, keeping the hands warm, organization of work patterns.

AG 4S-A22-125

Noise information

Emission sound pressure level (L_{pA})	81.5 dB(A)
Uncertainty for the sound pressure level (K_{pA})	3 dB(A)
Sound power level (L_{WA})	92.5 dB(A)
Uncertainty for the sound power level (K_{WA})	3 dB(A)

Vibration information

Other applications, such as cutting, may produce vibration values that deviate from the given values.

Surface grinding with the vibration-absorbing side handle ($a_{h,AG}$)	4.7 m/s ²
Sanding with sandpaper with the vibration-absorbing side handle ($a_{h,DS}$)	5.3 m/s ²
Uncertainty (K)	1.5 m/s ²

6 Before use

6.1 Charging the battery

1. Before charging the battery, read the operating instructions for the charger.
2. Make sure that the contacts on the battery and the contacts on the charger are clean and dry.
3. Use an approved charger to charge the battery.



6.2 Inserting the battery

CAUTION

Risk of injury by short circuit or falling battery!

- ▶ Before inserting the battery, make sure that the contacts on the battery and the contacts on the product are free of foreign matter.
- ▶ Make sure that the battery always engages correctly.

1. Charge the battery fully before using it for the first time.
2. Push the battery into the battery holder until it engages with an audible click.
3. Check that the battery is seated securely.

6.3 Removing the battery

1. Press the release buttons on the battery.
2. Pull the battery out of its holder in the device.

6.4 Fitting the side handle

- ▶ Screw the side handle into one of the threaded bushings provided.

6.5 Fitting or removing the guard

CAUTION

Risk of injury. The accessory tool may be hot or have sharp edges.

- ▶ Wear protective gloves when fitting, removing or adjusting the accessory tool or other parts and when troubleshooting.

- ▶ Observe the instructions for fitting the applicable guard.

6.5.1 Installing standard guard



The guard is equipped with locating lugs that ensure only guards of a type suitable for use with the power tool can be fitted. The locating lugs of the guard fit into the guard mount on the power tool.

1. Fit the guard onto the drive spindle collar so that the two triangular marks on the guard and on the power tool are in alignment.
2. Press the guard onto the drive spindle collar.
3. Press the guard release button and then rotate the guard until it engages in the desired position.
 - ↳ The guard release button jumps back.

6.5.2 Adjusting standard guard

- ▶ Press the guard release button and then rotate the guard until it engages in the desired position.

6.5.3 Removing standard guard

1. Press the guard release button and then rotate the guard until the triangular marks on the guard and the power tool are in alignment.
2. Remove the guard.

6.6 Fitting or removing the front cover



The front cover, when used, is clipped onto the guard.

1. Position the front cover with the closed side on the standard guard and push it on until it engages.
2. To remove it, release the catch for the front cover and then lift the front cover away from the standard guard.



6.7 Fitting and removing accessory tools

WARNING

Risk of injury. The accessory tool may work loose due to the braking effect of the motor.

- ▶ Wait until the accessory tool has come to a standstill before touching or gripping the accessory tool or the clamping nut.
- ▶ Secure the accessory tool by tightening the clamping flange and clamping nut firmly so that no parts work loose from the spindle due to the braking effect of the motor.

CAUTION

Risk of injury. The accessory tool may be hot.

- ▶ Wear protective gloves when changing the accessory tool.



Diamond discs must be replaced when their cutting or grinding performance drops significantly. This generally is the case when the segments reach a height of less than 2 mm.

Other discs must be replaced when their cutting performance drops significantly or other parts of the angle grinder (not the disc) come into contact with the material you are working on.

Abrasive discs must be replaced when their expiry date has been reached.

6.7.1 Fitting an accessory tool

1. Remove the battery. → page 11
2. Check that the O-ring is in place in the clamping flange and that it is undamaged.

Result

The O-ring is damaged.

There is no O-ring in the clamping flange.

- ▶ Fit a new clamping flange with O-ring.
3. Fit the clamping flange onto the drive spindle (keyed fit to prevent slipping/rotation).
 4. Fit the accessory tool.
 5. Screw on the clamping nut corresponding to the type of accessory tool fitted.
 6. Press the spindle lockbutton and hold it in this position.
 7. Use the pin wrench to tighten the clamping nut securely, then release the spindle lockbutton and remove the wrench.

6.7.2 Removing the accessory tool

1. Remove the battery. → page 11

CAUTION

Risk of breakage and irreparable damage. If the spindle lockbutton is pressed while the spindle is rotating, the accessory tool can detach from the power tool.

- ▶ Press the spindle lockbutton only when the spindle has stopped rotating.
2. Press the spindle lockbutton and hold it in this position.
 3. Release the clamping nut by gripping it with the wrench and turning the nut counterclockwise.
 4. Release the spindle lockbutton and remove the accessory tool.

6.7.3 Fitting an accessory tool secured with a **Kwik lock** nut

CAUTION

Risk of breakage. Heavy wear (abrasion) may cause the **Kwik lock** nut to break.

- ▶ When working with the power tool, make sure that the **Kwik lock** nut doesn't come into contact with the working surface.
- ▶ Do not use a damaged **Kwik lock** nut.



The optional **Kwik lock** nut can be used instead of the standard clamping nut. Accessory tools (discs etc.) can then be changed without need for additional tools (keyless system).

1. Remove the battery. → page 11



2. Check that the O-ring is in place in the clamping flange and that it is undamaged.

Result

The O-ring is damaged.

There is no O-ring in the clamping flange.

- ▶ Fit a new clamping flange with O-ring.

3. Clean the clamping flange and the quick-release clamping nut.
4. Fit the clamping flange onto the drive spindle.
5. Fit the accessory tool.
6. Screw on the **Kwik lock** nut until it is seated against the accessory tool.
 - ↳ The name **Kwik lock** should be visible when the nut is screwed on.
7. Press the spindle lock button and hold it in this position.
8. Turn the accessory tool firmly by hand in a clockwise direction until the **Kwik lock** nut is tightened securely and then release the spindle lock button.

6.7.4 Removing an accessory tool secured with a **Kwik lock** nut

1. Remove the battery. → page 11

CAUTION

Risk of breakage and irreparable damage. If the spindle lockbutton is pressed while the spindle is rotating, the accessory tool can detach from the power tool.

- ▶ Press the spindle lockbutton only when the spindle has stopped rotating.
-
2. Press the spindle lockbutton and hold it in this position.
 3. Release the **Kwik lock** nut by turning it counterclockwise by hand.
 4. If the **Kwik lock** nut cannot be released by turning it by hand, use a pin wrench to turn the nut in a counterclockwise direction.
-



Never use a pipe wrench! A pipe wrench could damage the **Kwik lock** nut.

5. Release the spindle lockbutton and remove the accessory tool.

6.7.5 Fitting the core bit **10**

1. Remove the battery. → page 11
2. Fit the side handle. → page 11
3. Install the standard guard.
4. Place the core bit in position and tighten it hand-tight.
5. Press and hold down the spindle lock button.
6. Tighten the core bit with a suitable open-end wrench.
7. Then release the spindle lock button and remove the open-end wrench.

6.7.6 Fitting the wire brush **11**

1. Remove the battery. → page 11
2. Fit the side handle. → page 11
3. Install the standard guard.
4. Place the wire brush in position and tighten it hand-tight.
5. Press and hold down the spindle lock button.
6. Tighten the wire brush with a suitable open-end wrench.
7. Then release the spindle lock button and remove the open-end wrench.

6.7.7 Fitting the abrasive resin-fiber disc **12**

1. Remove the battery. → page 11
2. Fit the side handle. → page 11
3. Install the standard guard.
4. Fit the support plate and the abrasive resin-fiber disc, screw on the clamping nut and tighten it securely.
5. Press the spindle lock button and hold it in this position.
6. Use the pin wrench to tighten the clamping nut.
7. Release the spindle lock button and remove the pin wrench.



7 Operation

7.1 Switching on

1. Press the rear section of the on/off switch.
2. Slide the on/off switch forward.
 - ↳ The motor runs.
3. Lock the on/off switch.

7.2 Grinding

CAUTION

Risk of injury. The accessory tool may suddenly stick or stall.

- ▶ Use the power tool with the side handle fitted and always hold it securely with both hands.
-

7.3 Cutting

- ▶ When cutting, apply moderate feed pressure and do not tilt the power tool or the cutting disc (when working, hold at approx. 90° to the surface being cut).



For best results when cutting profiles and square tube, start cutting at the smallest cross section.

7.4 Rough grinding

CAUTION

Risk of injury. The abrasive cutting disc could shatter and flying fragments may cause injury.

- ▶ Never use abrasive cutting discs for grinding.
 - ▶ Move the power tool to and fro while maintaining a 5° to 30° angle of attack and applying moderate pressure.
 - ↳ This will avoid overheating and discoloration of the workpiece and help ensure an even surface finish.
-

7.5 Switching off

- ▶ Press the rear section of the on/off switch.
 - ↳ The on/off switch jumps into the off position and the motor stops.

8 Care and maintenance

WARNING

Risk of injury with battery inserted !

- ▶ Always remove the battery before carrying out care and maintenance tasks!
-

Care and maintenance of the tool

- Carefully remove any dirt that may be adhering to parts.
- Remove the dust filter and clean it and the air vents carefully, using a dry brush.
- Use only a slightly damp cloth to clean the casing. Do not use cleaning agents containing silicone as these can attack the plastic parts.

Care of the lithium-ion batteries

- Keep the battery free from oil and grease.
- Use only a slightly damp cloth to clean the casing. Do not use cleaning agents containing silicone as these may attack the plastic parts.
- Avoid ingress of moisture.

Maintenance

- Check all visible parts and controls for signs of damage at regular intervals and make sure that they all function correctly.
- Do not operate the product if signs of damage are found or if parts malfunction. Have it repaired immediately by Hilti Service.



- After cleaning and maintenance, fit all guards or protective devices and check that they function correctly.



To help ensure safe and reliable operation, use only genuine Hilti spare parts and consumables. Spare parts, consumables and accessories approved by Hilti for use with the product can be found at your local **Hilti Store** or online at: www.hilti.group.

9 Transport and storage of cordless tools

Transport

CAUTION

Accidental starting during transport !

- ▶ Always transport your products with the batteries removed!
- ▶ Remove the battery.
- ▶ Never transport batteries in bulk form (loose, unprotected).
- ▶ Check the tool and batteries for damage before use after long periods of transport.

Storage

CAUTION

Accidental damage caused by defective or leaking batteries !

- ▶ Always store your products with the batteries removed!
- ▶ Store the tool and batteries in a place that is as cool and dry as possible.
- ▶ Never store batteries in direct sunlight, on heating units or behind a window pane.
- ▶ Store the tool and batteries in a place where they cannot be accessed by children or unauthorized persons.
- ▶ Check the tool and batteries for damage before use after long periods of storage.

10 Troubleshooting

If the trouble you are experiencing is not listed in this table or you are unable to remedy the problem by yourself, please contact **Hilti Service**.

10.1 Troubleshooting

Trouble or fault	Possible cause	Action to be taken
The battery runs down more quickly than usual.	Very low ambient temperature.	▶ Allow the battery to warm up slowly to room temperature.
The battery doesn't engage with an audible click.	The retaining lugs on the battery are dirty.	▶ Clean the retaining lugs and refit the battery.
1 LED flashes. The device does not work.	Low battery.	▶ Change the battery and charge the empty battery.
	The battery is too hot or too cold.	▶ Allow the battery to cool down or warm up slowly to room temperature.
All 4 LEDs flash. The device does not work.	The tool has been overloaded.	▶ Release the control switch and then press it again. Then allow the power tool to run under no load for approx. 30 seconds.
The angle grinder or battery gets very hot.	Electrical fault	▶ Switch the power tool off immediately, remove the battery, keep it under observation, allow it to cool down and contact Hilti Service .
The tool does not achieve full power.	A battery with inadequate capacity was used.	▶ Use a battery with adequate capacity.
The motor has no braking effect.	Low battery.	▶ Change the battery and charge the empty battery.



Trouble or fault	Possible cause	Action to be taken
The motor has no braking effect.	The power tool was overloaded briefly.	▶ Switch the power tool off and then on again.

11 RoHS (Restriction of Hazardous Substances)

Click on the link to go to the table of hazardous substances: qr.hilti.com/r9884540.

There is a link to the RoHS table, in the form of a QR code, at the end of this document.

12 Disposal

Most of the materials from which **Hilti** tools and appliances are manufactured can be recycled. The materials must be correctly separated before they can be recycled. In many countries, your old tools, machines or appliances can be returned to **Hilti** for recycling. Ask **Hilti** Service or your Hilti representative for further information.

Battery disposal

Improper disposal of batteries can result in health hazards from leaking gases or fluids.

- ▶ DO NOT send batteries through the mail!
- ▶ Cover the terminals with a non-conductive material (such as electrical tape) to prevent short circuiting.
- ▶ Dispose of your battery out of the reach of children.
- ▶ Dispose of the battery at your **Hilti Store**, or consult your local governmental garbage disposal or public health and safety resources for disposal instructions.



- ▶ Do not dispose of power tools, electronic equipment or batteries as household waste!

13 Manufacturer's warranty

- ▶ Please contact your local **Hilti** representative if you have questions about the warranty conditions.



1 Oplysninger vedrørende dokumentationen

1.1 Vedrørende denne dokumentation

- Læs denne dokumentation igennem før brugtagning. Det er en forudsætning for sikkert arbejde og korrekt håndtering.
- Følg sikkerheds- og advarselshenvisningerne i denne dokumentation og på produktet.
- Opbevar altid brugsanvisningen sammen med produktet, og overdrag det kun til andre personer sammen med denne anvisning.

1.2 Tegnforklaring

1.2.1 Advarsler

Advarsler advarer mod farer ved håndtering af produktet. Følgende signalord anvendes:



FARE

FARE !

- ▶ Betegner en umiddelbart truende fare, der kan medføre alvorlige kvæstelser eller døden.



ADVARSEL

ADVARSEL !

- ▶ Står ved en potentielt truende fare, der kan medføre alvorlige kvæstelser eller døden.



FORSIGTIG

FORSIGTIG !

- ▶ Betegner en potentielt farlig situation, der kan forårsage lettere personskader eller materielle skader.

1.2.2 Symboler i denne dokumentation

Følgende symboler anvendes i denne dokumentation:

	Læs brugsanvisningen før brug
	Anvisninger for anvendelse og andre nyttige oplysninger
	Håndtering af genvindbare materialer
	Elektriske maskiner og batterier må ikke bortskaffes som almindeligt husholdningsaffald

1.2.3 Symboler i illustrationer

Følgende symboler anvendes på illustrationer:

	Disse tal henviser til de forskellige illustrationer i begyndelsen af brugsanvisningen
	Nummereringen udtrykker arbejdsstrinenes rækkefølge på illustrationen og kan afvige fra arbejds-trinene i teksten
	Positionsnumre anvendes i illustrationen Oversigt og refererer til tallene i symbolforklaringen i afsnittet Produktoversigt
	Dette symbol skal sikre skærpet opmærksomhed ved omgang med produktet.

1.3 Produktspecifikke symboler

1.3.1 Symboler på produktet

Følgende symboler anvendes på produktet:

	Brug beskyttelsesbriller
--	--------------------------



2233926

Dansk

17

n	Nominelt omdrejningstal
/min	Omdrejninger pr. minut
RPM	Omdrejninger pr. minut
Ø	Diameter
≡	Jævnstrøm
	Trådløs dataoverførsel
Li-Ion	Lithium-ion-batteri
	Anvendt Hilti lithium-ion-batteritypeserie. Overhold oplysningerne i kapitlet Bestemmelsesmæssig anvendelse .

1.4 Produktoplysninger

HILTI-produkter er beregnet til professionel brug og må kun betjenes, efterses og vedligeholdes af autoriseret og instrueret personale. Dette personale skal i særdeleshed informeres om de potentielle farer, der er forbundet med anvendelsen af denne maskine. Der kan opstå farlige situationer ved anvendelse af produktet og det tilhørende udstyr, hvis det anvendes af personer, der ikke er blevet undervist i dens brug, eller hvis det ikke anvendes korrekt i henhold til forskrifterne i denne brugsanvisning.

Typebetegnelse og serienummer fremgår af typeskiltet.

- ▶ Notér serienummeret i den efterfølgende tabel. Du skal bruge produktoplysningerne ved henvendelser til vores lokale afdeling eller vores serviceværksted.

Produktoplysninger

Vinkelsliber	AG 4S-A22
Generation	01
Serienummer	

1.5 Overensstemmelseserklæring

Vi erklærer som eneansvarlige, at det beskrevne produkt er i overensstemmelse med gældende direktiver og standarder. Sidst i dette dokument finder du et bilede af overensstemmelseserklæringen.

Den tekniske dokumentation er arkiveret her:

Hilti Entwicklungsgesellschaft mbH | Zulassung Geräte | Hiltistraße 6 | 86916 Kaufering, DE

2 Sikkerhed

2.1 Sikkerhedsanvisninger

2.1.1 Generelle sikkerhedsanvisninger for elværktøj

⚠ ADVARSEL Læs alle sikkerhedsanvisninger, henvisninger, billedtekster og tekniske data på elværktøjet. Hvis følgende anvisninger ikke overholdes, er der risiko for elektrisk stød, brand og/eller alvorlige personskader.

Opbevar alle sikkerhedsanvisninger og instruktioner til senere brug.

Det benyttede begreb "elværktøj" i sikkerhedsanvisningerne refererer til elektriske maskiner (med netledning) eller batteridrevne maskiner (uden netledning).

Arbejdspladssikkerhed

- ▶ **Sørg for at holde arbejdsområdet ryddeligt og godt oplyst.** Uorden eller uoplyste arbejdsområder øger faren for uheld.
- ▶ **Brug ikke elværktøj i eksplosionstruede omgivelser, hvor der er brændbare væsker, gasser eller støv.** Elværktøj kan slå gnister, der kan antænde støv eller dampe.
- ▶ **Sørg for, at andre personer og ikke mindst børn holdes væk fra arbejdsområdet, når elværktøjet er i brug.** Hvis man distraheres, kan man miste kontrollen over maskinen.



Elektrisk sikkerhed

- ▶ **Elværktøjets stik skal passe til kontakten. Stikket må under ingen omstændigheder ændres. Brug ikke adapterstik sammen med jordforbundne elværktøje.** Uændrede stik, der passer til kontakterne, nedsætter risikoen for elektrisk stød.
- ▶ **Undgå kropskontakt med jordforbundne overflader som f.eks. rør, radiatorer, komfurer og køleskabe.** Hvis din krop er jordforbundet, øges risikoen for elektrisk stød.
- ▶ **Elværktøj må ikke udsættes for regn eller fugt.** Indtrængning af vand i elværktøj øger risikoen for elektrisk stød.
- ▶ **Brug ikke ledningen til formål, den ikke er beregnet til (f.eks. må man aldrig bære elværktøjet i ledningen, hænge det op i ledningen eller rykke i ledningen for at trække stikket ud af kontakten). Beskyt ledningen mod varme, olie, skarpe kanter eller dele, der er i bevægelse.** Beskadigede eller sammenviklede ledninger øger risikoen for elektrisk stød.
- ▶ **Hvis elværktøjet benyttes i det fri, må der kun benyttes en forlængerledning, der er egnet til udendørs brug.** Brug af forlængerledning til udendørs brug nedsætter risikoen for elektrisk stød.
- ▶ **Hvis det ikke kan undgås at anvende elværktøjet i fugtige omgivelser, skal du anvende et fejlstrømsrelæ.** Anvendelsen af et fejlstrømsrelæ nedsætter risikoen for et elektrisk stød.

Personlig sikkerhed

- ▶ **Det er vigtigt at være opmærksom, se, hvad man laver, og bruge maskinen fornuftigt. Anvend aldrig elværktøj, hvis du er træt eller påvirket af stoffer, alkohol eller medicin.** Et øjeblik uopmærksomhed under brugen af elværktøjet kan medføre alvorlige personskader.
- ▶ **Brug beskyttelsesudstyr, og hav altid beskyttelsesbriller på.** Brug af sikkerhedsudstyr som f.eks. støvmaske, skridsikkert fodtøj, beskyttelseshjelm eller høreværn afhængigt af elværktøjets type og anvendelse nedsætter risikoen for personskader.
- ▶ **Undgå utilsigtet igangsætning. Kontrollér, at elværktøjet er frakoblet, før du slutter det til strømforsyningen og/eller batteriet, tager det op eller transporterer det.** Undgå at bære elværktøjet med fingeren på afbryderen, og sørg for, at det ikke er tændt, når det slutes til nettet, da dette øger risikoen for personskader.
- ▶ **Fjern indstillingsværktøj eller skruenøgler, inden elværktøjet tændes.** Hvis et stykke værktøj eller en nøgle sidder i en roterende maskindel, er der risiko for personskader.
- ▶ **Undgå at arbejde i unormale kropstillinger. Sørg for at stå sikkert, mens der arbejdes, og kom ikke ud af balance.** Det er derved nemmere at kontrollere elværktøjet, hvis der skulle opstå uventede situationer.
- ▶ **Brug egnet arbejdstøj. Undgå løse beklædningsgenstande eller smykker. Hold hår, tøj og handsker væk fra dele, der bevæger sig.** Dele, der er i bevægelse, kan gribe fat i løstsiddende tøj, smykker eller langt hår.
- ▶ **Hvis støvudsugnings- og opsamlingsudstyr kan monteres, er det vigtigt, at dette tilsluttes og benyttes korrekt.** Ved at anvende en støvudsugning er det muligt at nedsætte risiciene som følge af støv.
- ▶ **Man må ikke ignorere sikkerhedsreglerne for elværktøj, heller ikke selvom man er fortrolig med brugen af elværktøjet.** Uagtsomhed kan medføre alvorlig tilskadekomst inden for få sekunder.

Anvendelse og pleje af elværktøjet

- ▶ **Undgå at overbelaste maskinen. Brug altid en maskine, der er beregnet til det stykke arbejde, der skal udføres.** Med det rigtige værktøj arbejder man bedst og mest sikkert inden for det angivne effektområde.
- ▶ **Brug ikke elværktøj, hvis afbryderen er defekt.** En maskine, der ikke kan startes og stoppes, er farlig og skal repareres.
- ▶ **Træk stikket ud af stikkontakten, og/eller fjern batteriet fra maskinen, inden du foretager indstillinger på den, skifter tilbehør og dele eller lægger den til side.** Disse sikkerhedsforanstaltninger forhindrer utilsigtet start af elværktøjet.
- ▶ **Opbevar ubenyttede elværktøjer uden for børns rækkevidde. Lad aldrig personer, der ikke er fortrolige med maskinen eller ikke har gennemlæst sikkerhedsanvisningerne, benytte denne.** Elværktøj er farligt, hvis det benyttes af ukyndige personer.
- ▶ **Sørg for at pleje elværktøj omhyggeligt. Kontrollér, om bevægelige dele fungerer korrekt og ikke sidder fast, og om delene er brækket eller beskadiget, således at elværktøjets funktion påvirkes. Få beskadigede dele repareret, inden elværktøjet tages i brug.** Mange uheld skyldes dårligt vedligeholdte elværktøjer.
- ▶ **Sørg for, at skæreværktøjer er skarpe og rene.** Omhyggeligt vedligeholdte skæreværktøjer med skarpe skærekanter sætter sig ikke så hurtigt fast og er nemmere at føre.



- ▶ **Anvend elværktøj, tilbehør, indsatsværktøj osv. i overensstemmelse med disse anvisninger. Tag hensyn til arbejdsforholdene og det arbejde, der skal udføres.** I tilfælde af anvendelse af maskinen til formål, som ligger uden for det fastsatte anvendelsesområde, kan der opstå farlige situationer.
- ▶ **Sørg for, at greb og gribeblader er tørre, rene og fri for olie og fedt.** Glatte greb og gribeblader gør betjeningen usikker, og det kan være svært at styre elværktøjet i uforudsete situationer.

Anvendelse og pleje af batteridrevet elværktøj

- ▶ **Oplad kun batterier i ladere, der er anbefalet af fabrikanten.** Der er risiko for brand, hvis en lader, der er beregnet til et bestemt batteri, anvendes til opladning af en anden batteritype.
- ▶ **Brug kun de batterier, der er beregnet til elværktøjet.** Brug af andre batterier øger risikoen for personskader og er forbundet med brandfare.
- ▶ **Ikke benyttede batterier må ikke komme i berøring med kontorclips, mønter, nøgler, søm, skruer eller andre små metalgenstande, da disse kan kortslutte kontakterne.** En kortslutning mellem batterikontakterne øger risikoen for personskader i form af forbrændinger.
- ▶ **Hvis batteriet anvendes forkert, kan der løbe væske ud af batteriet. Undgå at komme i kontakt med denne væske. Hvis det alligevel skulle ske, skylles med vand. Søg læge, hvis væsken kommer i øjnene.** Batterivæske kan give hudirritation eller forbrændinger.
- ▶ **Brug aldrig et beskadiget eller ændret batteri.** Beskadigede eller ændrede batterier kan virke utilsigtet og medføre brand, eksplosion eller risiko for tilskadekomst.
- ▶ **Batterier må ikke udsættes for åben ild eller høje temperaturer.** Ild eller temperaturer over 130 °C (265 °F) kan medføre eksplosion.
- ▶ **Følg alle anvisninger vedrørende opladning, og oplad aldrig batteriet eller det batteridrevne værktøj uden for det temperaturområde, der er anført i betjeningsvejledningen.** Forkert opladning eller opladning uden for det tilladte temperaturområde kan ødelægge batteriet og øge risikoen for brand.

Service

- ▶ **Sørg for, at elværktøjet kun reparerer af kvalificerede fagfolk, og at der altid benyttes originale reservedele.** Dermed sikres størst mulig elværktøjsikkerhed.
- ▶ **Forsøg aldrig at reparere beskadigede batterier.** Al vedligeholdelse af batterier skal foretages af producenten eller af autoriserede forhandlere.

2.1.2 Generelle sikkerhedsanvisninger for slibning, sandpapirslibning, arbejde med trådbørster, polering og skæring:

- ▶ **Dette elværktøj kan anvendes som sliber, sandpapirsliber, trådbørste og skære-/slibemaskine. Overhold alle de sikkerhedsanvisninger, anvisninger, diagrammer og data, som følger med maskinen.** Hvis du ikke overholder følgende anvisninger, kan det medføre elektrisk stød, brand og/eller alvorlige personskader.
- ▶ **Dette elværktøj egner sig ikke til polering.** Anvendelsesformål, som elværktøjet ikke er beregnet til, kan indebære risici og personskader.
- ▶ **Anvend ikke tilbehør, som ikke er specielt beregnet til dette elværktøj og anbefalet af producenten.** Kun hvis du kan montere tilbehøret på elværktøjet, er maskinen sikker at bruge.
- ▶ **Indsatsværktøjets tilladte omdrejningstal skal være mindst lige så højt som det maksimale omdrejningstal angivet på elværktøjet.** Tilbehør, der roterer hurtigere end det tilladte omdrejningstal, kan gå i stykker og slynge dele ud.
- ▶ **Indsatsværktøjets udvendige diameter og tykkelse skal svare til de mål, der er angivet for elværktøjet.** Forkert dimensionerede indsatsværktøjer kan ikke afskærmes eller kontrolleres tilstrækkeligt.
- ▶ **Indsatsværktøjer med gevindindsats skal passe præcist på slibespindelens gevind. Ved indsatsværktøjer, som er monteret med flange, skal indsatsværktøjets huldiameter passe til flangens holdediameter.** Indsatsværktøjer, som ikke fastgøres præcist på elværktøjet, roterer ujævnt, vibrerer utrolig kraftigt og kan medføre, at man mister kontrollen over værktøjet.
- ▶ **Anvend aldrig beskadigede indsatsværktøjer. Kontrollér hver gang før brug indsatsværktøjer såsom slibeskiver for slagmærker og revner, slibetallerkner for revner, slid eller alvorlige skader, samt trådbørster for løse eller brækkede tråde. Hvis elværktøjet eller indsatsværktøjet falder på gulvet, skal du kontrollere, om det er blevet beskadiget, eller anvende et intakt indsatsværktøj. Når du har kontrolleret og isat indsatsværktøjet, skal du og personer i nærheden blive uden for det roterende indsatsværktøjs fareområde og lade elværktøjet køre med maksimal omdrejningstal i ét minut.** Beskadigede indsatsværktøjer brækker for det meste i løbet af denne testperiode.
- ▶ **Brug personligt beskyttelsesudstyr. Brug ansigtsmaske, øjenværn eller beskyttelsesbriller afhængigt af opgaven. Brug så vidt muligt støvmaske, høreværn, beskyttelseshandsker eller specialforklæde, som beskytter dig imod små slibe- og materialepartikler. Øjnene skal beskyttes imod flyvende fremmedlegemer, som opstår i forbindelse med forskellige opgaver. Støvmaske og ånde-**



dræsværn skal bortfiltrere det støv, der opstår i forbindelse af den konkrete opgave. Hvis du udsættes for et højt støjniveau igennem længere tid, kan det medføre nedsat hørelse.

- ▶ **Sørg for, at andre personer opholder sig i sikker afstand af dit arbejdsområde. Alle, som befinder sig i arbejdsområdet, skal bære personligt beskyttelsesudstyr.** Brudstykker fra emnet eller beskadigede indsatsværktøjer kan slynges ud og medføre personskader også uden for det direkte arbejdsområde.
- ▶ **Hold kun elværktøjet på de isolerede grebsflader, når du udfører opgaver, hvor indsatsværktøjet kan ramme skjulte strømledninger.** Ved kontakt med en spændingsførende ledning kan også metalliske værktøjsdele sættes under spænding, hvilket kan medføre elektrisk stød.
- ▶ **Hold netkablet væk fra roterende indsatsværktøjer.** Hvis du mister kontrollen over elværktøjet, kan netkablet blive skåret over eller fanges af værktøjet, så din hånd eller arm kommer ind i det roterende indsatsværktøj.
- ▶ **Læg aldrig elværktøjet fra dig, før indsatsværktøjet er standset helt.** Det roterende indsatsværktøj kan komme i kontakt med overfladen på fralægningsstedet, hvilket kan medføre, at du mister kontrollen over elværktøjet.
- ▶ **Lad ikke elværktøjet køre, mens du bærer det fra et sted til et andet.** Dit tøj kan ved en tilfældig kontakt med det roterende indsatsværktøj blive grebet, hvorved indsatsværktøjet kan bore sig ind i din krop.
- ▶ **Rengør regelmæssigt elværktøjets ventilationsåbninger.** Motorblæseren trækker støv ind i huset, og en stor ophobning af metalstøv kan indebære elektriske risici.
- ▶ **Anvend ikke elværktøjet i nærheden af brændbare materialer.** Gnister kan antænde disse materialer.
- ▶ **Anvend ikke indsatsværktøjer, der kræver flydende kølemidler.** Anvendelse af vand eller andre flydende kølemidler kan medføre elektrisk stød.

Tilbageslag og tilhørende sikkerhedsanvisninger

Tilbageslag er en pludselig reaktion som følge af et fastsiddende eller blokeret roterende indsatsværktøj, f.eks. slibeskive, slibetallerken, trådbørste etc. Fastklemning eller blokering medfører et omgående stop af det roterende værktøj. Derved accelereres et ukontrolleret elværktøj modsat indsatsværktøjets rotationsretning ved blokeringsstedet.

Når eksempelvis en slibeskive sætter sig fast i et emne eller blokeres, kan den kant af slibeskiven, som arbejder sig ned i emnet, blive hængende og derved brække slibeskiven eller forårsage et tilbageslag. Slibeskiven bevæger sig derefter hen imod brugeren eller væk fra denne, alt efter skivens rotationsretning ved blokeringsstedet. Slibeskiven kan også brække i den forbindelse.

Et tilbageslag er resultatet af ukorrekt eller fejlagtig brug af elværktøjet. Det kan forhindres ved at træffe passende forholdsregler som beskrevet i det følgende.

- ▶ **Hold elværktøjet godt fast, og indtag en position med krop og arme, hvor du kan absorbere eventuelle tilbageslag.** Anvend altid det ekstra håndtag, hvis et sådant findes, for at have den størst mulige kontrol over tilbageslag eller reaktionsmomenter ved opstart. Brugeren kan ved at træffe egnede forholdsregler absorbere tilbageslag og reaktionsmomenter.
- ▶ **Anbring aldrig dine hænder i nærheden af roterende indsatsværktøjer.** Indsatsværktøjet kan i tilfælde af et tilbageslag bevæge sig hen over din hånd.
- ▶ **Undgå at anbringe din krop i det område, hvor elværktøjet bevæges ved tilbageslag.** Tilbageslaget bevæger elværktøjet i den modsatte retning af slibeskivens bevægelse ved blokeringsstedet.
- ▶ **Vær særlig forsigtig ved hjørner, skarpe kanter osv. Undgå, at indsatsværktøj slår tilbage fra emnet og sætter sig fast.** Det roterende indsatsværktøj har en tendens til at sætte sig fast ved hjørner, skarpe kanter eller hvis det preller af. Dette medfører, at du mister kontrollen eller oplever tilbageslag.
- ▶ **Anvend ikke savkæde eller fortandet savklinge.** Sådanne indsatsværktøjer forårsager ofte tilbageslag eller er ofte skyld i, at brugeren mister kontrollen over elværktøjet.

Særlige sikkerhedsanvisninger for slibning og skæring:

- ▶ **Anvend altid de slibeskiver, der er godkendt til elværktøjet, og den beskyttelsesafskærmning, der er beregnet til den pågældende slibeskive.** Slibeskiver, som ikke er beregnet til elværktøjet, kan ikke afskærmes tilstrækkeligt og er ikke sikre.
- ▶ **Forkrøpede slibeskiver skal monteres, så deres slibeflade ikke rager ud over kanten af beskyttelsesafskærmningen.** En forkert monteret slibeskive, som rager ud over kanten af beskyttelsesafskærmningen, kan ikke afskærmes på tilstrækkelig vis.
- ▶ **Beskyttelsesafskærmningen skal være monteret på elværktøjet på sikker vis og af hensyn til en optimal sikkerhed være indstillet på en sådan måde, at brugeren har mindst mulig adgang til slibeskiven.** Beskyttelsesafskærmningen er med til at beskytte brugeren mod brudstykker, tilfældig kontakt med slibeskiven samt gnister, som kan antænde brugerens tøj.



- ▶ **Slibeskiver må kun anvendes til de anbefalede formål. For eksempel: Slib aldrig med den flade side på en skæreskive.** Skæreskiver er beregnet til at fjerne materiale med kanten af skiven. Hvis en skive påvirkes på siden, kan det medføre, at den brækker.
- ▶ **Anvend altid intakte spændeflanger i korrekt størrelse og form til den valgte slibeskive.** Egnede flanger støtter slibeskiven og nedsætter dermed risikoen for at brække slibeskiven. Flanger til skæreskiver kan adskille sig fra flanger til andre slibeskiver.
- ▶ **Anvend aldrig slidte slibeskiver fra større elværktøjer.** Slibeskiver til større elværktøjer er ikke dimensioneret til de højere omdrejningstal, der kendetegner mindre elværktøjer, og kan brække som følge deraf.

Yderligere særlige sikkerhedsanvisninger for skæring:

- ▶ **Undgå blokering af skæreskiven eller et for stort tryk på skiven. Foretag ikke for dybe snit.** En overbelastning af skæreskiven forøger spændingen og tendensen til at sætte sig fast eller blokere og øger dermed risikoen for tilbageslag eller et brud på slibeskiven.
- ▶ **Hold dig i sikker afstand af området foran og bag ved den roterende skæreskive.** Hvis du bevæger skæreskiven i emnet væk fra dig, kan elværktøjet med den roterende skæreskive i tilfælde af et tilbageslag blive kastet direkte tilbage på dig.
- ▶ **Hvis skæreskiven sætter sig fast, eller du afbryder arbejdet, skal du slukke elværktøjet og holde det stille, indtil skiven er standset. Forsøg aldrig at trække den roterende skæreskive ud af sporet, da dette kan medføre tilbageslag.** Find og afhjælp årsagen til fastklemningen.
- ▶ **Tænd ikke elværktøjet, så længe det befinder sig i emnet. Lad skæreskiven komme op på maksimalt omdrejningstal, før du fortsætter skæringen forsigtigt.** I modsat fald kan skiven sætte sig fast, springe op fra emnet eller medføre tilbageslag.
- ▶ **Sørg for at understøtte plader eller store emner for at nedsætte risikoen for tilbageslag som følge af en fastklemt skæreskive.** Store emner kan bøje meget som følge af egen vægt. Emnet skal understøttes på begge sider, og det både i nærheden af snittet og ved kanten.
- ▶ **Vær især forsigtig ved "dyksavning" i eksisterende vægge eller andre områder, hvor du ikke kan se, hvad der befinder sig bag overfladen.** Skæreskiven, der sænkes ned i emnet, kan, hvis den skærer gas- og vandrør, elektriske ledninger eller andre genstande over, medføre tilbageslag.

Særlige sikkerhedsanvisninger for slibning med sandpapir:

- ▶ **Anvend ikke overdimensionerede slibblade, men følg producentens anvisninger vedrørende størrelse af slibblade.** Slibblade, som rager ud over slibetallerkenen, kan medføre personskader og forårsage blokering, iturivning af slibbladene eller tilbageslag.

Særlige sikkerhedsanvisninger for arbejde med trådbørster:

- ▶ **Vær opmærksom på, at trådbørsten også under almindelig brug mister trådstykker. Undgå at overbelaste trådene ved at trykke for hårdt ned.** Trådstykker, der slynges væk, kan meget let trænge igennem tyndt tøj og/eller hud.
- ▶ **Hvis en beskyttelsesafskærmning anbefales, skal du sørge for, at beskyttelsesafskærmning og trådbørste ikke kommer i berøring med hinanden.** Tallerken- og kopbørster kan forøge deres diameter, hvis de trykkes ned, eller hvis de udsættes for centrifugalkræfter.

2.1.3 Yderligere sikkerhedsanvisninger

Personlig sikkerhed

- ▶ Anvend kun produktet i teknisk fejlfri stand.
- ▶ Foretag aldrig manipulationer eller ændringer på maskinen.
- ▶ Undgå berøring af roterende dele - fare for personskader!
- ▶ Brug også beskyttelseshandsker, når du skifter værktøj. Berøring af indsatsværktøjet kan medføre snitsår og forbrændinger.
- ▶ Find ud af, hvilken fareklasse det støv, der opstår ved arbejdet, har, inden du går i gang med arbejdet. Anvend en industristøvsuger med en officielt tilladt beskyttelsesklassificering, som opfylder de lokale støvbeskyttelsesbestemmelser. Støv fra materialer såsom blyholdig maling, visse træsorter, beton / murværk / natursten, som indeholder kvarts, og mineraler samt metal kan være sundhedsfarlige.
- ▶ Sørg for en god ventilation af arbejdspladsen, og brug om nødvendigt et åndedrætsværn, som egner sig til den pågældende støvtype. Berøring eller indånding af støv kan medføre allergiske reaktioner og/eller luftvejssygdomme hos brugeren eller personer, der opholder sig i nærheden. Bestemte støvtyper, f.eks. støv fra ege- og bøgetræ, er kræftfremkaldende, især i forbindelse med tilsætningsstoffer til træbehandling (krømat, træbeskyttelsesmidler). Asbestholdige materialer må kun håndteres af fagfolk.
- ▶ Hold pauser under arbejdet, og lav øvelser, så dine fingre får en bedre blodgennemstrømning. Ved længerevarende arbejde kan vibrationer medføre forstyrrelser af fingrenes, hændernes eller håndledenes blodkar og nervesystem.



Elektrisk sikkerhed

- ▶ Kontrollér før påbegyndelse af arbejdet arbejdsområdet for skjulte elektriske ledninger, gas- og vandrør, f.eks. med en metaldetektor. Udvendige metaldele på maskinen kan medføre elektrisk stød, hvis du ved en fejl kommer til at beskadige en elledning.

Omhyggelig omgang med og brug af elværktøj

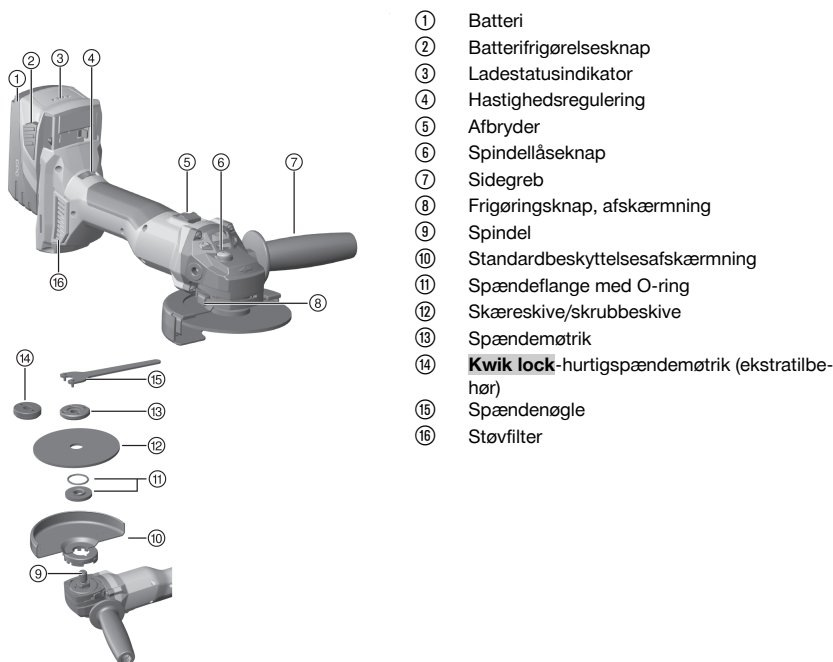
- ▶ Anvend ikke skæreskiver til skrubning.
- ▶ Spænd indsatsværktøjet og flangen. Hvis indsatsværktøjet og flangen ikke spændes godt fast, er der efter slukning mulighed for, at indsatsværktøjet løsner sig fra spindlen ved bremsning via motoren.
- ▶ Overhold producentens anvisninger for håndtering og opbevaring af slibeskiver.

2.1.4 Omhyggelig omgang med og brug af batterier

- ▶ Læs de særlige retningslinjer for transport, opbevaring og brug af lithium-ion-batterier.
- ▶ Hold batterier på sikker afstand af høje temperaturer, direkte solindstråling og ild.
- ▶ Batterierne må ikke adskilles, klemmes, opvarmes til over 80 °C eller brændes.
- ▶ Anvend og oplad ikke batterier, som har fået et slag, er faldet på gulvet fra mere end en meters højde eller på anden vis er blevet beskadiget. Kontakt i så fald altid **Hilti Service**.
- ▶ Hvis batteriet er for varmt til at kunne røres, kan det være defekt. Placer produktet på et ikke-brændbart sted i tilstrækkelig afstand til brændbare materialer, hvor det er muligt at holde øje med det, og lad det køle af. Kontakt i så fald altid **Hilti Service**.

3 Beskrivelse

3.1 Produktoversigt



- ① Batteri
- ② Batterifrigørelsesknop
- ③ Ladestatusindikator
- ④ Hastighedsregulering
- ⑤ Afbryder
- ⑥ Spindellåseknop
- ⑦ Sidegreb
- ⑧ Frigøringsknop, afskærmning
- ⑨ Spindel
- ⑩ Standardbeskyttelsesafsikring
- ⑪ Spændeflange med O-ring
- ⑫ Skæreskive/skrubbeskive
- ⑬ Spændemøtrik
- ⑭ **Kwik lock**-hurtigspændemøtrik (ekstratilbehør)
- ⑮ Spændenøgle
- ⑯ Støvfiler

3.2 Bestemmelsesmæssig anvendelse

Det beskrevne produkt er en håndført batteridrevet vinkelsliber. Den er beregnet til skæring og skrubning af metalliske og mineralske materialer, til børstning, til sandpapirslibning og til boring i fliser, alt sammen uden brug af vand. Den må kun anvendes til tørslibning/-skæring.



2233926

Dansk

23

- Skæring, rilning og skrubslibning af mineralske materialer er kun tilladt ved anvendelse af passende beskyttelsesafskærmning (fås som ekstratilbehør).
 - Ved bearbejdning af mineralske underlag som beton eller sten skal der anvendes en støvudsugnings-skærm sammen med en egnet **Hilti**-støvsuger.
- Anvend kun **Hilti** lithium-ion-batterier i typeserien B 22 til dette produkt.
► Anvend kun **Hilti** ladere i C4/36-serien til disse batterier.

3.3 Leveringsomfang

Vinkelsliber, sidegreb, standardbeskyttelsesafskærmning, frontafdækning, spændeflange, spændemøtrik, spændenøgle, støvfilter, brugsanvisning.

Andre systemprodukter, som er godkendt til dit produkt, finder du i **Hilti Store** eller online på adressen: www.hilti.group.

3.4 ATC

Maskinen er udstyret med elektronisk hurtigfrakobling ATC (Active Torque Control).

Hvis indsatsværktøjet blokerer eller sætter sig fast, roterer maskinen pludselig ukontrolleret i den modsatte retning. ATC registrerer denne pludselige rotationsbevægelse på maskinen og kobler omgående maskinen fra.



Maskinen skal kunne rotere for at fungere korrekt.

Efter udført hurtig frakobling skal du slukket maskinen og tænde den igen.

3.5 Temperaturafhængig maskinbeskyttelse

Det temperaturafhængige motorværn overvåger strømforbrug samt motoropvarmning og beskytter på den måde maskinen mod overophedning.

Ved overbelastning af motoren som følge af for højt tryk nedsættes maskinens ydelse mærkbart, eller måske standser maskinen.

I tilfælde af stilstand eller et fald i omdrejningstallet på grund af en overbelastning skal du aflaste maskinen og lade den køre i ca. 30 sekunder ved tomgangshastighed.

3.6 Beskyttelsesafskærmning med afdækning foran 2

Til skrubning med lige skrubbekiver og til skæring med skæreskiver ved bearbejdning af metalliske materialer skal standardbeskyttelsesafskærmningen med frontafdækning altid anvendes.

3.7 Støvsikring (skæring) DC-EX 125/5" C Kompakt skærm (tilbehør) 3

Til skæring af mineralske underlag med diamantskære-/slibeskiver skal den kompakte skærm DC-EX 125/5" C anvendes.

Det er ikke tilladt at bearbejde metal med denne afskærmning.

3.8 Støvsikring (rilning) DC-EX 125/5" M (tilbehør) 4

Skæring og rilning i mineralske underlag med diamantskæreskiver skal altid udføres med støvsikring.

FORSIGTIG Det er ikke tilladt at bearbejde metal med denne afskærmning.

3.9 Støvsikring (slibning) DG-EX 125/5" (tilbehør) 5

Slibesystemet er kun beregnet til lejlighedsvis slibning af mineralske underlag med diamant-kopskiver.

Det er ikke tilladt at bearbejde metal med denne afskærmning.

3.10 Ladetilstandsvisning på lithium-ion-batteri

Lithium-ion-batteriets ladetilstand vises efter berøring af de to batterifrigøringsknapper.

Tilstand	Betydning
4 lysdioder.	Ladetilstand: 75 % til 100 %
3 lysdioder lyser.	Ladetilstand: 50 % til 75 %
2 lysdioder lyser.	Ladetilstand: 25 % til 50 %



Tilstand	Betydning
1 lysdiode lyser.	Ladetilstand: 10 % til 25 %
1 lysdiode blinker.	Ladetilstand: < 10 %



Under arbejdet og lige efter er det ikke muligt at få vist ladetilstanden. Hvis lysdioderne på batteriets ladetilstandsindikator blinker, henvises til beskrivelsen i kapitlet Fejlafhjælpning.

4 Forbrugsstoffer

Der må kun anvendes kunstharpiksbundne fiberarmerede skiver til maks. Ø 125 mm, som er godkendt til et omdrejningstal på mindst 11.000/min og en omfangshastighed på 80 m/s.

Skivetykkelsen må være maks. 6,4 mm ved skrubning og maks. 3,0 mm ved skæring.

VIGTIGT! Anvend altid standardbeskyttelsesafsikreringen med ekstra frontafdækning eller en helt lukket støvskærm ved skæring og rilning med skæreskiver.

Skiver

Type	Anvendelse	Kort betegnelse	Underlag
Abrasiv skæreskive	Skæring, rilning	AC-D	metallisk
Diamantskæreskive	Skæring, rilning	DC-TP, DC-D (SPX, SP, P)	mineralsk
Abrasiv skrubbeskive	Skrubning	AG-D, AF-D, AN-D	metallisk
Diamantskrubbeskive	Skrubning	DG-CW (SPX, SP, P)	mineralsk
Trådbørste	Trådbørster	3CS, 4CS, 3SS, 4SS	metallisk
Diamantborekrone	Fliseboring	DD-M14	mineralsk
Fiberskive	Skrubning	AP-D	metallisk

Tilknytning af skiverne til det udstyr, der skal anvendes

Pos.	Udstyr	AC-D	AG-D, AF-D, AN-D	DG-CW (SPX, SP, P)	DC-TP, DC-D (SPX, SP, P)	AP-D	3CS, 4CS, 3SS, 4SS, DD-M14
A	Beskyttelsesafsikrering	X	X	X	X	X	X
B	Frontafdækning (i forbindelse med A)	X	—	—	X	—	—
C	Støvsikring (slibning) DG-EX 125/5"	—	—	X	—	—	—
D	Støvsikring (skæring) DC-EX 125/5"C (i forbindelse med A)	—	—	—	X	—	—
E	Støvsikring (rilning) DC-EX 125/5"M	—	—	—	X	—	—
F	Adapter DC-EX SL (i forbindelse med E)	—	—	—	X	—	—
G	Sidegreb	X	X	X	X	X	X
H	Spændemøtrik	X	X	X	X	—	—
I	Spændeflange	X	X	X	X	—	—
J	Kwik lock (ekstratilbehør til H)	X	X	—	X	—	—
K	Spændemøtrik til fiberskive	—	—	—	—	X	—
L	Støtteskive	—	—	—	—	X	—



5 Tekniske data

	AG 4S-A22-125
Nominel spænding	21,6 V
Nominelt omdrejningstal	8.500/min
Maks. skivediameter	125 mm
Vægt i henhold til EPTA-procedure 01	3,1 kg
Gevinddrevspindel	M14
Spindellængde	22 mm
Omgivende temperatur under drift	-17 °C ... 60 °C
Opbevaringstemperatur	-20 °C ... 70 °C

5.1 Tekniske data

Spindellængde	22 mm
Omgivende temperatur under drift	-17 °C ... 60 °C
Opbevaringstemperatur	-20 °C ... 70 °C

5.2 Batteri

Batteridriftsspænding	21,6 V
Omgivende temperatur under drift	-17 °C ... 60 °C
Opbevaringstemperatur	-20 °C ... 40 °C
Batteriets temperatur ved start af ladning	-10 °C ... 45 °C

5.3 Støjinformation og vibrationsværdier iht. EN 60745

Lydtryk- og vibrationsværdier i denne brugsanvisning er målt i henhold til en standardiseret målemetode og kan anvendes til sammenligning af forskellige elværktøjer. De kan også anvendes til en foreløbig vurdering af den eksponering, brugeren udsættes for.

De anførte data repræsenterer elværktøjets primære anvendelsesformål. Hvis elværktøjet imidlertid anvendes til andre formål, med andre indsatsværktøjer eller utilstrækkelig vedligeholdelse, kan dataene afvige. Dette kan forøge den eksponering, som brugeren udsættes for, i hele arbejdstiden markant.

For at opnå en præcis vurdering af den eksponering, som brugeren udsættes for, bør også den tid, hvor maskinen er slukket eller blot kører uden at blive anvendt, inddrages. Dette kan reducere den eksponering, som brugeren udsættes for, i hele arbejdstiden markant.

Fastlæg yderligere sikkerhedsforanstaltninger til beskyttelse af brugeren mod støj- og/eller vibrationspåvirkninger, f.eks. er det vigtigt at vedligeholde elværktøj og indsatsværktøj, at holde hænderne varme og at organisere arbejdsprocesserne.

AG 4S-A22-125

Støjinformation

Lydtrykniveau (L_{pA})	81,5 dB(A)
Usikkerhed, lydtrykniveau (K_{pA})	3 dB(A)
Lydeffektniveau (L_{WA})	92,5 dB(A)
Usikkerhed, lydeffektniveau (K_{WA})	3 dB(A)

Vibrationsoplysninger

Andre anvendelsesformål, f.eks. skæring, kan medføre andre vibrationsværdier.

Overfladeslibning med vibrationsreduceret greb ($a_{h,AG}$)	4,7 m/s ²
Sandpapirslibning med vibrationsdæmpet greb ($a_{h,DS}$)	5,3 m/s ²
Usikkerhed (K)	1,5 m/s ²



6 Ibrugtagning

6.1 Opladning af batteri

1. Læs brugsanvisningen til laderen før opladning.
2. Vær opmærksom på, at kontakterne på batteriet og laderen er rene og tørre.
3. Oplad batteriet i en godkendt lader.

6.2 Isætning af batteri

FORSIGTIG

Fare for personskader på grund af kortslutning eller batteri, der falder på gulvet!

- ▶ Før isætning af batteriet skal du kontrollere, at batteriets kontakter og kontakterne på produktet er fri for fremmedlegemer.
 - ▶ Kontrollér, at batteriet altid går korrekt i indgreb.
-
1. Lad batteriet helt op før første ibrugtagning.
 2. Sæt batteriet i maskinholderen, indtil det går hørbart i indgreb.
 3. Kontrollér, at batteriet er sat korrekt i.

6.3 Fjernelse af batteri

1. Tryk på batteriets frigøringsknapper.
2. Træk batteriet ud af holderen.

6.4 Montering af sidegreb

- ▶ Skru sidegrebet fast på et af de dertil beregnede gevindbøsninger.

6.5 Montering og afmontering af beskyttelsesafskærmning

FORSIGTIG

Fare for personskader Indsatsværktøjet kan være meget varmt eller have skarpe kanter.

- ▶ Brug beskyttelseshandsker i forbindelse med montering, afmontering, indstilling og fejlafhjælpning.
- ▶ Læs monteringsvejledningen for den pågældende beskyttelsesafskærmning.

6.5.1 Montering af standardbeskyttelsesafskærmning



Beskyttelsesafskærmningen er forsynet med en låseanordning, som sikrer, at kun en beskyttelsesafskærmning, som passer til maskinen, kan monteres. Beskyttelsesafskærmningen kan føres ind i styrerillen på maskinens afskærmningsholder.

1. Sæt beskyttelsesafskærmningen på spindelhalsen, så de to trekantmarkeringer på beskyttelsesafskærmningen og maskinen står over for hinanden.
2. Tryk beskyttelsesafskærmningen på spindelhalsen;
3. Tryk på frigøringsknappen til afskærmningen, og drej den, indtil afskærmningen går i indgreb i den ønskede position.
 - ↳ Frigøringsknappen til afskærmningen springer tilbage.

6.5.2 Indstilling af standardbeskyttelsesafskærmning


- ▶ Tryk på frigøringsknappen til afskærmningen, og drej den, indtil afskærmningen går i indgreb i den ønskede position.

6.5.3 Afmontering af standardbeskyttelsesafskærmning

1. Tryk på frigøringsknappen, og drej beskyttelsesafskærmningen, indtil de to trekantmarkeringer på beskyttelsesafskærmningen og maskinen står over for hinanden.
2. Tag beskyttelsesafskærmningen af.



6.6 Montering og afmontering af frontafdækning 7

 Hvis du anvender frontafdækningen, sættes den på beskyttelsesafskærmningen.

1. Sæt frontafdækningen med den lukkede side på standardbeskyttelsesafskærmningen, indtil låsemekanismen går i indgreb.
2. Afmontering sker ved at løsne frontafdækningens låsemekanisme og trække denne af standardbeskyttelsesafskærmningen.

6.7 Montering og afmontering af indsatsværktøj

ADVARSEL


Fare for personskader Ved bremsning af maskinens motor kan indsatsværktøjet løsne sig.

- ▶ Vent, indtil indsatsværktøjet er standset, før du berører indsatsværktøjet eller spændemøtrikken.
- ▶ Spænd indsatsværktøjet og spændeflanger så fast med spændemøtrikken, at ingen dele på spindlen kan løsne sig ved bremsning af maskinens motor.

FORSIGTIG

Fare for personskader Indsatsværktøjet kan være varmt.

- ▶ Brug beskytteshandsker ved skift af indsatsværktøjet.

 Diamantskiver skal udskiftes, så snart skære- eller slibeydelser falder mærkbart. Generelt er dette tilfældet, når diamantsegmenternes højde er lavere end 2 mm.

Andre skivetyper skal udskiftes, når skæreydelser falder mærkbart, eller dele af vinkelsliberen (med undtagelse af skiven) kommer i kontakt med arbejdsmaterialet under arbejdet.

Abrasive skiver skal udskiftes, når deres udløbsdato er nået.

6.7.1 Montering af indsatsværktøj 8

1. Fjern batteriet. → Side 27
2. Kontrollér, om O-ringen er ubeskadiget og på plads i spændeflanger.
Resultat
O-ringen er beskadiget.
Der er ikke nogen O-ring i spændeflanger.
 - ▶ Isæt en ny spændeflange med O-ring.
3. Sæt spændeflanger på spindlen, så den sidder formluttende og er sikret mod at vride sig.
4. Monter indsatsværktøjet.
5. Spænd spændemøtrikken, der passer til det isatte indsatsværktøj.
6. Tryk på spindellåseknappen, og hold den inde.
7. Spænd spændemøtrikken med spændenøglen, slip derefter spindellåseknappen, og fjern spændenøglen.

6.7.2 Afmontering af indsatsværktøj

1. Fjern batteriet. → Side 27

FORSIGTIG

Fare for bud og beskadigelse. Hvis der trykkes på spindellåseknappen, mens spindlen roterer, kan indsatsværktøjet løsne sig.

- ▶ Tryk kun på spindellåseknappen, når spindlen er standset.
2. Tryk på spindellåseknappen, og hold den inde.
 3. Løsn spændemøtrikken ved at sætte spændenøglen på og dreje den mod uret.
 4. Slip spindellåseknappen, og fjern indsatsværktøjet.



6.7.3 Montering af indsatsværktøj med **Kwik lock**-hurtigspændemøtrik **9**

FORSIGTIG

Fare for brud. **Kwik lock**-hurtigspændemøtrikken kan brække, hvis den er meget slidt.

- ▶ Pas på, at **Kwik lock**-hurtigspændemøtrikken ikke får kontakt med underlaget under arbejdet.
- ▶ Anvend ikke beskadigede **Kwik lock**-hurtigspændemøtrikker.



Kwik lock-hurtigspændemøtrikken (ekstratilbehør) kan anvendes i stedet for spændemøtrikken. På den måde kan du skifte indsatsværktøjer uden brug af ekstra værktøj.

1. Fjern batteriet. → Side 27
2. Kontrollér, om O-ringen er ubeskadiget og på plads i spændeflangen.

Resultat

O-ringen er beskadiget.

Der er ikke nogen O-ring i spændeflangen.

- ▶ Isæt en ny spændeflange med O-ring.
3. Rengør spændeflangen og hurtigspændemøtrikken.
 4. Sæt spændeflangen på spindlen.
 5. Monter indsatsværktøjet.
 6. Skru **Kwik lock**-hurtigspændemøtrikken på, indtil den hviler mod indsatsværktøjet.
 - ↳ Teksten **Kwik lock** kan ses i løsnet tilstand.
 7. Tryk på spindellåseknappen, og hold den inde.
 8. Drej indsatsværktøjet kraftigt videre i urets retning med hånden, indtil **Kwik lock**-hurtigspændemøtrikken er spændt godt fast, og slip derefter spindellåseknappen.

6.7.4 Afmontering af indsatsværktøj med **Kwik lock**-hurtigspændemøtrik

1. Fjern batteriet. → Side 27

FORSIGTIG

Fare for bud og beskadigelse. Hvis der trykkes på spindellåseknappen, mens spindlen roterer, kan indsatsværktøjet løsne sig.

- ▶ Tryk kun på spindellåseknappen, når spindlen er standset.
2. Tryk på spindellåseknappen, og hold den inde.
 3. Løsn **Kwik lock**-hurtigspændemøtrikken ved at dreje den mod uret med hånden.
 4. Hvis **Kwik lock**-hurtigspændemøtrikken ikke kan løsnes med hånden, skal du anvende en spændenøgle og dreje den mod uret.



Anvend aldrig en rørtang, så **Kwik lock**-hurtigspændemøtrikken ikke bliver beskadiget.

5. Slip spindellåseknappen, og fjern indsatsværktøjet.

6.7.5 Montering af borekrone **10**

1. Fjern batteriet. → Side 27
2. Monter sidegrebet. → Side 27
3. Monter standardbeskyttelsesafskærmningen.
4. Sæt borekronen på, og skru den fast med hånden.
5. Tryk på spindellåseknappen, og hold den inde.
6. Spænd borekronen med en egnet gaffelnøgle.
7. Slip derefter spindellåseknappen, og fjern gaffelnøglen.

6.7.6 Montering af trådbørste **11**

1. Fjern batteriet. → Side 27
2. Monter sidegrebet. → Side 27
3. Monter standardbeskyttelsesafskærmningen.
4. Sæt trådbørsten på, og skru den fast med hånden.
5. Tryk på spindellåseknappen, og hold den inde.
6. Spænd trådbørsten med en egnet gaffelnøgle.



7. Slip derefter spindellåseknappen, og fjern gaffelnøglen.

6.7.7 Montering af fiberskive

1. Fjern batteriet. → Side 27
2. Monter sidegrebet. → Side 27
3. Monter standardbeskyttelsesafskærmningen.
4. Sæt støtteskiven og fiberskiven på, og skru spændemøtrikken fast.
5. Tryk på spindellåseknappen, og hold den inde.
6. Spænd spændemøtrikken med spændenøglen.
7. Slip derefter spindellåseknappen, og fjern spændenøglen.

7 Betjening

7.1 Tænding

1. Tryk på den bageste del af afbryderen.
2. Skub afbryderen fremad.
 - ↳ Motoren kører.
3. Lås afbryderen.

7.2 Slibning

FORSIGTIG

Fare for personskader Indsatsværktøjet kan pludselig blokere eller sætte sig fast.

- ▶ Anvend maskinen med påmonteret sidegreb, og hold altid maskinen med begge hænder.
-

7.3 Skæring

- ▶ Ved skæring skal du arbejde med moderat fremføring og sørge for, at maskinen eller skæreskiven ikke sætter sig fast (arbejdspositionen er ca. 90° i forhold til skæreplanet).



Profil og små firkantrør skæres bedst ved, at skæreskiven sættes på ved det mindste tværsnit.

7.4 Skrubning

FORSIGTIG

Fare for personskader Skæreskiven kan revne og afrevne dele kan medføre personskader.

- ▶ Anvend aldrig skæreskiver til skrubning.
 - ▶ Bevæg maskinen frem og tilbage i en vinkel på mellem 5° og 30°.
 - ↳ Emnet bliver ikke for varmt eller misfarvet, og der opstår ikke riller.
-

7.5 Frakobling

- ▶ Tryk på den bageste del af afbryderen.
 - ↳ Afbryderen springer til positionen Fra, og motoren stopper.

8 Rengøring og vedligeholdelse

ADVARSEL

Fare for personskader ved isat batteri !

- ▶ Fjern altid batteriet før alle pleje- og vedligeholdelsesarbejder!
-

Pleje af maskinen

- Fjern forsigtigt fastsiddende snavs.
- Fjern støvfiltret, og rengør dette og ventilationsåbningerne forsigtigt med en tør børste.
- Rengør kun kabinettet med en let fugtet klud. Undlad at anvende silikoneholdige plejemidler, da de kan angribe plastdelene.



Pleje af lithium-ion-batterier

- Sørg for at holde batteriet tørt og fri for olie og fedt.
- Rengør kun kabinettet med en let fugtet klud. Undlad at anvende silikoneholdige plejemidler, da de kan angribe plastdelene.
- Undgå indtrængen af fugt.

Vedligeholdelse

- Kontrollér regelmæssigt alle synlige dele for skader, og at betjeningselementerne fungerer fejlfrit.
- Anvend ikke produktet i tilfælde af beskadigelse og/eller funktionsfejl. Få omgående udført reparation hos **Hilti Service**.
- Monter alle beskyttelsesanordninger efter pleje- og vedligeholdelsesarbejder, og kontrollér dem for funktion.



Anvend kun originale reservedele og forbrugsmaterialer af hensyn til en sikker drift. Reservedele, forbrugsmaterialer og tilbehør til dit produkt, som vi har godkendt, finder du i dit **Hilti Store Center** eller under: **www.hilti.group**.

9 Transport og opbevaring af batteridrevne maskiner

Transport

FORSIGTIG

Utsigtet start ved transport !

- ▶ Transportér altid dine produkter uden isat batteri!
- ▶ Tag batteriet ud.
- ▶ Transportér aldrig batterier liggende løst og ubeskyttet.
- ▶ Kontrollér maskine og batterier for skader før ibrugtagning efter længere transport.

Opbevaring

FORSIGTIG

Utsigtet beskadigelse på grund af defekte eller utætte batterier !

- ▶ Opbevar altid dine produkter uden isat batteri!
- ▶ Opbevar maskine og batterier så køligt og tørt som muligt.
- ▶ Opbevar aldrig batterier i direkte sollys, på radiatorer eller i et vindue.
- ▶ Opbevar maskine og batterier utilgængeligt for børn og uvedkommende personer.
- ▶ Kontrollér maskine og batterier for skader før ibrugtagning efter længere tids opbevaring.

10 Fejlafhjælpning

Ved fejl, som ikke fremgår af denne tabel, eller som du ikke selv kan afhjælpe, beder vi dig om at kontakte **Hilti Service**.

10.1 Fejlsøgning

Fejl	Mulig årsag	Løsning
Batteriet aflades hurtigere end normalt.	Meget lav omgivende temperatur.	▶ Lad batteriet varme langsomt op til rumtemperatur.
Batteriet går ikke i indgreb med et tydeligt klik.	Låsetapperne på batteriet er beskidte.	▶ Rengør holdetapperne, og bring batteriet i indgreb igen.
1 lysdiode blinker. Maskinen virker ikke.	Batteriet er afladet.	▶ Udskift batteriet, og oplad det tomme batteri.
	Batteriet er for koldt eller for varmt.	▶ Lad batteriet varme langsomt op eller køle langsomt ned til rumtemperatur.
Alle 4 lysdioder blinker. Maskinen virker ikke.	Maskinen er overbelastet.	▶ Slip afbryderen, og betjen den igen. Lad derefter maskinen køre uden belastning i ca. 30 sekunder.



Fejl	Mulig årsag	Løsning
Kraftig varmeudvikling i vindkælsliber eller batteri.	Elektrisk defekt	▶ Sluk omgående maskinen, tag batteriet ud, hold øje med det, lad det køle af, og kontakt Hilti Service .
Maskinen har ikke fuld ydelse.	Batteri med for lille kapacitet isat.	▶ Anvend et batteri med tilstrækkelig kapacitet.
Motoren har ingen bremsefunktion.	Batteriet er afladet.	▶ Udskift batteriet, og oplad det tomme batteri.
	Maskinen er kortvarigt overbelastet.	▶ Sluk maskinen, og tænd den igen.

11 RoHS (direktiv til begrænsning af anvendelsen af farlige stoffer)

Under følgende link finder du tabellen med farlige stoffer: qr.hilti.com/r9884540.

Et link til RoHS-tabellen finder du i slutningen af denne dokumentation som QR-kode.

12 Bortskaffelse

Størstedelen af de materialer, som anvendes ved fremstillingen af **Hilti**-produkter, kan genvindes. Materialerne skal sorteres, før de kan genvindes. I mange lande modtager **Hilti** dine udtjente instrumenter med henblik på genvinding. Spørg **Hilti** kundeservice eller din forhandler.

Bortskaffelse af batterier

Som følge af ukorrekt bortskaffelse af batterier kan der opstå sundhedsfare på grund af lækkende gasser eller væsker.

- ▶ Beskadigede batterier må under ingen omstændigheder sendes!
- ▶ Tildæk kontakterne med et ikke-ledende materiale, så kortslutninger undgås.
- ▶ Bortskaf batterier på en sådan måde, at børn ikke kan få fat på dem.
- ▶ Bortskaf batteriet hos din **Hilti Store**, eller henvend dig til det ansvarlige renovationsfirma.



- ▶ Elværktøj, elektriske maskiner og batterier må ikke bortskaffes sammen med almindeligt husholdningsaffald!

13 Producentgaranti

- ▶ Hvis du har spørgsmål vedrørende garantibetingelserne, bedes du henvende dig til din lokale **Hilti**-partner.



1 Uppgifter för dokumentation

1.1 Om denna dokumentation

- Läs denna dokumentation innan du börjar ta enheten i drift. Det är en förutsättning för säkert arbete och problemfri hantering.
- Observera de säkerhets- och varningsanvisningar som du hittar i dokumentationen och på själva enheten.
- Förvara alltid bruksanvisningen tillsammans med produkten och överlämna aldrig produkten till någon annan utan att bifoga den.

1.2 Teckenförklaring

1.2.1 Varningar

Varningarna är till för att varna för risker i samband med användning av produkten. Följande riskindikeringar används:



FARA

FARA !

- ▶ Anger överhängande risker som kan leda till svåra personskador eller dödsolycka.



VARNING

VARNING !

- ▶ Anger potentiella risker som kan leda till svåra personskador eller dödsfall.



FÖRSIKTIGHET

FÖRSIKTIGHET !

- ▶ Används för att fästa uppmärksamhet på en potentiell risksituation som kan leda till skador på person eller utrustning.

1.2.2 Symboler i dokumentationen

I den här dokumentationen används följande symboler:

	Läs bruksanvisningen före användning
	Anmärkningar och annan praktisk information
	Hantering av återvinningsbara material
	Elverktyg och batterier får inte kastas i hushållssoporna

1.2.3 Symboler i bilderna

Följande symboler används i bilder:

	Dessa siffror hänvisar till motsvarande bild i början av bruksanvisningen
3	Numreringen återger ordningsföljden hos arbetsmomenten på bilden och kan skilja sig från arbetsmomenten i texten
	På bilden Översikt används positionsnummer som hänvisar till siffrorna i teckenförklaringen i avsnittet Produktöversikt
	Det här tecknet är till för att du ska vara extra uppmärksam på något som gäller hur du hanterar produkten.

1.3 Produktspecifika symboler

1.3.1 Symboler på produkten

Följande övriga symboler används på produkten:



2233926

Svenska

33

	Använd skyddsglasögon
n	Mätvarvtal
/min	Varv per minut
RPM	Varv per minut
∅	Diameter
==	Likström
	Trådlös dataöverföring
Li-Ion	Litiumjonbatteri
	Hilti-litiumjonbatteriserie som används. Observera uppgifterna i kapitlet Avsedd användning.

1.4 Produktinformation

-produkter är avsedda för professionella användare och får endast användas, underhållas och repareras av auktoriserad, utbildad personal. Personalen måste vara särskilt informerad om de risker som finns. Produkten och dess tillbehör kan utgöra en risk om den används på ett felaktigt sätt av utbildad personal eller inte används enligt föreskrifterna.

Typbeteckning och serienummer anges på typskylten.

- ▶ Använd de serienummer som anges i följande tabell. Du behöver produktuppgifterna när du kontaktar vår återförsäljare eller serviceverkstad.

Produktdetaljer

Vinkelslip	AG 4S-A22
Generation	01
Serienr	

1.5 Försäkran om överensstämmelse

Vi försäkras på eget ansvar att den produkt som beskrivs här överensstämmer med gällande direktiv och standarder. En bild på försäkran om överensstämmelse hittar du i slutet av dokumentationen.

Den tekniska dokumentationen finns sparad här:

Hilti Entwicklungsgesellschaft mbH | Zulassung Geräte | Hiltistraße 6 | 86916 Kaufering, Tyskland

2 Säkerhet

2.1 Säkerhetsföreskrifter

2.1.1 Allmänna säkerhetsföreskrifter för elverktyg

⚠ VARNING Läs noga igenom alla säkerhetsföreskrifter, anvisningar, avbildningar och tekniska data som medföljer detta elverktyg. Om nedanstående anvisningar inte följs, finns risk för elektriska stötår, brand och/eller svåra skador.

Förvara alla säkerhetsföreskrifter och anvisningarna på ett säkert ställe för framtida användning.

Begreppet "elverktyg" som används i säkerhetsföreskrifterna avser nätdrivna elverktyg (med nätkabel) och batteridrivna elverktyg (sladdlösa).

Säker arbetsmiljö

- ▶ **Håll arbetsområdet rent och väl belyst.** Oordning eller bristfällig belysning på arbetsplatsen kan leda till olyckor.
- ▶ **Arbeta inte med elverktyget i omgivning med explosionsrisk där det finns brännbara vätskor, gaser eller damm.** Elverktyg alstrar gnistor som kan antända dammet eller gaserna.
- ▶ **Håll barn och obehöriga personer på betryggande avstånd under arbetet med elverktyget.** Om du störs av obehöriga personer kan du förlora kontrollen över verktyget.



Elsäkerhet

- ▶ **Elverktygets elkontakt måste passa till vägguttaget. Elkontakten får absolut inte ändras. Använd inte adapterkontakter tillsammans med skyddsjordade elverktyg.** Originalkontakter och lämpliga vägguttag minskar risken för elstöt.
- ▶ **Undvik kroppskontakt med jordade ytor som rör, värmeelement, spisar och kylskåp.** Det finns en större risk för elstöt om din kropp är jordad.
- ▶ **Skydda elverktyget från regn och väta.** Tränger vatten in i ett elverktyg ökar risken för elstöt.
- ▶ **Använd inte anslutningskabeln på ett felaktigt sätt, t.ex. genom att bära eller hänga upp elverktyget i den eller dra i den för att lossa elkontakten ur vägguttaget. Håll anslutningskabeln på avstånd från värmekällor, olja, vassa kanter och rörliga delar.** Skadade eller tilltrasslade anslutningskablar ökar risken för elstöt.
- ▶ **När du arbetar med ett elverktyg utomhus, använd endast förlängningskablar som är avsedda för utomhusbruk.** Genom att använda en lämplig förlängningskabel för utomhusbruk minskar du risken för elstöt.
- ▶ **Om det är alldeles nödvändigt att använda verktyget i fuktig miljö ska du använda en jordfelsbrytare.** Användning av jordfelsbrytare minskar risken för elstöt.

Personsäkerhet

- ▶ **Var uppmärksam, ha uppsikt över vad du gör och använd elverktyget med förnuft. Använd aldrig elverktyg om du är trött eller påverkad av droger, alkohol eller medicin.** En kort sekund av bristande uppmärksamhet när du arbetar med ett elverktyg kan leda till att du skadar dig själv eller någon annan svårt.
- ▶ **Bär alltid personlig skyddsutrustning och skyddsglasögon.** Genom att använda personlig skyddsutrustning som t.ex. dammskyddsmask, halkfria säkerhetsskor, hjälm eller hörselskydd, beroende på vilket elverktyg du använder och till vad, minskar du risken för kroppsskada.
- ▶ **Undvik oavsiktlig igångsättning. Se till att elverktyget är fränkopplat innan du ansluter det till nätströmmen och/eller batteriet, tar upp det eller bär det.** Om du bär elverktyget med fingret på strömbrytaren eller ansluter ett tillkopplat verktyg till nätströmmen kan en olycka inträffa.
- ▶ **Ta bort alla inställningsverktyg och skruvnycklar innan du kopplar in elverktyget.** Ett verktyg eller en nyckel i en roterande komponent kan leda till skador.
- ▶ **Undvik en onormal kroppshållning. Se till att du står stadigt och håller balansen.** Då kan du lättare kontrollera elverktyget i oväntade situationer.
- ▶ **Bär lämpliga kläder. Bär inte löst hängande kläder eller smycken. Håll håret, kläderna och handskarna på avstånd från rörliga delar.** Löst hängande kläder, smycken och långt hår kan dras in av roterande delar.
- ▶ **När du använder elverktyg med anordningar för uppsugning och uppsamling av damm, bör du kontrollera att dessa anordningar är rätt monterade och används korrekt.** Används en dammsugare kan faror som orsakas av damm minskas.
- ▶ **Invagga dig inte i falsk säkerhet och strunta inte säkerhetsreglerna för elverktyg även om du har stor vana vid att arbeta med elverktyget.** Oförsiktig hantering kan leda till allvarliga skador inom bråkdelar av en sekund.

Användning och hantering av elverktyg

- ▶ **Överbelasta inte verktyget. Använd elverktyg som är avsedda för det aktuella arbetet.** Med ett lämpligt elverktyg kan du arbeta bättre och säkrare inom angivet effektområde.
- ▶ **Använd aldrig elverktyget om strömbrytaren är defekt.** Ett elverktyg som inte kan kopplas in eller ur är farligt och måste repareras.
- ▶ **Dra ut elkontakten ur uttaget och/eller ta i förekommande fall bort det löstagbara batteriet innan du gör inställningar, byter tillbehör eller lägger ifrån dig verktyget.** Denna skyddsåtgärd förhindrar att du eller någon annan råkar sätta igång elverktyget av misstag.
- ▶ **Förvara elverktyg oåtkomligt för barn. Verktyget får inte användas av personer som inte är vana eller inte har läst dessa anvisningar.** Elverktyg är farliga om de används av oerfarna personer.
- ▶ **Underhåll elverktygen och tillbehören noggrant. Kontrollera att rörliga komponenter fungerar felfritt och inte kärvar och att komponenter inte har brustit eller skadats så att elverktygets funktion påverkas negativt. Se till att skadade delar repareras innan verktyget används igen.** Många olyckor orsakas av dåligt skötta elverktyg.
- ▶ **Håll insatsverktygen skarpa och rena.** Omsorgsfullt skötta insatsverktyg med skarpa egg kommer inte så lätt i kläm och går lättare att styra.
- ▶ **Använd elverktyg, tillbehör, insatsverktyg osv. enligt dessa anvisningar. Ta hänsyn till arbetsvillkoren och arbetsmomenten.** Används elverktyget på icke ändamålsenligt sätt kan farliga situationer uppstå.



- ▶ **Se till att handtaget och greppytorna är torra, rena och fria från olja och fett.** Med hala handtag och gripytor går det inte att hantera och kontrollera elverktuget säkert i oväntade situationer.

Användning och hantering av batteriverktyg

- ▶ **Ladda endast batterierna i de laddare som tillverkaren har rekommenderat.** Brandrisk kan uppstå om en laddare som är avsedd för en viss typ av batterier används för andra batterityper.
- ▶ **Använd endast batterier som är avsedda för aktuellt elverktyg.** Används andra batterier finns det risk för kroppsskada och brand.
- ▶ **Håll gem, mynt, nycklar, spikar, skruvar och andra små metallföremål på avstånd från reservbatterier för att undvika kortslutning av kontakterna.** En kortslutning av batteriets kontakter kan leda till brännskador eller brand.
- ▶ **Om batteriet används på fel sätt kan vätska rinna ur batteriet. Undvik kontakt med vätskan. Vid oavsiktlig kontakt, skölj med vatten. Om vätska kommer i kontakt med ögonen, uppsök dessutom läkare.** Batterivätskan kan orsaka hudirritation eller brännskada.
- ▶ **Använd aldrig skadade eller egenhändigt modifierade batterier.** Skadade eller modifierade batterier kan bete sig oförutsägbart och orsaka brand, explosioner eller risk för skador.
- ▶ **Utsätt aldrig batterier för öppen eld eller för höga temperaturer.** Öppen eld eller temperaturer över 130 °C (265 °F) kan orsaka explosion.
- ▶ **Följ alla anvisningar för laddning och ladda aldrig batteriet eller batteriverktyget vid temperaturer som ligger utanför det intervall som anges i bruksanvisningen.** Felaktigt utförd laddning eller laddning vid temperaturer utanför det tillåtna intervallet kan förstöra batteriet och öka risken för brand.

Service

- ▶ **Låt endast kvalificerad fackpersonal reparera elverktuget och använd då endast originalreservdelar.** Detta garanterar att verktygets säkerhet upprätthålls.
- ▶ **Utför aldrig underhåll på skadade batterier.** Underhåll av batterier får endast utföras av tillverkaren eller av auktoriserade kundservicecenter.

2.1.2 Gemensamma säkerhetsföreskrifter för slipning, sandpappersslipning, arbeten med stålborste, polering och kapslipning:

- ▶ **Det här elverktuget kan användas som slipmaskin, sandpappersslip, stålborste och kapslipmaskin. Observera alla säkerhetsföreskrifter, anvisningar, bilder och instruktioner som medföljer verktyget.** Om följande anvisningar inte följs kan det leda till elstötar, brand och/eller svåra skador.
- ▶ **Det här elverktuget passar inte för polering.** Tillämpningar som elverktuget inte är avsett för kan orsaka farliga situationer eller skador.
- ▶ **Använd inte tillbehör som inte tillverkats särskilt för elverktuget och rekommenderats av tillverkaren.** Även om tillbehöret går att fästa på verktyget innebär detta inte nödvändigtvis att det är säkert att använda.
- ▶ **Tillåtet varvtal för insatsverktyget måste vara minst så högt som det högsta varvtal som anges på elverktuget.** Tillbehör som roterar snabbare än tillåtet kan brytas sönder och sprätta iväg.
- ▶ **Insatsverktygets ytterdiameter och tjocklek måste motsvara måttangivelserna för elverktuget.** Insatsverktyg med felaktiga mått kan inte skärmas av ordentligt eller kontrolleras tillräckligt.
- ▶ **Insatsverktyg med gänginsats ska passa spindelns gänga exakt. För insatsverktyg som monteras med hjälp av fläns ska insatsverktygets håldiameter passa till flänsens kopplingsdiameter.** Insatsverktyg som inte fästs ordentligt vid elverktuget roterar ojämnt och vibrerar mycket starkt, vilket kan göra att du förlorar kontrollen över dem.
- ▶ **Använd aldrig skadade insatsverktyg. Kontrollera före varje användning att slipskivorna inte har spruckit eller rivits sönder, att slipondellerna inte har rivits sönder eller slitits onormalt mycket samt att stålborstarna inte har lösa eller avbrutna borst. Om du tappar elverktuget eller insatsverktyget måste du kontrollera att det inte har skadats. Byt till ett nytt insatsverktyg vid behov. När du har kontrollerat och satt i slipsatsen ska verktyget köras en minut med högsta varvtal. Håll dig och andra personer borta från det roterande slipverktyget under tiden. Om insatsverktyget är skadat går det oftast sönder redan under testkörningen.**
- ▶ **Använd personlig skyddsutrustning. Beroende på användningsområde bör du använda ansiktsmask, ögonskydd eller skyddsglasögon. Använd om möjligt dammskyddsmask, hörselskydd och skyddshandskar eller specialförkläde, som filtrerar bort små slip- och materialpartiklar. Skydda ögonen mot kringflygande partiklar som uppstår vid vissa användningsområden. Dammskyddsmasker ska filtrera bort det damm som uppstår vid användningen. Om du utsätts för buller under en längre tid kan din hörsel skadas.**
- ▶ **Se till att andra personer håller sig på behörigt avstånd från arbetsområdet. Alla personer som vistas i arbetsområdet måste använda personlig skyddsutrustning. Delar som splittras från**



arbetsstycket eller insatsverktyg som går av kan flyga iväg och orsaka skador även utanför själva arbetsområdet.

- ▶ **Håll endast elverktyget i det isolerade handtaget när du utför arbeten där insatsverktyget kan stöta på dolda elledningar.** Vid kontakt med en spänningssatt ledning kan metalldelar på verktyget spänningssättas och ge dig en stöt.
- ▶ **Håll undan nätkabeln från roterande insatsverktyg.** Om du förlorar kontrollen över verktyget kan du råka skära av eller skada kabeln och din hand eller arm kan dras in i det roterande verktyget.
- ▶ **Lägg aldrig ifrån dig elverktyget innan slipinsatsen har stannat helt.** Det roterande insatsverktyget kan komma i kontakt med arbetsytan och orsaka att du förlorar kontrollen över elverktyget.
- ▶ **Låt inte elverktyget vara igång medan du bär omkring på det.** Du kan fastna med kläderna i det roterande slipverktyget och slipinsatsen kan tränga in i kroppen.
- ▶ **Rengör ventilationsspringorna på elverktyget regelbundet.** Motorfläkten drar in damm i höljet och om mycket metalldamm samlas kan det utgöra en elektrisk fara.
- ▶ **Använd aldrig elverktyget i närheten av brännbara material.** Gnistor kan antända materialet.
- ▶ **Använd inte insatsverktyg som kräver flytande kylmedel.** Användning av vatten eller andra flytande kylvätskor kan leda till elstöt.

Kast och motsvarande säkerhetsföreskrifter

Ett kast (kallas även bakslag eller kickback) är den plötsliga reaktionen till följd av att ett roterande insatsverktyg, t.ex. en slipskiva, slipprondell eller stålborste, fastnar eller blockeras. Fastkörning eller blockering leder till ett tvärt stopp av den roterande rörelsen. Därigenom tvingas elverktyget okontrollerat i motsatt riktning mot insatsverktygets rotationsriktning vid blockeringspunkten.

Om t.ex. en slipskiva hakar fast i arbetsstycket kan kanten på slipskivan skära in i arbetsstycket och gå sönder eller orsaka ett kast. Slipskivan rör sig då mot eller bort från användaren beroende på skivans rotationsriktning. Det kan även hända att slipskivan går av.

Ett kast är resultatet av felaktig eller bristande användning av elverktyget. Det kan förhindras med hjälp av lämpliga försiktighetsåtgärder som beskrivs nedan.

- ▶ **Håll i elverktyget ordentligt och placera kroppen och armarna i en position där du kan fånga upp kastkrafterna.** Använd alltid extrahandtaget om sådant finns för att få största möjliga kontroll över kastkrafterna eller reaktionsmomenten vid start. Användaren kan klara av kast- och reaktionskrafterna genom att vidta lämpliga försiktighetsåtgärder.
- ▶ **Håll aldrig handen i närheten av roterande insatsverktyg.** Insatsverktyget kan träffa handen vid ett kast.
- ▶ **Undvik att stå i det område som elverktyget träffar vid ett eventuellt kast.** Kastet trycker elverktyget i motsatt riktning mot slipskivans rörelse vid blockeringspunkten.
- ▶ **Var särskilt försiktig när du arbetar i hörn, vid vassa kanter eller liknande. Förhindra att insatsverktyg rekylar från verktyget eller fastnar.** Det roterande slipverktyget tenderar att fastna i hörn, vid vassa kanter eller vid rekyl. Du kan förlora kontrollen över verktyget eller ett bakslag kan uppstå.
- ▶ **Använd inte sågblad med kedjor eller tänder.** Sådana slipinsatser orsakar ofta kast eller att du förlorar kontrollen över elverktyget.

Särskilda säkerhetsföreskrifter för slipning och kapslipning:

- ▶ **Använd endast slipinsatser som är avsedda för elverktyget och den skyddskåpa som är avsedd för aktuell slipinsats.** Slipinsatser som inte är avsedda för elverktyget kan inte skärmaskas av tillräckligt och har sämre säkerhet.
- ▶ **Slipskivor med försänkt centrum ska monteras på ett sådant sätt att deras slipyta inte sticker ut utanför skyddskåpans kant.** En felaktigt monterad slipskiva som sticker ut utanför skyddskåpans kant kan inte avskämmas tillräckligt.
- ▶ **Skyddskåpan måste fästas ordentligt på elverktyg och för högsta möjliga säkerhet ställas in så att minsta möjliga del av slipinsatsen blottas för den som använder verktyget.** Skyddskåpan hjälper till att skydda användaren mot splitter, oavsiktlig kontakt med slipinsatsen samt gnistor som kan antända kläderna.
- ▶ **Slipinsatserna får endast användas för rekommenderade tillämpningar. Till exempel: Slipa aldrig med sidoytan på en kapskiva.** Kapskivor ska användas för att skala av material med kanten av skivan. Om kraft anbringas från sidan på slipinsatsen kan den gå sönder.
- ▶ **Använd alltid oskadade spännflänsar med rätt storlek och form för den slipskiva du valt.** Har du rätt flänsar stöttar de slipskivan och minskar risken för att den går sönder. Flänsar för kapskivor kan se annorlunda ut än flänsar för andra typer av slipskivor.
- ▶ **Använd inte slitna slipskivor från större verktyg.** Slipskivor för större elverktyg är inte avsedda för de högre varvtalen hos mindre verktyg och kan gå sönder.



Ytterligare särskilda varningar för kapslipning:

- ▶ **Undvik att kapskivan blockeras eller ett för högt anpressningstryck. Gör inte alltför djupa snitt.** Om kapskivan överbelastas ökar påfrestningen och risken för kantring eller blockering och därmed risken för bakslag eller att slipinsatsen går av.
- ▶ **Håll dig undan från området framför och bakom den roterande kapskivan.** Om du för kapskivan bort från dig på arbetsstycket och ett kast inträffar kan elverket med den roterande skivan kastas direkt mot dig.
- ▶ **Om kapskivan fastnar eller om du avbryter arbetet ska du koppla från verktyget och hålla det stilla tills skivan stannat helt. Försök aldrig att dra loss skivan ur snittet medan den fortfarande roterar – ett kast kan uppstå.** Ta reda på och åtgärda orsaken till att skivan fastnat.
- ▶ **Slå inte på elverket igen medan det sitter fast i arbetsstycket. Vänta tills kapskivan nått fullt varvtal igen innan du försiktigt fortsätter med snittet.** Annars kan skivan haka fast, hoppa ur arbetsstycket eller orsaka kast.
- ▶ **Stötta upp plattor eller stora arbetsstycken för att minska risken för kast genom att kapskivan fastnar.** Stora arbetsstycken kan böjas av sin egen vikt. Arbetsstycket måste stöttas på båda sidor om skivan, både i närheten av kapsnittet och vid kanten.
- ▶ **Var extra försiktig vid "fickskärning" i befintliga väggar eller andra områden som du inte har full uppsikt över.** När kapskivan tränger igenom väggen kan den träffa en gas-, vatten- eller elledning eller något annat objekt och orsaka kast.

Särskilda säkerhetsföreskrifter för sandpappersslipning:

- ▶ **Använd inte för stora slipblad utan följ tillverkarens anvisningar om slipbladsstorlek.** Slipblad som sticker ut över sliprondellens kant kan skada dig eller leda till att verktyget blockeras, att slipbladen går sönder eller till kast.

Särskilda säkerhetsföreskrifter för arbeten med stålborste:

- ▶ **Tänk på att stålborstar tappar borst även vid normal användning. Överbelasta inte borsten genom ett för högt anpressningstryck.** Borst som flyger iväg kan mycket lätt tränga igenom tunna kläder och/eller huden.
- ▶ **Om skyddskåpa rekommenderas måste du se till att skyddskåpan och stålborsten inte vidrör varandra.** Diametern på tallriks- och skålborstar kan öka på grund av anpressningstrycket och centrifugalkraften.

2.1.3 Extra säkerhetsföreskrifter**Personsäkerhet**

- ▶ Använd verktyget bara om det är fullt funktionsdugligt.
- ▶ Manipulera eller ändra aldrig något på verktyget.
- ▶ Rör inte vid roterande delar – risk för personskada!
- ▶ Använd skyddshandskar även vid byte av insatsverktyg. Det finns risk för skär- och brännskador vid beröring av nyss använda insatsverktyg.
- ▶ Ta bort de dammpartiklar som har uppstått innan arbetet i riskklassen startas. Använd en byggdamm-sugare med en standardskyddsklassificering som motsvarar de lokala dammskyddsbestämmelserna. Damm från material med blyhaltig färg, vissa träslag, betong, tegel, sten som innehåller kvarts, mineraler och metall kan vara hälsovådliga.
- ▶ Se till att arbetsplatsen har god ventilation, och använd vid behov en andningsmask som är avsedd för damm av det aktuella slaget. Beröring eller inandning av damm kan orsaka allergiska reaktioner och/eller sjukdomar i andningsvägarna hos användaren eller hos personer som befinner sig i närheten. Vissa slags damm, till exempel från ek eller bok, anses vara cancerframkallande, särskilt i kombination med tillsatssämnen för behandling av trä (kromat, träskyddsmedel). Asbesthaltigt material får bara hanteras av särskilt utbildad personal.
- ▶ Gör pauser i arbetet och utför fingerövningar som ökar blodgenomströmningen i fingrarna. Vid långvarigt, ihållande arbete kan vibrationerna ge besvär i blodkärl och nerver i fingrarna, händerna och handlederna.

Elektrisk säkerhet

- ▶ Undersök om det finns dolda el-, gas- och vattenledningar inom arbetsområdet innan du påbörjar arbetet. Utanpåliggande metalldelar på verktyget kan orsaka elstötar om du oavsiktligt råkar skada en elledning.

Ömsorgsfull hantering och användning av elverktyg

- ▶ Använd inte kapskivor för grovbearbetning.
- ▶ Dra fast insatsverktyget och flänsen så att de sitter stadigt. Om insatsverktyget och flänsen inte skruvas fast ordentligt kan verktyget lossna från spindeln vid frånkopplingen, när rörelsen bromsas av verktygsmotorn.
- ▶ Observera tillverkarens anvisningar om hantering och förvaring av slipskivor.

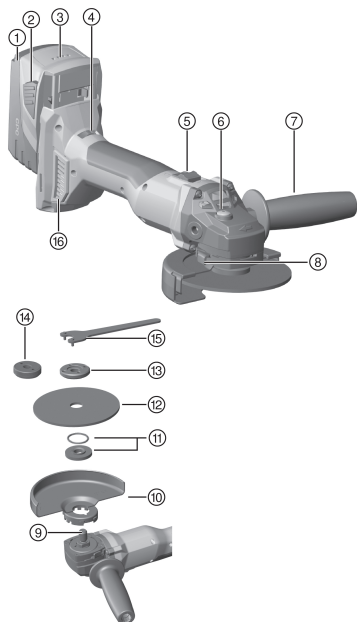


2.1.4 Ömsorgsfull hantering och användning av batterier

- ▶ Observera de särskilda föreskrifterna för transport, förvaring användning av litiumjonbatterier.
- ▶ Utsätt inte batterierna för höga temperaturer, direkt solljus eller eld.
- ▶ Batterier får inte tas isär, klämmas, hettas upp över 80° eller brännas.
- ▶ Använd eller ladda inte batterier som tagit emot slag, har fallit från över en meters höjd eller är skadade på något annat sätt. I sådana fall, kontakta **Hilti Service**.
- ▶ Om batteriet är så hett att du inte kan ta i det kan det vara defekt. Ställ produkten på en plats där inget riskerar att fatta eld och på betryggande avstånd från brännbart material, där du kan hålla den under uppsikt medan batteriet svalnar. I sådana fall, kontakta **Hilti Service**.

3 Beskrivning

3.1 Produktöversikt



- ① Batteri
- ② Batteriets låsknapp
- ③ Laddningsindikering
- ④ Hastighetsreglage
- ⑤ På/av-knapp
- ⑥ Spindellåsknapp
- ⑦ Sidohandtag
- ⑧ Spärr för skyddsskåpa
- ⑨ Spindel
- ⑩ Standardskyddsskåpa
- ⑪ Spännfläns med O-ring
- ⑫ Kapslipskiva/skrubbslipskiva
- ⑬ Spännmutter
- ⑭ **Kwik lock**-snabbspännmutter (tillval)
- ⑮ Spännnyckel
- ⑯ Dammfiler

3.2 Avsedd användning

Den produkt som beskrivs här är en handhållen batteridrivna vinkelslip. Den är avsedd för kap- och skrubbslipning av metalliska och mineraliska material, för borstning, sandpappersslipning och kakelborring, utan användning av vatten. Produkten ska endast användas för torrslipning/-skärning.

- Kapslipning, skärning och skrubbslipning av mineraliska material får endast utföras vid användning med skyddsskåpa (tillval).
- Vid bearbetning av mineraliska grundmaterial, till exempel betong eller sten, ska en dammsugarkåpa anpassad till en lämplig **Hilti**-dammsugare användas.
- ▶ Använd endast **Hilti**s litiumjonbatterier av typen Li-Ion B 22 med produkten.
- ▶ Använd endast **Hilti** batteriladdare i C4/36-serien för dessa batterier.

3.3 Leveransinnehåll

Vinkelslip, sidohandtag, standardskyddsskåpa, framkåpa, spännfläns, fästmutter, spännnyckel, dammfiler, bruksanvisning.



2233926


Svenska

39

Dessutom finns fler systemprodukter för din produkt både i närmaste **Hilti Store** och på nätet: www.hilti.group.

3.4 ATC

Verktyget är försett med elektronisk snabbavstängning ATC (Active Torque Control). Om insatsverktyget blockeras eller kläms fast, vrider sig verktyget plötsligt okontrollerat i motsatt riktning. ATC-funktionen känner av den plötsliga vridrörelsen och stänger genast av verktyget.

-  För att fungera normalt måste verktyget kunna vrida sig obehindrat. Efter snabbavstängning, stäng av verktyget och slå sedan på det igen.

3.5 Termiskt verktygsskydd

Motorskyddet övervakar strömförbrukning och motortemperatur, vilket förhindrar att verktyget överhettas. Om motorn överbelastas genom för högt anpressningstryck minskar verktygets effekt påtagligt och det kan hända att verktyget stannar. Om verktyget överbelastas så att det stannar eller tappar varvtalet bör du minska trycket och låta verktyget gå utan belastning i cirka 30 sekunder.

3.6 Skyddskåpa med framkåpa

Vid skrubbslipning med raka skrubbslipskivor och vid kapslipning med kapslipskivor i metallmaterial bör standardskyddskåpan med framkåpa användas.

3.7 Dammsugarkåpa (kapning) DC-EX 125/5" C kompaktkåpa (tillbehör)

Använd kompaktkåpan DC-EX 125/5" C vid kapslipning av mineraliska grundmaterial med diamantkapslipskiva.

Bearbetning av metall får inte utföras med den här kåpan.

3.8 Dammsugarkåpa (skärning) DC-EX 125/5" M (tillbehör)

Kapslipnings- och skärarbeten på mineraliska underlag med diamantkapslipskivor får endast utföras med dammsugarkåpa.

OBS! Bearbetning av metall får inte utföras med den här kåpan.

3.9 Dammsugarkåpa (slipning) DG-EX 125/5" (tillbehör)


Slipssystemet får endast tillfälligt användas för slipning i metallmaterial med diamantslipskålar.

Bearbetning av metall får inte utföras med den här kåpan.

3.10 Laddningsindikering för litiumjonbatterier

Tryck på en av litiumjonbatteriets utlösningknappar för att se batterinivån.

Status	Betydelse
4 lysdioder lyser.	Laddningsstatus: 75 % till 100 %
3 lysdioder lyser.	Laddningsstatus: 50 % till 75 %
2 lysdioder lyser.	Laddningsstatus: 25 % till 50 %
1 lysdiod lyser.	Laddningsstatus: 10 % till 25 %
1 lysdiod blinkar.	Laddningsstatus: < 10 %

-  Under pågående arbete och strax efteråt går det inte att läsa av laddningsstatus. Läs anvisningarna i kapitlet Felsökning om batteriets lysdioder för laddningsindikering börjar blinka.

4 Förbrukningsartiklar

Använd endast konsthartsbundna fiberarmerade skivor för max. Ø 125 mm. Skivorna måste vara godkända för ett varvtal på minst 11000 varv/min och en periferihastighet på 80 m/s.

Max. tjocklek för skrubbslipskivor är 6,4 mm och för kapslipskivor 3,0 mm.



OBS! Använd alltid standardskyddskåpan med extra framkåpa eller en helt sluten dammsugarkåpa vid kapning och skärning med kapslipskiva.

Skivor

Typ	Användningsområden	Förkortning	Underlag
Abrasiv kapslipskiva	Kapslipning, skärning	AC-D	metalliskt
Diamantkapslipskiva	Kapslipning, skärning	DC-TP, DC-D (SPX, SP, P)	mineraliskt
Abrasiv skrubbslipskiva	Skrubbslipning	AG-D, AF-D, AN-D	metalliskt
Diamantskrubbslipskiva	Skrubbslipning	DG-CW (SPX, SP, P)	mineraliskt
Stålbörste	Stålbörstar	3CS, 4CS, 3SS, 4SS	metalliskt
Diamantbörskrona	Kakelborring	DD-M14	mineraliskt
Fiberskiva	Skrubbslipning	AP-D	metalliskt

Tillordning av skivor till använd utrustning

Artikel	Urustning	AC-D	AG-D, AF-D, AN-D	DG-CW (SPX, SP, P)	DC-TP, DC-D (SPX, SP, P)	AP-D	3CS, 4CS, 3SS, 4SS, DD-M14
A	Skyddskåpa	X	X	X	X	X	X
B	Framkåpa (tillsammans med A)	X	—	—	X	—	—
C	Dammsugarkåpa (slipning) DG-EX 125/5"	—	—	X	—	—	—
D	Dammsugarkåpa (kapning) DC-EX 125/5"C (i kombination med A)	—	—	—	X	—	—
E	Dammsugarkåpa (skärning) DC-EX 125/5"M	—	—	—	X	—	—
F	Adapter DC-EX SL (i kombination med E)	—	—	—	X	—	—
G	Sidohandtag	X	X	X	X	X	X
H	Spännmutter	X	X	X	X	—	—
I	Spännfläns	X	X	X	X	—	—
J	Kwik lock (tillval till H)	X	X	—	X	—	—
K	Fästmutter för fiberskiva	—	—	—	—	X	—
L	Stödskiva	—	—	—	—	X	—

5 Teknisk information

	AG 4S-A22-125
Märkspänning	21,6 V
Mätvarvtal	8 500 varv/min
Maximal skivdiameter	125 mm
Vikt enligt EPTA Procedure 01	3,1 kg
Gänga drivspindel	M14



2233926

Svenska

41

	AG 4S-A22-125
Spindellängd	22 mm
Omgivningstemperatur vid drift	-17 °C ... 60 °C
Förvaringstemperatur	-20 °C ... 70 °C

5.1 Teknisk information

Spindellängd	22 mm
Omgivningstemperatur vid drift	-17 °C ... 60 °C
Förvaringstemperatur	-20 °C ... 70 °C

5.2 Batteri

Batteriets driftspänning	21,6 V
Omgivningstemperatur vid drift	-17 °C ... 60 °C
Förvaringstemperatur	-20 °C ... 40 °C
Batteritemperatur när laddningen påbörjas	-10 °C ... 45 °C

5.3 Bullerinformation och vibrationsvärden enligt EN 60745

De ljudtrycks- och vibrationsvärden som anges i anvisningarna har uppmätts med en standardiserad mätmetod och kan användas för att jämföra olika elverktyg med varandra. De kan också användas för att göra en preliminär uppskattning av exponeringarna.

De angivna värdena representerar borrhammarens huvudsakliga användning. När elverktyget begagnas inom andra områden, med andra insatsverktyg eller med otillräckligt underhåll, kan mätning ge avvikande värden. Det innebär att exponeringen under den totala arbetstiden kan ökas betydligt.

För att uppskattningen av exponeringarna ska bli exakt bör man också räkna in de tider då verktyget är fränkopplat, eller då det är igång men inte används. Det kan betydligt minska exponeringen under den totala arbetstiden.

Vidta även andra säkerhetsåtgärder för att skydda användaren mot effekterna av buller och vibrationer, exempelvis: underhåll av elverktyg och insatsverktyg, möjlighet att hålla händerna varma, välorganiserade arbetsförlöpp.

AG 4S-A22-125

Bullerinformation

Ljudtrycksnivå (L_{pA})	81,5 dB(A)
Osäkerhet ljudtrycksnivå (K_{pA})	3 dB(A)
Ljudeffektnivå (L_{WA})	92,5 dB(A)
Osäkerhet ljudeffektnivå (K_{WA})	3 dB(A)

Vibrationsinformation

Andra tillämpningar, t.ex. kapning, kan ge upphov till andra vibrationsvärden.

Slipning av ytor med vibrationsdämpande handtag ($a_{h,AG}$)	4,7 m/s ²
Sandpappersslipning med vibrationsdämpande handtag ($a_{h,DS}$)	5,3 m/s ²
Osäkerhet (K)	1,5 m/s ²

6 Före start

6.1 Laddning av batteri

1. Läs batteriladdarens bruksanvisning innan du laddar batteriet.
2. Se till att batteriets och batteriladdarens sladdar är rena och torra.
3. Ladda batteriet i en godkänd batteriladdare.



6.2 Sätta i batteriet

FÖRSIKTIGHET

Risk för personskada på grund av kortslutning eller nedfallande batteri!

- ▶ Kontrollera innan du sätter in batteriet i produkten att både batteriets och produktens kontakter är fria från smuts och andra hinder.
- ▶ Säkerställ att batteriet alltid hakar i ordentligt.

1. Ladda batteriet helt innan det används första gången.
2. Sätt i batteriet i verktygshållaren så att du hör att det klickar fast.
3. Kontrollera att batteriet sitter stadigt.

6.3 Ta ut batteriet

1. Tryck på knappen för batteriets låsspärr.
2. Ta ut batteriet ur verktygshållaren.

6.4 Montera sidohandtaget

- ▶ Skruva fast sidohandtaget i en av de avsedda gängbussningarna.

6.5 Montering och demontering av skyddskåpa

FÖRSIKTIGHET

Risk för personskada. Insatsverktyget kan vara hett och ha skarpa kanter.

- ▶ Använd alltid skyddshandskar vid montering, justeringsarbeten och störningsåtgärder.

- ▶ Läs monteringsanvisningarna för aktuell skyddskåpa.

6.5.1 Montera Standard skyddskåpa



Skyddskåpan har styrklackar som garanterar att endast en skyddskåpa som passar på verktyget kan monteras. Styrklackarna på skyddskåpan passas in i verktygets fästen för kåpan.

1. Placera skyddskåpan på spindelkragen så att de båda trianglarna på skyddskåpan och verktyget står mitt för varandra.
2. Tryck fast skyddskåpan på spindelhalsen.
3. Tryck på kåpans upplåsningsknapp och vrid skyddskåpan till önskat läge tills den hakar fast.
 - ↳ Kåpans upplåsningsknapp fjädrar tillbaka.

6.5.2 Justera standard skyddskåpa

- ▶ Tryck på kåpans upplåsningsknapp och vrid skyddskåpan till önskat läge tills den hakar fast.

6.5.3 Demontera Standard skyddskåpa

1. Tryck på spärren på kåpan och vrid skyddskåpan tills de båda trianglarna på skyddskåpan och verktyget står mitt för varandra.
2. Ta av skyddskåpan.

6.6 Montering och demontering av framkåpa



Vid arbete med framkåpan ska den sitta på skyddskåpan.

1. Sätt framkåpan med den stängda sidan mot standard skyddskåpan tills den låser fast.
2. Öppna låset på framkåpan och lyft av den från standard skyddskåpan vid demontering.



6.7 Montering och demontering av insatsverktyg

VARNING


Risk för personskada. Insatsverktyget kan lossna vid inbromsning av verktygsmotorn.

- ▶ Vänta tills insatsverktyget har stannat innan du rör vid verktyget eller spännmuttern.
- ▶ Dra åt insatsverktyget och spännflänsen med spännmuttern så att inga delar kan lossna från spindeln vid inbromsning av verktygsmotorn.

FÖRSIKTIGHET

Risk för personskada. Insatsverktyget kan vara mycket varmt.

- ▶ Använd alltid skyddshandskar när du byter insatsverktyg.

 Diamantskivor ska bytas så snart du märker att skär- eller slipeffekten sjunker. I allmänhet inträffar det när diamantsegmentens höjd är mindre än 2 mm.

Andra typer av skivor ska bytas så snart skäreffekten tydligt sjunker eller delar av vinkelslipen (andra än skivan) kommer i kontakt med arbetsmaterialet under arbete.

Slipskivor ska bytas när utgångsdatum löper ut.

6.7.1 Montera insatsverktyg

1. Avlägsna batteriet. → Sidan 43
2. Kontrollera att spännflänsens O-ring sitter på plats och inte är skadad.

Resultat

O-ringen är skadad.

Det sitter ingen O-ring i spännflänsen.

- ▶ Sätt i en ny spännfläns med O-ring.

3. Sätt fast spännflänsen på spindeln och passa in den noga så att den inte kan vridas.
4. Sätt på insatsverktyget.
5. Skruva fast spännmuttern som motsvarar det insatta verktyget.
6. Tryck på spindellåsknappen och håll den intryckt.
7. Dra åt spännmuttern med spännnyckeln, lossa sedan spindellåsknappen och ta bort spännnyckeln.

6.7.2 Demontera insatsverktyg

1. Avlägsna batteriet. → Sidan 43

FÖRSIKTIGHET

Risk för skador på verktyget. Om spindellåsknappen trycks ner medan spindeln roterar kan insatsverktyget lossna.

- ▶ Tryck endast ner spindellåsknappen när spindeln står still.
2. Tryck på spindellåsknappen och håll den intryckt.
 3. Lossa spännmuttern genom att vrida den moturs med spännnyckeln.
 4. Släpp spindellåsknappen och ta bort insatsverktyget.

6.7.3 Montera insatsverktyget med **Kwik lock**-spännmuttern

FÖRSIKTIGHET

Risk för verktygsskador. Vid stark förslitning kan **Kwik lock**-spännmuttern gå sönder.

- ▶ Se till att **Kwik lock**-spännmuttern inte har kontakt med underlaget under arbetet.
- ▶ Använd inte **Kwik lock**-snabbspännmuttrar som är skadade.

 I stället för den vanliga spännmuttern kan **Kwik lock**-snabbspännmuttern (tillval) användas. Inga andra verktyg behövs då för att byta insatsverktyg.

1. Avlägsna batteriet. → Sidan 43



- Kontrollera att spännflänsens O-ring sitter på plats och inte är skadad.

Resultat

O-ringen är skadad.

Det sitter ingen O-ring i spännflänsen.

- Sätt i en ny spännfläns med O-ring.

- Rengör spännflänsen och spännmuttern.

- Sätt fast spännflänsen på spindeln.

- Sätt på insatsverktyget.

- Skruva fast **Kwik lock**-snabbspännmuttern på insatsverktyget.

- Texten **Kwik lock** syns när muttern är fastskruvad.

- Tryck på spindellåsknappen och håll den intryckt.

- Vrid insatsverktyget hårt medurs för hand tills snabbspännmuttern **Kwik lock** är ordentligt åtdragen och lossa sedan på spindellåsknappen.

6.7.4 Demontera insatsverktyget med **Kwik lock**-spännmuttern

- Avlägsna batteriet. → Sidan 43

FÖRSIKTIGHET

Risk för skador på verktyget. Om spindellåsknappen trycks ner medan spindeln roterar kan insatsverktyget lossna.

- Tryck endast ner spindellåsknappen när spindeln står still.

- Tryck på spindellåsknappen och håll den intryckt.

- Lossa snabbspännmuttern **Kwik lock** genom att vrida den moturs för hand.

- Om det inte går att lossa snabbspännmuttern **Kwik lock** för hand sätter du på en spännyckel på snabbspännmuttern och vrider den moturs.



Använd aldrig rörtång, då det kan skada **Kwik lock**-spännmuttern.

- Släpp spindellåsknappen och ta bort insatsverktyget.

6.7.5 Montera borrhkronan **10**

- Avlägsna batteriet. → Sidan 43

- Montera sidohandtaget. → Sidan 43

- Montera standardskyddskåpan.

- Sätt på borrhkronan och skruva fast den för hand.

- Tryck på spindellåsknappen och håll den intryckt.

- Dra fast borrhkronan med en lämplig U-nyckel.

- Lossa sedan spindellåsknappen och avlägsna U-nyckeln.

6.7.6 Montera stålborste **11**

- Avlägsna batteriet. → Sidan 43

- Montera sidohandtaget. → Sidan 43

- Montera standardskyddskåpan.

- Sätt på stålborsten och skruva fast den för hand.

- Tryck på spindellåsknappen och håll den intryckt.

- Dra fast stålborsten med en lämplig U-nyckel.

- Lossa sedan spindellåsknappen och avlägsna U-nyckeln.

6.7.7 Montera fiberskiva **12**

- Avlägsna batteriet. → Sidan 43

- Montera sidohandtaget. → Sidan 43

- Montera standardskyddskåpan.

- Sätt fast stödskivan och fiberskivan. Skruva fast spännmuttern.

- Tryck på spindellåsknappen och håll den intryckt.

- Dra åt fästmuttern med spännyckeln.

- Lossa sedan spindellåsknappen och ta bort spännyckeln.



7 Användning

7.1 Tillkoppling

1. Tryck på den bakre delen av på/av-knappen.
2. Skjut på/av-knappen framåt.
 - ↳ Motorn går.
3. Lås fast på/av-knappen.

7.2 Slipning

FÖRSIKTIGHET

Risk för personskada. Insatsverktyget kan plötsligt fastna eller bli blockerat.

- ▶ Använd alltid verktygets sidohandtag och håll i verktyget med båda händerna.

7.3 Kapslipning

- ▶ Arbeta med måttlig matning vid kapslipning och vinkla inte verktyget eller kapslipskivan (arbetsposition ca 90° mot skärplanet).



Profiler och små fyrkantöror kapas lättast om kapslipskivan används tvärs över den minsta arean.

7.4 Skrubbslipning

FÖRSIKTIGHET

Risk för personskada. Kapslipskivan kan spricka och ivägskjutande delar kan skada personer i närheten.

- ▶ Använd aldrig kapslipskivor för skrubbslipning.
- ▶ Rör verktyget fram och tillbaka med måttligt tryck och en anliggningsvinkel på 5° till 30°.
 - ↳ Då blir arbetsstycket varken för varmt eller missfärgat och det blir inga räfflor.

7.5 Frånkoppling

- ▶ Tryck på den bakre delen av på/av-knappen.
 - ↳ På/av-knappen fjädrar ut till Av-position och motorn stannar.

8 Skötsel och underhåll

VARNING

Risk för personskada vid anslutet batteri !

- ▶ Ta alltid bort batteriet innan skötsel och underhåll utförs!

Verktygets skötsel

- Ta försiktigt bort smuts som fastnat på verktyget.
- Ta bort dammfiltret och rengör både det och ventilationspringorna försiktigt med en torr borste.
- Rengör höljet med en lätt fuktad trasa. Använd inte rengöringsmedel med silikon, eftersom det kan skada plastdelarna.

Skötsel av litiumjonbatterier

- Håll batteriet rent och fritt från olja och fett.
- Rengör höljet med en lätt fuktad trasa. Använd inte rengöringsmedel med silikon, eftersom det kan skada plastdelarna.
- Se till att ingen fukt tränger in.

Underhåll

- Kontrollera regelbundet att inga synliga delar har skadats och att alla reglage fungerar som de ska.
- Använd inte produkten om den uppvisar skador eller funktionsstörningar. Skicka den direkt till **Hilti Service** för reparation.
- Efter att skötsel- och underhållsarbete utförts ska alla skyddsanordningar alltid monteras och kontrolleras.



i Använd endast originalreservdelar och förbrukningsmaterial för säker drift. Godkända reservdelar, förbrukningsmaterial och tillbehör till din produkt från oss hittar du i närmaste **Hilti Store** eller på: www.hilti.group.

9 Transport och förvaring av batteridrivna verktyg

Transport

FÖRSIKTIGHET

Oavsiktlig start under transport. !

- ▶ Transportera alltid produkten utan insatta batterier.
- ▶ Ta bort batterierna.
- ▶ Transportera aldrig batterierna löst liggande.
- ▶ Kontrollera att verktyget och batterierna är oskadade innan de används efter längre transporter.

Förvaring

FÖRSIKTIGHET

Oavsiktlig skada på grund av trasiga eller läckande batterier. !

- ▶ Förvara alltid produkten utan insatta batterier.
- ▶ Förvara verktyget och batterierna så svalt och torrt som möjligt.
- ▶ Förvara aldrig batterierna i direkt solsken, på värmeelement eller bakom glasrutor.
- ▶ Förvara verktyget och batterierna oåtkomliga för barn och obehöriga personer.
- ▶ Kontrollera att verktyget och batterierna är oskadade innan de används efter en längre tids förvaring.

10 Felsökning

Kontakta **Hilti Service** om det uppstår ett fel som inte finns med i den här tabellen eller som du inte lyckas åtgärda på egen hand.

10.1 Felsökning


Fel	Möjlig orsak	Lösning
Batteriet laddar ur fortare än vanligt.	Mycket låg omgivningstemperatur.	▶ Värm långsamt upp batteriet till rumstemperatur.
Batteriet hakar inte i med ett hörbart klick.	Batteriets låsmekanism är smutsig.	▶ Rengör låsmekanismen och sätt i batteriet igen.
1 lysdiod blinkar. Verktyget fungerar inte.	Batteriet är urladdat.	▶ Byt batteri och ladda det tomma batteriet.
	Batteriet är för varmt eller för kallt.	▶ Låt batteriet långsamt värmas upp/svalna till rumstemperatur.
Alla fyra lysdiодerna blinkar. Verktyget fungerar inte.	Verktyget är överlastat.	▶ Släpp strömbrytaren och tryck in den igen. Låt sedan verktyget gå på tomgång i ca 30 sekunder.
Vinkelslipen eller batteriet blir väldigt varmt.	Elektriskt fel	▶ Stäng genast av verktyget, ta ur batteriet och syna det, låt det svalna och kontakta Hilti-service .
Verktyget har inte full effekt.	Batteri med för låg kapacitet har satts in.	▶ Använd ett batteri med högre kapacitet.
Motorns bromsfunktion fungerar inte.	Batteriet är urladdat.	▶ Byt batteri och ladda det tomma batteriet.
	Verktyget har överlastats under en kort period.	▶ Stäng av verktyget och slå sedan på det igen.



11 RoHS (föreskrifter för begränsning av användningen av farliga ämnen)

Använd den här länken för att komma till tabellen över farliga ämnen: qr.hilti.com/r9884540.
En länk till RoHS-tabellen hittar du i slutet på det här dokumentet i form av en QR-kod.

12 Avfallshantering

 **Hilti**-produkter är till stor del tillverkade av återvinningsbara material. En förutsättning för återvinning är att materialen separeras på rätt sätt. I många länder kan du lämna in ditt uttjänta instrument så att **Hilti** tar hand om det. Hör efter med **Hiltis** kundtjänst eller din kontaktperson.

Avfallshantering av batterier

Bristfällig avfallshantering av batterier kan orsaka hälsorisker på grund av läckande gaser eller vätskor.

- ▶ Skicka aldrig iväg skadade batterier!
- ▶ Täck anslutningarna med ett icke ledande material för att förhindra kortslutningar.
- ▶ Kassera batterier så att de inte kan hamna i händerna på barn.
- ▶ Kassera batteriet hos din **Hilti Store** eller vänd dig till närmaste återvinningscentral.



- ▶ Kasta inte elverktyg, elektronisk apparatur och batterier i hushållssoporna.
-

13 Tillverkargaranti

- ▶ Vänd dig till din lokala **Hilti**-representant om du har frågor om garantivillkoren.



1 Informasjon om dokumentasjonen

1.1 Om denne dokumentasjonen

- Les denne dokumentasjonen før du tar produktet i bruk. Dette er en forutsetning for sikkerhet under arbeidet og problemfri bruk.
- Følg sikkerhetshenvisningene og advarslene i denne dokumentasjonen og på produktet.
- Oppbevar alltid bruksanvisningen på produktet, og lever bruksanvisningen fra deg sammen med produktet hvis det overtas av andre personer.

1.2 Symbolforklaring

1.2.1 Farehenvisninger

Farehenvisninger advarer mot farer under håndtering av produktet. Følgende signalord brukes:



FARE

FARE !

- ▶ For en umiddelbart truende fare som kan føre til alvorlige personskader eller død.



ADVARSEL

ADVARSEL !

- ▶ Varsler en mulig fare som kan føre til alvorlige personskader eller død.



FORSIKTIG

FORSIKTIG !

- ▶ Varsler om en mulig farlig situasjon som kan føre til lettere personskade eller skade på utstyr og annen eiendom.

1.2.2 Symboler i dokumentasjonen

Følgende symboler brukes i denne dokumentasjonen:

	Les bruksanvisningen før bruk
	Anvisninger om bruk og annen nyttig informasjon
	Håndtering av resirkulerbare materialer
	Ikke kast elektriske apparater eller batterier i husholdningsavfallet

1.2.3 Symboler i illustrasjoner

Følgende symboler brukes i illustrasjonene:

	Disse tallene henviser til illustrasjonen foran i denne bruksanvisningen
	Nummereringen angir rekkefølgen for arbeidstrinnene på bildet og kan avvike fra arbeidstrinnene i teksten
	Posisjonsnumrene brukes i illustrasjonen Oversikt og henviser til numrene på teksten i avsnittet Produktoversikt
	Dette symbolet betyr at håndtering av produktet krever stor grad av oppmerksomhet.

1.3 Produktavhengige symboler

1.3.1 Symboler på produktet

Følgende symboler brukes på produktet:

	Bruk vernebriller
--	-------------------



2233926

n	Nominelt turtall
/min	Omdreiningar per minutt
RPM	Omdreiningar per minutt
Ø	Diameter
---	Likestrøm
	Trådløs dataoverføring
Li-Ion	Li-ion-batteri
	Brukt Hilti Li-Ion-batteriserie. Følg anvisningene i kapitlet Forskriftsmessig bruk .

1.4 Produktinformasjon

-produkter er laget for profesjonell bruk og må kun brukes, vedlikeholdes og repareres av kyndig personale. Dette personalet må informeres om eventuelle farer som kan oppstå. Produktet og tilleggsutstyret kan utgjøre en fare hvis det betjenes av ukvalifisert personale eller det benyttes feil.

Typebetegnelse og serienummer står på typeskiltet.

- Skriv inn serienummeret i tabellen nedenfor. Du trenger produktspesifikasjonene ved henvendelser til Hiltis representant eller servicesenter.

Produktspesifikasjoner

Vinkelsliper	AG 4S-A22
Generasjon	01
Serienummer	

1.5 Samsvarserklæring

Vi erklærer herved at produktet som er beskrevet her, er i samsvar med gjeldende normer og direktiver. Du finner et bilde av samsvarserklæringen på slutten av denne dokumentasjonen.

Den tekniske dokumentasjonen er lagret her:

Hilti Entwicklungsgesellschaft mbH | Zulassung Geräte | Hiltistraße 6 | 86916 Kaufering, DE

2 Sikkerhet

2.1 Sikkerhetsregler

2.1.1 Generelle sikkerhetsregler for elektroverktøy

⚠ ADVARSEL Les alle sikkerhetsanvisninger, instruksjoner, illustrasjoner og tekniske data som elektroverktøyet er utstyrt med. Manglende overholdelse av anvisningene nedenfor kan medføre elektrisk støt, brann og/eller alvorlige personskader.

Overhold alle sikkerhetsanvisninger og instruksjoner i hele bruksperioden.

Begrepet "elektroverktøy" som er brukt i sikkerhetsanvisningene, viser til nettdrevne elektroverktøy (med nettkabel) eller til batteridrevne elektroverktøy (uten nettkabel).

Sikkerhet på arbeidsplassen

- **Hold arbeidsområdet rent og godt opplyst.** Rotete eller dårlig belyste arbeidsområder kan føre til ulykker.
- **Bruk ikke elektroverktøyet i eksplosjonsfarlige omgivelser hvor det befinner seg brennbare flytende stoffer, gasser eller støv.** Elektroverktøy lager gnister som kan antenne støv eller damp.
- **Hold barn og andre personer på sikker avstand mens elektroverktøyet brukes.** Hvis du blir forstyrret under arbeidet, kan du miste kontrollen over verktøyet.



Elektrisk sikkerhet

- ▶ **Elektroverktøyets støpsel må passe i stikkkontakten. Støpselet må ikke forandres på noen som helst måte. Bruk ikke adapterkontakt på jordete elektroverktøy.** Uendrede støpsler og egnede stikkontakter minsker risikoen for elektrisk støt.
- ▶ **Unngå kroppskontakt med jordete overflater som rør, radiatorer, komfyrer eller kjøleskap.** Risikoen for elektriske støt er høyere når kroppen er jordet.
- ▶ **Hold elektroverktøyet unna regn og fuktighet.** Risikoen for elektrisk støt øker ved inntrenging av vann i et elektroverktøy.
- ▶ **Bruk ikke ledningen til å bære elektroverktøyet, henge det opp eller til å dra støpselet ut av stikkkontakten. Hold ledningen unna varme, olje, skarpe kanter og deler som beveger seg.** Skadde eller sammenviklede ledninger øker risikoen for elektriske støt.
- ▶ **Bruk kun skjøteledninger som også er godkjent for utendørs bruk når du arbeider med et elektroverktøy utendørs.** Bruk av skjøteledning som er egnet til utendørs bruk, minsker risikoen for elektrisk støt.
- ▶ **Må elektroverktøyet brukes i fuktige omgivelser, er det nødvendig å bruke en jordfeilbryter.** Bruk av en jordfeilbryter reduserer risikoen for elektrisk støt.

Personsikkerhet

- ▶ **Vær oppmerksom, pass på hva du gjør, og gå fornuftig fram under arbeidet med et elektroverktøy. Ikke bruk elektroverktøy når du er trøtt eller påvirket narkotika, alkohol eller medikamenter.** Et øyeblikks uoppmerksomhet ved bruk av elektroverktøyet kan være nok til å forårsake alvorlige personskader.
- ▶ **Bruk alltid personlig verneutstyr og vernebriller.** Bruk av personlig verneutstyr som støvmaske, sklisikre vernesko, hjelm eller hørselsvern – avhengig av type og bruk av elektroverktøyet – reduserer risikoen for skader.
- ▶ **Unngå utilsiktet start. Forsikre deg om at elektroverktøyet er slått av før du setter i stikkkontakten eller batteriet og før du løfter eller flytter elektroverktøyet.** Hvis du holder fingeren på bryteren når du bærer elektroverktøyet, eller kobler elektroverktøyet til strøm i innkoblet tilstand, kan dette føre til uhell.
- ▶ **Fjern justeringsverktøy og skrunøkkel før du slår på elektroverktøyet.** Et verktøy eller en nøkkel som befinner seg i en roterende maskindel, kan føre til skader.
- ▶ **Unngå uhensiktsmessige arbeidsposisjoner. Sørg for å stå stødig og i balanse.** Dermed kan du kontrollere elektroverktøyet bedre i uventede situasjoner.
- ▶ **Bruk egnede klær. Ikke bruk vide klær eller smykker. Hold hår, tøy og hansker unna deler som beveger seg.** Løstsittende tøy, smykker eller langt hår kan komme inn i deler som beveger seg.
- ▶ **Hvis det er montert støvavsugs- og oppsamlingsinnretninger, må det kontrolleres at disse er koblet til og blir brukt på riktig måte.** Bruk av støvavsug kan redusere faremomentene i forbindelse med støv.
- ▶ **Ikke føl deg for trygg og ikke bryt sikkerhetsreglene for elektroverktøy, heller ikke når du etter lang tids bruk er blitt fortrolig med elektroverktøyet.** Et øyeblikks uaktsomhet kan føre til alvorlige personskader.

Bruk og behandling av elektroverktøyet

- ▶ **Ikke overbelast verktøyet. Bruk et elektroverktøy som er beregnet til den type arbeid du vil utføre.** Med et passende elektroverktøy arbeider du bedre og sikrere i det angitte effektområdet.
- ▶ **Ikke bruk elektroverktøy med defekt bryter.** Et elektroverktøy som ikke lenger kan slås av eller på, er farlig og må repareres.
- ▶ **Dra ut støpselet fra stikkkontakten og/eller ta ut et uttakbart batteri før du foretar maskinnstillinger, bytter tilleggsutstyr eller legger bort verktøyet.** Disse tiltakene forhindrer utilsiktet start av elektroverktøyet.
- ▶ **Oppbevar elektroverktøy som ikke brukes, utenfor barns rekkevidde. La ikke personer som ikke er fortrolige med verktøyet eller ikke har lest disse instruksjonene, bruke verktøyet.** Elektroverktøy er farlige når de brukes av uerfarne personer.
- ▶ **Sørg for grundig stell og vedlikehold av elektroverktøyet med tilbehør. Kontroller at bevegelige deler på elektroverktøyet fungerer feilfritt og ikke klemmes fast, og at ingen deler er brukket eller skadet, slik at dette innvirker på elektroverktøyets funksjon. La skadde deler repareres før elektroverktøyet brukes.** Mange ulykker er et resultat av dårlig vedlikeholdte elektroverktøy.
- ▶ **Hold skjæreverktøy skarpe og rene.** Godt vedlikeholdte skjæreverktøy med skarpe skjærekanten blir sjeldnere fastklemt og er lettere å styre.
- ▶ **Bruk elektroverktøy, tilbehør, arbeidsverktøy osv. i overensstemmelse med denne anvisningen. Ta hensyn til arbeidsforholdene og arbeidet som skal utføres.** Bruk av elektroverktøy til andre formål enn det som er angitt, kan føre til farlige situasjoner.



- ▶ **Hold håndtak og gripeflater tørre, rene og frie for olje og fett.** Glatte håndtak og gripeflater gir ikke sikker betjening og kontroll av elektroverktøyet i uforutsette situasjoner.

Bruk og behandling av det batteridrevne elektroverktøyet

- ▶ **Bruk kun ladere som er anbefalt av produsenten når du skal lade batteriene.** Det oppstår brannfare når det brukes andre batterier i en lader enn dem laderen er egnet for.
- ▶ **Bruk bare batterier som er beregnet for de forskjellige elektroverktøyene.** Bruk av andre batterier kan medføre skader og brannfare.
- ▶ **Unngå å oppbevare ubrukte batterier i nærheten av binders, mynter, nøkler, nagler, skruer eller andre små metallgjenstander som kan forårsake kortslutning av kontakten.** En kortslutning mellom batterikontaktene kan føre til forbrenninger eller brann.
- ▶ **Ved feil bruk kan væske lekke fra batteriet. Unngå kontakt med denne væsken. Ved tilfeldig kontakt må det skylles med vann. Hvis det kommer væske i øynene, må du i tillegg oppsøke lege.** Batterivæske som renner ut, kan føre til irritasjoner på huden eller forbrenninger.
- ▶ **Ikke bruk batterier som er skadde eller modifiserte.** Skadde eller modifiserte batterier kan oppføre seg uforutsigbart og forårsake brann, eksplosjon eller personskade.
- ▶ **Ikke utsett batterier for åpen ild eller høye temperaturer.** Ild eller temperaturer over 130 °C (265 °F) kan forårsake eksplosjon.
- ▶ **Følg alle anvisningene for lading, og lad aldri batteriet eller det batteridrevne verktøyet utenfor temperaturområdet som er angitt i bruksanvisningen.** Feil lading eller lading utenfor det tillatte temperaturområdet kan ødelegge batteriet og øke brannfaren.

Service

- ▶ **Elektroverktøyet må kun repareres av kvalifisert fagpersonale og kun med originale reservedeler.** Slik opprettholdes maskinens sikkerhet.
- ▶ **Vedlikehold ikke skadde batterier.** Alt vedlikehold på batterier skal utføres av produsenten eller et godkjent serviceverksted.

2.1.2 Felles sikkerhetsanvisninger for sliping, sandpaprsliping, stålborsting, polering og kapping:

- ▶ **Dette elektroverktøyet skal bare brukes til sliping, sandpaprsliping, stålborsting og kapping. Overhold alle sikkerhetsanvisninger, andre anvisninger, skjemstillinger og data som følger med maskinen.** Dersom du ikke overholder anvisningene nedenfor, er det fare for elektrisk støt, brann og/eller alvorlige personskader.
- ▶ **Dette elektroverktøyet egner seg ikke til polering.** Bruk av elektroverktøyet til formål det ikke er beregnet for, kan være farlig og forårsake skader.
- ▶ **Bruk ikke tilbehør som ikke er spesielt beregnet for og anbefalt til dette elektroverktøyet fra produsenten.** Selv om tilbehøret lar seg feste til elektroverktøyet, garanterer ikke dette at det er trygt å bruke det.
- ▶ **Maks. tillatt omdreiningstall for innsatsverktøyet må være minst like høyt som maks. tillatt omdreiningstall for selve elektroverktøyet.** Tilbehør som roterer raskere enn tillatt, kan gå i stykker og bli slynget ut.
- ▶ **Utvendig diameter og tykkelse på innsatsverktøyet må stemme overens med elektroverktøyet's dimensjoner.** Feil dimensjonerte innsatsverktøy kan ikke skjermes eller kontrolleres på tilfredsstillende måte.
- ▶ **Verktøy med gjengeinnsats må passe nøyaktig til gjengene på slipespindelen. På verktøy som monteres ved hjelp av flens, må verktøyet's hulldiameter passe til festediameteren på flensen.** Verktøy som ikke festes nøyaktig på elektroverktøyet, roterer ujevnt, vibrerer kraftig og kan føre til at du mister kontrollen.
- ▶ **Bruk ikke skadde innsatsverktøy. Kontroller alltid innsatsverktøy før du bruker dem. På slipeskiver ser du etter avspilting og sprekker, på slipetallerkener etter sprekker, nedslitthet og slitasje og på stålborster etter løse eller brukne tinner. Hvis elektroverktøyet eller innsatsverktøyet faller ned, kontrollerer du om det er skadet eller bruker et uskadd innsatsverktøy. Når du har kontrollert og satt på plass verktøyet, lar du elektroverktøyet gå et minutt på maksimalt omdreiningstall. Sørg for at du og eventuelle andre personer i nærheten oppholder dere på trygg avstand fra det roterende verktøyet. De fleste skadde innsatsverktøy vil brenne i løpet av denne testtiden.**
- ▶ **Bruk personlig verneutstyr. Bruk ansiktsmaske, øyvern eller vernebriller avhengig av bruken. Når det er nødvendig, bruker du støvmaske, hørselsvern, arbeidshansker eller spesialforkle som beskytter mot små slipe- og materialpartikler. Øynene må beskyttes mot fremmedlegemer som slynget ut ved forskjellig bruk. Støvmaske eller åndedrettsvern er nødvendig for å filtrere støvet som produseres når verktøyet brukes. Hvis du i lang tid blir utsatt for høy støy, kan du bli rammet av hørselstap.**



- ▶ **Sørg for å holde andre personer på trygg avstand fra arbeidsområdet ditt. Alle som befinner seg i arbeidsområdet, må bruke personlig verneutstyr.** Bruddstykker av arbeidsstykket eller brukne innsatsverktøy kan slenges av gårde og forårsake skader også utenfor selve arbeidsområdet.
- ▶ **Hold bare elektroverktøyet i de isolerte gripeflatene når du utfører arbeid der verktøyet kan komme i kontakt med elektriske ledninger.** Kontakt med en spenningsførende ledning kan også sette maskinens metalldele under spenning og føre til elektrisk støt.
- ▶ **Hold nettkabelen unna roterende innsatsverktøy.** Hvis du mister kontrollen over maskinen, kan strømkabelen kuttes eller bli hengende, og hånden eller armen din kan bli trukket inn i det roterende innsatsverktøyet.
- ▶ **Legg aldri fra deg elektroverktøyet før innsatsverktøyet har stanset helt.** Det roterende innsatsverktøyet kan komme i berøring med underlaget slik at du kan miste kontrollen over elektroverktøyet.
- ▶ **La ikke elektroverktøyet gå mens du bærer det.** Klærne dine kan ved tilfeldig kontakt sette seg fast i det roterende innsatsverktøyet, og innsatsverktøyet kan bore seg inn i kroppen din.
- ▶ **Rengjør ventilasjonsåpningene på elektroverktøyet regelmessig.** Motorviften trekker støv inn i motorhuset, og stor opphopning av metallstøv kan forårsake elektrisk fare.
- ▶ **Bruk aldri elektroverktøyet i nærheten av brennbare materialer.** Materialene kan antennes av gnister.
- ▶ **Bruk ikke innsatsverktøy som krever kjølevæske.** Bruk av vann eller andre kjølevæsker kan føre til elektrisk støt.

Rekyl og tilhørende sikkerhetsanvisninger

Rekyl er en plutselig reaksjon som følge av at et verktøy som slipeskive, slipetallerken, stålbørste osv. kjører seg fast eller blokkeres slik at det oppstår en plutselig stopp i rotasjonen til verktøyet. Dermed blir et ukontrollert elektroverktøy akselerert mot rotasjonsretningen til verktøyet på blokkeringsstedet.

Hvis for eksempel en slipeskive kjører seg fast eller blokkeres, kan kanten av slipeskiven som er senket ned i emnet, bli sittende fast slik at slipeskiven brytes løs eller forårsaker en rekyl. Slipeskiven beveger seg da mot eller fra brukeren, alt etter skivens rotasjonsretning på blokkeringsstedet. I den forbindelse kan slipeskivene også brekke.

En rekyl er en følge av en feil eller feilaktig bruk av elektroverktøyet. Den kan hindres gjennom egnede forholdsregler som beskrevet nedenfor.

- ▶ **Hold elektroverktøyet godt fast, og plasser kroppen og armene slik at du kan fange opp rekylkraften. Bruk alltid ekstrahåndtaket der dette finnes, for å få størst mulig kontroll over rekylkreftene eller reaksjonsmomentet ved akselerasjon.** Brukeren kan takle rekyl- og reaksjonskreftene gjennom egnede sikkerhetstiltak.
- ▶ **Sørg for at hendene og andre kroppsdeler alltid holdes langt unna det roterende verktøyet.** Verktøyet kan bevege seg over hånden ved rekyl.
- ▶ **Unngå å plassere kroppen i det området der elektroverktøyet vil bevege seg ved rekyl.** Rekylen driver elektroverktøyet i motsatt retning av slipeskivens bevegelsesretning på blokkeringsstedet.
- ▶ **Arbeid alltid forsiktig ved hjørner, skarpe kanter osv. Unngå at innsatsverktøyet kan slå tilbake fra eller setter seg fast i emnet.** Det roterende innsatsverktøyet har en tendens til å sette seg fast ved hjørner, skarpe kanter eller når det slår tilbake. Dette fører til manglende kontroll eller rekyl.
- ▶ **Bruk ikke kjedesagblad eller sagblad med tenner.** Slike innsatsverktøy forårsaker ofte rekyl eller tap av kontroll over elektroverktøyet.

Spesielle sikkerhetsanvisninger vedrørende sliping og kapping:

- ▶ **Bruk bare slipeelementer som er tillatt for dette elektroverktøyet samt beskyttelsesdeksel som er beregnet for slipeelementene.** Slipeelementer som ikke er beregnet til elektroverktøyet, kan ikke skjermes tilfredsstillende og er usikre.
- ▶ **Krumme slipeskiver må monteres slik at slipeflaten ikke stikker ut over kanten av beskyttelsesdekselet.** En ufagmessig montert slipeskive som stikker ut over kanten på beskyttelsesdekselet, kan ikke skjermes tilstrekkelig.
- ▶ **Beskyttelsesdekselet må være sikkert festet på maskinen og må være innstilt for størst mulig sikkerhet, det vil si slik at en så liten del som mulig av slipeelementet ligger åpent mot brukeren.** Beskyttelsesdekselet bidrar til å beskytte brukeren mot bruddstykker, tilfeldig kontakt med slipeelementet samt mot gnister som kan antenne klærne.
- ▶ **Slipeelementer skal bare brukes til anbefalte bruksområder. For eksempel: Slip aldri med sideflaten på en kappeskive.** Kappeskiver er beregnet for materialfjerning med kanten av skiven. Sidelengs kraftinnvirkning på disse slipeelementene kan ødelegge dem.
- ▶ **Bruk alltid bare uskadede låseflenser i riktig dimensjon og form for slipeskiven du har valgt.** Egnede flenser støtter slipeskiven og reduserer på den måten faren for brudd. Flenser til kappeskiver kan være annerledes enn flensene til andre slipeskiver.



- ▶ **Bruk ikke utslitte slipeskiver fra større elektroverktøy.** Slipeskiver for større elektroverktøy er ikke dimensjonert for de høyere omdreiningstallene til mindre elektroverktøy og kan brenke.

Ytterligere spesielle sikkerhetsanvisninger for kapping:

- ▶ **Unngå blokkering av kappeskiven eller for høyt mottrykk. Utfør ingen overdrevent dype snitt.** Overbelastning av kappeskiven øker belastningen og skivens tendens til pressing eller blokkering og dermed faren for rekyl eller brudd på slipeelementet.
- ▶ **Unngå området foran og bak den roterende kappeskiven.** Hvis du beveger kappeskiven fra deg i emnet, kan det ved en rekyl skje at elektroverktøyet og den roterende skiven slynges direkte tilbake mot deg.
- ▶ **Dersom kappeskiven setter seg fast eller du avbryter arbeidet, slår du maskinen av og holder den rolig til skiven har stanset helt. Forsøk aldri å fjerne kappeskiven fra snittet mens den fortsatt roterer, da dette kan forårsake rekyl.** Finn og fjern årsaken til fastklemmingen.
- ▶ **Start ikke elektroverktøyet så lenge det befinner seg i arbeidsemnet. La kappeskiven først nå opp i maks. omdreiningstall før du forsiktig fortsetter snittet.** Ellers kan skivene hekte seg fast, hoppe ut av arbeidsemnet eller forårsake rekyl.
- ▶ **Støtt opp plater og store arbeidsemner, da reduseres risikoen for rekyl på grunn av en fastklemmt kappeskive.** Store arbeidsemner kan brenke under sin egen vekt. Arbeidsemnet må støttes opp på begge sider og i nærheten av kappesnittet og kanten.
- ▶ **Vær ekstra forsiktig ved lommesnitt i eksisterende vegger eller andre områder du ikke har oversikt over.** Den innstikkende kappeskiven kan forårsake rekyl ved skjæring i gass- eller vannledninger, strømledninger eller andre objekter.

Spesielle sikkerhetsanvisninger for sandpapirsliping:

- ▶ **Ikke bruk overdimensjonerte slipepapir, men følg produsentens angivelser for slipepapirstørrelse.** Slipepapir som stikker ut over slipetallerkenen, kan forårsake personskader og føre til blokkering, oppriving av slipepapir og til rekyl.

Spesielle sikkerhetsanvisninger vedrørende arbeid med stålborster:

- ▶ **Vær oppmerksom på at stålborsten mister tinder også ved vanlig bruk. Overlast ikke tindene gjennom for høyt mottrykk.** Løse tinder kan veldig lett trenge gjennom tynne klær og/eller inn i huden.
- ▶ **Anbefales bruk av beskyttelsesdeksel, må du sørge for at beskyttelsesdekselet og stålborsten ikke kan berøre hverandre.** Tallerken- og koppborster kan få økt diameter gjennom mottrykk og sentrifugalkraft.

2.1.3 Ekstra sikkerhetsanvisninger

Personsikkerhet

- ▶ Bruk produktet bare i teknisk feilfri stand.
- ▶ Ikke foreta modifiseringer eller endringer på maskinen.
- ▶ Unngå å berøre de roterende delene. Fare for personskader!
- ▶ Bruk vernehansker også ved skifte av verktøy. Berøring av innsatsverktøyet kan føre til kuttskader og forbrenninger.
- ▶ Før arbeidet påbegynnes, må du bringe på det rene hvilken fareklasse støvmaterialet som oppstår, tilhører. Bruk en begygnstøvsuger med offisiell beskyttelsesklassifisering sammen med maskinen. Maskinen må oppfylle lokale støvbeskyttelseskrav. Støv fra materialer som blyholdig maling, enkelte tresorter, betong/mur/stein som inneholder kvarts, mineraler og metaller kan være helseskadelig.
- ▶ Sørg for god ventilasjon på arbeidsplassen, og bruk eventuelt åndedrettsvern tilpasset den aktuelle typen støv. Berøring eller innånding av slike typer støv kan fremkalle allergiske reaksjoner og/eller luftveissykdommer hos brukeren og andre personer som oppholder seg i nærheten. Bestemte typer støv som eikestøv eller bøkstøv regnes som kreftfremkallende, særlig i forbindelse med stoffer for trebehandling (kromat, trepleiemidler). Asbestholdige materialer skal kun håndteres av kvalifisert personell.
- ▶ Ta pauser i arbeidet og gjør øvelser for å sikre bedre blodsirkulasjon i fingrene. Ved langvarig arbeid kan det oppstå skader på blodkar eller nervesystemet i fingrer, hender eller håndledd.

Elektrisk sikkerhet

- ▶ Kontroller før arbeidet påbegynnes at det ikke finnes skjulte strømledninger, gass- eller vannrør i arbeidsområdet. Utvendige metalldele på maskinen kan forårsake elektrisk støt hvis du utilsiktet skulle skade en strømledning.

Forsiktig behandling og bruk av elektroverktøy

- ▶ Ikke bruk kappeskiver til sliping.
- ▶ Trekk til innsatsverktøyet og flensen godt. Hvis innsatsverktøyet og flensen ikke trekkes godt nok til, er det etter utkobling fare for at verktøyet løsner fra spindelen under oppbremsing med maskinens motor.



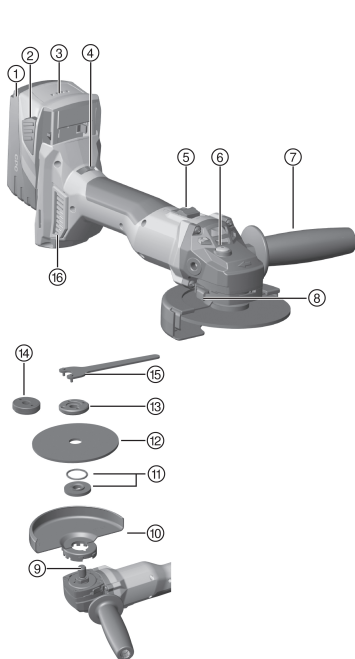
- ▶ Følg produsentens anvisninger om håndtering og oppbevaring av slipeskiver.

2.1.4 Aktsom håndtering og bruk av batterier

- ▶ Ta hensyn til spesielle retningslinjer for transport, lagring og bruk av Li-Ion-batterier.
- ▶ Hold batteriene unna høye temperaturer, direkte solskinn og åpen ild.
- ▶ Batteriene må ikke tas fra hverandre, klemmes, varmes opp over 80 °C eller brennes.
- ▶ Ikke bruk eller lad opp batterier som har fått et støt, har falt ned over en meter eller er skadet på annen måte. Kontakt i slike tilfeller alltid **Hilti service**.
- ▶ Hvis batteriet er for varmt til å ta i, kan det være defekt. Plasser produktet på et ikke-brennbart sted med tilstrekkelig avstand fra brennbare materialer, der det kan observeres. La det avkjøles. Kontakt i slike tilfeller alltid **Hilti service**.

3 Beskrivelse

3.1 Produktoversikt



- ① Batteri
- ② Låseknapp for batteri
- ③ Ladenivåindikator
- ④ Hastighetsregulering
- ⑤ Av/på-bryter
- ⑥ Spindellåseknapp
- ⑦ Sidehåndtak
- ⑧ Hurtiglås for beskyttelsesdeksel
- ⑨ Spindel
- ⑩ Standardbeskyttelsesdeksel
- ⑪ Spennflens med O-ring
- ⑫ Kappeskive/slipeskive
- ⑬ Spennmutter
- ⑭ Hurtigspennmutter **Kwik lock** (ekstraustyr)
- ⑮ Spennøkkel
- ⑯ Støvfilter

3.2 Forskriftsmessig bruk

Det beskrevne produktet er en håndholdt, batteridrevet vinkelsliper. Den er beregnet til kapping og sliping av metalliske og mineraliske materialer, til børsting, sandpapirsliping og fliseboring uten bruk av vann. Den skal bare brukes til tørrsliping og tørrkapping.

- Kapping, slissing og sliping av mineraliske arbeidsemner er bare tillatt ved bruk av det tilhørende beskyttelsesdekslet (fås som ekstraustyr).
- Ved behandling av mineraliske underlag som betong og stein må det brukes et tilpasset støvdeksel på en egnet **Hilti**-støvsuger.
- ▶ Til dette produktet må det bare brukes **Hilti** Li-Ion-batterier i serien B 22.
- ▶ Bruk bare **Hilti**-laderne i C4/36-serien til disse batteriene.



2233926

3.3 Dette følger med

vinkelsliper, sidehåndtak, standardbeskyttelsesdeksel, frontvern, spennflens, spennmutter, spennøkkel, støvfilter, bruksanvisning.

I tillegg finner du tillatte systemprodukter til produktet hos nærmeste **Hilti Store** eller på nettet under: www.hilti.group.

3.4 ATC

Maskinen er utstyrt med den elektroniske hurtigutkoblingen ATC (Active Torque Control).

Hvis innsatsverktøyet blokkeres eller klemmes fast, begynner maskinen plutselig å rotere ukontrollert i den motsatte retningen. ATC registrerer denne plutselige rotasjonsbevegelsen til maskinen og slår maskinen av umiddelbart.



For riktig funksjon må maskinen kunne rotere.
Slå maskinen av og på igjen etter hurtigutkoblingen.

3.5 Temperaturavhengig beskyttelse av maskinen

Den temperaturavhengige motorbeskyttelsen overvåker strømforbruket samt motoroppvarmingen og forhindrer at maskinen blir overopphetet.

Skulle motoren bli overbelastet på grunn av for høyt presstrykk, synker maskinens ytelse merkbart og maskinen kan stanse.

Hvis det oppstår stillstand eller turtallsreduksjon på grunn av overbelastning, må du redusere trykket på maskinen og la den gå ca. 30 sekunder på tomgang.

3.6 Beskyttelsesdeksel med frontvern 2

Til sliping med rette slipeskiver og til kapping med kappeskiver ved bearbeiding av metallemer må du bruke standardbeskyttelsesdeksel med frontvern.

3.7 Støvdeksel (kapping) DC-EX 125/5" C kompaktdeksel (tilbehør) 3

Til kapping av mineralske materialer med diamantkappeskiver må man bruke kompaktdekselet DC-EX 125/5" C.

Det er forbudt å bearbeide metall med dette dekselet.

3.8 Støvdeksel (slissing) DC-EX 125/5" M (tilbehør) 4

Kappe- og slissearbeider på mineralisk materiale med diamantkappeskiver skal kun utføres med støvdeksel.

FORSIKTIG Det er forbudt å bearbeide metall med dette dekselet.

3.9 Støvdeksel (sliping) DG-EX 125/5" (tilbehør) 5

Slipesystemet er kun beregnet til sporadisk sliping av mineralmateriale med diamantkappeskiver.

Det er forbudt å bearbeide metall med dette dekselet.

3.10 Ladenivåindikator for Li-Ion-batteriet

Ladenivået for Li-Ion-batteriet vises når du trykker på en låseknappene for batteriet.

Tilstand	Betydning
4 LED-er lyser.	Ladenivå: 75 % til 100 %
3 LED-er lyser.	Ladenivå: 50 % til 75 %
2 LED-er lyser.	Ladenivå: 25 % til 50 %
1 LED lyser.	Ladenivå: 10 % til 25 %
1 LED blinker.	Ladenivå: < 10 %



Mens arbeidet pågår, og umiddelbart etterpå, er det ikke mulig å vise ladenivået. Ved blinkende LED-er på batteriets ladenivåindikator må du følge henvisningene i kapitlet Feilsøking.



4 Forbruksmaterieil

Det må bare brukes kunstharpiksbundete, fiberarmerte skiver til maks. Ø 125 mm, som er tillatt for et turtall på minst 11000/min og en periferihastighet på 80 m/s.

Skivetykkelsen kan maks. være 6,4 mm for slipeskiver og maks. 3,0 mm for kappeskiver.

OBS! Ved kapping og slissing med kappeskiver må det alltid brukes standardbeskyttelsesdeksel med ekstra frontvern eller et helt lukket støvdeksel.

Skiver

Type	Bruk	Forkortet kode	Underlag
Abrasiv kappeskive	Kapping, slissing	AC-D	Metallisk
Diamantkappeskive	Kapping, slissing	DC-TP, DC-D (SPX, SP, P)	Mineralsk
Abrasiv slipeskive	Sliping	AG-D, AF-D, AN-D	Metallisk
Diamantslipeskive	Sliping	DG-CW (SPX, SP, P)	Mineralsk
Stålbørste	Stålbørster	3CS, 4CS, 3SS, 4SS	Metallisk
Diamantborkrone	Fliseboring	DD-M14	Mineralsk
Fiberskive	Sliping	AP-D	Metallisk

Tilordning av skivene til utstyret som skal brukes

Pos.	Utstyr	AC-D	AG-D, AF-D, AN-D	DG-CW (SPX, SP, P)	DC-TP, DC-D (SPX, SP, P)	AP-D	3CS, 4CS, 3SS, 4SS, DD-M14
A	Beskyttelsesdeksel	X	X	X	X	X	X
B	Frontvern (sammen med A)	X	—	—	X	—	—
C	Støvdeksel (sliping) DG-EX 125/5"	—	—	X	—	—	—
D	Støvdeksel (kapping) DC-EX 125/5"C (sammen med A)	—	—	—	X	—	—
E	Støvdeksel (slissing) DC-EX 125/5"M	—	—	—	X	—	—
F	Adapter DC-EX SL (sammen med E)	—	—	—	X	—	—
G	Sidehåndtak	X	X	X	X	X	X
H	Spennmutter	X	X	X	X	—	—
I	Spennflens	X	X	X	X	—	—
J	Kwik lock (ekstra-utstyr til H)	X	X	—	X	—	—
K	Spennmutter til fiberskive	—	—	—	—	X	—
L	Støttetallerken	—	—	—	—	X	—

5 Tekniske data

	AG 4S-A22-125
Merkespennning	21,6 V
Nominelt turtall	8 500 o/min
Maksimal skivediameter	125 mm
Vekt i henhold til EPTA-prosedyre 01	3,1 kg
Gjenget drivspindel	M14



2233926

Norsk

57

	AG 4S-A22-125
Spindellengde	22 mm
Omgivelsestemperatur under drift	-17 °C ... 60 °C
Lagringstemperatur	-20 °C ... 70 °C

5.1 Tekniske data

Spindellengde	22 mm
Omgivelsestemperatur under drift	-17 °C ... 60 °C
Lagringstemperatur	-20 °C ... 70 °C

5.2 Batteri

Batteriets driftsspennning	21,6 V
Omgivelsestemperatur under drift	-17 °C ... 60 °C
Lagringstemperatur	-20 °C ... 40 °C
Batteritemperatur ved ladestart	-10 °C ... 45 °C

5.3 Støyinformasjon og vibrasjonsverdier iht. EN 60745

Lydtrykk- og vibrasjonsverdiene som er angitt i denne bruksanvisningen, er målt i samsvar med en normert målemetode og kan brukes til sammenligning av elektroverktøy. De egner seg også til en foreløpig vurdering av eksponeringene.

De angitte dataene representerer de viktigste bruksområdene for elektroverktøyet. Men hvis elektroverktøyet brukes til andre formål, med avvikende innsatsverktøy eller med utilstrekkelig vedlikehold, kan dataene avvike. Dette kan øke eksponeringene betraktelig gjennom hele arbeidsperioden.

For å få en nøyaktig vurdering av eksponeringene må man også ta hensyn til tidsrommene da maskinen er slått av eller er i gang, men ikke i drift. Dette kan redusere eksponeringene betraktelig gjennom hele arbeidsperioden.

Fastsett ekstra sikkerhetstiltak for å beskytte operatøren mot effekten av støy og/eller vibrasjoner, for eksempel: Vedlikehold av elektroverktøy og innsatsverktøy, holde hendene varme, organisering av arbeidsprosesser.

AG 4S-A22-125

Støyinformasjon

Avgitt lydtrykk (L_{pA})	81,5 dB(A)
Usikkerhet lydtrykknivå (K_{pA})	3 dB(A)
Lydeffektnivå (L_{WA})	92,5 dB(A)
Usikkerhet lydeffektnivå (K_{WA})	3 dB(A)

Vibrasjonsinformasjon

Andre bruksområder, som kapping, kan føre til avvikende vibrasjonsverdier.

Overflatesliping med vibrasjonsreducerende håndtak ($a_{h,AG}$)	4,7 m/s ²
Sandpapiersliping med vibrasjonsreducerende håndtak ($a_{h,DS}$)	5,3 m/s ²
Usikkerhet (K)	1,5 m/s ²

6 Idriftsetting

6.1 Lade batteriet

1. Les bruksanvisningen for laderen før lading.
2. Kontaktene på batteriet og laderen må være rene og tørre.
3. Lad opp batteriet i en godkjent lader.



6.2 Sette i batteri

FORSIKTIG

Fare for personskader på grunn av kortslutning eller ved at batteriet faller ned!

- ▶ Forsikre deg om at det ikke er fremmedlegemer ved kontaktene på batteriet og kontaktene på produktet før du setter batteriet inn i maskinen.
 - ▶ Kontroller at batteriet alltid går riktig i inngrep.
-
1. Lad batteriet helt opp før første gangs bruk.
 2. Sett batteriet inn i holderen på maskinen til det klikker hørbart på plass.
 3. Kontroller at batteriet sitter godt fast.

6.3 Ta ut batteri

1. Trykk på låseknappene på batteriet.
2. Trekk batteriet ut av maskinholderen.

6.4 Montere sidehåndtak

- ▶ Skru sidehåndtaket fast på en av gjengehyslene som er beregnet til formålet.

6.5 Montere eller demontere beskyttelsesdekselet

FORSIKTIG

Fare for personskader. Innsatsverktøyet kan være varmt eller ha skarpe kanter.

- ▶ Bruk vernehansker ved montering, demontering, innstillingsarbeid og feilretting.
-
- ▶ Les monteringsveiledningen for det aktuelle beskyttelsesdekslet.

6.5.1 Montere standardbeskyttelsesdekselet



Beskyttelsesdekselet er utstyrt med styretapper for å sikre at kun riktig deksel kan monteres. Styretappen på beskyttelsesdekselet passer i dekselfestet på maskinen.

1. Plasser beskyttelsesdekselet på spindelkragen slik at begge trekantmarkeringene på beskyttelsesdekselet og på maskinen står ovenfor hverandre.
2. Trykk beskyttelsesdekselet inn på spindelkragen.
3. Trykk på dekselets låseknapp og vri dekselet i ønsket posisjon til det smekker på plass.
 - ↳ Låseknappen for dekslene spretter tilbake.

6.5.2 Regulere standardbeskyttelsesdekselet

- ▶ Trykk på dekselets låseknapp og vri dekselet i ønsket posisjon til det smekker på plass.

6.5.3 Demontere standardbeskyttelsesdekselet

1. Trykk på låseknappen og vri beskyttelsesdekselet til begge trekantmarkeringene på beskyttelsesdekselet og på maskinen står overfor hverandre.
2. Ta av beskyttelsesdekselet.

6.6 Montere eller demontere frontvernet



Når frontvernet skal brukes, festes det på beskyttelsesdekselet.

1. Sett frontvernet på standardbeskyttelsesdekselet med den lukkede siden til låsen går i inngrep.
2. Ved demontering åpner du låsen til frontvernet og trekker frontvernet ut av standardbeskyttelsesdekselet.



6.7 Montere eller demontere innsatsverktøy

ADVARSEL

Fare for personskader. Ved bremsing av maskinens motor kan innsatsverktøyet løsne.

- ▶ Vent til innsatsverktøyet har stoppet før du griper tak i innsatsverktøyet eller spennmutteren.
- ▶ Stram innsatsverktøyet og spennflensen så hardt med spennmutteren at ingen deler på maskinens motor kan løsne fra spindelen.

FORSIKTIG

Fare for personskader. Innsatsverktøyet kan være varmt.

- ▶ Bruk vernehansker når du skifter innsatsverktøy.



Diamantskiver må skiftes ut når kutte- eller slipeytelsen blir merkbart dårligere. Vanligvis skjer dette når høyden på diamantsegmentene er lavere enn 2 mm.

Andre skivetyper må skiftes ut når kutteytelsen blir merkbart dårligere eller deler av vinkelsliperen (unntatt skiven) kommer i kontakt med arbeidsmaterialet under arbeidet.

Slipende skiver må skiftes ut når holdbarhetsdatoen er passert.

6.7.1 Montere innsatsverktøy

1. Fjern batteriet. → Side 59
2. Kontroller om O-ringen er feilfri og på plass i spennflensen.

Resultat

O-ringen er ødelagt.

Det er ingen O-ring i spennflensen.

- ▶ Sett in en ny spennflens med O-ring.

3. Sett spennflensen tilpasset og dreiesikkert på spindelen.
4. Sett på innsatsverktøyet.
5. Skru fast spennmutteren i samsvar med innsatsverktøyet som brukes.
6. Trykk på spindellåseknappen og hold den inne.
7. Trekk til spennmutteren med skrunøkkelen, slipp deretter spindellåseknappen og fjern skrunøkkelen.

6.7.2 Demontere innsatsverktøy

1. Fjern batteriet. → Side 59

FORSIKTIG

Fare for brudd og skade. Hvis spindellåseknappen trykkes inn mens spindelen roterer, kan innsatsverktøyet løsne.

- ▶ Trykk bare på spindellåseknappen når spindelen står i ro.
2. Trykk på spindellåseknappen og hold den inne.
 3. Løsne spennmutteren ved å sette på spennøkkelen og dreie den mot urviseren.
 4. Slipp spindellåseknappen og ta av innsatsverktøyet.

6.7.3 Montere innsatsverktøy med hurtigspennmutteren **Kwik lock**

FORSIKTIG

Fare for brudd. For sterk slitasje kan brette hurtigspennmutteren **Kwik lock**.

- ▶ Unngå kontakt med underlaget når du arbeider med **Kwik lock** hurtigspennmutter.
- ▶ Ikke bruk skadde hurtigspennmuttere **Kwik lock**.



Hurtigspennmutteren **Kwik lock** (ekstrautstyr) kan brukes i stedet for spennmutteren. Da kan du bytte innsatsverktøy uten å bruke ekstra verktøy.

1. Fjern batteriet. → Side 59



2. Kontroller om O-ringen er feilfri og på plass i spennflensen.

Resultat

O-ringen er ødelagt.

Det er ingen O-ring i spennflensen.

- ▶ Sett in en ny spennflens med O-ring.

3. Rengjør spennflensen og hurtigspennmutteren.
4. Sett spennflensen på spindelen.
5. Sett på innsatsverktøyet.
6. Skru hurtigspennmutteren **Kwik lock** på til den sitter fast på innsatsverktøyet.
 - ↳ Teksten **Kwik lock** er synlig i påskrudd tilstand.
7. Trykk på spindellåseknappen og hold den inne.
8. Drei innsatsverktøyet hardt videre for hånd med urviseren til hurtigspennmutteren **Kwik lock** er strammet godt. Slipp deretter spindellåseknappen.

6.7.4 Demontere innsatsverktøy med hurtigspennmutteren **Kwik lock**

1. Fjern batteriet. → Side 59

FORSIKTIG

Fare for brudd og skade. Hvis spindellåseknappen trykkes inn mens spindelen roterer, kan innsatsverktøyet løsne.

- ▶ Trykk bare på spindellåseknappen når spindelen står i ro.

2. Trykk på spindellåseknappen og hold den inne.
3. Løsne hurtigspennmutteren **Kwik lock** ved å dreie hurtigspennmutteren mot urviseren for hånd.
4. Hvis hurtigspennmutteren **Kwik lock** ikke kan løsnes for hånd, setter du en spennnøkkel på hurtigspennmutteren og dreier den mot urviseren.



Ikke bruk rørtang, det kan skade hurtigspennmutteren **Kwik lock**.

5. Slipp spindellåseknappen og ta av innsatsverktøyet.

6.7.5 Montere borkronen **10**

1. Fjern batteriet. → Side 59
2. Monter sidehåndtaket. → Side 59
3. Monter standardbeskyttelsesdekslet.
4. Sett på borkronen og skru den fast for hånd.
5. Trykk på spindellåseknappen og hold den inne.
6. Trekk til borkronen med en egnet fastnøkkel.
7. Slipp deretter spindellåseknappen og fjern fastnøkkelen.

6.7.6 Montere stålborste **11**

1. Fjern batteriet. → Side 59
2. Monter sidehåndtaket. → Side 59
3. Monter standardbeskyttelsesdekslet.
4. Sett på stålborsten, og skru den fast for hånd.
5. Trykk på spindellåseknappen og hold den inne.
6. Trekk til stålborsten med en egnet fastnøkkel.
7. Slipp deretter spindellåseknappen og fjern fastnøkkelen.

6.7.7 Montere fiberskive **12**

1. Fjern batteriet. → Side 59
2. Monter sidehåndtaket. → Side 59
3. Monter standardbeskyttelsesdekslet.
4. Sett på støttetallerkenen og fiberskiven, og skru fast spennmutteren.
5. Trykk på spindellåseknappen og hold den inne.
6. Stram spennmutteren med skrunøkkelen.
7. Slipp deretter spindellåseknappen og fjern spennnøkkelen.



7 Betjening

7.1 Slå på

1. Trykk på bakre del av på/av-bryteren.
2. Skyv av/på-bryteren forover.
 - ↳ Motoren går.
3. Lås av/på-bryteren.

7.2 Sliping

FORSIKTIG

Fare for personskader. Innsatsverktøyet kan plutselige blokkeres eller forkiles.

- ▶ Bruk alltid maskinen med sidehåndtak og hold den fast med begge hender.

7.3 Kapping

- ▶ Ved kapping bør du arbeide med moderat fremføring og ikke holde maskinen eller kappeskiven skjevt (arbeidsposisjon er ca. 90° i forhold til kappeområdet).



Profil og små firkantrør kappes best ved å legge kappeskiven an mot det minste tverrsnittet.

7.4 Sliping

FORSIKTIG

Fare for personskader. Kappeskiven kan bryte, og løsnede deler kan føre til personskader.

- ▶ Bruk aldri kappeskiver til sliping.
- ▶ Beveg maskinen frem og tilbake med en innstillingsvinkel på 5° til 30° og moderat trykk.
 - ↳ Arbeidsømet blir ikke for varmt eller misfarget og du får ingen riller.

7.5 Slå av

- ▶ Trykk på bakre del av på/av-bryteren.
 - ↳ Av/på-bryteren går til av-posisjonen og motoren stopper.

8 Service og vedlikehold

ADVARSEL

Fare for personskader på grunn av isatt batteri !

- ▶ Ta alltid ut batteriet før stell og vedlikeholdsarbeid!

Stell av maskinen

- Fjern gjenstridig smuss forsiktig.
- Fjern støvfilteret, og rengjør det og ventilasjonsslissene forsiktig med en tørr børste.
- Rengjør huset bare med en lett fuktet klut. Ikke bruk silikonholdige pleiemiddel, da dette kan angripe plastdelene.

Stell av Li-Ion-batterier

- Hold batteriet rent og fritt for olje og fett.
- Rengjør huset bare med en lett fuktet klut. Ikke bruk silikonholdige pleiemiddel, da dette kan angripe plastdelene.
- Unngå inntrenging av fuktighet.

Vedlikehold

- Kontroller alle synlige deler regelmessig mht. skade og alle betjeningselementene mht. feilfri funksjon.
- Ved skader og/eller funksjonsfeil må produktet ikke brukes. Få maskinen reparert av **Hilti** service snarest mulig.
- Etter stell- og vedlikeholdsarbeid må alle beskyttelsesinnretninger monteres, og det må foretas funksjonskontroll av dem.





Av hensyn til sikkerheten må du bare bruke originale reservedeler og forbruksmaterialer. Reservedeler, forbruksmaterialer og tilbehør til produktet, som er godkjent av oss, finner du hos **Hilti Store** eller under: **www.hilti.group**.

9 Transport og lagring av batterier

Transport

FORSIKTIG

Utisiktet start under transport !

- ▶ Transporter alltid produktene dine uten batterier!
- ▶ Ta ut batteriene.
- ▶ Ikke transporter batterier upakket.
- ▶ Etter en lengre transport må maskin og batterier kontrolleres med hensyn til skade før bruk.

Lagring

FORSIKTIG

Utisiktet skade på grunn av defekte batterier eller lekkasje fra batterier !

- ▶ Oppbevar alltid produktene dine uten batterier!
- ▶ Oppbevar maskin og batterier mest mulig kaldt og tørt.
- ▶ Batteriene må aldri lagres i solen, på en radiator eller bak glassruter.
- ▶ Oppbevar maskin og batterier utenfor barns og uvedkommendes rekkevidde.
- ▶ Etter lengre tids oppbevaring må maskin og batterier kontrolleres med hensyn til skade før bruk.

10 Feilsøking

Ved feil som ikke står i denne tabellen eller som du selv ikke kan rette opp, må du kontakte **Hilti Service**.

10.1 Feilsøking

Feil	Mulig årsak	Løsning
Batteriet lades ut raskere enn vanlig.	Svært lave omgivelses-temperaturer.	▶ La batteriet varmes langsomt opp til romtemperatur.
Batteriet festes ikke med et hørbart klikk.	Festetappene på batteriet er skitne.	▶ Rengjør festetappene og sett batteriet inn igjen.
1 LED blinker.	Batteriet er utladet.	▶ Skift batteri og lad tomt batteri.
Apparatet fungerer ikke.	Batteriet er for kaldt eller for varmt.	▶ La batteriet varmes langsomt opp til romtemperatur eller avkjøles.
Alle 4 LED-er blinker. Apparatet fungerer ikke.	Maskinen er overbelastet.	▶ Slipp kontrollbryteren og trykk den inn på nytt. La deretter maskinen gå i ca. 30 sekunder på tomgang.
Kraftig varmeutvikling i vinkelsliperen eller batteriet.	Elektrisk defekt	▶ Slå maskinen av umiddelbart, ta ut batteriet, undersøk det, la det avkjøles og kontakt Hilti service .
Maskinen yter ikke maksimalt.	Batteri med for liten kapasitet er satt inn.	▶ Bruk et batteri med tilstrekkelig kapasitet.
Ingen bremsefunksjon for motoren.	Batteriet er utladet.	▶ Skift batteri og lad tomt batteri.
	Maskinen er kortvarig overopphetet.	▶ Slå apparatet av og på igjen.

11 RoHS (direktiv for begrensning av bruk av farlige stoffer)

Under følgende lenke finner du tabellen over farlige stoffer: qr.hilti.com/r9884540.




2233926

Norsk

63

Du finner en lenke til RoHS-tabellen helt til slutt i denne dokumentasjonen som QR-kode.

12 Avhending

 **Hilti**-apparater er i stor grad laget av resirkulerbart materiale. En forskriftsmessig materialsortering er en forutsetning for resirkulering. I mange land tar **Hilti** ditt gamle apparat i retur. Spør **Hilti** kundeservice eller forhandleren din.

Avhending av batterier

Ved ukynndig avhending av batterier kan gasser eller væsker som lekker ut, representere helsefare.

- ▶ Ikke send skadde batterier i posten eller på annen måte!
- ▶ Dekk til kontaktene med et ikke-ledende materiale for å unngå kortslutning.
- ▶ Kasser batterier slik at de er utilgjengelige for barn.
- ▶ Lever inn batteriet i nærmeste **Hilti Store**, eller kontakt et lokalt renovasjonsfirma.



-
- ▶ Kast aldri elektroverktøy, elektronisk utstyr eller batterier i husholdningsavfallet!
-

13 Produsentgaranti

- ▶ Når det gjelder spørsmål om garantibetingelser, ber vi deg kontakte din lokale **Hilti**-partner.



1 Dokumentaation tiedot

1.1 Tästä dokumentaatiosta

- Lue ehdottomasti tämä dokumentaatio ennen tuotteen käyttöönottoa. Se on turvallisen työnteon ja tuotteen ongelmattoman käsittelyn perusedellytys.
- Noudata tässä dokumentaatiossa ja tuotteessa olevia turvallisuus- ja varoitushuomautuksia.
- Säilytä käyttöohje aina tuotteen yhteydessä ja varmista, että käyttöohje on mukana, kun luovutat tuotteen toiselle henkilölle.

1.2 Merkkien selitykset

1.2.1 Varoitushuomautukset

Varoitushuomautukset varoittavat tuotteen käyttöön liittyvistä vaaroista. Seuraavia varoitustekstejä käytetään:

VAKAVA VAARA

VAKAVA VAARA !

- ▶ Varoittaa uhkaavasta vaaratilanteesta, josta voi seurauksena olla vakava loukkaantuminen tai jopa kuolema.

VAARA

VAARA !

- ▶ Varoittaa mahdollisesta vaarasta, josta voi seurauksena olla vakava loukkaantuminen tai kuolema.

VAROITUS

VAROITUS !

- ▶ Varoittaa mahdollisesta vaaratilanteesta, josta voi seurata loukkaantuminen tai aineellinen vahinko.

1.2.2 Symbolit dokumentaatiossa

Tässä dokumentaatiossa käytetään seuraavia symboleita:

	Lue käyttöohje ennen käyttämistä
	Toimintaohjeita ja muuta hyödyllistä tietoa
	Kierrätyskelpoisten materiaalien käsittely
	Älä hävitä sähkölaitteita ja akkuja tavallisen sekajätteen mukana

1.2.3 Symbolit kuvissa

Kuvissa käytetään seuraavia symboleita:

	Nämä numerot viittaavat vastaavaan kuvaan tämän käyttöohjeen alussa
	Numerointi kertoo työvaiheiden järjestyksen kuvissa ja saattaa poiketa numeroinnista tekstissä
	Kohtanumeroita käytetään kuvassa Yleiskuva , ja ne viittaavat kuvatekstien numerointiin kappa- leessa Tuoteyhteenveto
	Tämän merkin tarkoitus on kiinnittää erityinen huomiosi tuotteen käyttöön ja käsittelyyn.

1.3 Tuotekohtaiset symbolit

1.3.1 Symbolit tuotteessa

Tuotteessa käytetään seuraavia symboleita:

	Käytä suojalaseja
--	-------------------



2233926

Suomi

65

n	Nimelliskierrosluku
/min	Kierrosta minuutissa
RPM	Kierrosta minuutissa
Ø	Halkaisija
---	Tasavirta
	Langaton tiedonsiirto
Li-Ion	Litiumioniakku
	Käytettävien Hilti -litiumioniakkujen tyyppisarja. Ota kappaleessa Tarkoituksenmukainen käyttö annetut tiedot huomioon.

1.4 Tuotetiedot

HILTI -tuotteet on tarkoitettu ammattikäyttöön, ja niitä saa käyttää, huoltaa tai korjata vain valtuutettu, koulutettu henkilö. Käyttäjän pitää olla hyvin perillä käyttöön liittyvistä vaaroista. Tuote ja sen varusteet saattavat aiheuttaa vaaratilanteita, jos kokemattomat henkilöt käyttävät tuotetta ohjeiden vastaisesti tai muutoin asiattomasti.

Tyypimerkinnän ja sarjanumeron löydät tyyppikilvestä.

- Kirjoita sarjanumero oheiseen taulukkoon. Tuotteen tiedot tarvitaan, jos esität kysymyksiä myynti- tai huoltoedustajallemme.

Tuotetiedot

Kulmahiomakone	AG 4S-A22
Sukupolvi	01
Sarjanumero	

1.5 Vaatimustenmukaisuusvakuutus

Vakuutamme, että tässä kuvattu tuote täyttää voimassa olevien direktiivien ja standardien vaatimukset. Kuva vaatimustenmukaisuusvakuutuksesta on tämän dokumentaation lopussa.

Tekninen dokumentaatio löytyy tästä:

Hilti Entwicklungsgesellschaft mbH | Zulassung Geräte | Hiltistraße 6 | 86916 Kaufering, DE

2 Turvallisuus

2.1 Turvallisuusohjeet

2.1.1 Sähkötyökaluja koskevat yleiset turvallisuusohjeet

⚠ VAKAVA VAARA Lue kaikki turvallisuus- ja käyttöohjeet, selostukset ja tekniset tiedot, jotka liittyvät tähän sähkötyökaluun. Seuraavien ohjeiden noudattamatta jättäminen saattaa johtaa sähköiskuun, tulipaloon ja/tai vakavaan loukkaantumiseen.

Säilytä kaikki turvallisuus- ja käyttöohjeet huolellisesti vastaisen varalle.

Turvallisuusohjeissa käytetty käsite ”sähkötyökalu” tarkoittaa verkkokäyttöisiä sähkötyökaluja (joissa verkkojohto) ja akkukäyttöisiä sähkötyökaluja (joissa ei verkkojohtoa).

Työpaikan turvallisuus

- **Pidä työskentelyalue siistinä ja hyvin valaistuna.** Työpaikan epäjärjestys ja valaisemattomat työalueet voivat johtaa tapaturmiin.
- **Älä käytä sähkötyökalua räjähdysalttiissa ympäristössä, jossa on syttyvää nestettä, kaasua tai pölyä.** Sähkötyökalut synnyttävät kipinöitä, jotka saattavat sytyttää pölyn tai höyryt.
- **Pidä lapset ja sivulliset loitolla sähkötyökalua käyttäessäsi.** Voit menettää koneen hallinnan huomiosi suuntautuessa muualle.



Sähköturvallisuus

- ▶ **Sähkötyökalun pistokkeen pitää sopia pistorasiaan.** Pistoketta ei saa muuttaa millään tavalla. **Älä käytä pistorasia-adaptoreita suojamaadotettujen sähkötyökalujen yhteydessä.** Alkuperäisessä kunnossa olevat pistokkeet ja sopivat pistorasiat vähentävät sähköiskun vaaraa.
- ▶ **Vältä koskettamasta sähköä johtaviin pintoihin kuten putkiin, pattereihin, liesiin ja jääkaappeihin.** Sähköiskun vaara kasvaa, jos kehosi maadottuu.
- ▶ **Älä aseta sähkötyökalua alttiiksi sateelle tai kosteudelle.** Veden tunkeutuminen sähkötyökalun sisään lisää sähköiskun vaaraa.
- ▶ **Älä kanna tai ripusta sähkötyökalua verkkojohdostaan äläkä vedä pistoketta irti pistorasiasta johdosta vetämällä.** Pidä johto loitolla kuumuudesta, öljystä, terävistä reunoista ja liikkuvista osista. Vahingoittuneet tai toisiinsa kietoutuneet johdot lisäävät sähköiskun vaaraa.
- ▶ **Kun käytät sähkötyökalua ulkona, käytä ainoastaan ulkokäyttöön soveltuvia jatkojohtoja.** Ulkokäyttöön soveltuvan jatkojohdon käyttö pienentää sähköiskun vaaraa.
- ▶ **Jos sähkötyökalua on välttämätöntä käyttää kosteassa ympäristössä, käytä vikavirtasuojakytkintä.** Vikavirtasuojakytkimen käyttö pienentää sähköiskun vaaraa.

Henkilöturvallisuus

- ▶ **Ole valpas, kiinnitä huomiota työskentelyysi ja noudata tervettä järkeä sähkötyökalua käyttäessäsi.** **Älä käytä sähkötyökalua, jos olet väsynyt tai huumeiden, alkoholin tai lääkkeiden vaikutuksen alaisena.** Sähkötyökalua käytettäessä hetkellinenkin varomattomuus saattaa aiheuttaa vakavia vammoja.
- ▶ **Käytä henkilökohtaisia suojarusteita ja aina suojalaseja.** Henkilökohtaiset suojarusteet, kuten hengityssuojain, luistamattomat turvajalkineet, kypärä ja kuulosuojaimet, pienentävät oikein käytettyinä loukkaantumisriskiä sähkötyökalun käyttötilanteesta riippuen.
- ▶ **Varo tahatonta käynnistämistä.** Varmista, että sähkötyökalu on kytketty pois päältä, ennen kuin liität sen verkkovirtaan ja/tai liität siihen akun, otat sen käteesi tai kannat sitä. Jos kannat sähkötyökalua sormi käyttökytkimellä tai liität pistokkeen pistorasiaan käyttökytkimen ollessa käyntiasennossa, altistat itsesi onnettomuuksille.
- ▶ **Poista kaikki säätötyökalut ja ruuvitaltat, ennen kuin käynnistät sähkötyökalun.** Työkalu tai avain, joka sijaitsee koneen pyöriässä osassa, saattaa johtaa loukkaantumiseen.
- ▶ **Vältä vaikeita työskentelyasentoja.** Varmista aina tukeva seisoma-asento ja tasapaino. Siten voit paremmin hallita sähkötyökalua odottamattomissa tilanteissa.
- ▶ **Käytä työohsi soveltuvia vaatteita.** Älä käytä löysiä työvaatteita tai koruja. Pidä hiukset, vaatteet ja kineet loitolla liikkuvista osista. Vältä vaatteet, korut ja pitkät hiukset voivat takertua liikkuviin osiin.
- ▶ **Jos pölynpoisto- ja keräilylaitteita voidaan asentaa, sinun on tarkastettava, että ne on liitetty oikein ja että niitä käytetään oikealla tavalla.** Pölynpoistovarustuksen käyttö vähentää pölyn aiheuttamia vaaroja.
- ▶ **Älä tuudittaudu virheelliseen turvallisuuden tunteeseen äläkä laiminlyö sähkötyökaluja koskevia turvallisuusohjeita silloinkaan, kun mielestäsi jo olet kokenut sähkötyökalun käyttäjä.** Harkitsema- ton ja huolimaton toiminta voi sekunnin murto-osissa johtaa vakaviin loukkaantumisiin.

Sähkötyökalun käyttö ja käsittely

- ▶ **Älä ylikuormita konetta.** Käytä kyseiseen työhön tarkoitettua sähkötyökalua. Sopivaa sähkötyökalua käyttäen työskentelet paremmin ja varmemmin tehoalueella, jolle sähkötyökalu on tarkoitettu.
- ▶ **Älä käytä sähkötyökalua, jonka käyttökytkin ei toimi.** Sähkötyökalu, jota ei enää voida käynnistää ja pysäyttää käyttökytkimellä, on vaarallinen ja se täytyy korjata.
- ▶ **Irrota pistoke pistorasiasta ja/tai irrota akku ennen kuin muutat säätöjä, vaihdat terää tai lisävarusteita ja kun lopetat koneen käyttämisen.** Tämä turvatoimenpide estää sähkötyökalun tahattoman käynnistysriskin.
- ▶ **Säilytä sähkötyökalut poissa lasten ulottuvilta, kun niitä ei käytetä.** Älä anna toisten henkilöiden käyttää konetta, elleivät he ole perehtyneet sen käyttöön ja lukeneet käyttöohjeita. Sähkötyökalut ovat vaarallisia, jos niitä käyttävät kokemattomat henkilöt.
- ▶ **Hoida sähkötyökaluja ja niiden varusteita huolella.** Tarkasta, että liikkuvat osat toimivat moitteettomasti eivätkä ole puristuksissa, ja tarkasta myös, ettei sähkötyökalussa ole murtuneita tai vaurioituneita osia, jotka saattaisivat haitata sen toimintaa. Korjauta vaurioituneet osat ennen koneen käyttämistä. Usein loukkaantumisten ja tapaturmien syyinä on sähkötyökalujen laiminlyöty huolto.
- ▶ **Pidä terät terävinä ja puhtaina.** Huolella hoidetut terät, joiden leikkausreunat ovat teräviä, eivät jumitu herkästi, ja niillä työnteko on kevyempää.
- ▶ **Käytä sähkötyökalua, lisävarusteita ja tarvikkeita, teriä jne. niiden käyttöohjeiden mukaisesti.** Ota tällöin työolosuhteet ja suoritettava työtehtävä huomioon. Sähkötyökalun käyttö muuhun kuin sille tarkoitettuun käyttöön saattaa johtaa vaarallisiin tilanteisiin.



- **Pidä käsikahvat ja tartuntapinnat kuivina, puhtaina, öljyttöminä ja rasvattomina.** Jos käsikahvat tai tartuntapinnat ovat liukkaat, sähkötyökalun turvallinen käyttö ja hallinta voi yllättävissä tilanteissa olla mahdotonta.

Akkukäyttöisen sähkötyökalun käyttö ja käsittely

- **Lataa akku vain valmistajan suositamalla laturilla.** Jos laturi on tarkoitettu vain tietyn akkumallin lataamiseen, palovaara on olemassa, jos laturia käytetään muiden akkujen lataamiseen.
- **Käytä ainoastaan juuri kyseiseen sähkötyökaluun tarkoitettua akkua.** Jonkun muun akun käyttö saattaa johtaa loukkaantumiseen ja tulipaloon.
- **Pidä irrallinen akku loitolla metalliesineistä, kuten paperinliittimistä, kolikoista, avaimista, nauhoista, ruuveista tai muista pienistä metalliesineistä, jotka voivat oikosulkea akun liittimet.** Akun liittimien välinen oikosulku saattaa aiheuttaa palovammoja tai johtaa tulipaloon.
- **Väärästä käytöstä johtuen saattaa akusta vuotaa nestettä, jota ei saa koskettaa. Vältä kosketusta sen kanssa. Tarvittaessa huuhtelee kosketuskohta vedellä. Jos nestettä pääsee silmiin, tarvitaan lisäksi lääkärin apua.** Akusta vuotava neste saattaa aiheuttaa ärsytystä ja palovammoja.
- **Älä käytä akkua, joka on vaurioitunut tai johon on tehty muutoksia.** Vaurioitunut akku tai akku, jota on muutettu, saattaa käyttäytyä yllättävästi ja aiheuttaa tulipalon, räjähdyksen ja vammoja.
- **Varjele akkua avotulelta ja korkeilta lämpötiloilta.** Avotuli tai yli 130 °C:n (265 °F) lämpötila voi aiheuttaa räjähdyksen.
- **Noudata kaikkia akun lataamisesta annettuja ohjeita, ja lataa akku tai akun sisältävä sähkötyökalu aina käyttöohjeessa mainittuja lämpötilarajoja noudattaen.** Akun virheellinen lataaminen tai lataaminen sallitun lämpötila-alueen lämpötiloita noudattamatta saattaa johtaa akun tuhoutumiseen ja aiheuttaa tulipalovaaran.

Huolto

- **Anna koulutettujen ammattihenkilöiden korjata sähkötyökalusi ja hyväksy korjauksiin vain alkupe räisiä varaosia.** Siten varmistat koneen turvallisuuden säilymisen.
- **Älä koskaan yritä huoltaa vaurioitunutta akkua.** Akkujen kaikki huoltotyöt saa suorittaa vain valmistaja tai sen valtuuttama huoltopiste.

2.1.2 Yhteiset turvallisuusohjeet koskien hiontaa, hiontaa hiomapaperilla, harjaterien käyttöä, kiillottamista ja katkaisuhiontaa:

- **Tätä sähkötyökalua on käytettävä hiomakoneena, hiomapaperihiomakoneena, harjauskoneena tai katkaisuhiomakoneena.** Ota huomioon kaikki turvallisuusohjeet, ohjeet, kuvat ja tiedot, jotka saat koneen ja sen käyttöohjeen mukana. Jos et noudata seuraavia ohjeita, saatat saada sähköiskun, aiheuttaa tulipalon ja / tai loukkaantua vakavasti.
- **Tämä sähkötyökalu ei sovellu kiillottamiseen.** Tämän sähkötyökalun käyttäminen muihin työtehtäviin, kuin mihin kone on suunniteltu, saattaa aiheuttaa vaaratilanteita ja loukkaantumisia.
- **Älä käytä lisävarusteita tai tarvikkeita, joita valmistaja ei erityisesti ole suunnitellut ja suositellut tähän sähkötyökaluun.** Vaikka pystyisitkin kiinnittämään lisävarusteen tai tarvikkeen sähkötyökaluusi, kokonaisuus ei välttämättä ole käytön kannalta turvallinen.
- **Koneeseen kiinnitetyn työkaluterän sallitun kierrosluvun pitää olla vähintään yhtä suuri kuin sähkötyökalun ilmoitettu maksimikierrosliku.** Sallittua nopeammin pyörivä työkaluterä saattaa murtua, jolloin sen kappaleita voi sinkoutua vaarallisesti.
- **Työkaluterän ulkohalkaisijan ja vahvuuden pitää vastata sähkötyökalun tiedoissa annettuja mittatietoja.** Mitoitukseltaan vääranlaista työkaluterää ei suojata tai valvota oikein.
- **Kiinnityskierteellisten työkaluterien pitää tarkasti sopia koneen hiomakaran kierteeseen. Jos työkaluterä kiinnitetään laipalla, työkaluterän reiän halkaisijan pitää sopia kiinnityskohdan halkaisijaan laipassa.** Työkaluterät, joita ei saa tarkasti oikein kiinnitettyä sähkötyökaluun, pyöhrivät epätasaisesti, tärisivät voimakkaasti ja saattavat johtaa sähkötyökalun hallinnan menettämiseen.
- **Älä kiinnitä vaurioituneita työkaluteriä. Tarkasta työkaluterän kunto aina ennen käyttämistä; tarkasta esimerkiksi hiomalaikean mahdolliset murtumat ja halkeamat, hiomalautasen murtumat ja kuluneisuus sekä harjaustyökalujen irronneet tai katkenneet harjat.** Jos sähkötyökalu tai siihen tarkoitettu työkaluterä putoaa, tarkasta, ettei vaurioita syntynyt tai käytä ehjää työkaluterää. Kun olet tarkastanut ja kiinnittänyt työkaluterän, pysy itse ja pidä muut henkilöt turvallisen etäällä pyörivästä työkaluterästä ja käytä konetta minuutin ajan huippukierrosluvulla. Vaurioitunut työkaluterä ei yleensä kestä tätä testiaikaa.
- **Käytä henkilökohtaista suojarustustasi. Käytä työtehtävästäsi riippuen kokokasvosuojusta, silmäsuojia tai suojalaseja.** Tarpeen mukaan käytä hengityssuojainta, kuulosuojaimia, suojakäsineitä ja suojaesiliinaa, jotka suojaavat sinua hionta- ja materiaalihiukkasilta. Suojaa silmäsi erilaisissa työtehtävissä sinkoleivilta hiukkasilta ja muruilta. Pöly- ja hengityssuojaimen pitää pystyä suodattamaan työtehtävässä syntyvä pöly. Jos pitemmän aikaa altistut kovalle melulle, kuulosi saattaa vaurioitua.



- ▶ **Ota myös muut ihmiset työpisteesi lähistöllä huomioon. Kaikkien työpisteesi alueelle tulevien henkilöiden pitää käyttää henkilökohtaisia suojavarusteitaan.** Työkappaleesta tai työkaluterästä sinkoavat kappaleet saattavat aiheuttaa vammoja varsinaisen työpisteesi alueen ulkopuolellakin.
- ▶ **Pidä sähkötyökalusta kiinni vain sen eristetyistä kahvapinnoista, jos teet työtä, jossa sähkötyökalun työkaluterä saattaa osua rakenteen sisällä olevaan virtajohtoon.** Jos terä osuu virtajohtoon, koneen metalliosiin saattaa johtua virta, jolloin saatat saada sähköiskun.
- ▶ **Pidä verkkojohto mahdollisimman etäällä pyörivästä työkaluterästä.** Jos menetät koneen hallinnan, terä saattaa osua verkkojohtoon tai tarttua kiinni johonkin tai saatat satuttaa kätesi tai käsivartesi pyörivään työkaluterään.
- ▶ **Älä koskaan laske sähkötyökalua käsistäsi ennen kuin sen työkaluterä on täysin pysähtynyt.** Pyörivä työkaluterä saattaa vaarallisesti osua laskutason pintaan, minkä seurauksena saatat menettää koneen hallinnan.
- ▶ **Älä pidä sähkötyökalua käynnissä, kun kannat sitä.** Vaatteesi saattaisivat osua pyörivään työkaluterään, minkä seurauksena työkaluterä saattaisi leikkautua kehoosi.
- ▶ **Puhdista sähkötyökalusi jäähdytysilmaroot säännöllisin välein.** Moottorin jäähdytyspuhallin imee pölyä koneen kotolon sisään, ja metallipölyyn suuri määrä voi aiheuttaa sähköisen vaaratilanteen.
- ▶ **Älä käytä sähkötyökalua syytävien materiaalien lähellä.** Kipinät saattaisivat syyttää tällaiset materiaalit.
- ▶ **Älä käytä sähkötyökalussa työkaluteriä, jotka vaativat jäähdytystä nesteellä.** Veden tai muun nesteen käyttö jäähdytykseen saattaa aiheuttaa sähköiskun.

Takaisku ja siihen liittyvät turvallisuusohjeet

Takaiskulla tarkoitetaan pyörivän työkaluterän kuten hiomalaikan, hiomalautasen, harjaterän jne. kiinni tarttumisen tai juuttumisen seurauksena tapahtuvan työkaluterän äkillisen pysähtymisen aiheuttamaa koneen äkillistä reaktiota. Sen seurauksena sähkötyökalu liikahtaa juuttumiskohdasta hallitsemattomasti työkaluterän käyttösuuntaan nähden vastakkaiseen suuntaan.

Jos esimerkiksi hiomalaikka tarttuu kiinni tai juuttuu työkappaleeseen, hiomalaikan työkappaleeseen upotettu reuna pureutuu kiinni ja sen seurauksena kone saattaa iskeä takaisin. Hiomalaikka liikahtaa koneen käyttäjää kohti tai hänestä poispäin, riippuen laikan pyörimissuunnasta juuttumiskohdassa. Tällöin hiomalaikka saattaa myös murtua.

Takaisku aiheutuu sähkötyökalun vääristä tai virheellisestä käytämisestä. Sen esiintymistä voit välttää noudattamalla seuraavassa annettuja ohjeita.

- ▶ **Pidä sähkötyökalusta kunnolla kiinni ja pidä kehosi sekä kätesi asennossa, jossa pystyt hyvin vastustamaan takaiskuvoimia. Käytä aina lisäkavaa, jos koneessa sellainen on, jotta pystyt parhaalla mahdollisella tavalla vastustamaan koneen takaiskuvoimia ja reaktiovoimia työn tekemisen ja aloittamisen aikana.** Käyttäjän pitää tuntea takaisku- ja reaktiovoimien aiheuttamat vaarat.
- ▶ **Älä koskaan vie kättäsi pyörivän työkaluterän lähelle.** Työkaluterä saattaisi takaiskutilanteessa osua käteesi.
- ▶ **Pyri pitämään sähkötyökalua siten, että kehosi ei ole sähkötyökalun takaiskun kannalta vaarallisella alueella.** Takaisku liikuttaa sähkötyökalua työstöliikkeen vastakkaiseen suuntaan hiomalaikan juutuessa.
- ▶ **Tee työtä erityisen varovasti reunojen, terävien kulmien jne. lähellä. Varo, ettei työkaluterä pääse iskemään takaisin työkappaleesta poispäin tai tarttumaan kiinni.** Pyörivä työkaluterä pyrkii tarttumaan kiinni kulmien tai terävien reunojen lähellä tai vaurioituessaan. Silloin seurauksena on hallinnan menettäminen tai takaisku.
- ▶ **Älä käytä ketjusahanterää tai hammastettua sahanterää.** Tällaiset työkaluterät aiheuttavat usein takaiskuja tai sähkötyökalun hallinnan menettämisen.

Eriytyiset turvallisuusohjeet koskien hiontaa ja katkaisuhiontaa:

- ▶ **Käytä ainoastaan sähkötyökaluasi tarkoitettuja hiomatyökaluja ja näille hiomatyökaluille tarkoitettua teräsuojusta.** Hiomatyökalut, joita ei ole tarkoitettu tähän sähkötyökaluun, ovat riittämättömästi suojattuja ja käytössä epävarmoja.
- ▶ **Taivutettu hiomalaikka on kiinnitettävä siten, että laikan hiomapinta-ala ei ulotu teräsuojuksen reunatason yli.** Virheellisesti kiinnitetty hiomalaikka, joka ulottuu teräsuojuksen reunatason yli, ei ole riittävästi suojattu.
- ▶ **Teräsuojus pitää kiinnittää sähkötyökaluun ja säätää siten, että turvallisuus on paras mahdollinen, ts. siten, että mahdollisimman pieni osa hiomatyökalusta on näkyvässä käyttäjän suuntaan.** Teräsuojuksen tehtävä on suojata käyttäjää sinkoilevilta kappaleilta, estää hiomatyökalun koskettaminen vahingossa ja suojata kipinöiltä, jotka saattaisivat esimerkiksi syyttää vaatteet.
- ▶ **Hiomatyökaluja saa käyttää vain niiden suositeltuihin käyttötarkoituksiin.** Esimerkiksi: Älä koskaan käytä katkaisulaikan kylkipintaa hiomiseen. Katkaisulaikat on tarkoitettu materiaalin leikkaamiseen laikan kehäpinnalla. Jos laikkaan vaikuttaa sivusuuntainen voima, siitä saattaa irrota hioma-ainepalasia.



- ▶ **Käytä aina ehjää, oikean kokoista ja oikean muotoista kiinnityslaippaa valitsemasi hiomalaikan kiinnittämiseen.** Kunnolla sopivat laipat tukevat hiomalaiikkaa ja vähentävät siten laikkapalasten irtoamisvaaraa. Katkaisulaikkojen laipat voivat olla erilaiset kuin muiden hiomalaikkojen laipat.
- ▶ **Älä käytä suurempien sähkötyökalujen kuluneita hiomalaikkoja.** Suurempien sähkötyökalujen hiomalaikkoja ei ole suunniteltu pienempien sähkötyökalujen suuremmille kierrosluvuille, joten tällaiset laikat saattavat murtua.

Lisää erityisiä turvallisuusohjeita koskien katkaisuhiontaa:

- ▶ **Vältä katkaisulaikan juuttumista tai liian suurta laikkaan kohdistuvaa painamisvoimaa. Älä leikkaa turhan syvästä.** Katkaisulaikan ylikuormittaminen lisää laikkaan kohdistuvaa rasitusta sekä laikan herkkyyttä kantata tai juuttua ja siten takaiskun vaaraa tai laikan murtumisen vaaraa.
- ▶ **Varo aluetta pyörivän katkaisulaikan etu- ja takapuolella.** Jos katkaisulaikka liikkuu itsestään työkappaleesta pois päin, pyörivä terä saattaa osua sinuun sähkötyökalun iskiessä takaisin.
- ▶ **Jos katkaisulaikka tarttuu kiinni tai keskeytät työnteon, kytke kone pois päältä ja odota, kunnes laikka on kokonaan pysähtynyt. Älä koskaan yritä nostaa katkaisulaikkaa pois leikkausraosta, sillä muutoin kone saattaa iskeä takaisin.** Määritä ja poista kiinni tarttumisen syy.
- ▶ **Älä kytke sähkötyökalua päälle, jos sen terä on työkappaleessa. Anna katkaisulaikan ensin saavuttaa täysi kierroslukunsa, ennen kuin varovasti jatkat leikkaamista.** Muutoin laikka saattaa kantata, ponnahtaa työkappaleesta tai aiheuttaa takaiskun.
- ▶ **Tue levyt tai suuremmat työkappaleet hyvin, jotta katkaisulaikan mahdollisen kiinni tarttumisen aiheuttama takaiskuvaaara vähenee.** Suuremmat työkappaleet saattavat oman painonsa vuoksi taipua. Työkappaleella on siksi tuettava molemmilta sivuilta ja katkaisukohdan sekä reunan läheltä.
- ▶ **Ole erityisen varovainen upottaessasi terästä seinään tai muuhun kohteeseen, jonka rakennetta et näe tarkasti.** Kun upotat katkaisulaikkaa, rakenteen sisällä olevat kaasu- tai vesiputket, sähköjohdot tai muut esineet saattavat aiheuttaa takaiskun.

Erityisiä turvallisuusohjeita koskien hiontaa hiomapaperilla:

- ▶ **Älä käytä ylikokoisia hiomalaikkoja, vaan noudata valmistajan hiomalaikan koosta antamia ohjeita.** Hiomalautasen yli ulottuvat hiomalaikat voivat aiheuttaa loukkaantumisia tai johtaa koneen jumittumiseen, hiomalaikan murtumiseen tai koneen takaiskuun.

Erityisiä turvallisuusohjeita koskien harjaterien käyttöä:

- ▶ **Ota huomioon, että harjateristä irtoaa normaalin käytön aikana harjakappaleita. Älä ylikuormita harjateriä liian suurella painamisvoimalla.** Irti sinkoutuvat harjakappaleet voivat erittäin helposti tunkeutua ohuiden vaatekappaleiden ja / tai ihon läpi.
- ▶ **Jos teräsuojuksen käyttöä on suositeltu, varmista, ettei teräsuojus ota kiinni harjaterään.** Lautas- ja kuppiharjaterien halkaisija voi suurentua koneen painamisvoiman ja keskipakovoimien seurauksena.

2.1.3 Muut turvallisuusohjeet

Henkilöturvallisuus

- ▶ Käytä vain tuotetta, joka on teknisesti moitteettomassa kunnossa.
- ▶ Älä koskaan tee koneeseen minkäänlaisia muutoksia.
- ▶ Varo, ettet koske pyöriviin osiin - loukkaantumisvaara!
- ▶ Käytä työkaluterän vaihdossa suojakäsineitä. Työkaluterän koskettaminen saattaa aiheuttaa haavoja ja palovammoja.
- ▶ Selvitä työssä syntyvän pölyn vaarallisuus ennen työn aloittamista. Käytä rakennustyömaakäyttöön hyväksyttyä pölynimuria, joka täyttää viralliset pölysuojaluokitusmääräykset. Tiettyjen materiaalien kuten liijypitoisen maalin, joidenkin puulajien, kvartsia sisältävän betonin / muurauksen / kivityksen ja mineraalien sekä metallien pölyt voivat olla terveydelle vaarallisia.
- ▶ Varmista työpiSTEEN hyvä tuuletus ja tarvittaessa käytä hengityssuojainta, joka soveltuu kyseessä olevalla pölyllä. Pölyjen ihokosketus tai hengittäminen saattaa aiheuttaa allergisia reaktioita ja/tai hengitystiesairauksia koneen käyttäjälle tai lähellä oleville henkilöille. Tietty pölyt kuten tammen tai pyökin pöly on luokiteltu syöpää aiheuttaviksi, erityisesti jos niihin liittyy puunkäsittelyn lisäaineita (kromaatti, puunsuoja-aineet). Asbestia sisältäviä materiaaleja saavat työstää vain erikoiskoulutetut henkilöt.
- ▶ Pidä työssäsi taukoja, joiden aikana tee sormivoimisteluliikkeitä varmistaaksesi sormiesi hyvän verenkierron. Pitempään jatkuva työnteko saattaa tärinän vuoksi aiheuttaa verenkiertohäiriöitä tai sormien, käsien ja ranteiden hermokipuja.

Sähköturvallisuus

- ▶ Tarkasta ennen työn aloittamista, onko työskentelyalueella rakenteiden sisälle asennettuja sähköjohtoja tai kaasu- ja vesiputkia. Koneen ulkopinnan metalliosista saatat saada sähköiskun, jos vahingossa osut sähköjohtoon.



Sähkötyökalujen käyttö ja hoito

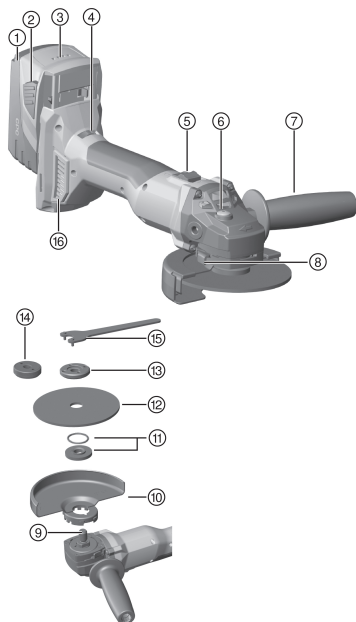
- ▶ Älä koskaan käytä katkaisulaikkoja hiomiseen.
- ▶ Kiristä työkaluterä ja laippa kunnolla kiinni. Jos työkaluterä ja laippa eivät ole kunnolla kiinni kiristetyt, työkaluterä saattaa irrota karasta koneen moottorin jarruttaessa.
- ▶ Noudata valmistajan antamia ohjeita koskien hiomalaikkojen käsittelyä ja säilyttämistä.

2.1.4 Akkujen käyttö ja hoito

- ▶ Ota litiumioniakkujen kuljettamisesta, varastoinnista ja käyttämisestä annetut erityisohjeet huomioon.
- ▶ Suojaa akut korkeilta lämpötiloilta, suoralta auringonpaisteelta ja avotulelta.
- ▶ Akkuja ei saa avata, puristaa, kuumentaa yli 80 °C:n lämpötilaan tai polttaa.
- ▶ Älä käytä tai lataa akkua, joka on saanut iskun, joka on pudonnut yli metrin korkeudelta tai joka on muulla tavoin vaurioitunut. Tällaisessa tapauksessa ota aina yhteys **Hilti -huoltoon**.
- ▶ Jos akku on liian kuuma koskea, se saattaa olla vaurioitunut. Aseta tuote riittävän etäälle syttyvistä materiaaleista palovaarattomaan paikkaan, jossa voit valvoa tuotetta, ja anna sen jäähtyä. Tällaisessa tapauksessa ota aina yhteys **Hilti -huoltoon**.

3 Kuvas

3.1 Tuoteyhteenvedo



- ① Akku
- ② Akun lukituksen vapautuspainike
- ③ Lataustilan näyttö
- ④ Nopeuden säätö
- ⑤ Käyttökytkin
- ⑥ Karan lukituspainike
- ⑦ Sivukahva
- ⑧ Teräsuojuksen vapautuspainike
- ⑨ Kara
- ⑩ Vakiomallinen teräsuojus
- ⑪ Kiinnityslaippa ja O-rengas
- ⑫ Katkaisulaikka / karhennuslaikka
- ⑬ Kiinnitysmutteri
- ⑭ **Kwik lock** -pikakiinnitysmutteri (lisävaruste)
- ⑮ Kiintoavain
- ⑯ Pölysuodatin

3.2 Tarkoituksenmukainen käyttö

Kuvattu tuote on käsiohjattava akkukäyttöinen kulmahiomakone. Se on tarkoitettu metalli- ja mineraalimateriaalien katkaisemiseen ja karhentamiseen, harjaamiseen ja hiekkapaperihiontaan sekä laattojen poraamiseen vettä käyttämättä. Sitä saa käyttää ainoastaan kuivahiontaan ja -katkaisuhiontaan.

- Mineraalimateriaalien katkaisuhionta, leikkaaminen ja karhentaminen on sallittua vain käytettäessä tarkoituksenmukaista teräsuojusta (saatavana lisävarusteena).
- Suositamme, että käytät mineraalimateriaalien kuten betonin tai kiven työstössä aina pölynpoistosuojusta, joka on sovitettu soveltuvaan **Hilti**-imuriin.
- ▶ Käytä tämän tuotteen yhteydessä vain B 22 -tyyppisarjan **Hilti**-litiumioniakkuja.



2233926

Suomi

71

- Käytä tämän akun yhteydessä vain C4/36-sarjan **Hilti**-latureita.

3.3 Toimituksen sisältö

Kulmahiomakone, sivukahva, vakiomallinen teräsuojus, etupään suojus, kiinnityslaippa, kiinnitysmutteri, kiintoavain, pölysuodatin, käyttöohje.

Muita tälle tuotteelle hyväksytyjä järjestelmätuotteita löydät **Hilti Store** -liikkeestä tai nettiosoitteesta: www.hilti.group.

3.4 ATC

Koneessa on elektroninen pikapoiskytkentä ATC (Active Torque Control).

Jos työkaluterä juuttuu tai takertelee, kone saattaa yhtäkkiä ja hallitsemattomasti pyörähtää päinvastaiseen suuntaan. ATC tunnistaa koneen tämän äkillisen pyörähdysliikkeen ja kytkee koneen heti pois päältä.



Jotta kone voi toimia moitteettomasti, sen on pystyttävä kääntymään.

Pikapoiskytkennän tapahduttua kytke kone pois päältä ja takaisin päälle.

3.5 Ylikuumenemissuoja

Moottorin ylikuumenemissuoja valvoo virrankulutusta ja moottorin lämpötilaa ja estää mahdolliset ylikuumenemisvauriot.

Jos moottori ylikuormittuu konetta liian voimakkaasti painettaessa, koneen teho heikkenee huomattavasti tai kone saattaa pysähtyä.

Jos kone pysähtyy tai sen kierrosluku laskee ylikuormituksen vuoksi, nosta laikka irti työkappaleesta ja käytä konetta joutokäyntikierrosluvulla noin 30 sekunnin ajan.

3.6 Teräsuojus jossa etupään suojus 2

Jos karhennat metallimateriaaleja suorilla karhennuslaikoilla ja katkaiset metallimateriaaleja katkaisulaikoilla, käytä koneessa vakiomallista teräsuojusta ja etupään suojusta.

3.7 Pölynpoistosuojus (katkaisemiseen) DC-EX 125/5" C Kompaktisuojaus (lisävaruste) 3

Jos teet mineraalimateriaalien katkaisuhiontaa timanttikatkaisulaikoja käyttäen, käytä kompaktisuojusta DC-EX 125/5" C.

Metallin työstäminen tätä suojusta käyttäen on kielletty.

3.8 Pölynpoistosuojus (leikkaamiseen) DC-EX 125/5" M (lisävaruste) 4

Mineraalimateriaalien katkaisuhionta- ja leikkaustöitä timanttikatkaisulaikoilla saa tehdä vain pölynpoistosuojusta käytettäessä.

VAROITUS Metallin työstäminen tätä suojusta käyttäen on kielletty.

3.9 Pölynpoistosuojus (hiontaan) DG-EX 125/5" (lisävaruste) 5

Hiomakonetta saa käyttää vain satunnaisesti kivimateriaalien hiontaan timanttikuppilaikalla.

Metallin työstäminen tätä suojusta käyttäen on kielletty.

3.10 Litiumioniakun lataustilan näyttö

Litiumioniakun lataustila näytetään, kun jompaakumpaa akun lukituksen vapautuspainikkeista painetaan kevyesti.

Tila	Merkitys
4 LED-merkkivaloa palaa.	Lataustila: 75 % ... 100 %
3 LED-merkkivaloa palaa.	Lataustila: 50 % ... 75 %
2 LED-merkkivaloa palaa.	Lataustila: 25 % ... 50 %
1 LED-merkkivalo palaa.	Lataustila: 10 % ... 25 %
1 LED-merkkivalo vilkkuu.	Lataustila: < 10 %





Lataustilan tarkastaminen koneen käytön aikana tai välittömästi käyttämisen jälkeen ei ole mahdollista. Jos akun lataustilan LED-merkkivalot vilkkuvat, ota huomioon ohjeet kappaleessa Apua häiriötilanteisiin.

4 Käyttömateriaali

Koneessa saa käyttää vain keinohartsisidonnaisia kuituvahvisteisia katkaisulaikkoja, joiden max. Ø on 125 mm ja jotka on hyväksytty vähintään kierrosluvulle 11000/min ja kehänopeudelle 80 m/s.

Laikan paksuus saa karhennushiontatöissä olla max. 6,4 mm ja katkaisuhionnassa max. 3,0 mm.

HUOMIO! Katkaisulaikoilla katkaistaessa ja leikattaessa koneessa on aina käytettävä etupään suoja-levyllistä vakiomallista teräsuojusta tai täysin suljettua pölynpoistosuojusta.

Laikat

Tyyppi	Käyttökohde	Lyhenn nimi	Alusta
Abrasiiv-katkaisulaikka	Katkaisuhionta, leikkaaminen	AC-D	metallinen
Timanttikatkaisulaikka	Katkaisuhionta, leikkaaminen	DC-TP, DC-D (SPX, SP, P)	mineraalinen
Abrasiiv-karhennuslaikka	Karhennushionta	AG-D, AF-D, AN-D	metallinen
Timanttikarhennuslaikka	Karhennushionta	DG-CW (SPX, SP, P)	mineraalinen
Lankaharja	Lankaharjat	3CS, 4CS, 3SS, 4SS	metallinen
Timanttiporakruunu	Laattaporaus	DD-M14	mineraalinen
Kuitulaikka	Karhennushionta	AP-D	metallinen

Laikan ja käytettävän varustuksen kohdistus

Kohta	Varustus	AC-D	AG-D, AF-D, AN-D	DG-CW (SPX, SP, P)	DC-TP, DC-D (SPX, SP, P)	AP-D	3CS, 4CS, 3SS, 4SS, DD-M14
A	Teräsuojus	X	X	X	X	X	X
B	Etupään suojus (A:n yhteydessä)	X	—	—	X	—	—
C	Pölynpoistosuojus (hiontaan) DG-EX 125/5"	—	—	X	—	—	—
D	Pölynpoistosuojus (katkaisemiseen) DC-EX 125/5"C (A:n yhteydessä)	—	—	—	X	—	—
E	Pölynpoistosuojus (leikkaamiseen) DC-EX 125/5"M	—	—	—	X	—	—
F	Adapteri DC-EX SL (E:n yhteydessä)	—	—	—	X	—	—
G	Sivukahva	X	X	X	X	X	X
H	Kiinnitysmutteri	X	X	X	X	—	—
I	Kiinnityslaippa	X	X	X	X	—	—
J	Kwik lock (lisävaruste H:lle)	X	X	—	X	—	—
K	Kuitulaikan kiinnitysmutteri	—	—	—	—	X	—
L	Tukilautanen	—	—	—	—	X	—



5 Tekniset tiedot

	AG 4S-A22-125
Nimellisjännite	21,6 V
Nimelliskierrosuku	8 500/min
Laikan maksimihalkaisija	125 mm
Paino EPTA 01 mukaan	3,1 kg
Karan kierre	M14
Karan pituus	22 mm
Ympäristön lämpötila käytettäessä	-17 °C ... 60 °C
Varastointilämpötila	-20 °C ... 70 °C

5.1 Tekniset tiedot

Karan pituus	22 mm
Ympäristön lämpötila käytettäessä	-17 °C ... 60 °C
Varastointilämpötila	-20 °C ... 70 °C

5.2 Akku

Akkutoimintajännite	21,6 V
Ympäristön lämpötila käytettäessä	-17 °C ... 60 °C
Varastointilämpötila	-20 °C ... 40 °C
Akun lämpötila lataamisen alkaessa	-10 °C ... 45 °C

5.3 Melutiedot ja tärinäarvot EN 60745 mukaan

Tässä käyttöohjeessa annetut äänenpaine- ja tärinäarvot on mitattu standardoitujen mittausmenetelmien mukaisesti, ja näitä arvoja voidaan käyttää sähkötyökalujen vertailussa. Ne soveltuvat myös altistumisten tilapäiseen arviointiin.

Annetut arvot koskevat sähkötyökalun pääasiallisia käyttötarkoituksia. Jos sähkötyökalua kuitenkin käytetään muihin tarkoituksiin, poikkeavia työkaluja tai teriä käyttäen tai puutteellisesti huollettuna, arvot voivat poiketa tässä ilmoitetuista. Tämä saattaa merkittävästi lisätä altistumista koko työskentelyajan aikana.

Altistumisia tarkasti arvioitaessa on otettava huomioon myös ne ajat, jolloin kone on kytketty pois päältä tai jolloin kone on päällä, mutta sillä ei tehdä varsinaista työtä. Tämä saattaa merkittävästi vähentää altistumista koko työskentelyajan aikana.

Käyttäjän suojaamiseksi melun ja/tai tärinän vaikutukselta ryhdy tarpeellisiin turvatoimenpiteisiin kuten: Sähkötyökalun ja siihen kiinnitettävien työkalujen huolto, käsien lämpimänä pitäminen, työtehtävien organisointi.

AG 4S-A22-125

Meluarvot

Melupäästön äänenpainetaso (L_{pA})	81,5 dB(A)
Äänenpainetason epävarmuus (K_{pA})	3 dB(A)
Äänitehotaso (L_{WA})	92,5 dB(A)
Äänitehotason epävarmuus (K_{WA})	3 dB(A)

Tärinäarvot

Muut käytötavat kuten katkaiseminen saattavat aiheuttaa tästä poikkeavia tärinäarvoja.

Pintahionta tärinävaimennettua kahvaa käyttäen ($a_{h,AG}$)	4,7 m/s ²
Hiomapaperihionta tärinävaimennettua kahvaa käyttäen ($a_{h,DS}$)	5,3 m/s ²
Epävarmuus (K)	1,5 m/s ²



6 Käyttöönotto

6.1 Akun lataus

1. Ennen lataamista lue laturin käyttöohje.
2. Varmista, että liittimet akussa ja laturissa ovat puhtaat ja kuivat.
3. Lataa akku hyväksytyllä laturilla.

6.2 Akun kiinnitys

VAROITUS

Loukkaantumiswaara akun oikosulun tai putoamisen seurauksena!

- ▶ Ennen akun paikalleen laittamista varmista, ettei akun liittimissä akussa ja tuotteessa ole vieraita esineitä.
- ▶ Varmista, että akku aina lukittuu kunnolla paikalleen.

1. Lataa akku täyteen ennen ensimmäistä käyttökertaa.
2. Aseta akku kiinnikkeeseen koneessa siten, että akku kuultavasti lukittuu.
3. Tarkasta, että akku on kunnolla kiinni.

6.3 Akun irrotus

1. Paina akun lukituksen vapautuspainikkeita.
2. Vedä akku irti kiinnikkeestään koneessa.

6.4 Sivukahvan kiinnitys

- ▶ Kiinnitä sivukahva yhteen koneessa olevista kierreholkeista.

6.5 Teräsuojuksen kiinnitys ja irrotus

VAROITUS

Loukkaantumiswaara. Työkalu voi olla kuuma tai teräväreunainen.

- ▶ Käytä suojakäsineitä, kun kiinnität tai irrotat osia, teet säätöjä tai korjaat toimintahäiriöitä.
- ▶ Noudata kyseisen suojuksen kiinnitysohjetta.

6.5.1 Vakiomallisen teräsuojuksen kiinnitys



Teräsuojuksessa on ohjausnastat, joten koneeseen voidaan kiinnittää vain siihen sopiva suojus. Teräsuojus liikkuu ohjausnastojensa varassa koneessa olevassa suojuksen kiinnityksessä.

1. Sovita teräsuojus karan kaulukselle siten, että koneen ja suojuksen kolmiomerkit ovat kohdakkain.
2. Paina teräsuojus karan kaulukseen.
3. Paina teräsuojuksen lukituksen vapautuspainiketta ja käännä suojus haluamaasi asentoon siten, että suojus lukittuu paikalleen.
 - ↳ Teräsuojuksen vapautuspainike ponnahtaa taakse.

6.5.2 Vakiomallisen teräsuojuksen säätö

- ▶ Paina teräsuojuksen lukituksen vapautuspainiketta ja käännä suojus haluamaasi asentoon siten, että suojus lukittuu paikalleen.

6.5.3 Vakiomallisen teräsuojuksen irrotus

1. Paina teräsuojuksen vapautuspainiketta ja käännä suojusta siten, että siinä ja koneessa olevat kaksi kolmiomerkkiä ovat kohdakkain.
2. Ota teräsuojus pois.

6.6 Etupään suojuksen kiinnitys ja irrotus



Jos käytetään etupään suojusta, se kiinnitetään teräsuojukseen.



1. Aseta etupään suojus suljettu puoli edellä vakiomalliseen teräsuojukseen siten, että etupään suojus lukittuu paikalleen.
2. Irrota etupään suojus avaamalla sen lukitus ja vedä se irti vakiomallisesta teräsuojuksesta.

6.7 Työkaluterien kiinnitys ja irrotus

VAARA

Loukkaantumisvaara. Työkaluterä saattaa irrota koneen moottorin jarruttaessa.

- ▶ Odota, kunnes työkaluterä on pysähtynyt, ennen kuin kosket työkaluterään tai kiristysmutteriin.
- ▶ Kiristä työkaluterä ja kiristyslaippa kiristysmutterilla niin tiukalle, että laitteen moottorin jarruttaessa karasta ei pääse irtoamaan mitään osia.

VAROITUS

Loukkaantumisvaara. Työkaluterä saattaa olla kuuma.

- ▶ Käytä suojakäsineitä, kun vaihdat työkaluterää.



Timanttilaikka on vaihdettava, jos sen katkaisu- tai hiontateho on huomattavasti heikentynyt. Yleensä näin on, kun timanttisegmenttien korkeus on kulunut alle 2 mm:iin.

Muun tyyppiset laikat on vaihdettava, jos niiden katkaisuteho on huomattavasti heikentynyt tai jos kulmahiomakoneen osat (laikkaa lukuun ottamatta) työtä tehtäessä koskettavat katkaistavaa materiaalia.

Abrasiv-katkaisulaikat on vaihdettava laikan viimeisen käyttöpäivän ylityttyä.

6.7.1 Työkalun kiinnitys

1. Irrota akku. → Sivu 75
2. Tarkasta, että kiristyslaipassa on O-rengas ja että O-rengas on vaurioton.

Tulos

O-rengas on vaurioitunut.

Kiristyslaipassa ei ole O-rengasta.

- ▶ Aseta uusi kiristyslaippa O-renkaineen paikalleen.
3. Aseta kiristyslaippa muotosulkeisesti karaan ja varmista, ettei laippa pääse kiertymään.
 4. Aseta laikka paikalleen.
 5. Kiristä kiinnitysmutteri käytettävän työkaluterän mukaisesti kiinni.
 6. Paina karan lukituspainiketta ja pidä se painettuna.
 7. Kiristä kiinnitysmutteri kiintoavaimella kiinni, vapauta sitten karan lukituspainike ja poista kiintoavain.

6.7.2 Työkalun irrotus

1. Irrota akku. → Sivu 75

VAROITUS

Murtumis- ja rikkoontumisvaara. Jos karalukituksen painiketta painetaan karan pyöriessä, työkaluterä voi irrota.

- ▶ Paina karalukituksen painiketta vain, kun kara ei pyöri.
2. Paina karan lukituspainiketta ja pidä se painettuna.
 3. Irrota kiinnitysmutteri kiinnittämällä siihen kiintoavain ja sitten vastapäivään kiertäen.
 4. Vapauta karajarrun painike ja ota työkaluterä pois.

6.7.3 Työkaluterän kiinnitys **Kwik lock** -pikakiinnitysmutterilla

VAROITUS

Murtumavaara. Liian suuri kulutus saattaa saada **Kwik lock** -pikakiinnitysmutterin murtumaan.

- ▶ Työtä tehdessäsi varmista, ettei **Kwik lock** -pikakiinnitysmutteri kosketa työstettävään pintaan.
- ▶ Älä käytä vaurioitunutta **Kwik lock** -pikakiinnitysmutteria.



Kiinnitysmutterin sijasta voidaan vaihtoehtoisesti käyttää **Kwik lock** -pikakiinnitysmutteria. Silloin työkaluterän vaihdossa ei tarvita muita työkaluja.



1. Irrota akku. → Sivu 75
2. Tarkasta, onko kiinnityslaipassa O-rengas ja että O-rengas on vaurioton.

Tulos

O-rengas on vaurioitunut.

Kiinnityslaipassa ei ole O-rengasta.

- ▶ Aseta uusi kiinnityslaippa O-renkaiseen paikalleen.
3. Puhdista kiinnityslaippa ja pikakiinnitysmutteri.
 4. Aseta kiinnityslaippa karaan.
 5. Aseta työkaluterä paikalleen.
 6. Kierrä **Kwik lock** -pikakiinnitysmutteri paikalleen siten, että se on työkaluterää vasten.
 - ↳ Teksti **Kwik lock** on näkyvässä, kun mutteri on paikallaan.
 7. Paina karan lukituspainiketta ja pidä se painettuna.
 8. Kierrä työkaluterää voimakkaasti käsin myötäpäivään, kunnes **Kwik lock** -pikakiinnitysmutteri on tiukasti kiinni, ja vapauta sitten karan lukituspainike.

6.7.4 **Kwik lock** -pikakiinnitysmutterilla kiinnitetyn työkaluterän irrotus

1. Irrota akku. → Sivu 75

VAROITUS

Murtumis- ja rikkoontumisvaara. Jos karalukituksen painiketta painetaan karan pyöriessä, työkaluterä voi irrota.

- ▶ Paina karalukituksen painiketta vain, kun kara ei pyöri.
-
2. Paina karan lukituspainiketta ja pidä se painettuna.
 3. Irrota **Kwik lock** -pikakiinnitysmutteri kiertämällä sitä käsin vastapäivään.
 4. Jos **Kwik lock** -pikakiinnitysmutteria ei saa irrotettua käsin, aseta kiintoavain pikakiinnitysmutteriin ja kierrä mutteria vastapäivään.



Älä koskaan käytä putkipihtejä, jotta **Kwik lock** -pikakiinnitysmutteri ei vaurioidu.

5. Vapauta karajarrun painike ja ota työkaluterä pois.

6.7.5 Porakruunun kiinnitys **10**

1. Irrota akku. → Sivu 75
2. Kiinnitä sivukahva. → Sivu 75
3. Kiinnitä vakiomallinen teräsuojus.
4. Aseta porakruunu paikalleen ja kiristä se kiinni käsitiukkuuteen.
5. Paina karan lukituspainiketta ja pidä se painettuna.
6. Kiristä porakruunu sopivalla kiintoavaimella kiinni.
7. Vapauta karajarrun painike ja ota kiintoavain pois.

6.7.6 Lankaharjan kiinnitys **11**

1. Irrota akku. → Sivu 75
2. Kiinnitä sivukahva. → Sivu 75
3. Kiinnitä vakiomallinen teräsuojus.
4. Aseta lankaharja paikalleen ja kiristä se kiinni käsitiukkuuteen.
5. Paina karan lukituspainiketta ja pidä se painettuna.
6. Kiristä lankaharja kiinni sopivalla kiintoavaimella.
7. Vapauta karajarrun painike ja ota kiintoavain pois.

6.7.7 Kuitulaikan kiinnitys **12**

1. Irrota akku. → Sivu 75
2. Kiinnitä sivukahva. → Sivu 75
3. Kiinnitä vakiomallinen teräsuojus.
4. Aseta tukilautanen ja kuitulaikka paikalleen ja kierrä kiristä kiinnitysmutteri kiinni.
5. Paina karan lukituspainiketta ja pidä se painettuna.
6. Kiristä kiinnitysmutteri kiintoavaimella kiinni.
7. Vapauta sitten karajarrun painike ja ota kiintoavain pois.



7 Käyttö

7.1 Kytkeminen päälle

1. Paina käyttökytkimen takaosaa.
2. Työnnä käyttökytkintä eteenpäin.
 - ↳ Moottori pyörii.
3. Lukitse käyttökytkin.

7.2 Hionta

VAROITUS

Loukkaantumisvaara. Työkaluterä voi jumittua tai takertua äkillisesti.

- ▶ Käytä koneessa sivukahvaa ja pidä koneesta aina molemmin käsin lujasti kiinni.

7.3 Katkaisuhionta

- ▶ Katkaisuhionnassa käytä kohtuullista syöttöä; älä kantaa konetta tai katkaisulaikkaa (pidä kone noin 90° kulmassa katkaistavaan pintaan nähden).



Profiilit ja pienet nelikulmaputket kannattaa katkaista kohdistamalla katkaisulaikka kapeimpaan kohtaan.

7.4 Karhennushionta

VAROITUS

Loukkaantumisvaara. Katkaisulaikka voi haljeta ja sinkoilevat osat voivat aiheuttaa loukkaantumisia.

- ▶ Älä koskaan käytä katkaisulaikkoja karhennushiontaan.
- ▶ Liikuta konetta työstökulmalla 5–30° edestakaisin keskimääräisellä voimalla painaen.
 - ↳ Työkappale ei kuumene liikaa tai värjäänny eikä siihen synny uria.

7.5 Kytkeminen pois päältä

- ▶ Paina käyttökytkimen takaosaa.
 - ↳ Käyttökytkin ponnahtaa pois päältä -asentoon ja moottori pysähtyy.

8 Huolto, hoito ja kunnossapito

VAARA

Loukkaantumisvaara jos akku paikallaan !

- ▶ Irrota akku aina ennen hoito- ja kunnostustöitä!

Koneen hoito

- Poista pinttynyt lika varovasti.
- Irrota pölysuodatin ja puhdista se sekä jäähdytysilmaraot varovasti kuivalla harjalla.
- Käytä kotelon puhdistamiseen vain kevyesti kostutettua kangasta. Älä käytä silikonia sisältäviä hoitoaineita, sillä ne voivat vaurioittaa muoviosia.

Litiumioniakkujen hoito

- Pidä akku puhtaana, öljyttömänä ja rasvattomana.
- Käytä kotelon puhdistamiseen vain kevyesti kostutettua kangasta. Älä käytä silikonia sisältäviä hoitoaineita, sillä ne voivat vaurioittaa muoviosia.
- Varo, ettei kosteutta pääse tunkeutumaan sisään.

Kunnossapito

- Tarkasta säännöllisin välein kaikkien näkyvien osien mahdolliset vauriot ja käyttöelementtien moitteeton toiminta.
- Jos havaitset vaurioita ja / tai toteat toimintahäiriöitä, älä käytä tuotetta. Korjauta heti **Hilti**-huollossa.
- Hoito- ja kunnostustöiden jälkeen kiinnitä kaikki suojalaitteet ja tarkasta niiden toiminta.





Käyttöturvallisuuden varmistamiseksi käytä vain alkuperäisiä varaosia ja käyttömateriaaleja. Tälle tuotteelle hyväksytyjä varaosia, kulutusmateriaaleja ja lisävarusteita löydät **Hilti Store** -liikkeestä tai osoitteesta: www.hilti.group.

9 Akukäyttöisten koneiden kuljetus ja varastointi

Kuljettaminen

VAROITUS

Käynnistyminen vahingossa kuljetuksen aikana !

- ▶ Kuljeta tuotteesi aina akku irrotettuna!
- ▶ Irrota akut.
- ▶ Älä koskaan kuljeta akkuja irrallaan muiden tavaroiden joukossa.
- ▶ Pitemmän kuljetuksen jälkeen tarkasta koneen ja akkujen mahdolliset vauriot ennen käyttöä.

Varastointi

VAROITUS

Viallinen tai vuotava akku voi aiheuttaa vaurioita !

- ▶ Varastoi tuotteesi aina akku irrotettuna!
- ▶ Varastoi kone ja akut viileässä ja kuivassa paikassa.
- ▶ Älä koskaan varastoi akkuja auringonpaisteessa, lämmittimen tai patterin päällä tai ikkunan vieressä.
- ▶ Varastoi kone ja akut lasten ja asiattomien henkilöiden ulottumattomissa.
- ▶ Pitemmän varastoinnin jälkeen tarkasta kone ja akkujen mahdolliset vauriot ennen käyttöä.

10 Apua häiriötilanteisiin

Häiriöissä, joita ei ole kuvattu tässä taulukossa tai joita et itse pysty poistamaan, ota yhteys **Hilti**-huoltoon.

10.1 Vianmääritys


Häiriö	Mahdollinen syy	Ratkaisu
Akku tyhjenee tavallista nopeammin.	Erittäin alhainen ympäristön lämpötila.	▶ Anna akun hitaasti lämmitä huoneenlämpötilaan.
Akku ei lukitu paikalleen selvästi naksauttaen.	Akun korvakkeet ovat likaantuneet.	▶ Puhdista salpanokat ja kiinnitä akku uudelleen paikalleen.
1 LED-merkkivalo vilkkuu. Kone ei toimi.	Akku tyhjentynyt. Akku on liian kylmä tai liian kuuma.	▶ Vaihda akku ja lataa tyhjentynyt akku. ▶ Anna akun hitaasti lämmitä tai jäähtyä huoneenlämpötilaan.
Kaikki 4 LED-merkkivaloa vilkkuvat. Kone ei toimi.	Kone on ylikuormittunut.	▶ Vapauta käyttökytkin ja paina sitä uudelleen. Anna sitten koneen käydä noin 30 sekunnin ajan joutokäyntiä.
Kulmahiomakone tai akku kuumenee voimakkaasti.	Sähköinen vika	▶ Kytke kone heti pois päältä, irrota akku koneesta, valvo akkua, anna sen jäähtyä ja hakeudu Hilti -huoltoon.
Koneen teho on heikko.	Käytettävän akun kapasiteetti on liian pieni.	▶ Käytä akkua, jonka kapasiteetti on riittävä.
Ei moottorin jarrutustoimintoa.	Akku tyhjentynyt. Kone on hetkellisesti ylikuormittunut.	▶ Vaihda akku ja lataa tyhjentynyt akku. ▶ Kytke kone pois päältä ja takaisin päälle.



11 RoHS (vaarallisten aineiden käytön rajoittamisen direktiivi)

Vaarallisten aineiden taulukon löydät seuraavasta linkistä: qr.hilti.com/r9884540.
Linkki RoHS-taulukkoon on tämän dokumentaation lopussa QR-koodina.

12 Hävittäminen

 **Hilti**-työkalut, -koneet ja -laitteet on pääosin valmistettu kierrätyskelpoisista materiaaleista. Kierrätyksen edellytys on materiaalien asianmukainen lajittelu. Useissa maissa **Hilti** ottaa vanhat koneet ja laitteet vastaan kierrätystä ja hävitystä varten. Lisätietoja saat **Hilti**-huollosta tai -edustajalta.

Akkujen hävittäminen

Määräystenvastaisten hävittämisen seurauksena akuista ulos pääsevät kaasut tai nesteet voivat vaarantaa terveyden.

- ▶ Älä lähetä vaurioituneita akkuja!
- ▶ Peitä liitännät sähköä johtamattomalla materiaalilla oikosulkujen välttämiseksi.
- ▶ Hävitä akut siten, etteivät ne voi joutua lasten käsiin.
- ▶ Hävitä akku viemällä se **Hilti Store** -liikkeeseen tai käänny vastuullisen jätteenkäsittely-yrityksen puoleen.



- ▶ Älä hävitä sähkötyökaluja, elektronisia laitteita ja akkuja tavallisen sekajätteen mukana!
-

13 Valmistajan myöntämä takuu

- ▶ Jos sinulla on takuehtoihin liittyviä kysymyksiä, ota yhteys paikalliseen **Hilti**-edustajaan.



1 Andmed dokumentatsiooni kohta

1.1 Kasutusjuhend

- Enne seadme kasutuselevõttu lugege see kasutusjuhend läbi. See on ohutu kasutamise ja tõrgeteta töö eeldus.
- Järgige kasutusjuhendis esitatud ja tootele märgitud ohutusnõudeid ja hoiatusi.
- Hoidke kasutusjuhend alati seadme juures ja toote edasiandmisel teistele isikutele andke üle ka kasutusjuhend.

1.2 Märkide selgitus

1.2.1 Hoiatused

Hoiatused annavad märku toote kasutamisel tekkivatest ohtudest. Kasutatakse alljärgnevaid märksõnu:



OHT !

- ▶ Võimalikud ohtlikud olukorrad, mis võivad põhjustada kasutaja raskeid kehavigastusi või hukkamist.



HOIATUS !

- ▶ Võimalik ohtlik olukord, mis võib põhjustada kasutaja raskeid kehavigastusi või hukkamist.



ETTEVAATUST !

- ▶ Võimalikud ohtlikud olukorrad, millega võivad kaasneda kergemad kehavigastused või varaline kahju.

1.2.2 Kasutusjuhendis kasutatud sümboolid

Selles dokumendis kasutatakse järgmisi sümboleid.



Lugege enne kasutamist läbi kasutusjuhend!



Soovitused seadme kasutamiseks ja muu kasulik teave



Taaskasutatavate materjalide käsitlemine



Elektriseadmeid ja akusid ei tohi visata olmejäätmete hulka.

1.2.3 Joonistel kasutatud sümboolid

Joonistel kasutatakse järgmisi sümboleid.



Numbrid viitavad vastavatele joonistele kasutusjuhendi alguses



Numeratsioon kajastab töetappide järjekorda pildi kujul ja võib tekstis kirjeldatud töetappidest erineda



Positsiooninumbreid **kasutatakse ülevaatejoonisel** ja need viitavad selgituste numbritele **toote ülevaates**



See märk näitab, et toote käsitlemisel tuleb olla eriti tähelepanelik.

1.3 Tootepõhised sümboolid

1.3.1 Sümboolid tootel

Tootel kasutatakse järgmisi sümboleid:



Kasutage kaitseprille



n	Nimipöörete arv
/min	Pööret minutis
RPM	Pööret minutis
∅	Läbimõõt
---	Alalisvool
	Traadita andmeedastus
Li-Ion	Liitumioonaku
	Kasutatud Hilti liitium-ioonaku tüübiseeria. Pidage kinni peatükis Sihipärane kasutamine toodud juhistest.

1.4 Tooteinfo

HILTI tooted on ette nähtud professionaalsele kasutajale ja neid tohivad käsitseda, hooldada ja korras hoida ainult volitatud ja asjaomase väljaõppega isikud. Nimetatud personal peab olema teadlik kõikidest kaasnevatest ohtudest. Seade ja sellega ühendatavad abivahendid võivad osutada ohtlikuks, kui neid ei kasutata nõuetekohaselt või kui nendega töötab vastava väljaõppeta isik.

Tüübitähis ja seerianumber on tüübisildil.

- ▶ Kandke seerianumber järgmisse tabelisse. Andmeid toote kohta vajate meie esindusele või hooldekeskusele päringute esitamisel.

Tooteinfo

Nurklihvmasin	AG 4S-A22
Generatsioon	01
Seerianumber	

1.5 Vastavusdeklaratsioon

Kinnitame ainuvastutajana, et käesolevas kasutusjuhendis kirjeldatud seade vastab kehtivate direktiivide ja standardite nõuetele: Vastavusdeklaratsiooni koopia leiata käesoleva kasutusjuhendi lõpust.

Tehnilised dokumendid on saadaval:

Hilti Entwicklungsgesellschaft mbH | Zulassung Geräte | Hiltistraße 6 | 86916 Kaufering, DE

2 Ohutus

2.1 Ohutusnõuded

2.1.1 Üldised ohutusnõuded elektriliste tööriistade kasutamisel

⚠ HOIATUS! Lugege kõiki selle elektrilise tööriista juurde kuuluvaid ohutusjuhiseid, nõuandeid, jooniseid ja tehnilisi andmeid! Järgmiste juhiste eiramise tagajärg võib olla elektrilöök, tulekahju ja/või rasked vigastused.

Hoidke kõik ohutusnõuded ja juhised edaspidiseks kasutamiseks alles.

Ohutusjuhistes kasutatud mõiste "elektriline tööriist" käib võrgutoitega (toitejuhtmega) elektriliste tööriistade või akutoituga (toitejuhtmeta) elektriliste tööriistade kohta.

Ohutus töökohal

- ▶ **Hoidke oma töökoht puhas ja valgustage seda korralikult.** Korrastamata ja valgustamata töökoht võib põhjustada õnnetusi.
- ▶ **Ärge kasutage elektrilist tööriista plahvatusohtlikus keskkonnas, kus leidub tuleohtlikke vedelikke, gaase või tolmu.** Elektrilistest tööriistadest lööb sädemeid, mis võivad tolmu või auru süüdata.
- ▶ **Hoidke lapsed ja kõik teised töökohast eemal, kui kasutate elektrilist tööriista!** Kui teie tähelepanu juhitakse kõrvale, võib seade teie kontrolli alt väljuda.



Elektriohutus

- ▶ **Elektrilise tööriista pistik peab sobima pistikupesasse. Pistiku juures ei tohi teha mingeid muudatusi. Kaitsemaandusega seadmete puhul ei tohi kasutada adapterpistikuid.** Muutmata pistikud ja sobivad pistikupesad vähendavad elektrilöögiohtu.
- ▶ **Vältige keha kontakti maandatud pindadega (nt toru, radiaator, pliit, külmik).** Kui teie keha on maandatud, on elektrilöögi oht suurem.
- ▶ **Kaitske elektrilist tööriista vihma ja niiskuse eest.** Kui elektrilise tööriista sisemusse satub vett, suurendab see elektrilöögiohtu.
- ▶ **Ärge kasutage ühenduskaablit elektrilise tööriista kandmiseks, riputamiseks ega pistiku stepslist väljatõmbamiseks!** Hoidke ühenduskaablit eemal kuumusest, õlidest, teravatest servadest ja liikuvatest osadest. Kahjustatud või keerds ühenduskaablid suurendavad elektrilöögiohtu.
- ▶ **Kui töötate elektrilise tööriistaga vabas õhus, kasutage ainult selliseid pikendusjuhtmeid, mida tohib kasutada ka välitingimustes.** Välitingimustes sobiva pikendusjuhtme kasutamine vähendab elektrilöögiohtu.
- ▶ **Kui seadmega töötamine niiskes keskkonnas on vältimatu, kasutage rikkevoolu kaitselülitiit.** Rikkevoolu kaitselüliti kasutamine vähendab elektrilöögiohtu.

Inimeste ohutus

- ▶ **Olge tähelepanelik, jälgige, mida teete, ja toimige elektrilise tööriistaga töötades kaalutletult. Ärge töötage elektrilise tööriistaga, kui olete väsinud või alkoholi, narkootikumide või ravimite mõju all!** Hetkeline tähelepanematus elektrilise tööriista kasutamisel võib põhjustada raskeid kehavigastusi ja varalist kahju.
- ▶ **Kandke isiklikke kaitsevahendeid ja alati kaitseprille.** Isiklike kaitsevahendite, nt tolmu maski, libisemiskindlate turvajalatsite, kaitsekiivri või kuulmiskaitsevahendite kandmine (sõltuvalt elektrilise tööriista tüübist ja kasutusala) vähendab vigastusohtu.
- ▶ **Vältige elektrilise tööriista soovimatut käivitamist! Enne elektrilise tööriista ühendamist vooluvõrku ja/või elektrilise tööriista aku paigaldamist, tööriista ülestõstmist ja kandmist veenduge, et elektriline tööriist on välja lülitatud!** Kui hoiate elektrilise tööriista kandmisel sõrme lülitiil või ühendate vooluvõrku sisselülitatud tööriista, võib juhtuda õnnetus.
- ▶ **Enne elektrilise tööriista sisselülitamist eemaldage selle küljest seade- ja mutrivõtmed.** Elektrilise tööriista pöörleva osa küljes olev seade- või mutrivõti võib põhjustada vigastusi.
- ▶ **Vältige ebatavalist tööasendit! Võtke stabiilne tööasend ja säilitage alati tasakaal.** Nii saate elektrilist tööriista ootamatutes olukordades paremini kontrollida.
- ▶ **Kandke sobivat rõivastust. Ärge kandke laiu riideid ega ehteid! Hoidke juuksed, rõivad ja kindad seadme liikuvatest osadest eemal.** Lotendavad riided, ehted ja pikad juuksed võivad sattuda seadme liikuvate osade vahele.
- ▶ **Kui elektrilise tööriista külge on võimalik paigaldada tolmuemaldus- ja kogumiseseadiseid, veenduge, et need on tööriistaga ühendatud ja et neid kasutatakse nõuetekohaselt.** Tolmuemalduseseadise kasutamine võib vähendada tolmu tihedust.
- ▶ **Ärge laske tekkida petlikul turvatundel ega eirake elektrilise tööriista ohutusreeglid isegi siis, kui olete pärast paljukordset kasutamist elektrilise tööriistaga harjunud.** Tähelepanematu käsitsemise võib sekundi mürdosa jooksul kaasa tuua raskeid vigastusi.

Elektrilise tööriista kasutamine ja käsitsemine

- ▶ **Ärge koormake seadet üle!** Kasutage konkreetseks tööks sobivat elektrilist tööriista. See töötab ettenähtud jõudluspiirides tõhusamalt ja ohutumalt.
- ▶ **Ärge kasutage elektrilist tööriista, mille lüliti on rikkis!** Elektriline tööriist, mida ei saa enam lülitiit korralikult sisse ja välja lülitada, on ohtlik ning tuleb viia parandusse.
- ▶ **Tõmmake enne seadme mis tahes seadetõid, tarvikute vahetamist ja seadme hoieüpanekut pistikupesast välja ja/või eemaldage äravõetav aku.** See ettevaatusabinõu hoiab ära seadme soovimatu käivitamise.
- ▶ **Kasutusvälisel ajal hoidke elektrilist tööriista lastele kättesaamatus kohas. Ärge laske seadet kasutada isikult, kes seadme tööpõhimõtet ei tunne või ei ole lugenud käesolevaid kasutusjuhendeid.** Asjatundmatute isikute käes on elektrilised tööriistad ohtlikud.
- ▶ **Hooldage elektrilisi tööriistu ja tarvikuid korralikult. Kontrollige, kas liikuvad osad töötavad veatult ega kiilu kiini.** Veenduge, et seadme osad ei ole murdunud või kahjustatud määral, mis mõjutab seadme töökindlust. Laske kahjustatud osad enne seadme kasutamist parandada. Ebapiisavalt hooldatud elektrilised tööriistad põhjustavad õnnetusi.
- ▶ **Hoidke lõiketarvikud teravad ja puhtad.** Hästi hooldatud, teravate lõikeservadega lõiketarvikud kiiluvad harvemini kinni ja neid on lihtsam juhtida.



- ▶ **Kasutage elektrilist tööriista, tarvikuid ja lisatarvikuid vastavalt nende juhiste. Arvestage seejuures töötingimuste ja tehtava töö iseloomuga.** Elektrilise tööriista kasutamine otstarbel, milleks see ei ole ette nähtud, võib põhjustada ohtlikke olukordi.
- ▶ **Käepidemed ja haardepinnad peavad olema kuivad, puhtad ning vabad õlist ja rasvast.** Libedad käepidemed ja haardepinnad ei võimalda elektrilist tööriista ootamatutes olukordades kindlalt käsitseda ega kontrollida.

Akuga tööriista kasutamine ja käsitsemine

- ▶ **Laadige akusid ainult tootja soovitatud laadimisseadmega.** Kui teatud tüüpi aku laadimiseks ettenähtud laadimisseadet kasutatakse teist tüüpi akude laadimiseks, tekib tulekahjuoht.
- ▶ **Kasutage elektrilistes tööriistades ainult ettenähtud akusid.** Teist tüüpi akude kasutamine võib põhjustada vigastus- ja põlenguohtu.
- ▶ **Hoidke akud kasutusvälisel ajal eemal kirjaklambritest, müntidest, võtmetest, naeltest, kruvidest ja teistest väikestest metallsetest, mis võivad aku kontaktid omavahel ühendada.** Aku kontaktide vahel tekkinud lühis võib põhjustada põletuse või tulekahju.
- ▶ **Väärkasutuse korral võib akuvedelik akust välja voolata. Vältige sellega kokkupuudet. Juhusliku kokkupuute korral loputage kahjustatud kohta veega.** Kui vedelik satub silma, otsige ka arstiabi. Väljavoolav akuvedelik võib põhjustada nahaärritust või põletust.
- ▶ **Ärge kasutage kahjustatud ega modifitseeritud akut!** Kahjustatud või modifitseeritud akud võivad käituda ettenägematult ja põhjustada tulekahju, plahvatusi või vigastusohtu.
- ▶ **Ärge laske akul kokku puutuda tule ega liiga kõrge temperatuuriga!** Tuli või temperatuur üle 130 °C (265 °F) võivad tekitada plahvatusi.
- ▶ **Järgige kõiki laadimisjuhiseid ja ärge kunagi laadige akut ega akutööriista väljaspool kasutusjuhendis näidatud temperatuurivahemikku.** Väär laadimine või laadimine väljaspool lubatud temperatuurivahemikku võib kahjustada akut ja suurendada tuleohtu.

Hooldus

- ▶ **Laske elektrilist tööriista parandada ainult kvalifitseeritud spetsialistidel, kes kasutavad originaalvaruosi.** Nii on tagatud elektrilise tööriista ohutu töö.
- ▶ **Ärge hooldage kahjustatud akut!** Akut võib hooldada ainult tootja või volitatud klienditeenindus.

2.1.2 Ühised ohutusnõuded lihvimisel, liivapaberiga lihvimisel, traatharjadega töötlemisel, poleerimisel ja lõikamisel:

- ▶ **See seade on ette nähtud kasutamiseks lihvimasina, traatharja ja ketaslõikurina.** Järgige kõiki seadmega kaasasolevaid ohutusnõudeid, juhiseid, kirjeldusi ja andmeid. Järgnevate juhiste eiramise tagajärjeks võib olla elektrilööki, tulekahju ja/või rasked vigastused.
- ▶ **Seade ei sobi poleerimiseks.** Seadme kasutamine otstarbel, milleks seade ei ole ette nähtud, on ohtlik ja võib põhjustada vigastusi.
- ▶ **Ärge kasutage lisatarvikuid, mida tootja ei ole spetsiaalselt selle seadme jaoks ette näinud ega soovitanud.** Asjaolu, et lisatarvikut saab seadme külge kinnitada, ei taga veel ohutut tööd.
- ▶ **Tarviku lubatud pöörte arv peab olema vähemalt sama suur nagu seadmel toodud maksimaalne pöörlemiskiirus.** Lubatust kiiremini pöörlev tarvik võib puruneda ja selle tükid võivad laiali paiskuda.
- ▶ **Tarviku välisläbimõõt ja paksus peavad olema vastavuses seadme mõõtmega.** Valedel mõõtmega tarvikud ei kata kettakaitse piisaval määral ning need võivad väljuda Teie kontrolli alt.
- ▶ **Keermestatud tarvikud peavad spindli keermega täpselt sobima. Seibi abil monteeritavate tarvikute puhul peab tarviku siseava läbimõõt vastama seibi läbimõõdule.** Tarvikud, mis ei ole tööriista küljes kindlalt kinni, pöörlevad ebaühtlaselt, vibreerivad tugevalt ja võivad kaasa tuua kontrolli kaotuse.
- ▶ **Ärge kasutage kahjustatud tarvikuid.** Iga kord enne kasutamist kontrollige tarvikuid, näiteks lihvketaid pragude, lihtaldude pragude või kulumise, traatharju lahtiste või murdunud traatide suhtes. Kui seade või tarvik kukub maha, kontrollige seda vigastuste suhtes ja vajaduse korral võtke kasutusele vigastamata tarvik. Pärast tarviku kontrollimist ja paigaldamist laske seadmel töötada ühe minuti jooksul maksimaalsetel pööretel. Seejuures veenduge, et ei Teie ega läheduses viibivad inimesed ei asu pöörleva tarvikuga ühel joonel. Nimetatud katseaja jooksul vigastatud tarvikud üldjuhul murduvad.
- ▶ **Kasutage isikukaitsevahendeid. Kandke vastavalt töö iseloomule näokaitsemaski, silmade kaitsemaski või kaitseprille. Vajaduse korral kandke tolmukaitsemaski, kuulmiskaitsevahendeid, kaitsekindaid või kaitsepõlle, mis püüab kinni lihvimisel eralduvat väiksemat materjaliosakesed.** Silmad peavad olema kaitsitud erinevatel töödel eralduvate ja eemalepaiskuvate võõrkehade eest. Tolmu- ja hingamisteede kaitsemask peab filtreerima töötamise tekkinud tolmu. Pikaajaline vali müra võib kahjustada kuulmist.



- ▶ **Veenduge, et teised inimesed viibivad tööpiirkonnast ohutul kaugusel. Kõik tööpiirkonda sisenevad inimesed peavad kandma isikukaitsevahendeid.** Töödeldava tooriku või murdunud tarviku osakesed võivad eemale paiskuda ja põhjustada vigastusi ka väljaspool vahetatud tööpiirkonda.
- ▶ **Kui teete töid, mille puhul võib tarvik tabada varjatud elektrijuhtmeid, hoidke seadet isoleeritud haardepinnast.** Kokkupuude pingestatud elektrijuhtmega võib seada pinge alla ka seadme metalldetailid ja põhjustada elektrilöögi.
- ▶ **Veenduge, et toitejuhe on pöörlevatest tarvikutest eemal.** Kui seade Teie kontrolli alt väljub, tekib toitejuhtme läbilõikamise või kinnijäämise oht, mille tagajärjel võib Teie käsi pöörleva tarvikuga kokku puutuda.
- ▶ **Ärge pange seadet kunagi käest enne, kui tarvik on täielikult seiskunud.** Pöörlev tarvik võib pinnaga kokku puutuda, mille tagajärjel võib seade Teie kontrolli alt väljuda.
- ▶ **Seadme kandmise ajal ei tohi seade töötada.** Pöörlev tarvik võib Teie riietega juhuslikult kokku puutuda ja Teid vigastada.
- ▶ **Puhastage seadme ventilatsioonivahendid regulaarselt.** Mootori jahutusventilaator tõmbab tolmu korpusesse ning kuhjunud metallitolm võib põhjustada elektrilisi ohte.
- ▶ **Ärge kasutage seadet süttivate materjalide läheduses.** Sädemed võivad need materjalid süüdata.
- ▶ **Ärge kasutage tarvikuid, mille jahutamiseks on ette nähtud jahutusvedelikuid.** Vee või teiste jahutusvedelike kasutamine võib põhjustada elektrilöögi.

Tagasilöökk ja asjaomased ohutusnõuded

Tagasilöökk on kinnikiilunud tarviku, näiteks lihvketta, lihvtalla, traatharja jmt tõttu tekkinud äkiline reaktsioon. Kinnikiilumine põhjustab pöörleva tarviku järsu seiskumise. Selle toimel liigub kontrolli alt väljunud seade tarviku pöörlemissuunale vastupidises suunas.

Kui näiteks lihvketas toorikus kinni kiilub, võib lihvketta serv toorikusse kinni jääda, mille tagajärjel võib lihvketas murduda või põhjustada tagasilöögi. Lihvketas liigub siis sõltuvalt ketta pöörlemissuunast kas seadme kasutaja poole või temast eemale. Lihvkettad võivad seejuures ka murduda.

Tagasilöökk on seadme vale kasutuse või puudulike töövõtete tagajärg. Seda saab järgnevalt kirjeldatud sobivate ettevaatusabinõude rakendamisega ära hoida.

- ▶ **Hoidke seadet tugevasti kinni ja viige oma keha ja käed asendisse, milles saate tagasilöögiõududele vastu astuda. Kasutage alati lisakäepidet, kui see on olemas, et tagasilöögiõudude või reaktsioonimomendi seadme ülespaiskumisel maksimaalselt kontrolli all hoida.** Sobivate ettevaatusabinõude rakendamisega suudab seadme kasutaja tagasilöögi- ja reaktsioonijõudu kontrollida.
- ▶ **Ärge asetage oma kätt pöörlevate tarvikute lähedusse.** Tarvik võib tagasilöögi puhul liikuda üle Teie käe.
- ▶ **Hoidke oma keha eemal piirkonnast, kuhu seade tagasilöögi puhul liigub.** Tagasilöökk viib seadme lihvketta pöörlemissuunale vastupidises suunas.
- ▶ **Töötage eriti ettevaatlikult nurkades, teravate servade piirkonnas jm. Vältige tarvikute tagasi- pörkimist toorikult ja tarvikute kinnikiilumist.** Pöörlev tarvik kaldub nurkades, teravate servade piirkonnas ja toorikult tagasi- pörkimise korral kinni kiiluma. See põhjustab kontrolli kaotuse seadme üle ja tagasilöögi.
- ▶ **Ärge kasutage kettsaelehte ega hammastusega saeketast.** Sellised tarvikud põhjustavad tihti tagasilöögi või kontrolli kaotuse seadme üle.

Ohutuse erinõuded lihvimisel ja lõikamisel:

- ▶ **Kasutage üksnes seadme jaoks ette nähtud lihvkettast ja selle ketta jaoks ette nähtud kettakaitset.** Lihvkettaid, mis ei ole seadme jaoks ette nähtud, katab kettakaitse ebapiisavalt ja need on seetõttu ohtlikud.
- ▶ **Kõverdatud lihvkettad tuleb paigaldada nii, et nende lihvimispind ei ulatu üle kettakaitse serva.** Valesti paigaldatud lihvkettast, mis ulatub üle kettakaitse serva, ei katta kettakaitse piisavalt.
- ▶ **Kettakaitse peab olema elektrilise tööriista külge kindlalt kinnitatud ja olema maksimaalse turvalisuse tagamiseks seatud nii, et kasutaja poole jääb katmata lihvimistarvikust võimalikult väike osa.** Kettakaitse aitab kasutajat kaitsta murdunud osakeste, lihvkettaga juhusliku kokkupuute ja sädemete eest.
- ▶ **Lihvkettaid tohib kasutada vaid ettenähtud otstarbel. Näiteks ärge kunagi kasutage lõikeketta külgpinda lihvimiseks.** Lõikekettad on ette nähtud materjali lõikamiseks ketta servaga. Külgsuunas rakendatava jõu mõjul võib lõikeketas puruneda.
- ▶ **Valitud lihvketta jaoks kasutage alati vigastamata ja õige suuruse ning kujuga kinnitusseibi.** Sobivad seibid kaitsevad lihvkettast ja vähendavad lihvketta purunemise ohtu. Lõikekettaste seibid võivad lihvkettaste seibidest erineda.
- ▶ **Ärge kasutage suuremate seadmete kulunud lihvkettaid.** Suuremate seadmete lihvkettad ei ole kohandatud väiksemate seadmete suurema pöörlemiskiirusega ja võivad puruneda.



Ohutuse täiendavad erinõuded lõikamisel:

- ▶ **Vältige lõikeketta kinnikiilumist ja liiga suurt avaldatavat survet. Ärge tehke liiga sügavaid lõikeid.** Liigse surve avaldamine lõikekettale suurendab ketta koormust ja kinnikiilumisohu ning sellega ka tagasilöögi või ketta purunemise võimalust.
- ▶ **Vältige pöörleva lõikeketta ette ja taha jäävat piirkonda.** Kui suunate lõikeketast toorikus endast eemale, võib tagasilöögi korral seade koos pöörleva kettaga otse Teie suunas paikneda.
- ▶ **Kui lõikeketas kinni kiilub või kui Te töö katkestate, lülitage seade välja ja hoidke seda paigal seni, kuni ketas on täielikult seiskunud. Ärge püüdke veel pöörlevat lõikeketast lõikejoonest välja tõmmata, vastasel juhul võib tekkida tagasilöökk.** Tehke kindlaks ja kõrvaldage kinnikiilumise põhjus.
- ▶ **Ärge lülitage seadet sisse, kui see on veel toorikus. Laske lõikekettal kõigepealt saavutada maksimaalne pöörlemiskiirus ja jätkake seejärel lõiget ettevaatlikult.** Vastasel korral võib ketas kinni kiiluda, toorikust välja hüpata või tagasilöögi põhjustada.
- ▶ **Plaadid ja suured toorikud toestage, et vältida kinnikiilunud lõikekettast põhjustatud tagasilöögi ohtu.** Suured toorikud kalduvad omaenda raskuse mõjul läbi painduma. Toorik peab olema toestatud mõlemalt küljelt ja nii lõikejoone lähedalt kui ka servast.
- ▶ **Olge eriti ettevaatlik uputuslõigete tegemisel seintesse või teistesse varjatud kohtadesse.** Uputatav lõikeketas võib gaasi- või veetorude, elektrijuhtmete või teiste objektide tabamisel põhjustada tagasilöögi.

Ohutuse täiendavad erinõuded liivapaberiga lihvimisel:

- ▶ **Ärge kasutage liiga suuri liivpaberid, järgige tootja juhiseid liivpaberi suuruse kohta.** Üle lihvtaalla serva ulatuvad liivpaberid võivad tekitada vigastusi ning tuua kaasa liivpaberi kinnikiilumise, rebenemise või seadme tagasilöögi.

Ohutuse erinõuded traatharjadega töötamisel:

- ▶ **Pidage meeles, et traatharjast eraldub traaditükke ka tavalise kasutamise korral. Ärge avaldage traatharjale liigset survet.** Traadid võivad tungida kergesti läbi õhukeste riiete ja tekitada vigastusi.
- ▶ **Kui on soovitat kasutada kettakaitset, vältige kettakaitse ja traatharja kokkupuudet.** Taldrik- ja kaussharjade läbimõõt võib avaldatava surve ja tsentrifugaaljõudude toimel väheneda.

2.1.3 Täiendavad ohutusnõuded

Isikuohutus

- ▶ Kasutage toodet ainult siis, kui selle tehniline seisukord on veatu.
- ▶ Ärge muutke ega modifitseerige seadet mingil viisil.
- ▶ Vältige kokkupuudet seadme pöörlevate osadega - vigastuste oht!
- ▶ Kandke ka tarvikut vahetades kaitsekindaid! Tarviku puudutamine võib tekitada löikehaavu ja põletusi.
- ▶ Enne töö algust tehke kindlaks töötamise tekkiva tolmu ohuklass. Kasutage ettenähtud kaitseklassi kuuluvat ehitustolmuimejat, mis vastab kehtivatele tolmuikatsenõuetele. Pliisisaldusega värvide, teatavat liiki puidu, betooni/müüritise/kvartsisisaldusega kivi, mineraalide ja metalli tolm võib kahjustada tervist.
- ▶ Tagage töökohal hea ventilatsioon ja kandke tekkiva tolmu filtreerimiseks sobivat hingamisteede kaitsemaski. Kokkupuude tolmuuga või tolmu sissehingamine võib põhjustada kasutajal või läheduses viibival isikul allergilist reaktsiooni ja/või hingamisteede haigusi. Teatav tolm, nt tamme- või pöögitolm on kantserogeenne, seda eeskätt koosmõjus puidu töötlemiseks ettenähtud lisaainetega (kromaat, puidukaitselahendid). Asbesti sisaldavate materjalide töötlemine on lubatud vaid asjaomase kvalifikatsiooniga isikul.
- ▶ Tehke tööpause ja liigutage sõrmi, et parandada nende verevarustust. Pikemaajaliste tööde korral võib vibratsioon tekitada probleeme sõrmede, käte ja käeligeste veresoontes ja närvüsteemis.

Elektriohutus

- ▶ Enne töö algust kontrollige tööpiirkond üle ja veenduge, et seal ei ole varjatud elektrijuhtmeid, gaasi- ega veetorusid. Seadme välised metallosad võivad elektrijuhtme vigastamise korral tekitada elektrilöögi.

Elektriliste tööriistade hoolikas käsitlemine ja kasutamine

- ▶ Ärge kasutage lihvimiseks lõikeketaid.
- ▶ Pingutage tarvik ja flants tugevasti kinni. Kui tarvikut ja flantsi ei ole kõvasti kinni pingutatud, võib otsak mootori seiskamisel spindli küljest lahti tulla.
- ▶ Pidage kinni tootja juhistest lihvketaste käsitlemise ja hoidmise kohta.

2.1.4 Akude hoolikas käsitlemine ja kasutamine

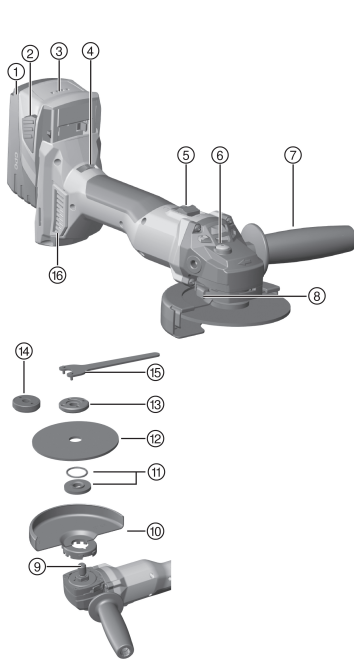
- ▶ Järgige liitiumioonakude veo, ladustamise ja käsitlemise suhtes kehtivaid erinõudeid.
- ▶ Kaitske akusid kõrgete temperatuuride, otsese päikese kiirguse ja tule eest.
- ▶ Akusid ei tohi lahti võtta, muljuda, kuumutada üle 80 °C ega põletada.



- ▶ Ärge kasutage ega laadige akusid, mis on saanud löögi, kukkunud kõrgemalt kui üks meeter või muul viisil vigastada saanud. Võtke sellisel juhul alati ühendust **Hilti hooldekeskusega**.
- ▶ Kui aku on nii kuum, et seda ei saa puudutada, võib aku olla defektnine. Asetage aku tulekindlasse kohta nii, et see jääb süttivatest materjalidest piisavalt kaugemale ja et seda saaks jälgida, ning laske akul jahtuda. Võtke sellisel juhul alati ühendust **Hilti hooldekeskusega**.

3 Kirjeldus

3.1 Toote ülevaade 1



- ① Aku
- ② Aku vabastusnupp
- ③ Aku laetuse astme näit
- ④ Kiiruse regulaator
- ⑤ Toitelüliti
- ⑥ Spindlilukustusnupp
- ⑦ Lisakäepide
- ⑧ Kettakaitsme vabastusnupp
- ⑨ Spindel
- ⑩ Standardne kettakaits
- ⑪ Kinnitusflants koos rõngastihendiga
- ⑫ Lõikeketas/lihvketas
- ⑬ Kinnitusmutter
- ⑭ **Kwik lock** tüüpi kiirkinnitusmutter (lisavarustus)
- ⑮ Otsvõti
- ⑯ Tolmufilter

3.2 Sihipärane kasutamine

Kirjeldatud toode on käsitsi juhitud akutoitega nurklihvmasin. See on ette nähtud metallide ja mineraalsete materjalide lõikamiseks ja lihvimiseks, harjamiseks, liivapaberiga lihvimiseks ning keraamiliste plaatide puurimiseks ilma vett kasutamata. Seda tohib kasutada üksnes kuivlõikamiseks/-lihvimiseks.

- Mineraalsete materjalide lõikamine ja lihvimine on lubatud vaid vastava kettakaitsme (lisavarustus) kasutamise korral.
- Mineraalsete materjalide, näiteks betooni või kivi töötlemisel tuleb kasutada tolmuemalduskatet, mis on kohandatud sobiva **Hilti** tolmuimejaga.
- ▶ Kasutage selle toote jaoks ainult B 22 tüüpi **Hilti** liitiumioonakusid.
- ▶ Nende akude laadimiseks kasutage ainult C4/36 tüüpi **Hilti** laadimiseadmeid.

3.3 Tarnekomplekt

Nurklihvmasin, lisakäepide, standardne kettakaits, eesmine kate, kinnitusmutter, kinnitusflants, otsvõti, tolmufilter, kasutusjuhend.

Teised tööriistaga kasutada lubatud süsteemsed tooted leiata kauplusest **Hilti Store** või veebisaidilt: www.hilti.group.



3.4 ATC

Seade on varustatud elektroonilise kiirväljalülitusega ATC (Active Torque Control).

Kui tarvik blokeerub või jääb kinni, hakkab seade äkitselt kontrollimatult vastassuunas pöörlema. ATC tuvastab selle äkilise pöörlemise ja lülitab tööriista kohe välja.



Nõuetekohaseks töötamiseks peab tööriist saama vabalt pöörlema. Pärast kiirseiskumist lülitage seade välja ja uuesti sisse.

3.5 Temperatuurist sõltuv mootorikaitse

Temperatuurist sõltuv mootorikaitse süsteem jälgib sisendvoolu ja mootori temperatuuri ja kaitseb seadet ülekuumenemise eest.

Liiga suurest rakendatavast survest tingitud mootori ülekoormuse korral alaneb seadme jõudlus tunduvalt ja seade võib koguni seiskuda.

Ülekoormusest tingitud seiskumise või pöörlemiskiiruse alanemise korral tuleb seadmele rakendatavat survet vähendada ja lasta seadmel umbes 30 sekundit tühikäigul töötada.

3.6 Eesmise kattega kettakaitse 2

Metallide töötlemise korral kasutage sirgete lihvketastega lihvimisel ja löikeketastega löikamisel eesmise kattega standardset kettakaitset.

3.7 Tolmueemalduskate (löikamine) DC-EX 125/5" C Kompaktne kate (tarvik) 3

Mineraalsete pindade löikamiseks teemantlöikeketastega tuleb kasutada kompaktsset katet DC-EX 125/5" C. Metallide töötlemine on selle seadisega keelatud.

3.8 Tolmueemalduskate (löikamine) DC-EX 125/5"M (lisatarvik) 4

Mineraalsete pindade lihvimisel ja löikamisel teemantlöike-/lihvketastega tuleb kasutada tolmuakat. **ETTEVAATUST** Metallide töötlemine on selle kattega keelatud.

3.9 Tolmueemalduskate (lihvimine) DG-EX 125/5" (tarvik) 5

Seade sobib mineraalsete materjalide lihvimiseks teemantkaussketaste abil vaid mööndustega. Metallide töötlemine on selle seadisega keelatud.

3.10 Li-lon-aku laetuse astme näit

Li-lon-aku laetuse astme näitu kuvatakse, kui vajutada aku ühele vabastusnupule.

Seisund	Tähendus
4 LED-tuld põlevad.	Laetuse aste: 75 % kuni 100 %
3 LED-tuld põlevad.	Laetuse aste: 50 % kuni 75 %
2 LED-tuld põlevad.	Laetuse aste: 25 % kuni 50 %
1 LED-tuli põleb.	Laetuse aste: 10 % kuni 25 %
1 LED vilgub.	Laetuse aste: < 10 %



Töötamise ajal ja vahetult pärast töö lõppu ei ole võimalik aku laetuse astet teada saada. Kui aku laetuse astme indikaatori LED-tuled vilguvad, tegutsege vastavalt punktis „Abi tõrgete puhul” toodud juhistelega.

4 Kulumaterjal

Kasutada tohib vaid kunstvaiksideainega ja kiudainega tugevdatud kettaid, mille max Ø on 125 mm ning mille lubatud pöörlemiskiirus on vähemalt 11000/min ja perifeerikiirus 80 m/s.

Lihvketaste paksus võib olla maksimaalselt 6,4 mm ja löikeketaste paksus maksimaalselt 3,0 mm.

TÄHELEPANU! Kasutage löikeketastega löikamisel alati täiendava eesmise kattega standardset kettakaitset või täielikult suletud tolmueemalduskatet.



Kettad

Tüüp	Rakendus	Tähis	Materjal
Abrasiivne löikeketas	Lõikamine	AC-D	Metall
Teemantlõikeketas	Lõikamine	DC-TP, DC-D (SPX, SP, P)	Mineraalsed materjalid
Abrasiivne lihvketas	Lihvimine	AG-D, AF-D, AN-D	Metall
Teemantlihvketas	Lihvimine	DG-CW (SPX, SP, P)	Mineraalsed materjalid
Traathari	Traatharjad	3CS, 4CS, 3SS, 4SS	Metall
Teemantkroonpuur	Keraamiliste plaatide puurimine	DD-M14	Mineraalsed materjalid
Fiiberketas	Lihvimine	AP-D	Metall

Ketaste liigitus kasutatud varustuse järgi

Pos	Seadis	AC-D	AG-D, AF-D, AN-D	DG-CW (SPX, SP, P)	DC-TP, DC-D (SPX, SP, P)	AP-D	3CS, 4CS, 3SS, 4SS, DD-M14
A	Kettakaitse	X	X	X	X	X	X
B	Eesmine kate (kombinatsioonis A-ga)	X	—	—	X	—	—
C	Tolmueemalduskate (lihvimine) DG-EX 125/5"	—	—	X	—	—	—
D	Tolmueemalduskate (lõikamine) DC-EX 125/5"C (kombinatsioonis A-ga)	—	—	—	X	—	—
E	Tolmueemalduskate (lõikamine) DC-EX 125/5"M	—	—	—	X	—	—
F	Adapter DC-EX SL (kombinatsioonis E-ga)	—	—	—	X	—	—
G	Lisakäepide	X	X	X	X	X	X
H	Kinnitusmutter	X	X	X	X	—	—
I	Kinnitusflants	X	X	X	X	—	—
J	Kwik lock (valikuliselt H juurde)	X	X	—	X	—	—
K	Kinnitusmutter fiiberkettale	—	—	—	—	X	—
L	Tugitald	—	—	—	—	X	—

5 Tehnilised andmed

	AG 4S-A22-125
Nimipinge	21,6 V
Nimipöörlemiskiirus	8 500 p/min
Ketta maksimaalne läbimõõt	125 mm
Kaal EPTA-Procedure 01 kohaselt	3,1 kg
Spindli keere	M14
Spindli pikkus	22 mm



2233926

	AG 4S-A22-125
Ümbritseva keskkonna temperatuur töötamise ajal	-17 °C ... 60 °C
Hoiutemperatuur	-20 °C ... 70 °C

5.1 Tehnilised andmed

Spindli pikkus	22 mm
Ümbritseva keskkonna temperatuur töötamise ajal	-17 °C ... 60 °C
Hoiutemperatuur	-20 °C ... 70 °C

5.2 Aku

Aku tööpinge	21,6 V
Ümbritseva keskkonna temperatuur töötamise ajal	-17 °C ... 60 °C
Hoiutemperatuur	-20 °C ... 40 °C
Aku temperatuur laadimise alguses	-10 °C ... 45 °C

5.3 Andmed müra ja vibratsiooni kohta vastavalt standardile EN 60745

Käesolevas juhendis märgitud helirõhu- ja vibratsioonitase on mõõdetud standarditud mõõtemetodil ja seda saab kasutada elektriliste tööriistade omavaheliseks võrdlemiseks. See sobib ka vibratsiooni- ja mürataseme esialgseks hindamiseks.

Toodud näitajad iseloomustavad elektrilise tööriista põhilisi ettenähtud töid. Kui aga elektrilist tööriista kasutatakse muul otstarbel, teiste tarvikutega või kui tööriista on ebapiisavalt hooldatud, võivad näitajad käesolevas juhendis toodud näitajatest kõrvale kalduda. See võib vibratsiooni- ja mürataset töötamise koguperioodil tunduvalt suurendada.

Ekspositsiooni täpseks hindamiseks tuleb arvesse võtta ka aega, mil seade oli välja lülitatud või küll sisse lülitatud, kuid tegelikult tööle rakendamata. See võib vibratsiooni- ja mürataset töö koguperioodi lõikes tunduvalt vähendada.

Kasutaja kaitseks müra ja/või vibratsiooni eest võtke tarvitusele täiendavaid kaitsemeetmeid, näiteks: hooldage elektrilist tööriista ja tarvikuid korralikult, hoidke käed soojad, tagage sujuv töökorraldus.

AG 4S-A22-125

Teave müra kohta

Helirõhutase (L_{pA})	81,5 dB(A)
Helirõhutase mõõtemääramatus (K_{pA})	3 dB(A)
Helivõimsustase (L_{WA})	92,5 dB(A)
Helivõimsustase mõõtemääramatus (K_{WA})	3 dB(A)

Teave vibratsiooni kohta

Muude rakenduste, nt löikamise puhul võib vibratsioonitase olla teistsugune.

Pinna lihvimine vibratsiooni summutava käepidemega ($a_{h,AG}$)	4,7 m/s ²
Liivapaberiga lihvimine vibratsiooni summutava käepidemega ($a_{h,DS}$)	5,3 m/s ²
Mõõtemääramatus (K)	1,5 m/s ²

6 Kasutuselevõtt

6.1 Aku laadimine

1. Enne laadimist lugege laadimiseadme kasutusjuhendit.
2. Veenduge, et aku ja laadimiseadme kontaktid on puhtad ja kuivad.
3. Laadige akut selleks ettenähtud laadimiseadmega.



6.2 Aku paigaldamine

ETTEVAATUST

Vigastuste oht lühise või allakukkunud aku tõttu!

- ▶ Enne aku paigaldamist veenduge, et aku ja seadme kontaktidel ei ole võõrkehaseid.
 - ▶ Veenduge, et aku fikseerub alati korrektselt kohale.
-
1. Enne esmakordset kasutamist laadige aku täiesti täis.
 2. Asetage aku seadme hoidikusse, nii et fikseerub kuuldavalt kohale.
 3. Kontrollige aku kindlat kinnitumist.

6.3 Aku eemaldamine

1. Vajutage aku vabastusnuppudele.
2. Tõmmake aku seadmehoidikust välja.

6.4 Lisakäepideme paigaldamine

- ▶ Keerake lisakäepide ühte ettenähtud keermestatud pesadest.

6.5 Kettakaitsme paigaldamine või mahavõtmine

ETTEVAATUST

Vigastuste oht. Tarvik võib olla kuum või teravate servadega.

- ▶ Paigaldamisel, mahavõtmisel, seadistamisel ja tõrgete kõrvaldamisel kandke kaitsekindaid.
-
- ▶ Järgige asjaomase kettakaitsme paigaldusjuhendit.

6.5.1 Standardse kettakaitsme paigaldamine



Kettakaitsme on varustatud seadenukkidega, mis tagavad, et paigaldada saab üksnes seadme jaoks ette nähtud tüüpi kettakaitsmet. Kettakaitsme seadenukid haakuvad tööriista kinnitustesse.

1. Asetage kettakaitsme spindlikaelale nii, et kettakaitsmel ja seadmel olevad kolmnurkmärgised on kohakuti.
2. Suruge kettakaitsme spindlikaelale.
3. Vajutage kettakaitsme vabastusnupule ja keerake kettakaitsme soovitud asendisse, kuni see fikseerub kohale.
 - ↳ Kettakaitsme vabastusnupp hüppab tagasi.

6.5.2 Standardse kettakaitsme reguleerimine

- ▶ Vajutage kettakaitsme vabastusnupule ja keerake kettakaitsme soovitud asendisse, kuni see fikseerub kohale.

6.5.3 Standardse kettakaitsme eemaldamine

1. Vajutage kettakaitsme vabastusnupule ja pöörake kettakaitsmet, kuni kettakaitsel ja seadmel olevad kolmnurkmärgised on kohakuti.
2. Võtke kettakaitsme maha.

6.6 Eesmise kate paigaldamine või mahavõtmine



Eesmine kate tuleb panna kettakaitsme peale.

1. Asetage eesmine kate kohale nii, et selle suletud pool jääb standardse kettakaitsme peale, ja laske lukustusel sulguda.
2. Mahavõtmiseks avage eesmise kate lukustus ja võtke kate standardset kettakaitsmelt maha.



6.7 Tarkiku paigaldamine või eemaldamine

HOIATUS

Vigastuste oht. Seadme mootori seiskamisel võib tarkik lahti tulla.

- ▶ Enne tarkiku või kinnitusmutri puudutamist oodake, kuni tarkik on seiskunud.
- ▶ Pingutage tarkik ja kinnitusflants kinnitusmutriga kinni nii, et seadme mootori seiskamisel ei tule spindli küljest osi lahti.

ETTEVAATUST

Vigastuste oht. Tarkik võib olla kuum.

- ▶ Tarkiku vahetamisel kandke kaitsekindaid.



Teemantkettad tuleb välja vahetada, kui lõike- või lihvimisjõudlus märgatavalt väheneb. Üldjuhul tuleb seda teha siis, kui teemantsegmentide kõrgus on väiksem kui 2 mm.

Muud tüüpi kettad tuleb vahetada, kui lõikejõudlus märgatavalt väheneb või kui nurklihvmasina osad (peale ketta) töötamise ajal materjaliga kokku puutuvad.

Abrasiivkettad tuleb välja vahetada nende kasutamiseks ettenähtud aja möödumisel.

6.7.1 Tarkiku paigaldamine

1. Eemaldage aku. → Lehekülg 91
2. Kontrollige, kas rõngastihend on kinnitusflantsis olemas ja kas see on terve.

Tulemus

Rõngastihend on kahjustada saanud.

Kinnitusflantsis puudub rõngastihend.

- ▶ Paigaldage uus kinnitusflants koos rõngastihendiga.
3. Asetage kinnitusflants spindlile nii, et see on korrektses asendis ega saa paigast nihkuda.
 4. Asetage peale tarkik.
 5. Keerake kinnitusmutter vastavalt paigaldatud tarkikule kinni.
 6. Vajutage spindlilukustusnupp alla ja hoidke seda selles asendis.
 7. Pingutage kinnitusmutter otsvõtme abil kindlalt kinni, seejärel vabastage spindlilukustusnupp ja eemaldage otsvõti.

6.7.2 Tarkiku mahavõtmine

1. Eemaldage aku. → Lehekülg 91

ETTEVAATUST

Purunemise ja hävinemise oht. Kui spindlilukustusnupule vajutada ajal, mil spindel pöörleb, võib tarkik lahti tulla.

- ▶ Vajutage spindlilukustusnupule üksnes siis, kui spindel seisab.
2. Vajutage spindli lukustusnupp alla ja hoidke seda selles asendis.
 3. Vabastage kiirkinnitusmutter, keerates seda otsvõtmega vastupäeva.
 4. Vabastage spindlilukustusnupp ja eemaldage tarkik.

6.7.3 Kwik lock tüüpi kiirkinnitusmutriga tarkiku paigaldamine

ETTEVAATUST

Purunemise oht. Liiga suure kulumise tõttu võib **Kwik lock** tüüpi kiirkinnitusmutter puruneda.

- ▶ Töötamisel veenduge, et **Kwik lock** tüüpi kiirkinnitusmutter ei puutu aluspinnaga kokku.
- ▶ Ärge kasutage kahjustatud **Kwik lock** tüüpi kiirkinnitusmutrit.



Kinnitusmutri asemel võib kasutada **Kwik lock** tüüpi kiirkinnitusmutrit. Sel juhul ei ole tarkikute vahetamiseks vaja mingeid tööriistu.

1. Eemaldage aku. → Lehekülg 91



- Kontrollige, kas rõngastihend on kinnitusflantsis olemas ja kas see on terve.

Tulemus

Rõngastihend on kahjustada saanud.

Kinnitusflantsis puudub rõngastihend.

- ▶ Paigaldage uus kinnitusflants koos rõngastihendiga.

- Puhastage kinnitusflants ja kiirkinnitusmutter.
- Asetage kinnitusflants spindlile.
- Asetage peale tarvik.
- Kravige **Kwik lock** tüüpi kiirkinnitusmutter tarviku peale, nii et see on korrektset paigas.
 - ☛ Kiri **Kwik lock** on pealekeeratud asendis nähtav.
- Vajutage spindlilukustusnupp alla ja hoidke seda selles asendis.
- Keerake tarvikut käega päripäeva tugevasti edasi, kuni **Kwik lock** tüüpi kiirkinnitusmutter on kindlalt kinni pingutatud, seejärel vabastage spindlilukustusnupp.

6.7.4 **Kwik lock** tüüpi kiirkinnitusmutriga tarviku eemaldamine

- Eemaldage aku. → Lehekülj 91

ETTEVAATUST

Purunemise ja hävinemise oht. Kui spindlilukustusnupule vajutada ajal, mil spindel pöörleb, võib tarvik lahti tulla.

- ▶ Vajutage spindlilukustusnupule üksnes siis, kui spindel seisab.
- Vajutage spindlilukustusnupp alla ja hoidke seda selles asendis.
 - Vabastage **Kwik lock** tüüpi kiirkinnitusmutter, keerates seda käsitsi vastupäeva.
 - Kui **Kwik lock** tüüpi kiirkinnitusmutrit ei ole võimalik käsitsi lahti keerata, keerake see otsvõtmega vastupäeva lahti.



Ärge kunagi kasutage torutange, et vältida **Kwik lock** tüüpi kiirkinnitusmutri kahjustamist.

- Vabastage spindlilukustusnupp ja eemaldage tarvik.

6.7.5 **Kroonpuuri paigaldamine 10**

- Eemaldage aku. → Lehekülj 91
- Paigaldage lisakäepide. → Lehekülj 91
- Paigaldage standardne kettakaitse.
- Asetage kroonpuur kohale ja kravige see käega kinni.
- Vajutage spindlilukustusnupp alla ja hoidke seda selles asendis.
- Keerake puurkroon sobiva lehtvõtmega kinni.
- Seejärel vabastage spindlilukustusnupp ja eemaldage lehtvõti.

6.7.6 **Traatharja paigaldamine 11**

- Eemaldage aku. → Lehekülj 91
- Paigaldage lisakäepide. → Lehekülj 91
- Paigaldage standardne kettakaitse.
- Asetage traathari kohale ja kravige see käega kinni.
- Vajutage spindlilukustusnupp alla ja hoidke seda selles asendis.
- Keerake traatharja sobiva lehtvõtmega kinni.
- Seejärel vabastage spindlilukustusnupp ja eemaldage lehtvõti.

6.7.7 **Fiberketta paigaldamine 12**

- Eemaldage aku. → Lehekülj 91
- Paigaldage lisakäepide. → Lehekülj 91
- Paigaldage standardne kettakaitse.
- Asetage tugitald ja fiiberketa kohale ja keerake kinnitusmutter kinni.
- Vajutage spindlilukustusnupp alla ja hoidke seda selles asendis.
- Pingutage kinnitusmutter otsvõtmega kinni.
- Seejärel vabastage spindlilukustusnupp ja eemaldage otsvõti.



7 Käsitsemine

7.1 Sisselülitamine

1. Vajutage toitelüliti tagumine osa alla.
2. Lükake toitelüliti ette.
 - ↳ Mootor töötab.
3. Lukustage toitelüliti.

7.2 Lihvimine

ETTEVAATUST

Vigastuste oht. Tarvik võib äkitselt blokeeruda või kinni kiiluda.

- ▶ Kasutage seadet alati koos lisakäepidemega ja hoidke seadet alati kahe käega.

7.3 Lõikamine

- ▶ Lõikamisel töötage mõõduka ettenihkega ja ärge kallutage seadet ega lõikeketast (töösens on lõiketase sandi suhtes ca 90° all).



Profiile ja väikesi nelikanttorusid on kõige parem lõigata, kui asetada lõikeketas väikseimal ristlõikele.

7.4 Lihvimine

ETTEVAATUST

Vigastuste oht. Lõikeketas võib puruneda ja laialipaiskuvad osad võivad tekitada vigastusi.

- ▶ Ärge kunagi kasutage lihvimiseks lõikeketaid.
- ▶ Liigutage seadet 5°–30° nurga all mõõduka survega edasi-tagasi.
 - ↳ Toorik ei lähe liiga kuumaks, ei muuda värvi ja ei teki kriimustusi.

7.5 Väljalülitamine

- ▶ Vajutage toitelüliti tagumine osa alla.
 - ↳ Toitelüliti läheb väljalülitatud asendisse ja mootor seiskub.

8 Hooldus ja korrashoid

HOIATUS

Vigastuste oht paigaldatud aku korral !

- ▶ Enne mis tahes hooldus- ja korrashoiutöid eemaldage seadmest aku!

Seadme hooldamine

- Eemaldage kõvasti kinni olev mustus ettevaatlikult.
- Eemaldage tolmufilter ja puhastage seda ning ventilatsioonivahendid ettevaatlikult kuiva harjaga.
- Puhastage korpust kergelt niiske lapiga. Ärge kasutage silikooni sisaldavaid hooldusvahendeid, sest need võivad kahjustada seadme plastdetalle.

Liitiumioonakude hooldus

- Hoidke aku puhas ja vaba õlist ja rasvast.
- Puhastage korpust kergelt niiske lapiga. Ärge kasutage silikooni sisaldavaid hooldusvahendeid, sest need võivad kahjustada seadme plastdetalle.
- Vältige vedeliku sissetungimist.

Korrashoid

- Kontrollige regulaarselt, kas kõik nähtavad osad on terved ja kas juhtelemendid toimivad veatult.
- Kahjustuste ja/või tõrgete korral ei tohi seadet kasutada. Laske tööriist kohe **Hilti** hooldekeskuses parandada.
- Pärast hooldus- ja korrashoiutöid paigaldage kõik kaitseseadised ja kontrollige nende toimivust.





Tööohutuse tagamiseks kasutage ainult originaalvaruosi ja -materjale. Teie tootega sobivaid ja meie poolt heakskiidetud varuosad, materjalid ja tarvikud leiate kauplusest **Hilti Store** või veebilehelt: www.hilti.group.

9 Akutööriistade transport ja ladustamine

Transport

ETTEVAATUST

Soovimatu käivitumine transportimisel !

- ▶ Transportige tooteid ilma akudeta!
- ▶ Eemaldage akud.
- ▶ Ärge kunagi transportige akusid lahtiselt.
- ▶ Pärast pikemat transporti kontrollige, kas tööriist või akud on saanud vigastusi.

Ladustamine

ETTEVAATUST

Defektsed akud või lekkivad akud võivad tekitada vigastusi !

- ▶ Kasutusvälisel ajal eemaldage seadmest aku!
- ▶ Hoidke seadet ja akusid võimalikult jahedas ja kuivas kohas.
- ▶ Ärge hoidke akusid kunagi päikese käes, küttekeha peal ega aknalaual.
- ▶ Hoidke seadet ja akusid lastele ja kõrvalistele isikutele ligipääsmatus kohas.
- ▶ Pärast pikemaajalist ladustamist kontrollige, kas tööriist või akud on saanud vigastusi.

10 Abi tõrgete puhul

Kui peaks esinema tõrge, mida ei ole järgmises tabelis nimetatud või mida Te ei suuda ise kõrvaldada, pöörduge **Hilti** hooldekeskusse.

10.1 Veaoosing

Tõrge	Võimalik põhjus	Lahendus
Aku tühjeneb tavalisest kiiremini.	Ümbriseva keskkonna väga madal temperatuur.	▶ Laske akul aeglaselt ruumitemperatuurile soojeneda.
Aku ei fikseeru kuuldava klõpsuga kohale.	Aku fiksaatorninad on määrdunud.	▶ Puhastage fiksaatorninad ja paigaldage aku uuesti.
1 LED-tuli vilgub. Seade ei tööta.	Aku on tühi.	▶ Vahetage aku välja ja laadige tühi aku täis.
	Aku on liiga kuum või liiga külm.	▶ Laske akul aeglaselt ruumitemperatuurile soojeneda või jahtuda.
Kõik 4 LED-tuld vilguvad. Seade ei tööta.	Seadmele avaldub ülekoormus.	▶ Vabastage juhtlülitit ja vajutage sellele uuesti. Seejärel laske seadmel ca 30 sekundit tühikäigul töötada.
Nurklühvmasin või aku läheb väga kuumaks.	Elektriline rike	▶ Lülitage seade kohe välja, eemaldage aku, jälgige seda, laske akul jahtuda ja võtke ühendust Hilti hooldekeskusega.
Seade ei tööta täisvõimsusel.	Paigaldatud on liiga väikese mahutavusega aku.	▶ Kasutage piisava mahtuvusega akut.
Mootori pidurdusfunktsioon ei toimi.	Aku on tühi.	▶ Vahetage aku välja ja laadige tühi aku täis.
	Tööriistale on lühiajaliselt avaldunud ülekoormus.	▶ Lülitage seade välja ja uuesti sisse.




11 RoHS (direktiiv ohtlike ainete kasutamise piirangute kohta)

Järgmiselt lingilt leiate ohtlike ainete tabeli: qr.hilti.com/r9884540.

RoHS-tabeli juurde viiva lingi leiate käesoleva dokumendi lõpust QR-koodina.

12 Utiliseerimine

 **Hilti** seadmed on suures osas valmistatud taaskasutatavatest materjalidest. Taaskasutuse eelduseks on materjalide korralik sorteerimine. Paljudes riikides kogub **Hilti** kasutusressursi ammendanud seadmed kokku. Lisateavet saate **Hilti** müügiesindusest.

Akude utiliseerimine

Asjatundmatu käitlemise korral võib akudest eralduda terviseohtlike gaase või vedelikke.

- ▶ Ärge saatke kahjustada saanud akusid posti teel!
- ▶ Lühise vältimiseks katke akukontaktid elektrit mittejuhtiva materjaliga.
- ▶ Käideldge akusid nii, et need ei satu laste kätte.
- ▶ Utiliseerige aku **Hilti Store** esinduses või pöörduge asjaomase jäätmekäitlusettevõtte poole.



- ▶ Ärge visake kasutusressursi ammendanud elektrilisi tööriistu, elektroonikaseadmeid ja akusid olmejäätmete hulka!
-

13 Tootja garantii

- ▶ Kui Teil on küsimusi garantiitingimuste kohta, pöörduge **Hilti** müügiesindusse.



1 Informācija par dokumentāciju

1.1 Par šo dokumentāciju

- Pirms ekspluatācijas sākšanas obligāti izlasiet šo dokumentāciju. Tas ir priekšnoteikums darba drošībai un izstrādājuma lietošanai bez traucējumiem.
- Ievērojiet drošības norādījumus un brīdinājumus, kas atrodami šajā dokumentācijā un uz izstrādājuma.
- Vienmēr glabājiet lietošanas instrukciju izstrādājuma tuvumā un nododiet to kopā ar izstrādājumu, ja tas tiek nodots citām personām.

1.2 Apzīmējumu skaidrojums

1.2.1 Brīdinājumi

Brīdinājumi pievērš uzmanību bīstamībai, kas pastāv, strādājot ar izstrādājumu. Tiek lietoti šādi signālvārdi:



BĪSTAMI!

BĪSTAMI! !

- ▶ Pievērš uzmanību draudošām briesmām, kas var izraisīt smagus miesas bojājumus vai nāvi.



BRĪDINĀJUMS!

BRĪDINĀJUMS! !

- ▶ Pievērš uzmanību iespējamam apdraudējumam, kas var izraisīt smagas traumas vai pat nāvi.



IEVĒROT PIESARDZĪBU!

UZMANĪBU! !

- ▶ Norāda uz iespējami bīstamām situācijām, kas var izraisīt vieglas traumas vai materiālos zaudējumus.

1.2.2 Dokumentācijā lietotie simboli

Šajā dokumentācijā tiek lietoti šādi simboli:



Pirms lietošanas izlasiet instrukciju



Norādījumi par lietošanu un cita noderīga informācija



Rīcība ar otrreiz pārstrādājamiem materiāliem



Neizmetiet elektroiekārtas un akumulatorus sadzīves atkritumos.

1.2.3 Attēlos lietotie simboli

Attēlos tiek lietoti šādi simboli:



Šis skaitļi norāda uz attiecīgajiem attēliem, kas atrodami šīs instrukcijas sākumā.



Numerācija attēlos atbilst veicamo darbību secībai un var atšķirties no darbību apraksta tekstā.



Pozīciju numuri tiek lietoti attēlā **Pārskats** un norāda uz leģendas numuriem sadaļā **Izstrādājuma pārskats**.



Šī simbola uzdevums ir pievērst īpašu uzmanību izstrādājuma lietošanas laikā.

1.3 Simboli atkarībā no izstrādājuma

1.3.1 Simboli uz izstrādājuma

Uz izstrādājuma tiek lietoti šādi simboli:



Lietojiet aizsargbrilles



n	Nominālais apgriezību skaits
/min	Apgriezību skaits minūtē
RPM	Apgriezību skaits minūtē
∅	Diametrs
---	Līdzstrāva
	Bezvadu datu pārnese
Li-Ion	Litija jonu akumulators
	Izmantotā Hilti litija jonu akumulatoru sērija. Ņemiet vērā informāciju, kas iekļauta nodaļā Nosacījumiem atbilstīga lietošana .

1.4 Izstrādājuma informācija

HILTI izstrādājumi ir paredzēti profesionāliem lietotājiem, un to darbināšanu, apkopi un tehniskā stāvokļa uzturēšanu drīkst veikt tikai kvalificēts, atbilstīgi apmācīts personāls. Personālam ir jābūt labi informētam par iespējamajiem riskiem, kas var rasties darba laikā. Izstrādājums un tā papildaprīkojums var radīt bīstamas situācijas, ja to uztic neprofesionālam personālam vai nelieto atbilstīgi nosacījumiem.

Iekārtas tipa apzīmējums un sērijas numurs ir norādīti uz identifikācijas datu plāksnītes.

- ▶ Ierakstiet sērijas numuru zemāk redzamajā tabulā. Izstrādājuma dati jānorāda, vēršoties mūsu pārstāvniecībā vai servisā.

Izstrādājuma dati

Leņķa slīpmašīna	AG 4S-A22
Paaudze	01
Sērijas Nr.	

1.5 Atbilstības deklarācija

Uzņemoties pilnu atbildību, mēs apliecinām, ka šeit aprakstītais izstrādājums atbilst šādām direktīvām un standartiem: Atbilstības deklarācijas attēls ir atrodams šīs dokumentācijas beigās.

Tehniskā dokumentācija ir saglabāta šeit:

Hilti Entwicklungsgesellschaft mbH | Zulassung Geräte | Hiltistraße 6 | 86916 Kaufering, DE

2 Drošība

2.1 Drošība

2.1.1 Vispārīgi drošības norādījumi par darbu ar elektroiekārtām

⚠ BRĪDINĀJUMS! Iepazīstieties ar visiem drošības norādījumiem, instrukcijām, attēliem un tehniskajiem parametriem, kas attiecas uz šo elektroiekārtu. Turpmāk izklāstīto instrukciju neievērošana var izraisīt elektrošoku, ugunsgrēku un/vai nopietnas traumas.

Saglabājiet visus drošības norādījumus un instrukcijas turpmākai lietošanai.

Drošības norādījumos lietotais apzīmējums "elektroiekārta" attiecas uz iekārtām ar tīkla barošanu (ar barošanas kabeli) vai iekārtām ar barošanu no akumulatora (bez kabeļā).

Drošība darba vietā

- ▶ **Uzturiet darba vietā tīrību un kārtību un nodrošiniet labu apgaismojumu.** Nekārtīgā darba vietā vai sliktā apgaismojumā var viegli notikt nelaimes gadījums.
- ▶ **Nestrādājiet ar elektroiekārtu sprādzienbīstamā vidē, kur atrodas uzliesmojoši šķidrumi, gāzes vai putekļi.** Darbības laikā elektroiekārtas mēdz dzirkstēlot, un tas var izraisīt viegli uzliesmojošu putekļu vai tvaiku aizdegšanos.
- ▶ **Lietojot elektroiekārtu, neļaujiet nepiederošām personām un jo īpaši bērniem tuvoties darba vietai.** Citu personu klātbūtne var novērst uzmanību, un tā rezultātā jūs varat zaudēt kontroli pār iekārtu.



Elektrodrošība

- ▶ **Elektroiekārtas kontaktdakšai jāatbilst elektrotīkla kontaktligzdai. Kontaktdakšas konstrukciju nedrīkst nekādā veidā mainīt. Kopā ar elektroiekārtām, kurām ir aizsargzemējums, nedrīkst lietot adapteru spraudņus.** Neizmaiņātas konstrukcijas kontaktdakša, kas atbilst kontaktligzdai, ļauj samazināt elektrošoka risku.
- ▶ **Darba laikā nepieskarieties sazemētiem priekšmetiem, piemēram, caurulēm, radiatoriem, plītvīm vai ledusskapjiem.** Pieskaroties sazemētām virsmām, pieaug risks saņemt elektrisko triecienu.
- ▶ **Nelietojiet elektroiekārtu lietus laikā, nēturiet to mitrumā.** Mitrumam iekļūstot elektroiekārtā, pieaug risks saņemt elektrisko triecienu.
- ▶ **Nenesiet un nepakariniet elektroiekārtu aiz barošanas kabeļa un neraujiet aiz kabeļa, ja vēlaties atvienot iekārtu no elektrotīkla kontaktligzdas. Sargājiet barošanas kabeli no karstuma, eļļas, asām šķautnēm vai kustīgām detaļām.** Bojāts vai sapīņķerējis barošanas kabelis var kļūt par cēloni elektrošokam.
- ▶ **Darbinot elektroiekārtu ārpus telpām, izmantojiet tās pievienošanai vienīgi tādus pagarinātājka-beļus, kas ir paredzēti lietošanai brīvā dabā.** Lietojot elektrokabeļi, kas ir piemērots darbam ārpus telpām, samazinās elektrošoka risks.
- ▶ **Ja elektroiekārtas izmantošana slapjā vidē ir obligāti nepieciešama, lietojiet bojājumstrāvas aizsargslēdzi.** Bojājumstrāvas aizsargslēdža lietošana samazina elektrošoka risku.

Personiskā drošība

- ▶ **Strādājiet ar elektroiekārtu uzmanīgi, darba laikā saglabājiet paškontroli un rīkojieties saskaņā ar veselo saprātu. Ar elektroiekārtu nedrīkst strādāt personas, kas ir nogurušas vai atrodas narkotiku, alkohola vai medikamentu ietekmē.** Mirkļis neuzmanības, strādājot ar elektroiekārtu, var novest pie nopietnām traumām.
- ▶ **Izmantojiet individuālos aizsardzības līdzekļus un darba laikā vienmēr valkājiet aizsargbrilles.** Individuālo aizsardzības līdzekļu (putekļu aizsargmaskas, neslīdošu apavu un aizsargķiveres vai ausu aizsargu) lietošana atbilstoši elektroiekārtas tipam un veicamā darba raksturam ļauj izvairīties no savainojumiem.
- ▶ **Nepieļaujiet iekārtas nekontrolētas ieslēgšanās iespēju. Pirms pievienošanas elektrotīklam, akumulatora ievietošanas, elektroiekārtas satveršanas vai pārvietošanas pārliecinieties, ka tā ir izslēgta.** Ja iekārtas pārvietošanas laikā pirksts atrodas uz slēdža vai ja ieslēgta iekārta tiek pievienota elektrotīklam, var notikt nelaimes gadījums.
- ▶ **Pirms elektroiekārtas ieslēgšanas jānoņem visi regulēšanas piederumi un uzgriežņu atslēgas.** Regulēšanas piederumi vai uzgriežņu atslēga, kas iekārtas ieslēgšanas brīdī atrodas iekārtā, var radīt traumas.
- ▶ **Izvairieties no nedabiskām pozām. Darba laikā vienmēr saglabājiet līdzsvaru un nodrošinieties pret paslīdēšanu.** Tas atvieglos elektroiekārtas vadību neparedzētās situācijās.
- ▶ **Izvēlieties darbam piemērotu apģērbu. Darba laikā nenēsājiet brīvi plandošas drēbes un rotaslietas. Netuviniet matus, apģērbu un aizsargcimdus iekārtas kustīgajām daļām.** Vaļīgas drēbes, rotaslietas un gari mati var ieķerties iekārtas kustīgajās daļās.
- ▶ **Ja elektroiekārtas konstrukcija ļauj pievienot putekļu nosūkšanas vai savākšanas ierīci, sekojiet, lai tā būtu pievienota un tiktu darbināta pareizi.** Putekļu nosūcēja lietošana samazina putekļu kaitīgo ietekmi.
- ▶ **Nezaudējiet modrību un neatkāpieties no elektroiekārtu lietošanas drošības noteikumu ievērošanas arī tad, ja lietojat attiecīgo elektroiekārtu bieži un kārtīgi to pārzināt.** Neuzmanība vienā sekundes daļā var novest pie smagām traumām.

Elektroiekārtas lietošana un apkope

- ▶ **Nepārslodojiet elektroiekārtu. Katram darbam izvēlieties piemērotu iekārtu.** Elektroiekārta darbosies labāk un drošāk pie nominālās slodzes.
- ▶ **Nelietojiet elektroiekārtu, ja ir bojāts tās slēdzis.** Elektroiekārta, ko nevar ieslēgt un izslēgt, ir bīstama un nekavējoties jānodod remontā.
- ▶ **Pirms iestatījumu veikšanas, aprīkojuma daļu nomaiņas vai iekārtas novietošanas uzglabāšanā atvienojiet kontaktdakšu no elektrotīkla un/vai noņemiet noņemamo akumulatoru.** Šādi jūs novērsīsiet elektroiekārtas nejaušas ieslēgšanās risku.
- ▶ **Elektroiekārtu, kas netiek darbināta, uzglabājiet piemērotā vietā. Neļaujiet lietot iekārtu personām, kas nav iepazinušas ar tās funkcijām un izlasījušas šo lietošanas instrukciju.** Ja elektroiekārtu lieto nekompetentas personas, tas var apdraudēt cilvēku veselību.
- ▶ **Rūpīgi veiciet elektroiekārtu un to piederumu apkopi. Pārbaudiet, vai kustīgās daļas darbojas bez traucējumiem un neķeras un vai kāda no daļām nav salauzta vai bojāta un tādējādi netraucē elektroiekārtas nevainojamu darbību. Rauģieties, lai pirms iekārtas lietošanas tiktu nomainītas**



vai saremontētas bojātās daļas. Daudzi nelaiemes gadījumi notiek tāpēc, ka elektroiekārtām nav nodrošināta pareiza apkope.

- ▶ **Griezējinstrumentiem vienmēr jābūt uzasinātiem un tīriem.** Rūpīgi kopti griezējinstrumenti ar asām šķautnēm retāk iestrēgst un ir vieglāk vadāmi.
- ▶ **Lietojiet elektroiekārtu, piederumus, maināmos instrumentus utt. saskaņā ar šiem norādījumiem. Jāņem vērā arī konkrētie darba apstākļi un veicamās operācijas īpatnības.** Elektroiekārtu lietošana citiem mērķiem, nekā to ir paredzējis ražotājfirma, ir bīstama un var izraisīt neparedzamas sekas.
- ▶ **Raugieties, lai rokturu un satveršanas virsmas būtu sausas, tīras, nenotraipītas ar eļļu un smērvielām.** Ja rokturu vai satveršanas virsmas ir slidenas, nav iespējama droša elektroiekārtas vadība un kontrole neparedzamās situācijās.

Ar akumulatoru darbināmas iekārtas lietošana un apkope

- ▶ **Akumulatora uzlādei jālieto tikai ražotāja ieteiktie lādētāji.** Noteikta veida akumulatoriem paredzēts lādētājs kļūst ugunsbīstams, ja to izmanto ar cita veida akumulatoriem.
- ▶ **Izmantojiet elektroiekārtas barošanai tikai tai paredzētos akumulatorus.** Cita tipa akumulatoru lietošana var izraisīt iekārtas un/vai akumulatora aizdegšanos.
- ▶ **Laikā, kad akumulators ir atvienots no iekārtas, nepieļaujiet tā kontaktu saskaršanos ar saspaudēm, monētām, atslēgām, naglām, skrūvēm vai citiem nelieliem metāla priekšmetiem, kas varētu izraisīt īssavienojumu.** Ja starp akumulatora kontaktiem rodas īssavienojums, tas var sadegt vai kļūt par ugunsgrēka cēloni.
- ▶ **Nepareizi lietojot akumulatoru, no tā var izplūst šķidrums. Nepieļaujiet tā nokļūšanu uz ādas. Ja tas tomēr nejausi ir noticis, noskalojiet ar ūdeni. Ja šķidrums iekļūst acīs, izskalojiet acis un nekavējoties vērsieties pie ārsta.** No akumulatora izplūdušais šķidrums var izraisīt ādas kairinājumu vai apdegumus.
- ▶ **Nelietojiet bojātus vai modificētus akumulatorus.** Bojāti vai modificēti akumulatori var radīt neparedzamas situācijas un izraisīt ugunsgrēku, eksploziju vai traumas.
- ▶ **Nepaļaujiet akumulatoru uguns vai augstas temperatūras iedarbībai.** Uguns vai temperatūra virs 130 °C (265 °F) var izraisīt eksploziju.
- ▶ **Ievērojiet norādījumus par akumulatora lādēšanu un nekad nelādējiet akumulatoru vai ar akumulatoru darbināmo iekārtu ārpus lietošanas instrukcijā norādītā temperatūras diapazona.** Nepareiza lādēšana vai pieļaujamā temperatūras diapazona pārsniegšana var sabojāt akumulatoru un palielināt aizdegšanās risku.

Serviss

- ▶ **Uzdodiet elektroiekārtas remontu veikt tikai kvalificētam personālam, kas izmanto vienīgi oriģinālās rezerves daļas.** Tikai tā ir iespējams saglabāt iekārtas funkcionālo drošību.
- ▶ **Nekādā gadījumā neveiciet bojātu akumulatoru apkopi.** Jebkādus akumulatoru apkopes darbus drīkst veikt tikai ražotājs vai atbilstīgi pilnvarots klientu apkalpošanas dienests.

2.1.2 Vispārīgi drošības norādījumi, kas jāievēro, slīpējot, lietojot smilšpapīru, strādājot ar stiepli birstēm, veicot pulēšanas un griešanas darbus

- ▶ **Šī elektroiekārta ir paredzēta slīpēšanai ar ripām un smilšpapīru, kā arī darbam ar stiepli birstēm un abrazīvajai griešanai. Ievērojiet visus drošības norādījumus, instrukcijas, attēlus un datus, kas saņemti kopā ar iekārtu.** Šādu norādījumu neievērošana var kļūt par cēloni elektrotraumām, ugunsgrēkam un / vai smagiem savainojumiem.
- ▶ **Šī elektroiekārta nav paredzēta pulēšanai.** Elektroiekārtas izmantošana mērķiem, kam tā nav paredzēta, var izraisīt bīstamas situācijas un traumas.
- ▶ **Nelietojiet nekādu papildu aprikojumu, ja tā lietošanu kopā ar konkrēto elektroiekārtu nav paredzējis un ieteicis iekārtas ražotājs.** Tas vien, ka aprikojumu ir iespējams nostiprināt jūsu elektroiekārtā, vēl nenozīmē, ka tiek garantēta drošība.
- ▶ **Iekārtā nostiprināmā instrumenta pieļaujamajam rotācijas ātrumam jābūt vismaz tikpat lielam kā uz iekārtas norādītajam maksimālajam rotācijas ātrumam.** Ja instrumentu rotācijas ātrums pārsniedz pieļaujamo, tie var salūzt un aizlidot.
- ▶ **Iekārtā nostiprināmā instrumenta ārējam diametram un biežumam jāatbilst norādītajiem elektroiekārtas parametriem.** Instrumentus ar neatbilstīgiem parametriem nav iespējams pietiekami nosegt vai kontrolēt.
- ▶ **Maināmajiem instrumentiem ar vītnes kātu precīzi jāatbilst slīpēšanas vārpstas vītnei.** Maināmajiem instrumentiem, kas tiek montēti ar atloksavienojuma palīdzību, instrumenta atveres diametram jāatbilst atloka iestiprināšanas diametram. Darba instrumenti, kas netiek stiprināti tieši pie elektroiekārtas, var rotēt nevienmērīgi, spēcīgi vibrēt un izraisīt kontroles zudumu.
- ▶ **Nelietojiet bojātās elektroiekārtas.** Pirms katras lietošanas reizes pārbaudiet, vai nostiprināmajiem instrumentiem, piemēram, slīpīpām, nav atdalījušās šķembas un radušās plaisas, slīpēšanas



diskiem nav radušās plaisas vai izteiktas nodiluma vai nolietojuma pazīmes un stieplu birstēm nav atdalījušās vai salūzušās atsevišķas stieples. Ja elektroiekārta vai nostiprināmais instruments nokrīt zemē, pārbaudiet, vai nav radušies bojājumi, un šaubu gadījumā lietojiet citu instrumentu. Pēc tam, kad esat instrumentu pārbaudījuši un nostiprinājuši iekārtā, ļaujiet iekārtai vienu minūti darboties ar maksimālo rotācijas ātrumu, nodrošinot, lai ne jūs, ne citas personas neatrastos rotējošā instrumenta kustības zonā. Ja nostiprinātais instruments ir bojāts, tas vairumā gadījumu salūst jau testa laikā.

- ▶ **Valkājiet individuālo aizsargapriekojumu.** Atkarībā no darba veida lietojiet pilnu sejas masku, pusmasku vai aizsargbrilles. Ja nepieciešams, valkājiet masku ar putekļu filtru, ausiņas vai ausu aizbāžņus, aizsargcimdus vai speciālu priekšautu, kas pasargā no slīpēšanas putekļiem un sīkām materiāla daļiņām. Sargājiet acis no svešķermeņiem, kas dažādu darbu laikā var atdalīties no apstrādājamā materiāla. Respiratoram vai maskai jānodrošina darba laikā radīto putekļu filtrēšana. Ilgstoša spēcīga trokšņa iedarbība var izraisīt dzirdes traucējumus.
- ▶ **Pievērsiet uzmanību tam, lai darba zonai netuvotos citi cilvēki. Visiem, kas uzturas darba zonā, jāvalkā atbilstošs individuālais aizsargapriekojums.** Apstrādājamā materiāla šķembas vai salūzušā instrumenta daļas var apdraudēt cilvēkus arī ārpus tiešās darba veikšanas zonas.
- ▶ **Ja darba laikā pastāv iespēja, ka elektroiekārtā nostiprinātais instruments var nonākt saskarē ar apslēptiem elektriskajiem vadiem, vienmēr satveriet iekārtu tikai aiz izolētajām rokturu virsmām.** Saskaņoties ar spriegumam pieslēgtiem vadiem, spriegums tiek novadīts uz iekārtas metāla daļām, radot elektrošoka risku.
- ▶ **Sargājiet iekārtas barošanas kabeli no rotējošiem instrumentiem.** Ja jūs zaudējat kontroli pār iekārtu, instruments var pārraut vai aizķert barošanas kabeli, kā rezultātā jūsu roka var tikt ierauta instrumenta darbības zonā un saskarties ar to.
- ▶ **Nekad nenolieciet iekārtu, kamēr nav pilnībā apstājies tajā nostiprinātā instrumenta kustība.** Rotējošais instruments var saskarties ar virsmu, uz kuras novietota iekārta, un jūs zaudēsiet kontroli pār elektroiekārtu.
- ▶ **Nekādā gadījumā nepārmēsājiet iedarbinātu elektroiekārtu.** Rotējošais darba instruments var nejaūši nonākt saskarē ar jūsu apģērbu un izraisīt traumas.
- ▶ **Regulāri iztīriet elektroiekārtas ventilācijas atveres.** Motora ventilators ierauj putekļus iekārtas korpusā, tādēļ pastiprināta metāla putekļu uzkrāšanās var mazināt iekārtas elektrodrošību.
- ▶ **Nelietojiet elektroiekārtu degošu materiālu tuvumā.** Dzirksteles var izraisīt aizdegšanos.
- ▶ **Nelietojiet iekārtā darba instrumentus, kam nepieciešama dzesēšanas emulsija.** Ūdens vai citu dzesēšanas šķidrumu lietošana var kļūt par cēloni elektrošokam.

Atsitiens un ar to saistītie drošības norādījumi

Atsitiens ir negaidīta reakcija uz rotējoša instrumenta, piemēram, slīpripas, pulēšanas diska vai tērauda birstes u.c., ieķeršanos vai nobloķēšanos. Ja instruments ieķeras vai nobloķējas, nekavējoties tiek apstādināta tā rotācijas kustība. Tā rezultātā nepietiekami kontrolēta elektroiekārta tiek pakļauta straujam paātrinājumam triecienam, kas darbojas pretēji rotējošā instrumenta kustības virzienam.

Piemēram, ja slīpripa ieķeras apstrādājamā materiālā vai nobloķējas, materiālā iegremdētā rīpas mala var iestrēgt, izraisot slīpripas izlaušanu un radot atsitienu. Šādā gadījumā slīpripas kustība ir pavērsta pret iekārtas lietotāju vai pretēji virzienā – atkarībā no slīpripas rotācijas virziena nobloķēšanās vietā. Rezultātā slīpripa var arī salūzt.

Atsitiens ir nepareizas vai neatbilstīgas elektroiekārtu izmantošanas sekas. No tā ir iespējams izvairīties, ievērojot turpmāk aprakstītos drošības pasākumus.

- ▶ **Satveriet elektroiekārtu kārtīgi un ieņemiet tādu ķermeņa pozu un turiet rokas tā, lai nepieciešamības gadījumā varētu droši reaģēt uz atsitienu spēku.** Ja iekārtai ir paredzēts papildu rokturis, tas vienmēr jālieto, lai nodrošinātu maksimālu kontroli pār eventuālo atsitienu spēku, ko rada paātrinājums, iekārtā uzņemot apgrībienu. Ja iekārtas lietotājs veic atbilstošus piesardzības pasākumus, viņš spēj adekvāti reaģēt uz atsitienu un paātrinājuma spēkiem.
- ▶ **Nekādā gadījumā netuviniet rokas rotējošiem instrumentiem.** Atsitienu gadījumā instruments var savainot jūsu rokas.
- ▶ **Nostājieties tā, lai jūsu ķermenis neatrastos iespējamā atsitienu iedarbības zonā.** Elektroiekārtas piedziņa instrumenta nobloķēšanās gadījumā izraisīs slīpripas atsitienu pretēji tās kustības virzienam.
- ▶ **Īpaša piesardzība jāievēro, strādājot asu šķautņū un stūru tuvumā u.tml. vietās. Nepieļaujiet iespēju, ka iekārtā nostiprinātais instruments var atsīties atpakaļ no apstrādājamā materiāla un iestrēgt.** Stūros, pie šķautnēm vai atsisāšanās gadījumā rotējošajam instrumentam piemīt tendence iestrēgt. Tā rezultātā var zust kontrole pār iekārtu vai rasties spēcīgs atsitiens.
- ▶ **Nelietojiet ķēdes zāgus vai zobainos zāgu asmeņus.** Šādi instrumenti bieži rada atsitienu vai mazina kontroli pār elektroiekārtu.



Īpaši drošības norādījumi par slīpēšanu un abrazīvo griešanu

- ▶ **Kopā ar elektroiekārtu izmantojiet tikai konkrētai iekārtai paredzētus slīpēšanas materiālus un kopā ar tiem lietojamo drošības pārsegu.** Slīpēšanas materiāls, kas nav paredzēti konkrētai elektroiekārtai, nav iespējams pietiekami nodrošināt, tādēļ tie var radīt bīstamas situācijas.
- ▶ **Liektais slīpripas jāuzmontē tā, lai slīpēšanas plakne nebūtu izvirzīta ārpus drošības pārsega malas.** Ja slīpripa nav uzmontēta pareizi un ir izvirzīta ārpus drošības pārsega malas, to nav iespējams aizsardzības nolūkā pietiekami aizsegt.
- ▶ **Drošības pārsegam jābūt kārtīgi nostiprinātam pie elektroiekārtas un, lai garantētu maksimālu drošību, iestatītam tā, lai iespējami neliela slīpēšanas instrumenta daļa būtu vajējā veidā pavērsta pret iekārtas lietotāju.** Drošības pārsegs palīdz pasargāt iekārtas lietotāju no lidojošām atlūzām, nejaušas saskares ar slīpēšanas instrumentu, kā arī dzirkstelēm, kas var izraisīt apģērba aizdegšanos.
- ▶ **Slīpēšanas materiālus drīkst izmantot tikai norādītajiem lietojuma veidiem. Piemēram: nelietojiet griezējripas slīpēšanai.** Griezējripas ir paredzētas materiāla kārtas noņemšanai ar ripas malu. Ja uz šādiem slīpēšanas materiāliem iedarbojas spēks no sāniem, tie var salūzt.
- ▶ **Izvēlētās slīpripas nostiprināšanai vienmēr izmantojiet nebojātus fiksācijas atlokus ar atbilstīgiem izmēriem un formu.** Piemēroti atloki pareizi atbalsta slīpripu un tādējādi samazina ripas salūšanas risku. Griezējripu nostiprināšanai paredzētie fiksācijas atloki var atšķīrties no citu slīpripu atloka stiprinājumiem.
- ▶ **Neizmantojiet nolietotas slīpripas, kas pirms tam izmantotas kopā ar lielākām elektroiekārtām.** Lielākā izmēra elektroiekārtu slīpripas nav paredzētas mazo elektroiekārtu lielajam rotācijas ātrumam un tādēļ var salūzt.

Citi īpaši drošības norādījumi par abrazīvo griešanu

- ▶ **Nepieļaujiet griezējripas nobloķēšanos un neizdariet uz to pārāk lielu spiedienu. Neveiciet pārmērīgi dziļus griezumus.** Griezējripas pārslodze palielina spēkus, kas uz to iedarbojas, un sasvēršanās vai nobloķēšanās iespēju, kā rezultātā atbilstoši palielinās arī atsitiena un slīpēšanas materiāla salūšanas risks.
- ▶ **Izvairieties uzturēties rotējošās griezējripas priekšpusē un aiz tās.** Ja jūs virzāt griezējripu apstrādājamā materiālā tieši prom no sevis, atsitiena gadījumā elektroiekārtas centrālās spēka iedarbībā tiks uzgrūsta jums virsū.
- ▶ **Ja griezējripa iestrēgst vai ja vēlaties pārtraukt darbu, izslēdziet iekārtu un turiet to mierīgi, līdz ripas rotācija pilnībā apstājas. Nekādā gadījumā nemēģiniet izvilk griezējripu no griezuma vietas, kamēr tā vēl rotē, jo tas var izraisīt atsitieni.** Atrodiet un novērsiet iestrēgšanas cēloni.
- ▶ **Nemēģiniet no jauna ieslēgt iekārtu, kamēr instruments atrodas materiālā. Vispirms ļaujiet griezējripai sasniegt pilnu apgriezīgu skaitu un tikai pēc tam varat uzmanīgi turpināt griezumu.** Pretējā gadījumā ripa var iestrēgt, atlekt no apstrādājamā materiāla un izraisīt atsitieni.
- ▶ **Lai novērstu iestrēgšanas griezējripas atsitiena risku, plāksnes vai citas liela izmēra apstrādājamās detaļas atbilstoši jāatbalsta.** Liela izmēra detaļas var izliekties pašas no sava svara. Detaļa jāatbalsta abās ripas pusēs, turklāt gan griezuma tuvumā, gan pie ārmaslas.
- ▶ **Ievērojiet īpašu piesardzību, izdarot "iegremdētus iegriezumus" esošās sienās vai citās nepāredzamās vietās.** Iegremdēšanas laikā griezējripa var saskarties ar gāzes vai ūdensvada caurulēm, elektroinstalācijām vai citiem iestrādātiem objektiem un izraisīt atsitieni.

Īpaši drošības norādījumi par slīpēšanu ar smilšpapīru

- ▶ **Ievērojiet ražotāja norādījumus par smilšpapīra ripu izmēriem un nelietojiet pārāk liela izmēra smilšpapīra ripas.** Ja smilšpapīra izmēri pārsniedz slīpmašīnas diska izmērus, iespējams traumas, smilšpapīra ripas saplīšana vai iekārtas atsitieni.

Īpaši drošības norādījumi par darbu ar stieplu birstēm

- ▶ **Ņemiet vērā, ka no stieplu birstēm arī parastas lietošanas laikā atdalās stieples gabaliņi. Nepārslogojiet stieples, izdarot uz birsti pārāk spēcīgu spiedienu.** Atdalījušies stieples gabaliņi var iedurties plānā apģērbā un/vai ādā.
- ▶ **Ja ir paredzēts lietot drošības pārsegu, neļaujiet tam nonākt saskarē ar stieplu birsti.** Diskveida un kausveida birstēm piespiešanas spiediena un centrālās spēku iedarbībā var palielināties diametrs.

2.1.3 Papildnorādījumi par drošību**Personiskā drošība**

- ▶ Lietojiet izstrādājumu tikai tad, ja tas ir tehniski nevainojamā stāvoklī.
- ▶ Nekādā gadījumā neveiciet ar iekārtu neatļautas manipulācijas un nemēģiniet to pārveidot.
- ▶ Izvairieties no saskares ar rotējošām daļām. Traumu risks!
- ▶ Arī instrumenta maiņas laikā valkājiet aizsargcimdus. Saskare ar maināmo instrumentu var izraisīt grieztas traumas un apdegumus.



- ▶ Pirms darba sākšanas noskaidrojiet darba laikā radušos putekļu bīstamības kategoriju. Lietojiet celtniecības putekļsūcēju ar oficiālas sertifikācijas ietvaros piešķirtu drošības klasifikāciju, kas atbilst vietējiem putekļu ietekmes ierobežošanas normatīviem. Putekļi, ko rada tādi materiāli kā, piemēram, svīnu saturoša krāsa, dažādi koknes veidi, betons / mūris / kvarcu saturoši akmeņi, minerāli un metāls, var būt kaitīgi veselībai.
- ▶ Nodrošiniet darba vietā labu ventilāciju un, ja nepieciešams, valkājiet elpceļu aizsargmasku, kas aizsargā pret attiecīgā veida putekļiem. Saskaņā ar šiem putekļiem vai to ieelpošana var izraisīt lietotāja vai citu tuvumā esošo personu alerģiskas reakcijas un/vai elpceļu saslimšanas. Noteikti putekļu veidi, piemēram, ozola un skābarža koknes putekļi, tiek uzskatīti par kancerogēniem – jo īpaši kopā ar kokapstrādē izmantojamām vielām (hromātiem, koknes aizsarglīdzekļiem). Azbestu saturošus materiālus drīkst apstrādāt tikai kompetenti speciālisti.
- ▶ Darba pārtraukumos izpildiet pirkstu vingrinājumus, kas uzlabo asinsriti. Ilgstoša darba gadījumā vibrācija var radīt traucējumus pirkstu, roku vai plaukstu locītavu asinsvadu un nervu sistēmas funkcijās.

Elektrodrošība

- ▶ Pirms darba sākšanas pārbaudiet, vai darba zonā neatrodas neseģti elektrības vadi, gāzes vai ūdensapgādes caurules. Nejausi sabojājot zem sprieguma esošus vadus, iekārtas ārējās metāla daļas var izraisīt elektrošoku.

Rūpīga elektroiekārtu lietošana un apkope

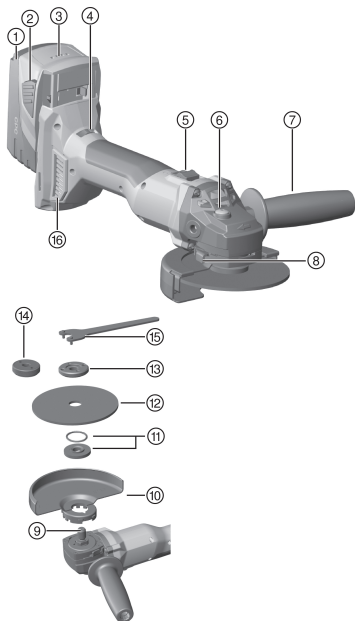
- ▶ Nelietojiet griezējriepas raupjajai slīpēšanai.
- ▶ Stingri pievelciet darba instrumentu un atloka stiprinājumu. Ja darba instruments un atloka stiprinājums netiek stingri pievilkti, pastāv iespēja, ka pēc izslēgšanas darba instruments iekārtas motora bremsēšanas rezultātā atdalās no vārpstas.
- ▶ Ievērojiet ražotāja norādījumus par slīpripu lietošanu un uzglabāšanu.

2.1.4 Akumulatoru pareiza lietošana un apkope

- ▶ Ievērojiet īpašos norādījumus par litija jonu akumulatoru transportēšanu, uzglabāšanu un ekspluatāciju.
- ▶ Sargājiet akumulatorus no augstas temperatūras, tiešiem saules stariem un uguns.
- ▶ Akumulatorus nedrīkst izjaukt, saspiest, sakarsēt virs 80 °C vai sadedzināt.
- ▶ Nemēģiniet izmantot vai uzlādēt akumulatorus, kas bijuši pakļauti triecienam, krituši no vairāk nekā viena metra augstuma vai ir citā veidā bojāti. Šādā gadījumā vienmēr vērsieties savā **Hilti servisā**.
- ▶ Ja akumulators kļūst pārāk karsts, iespējams, ka tas ir bojāts. Novietojiet iekārtu pietiekamā attālumā no degošiem materiāliem, vietā, kur nevar notikt aizdegšanās un kur to iespējams pastāvīgi novērot, un ļaujiet tai atdzist. Šādā gadījumā vienmēr vērsieties savā **Hilti servisā**.



3.1 Izstrādājuma pārskats 1



- ① Akumulators
- ② Akumulatora atbloķēšanas taustiņš
- ③ Uzlādes līmeņa indikācija
- ④ Ātruma regulēšana
- ⑤ Ieslēgšanas un izslēgšanas slēdzis
- ⑥ Vārpstas bloķēšanas taustiņš
- ⑦ Sānu rokturis
- ⑧ Pārsega atbloķēšanas taustiņš
- ⑨ Vārpsta
- ⑩ Standarta drošības pārsegs
- ⑪ Fiksācijas atloks ar apaļa šķērs griezuma gredzenu
- ⑫ Abrāzivā griezējripa / raupjās slīpēšanas riņa
- ⑬ Fiksācijas uzgrieznis
- ⑭ Ātrās fiksācijas uzgrieznis **Kwik lock** (opcija)
- ⑮ Fiksācijas atslēga
- ⑯ Putekļu filtrs

3.2 Nosacījumiem atbilstīga lietošana

Aprakstītais izstrādājums ir manuāli vadāma, ar akumulatoru darbināma leņķa slīpmašīna. Tā ir paredzēta metāla un minerālu materiālu abrazīvai griešanai un raupjai slīpēšanai, apstrādei ar birsti, slīpēšanai ar smilšpapīru, kā arī flīžu urbšanai bez ūdens pievadīšanas. To drīkst lietot tikai griešanai / slīpēšanai sausā veidā.

- Minerālu materiālu griešana, rievošana un slīpēšana ir atļauta tikai tad, ja tiek izmantots atbilstīgs drošības pārsegs (iegādājams papildus).
- Apstrādājot minerālu materiālus, piemēram, betonu vai akmeni, jāizmanto putekļu nosūkšanas pārsegs ar atbilstīgu **Hilti** sistēmas putekļu nosūcēju.
- ▶ Lietojiet šī izstrādājuma barošanai tikai sērijas B 22 **Hilti** litija jonu akumulatorus.
- ▶ Lietojiet šo akumulatoru uzlādēšanai tikai sērijas C4/36 **Hilti** lādētājus.

3.3 Piegādes komplektācija

Leņķa slīpmašīna, sānu rokturis, standarta drošības pārsegs, priekšējais pārsegs, fiksācijas atloks, fiksācijas uzgrieznis, fiksācijas atslēga, putekļu filtrs, lietošanas instrukcija.

Citus šim izstrādājumam izmantojamus sistēmas produktus meklējiet **Hilti Store** vai tīmekļvietnē www.hilti.group.

3.4 ATC

Iekārta ir aprīkota ar elektronisku paštrinātas izslēgšanās funkciju ATC (Active Torque Control).

Ja darba instruments nobloķējas vai iestrēgst, iekārta pēkšņi un nekontrolēti pagriežas pretējā virzienā. ATC identificē šo pēkšņo pagrieziena kustību un nekavējoties izslēdz iekārta.





Lai iekārta darbotos nevainojami, nedrīkst būt traucēta tās rotācija.
Pēc iekārtas paātrinātas izslēgšanās izslēdziet un vēlreiz ieslēdziet to.

3.5 Iekārtas termiskā aizsardzība

Motora termiskās aizsardzības sistēma kontrolē ieejas strāvu un motora sasilšanas procesu, tādējādi pasargājot iekārtu no pārkaršanas.

Ja pārāk liela piespiešanas spēka rezultātā notiek motora pārslodze, motora jauda ievērojami samazinās vai iekārtas darbība apstājas pavissam.

Ja pārslodzes dēļ apstājas iekārtas darbība vai samazinās apgriezīenu skaits, iekārta jāatbrīvo no slodzes un aptuveni 30 sekundes jādarbina tukšgaitā.

3.6 Drošības pārsegs ar priekšējo aizsargu 2

Apstrādājot metāla materiālus, raupjajai slīpēšanai ar taisnām slīpripām un griešanai ar abrazīvajām griezējripām jālieto standarta drošības pārsegs ar priekšējo pārsegu.

3.7 Putekļu pārsegs (griešanai) DC-EX 125/5" C kompaktais pārsegs (papildaprīkojums) 3

Minerālu materiālu abrazīvajai griešanai ar dimanta griezējripām jālieto kompaktais pārsegs DC-EX 125/5" C. Metālapstrādes darbu veikšana ar šo pārsegu ir aizliegta.

3.8 Putekļu pārsegs (rievošanai) DC-EX 125/5" M (papildaprīkojums) 4

Minerālu materiālu abrazīvās griešanas un rievošanas darbus ar dimanta griezējripām un slīpripām drīkst veikt tikai tad, ja ir uzmontēts putekļu pārsegs.

UZMANĪBU! Apstrādājot metālus, šī pārsega lietošana ir aizliegta.

3.9 Putekļu pārsegs (slīpēšanai) DG-EX 125/5" (papildaprīkojums) 5

Slīpēšanas sistēma ir izmantojama, lai ar to tikai atsevišķos gadījumos slīpētu minerālus materiālus, izmantojot kausveida dimanta slīpripas.

Metālapstrādes darbu veikšana ar šo pārsegu ir aizliegta.

3.10 Litija jonu akumulatora uzlādes līmeņa indikācija

Litija jonu akumulatora uzlādes līmeni iespējams apskatīties, īsi nospiežot vienu no akumulatora atbloķēšanas taustiņiem.

Statuss	Nozīme
4 LED deg.	Uzlādes līmenis: no 75 % līdz 100 %
3 LED deg.	Uzlādes līmenis: no 50 % līdz 75 %
2 LED deg.	Uzlādes līmenis: no 25 % līdz 50 %
1 LED deg.	Uzlādes līmenis: no 10 % līdz 25 %
1 LED mirgo.	Uzlādes līmenis: < 10 %



Darba laikā un uzreiz pēc tā pabeigšanas uzlādes līmeņa nolasišana nav iespējama. Ja mirgo akumulatora uzlādes līmeņa indikācijas LED, lūdzu, sekojiet nodaļas "Traucējumu diagnostika" norādījumiem.

4 Patēriņa materiāli

Drīkst izmantot tikai ripas ar sintētisko sveķu saistvielu un šķiedru armējumu, kas paredzētas maks. Ø 125 mm un atļautas lietošanai ar rotācijas ātrumu vismaz 11000 apgr./min un aploces ātrumu 80 m/s.

Raupjās slīpēšanas ripas biežumam jābūt maks. 6,4 mm un abrazīvās griezējripas biežumam maks. 3,0 mm.

UZMANĪBU! Veicot griešanu un rievošanu ar abrazīvajām griezējripām, vienmēr lietojiet standarta drošības pārsegu ar papildu priekšējo aizsargu vai pilnībā noslēgtu putekļu pārsegu.



Ripas

Tips	Lietošana	Saīsinājums	Virsmā
Abrazīva griezējripa	Griešana, rievošana	AC-D	metāla
Dimanta griezējripa	Griešana, rievošana	DC-TP, DC-D (SPX, SP, P)	minerāla
Abrazīva raupjās slīpēšanas riņa	Raupjā slīpēšana	AG-D, AF-D, AN-D	metāla
Dimanta raupjās slīpēšanas riņa	Raupjā slīpēšana	DG-CW (SPX, SP, P)	minerāla
Stieplu birste	Stieplu birstes	3CS, 4CS, 3SS, 4SS	metāla
Dimanta vainagurbis	Flīžu urbšana	DD-M14	minerāla
Šķiedras riņa	Raupjā slīpēšana	AP-D	metāla

Ripu atbilstība izmantojamajam aprīkojumam

Poz.	Aprīkojums	AC-D	AG-D, AF-D, AN-D	DG-CW (SPX, SP, P)	DC-TP, DC-D (SPX, SP, P)	AP-D	3CS, 4CS, 3SS, 4SS, DD-M14
A	Drošības pārsegs	X	X	X	X	X	X
B	Priekšējais pārsegs (kopā ar A)	X	—	—	X	—	—
C	Putekļu pārsegs (slīpēšanai) DG-EX 125/5"	—	—	X	—	—	—
D	Putekļu pārsegs (griešanai) DC-EX 125/5"C (kopā ar A)	—	—	—	X	—	—
E	Putekļu pārsegs (rievošanai) DC-EX 125/5"M	—	—	—	X	—	—
F	Adapters DC-EX SL (kopā ar E)	—	—	—	X	—	—
G	Sānu rokturis	X	X	X	X	X	X
H	Fiksācijas uzgrieznis	X	X	X	X	—	—
I	Fiksācijas atloks	X	X	X	X	—	—
J	Kwik lock (opcija kopā ar H)	X	X	—	X	—	—
K	Fiksācijas uzgrieznis šķiedras riņķim	—	—	—	—	X	—
L	Atbalsta disks	—	—	—	—	X	—

5 Tehniskie parametri

	AG 4S-A22-125
Nominālais spriegums	21,6 V
Nominālais apgriezienu skaits	8 500 apgr./min
Ripas maksimālais diametrs	125 mm
Svars saskaņā ar EPTA procedūru 01	3,1 kg
Piedziņas vārpstas vītne	M14
Vārpstas garums	22 mm
Apkārtējā temperatūra darbības laikā	-17 °C ... 60 °C
Uzglabāšanas temperatūra	-20 °C ... 70 °C



5.1 Tehniskie parametri

Vārpstas garums	22 mm
Apkārtējā temperatūra darbības laikā	-17 °C ... 60 °C
Uzglabāšanas temperatūra	-20 °C ... 70 °C

5.2 Akumulators

Akumulatora darba spriegums	21,6 V
Apkārtējā temperatūra darbības laikā	-17 °C ... 60 °C
Uzglabāšanas temperatūra	-20 °C ... 40 °C
Akumulatora temperatūra uzlādes sākumā	-10 °C ... 45 °C

5.3 Informācija par troksni un vibrāciju saskaņā ar EN 60745

Šajās instrukcijās norādītie lielumi, kas raksturo skaņas spiedienu un vibrāciju, ir noteikti ar standartizētas mērījumu metodes palīdzību, un tos var izmantot elektroiekārtu savstarpējai salīdzināšanai. Tos var izmantot arī trokšņa un vibrācijas iedarbības pagaidu novērtējumam.

Norādītie parametri attiecas uz elektroiekārtas galvenajiem lietošanas veidiem. Taču, ja elektroiekārta tiek izmantota citos nolūkos, ar citiem maināmajiem instrumentiem vai netiek nodrošināta pietiekama tās apkope, parametri var atšķirties no norādītajiem. Tas var ievērojami palielināt trokšņa un vibrācijas iedarbību visā darba laikā.

Lai precīzi novērtētu iedarbību, jāņem vērā arī laiks, cik ilgi iekārta ir izslēgta vai ir ieslēgta, taču faktiski netiek darbināta. Tas var būtiski samazināt iedarbību kopējā darba laikā.

Jāparedz papildu drošības pasākumi, lai aizsargātu iekārtas lietotāju pret trokšņa un/vai vibrācijas iedarbību, piemēram, elektroiekārtas un apkope, roku turēšana siltumā, darba procesa organizācija.

AG 4S-A22-125

Informācija par troksni

Skaņas spiediena līmenis (L_{pA})	81,5 dB(A)
Skaņas spiediena līmeņa pielāde (K_{pA})	3 dB(A)
Skaņas jaudas līmenis (L_{WA})	92,5 dB(A)
Skaņas jaudas līmeņa pielāde (K_{WA})	3 dB(A)

Informācija par vibrāciju

Lietošana citiem darbiem, piemēram, griešanai, var izraisīt vibrācijas lielumu izmaiņas.

Virsmas slāpēšana, izmantojot vibrāciju slāpējošo rokturi ($a_{h,AG}$)	4,7 m/s ²
Slāpēšana ar smilšpapīru, izmantojot vibrāciju slāpējošo rokturi ($a_{h,DS}$)	5,3 m/s ²
Iespējamā kļūda (K)	1,5 m/s ²

6 Lietošanas sākšana

6.1 Akumulatora uzlādēšana

1. Pirms uzlādes sākšanas izlasiet lādētāja lietošanas instrukciju.
2. Raugieties, lai akumulatora un lādētāja kontakta virsmas ir tīras un sausas.
3. Veiciet akumulatora uzlādi atbilstīgā lādētājā.

6.2 Akumulatora ievietošana

IEVĒROT PIESARDZĪBU!

Traumu risks īssavienojuma vai akumulatora nokrišanas gadījumā!

- ▶ Pirms akumulatora ievietošanas pārliecinieties, ka uz akumulatora un izstrādājuma kontaktiem neatrodas nekādi svešķermeņi.
- ▶ Pārbaudiet, vai akumulators ir droši nokrāsēts.

1. Pirms pirmās lietošanas pilnībā uzlādējiet akumulatoru.
2. Ievietojiet akumulatoru iekārtas stiprinājumā, līdz tas dzirdami nokrāsējas.



3. Pārbaudiet, vai akumulators ir droši nofiksēts.

6.3 Akumulatora izņemšana

1. Nospiediet akumulatora atbloķēšanas taustiņus.
2. Izvelciet akumulatoru no iekārtas turētāja.

6.4 Sānu roktura montāža

- ▶ Ieskrūvējiet sānu rokturi vienā no paredzētajiem vītņotajiem ieliktniem.

6.5 Drošības pārsega montāža un demontāža

IEVĒROT PIESARDZĪBU!

Traumu risks. Maināmais instruments var būt karsts vai ar asām malām.

- ▶ Montāžas, demontāžas, iestatīšanas un traucējumu novēršanas darbu laikā valkājiet aizsargcimdus.

- ▶ Ievērojiet attiecīgā drošības pārsega montāžas instrukciju.

6.5.1 Standarta drošības pārsega montāža



Drošības pārsegam ir kodēšanas tapa, kas ļauj uzmontēt tikai tādu pārsegu, kas atbilst konkrētajai iekārtai. Drošības pārsegs ar kodēšanas tapu nofiksējas iekārtas pārsega stiprinājumā.

1. Uzlieciet drošības pārsegu uz vārpstas sašaurinājuma tā, lai trīsstūra marķējumi uz iekārtas un uz pārsegu būtu novietoti viens otram pretī.
2. Uzspiediet drošības pārsegu uz vārpstas sašaurinājuma.
3. Pārvarot atsperes spēku, uzspiediet pārsegu uz vārpstas sašaurinājuma un pagrieziet to vajadzīgajā pozīcijā, līdz tas nofiksējas.
 - ↳ Pārsega atbloķēšanas poga atlec atpakaļ.

6.5.2 Standarta drošības pārsega noregulēšana

- ▶ Pārvarot atsperes spēku, uzspiediet pārsegu uz vārpstas sašaurinājuma un pagrieziet to vajadzīgajā pozīcijā, līdz tas nofiksējas.

6.5.3 Standarta drošības pārsega demontāža

1. Nospiediet atbloķēšanas taustiņu un pagrieziet pārsegu tā, lai trīsstūra marķējums uz iekārtas būtu novietots pretī atzīmei uz pārsega.
2. Noņemiet drošības pārsegu.

6.6 Priekšējā pārsega montāža un demontāža



Ja tiek izmantots priekšējais pārsegs, tas jānofiksē uz drošības pārsega.

1. Uzlieciet priekšējo pārsegu ar slēgto pusi uz standarta drošības pārsega, līdz tas nofiksējas.
2. Lai veiktu demontāžu, atveriet priekšējā pārsega fiksāciju un noņemiet priekšējo pārsegu no standarta drošības pārsega.

6.7 Maināmā darba instrumenta montāža un demontāža

BRĪDINĀJUMS!

Traumu risks. Iekārtas motora bremzēšanas laikā var atbrīvoties maināmā darba instrumenta fiksācija.

- ▶ Pirms pieskarties darba instrumentam vai fiksācijas uzgriežnim, nogaidiet, līdz apstājas darba instrumenta kustība.
- ▶ Pievelciet darba instrumentu un fiksācijas atloku ar fiksācijas uzgriezni tā, lai iekārtas motora bremzēšanas laikā neviena detaļa nevarētu atdalīties no vārpstas.



⚠ IEVĒROT PIESARDZĪBU!

Traumu risks. Darba instruments var spēcīgi sakarst.

- ▶ Darba instrumenta nomaīņas laikā valkājiet aizsargcimdus.



Dimanta slīpripas jāmaina, līdzko ievērojami samazinās griešanas vai slīpēšanas efektivitāte. Kopumā ņemot, tas parasti notiek tad, kad dimanta segmentu augstums ir kļuvis mazāks nekā 2 mm.

Pārējo tipu ripas jāmaina, līdzko ievērojami samazinās griešanas efektivitāte vai citas leņķa slīpmašīnas daļas (izņemot slīpripu) nonāk saskarē ar apstrādājamo materiālu.

Abrazīvās ripas jāmaina, kad beidzas to derīguma termiņš.

6.7.1 Maināmā instrumenta montāža

1. Izņemiet akumulatoru. → Lappuse 108
2. Pārbaudiet, vai apaļā šķērsriezuma blīvcredzens atrodas fiksācijas atlokā un nav bojāts.

Rezultāts

Apaļā šķērsriezuma blīvcredzens ir bojāts.

Apaļā šķērsriezuma blīvcredzens neatrodas fiksācijas atlokā.

- ▶ Ievietojiet jaunu apaļā šķērsriezuma blīvcredzenu.

3. Uzlieciet fiksācijas atloku uz vārpstas tā, lai tas piekļautos virsmai un nebūtu pagrozāms.
4. Uzlieciet maināmo instrumentu.
5. Pievelciet fiksācijas uzgriezni atbilstīgi lietojamajam darba instrumentam.
6. Nospiediet vārpstas bloķēšanas taustiņu un turiet to nospiestu.
7. Ar fiksācijas atslēgu pievelciet fiksācijas uzgriezni, pēc tam atlaidiet vārpstas bloķēšanas taustiņu un noņemiet fiksācijas atslēgu.

6.7.2 Maināmā instrumenta demontāža

1. Izņemiet akumulatoru. → Lappuse 108

⚠ IEVĒROT PIESARDZĪBU!

Salūšanas un bojājumu risks. Ja vārpstas bloķēšanas taustiņš tiek nospiests laikā, kad vārpsta griežas, var atbrīvoties darba instrumenta fiksācija.

- ▶ Spiediet vārpstas bloķēšanas taustiņu tikai tad, kad vārpsta neatrodas kustībā.

2. Nospiediet vārpstas bloķēšanas taustiņu un turiet to nospiestu.
3. Atbrīvojiet fiksācijas uzgriezni, uzliekot uz tā fiksācijas atslēgu un pagriežot pretēji pulksteņrādītāja kustības virzienam.
4. Atlaidiet vārpstas bloķēšanas taustiņu un noņemiet maināmo darba instrumentu.

6.7.3 Maināmā darba instrumenta ar ātrās fiksācijas uzgriezni **Kwik lock** montāža

⚠ IEVĒROT PIESARDZĪBU!

Salūšanas risks. Spēcīgs nodilums var izraisīt ātrās fiksācijas uzgriežņa **Kwik lock** salūšanu.

- ▶ Raugieties, lai ātrās fiksācijas uzgrieznis **Kwik lock** nenonāktu saskarē ar apstrādājamo virsmu.
- ▶ Nelietojiet bojātu ātrās fiksācijas uzgriezni **Kwik lock**.



Fiksācijas uzgriežņa vietā pēc izvēles var lietot ātrās fiksācijas uzgriezni **Kwik lock**. Tas ļauj veikt darba instrumentu nomaīņu bez papildu instrumentu palīdzības.

1. Izņemiet akumulatoru. → Lappuse 108
2. Pārbaudiet, vai apaļā šķērsriezuma blīvcredzens atrodas fiksācijas atlokā un nav bojāts.

Rezultāts

Apaļā šķērsriezuma blīvcredzens ir bojāts.

Apaļā šķērsriezuma blīvcredzens neatrodas fiksācijas atlokā.

- ▶ Ievietojiet jaunu apaļā šķērsriezuma blīvcredzenu.

3. Notīriet fiksācijas atloku un ātrās fiksācijas uzgriezni.
4. Uzlieciet fiksācijas atloku uz vārpstas.
5. Uzlieciet maināmo instrumentu.



- Līdz atdurei uzskrūvējiet ātrās fiksācijas uzgriezni **Kwik lock** uz darba instrumenta.
 - Uzskrūvētā stāvoklī ir redzams uzraksts **Kwik lock**.
- Nospiediet vārpstas bloķēšanas taustiņu un turiet to nospiestu.
- Ar roku turpiniet spēcīgi griezt maināmo instrumentu pulksteņrādītāja kustības virzienā, līdz ātrās fiksācijas uzgrieznis **Kwik lock** ir stingri pievilkts, un pēc tam atlaidiet vārpstas bloķēšanas taustiņu.

6.7.4 Maināmā darba instrumenta ar ātrās fiksācijas uzgriezni **Kwik lock** demontāža

- Izņemiet akumulatoru. → Lappuse 108

IEVĒROT PIESARDZĪBU!

Salūšanas un bojājumu risks. Ja vārpstas bloķēšanas taustiņš tiek nospiests laikā, kad vārpsta griežas, var atbrīvoties darba instrumenta fiksācija.

- Spiediet vārpstas bloķēšanas taustiņu tikai tad, kad vārpsta neatrodas kustībā.
- Nospiediet vārpstas bloķēšanas taustiņu un turiet to nospiestu.
 - Atskrūvējiet ātrās fiksācijas uzgriezni **Kwik lock**, ar roku pagriežot to pretēji pulksteņrādītāja kustības virzienam.
 - Ja ātrās fiksācijas uzgriezni **Kwik lock** ar roku neizdodas atskrūvēt, uzlieciet uz ātrās fiksācijas uzgriežņa fiksācijas atslēgu un pagriežiet to pretēji pulksteņrādītāja kustības virzienam.



Lai nesabojātu ātrās fiksācijas uzgriezni **Kwik lock**, nekādā gadījumā nelietojiet cauruļatslēgu.

- Atlaidiet vārpstas bloķēšanas taustiņu un noņemiet maināmo darba instrumentu.

6.7.5 Vainagurbja montāža **10**

- Izņemiet akumulatoru. → Lappuse 108
- Piemontējiet sānu rokturi. → Lappuse 108
- Piemontējiet standarta drošības pārsegu.
- Uzlieciet vainagurbi un pievelciet to ar roku.
- Nospiediet vārpstas bloķēšanas taustiņu un turiet to nospiestu.
- Pievelciet vainagurbi ar atbilstīgas dakšatslēgas palīdzību.
- Pēc tam atlaidiet vārpstas bloķēšanas taustiņu un noņemiet dakšatslēgu.

6.7.6 Stieplu birstes montāža **11**

- Izņemiet akumulatoru. → Lappuse 108
- Piemontējiet sānu rokturi. → Lappuse 108
- Piemontējiet standarta drošības pārsegu.
- Uzlieciet stieplu birsti un pievelciet to ar roku.
- Nospiediet vārpstas bloķēšanas taustiņu un turiet to nospiestu.
- Pievelciet stieplu birsti ar atbilstīgas dakšatslēgas palīdzību.
- Pēc tam atlaidiet vārpstas bloķēšanas taustiņu un noņemiet dakšatslēgu.

6.7.7 Šķiedras ripas montāža **12**

- Izņemiet akumulatoru. → Lappuse 108
- Piemontējiet sānu rokturi. → Lappuse 108
- Piemontējiet standarta drošības pārsegu.
- Uzlieciet atbalsta disku un šķiedras ripu, uzskrūvējiet un pievelciet fiksācijas uzgriezni.
- Nospiediet vārpstas bloķēšanas taustiņu un turiet to nospiestu.
- Ar fiksācijas atslēgu pievelciet fiksācijas uzgriezni.
- Pēc tam atlaidiet vārpstas bloķēšanas taustiņu un noņemiet fiksācijas atslēgu.

7 Lietošana

7.1 Ieslēgšana

- Nospiediet ieslēgšanas / izslēgšanas slēdža aizmugurējo daļu.
- Pabīdīdies ieslēgšanas / izslēgšanas slēdzi uz priekšu.
 - Motors darbojas.



3. Nobloķējiet ieslēgšanas / izslēgšanas slēdzi.

7.2 Slīpēšana

IEVĒROT PIESARDZĪBU!

Traumu risks, Darba instruments var negaidīti nobloķēties vai iestrēgt.

- ▶ Vienmēr lietojiet lekārtu kopā ar sānu rokturi un vienmēr stingri satveriet iekārtu ar abām rokām.

7.3 Griešana

- ▶ Veiciet abrazīvo griešanu, ar mērenu spiedienu virzot iekārtu uz priekšu un nesašķiebjot iekārtu vai abrazīvo griezējripu (darba stāvoklī tā jātur apm. 90° leņķī pret griežamo virsmu).



Profilus un nelielas taisnstūra caurules vislabāk var pārgriezt, izdarot griezumu mazākā šķērsgrīzuma vietā.

7.4 Raupjā slīpēšana

IEVĒROT PIESARDZĪBU!

Traumu risks. Abrazīvā griezējripa var pārplīst, un atlūzušās daļas var izraisīt traumas.

- ▶ Nekādā gadījumā nelietojiet abrazīvās griezējriņas virsmas raupjajai slīpēšanai.
- ▶ Izdarot mērenu spiedienu, kustiniet iekārtu turp un atpakaļ 5° līdz 30° leņķī attiecībā pret apstrādājamo virsmu.
 - ↳ Tādējādi apstrādājama materiāls pārāk nesakarsīs un nemainīs krāsu un uz virsmas nepaliks rievās.

7.5 Izslēgšana

- ▶ Nospiediet ieslēgšanas / izslēgšanas slēdža aizmugurējo daļu.
 - ↳ Ieslēgšanas / izslēgšanas slēdzis pārvietojas izslēgšanas pozīcijā, un motors apstājas.

8 Apkope un uzturēšana

BRĪDINĀJUMS!

Traumu risks ievietota akumulatora gadījumā !

- ▶ Pirms jebkādiem apkopes un tehniskā stāvokļa uzturēšanas darbiem vienmēr izņemiet akumulatoru!

Iekārtas apkope

- Uzmanīgi jānotīra pielipušie netīrumi.
- Izņemiet putekļu filtru un uzmanīgi iztīriet to, kā arī ventilācijas atveres ar sausu birstīti.
- Korpusa tīrīšanai jālieto tikai nedaudz samitrināta drāniņa. Nedrīkst lietot silikonu saturošus kopšanas līdzekļus, kas var sabojāt plastmasas daļas.

Litija jonu akumulatoru apkope

- Raugieties, lai akumulators ir tīrs un nebūtu savārtīts ar eļļu un smērvielām.
- Korpusa tīrīšanai jālieto tikai nedaudz samitrināta drāniņa. Nedrīkst lietot silikonu saturošus kopšanas līdzekļus, kas var sabojāt plastmasas daļas.
- Nepieļaujiet mitruma iekļūšanu.

Uzturēšana

- Regulāri pārbaudiet visas redzamās daļas, lai pārliecinātos, ka tās nav bojātas un funkcionē nevainojami.
- Bojājumu un/vai funkciju traucējumu gadījumā izstrādājumu nedrīkst lietot. Tas nekavējoties jānodod **Hilti**, lai veiktu remontu.
- Pēc apkopes un remonta darbiem visas aizsargierīces jāpiemontē vietā un jāpārbauda, vai tās darbojas.



Lai iekārtas lietošana būtu droša, izmantojiet tikai oriģinālās rezerves daļas un patērīna materiālus. Rezerves daļas un patērīna materiālus, kuru lietošanu kopā ar šo iekārtu mēs akceptējam, var atrast **Hilti Store** vai tīmekļvietnē. www.hilti.group.



9 Ar akumulatoru darbināmo iekārtu transportēšana un uzglabāšana

Transportēšana

IEVĒROT PIESARDZĪBU!

Nekontrolēta iedarbošanās transportēšanas laikā !

- ▶ Pirms iekārtu transportēšanas vienmēr izņemiet no tām akumulatorus!
- ▶ Izņemiet akumulatorus.
- ▶ akumulatorus nekādā gadījumā nedrīkst transportēt nenostiprinātā veidā, sabērtus kaudzēs.
- ▶ Pirms atsākt iekārtas un akumulatoru lietošanu pēc ilgākas transportēšanas, pārbaudiet, vai tie nav bojāti.

Uzglabāšana

IEVĒROT PIESARDZĪBU!

Neparedzami bojājumi bojātu vai izplūdušu akumulatoru dēļ !

- ▶ Pirms iekārtu novietošanas glabāšanā vienmēr izņemiet no tām akumulatorus!
- ▶ Iekārta un akumulatori jāglabā pēc iespējas vēsā un sausā vietā.
- ▶ Nekādā gadījumā neglabājiet akumulatorus augstā temperatūrā, tiešos saules staros vai aiz stikla.
- ▶ Glabājiet iekārtu un akumulatorus vietā, kas nav pieejama bērniem un nepiederošām personām.
- ▶ Pirms atsākt iekārtas un akumulatoru lietošanu pēc ilgas uzglabāšanas, pārbaudiet, vai tie nav bojāti.

10 Traucējumu novēršana

Ja iekārtas darbībā ir radušies traucējumi, kas nav uzskaitīti šajā tabulā vai ko jums neizdodas novērst saviem spēkiem, lūdzu, meklējiet palīdzību mūsu **Hilti** servisā.

10.1 Traucējumu diagnostika

Traucējums	Iespējamais iemesls	Risinājums
Akumulators izlādējas ātrāk nekā parasti.	Ļoti zema apkārtējā temperatūra.	▶ Ļaujiet akumulatoram pamazām sasilt līdz istabas temperatūrai.
Akumulators nenofiksējas ar sadzirdamu klikšķi.	Netīri akumulatora fiksācijas izciļņi.	▶ Notīriet fiksācijas mēlītes un nofiksējiet akumulatoru no jauna.
1 LED mirgo. Iekārta nedarbojas.	Akumulators ir izlādējies.	▶ Nomainiet akumulatoru un uzlādējiet tukšo akumulatoru.
	Akumulators ir pārāk auksts vai pārāk karsts.	▶ Ļaujiet akumulatoram pamazām sasilt vai atdzist līdz istabas temperatūrai.
Visas 4 LED mirgo. Iekārta nedarbojas.	Iekārta ir pārslogota.	▶ Atlaidiet vadības slēdzi un pēc tam nospiediet to vēlreiz. Pēc tam apm. 30 sekundes darbiniet iekārtu tukšgaitā.
Leņķa slīpmašīna vai akumulators spēcīgi sakarst.	Elektrisks defekts.	▶ Nekavējoties izslēdziet iekārtu, izņemiet akumulatoru no iekārtas, vērojiet to, ļaujiet tam atdzist un vērsieties Hilti servisā.
Iekārta nedarbojas ar pilnu jaudu	Ievietots akumulators ar pārāk mazu kapacitāti.	▶ Lietojiet akumulatoru ar pietiekamu kapacitāti.
Nedarbojas motora bremzēšana.	Akumulators ir izlādējies.	▶ Nomainiet akumulatoru un uzlādējiet tukšo akumulatoru.
	Iekārta ir īslaicīgi pārslogota.	▶ Izslēdziet un vēlreiz ieslēdziet iekārtu.

11 RoHS (direktīva par bīstamo vielu izmantošanas ierobežošanu)

Lai apskatītu bīstamo vielu tabulu, izmantojiet šādu saiti: qr.hilti.com/r9884540.



12 Nokalpojušo iekārtu utilizācija

Hilti iekārtu izgatavošanā tiek izmantoti galvenokārt otrreiz pārstrādājami materiāli. Priekšnosacījums otrreizējai pārstrādei ir atbilstoša materiālu šķirošana. Daudzās valstīs **Hilti** pieņem nolietotās iekārtas otrreizējai pārstrādei. Lai saņemtu vairāk informācijas, vērsieties **Hilti** servisā vai pie sava pārdošanas konsultanta.

Akumulatoru utilizācija

Ja akumulatoru utilizācija netiek veikta pareizā veidā, var izplūst kaitīgas gāzes un šķidrums, kas apdraud veselību.

- ▶ Bojātus akumulatorus nav atļauts nosūtīt!
- ▶ Lai nepieļautu īssavienojumus, nosedziet pieslēguma kontaktus ar materiālu, kam nepiemīt elektriskā vadītspēja.
- ▶ Utilizējiet akumulatorus tā, lai tiem nevarētu piekļūt bērni.
- ▶ Nododiet akumulatoru utilizācijai jūs apkalpojošajā **Hilti Store** vai vērsieties pie kompetentā atkritumu apsaimniekošanas uzņēmuma.



-
- ▶ Neizmetiet elektroiekārtas, elektroniskas ierīces un akumulatorus sadzīves atkritumos!
-

13 Ražotāja garantija

- ▶ Ar jautājumiem par garantijas nosacījumiem, lūdzu, vērsieties pie vietējā **Hilti** partnera.



1 Dokumentų duomenys

1.1 Apie šią instrukciją

- Prieš pradėdami eksploatuoti, perskaitykite šią instrukciją. Tai yra saugaus darbo ir patikimo naudojimo sąlyga.
- Laikykitės šioje instrukcijoje ir ant prietaiso pateiktų saugos nurodymų ir įspėjimų.
- Šią naudojimo instrukciją visada laikykite kartu su prietaisu, prietaisą kitiems asmenims perduokite tik kartu su šia instrukcija.

1.2 Ženklų paaiškinimas

1.2.1 Įspėjantieji nurodymai

Įspėjantieji nurodymai įspėja apie pavojus, gresiančius eksploatuojant prietaisą. Naudojami tokie signaliniai žodžiai:



PAVOJUS

PAVOJUS !

- ▶ Šis žodis vartojamas norint įspėti apie tiesiogiai gresiantį pavojų, kurio pasekmės yra sunkūs kūno sužalojimai arba žūtis.



ISPĖJIMAS

ISPĖJIMAS !

- ▶ Šis žodis vartojamas norint įspėti apie galimai gresiantį pavojų, kurio pasekmės gali būti sunkūs kūno sužalojimai arba žūtis.



ATSARGIAI

ATSARGIAI !

- ▶ Šis žodis vartojamas potencialiai pavojingai situacijai žymėti, kai yra lengvo kūno sužalojimo arba materialinių nuostolių grėsmė.

1.2.2 Instrukcijoje naudojami simboliai

Šioje instrukcijoje naudojami tokie simboliai:



Prieš naudojant, perskaityti instrukciją



Naudojimo nurodymai ir kita naudinga informacija



Rodo, kad juo paženklintą medžiagą galima perdirbti



Elektrinių prietaisų ir akumuliatorių nemesti į buitinius šiukšlynus

1.2.3 Ilustracijose naudojami simboliai

Ilustracijose naudojami šie simboliai:

2

Šis skaitmenys nurodo atitinkamą iliustraciją šios instrukcijos pradžioje

3

Numeravimas nurodo darbinių veiksmų eiliškumą paveikslėlyje ir gali skirtis nuo tekste pateikto darbinių veiksmų numeravimo

11

Pozicijų numeriai naudojami paveikslėlyje **Apžvalga** – jie nurodo skyrelyje **Prietaiso vaizdas** esančių paaiškinimų numerius



Šiuo ženklu siekiama atkreipti ypatingą dėmesį į naudojamą šiuo prietaisu.

1.3 Specifiniai prietaiso simboliai

1.3.1 Simboliai ant prietaiso

Ant prietaiso naudojami tokie simboliai:



	Dirbant užsidėti apsauginius akinius
n	Nominalusis sukimosi greitis
/min	Apsisukimai per minutę
RPM	Apsisukimai per minutę
\varnothing	Skersmuo
---	Nuolatinė srovė
	Belaidis duomenų perdavimas
Li-Ion	Ličio jonų akumulatorius
	Naudotas Hilti serijos ličio jonų akumulatorius. Atkreipkite dėmesį į duomenis skyriuje Naudojimas pagal paskirtį .

1.4 Informacija apie prietaisą

HILTI gaminiai yra skirti profesionalams, todėl juos naudoti, techniškai prižiūrėti ir remontuoti leidžiama tik įgaliotam instruktuiotam personalui. Šis personalas turi būti supažindintas su visais galimais pavojais. Neapmokyto personalo, netinkamai arba ne pagal paskirtį naudojamas prietaisais ir jo reikmenys gali kelti pavojų.

Tipas ir serijos numeris yra nurodyti firminėje duomenų lentelėje.

- ▶ Serijos numerį perkeltkite į toliau nurodytą lentelę. Kreipdamiesi su prietaisu susijusiais klausimais į mūsų atstovybę ar techninės priežiūros centrą, visada nurodykite šiuos prietaiso duomenis.

Prietaiso duomenys

Kampinis šlifjuoklis	AG 4S-A22
Karta	01
Serijos Nr.	

1.5 Atitikties deklaracija

Prisiimdami visą atsakomybę pareiškiame, kad čia aprašytas gaminys atitinka galiojančias direktyvas ir normas. Atitikties deklaracijos kopiją rasite šios instrukcijos gale.

Techninė dokumentacija saugoma čia:

Hilti Entwicklungsgesellschaft mbH | Zulassung Geräte | Hiltistraße 6 | 86916 Kaufering, DE

2 Sauga

2.1 Saugos nurodymai

2.1.1 Bendrieji saugos nurodymai dirbantiems su elektriniais įrankiais

⚠ IŠPĖJIMAS Perskaitykite visus ant šio elektrinio įrankio esančius saugos nurodymus, instrukcijas, paveikslėlius ir techninius duomenis. Šių nurodymų nesilaikymas gali tapti elektros smūgio, gaisro ir / arba sunkių sužalojimų priežastimi.

Išsaugokite visus saugos nurodymus ir instrukcijas, kad galėtumėte į juos pažvelgti ateityje.

Saugos nurodymuose vartojama sąvoka „elektrinis įrankis“ apibrėžiami iš elektros tinklo maitinami elektriniai įrankiai (turintys maitinimo kabelį) ir iš akumulatoriaus maitinami elektriniai įrankiai (be maitinimo kabelio).

Sauga darbo vietoje

- ▶ **Pasirūpinkite, kad darbo vieta visada būtų švari ir gerai apšviesta.** Netvarkinga ar blogai apšviesta darbo vieta gali tapti nelaimingų atsitikimų priežastimi.
- ▶ **Nenaudokite elektrinio įrankio sprogoje aplinkoje, kurioje yra degių skysčių, dujų arba dulkių.** Veikiantys elektriniai įrankiai kibirkščiuoja, ir kibirkštys gali uždegti dulkes arba susikaupusius garus.
- ▶ **Dirbdami su elektriniu įrankiu, neleiskite darbo zonoje būti vaikams ir pašaliniam asmenims.** Atitraukę dėmesį nuo darbo, galite nebesuvaldyti prietaiso.



2233926

Lietuvių 115

Apsauga nuo elektros

- ▶ **Prietaiso maitinimo kabelio kištukas turi atitikti elektros lizdo tipą. Kištuko jokiu būdu negalima keisti. Nenaudokite tarpinių kištukų kartu su elektriniais įrankiais, turinčiais apsauginį įžeminimą.** Nepakeisti kištukai ir tinkami elektros lizdai mažina elektros smūgio riziką.
- ▶ **Venkite kūno kontakto su įžemintais paviršiais, pvz., vamzdžiais, šildytuvais, viryklėmis ir šaldytuvais.** Kai žmogaus kūnas yra įžemintas, padidėja elektros smūgio tikimybė.
- ▶ **Elektrinius įrankius saugokite nuo lietaus ir drėgmės.** Į elektrinį įrankį patekus vandens, padidėja elektros smūgio rizika.
- ▶ **Nenaudokite elektros maitinimo kabelio ne pagal paskirtį, t. y. neneškite elektrinio įrankio paėmę už kabelio, nekabinkite jo ant kabelio, netraukite už kabelio, norėdami ištraukti kištuką iš elektros lizdo. Elektros maitinimo kabelį saugokite nuo karščio, alyvos, aštrių briaunų ar judančių dalių.** Pažeisti arba susipynę elektros maitinimo kabeliai didina elektros smūgio riziką.
- ▶ **Jei su elektriniu įrankiu dirbate lauke, naudokite tik tokius ilginimo kabelius, kurie tinka ir lauko darbams.** Naudojant lauko darbams tinkančius ilginimo kabelius, mažėja elektros smūgio rizika.
- ▶ **Jeigu elektrinio įrankio naudojimo drėgnoje aplinkoje negalima išvengti, į elektros tinklą jįjunkite per apsauginę nuotėkio relę.** Apsauginė nuotėkio relė mažina elektros smūgio riziką.

Žmonių sauga

- ▶ **Dirbdami su elektriniu įrankiu, būkite atidūs, sutelkite dėmesį į darbą ir vadovaukitės sveika nuovoka. Elektrinio įrankio nenaudokite, jeigu esate pavargę arba apsvaigę nuo narkotinių medžiagų, alkoholio ar vaistų.** Neatidumo akimirka dirbant su elektriniu įrankiu gali tapti rimtu sužalojimų priežastimi.
- ▶ **Naudokite asmenines apsaugos priemones ir visuomet užsidėkite apsauginius akinius.** Naudojant asmenines apsaugos priemones, pvz., respiratorių, neslystančius apsauginius batus, apsauginį šalną, ausines ir kt., priklausomai nuo elektrinio įrankio tipo ir naudojimo, mažėja rizika susižaloti.
- ▶ **Saugokitės, kad neįjungtumėte prietaiso atsitiktinai. Prieš prijungdami prie elektros maitinimo tinklo, įdėdami akumuliatorių, imdami į rankas ar nešdami, įsitikinkite, kad elektrinis įrankis yra išjungtas.** Jeigu nešdami elektrinį įrankį pirštą laikysite ant jungiklio arba įrankį įjungsitė į elektros tinklą tuomet, kai jungiklis nėra išjungtas, gali įvykti nelaimingas atsitikimas.
- ▶ **Prieš įjungdami elektrinį įrankį, pašalinkite iš jo reguliavimo įrankius ar veržlinius raktus.** Besisukančioje prietaiso dalyje esantis įrankis ar paliktas raktas gali tapti sužalojimų priežastimi.
- ▶ **Venkite nepatogių kūno padėčių. Dirbdami stovėkite tvirtai ir visada išlaikykite kūno pusiausvyrą.** Taip galėsite geriau kontroliuoti elektrinį įrankį netikėtose situacijose.
- ▶ **Vilkėkite tinkamą aprangą. Nevilkėkite plačių drabužių, nesidėkite papuošalų. Saugokite plaukus, drabužius ir pirštines nuo besisukančių prietaiso dalių.** Laisvus drabužius, papuošalus ir ilgus plaukus gali įtraukti besisukančios prietaiso dalys.
- ▶ **Jei yra numatyta galimybė prijungti dulkių nusiurbimo ar surinkimo įrenginius, visada įsitikinkite, kad jie yra prijungti ir tinkamai naudojami.** Naudojant dulkių nusiurbimo įrenginį, gali sumažėti dulkių keliami grėsmė.
- ▶ **Neturėkite iliuzijų, kad visada esate saugūs, ir, skaitydami naudojimo instrukcijas, nepraleiskite skyrelių apie saugų darbą su elektriniais įrankiais, net jeigu per ilgus naudojimo metus esate su savo elektriniu įrankiu susipažinę.** Neatsargus veiksmas per sekundės dalį gali tapti sunkių sužalojimų priežastimi.

Elektrinio įrankio naudojimas ir elgesys su juo

- ▶ **Prietaiso neperkraudkite. Naudokite Jūsų darbui tinkamą elektrinį įrankį.** Su tinkamu elektriniu įrankiu dirbsite geriau ir saugiau, jei neviršysite nurodytos galios.
- ▶ **Nenaudokite elektrinio įrankio su sugedusiu jungikliu.** Elektrinis įrankis, kurio nebegalima įjungti ar išjungti, yra pavojingas ir jį reikia remontuoti.
- ▶ **Prieš prietaisą nustatydami, keisdami reikmenis ar tiesiog padėdami į šalį, visuomet ištraukite maitinimo kabelio kištuką iš elektros lizdo ir / arba iš prietaiso išimkite akumuliatorių.** Ši atsargumo priemonė leis išvengti netikėto elektrinio įrankio įsijungimo.
- ▶ **Nenaudojamus elektrinius įrankius saugokite vaikams nepasiekiamoje vietoje. Neleiskite prietaisu naudotis asmenims, kurie nėra su juo susipažinę arba nėra perskaitę šios instrukcijos.** Elektriniai įrankiai yra pavojingi, kai juos naudoja patirties neturintys asmenys.
- ▶ **Elektrinius įrankius ir reikmenis rūpestingai prižiūrėkite. Tikrinkite, ar judančios elektrinio įrankio dalys tinkamai funkcionuoja ir niekur nekliūva, ar nėra sulūžusių ir pažeistų dalių, kurios blogintų įrankio veikimą. Prieš naudojimą pažeistos prietaiso dalys turi būti suremontuotos.** Blogai prižiūrėti elektriniai įrankiai yra daugelio nelaimingų atsitikimų priežastis.
- ▶ **Pjovimo įrankiai visuomet turi būti aštrūs ir švarūs.** Rūpestingai prižiūrėti pjovimo įrankiai su aštriomis pjovimo briaunomis mažiau stringa ir yra lengviau valdomi.



- ▶ **Elektrinį įrankį, reikmenis, keičiamuosius įrankius ir t. t. naudokite pagal šias instrukcijas. Taip pat atsižvelkite į darbo sąlygas ir atliekamo darbo pobūdį.** Elektrinius įrankius naudojant ne pagal paskirtį, gali kilti pavojingos situacijos.
- ▶ **Prižiūrėkite rankenas, kad jos ir jų laikymo paviršiai visada būtų sausi, švarūs ir neriebaluoti.** Slidžios rankenos ir jų laikymo paviršiai negali užtikrinti elektrinio įrankio saugaus naudojimo ir valdymo kontrolės nenumatytoje situacijoje.

Akumulatorinio įrankio naudojimas ir elgesys su juo

- ▶ **Akumulatoriams įkrauti naudokite tik tuos kroviklius, kuriuos rekomenduoja gamintojas.** Kroviklį, tinkantį tik nurodytiems akumuliatorių tipams, naudojant kitiems akumulatoriams įkrauti, kyla gaisro pavojus.
- ▶ **Elektriniuose įrankiuose naudokite tik konkrečiai jiems skirtus akumulatorius.** Naudojant kitokius akumulatorius, kyla pavojus susižaloti ir sukelti gaisrą.
- ▶ **Nenaudojamo akumulatoriaus nelaidekite šalia sąvaržėlių, monetų, raktų, vinių, varžtų ar kitokių smulkių metalinių daiktų, kurie galėtų trumpai sujungti akumulatoriaus kontaktus.** Trumpai sujungus akumulatoriaus kontaktus, yra pavojus nusideginti ar sukelti gaisrą.
- ▶ **Netinkamai naudojant akumuliatorių, iš jo gali ištekėti skystis. Venkite kontakto su šiuo skysčiu. Jei skysčio atsitiktinai pateko ant odos, nuplaukite ją vandeniu, jei pateko į akis - gerai praplaukite jas vandeniu ir nedelsdami kreipkitės į gydytoją.** Akumulatoriaus skystis gali sudirginti arba chemiškai nudeginti odą.
- ▶ **Nenaudokite pažeisto arba perdirbto akumulatoriaus.** Pažeisti arba perdirbti akumulatoriai gali funkcionuoti nenumatytai, todėl gali kelti gaisro, sprogo ar sužalojimų pavojų.
- ▶ **Akumuliatorių saugokite nuo ugnies ir per aukštos temperatūros.** Ugnies arba didesnės kaip 130 °C (265 °F) temperatūros veikiamas akumuliatorius gali sprogti.
- ▶ **Laikykitės visų įkrovimo instrukcijų ir akumuliatorių ar akumulatorinį įrankį visada įkraukite tik eksploatavimo instrukcijoje nurodytame temperatūrų diapazone.** Netinkamas įkrovimas arba įkrovimas už leistino temperatūrų diapazono ribų gali sugadinti akumuliatorių ir padidinti gaisro pavojų.

Techninė priežiūra

- ▶ **Savo elektrinį įrankį patikėkite remontuoti tik kvalifikuotam specialistui, tam jis turi naudoti tik originalias atsargines dalis.** Taip galima užtikrinti, kad bus išlaikytas prietaiso naudojimo saugumas.
- ▶ **Niekada nevykdysite pažeistų akumuliatorių techninės priežiūros.** Bet kokią akumuliatorių techninę priežiūrą leidžiama vykdyti tik gamintojui arba įgaliotoms klientų aptarnavimo įmonėms.

2.1.2 Bendrieji saugos nurodymai, vykdant šlifavimo, šlifavimo švitriniumi popieriumi darbus, naudojant vielinius šepetčius, poliruojant ir vykdant abrazyvinį pjaustymą:

- ▶ **Šis elektrinis įrankis turi būti naudojamas kaip šlifukoelis, vielinis šepetys, šlifavimo švitriniumi popieriumi mašina ir abrazyvinio pjaustymo mašina. Atkreipkite dėmesį į visus saugos nurodymus, instrukcijas, iliustracijas ir duomenis, kuriuos gaunate kartu su prietaisu.** Šių nurodymų nepaisant, kyla elektros smūgio, gaisro ir / arba sunkių sužalojimų pavojus.
- ▶ **Šis elektrinis įrankis netinka poliravimui.** Ne pagal paskirtį naudojamas elektrinis įrankis gali kelti įvairią grėsmę ir sužaloti žmones.
- ▶ **Nenaudokite reikmenų, kurių šiam elektriniam įrankiui specialiai nenumatė ir nerekomendavo gamintojas.** Vien tai, kad prie Jūsų elektrinio įrankio galima pritvirtinti reikmenį, negarantuoja jo saugaus naudojimo.
- ▶ **Keičiamojo įrankio leistinas sukimosi greitis turi būti bent jau ne mažesnis už ant elektrinio įrankio nurodytą didžiausią sukimosi greitį.** Reikmuo, kuris sukasi greičiau nei leistina, gali trūkti ir pasklisti į šalis.
- ▶ **Keičiamojo įrankio išorinis skersmuo ir storis turi atitikti elektrinio įrankio duomenis.** Netinkamų matmenų keičiamųjų įrankių negalima pakankamai apsaugoti ir kontroliuoti.
- ▶ **Keičiamieji įrankiai su srieginiu įdėklu turi tiksliai atitikti šlifavimo mašinos veleno sriegį. Kai keičiamieji įrankiai montuojami naudojant jungę, įrankio skylės skersmuo turi atitikti jungės tvirtinimo vietos skersmenį.** Elektriniame įrankyje netinkamai įtvirtinti keičiamieji įrankiai sukasi netolygiai, stipriai vibruoja, todėl naudojotąs gali elektrinio įrankio nebesuvaldyti.
- ▶ **Nenaudokite sugadintų keičiamųjų įrankių. Prieš kiekvieną keičiamojo įrankio, pavyzdžiui, šlifavimo disko arba šlifavimo lėkštės naudojimą patikrinkite, ar jie nenuskilę ir neįtrūkę, nėra sudilę arba smarkiai susidėvėję, taip pat patikrinkite, ar vielinių šepetlių vielos nėra atspalaidavusios ar sulūžusios. Jei elektrinis įrankis arba keičiamasis įrankis nukrito, patikrinkite, ar jis nepažeistas arba naudokite nepažeistą keičiamąjį įrankį. Patikrinę ir sumontavę keičiamąjį įrankį, leiskite prietaisui vieną minutę sukis maksimaliu greičiu; tuo metu nestovėkite patys ir neleiskite būti kitiems asmenims besisukančio keičiamojo įrankio plokštumoje.** Pažeisti keičiamieji įrankiai paprastai trūksta būtent šiuo laikotarpiu.



- ▶ **Naudokite asmenines apsaugos priemones. Priklausomai nuo naudojimo pobūdžio, užsidėkite veidą saugančią kaukę, akių apsaugos priemonę arba apsauginius akinius. Naudokite respiratorių, ausines, apsaugines pirštines arba specialią prijuostę, apsaugančius nuo šlifuojant atskylančių mažų medžiagos dalelių.** Akys turi būti apsaugotos nuo skriejančių svetimkūnių, kurių būna prietaisu vykdant bet kokius darbus. Dulkių kaukės ar respiratoriai turi filtruoti dirbant kylančias dulkes. Ilgą laiką dirbdami triukšmingoje aplinkoje, galite pakenkti klausai.
- ▶ **Atkreipkite dėmesį, kad kiti asmenys turi saugiu atstumu nutolę nuo Jūsų darbo zonos. Kiekvienas į darbo zoną įžengiantis asmuo turi būti užsidėjęs asmenines apsaugos priemones.** Ruošinio dalelės arba sulūžusio keičiamojo įrankio nuolaužos gali būti išsviestos tolyn ir sužaloti žmones, esančius už darbo zonos ribų.
- ▶ **Jeigu vykdant darbus keičiamasis įrankis gali paliesti paslėptus elektros laidus, elektrinį įrankį laikykite tik paėmę už izoliuotų rankenų paviršių.** Dėl kontakto su laidais, kuriais teka elektros srovė, metalinėse prietaiso dalyse taip pat gali atsirasti įtampa, todėl kyla elektros smūgio pavojus.
- ▶ **Prietaiso elektros maitinimo kabelį saugokite nuo besisukančių keičiamųjų įrankių.** Jei prietaisas tampa nebevaldomas, keičiamasis įrankis gali perpjauti arba pagriebti maitinimo kabelį, o Jūsų ranką ar plaštaką trūktelėti besisukančio įrankio link.
- ▶ **Nedėkite elektrinio įrankio ant žemės ar kito paviršiaus tol, kol keičiamasis įrankis visiškai nesustos.** Besisukantis keičiamasis įrankis gali paliesti atraminį paviršių, todėl elektrinio įrankio galite nebesuvaldyti.
- ▶ **Išjunkite elektrinį įrankį, kai jį nešate iš vienos vietos į kitą.** Besisukantis keičiamasis įrankis gali pagriebti Jūsų drabužius ir sužaloti Jūsų kūną.
- ▶ **Reguliariai valykite elektrinio įrankio vėdinimo plyšius.** Variklio ventiliatoriaus įsiurbia į prietaiso korpusą dulkių; dėl per didelių metalo dulkių sankaupų prietaisas gali tapti elektriška nesaugus.
- ▶ **Nenaudokite elektrinio įrankio netoli degių medžiagų.** Kibirkštys gali uždegti šias medžiagas.
- ▶ **Nenaudokite keičiamųjų įrankių, kuriuos reikia aušinti aušinimo skysčiais.** Naudojant vandenį arba kitus aušinimo skysčius, kyla elektros smūgio pavojus.

Atatranka ir atitinkami saugos nurodymai

Atatranka yra staigi prietaiso reakcija į besisukančio keičiamojo įrankio, kaip šlifavimo disko, šlifavimo lėkštės, vielinio šepčio ir t. t. įstrigimą arba užsiblokavimą. Dėl strigimo arba blokavimo besisukantis keičiamasis įrankis staiga sustoja. Todėl nevaldomas elektrinis įrankis blokavimo vietoje pajuda priešinga keičiamojo įrankio sukimuisi kryptimi.

Jei šlifavimo diskas ruošinyje įstringa arba užsiblokuoja, ruošinyje esanti disko briauna gali pakrypti ir lūžti arba sukelti atatranką. Tada šlifavimo diskas ima judėti nuo naudotojo arba jo link, priklausomai nuo disko sukimosi krypties blokavimo vietoje. Tokiu atveju šlifavimo diskas taip pat gali trūkti.

Atatrankos jėga atsiranda dėl netinkamo elektrinio įrankio naudojimo. Jos galima išvengti naudojant tinkamas, toliau aprašomas atsargumo priemones.

- ▶ **Elektrinį įrankį laikykite tvirtai; Jūsų kūnas ir rankos turi būti tokioje padėtyje, kad atlaikytumėte atatrankos jėgas.** Jei yra, visuomet naudokite papildomą rankeną, kad galėtumėte užtikrintai kontroliuoti atatrankos jėgas ar reakcijos momentą prietaiso variklio paleidimo metu. Naudotojas gali valdyti atatrankos ir reakcijos jėgas, jei naudoja reikiamas atsargumo priemones.
- ▶ **Prie besisukančio keičiamojo įrankio niekada neikiškite rankos.** Atatrankos metu keičiamasis įrankis gali sužaloti Jūsų ranką.
- ▶ **Nebūkite tokioje vietoje, į kurią elektrinis įrankis pajudėtų atatrankos metu.** Atatrankos jėga stumia elektrinį įrankį priešinga šlifavimo disko sukimosi blokavimo taške kryptimi.
- ▶ **Ypač atsargiai dirbkite kampuose, ties aštriomis briaunomis ir t. t. Saugokite, kad keičiamasis įrankis neatšoktų nuo ruošinio ir neįstrigtų.** Besisukantis keičiamasis įrankis paprastai stringa apdirbant kampus, aštrias briaunas arba nuo jų nuslydęs. Dėl to prietaisas gali tapti nebevaldomas arba gali kilti atatranka.
- ▶ **Nenaudokite grandininio arba dantyto pjovimo disko.** Dėl tokių keičiamųjų įrankių dažnai atsiranda atatrankos jėga arba elektrinis įrankis tampa nebevaldomas.

Specialūs saugos nurodymai vykdantiems šlifavimo ir abrazyvinio pjaustymo darbus

- ▶ **Naudokite tik Jūsų elektriniam įrankiui aprobuotus šlifavimo diskus ir jiems skirtą apsauginį gaubtą.** Jei naudojami elektriniam įrankiui netinkantys šlifavimo diskai, gaubtas negali jų pakankamai apsaugoti.
- ▶ **Profiliuoti šlifavimo diskai turi būti montuojami taip, kad jų šlifuojantis paviršius neišsikištų už apsauginio gaubto krašto.** Netinkamai sumontuoto, už apsauginio gaubto krašto išsikišusio šlifavimo disko neįmanoma tinkamai apsaugoti gaubtu.
- ▶ **Apsauginis gaubtas turi būti patikimai pritvirtintas prie elektrinio įrankio ir, siekiant maksimalaus saugumo, nustatytas taip, kad kiek galima mažesnė neapsaugoto šlifavimo įrankio dalis būtų atsukta į naudotoją.** Apsauginis gaubtas padeda apsaugoti naudotoją nuo nuolaužų, netyčinio prisilietimo prie šlifavimo disko ir kibirkščių, kurios gali uždegti drabužius.



- ▶ **Šlifavimo diskai turi būti naudojami tik rekomenduojamiems darbams vykdyti. Pavyzdžiui, niekada nešlifaukite pjaustymo disko šoniniu paviršiumi.** Pjaustymo diskai yra skirti medžiagai perpjauti disko briauna. Šoninės jėgos tokį šlifavimo diską gali sulaužyti.
- ▶ **Pasirinktam šlifavimo diskui visada naudokite nepažeistas tinkamo dydžio ir formos fiksavimo junges.** Tinkamos jungės atremia šlifavimo diską ir dėl to sumažėja šlifavimo disko lūžimo tikimybė. Pjaustymo diskų jungės gali skirtis nuo jungių, skirtų kitiems šlifavimo diskams.
- ▶ **Nenaudokite sudilusių šlifavimo diskų, skirtų didesniems elektriniams įrankiams.** Didesnių elektrinių įrankių šlifavimo diskų leistinas sukimosi greitis yra mažesnis už mažesnių elektrinių įrankių sukimosi greitį, todėl tokie diskai gali trūkti.

Kiti specialūs saugos nurodymai vykdančioms abrazyvinio pjaustymo darbus

- ▶ **Saugokite pjaustymo diską nuo užsiblokavimo arba per didelės spaudimo jėgos. Nepjunkite per giliai.** Perkrautas pjaustymo diskas gali deformuotis arba užsiblokuoti, gali atsirasti atatrunkos jėga arba diskas gali sulūžti.
- ▶ **Venkite būti zonose prieš besisukančią pjaustymo diską ir už jo.** Jei ruošinyje pjaustymo diską stumiate nuo savęs, atatrunkos atveju elektrinis įrankis kartu su besisukančiu disku gali būti išmestas Jūsų link.
- ▶ **Jei pjaustymo diskas stringa arba nutraukiate darbą, išjunkite prietaisą ir ramiai palaukite, kol diskas visiškai sustos. Niekada nebandykite dar tebesisukančio pjaustymo disko ištraukti iš pjūvio, nes galite sukelti atatranką.** Nustatykite ir pašalinkite disko strigimo priežastis.
- ▶ **Elektrinio įrankio vėl neįjunkite tol, kol diskas yra ruošinyje. Leiskite pjaustymo diskui pasiekti darbinį sukimosi greitį ir tik tada atsargiai tęskite pjovimą.** Priešingu atveju diskas gali užsikabinti, iššokti iš ruošinio ar sukelti atatranką.
- ▶ **Plokštes arba didelių matmenų ruošinius atremkite, kad, užstrigus pjaustymo diskui, sumažėtų atatrunkos tikimybė.** Dideli ruošiniai dėl savo svorio gali įlįnti. Ruošinį reikia paremti iš abiejų disko pusių, tiek ties pjovimo plyšiu, tiek ir kraštuose.
- ▶ **Būkite ypač atsargūs vykdydami įleidžiamuosius pjūvius sienose arba kitose blogai matomose vietose.** Pjaustymo diskai gali įsispjauti į dujų ar vandentiekio vamzdžius, elektros laidus ar kitus objektus, kurie gali sukelti atatranką.

Specialūs saugos nurodymai vykdančioms šlifavimo švitrinu popieriumi darbus

- ▶ **Nenaudokite per didelių šlifavimo lapų, verčiau laikykitės gamintojo nurodymų dėl šlifavimo lapų dydžio.** Už šlifavimo lėkštės išsikišantys šlifavimo lapai gali suplyšti, sužaloti, sukelti blokavimą arba atatranką.

Specialūs saugos nurodymai dirbantiems su vieliniais šepetiais

- ▶ **Atkreipkite dėmesį, kad net įprastai naudojamas vielinis šepetys praranda vielutes. Per didele spaudimo jėga neperkraudite šepetio vielos.** Išsviestos vielutės gali lengvai prasiskverbti per plonus drabužius ir įsmigti į Jūsų odą.
- ▶ **Jei rekomenduojama naudoti apsauginį gaubtą, saugokite, kad šis nesiliestų su vieliniu šepetiu.** Dėl spaudimo ir išcentrinį jėgų gali padidėti lėkštės ir dubens formos šepetčių skersmuo.

2.1.3 Papildomi saugos nurodymai

Žmonių sauga

- ▶ Prietaisą naudokite tik tada, kai jis yra techniškai tvarkingas.
- ▶ Prietaisą draudžiama keisti ar kitaip juo manipuliuoti.
- ▶ Venkite liesti besisukančias prietaiso dalis – susižalojimo pavojus!
- ▶ Apsaugines pirštines mūvėkite ir keisdami įrankį. Liesdami keičiamąjį įrankį, galite susipjautyti ir nusideginti rankas.
- ▶ Prieš pradėdami dirbti, nustatykite darbo metu kilsiančių dulkių kenksmingumo klasę. Naudokite licencijuotą statybinį dulkių siurbli, atitinkantį apsaugos klasę pagal vietoje galiojančias apsaugos nuo dulkių normas. Tam tikrų medžiagų, pvz., dažų, kuriuose yra švino junginių, kai kurių medienos rūšių, betono / mūro / akmens, kuriuose yra kvarco ir kitų mineralų, taip pat metalo dulkės gali būti sveikatai kenksmingos.
- ▶ Pasirūpinkite, kad darbo vieta būtų gerai vėdinama, ir, jeigu reikia, užsidėkite atitinkamoms dulksėms skirtą kvėpavimo takus saugančią kaukę. Liečiamos ar įkvėptos tokios dulkės darbuotojui ar arti jo esantiems asmenims gali sukelti alergines reakcijas ir / arba kvėpavimo takų susirgimus. Ažuolo arba buko medienos dulkės gali sukelti vėžinius susirgimus, ypač tada, kai buvo naudojami priedai medienai apdoroti (chromatai, medienos konservantai). Medžiagas, kuriose yra asbesto, leidžiama apdoroti tik specialistams.
- ▶ Dirbdami darykite pertraukas ir atpalaidavimo pratimus pirštams, kad pagerėtų kraujotaka. Dirbanti ilgesnį laiką, vibracijos gali sukelti pirštų, plaštakos ar riešo sąnario kraujagyslių ar nervų sistemos pažeidimus.



Apsauga nuo elektros

- ▶ Prieš pradėdami dirbti, patikrinkite, ar darbo zonoje nėra paslėptų elektros laidų, dujų ar vandentiekio vamzdžių. Netyčia pažeidus elektros kabelį, išorinėse metalinėse prietaiso dalyse gali atsirasti įtampa, kelianti elektros smūgio pavojų.

Atsargus elektrinių įrankių naudojimas ir elgesys su jais

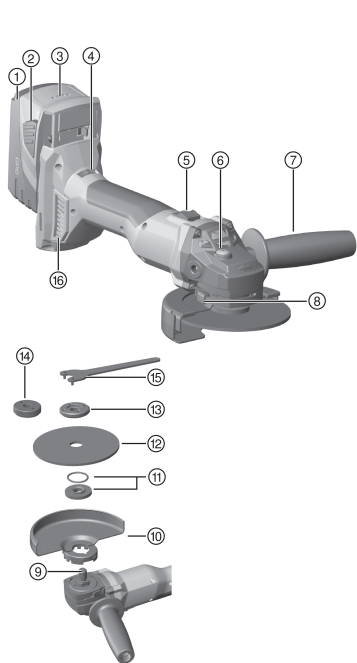
- ▶ Abrazyvinio pjaustymo diskų nenaudokite grubiajam šlifavimui.
- ▶ Keičiamąjį įrankį ir jungę tvirtai priveržkite. Jeigu keičiamasis įrankis ir jungė bus nepakankamai stipriai priveržti, kils pavojus, kad, prietaisą išjungus ir stabdant varikliu, keičiamasis įrankis atsilaisvins nuo veleno.
- ▶ Laikykitės gamintojo nurodymų dėl šlifavimo diskų naudojimo ir saugojimo.

2.1.4 Su akumuliatoriais elgtis atsargiai

- ▶ Laikykitės Li-Ion akumuliatorių specialiųjų transportavimo, sandėliavimo ir naudojimo direktyvų.
- ▶ Akumuliatorius saugokite nuo aukštos temperatūros, tiesioginių saulės spindulių ir ugnies.
- ▶ Akumuliatorius draudžiama ardyti, spausti, kaitinti iki aukštesnės kaip 80 °C temperatūros arba deginti.
- ▶ Nenaudokite ir neįkraukite akumuliatorių, kurie buvo patyrę smūgį, kritę iš didesnio kaip vieno metro aukščio ar yra kitokiu būdu pažeisti. Tokiu atveju visada kreipkitės į savo **Hilti techninės priežiūros centrą**.
- ▶ Jeigu į rankas paimtas akumuliatorius atrodo karštas, jis gali būti sugedęs. Prietaisą padėkite nedegioje vietoje toliau nuo degių medžiagų ir, nuolat stebėdami, leiskite atvėsti. Tokiu atveju visada kreipkitės į savo **Hilti techninės priežiūros centrą**.

3 Aprašymas

3.1 Prietaiso vaizdas 1



- ① Akumuliatorius
- ② Akumuliatoriaus atblokovimo mygtukas
- ③ Įkrovos lygio indikatorius
- ④ Greičio reguliavimo įtaisas
- ⑤ Jungiklis
- ⑥ Veleno fiksavimo mygtukas
- ⑦ Šoninė rankena
- ⑧ Gaubto atblokovimo mygtukas
- ⑨ Velenas
- ⑩ Standartinis apsauginis gaubtas
- ⑪ Fiksavimo jungė su apvalaus skerspjūvio tarpikliu
- ⑫ Abrazyvinis pjovimo diskas / grubaus šlifavimo diskas
- ⑬ Fiksavimo veržlė
- ⑭ Greitojo fiksavimo veržlė **Kwik lock** (užsukoma papildomai)
- ⑮ Priveržimo raktas
- ⑯ Dulkių filtras

3.2 Naudojimas pagal paskirtį

Aprašytasis prietaisas yra rankinis akumuliatorinis kampinis šliuoklis. Jis yra skirtas metalo ir mineralinių gamybinių medžiagų pjovimui abrazyviniais diskais bei grubiajam šlifavimui, valymui šepetiais, šlifavimui



švitrinium popieriumi, taip pat apdailos plytelių gręžimui, visais atvejais nenaudojant vandens. Jį leidžiama naudoti tik sausajam šlifavimui ir sausajam pjovimui.

- Prietaisą naudoti mineralinių gamybinių medžiagų pjovimui abrazyviniais diskais, griovelių pjovimui ir grubiajam šlifavimui leidžiama tik kartu su atitinkamu apsauginiu gaubtu (užsakomas papildomai).
- Apdirbant mineralines medžiagas, pavyzdžiui, betoną arba akmenį, naudoti suderintos sistemos dulkių nusiurbimo gaubtą su tinkamu **Hilti** dulkių siurbliu.
- ▶ Su šiuo prietaisu naudokite tik B 22 serijos **Hilti** ličio jonų akumulatorius.
- ▶ Šiems akumulatoriams įkrauti naudokite tik C4/36 serijos **Hilti** kroviklius.

3.3 Tiekiamas komplektas

Kampinis šlifukoelis, šoninė rankena, standartinis apsauginis gaubtas, priekinis dangtis, fiksavimo jungė, fiksavimo veržlė, priveržimo raktas, dulkių filtras, naudojimo instrukcija.

Daugiau Jūsų turimam prietaisui skirtų sisteminių reikmenų rasite vietinėje **Hilti Store** arba tinklalapyje www.hilti.group.

3.4 ATC

Prietaise įrengta elektroninė greitojo išjungimo sistema ATC (Active Torque Control).

Keičiamajam įrankiui užsiblokavus ar įstrigus, prietaisas staiga pradeda nekontroliuojamai sukintis priešinga kryptimi. ATC atpažįsta šį staigų sukamąjį judesį ir prietaisą tuojau pat išjungia.



Kad tinkamai vykdytų savo funkcijas, prietaisas turi galėti sukintis.

Po įvykusio greitojo išjungimo prietaisą išjungti ir vėl įjungti.

3.5 Prietaiso šiluminė apsauga

Variklio šiluminis apsauginis išjungiklis kontroliuoja vartojamos srovės dydį ir variklio išilimą, taip saugodamas prietaisą nuo perkaitimo.

Variklį perkrovus per didelę spaudimo jėgą, prietaiso galia pastebimai sumažėja, variklis gali netgi visiškai sustoti.

Jeigu dėl perkrovos diskas sustojo arba sumažėjo jo sukimosi greitis, reikia sumažinti disko spaudimo jėgą ir leisti prietaisui maždaug 30 sekundžių sukintis tuščiosios eigos greičiu.

3.6 Apsauginis gaubtas su priekiniu dangčiu 2

Metalinius ruošinius šlifuojant tiesiais grubaus šlifavimo diskais ir pjaunant abrazyviniais pjovimo diskais, reikia naudoti standartinį apsauginį gaubtą su priekiniu dangčiu.

3.7 Kompaktinis dulkių gaudymo gaubtas (pjovimui) DC-EX 125/5" C (reikmuo) 3

Deimantinius pjovimo diskais pjaunant mineralines medžiagas, reikia naudoti kompaktinį gaubtą DC-EX 125/5" C.

Apdorojant metalą, šį gaubtą naudoti draudžiama.

3.8 Dulkių gaudymo gaubtas (griovelių pjovimui) DC-EX 125/5" M (reikmuo) 4

Mineralinių medžiagų abrazyvinių pjovimo ir griovelių pjovimo darbus su deimantinius pjovimo diskais leidžiama vykdyti tik naudojant dulkių gaudymo gaubtą.

ATSARGIAI! Apdorojant metalą, šį gaubtą naudoti draudžiama.

3.9 Dulkių gaudymo gaubtas (šlifavimui) DG-EX 125/5" (reikmuo) 5

Ši šlifavimo sistema tinka tik retai pasitaikančiam mineralinių medžiagų šlifavimui deimantinius taurės formos šlifavimo diskais.

Apdorojant metalą, šį gaubtą naudoti draudžiama.

3.10 Ličio jonų akumulatoriaus įkrovos lygio indikatoriaus

Ličio jonų akumulatoriaus įkrovos lygis rodomas paspaudus vieną iš dviejų akumulatoriaus atblokavimo mygtukų.



Būseną	Reikšmė
Šviečia 4 diodai.	Įkrovos lygis: nuo 75 iki 100 %
Šviečia 3 diodai.	Įkrovos lygis: nuo 50 iki 75 %
Šviečia 2 diodai.	Įkrovos lygis: nuo 25 iki 50 %
Šviečia 1 diodas.	Įkrovos lygis: nuo 10 iki 25 %
1 šviesos diodas mirksi.	Įkrovos lygis: < 10 %

i Dirbant ir iškart po darbo įkrovos lygio įvertinti negalima. Mirksint akumuliatoriaus įkrovos lygio indikatorius šviesos diodams, laikykitės skyriuje „Pagalba sutrikus veikimui“ pateiktų nurodymų.

4 Eksploatacinės medžiagos

Leidžiama naudoti tik sintetinė derva surištus stiklopluoštinius maks. Ø 125 mm diskus, kurių leistinas sukimosi greitis yra ne mažesnis kaip 11 000 1/min, o leistinas apskritiminis greitis 80 m/s.

Leistinas grubaus šlifavimo diskų maks. storis siekia 6,4 mm, abrazyvinių pjovimo diskų maks. storis – 3,0 mm.

DĖMESIO! Pjaudami ir pjaudami griovelius abrazyviniais pjovimo diskais, visada naudokite standartinį apsauginį gaubtą su papildomu priekiniu dangčiu arba visiškai uždara dulkių gaudymo gaubtą.

Diskai

Tipas	Naudojimas	Sutartiniai ženklai	Pagrindas (apdirbamas paviršius, medžiaga)
Abrazyvinis pjovimo diskas	Pjovimas abrazyviniais diskais, griovelių pjovimas	AC-D	Metalas
Deimantinis pjovimo diskas	Pjovimas abrazyviniais diskais, griovelių pjovimas	DC-TP, DC-D (SPX, SP, P)	Mineralinės medžiagos
Abrazyvinis grubaus šlifavimo diskas	Grubusis šlifavimas	AG-D, AF-D, AN-D	Metalas
Deimantinis grubaus šlifavimo diskas	Grubusis šlifavimas	DG-CW (SPX, SP, P)	Mineralinės medžiagos
Vielinis šepetys	Vieliniai šepėčiai	3CS, 4CS, 3SS, 4SS	Metalas
Deimantinė gręžimo karūna	Apdailos plytelių gręžimas	DD-M14	Mineralinės medžiagos
Fibrinis diskas	Grubusis šlifavimas	AP-D	Metalas

Diskų priskyrimas naudojamai įrangai

Poz.	Įranga	AC-D	AG-D, AF-D, AN-D	DG-CW (SPX, SP, P)	DC-TP, DC-D (SPX, SP, P)	AP-D	3CS, 4CS, 3SS, 4SS, DD-M14
A	Apsauginis gaubtas	X	X	X	X	X	X
B	Priekinis dangtis (dirbant su „A“)	X	—	—	X	—	—
C	Dulkių gaudymo gaubtas (šlifavimui) DG-EX 125/5"	—	—	X	—	—	—
D	Dulkių gaudymo gaubtas (pjovimui) DC-EX 125/5"C (dirbant su „A“)	—	—	—	X	—	—
E	Dulkių gaudymo gaubtas (griovelių pjovimui) DC-EX 125/5"M	—	—	—	X	—	—



Poz.	Įranga	AC-D	AG-D, AF-D, AN-D	DG-CW (SPX, SP, P)	DC-TP, DC-D (SPX, SP, P)	AP-D	3CS, 4CS, 3SS, 4SS, DD-M14
F	Adapteris DC-EX SL (dirbant su „E“)	—	—	—	X	—	—
G	Šoninė rankena	X	X	X	X	X	X
H	Fiksavimo veržlė	X	X	X	X	—	—
I	Fiksavimo jungė	X	X	X	X	—	—
J	Kwik lock (papildo- mai užsakoma prie „H“)	X	X	—	X	—	—
K	Fiksavimo veržlė fibriniam diskui	—	—	—	—	X	—
L	Atraminė lėkštė	—	—	—	—	X	—

5 Techniniai duomenys

	AG 4S-A22-125
Nominalioji maitinimo įtampa	21,6 V
Nominalusis sukimosi greitis	8 500 aps./min.
Maksimalus disko skersmuo	125 mm
Svoris pagal „EPTA-Procedure 01“	3,1 kg
Pavaros veleno sriegis	M14
Veleno ilgis	22 mm
Darbinė aplinkos temperatūra	-17 °C ... 60 °C
Laikymo temperatūra	-20 °C ... 70 °C

5.1 Techniniai duomenys

Veleno ilgis	22 mm
Darbinė aplinkos temperatūra	-17 °C ... 60 °C
Laikymo temperatūra	-20 °C ... 70 °C

5.2 Akumulatorius

Akumulatoriaus darbinė įtampa	21,6 V
Darbinė aplinkos temperatūra	-17 °C ... 60 °C
Laikymo temperatūra	-20 °C ... 40 °C
Akumulatoriaus temperatūra, kai pradedama įkrauti	-10 °C ... 45 °C

5.3 Informacija apie triukšmą ir vibracijos reikšmės pagal EN 60745

Šiuose nurodymuose pateiktos garso slėgio ir vibracijos reikšmės yra išmatuotos taikant standartizuotą matavimo metodą ir gali būti naudojamos elektriniams įrankiams palyginti tarpusavyje. Jos taip pat tinka šių veiksmų poveikiui iš anksto įvertinti.

Nurodytieji duomenys yra susieti su pagrindinėmis šio elektrinio įrankio naudojimo sritimis. Jeigu elektrinis įrankis bus naudojamas kitaip, su skirtingais keičiamaisiais įrankiais arba bus nepakankamai techniškai prižiūrimas, šie duomenys gali skirtis nuo nurodytųjų. Tai gali gerokai padidinti šių veiksmų poveikį per visą darbo laikotarpį.

Norint tiksliai įvertinti poveikį, reikėtų įvertinti ir laiką, kai prietaisas yra išjungtas, arba, nors ir įjungtas, juo faktiškai nedirbama. Toks įvertinimas gali smarkiai sumažinti poveikio per visą darbo laikotarpį reikšmę.

Imkitės papildomų saugos priemonių, kad darbuotojas būtų apsaugotas nuo triukšmo ir / arba vibracijos poveikio, pavyzdžiui, reikalaukite tinkamos elektrinio įrankio ir keičiamųjų įrankių techninės priežiūros, pasirūpinkite, kad darbuotojų rankos visada būtų šiltos, užtikrinkite tinkamą darbo organizavimą.



Skleidžiamo garso slėgio lygis (L_{pA})	81,5 dB(A)
Garso slėgio lygio paklaida (K_{pA})	3 dB(A)
Garso stiprumo lygis (L_{WA})	92,5 dB(A)
Garso stiprumo lygio paklaida (K_{WA})	3 dB(A)

Informacija apie vibraciją

Naudojant kitiems darbams, pvz., pjaunant, vibracijos reikšmės gali būti kitokios.

Paviršių šlifavimas su vibracija slopinančia rankena ($a_{h,AG}$)	4,7 m/s ²
Šlifavimas švitriniumi su vibracija slopinančia rankena ($a_{h,DS}$)	5,3 m/s ²
Paklaida (K)	1,5 m/s ²

6 Eksploatavimo pradžia

6.1 Akumulatoriaus įkrovimas

1. Prieš pradėdami krauti, perskaitykite kroviklio naudojimo instrukciją.
2. Atkreipkite dėmesį, kad akumulatoriaus ir kroviklio kontaktai turi būti švarūs ir sausi.
3. Akumuliatorių įkraukite leistinu krovikliu.

6.2 Akumulatoriaus įdėjimas

⚠ ATSAUGIAI**Sužalojimo pavojus dėl trumpojo jungimo arba krintančio akumulatoriaus!**

- ▶ Prieš įdėdami akumuliatorių, įsitikinkite, kad jo ir prietaiso kontaktuose nėra pašalinių daiktų.
- ▶ Visada įsitikinkite, kad akumulatorius tinkamai užsifiksavo.

1. Prieš pirmą kartą naudodami, akumuliatorių pilnai įkraukite.
2. Akumuliatorių dėkite į prietaisą esantį laikiklį, kol girdimai užsifiksuos.
3. Patikrinkite, ar akumulatorius gerai užfiksuotas prietaise.

6.3 Akumulatoriaus išėmimas

1. Spauskite akumulatoriaus atfiksavimo mygtukus.
2. Akumuliatorių ištraukite iš prietaise esančio laikiklio.

6.4 Šoninės rankenos montavimas

- ▶ Šoninę rankeną įsukite į vieną iš jai skirtų srieginių įvorių.

6.5 Apsauginio gaubto montavimas arba išmontavimas

⚠ ATSAUGIAI**Sužalojimo pavojus.** Keičiamasis įrankis gali būti karštas arba turėti aštrias briaunas.

- ▶ Montuodami, išmontuodami, vykdydami nustatymo darbus ir šalindami sutrikimus, mūvėkite apsaugines pirštines.

- ▶ Laikykitės atitinkamo gaubto montavimo instrukcijos.

6.5.1 Standartinio apsauginio gaubto montavimas



Apsauginiame gaubte yra kodavimo kumšteliai, kurie užtikrina, kad prie prietaiso bus montuojamas tinkamas apsauginis gaubtas. Apsauginį gaubtą su jo kodavimo kumšteliais galima įstatyti į prietaiso gaubto kreipiančiąsias.

1. Apsauginį gaubtą uždėkite ant veleno kaklelio taip, kad trikampių simboliai ant prietaiso ir apsauginio gaubto būtų vienas priešais kitą.
2. Apsauginį gaubtą užstumkite ant veleno kaklelio.



3. Paspauskite gaubto atblokavimo mygtuką ir sukite apsauginį gaubtą į norimą padėtį, kol užsifiksuos.
 - ↳ Gaubto atblokavimo mygtukas atšoka.

6.5.2 Standartinio apsauginio gaubto padėties reguliavimas

- ▶ Paspauskite gaubto atblokavimo mygtuką ir sukite apsauginį gaubtą į norimą padėtį, kol užsifiksuos.

6.5.3 Standartinio apsauginio gaubto išmontavimas

1. Paspauskite gaubto atblokavimo mygtuką ir sukite apsauginį gaubtą tol, kol abu trikampių simboliai ant prietaiso ir apsauginio gaubto bus vienas priešais kitą.
2. Nuimkite apsauginį gaubtą.

6.6 Priekinio dangčio montavimas arba išmontavimas 7



Kai dirbant bus naudojamas priekinis dangtis, jis uždedamas ant apsauginio gaubto.

1. Priekinį dangtį uždaroja puse dėkite ant standartinio apsauginio gaubto, kol užsifiksuos.
2. Noredami išmontuoti, atidarykite priekinio dangčio fiksatorių ir dangtį nuimkite nuo standartinio apsauginio gaubto.

6.7 Keičiamųjų įrankių montavimas arba išmontavimas

ĮSPĖJIMAS

Sužalojimo pavojus. Stabdant prietaiso variklį, gali atsilaisvinti keičiamasis įrankis.

- ▶ Prieš liesdami keičiamąjį įrankį arba fiksavimo veržlę, palaukite, kol keičiamasis įrankis visiškai sustos.
- ▶ Keičiamąjį įrankį ir fiksavimo jungę fiksavimo veržle priveržkite tvirtai, kad, stabdant prietaiso variklį, nuo veleno negalėtų atsilaisvinti jokie elementai.

ATSARGIAI

Sužalojimo pavojus. Keičiamasis įrankis gali būti karštas.

- ▶ Keisdami keičiamąjį įrankį, mūvėkite apsaugines pirštines.



Deimantiniai diskai turi būti keičiami tada, kai pastebimai sumažėja jų pjovimo geba ir atitinkamai šlifavimo našumas. Paprastai taip atsitinka, kai deimantinių segmentų aukštis tampa mažesnis kaip 2 mm.

Kitų tipų diskai turi būti keičiami tada, kai pastebimai sumažėja jų pjovimo našumas arba kai kampinio šlifuko elementai (išskyrus diską) dirbant ima liesti apdirbamą medžiagą.

Abrazyviniai diskai turi būti keičiami ir pasibaigus jų galiojimo terminui.

6.7.1 Keičiamojo įrankio montavimas 8

1. Akumuliatorių išimkite. → psl. 124
2. Patikrinkite, ar fiksavimo jungėje yra apvalaus skerspjuvio tarpiklis ir ar jis nėra pažeistas.

Rezultatas

Apvalaus skerspjuvio tarpiklis yra pažeistas.

Fiksavimo jungėje nėra apvalaus skerspjuvio tarpiklio.

- ▶ Naudokite naują fiksavimo jungę su apvalaus skerspjuvio tarpikliu.
3. Fiksavimo jungę uždėkite ant veleno taip, kad sutaptų su montavimo vietos geometrine forma ir neprasisuktų.
 4. Uždėkite keičiamąjį įrankį.
 5. Priklausomai nuo uždėto keičiamojo įrankio, priveržkite fiksavimo veržlę.
 6. Laikykite nuspaudę veleno fiksavimo mygtuką.
 7. Specialiuoju priveržimo raktu priveržkite fiksavimo veržlę, atleiskite veleno blokavimo mygtuką, tada priveržimo raktą nuimkite.

6.7.2 Keičiamojo įrankio išmontavimas

1. Akumuliatorių išimkite. → psl. 124



⚠ ATSAUGIAI

Lūžimo ir sugadinimo pavojus. Jei veleno fiksavimo mygtukas paspaudžiamas velenui sukantis, keičiamasis įrankis gali atsilaisvinti.

- ▶ Veleno fiksavimo mygtuką spauskite tik tada, kai velenas nesisuka.
2. Laikykite nuspaudę veleno fiksavimo mygtuką.
 3. Atlaisvinkite fiksavimo veržlę: uždėkite priveržimo raktą ir sukite jį prieš laikrodžio rodyklę.
 4. Atleiskite veleno fiksavimo mygtuką ir išimkite keičiamąjį įrankį.

6.7.3 Keičiamojo įrankio montavimas naudojant greitojo fiksavimo veržlę **Kwik lock 9****⚠ ATSAUGIAI**

Lūžimo pavojus. Dėl per didelio nusidėvėjimo greitojo fiksavimo veržlė **Kwik lock** gali lūžti.

- ▶ Dirbdami kontroliuokite, kad greitojo fiksavimo veržlė **Kwik lock** neliestų apdirbamos medžiagos.
- ▶ Nenaudokite pažeistos greitojo fiksavimo veržlės **Kwik lock**.



Vietoje standartinės fiksavimo veržlės galima naudoti greitojo fiksavimo veržlę **Kwik lock** (užsakoma papildomai). Tuomet keičiamuosius įrankius galima keisti nenaudojant papildomo įrankio.

1. Akumuliatorių išimkite. → psl. 124
2. Patikrinkite, ar fiksavimo jungėje yra apvalaus skerspjuvio tarpiklis ir ar jis nėra pažeistas.

Rezultatas

Apvalaus skerspjuvio tarpiklis yra pažeistas.

Fiksavimo jungėje nėra apvalaus skerspjuvio tarpiklio.

- ▶ Naudokite naują fiksavimo jungę su apvalaus skerspjuvio tarpikliu.
3. Nuvalykite fiksavimo jungę ir greitojo fiksavimo veržlę.
 4. Ant veleno uždėkite fiksavimo jungę.
 5. Uždėkite keičiamąjį įrankį.
 6. Greitojo fiksavimo veržlę **Kwik lock** sukite tol, kol priglus prie keičiamojo įrankio.
 - ↳ Užsuktoje padėtyje yra matomas užrašas **Kwik lock**.
 7. Laikykite nuspaudę veleno fiksavimo mygtuką.
 8. Ranka toliau tvirtai sukite keičiamąjį įrankį pagal laikrodžio rodyklę, kol greitojo fiksavimo veržlė **Kwik lock** patikimai užsiverš, paskui atleiskite veleno fiksavimo mygtuką.

6.7.4 Keičiamojo įrankio išmontavimas naudojant greitojo fiksavimo veržlę **Kwik lock**

1. Akumuliatorių išimkite. → psl. 124

⚠ ATSAUGIAI

Lūžimo ir sugadinimo pavojus. Jei veleno fiksavimo mygtukas paspaudžiamas velenui sukantis, keičiamasis įrankis gali atsilaisvinti.

- ▶ Veleno fiksavimo mygtuką spauskite tik tada, kai velenas nesisuka.
2. Laikykite nuspaudę veleno fiksavimo mygtuką.
 3. Greitojo fiksavimo veržlę **Kwik lock** atlaisvinkite, ranka sukdami prieš laikrodžio rodyklę.
 4. Jeigu greitojo fiksavimo veržlės **Kwik lock** ranka atlaisvinti nepajėgiate, uždėkite ant jos priveržimo raktą ir sukite prieš laikrodžio rodyklę.



Kad greitojo fiksavimo veržlės **Kwik lock** nepažeistumėte, niekada nenaudokite vamzdžių rakto.

5. Atleiskite veleno fiksavimo mygtuką ir išimkite keičiamąjį įrankį.

6.7.5 Gręžimo karūnos montavimas 10

1. Akumuliatorių išimkite. → psl. 124
2. Sumontuokite šoninę rankeną. → psl. 124
3. Sumontuokite standartinį apsauginį gaubtą.
4. Gręžimo karūną uždėkite ir stipriai prisukite ranka.
5. Laikykite nuspaudę veleno fiksavimo mygtuką.
6. Gręžimo karūną priveržkite tinkamu veržliniu raktu.



7. Paskui atleiskite veleno fiksavimo mygtuką ir nuimkite veržlinį raktą.

6.7.6 Vielinio šepetio montavimas **11**

1. Akumuliatorių išimkite. → psl. 124
2. Sumontuokite šoninę rankeną. → psl. 124
3. Sumontuokite standartinį apsauginį gaubtą.
4. Vielinį šepetį uždėkite ir stipriai prisukite ranka.
5. Laikykite nuspaudę veleno fiksavimo mygtuką.
6. Vielinį šepetį priveržkite tinkamu veržliniu raktu.
7. Paskui atleiskite veleno fiksavimo mygtuką ir nuimkite veržlinį raktą.

6.7.7 Fibrinio disko montavimas **12**

1. Akumuliatorių išimkite. → psl. 124
2. Sumontuokite šoninę rankeną. → psl. 124
3. Sumontuokite standartinį apsauginį gaubtą.
4. Uždėkite atraminę lėkštę ir fibrinį diską ir užsukite fiksavimo veržlę.
5. Laikykite nuspaudę veleno fiksavimo mygtuką.
6. Priveržimo raktu priveržkite fiksavimo veržlę.
7. Paskui atleiskite veleno fiksavimo mygtuką ir nuimkite priveržimo raktą.

7 Naudojimas

7.1 Įjungimas

1. Spauskite galinę jungiklio dalį.
2. Pastumkite jungiklį į priekį.
 - ↳ Variklis sukasi.
3. Jungiklį užblokuokite.

7.2 Šlifavimas

ATSARGIAI

Sužalojimo pavojus. Keičiamasis įrankis gali netikėtai užsiblokuoti arba ką nors užkabinti.

- ▶ Prietaisą naudokite su šonine rankena ir jį visada tvirtai laikykite abiem rankomis.

7.3 Pjovimas abrazyviniais diskais

- ▶ Pjudami abrazyviniais diskais, dirbkite su saikinga pastūma ir nesukiokite prietaiso arba abrazyvinio pjovimo disko (darbinė padėtis yra maždaug 90° kampu į pjaunamą plokštumą).



Profiliai ir maži keturkampiai vamzdžiai pjaustomi geriausiai, kai abrazyvinis pjovimo diskas pridėdamas mažiausio skerspjūvio vietoje.

7.4 Grubusis šlifavimas

ATSARGIAI

Sužalojimo pavojus. Abrazyvinio pjaustymo diskas gali trūkti ir skriejančios jo skeveldros gali sužaloti.

- ▶ Abrazyvinio pjaustymo diskų niekada nenaudokite grubiajam šlifavimui.
- ▶ Nustatę nuo 5° iki 30° atakos kampą ir saikingai spausdami, stumdykite prietaisą pirmyn ir atgal.
 - ↳ Ruošinyje neįkaiš, nepakeis spalvos ir ant jo nesusidarys grioveliai.

7.5 Išjungimas

- ▶ Spauskite galinę jungiklio dalį.
 - ↳ Jungiklis peršoka į išjungimo padėtį ir variklis sustoja.



2233926

8 Priežiūra ir einamasis remontas



ISPĖJIMAS

Sužalojimo pavojus kai įstatytas akumulatorius !

- ▶ Prieš pradėdami bet kokius techninės priežiūros ir einamojo remonto darbus, akumuliatorių iš prietaiso išimkite!
-

Prietaiso priežiūra

- Atsargiai pašalinti pilipusius nešvarumus.
- Nuimti dulkių filtrą ir atsargiai išvalyti jį ir vėdinimo plyšius sausu šepetėliu.
- Korpusą valyti tik šiek tiek sudrėkinta šluoste. Nenaudoti silikono turinčių priežiūros priemonių, nes jos gali pakenkti plastikinėms detalėms.

Ličio jonų akumuliatorių priežiūra

- Akumuliatorių saugoti nuo alyvos ir tepalo.
- Korpusą valyti tik šiek tiek sudrėkinta šluoste. Nenaudoti silikono turinčių priežiūros priemonių, nes jos gali pakenkti plastikinėms detalėms.
- Saugoti, kad į vidų neprasisverkbtų drėgmė.

Einamasis remontas

- Reguliariai tikrinti, ar matomos dalys nėra pažeistos ir ar valdymo elementai veikia nepriekaištingai.
 - Pažeisto ir / arba turinčio veikimo sutrikimų prietaiso nenaudoti. Nedelsiant kreiptis į **Hilti** techninės priežiūros centrą dėl remonto.
 - Baigus techninės priežiūros ir einamojo remonto darbus, sumontuoti visus apsauginius įtaisus ir patikrinti jų veikimą.
-



Kad eksploatacija būtų patikima, naudokite tik originalias atsargines dalis ir eksploatacines medžiagas. Mūsų aprobuotas atsargines dalis, eksploatacines medžiagas ir reikmenis savo prietaisui rasite vietinėje **Hilti Store** arba tinklalapyje **www.hilti.group**.

9 Akumuliatorių prietaisų transportavimas ir sandėliavimas

Transportavimas



ATSARGIAI

Atsitiktinis įjungimas transportuojant !

- ▶ Savo prietaisus visada transportuokite tik išėmę akumulatorius!
- ▶ Išimti akumulatorius.
- ▶ Akumuliatorių niekada netransportuoti sumetus į krūvą su kitais daiktais.
- ▶ Prieš naudojant po ilgesnio transportavimo, patikrinti, ar prietaisai ir akumulatoriai nėra pažeisti.

Sandėliavimas



ATSARGIAI

Atsitiktinis pažeidimas dėl sugedusių ar išsiliejusių akumuliatorių !

- ▶ Savo prietaisus visada laikykite tik išėmę akumulatorius!
 - ▶ Prietaisą ir akumulatorius pagal galimybes laikyti sausoje ir vėsioje vietoje.
 - ▶ Akumuliatorių jokia būdu nelaikyti saulės atokaitoje, ant šildymo prietaisų ar už automobilio lango stiklo.
 - ▶ Prietaisą ir akumulatorius laikyti vaikams bei neįgaliesiems neprieinamoje vietoje.
 - ▶ Prieš naudojant po ilgesnio sandėliavimo, patikrinti, ar prietaisai ir akumulatoriai nėra pažeisti.
-

10 Pagalba sutrikus veikimui

Pasitaikius sutrikimų, kurie nėra aprašyti šioje lentelėje arba kurių negalite pašalinti patys, kreipkitės į **Hilti** techninės priežiūros centrą.



10.1 Sutrikimų paieška

Sutrikimas	Galima priežastis	Sprendimas
Akumulatorius išsenka greičiau negu įprastai.	Labai žema aplinkos temperatūra.	▶ Leiskite akumulatoriui lėtai įšilti iki patalpos temperatūros.
Akumulatorius neužsifiksuoja girdimu spragtelėjimu.	Užteršti akumulatoriaus fiksatoriai.	▶ Fiksatorius išvalykite ir akumulatorių įdėkite iš naujo.
1 šviesos diodas mirksi. Prietaisas neveikia.	Akumulatorius yra išsekęs.	▶ Akumuliatorių pakeiskite, o išsekusį – įkraukite.
	Akumulatorius yra per šaltas arba per karštas.	▶ Leiskite akumulatoriui lėtai įšilti arba atvėsti iki patalpos temperatūros.
Mirksi visi 4 šviesos diodai. Prietaisas neveikia.	Prietaisas perkrautas.	▶ Valdymo jungiklį atleiskite ir vėl paspauskite. Tada leiskite prietaisui maždaug 30 sekundžių sukintis tuščiajame eiga.
Kampinis šlifjuoklis arba akumuliatorius stipriai kaista.	Elektrinis gedimas	▶ Prietaisą nedelsiant išjunkite, išimkite akumulatorių ir stebėkite jį, leiskite jam atvėsti ir susisiekite su Hilti techninės priežiūros centru.
Prietaisas veikia ne visa galia.	Įdėtas per mažos talpos akumuliatorius.	▶ Naudokite pakankamos talpos akumuliatorių.
Neveikia variklio stabdymo funkcija.	Akumulatorius yra išsekęs.	▶ Akumuliatorių pakeiskite, o išsekusį – įkraukite.
	Prietaisas trumpam perkrautas.	▶ Prietaisą išjunkite ir vėl įjunkite.

11 RoHS (direktiva dėl pavojingų medžiagų naudojimo ribojimo)

Pavojingų medžiagų lentelę rasite spausdami šią nuorodą: qr.hilti.com/r9884540.

Nuorodą į RoHS lentelę rasite kaip QR kodą šios instrukcijos gale.

12 Utilizavimas

Hilti prietaisai yra pagaminti iš medžiagų, kurias galima naudoti antrą kartą. Būtina antrinio perdirbimo sąlyga yra tinkamas medžiagų išrūšiavimas. Daugelyje šalių **Hilti** priims Jūsų nebenaudojamą prietaisą perdirbti. Apie tai galite pasiteirauti artimiausiame **Hilti** techninės priežiūros centre arba savo prekybos konsultanto.

Akumuliatorių utilizavimas

Dėl netinkamo akumuliatorių utilizavimo į aplinką pasklidusios dujos ar ištėkėję skysčiai gali kelti grėsmę sveikatai.

- ▶ Pažeistų akumuliatorių nesiųskite paštu ir nepervežkite!
- ▶ Kad būtų išvengta trumpojo jungimo, jungtis uždenkite elektrai nelaidžia medžiaga.
- ▶ Akumuliatorius utilizuokite taip, kad jie negalėtų patekti į vaikų rankas.
- ▶ Akumuliatorių pristatykite utilizuoti į savo **Hilti Store** arba kreipkitės į vietinę kompetentingą utilizavimo įmonę.



- ▶ Elektrinių įrankių, elektroninių prietaisų ir akumuliatorių neišmeskite į buitinius šiukšlynus!

13 Gamintojo teikiama garantija

- ▶ Kilus klausimų dėl garantijos sąlygų, kreipkitės į vietinį **Hilti** partnerį.



2233926

Lietuvių 129

1 Указания к документации

1.1 Об этом документе



Импортер и уполномоченная изготовителем организация

- (RU) Российская Федерация
АО "Хилти Дистрибьюшн ЛТД", 141402, Московская область, г. Химки, ул. Ленинградская, стр. 25
- (BY) Республика Беларусь
222750, Минская область, Дзержинский район, Р-1, 18-й км, 2 (около д. Слободка), помещение 1-34
- (KZ) Республика Казахстан
Республика Казахстан, индекс 050011, г. Алматы, ул. Пугачева 4
- (KG) Киргизская Республика
ОсОО "Т AND Т", 720021, Кыргызстан, Бишкек, ул. Ибраимова 29 А
- (AM) Республика Армения
ООО Эйч-Кон, Республика Армения, г. Ереван, ул. Бабаяна 10/1

Страна производства: см. маркировочную табличку на оборудовании.

Дата производства: см. маркировочную табличку на оборудовании.

Соответствующий сертификат можно найти по адресу: www.hilti.ru

Специальных требований к условиям хранения, транспортировки и использования, кроме указанных в руководстве по эксплуатации, нет.

Срок службы изделия составляет 5 лет.

- Ознакомьтесь с этим документом перед началом работы. Это является залогом безопасной работы и бесперебойной эксплуатации.
- Соблюдайте указания по технике безопасности и предупреждающие указания, приводимые в данном документе и на изделии.
- Храните руководство по эксплуатации всегда рядом с электроинструментом и передавайте электроинструмент будущим владельцам только вместе с этим руководством.

1.2 Пояснение к знакам (условным обозначениям)

1.2.1 Предупреждающие указания

Предупреждающие указания служат для предупреждения об опасностях при обращении с машиной. Используются следующие сигнальные слова:

**ОПАСНО**

ОПАСНО !

- Общее обозначение непосредственной опасной ситуации, которая влечет за собой тяжелые травмы или смертельный исход.

**ПРЕДУПРЕЖДЕНИЕ**

ПРЕДУПРЕЖДЕНИЕ !

- Общее обозначение потенциально опасной ситуации, которая может повлечь за собой тяжелые травмы или смертельный исход.

**ОСТОРОЖНО**

ОСТОРОЖНО !

- Общее обозначение потенциально опасной ситуации, которая может повлечь за собой легкие травмы или повреждение оборудования.

1.2.2 Символы, используемые в руководстве

В этом руководстве используются следующие символы:



Перед использованием прочтите руководство по эксплуатации.



	Указания по эксплуатации и другая полезная информация
	Обращение с материалами, пригодными для вторичной переработки
	Не выбрасывайте электроустройства и аккумуляторы вместе с обычным мусором!

1.2.3 Символы на изображениях

На изображениях используются следующие символы:

	Эти цифры указывают на соответствующее изображение в начале данного руководства.
3	Нумерация на изображениях отображает порядок выполнения рабочих операций и может отличаться от нумерации, используемой в тексте.
	Номера позиций используются в обзорном изображении. В обзоре изделия они указывают на номера в экспликации.
	Этот знак должен привлечь особое внимание пользователя при обращении с изделием.

1.3 Символы в зависимости от изделия

1.3.1 Символы на изделии

На изделии используются следующие символы:

	Используйте защитные очки
n	Номинальная частота вращения
/min	оборотов в минуту (об/мин)
RPM	оборотов в минуту (об/мин)
	Диаметр
	Постоянный ток
	Беспроводная передача данных
Li-Ion	Литий-ионный аккумулятор
	Серия используемых литий-ионных аккумуляторов HilTI . Соблюдайте указания, приведенные в главе Использование по назначению .

1.4 Информация об изделии

Изделия предназначены для профессионального использования, поэтому они должны обслуживаться и ремонтироваться только уполномоченным и обученным персоналом. Этот персонал должен пройти специальный инструктаж по технике безопасности. Использование изделия и его оснастки не по назначению или его эксплуатация необученным персоналом могут представлять опасность.

Типовое обозначение и серийный номер указаны на заводской табличке.

- ▶ Перепишите серийный номер в нижеприведенную табличную форму. Данные изделия необходимы при обращении в наше представительство или сервисный центр.

Данные изделия

Угловая шлифмашина	AG 4S-A22
Поколение	01
Серийный номер	



2233926

1.5 Декларация соответствия нормам

Настоящим мы с полной ответственностью заявляем, что данное изделие соответствует действующим директивам и нормам. Копию декларации соответствия нормам см. в конце этого документа.

Техническая документация (оригиналы) хранится здесь:

Hilti Entwicklungsgesellschaft mbH | Zulassung Geräte | Hiltistraße 6 | 86916 Kaufering, Германия

2 Безопасность

2.1 Указания по технике безопасности

2.1.1 Общие указания по технике безопасности для электроинструментов

⚠ ПРЕДУПРЕЖДЕНИЕ Изучите все указания по технике безопасности, инструкции, иллюстрации и технические данные, которые прилагаются к данному электроинструменту. Несоблюдение приводимых ниже указаний может привести к поражению электрическим током, пожару и/или тяжелым травмам.

Сохраните все указания по технике безопасности и инструкции для следующего пользователя.

Используемый далее термин «электроинструмент» относится к электроинструменту, работающему от электрической сети (с кабелем электропитания) и от аккумулятора (без кабеля электропитания).

Безопасность рабочего места

- ▶ Следите за чистотой и хорошей освещенностью на рабочем месте. Беспорядок на рабочем месте или плохое освещение могут привести к несчастным случаям.
- ▶ Не используйте электроустройство/электроинструмент во взрывоопасной зоне, где имеются горючие жидкости, газы или пыль. При работе электроустройство/электроинструмент искрит, и искры могут воспламенить пыль или пары/газы.
- ▶ Не разрешайте детям и посторонним приближаться к работающему электроустройству/электроинструменту. Отвлекаясь от работы, можно потерять контроль над электроустройством/электроинструментом.

Электрическая безопасность

- ▶ Соединительная вилка электроинструмента должна соответствовать розетке электросети. Не изменяйте конструкцию вилки! Не используйте переходные вилки с электроинструментами с защитным заземлением. Использование оригинальных вилок и соответствующих им розеток снижает риск поражения электрическим током.
- ▶ Избегайте непосредственного контакта с заземленными поверхностями, например с трубами, отопительными приборами, газо-/электропластинами и холодильниками. При контакте с заземленными предметами возникает повышенный риск поражения электрическим током.
- ▶ Предохраняйте электроинструменты от дождя или воздействия влаги. В результате попадания воды в электроинструмент возрастает риск поражения электрическим током.
- ▶ Не используйте кабель электропитания не по назначению, например для переноски электроинструмента, его подвешивания или для выдергивания вилки из розетки электросети. Защищайте кабель электропитания от воздействий высоких температур, масла, острых кромок или вращающихся деталей/узлов. В результате повреждения или слесывания кабелей электропитания повышается риск поражения электрическим током.
- ▶ Если работы с электроинструментом выполняются на открытом воздухе, применяйте только удлинительные кабели, которые разрешено использовать вне помещений. Использование удлинительного кабеля, пригодного для использования вне помещений, снижает риск поражения электрическим током.
- ▶ Если избежать работы с электроинструментом в условиях влажности не представляется возможным, используйте автомат защиты от тока утечки. Использование автомата защиты от тока утечки снижает риск поражения электрическим током.

Безопасность персонала

- ▶ Будьте внимательны, следите за своими действиями и серьезно относитесь к работе с электроинструментом. Не пользуйтесь электроинструментом, если вы устали или находитесь под действием наркотиков, алкоголя или медикаментов. Незначительная ошибка при невнимательной работе с электроинструментом может стать причиной серьезного травмирования.
- ▶ Используйте средства индивидуальной защиты и всегда надевайте защитные очки. Использование средств индивидуальной защиты, например респиратора, защитной обуви на нескользящей подошве, защитной каски или защитных наушников, в зависимости от вида и условий эксплуатации электроинструмента, снижает риск травмирования.



- ▶ **Избегайте непреднамеренного включения электроинструмента. Убедитесь в том, что электроинструмент выключен, прежде чем подключить его к электропитанию и/или вставить аккумулятор, поднимать или переносить электроинструмент.** Ситуации, когда при переноске электроинструмента палец находится на выключателе или когда включенный электроинструмент подключается к электросети, могут привести к несчастным случаям.
- ▶ **Перед включением электроинструмента удалите регулировочные приспособления или гаечные ключи.** Рабочий инструмент или гаечный ключ, находящийся во вращающейся части электроинструмента, может стать причиной получения травм.
- ▶ **Старайтесь избегать неестественных поз при работе. Постоянно сохраняйте устойчивое положение и равновесие.** Это позволит лучше контролировать электроинструмент в непредвиденных ситуациях.
- ▶ **Носите спецодежду. Не надевайте очень свободную одежду или украшения. Оберегайте волосы, одежду и защитные перчатки от вращающихся узлов электроинструмента.** Свободная одежда, украшения и длинные волосы могут быть захвачены ими.
- ▶ **Если предусмотрено подсоединение устройств для удаления и сбора пыли, убедитесь в том, что они подсоединены и используются по назначению.** Использование пылеудаляющего аппарата снижает вредное воздействие пыли.
- ▶ **Не пребывайте в ложной уверенности в собственной безопасности и не пренебрегайте правилами техники безопасности электроинструментов, даже если вы являетесь опытным пользователем электроинструмента.** Неосторожное обращение может в течение долей секунды стать причиной получения тяжелых травм.

Использование и обслуживание электроинструмента

- ▶ **Не допускайте перегрузки электроинструмента. Используйте электроинструмент, предназначенный именно для данной работы.** Соблюдение этого правила обеспечит более высокое качество и безопасность работы в указанном диапазоне мощности.
- ▶ **Не используйте электроинструмент с неисправным выключателем.** Электроинструмент, включение или выключение которого затруднено, представляет опасность и должен быть отремонтирован.
- ▶ **Прежде чем приступить к регулировке электроинструмента, замене принадлежностей или перед перерывом в работе выньте вилку из розетки и/или аккумулятор из электроинструмента.** Данная мера предосторожности позволит предотвратить непреднамеренное включение электроинструмента.
- ▶ **Храните неиспользуемые электроинструменты в местах, недоступных для детей. Не позволяйте использовать электроинструмент лицам, которые не ознакомлены с ним или не читали эти инструкции.** Электроинструменты представляют собой опасность в руках неопытных пользователей.
- ▶ **Бережно обращайтесь с электроинструментами и принадлежностями. Проверяйте безупречное функционирование подвижных частей, легкость их хода, целостность и отсутствие повреждений, которые могли бы отрицательно повлиять на работу электроинструмента. Сдавайте поврежденные части электроинструмента в ремонт до его использования.** Причиной многих несчастных случаев является несоблюдение правил технического обслуживания электроинструментов.
- ▶ **Необходимо следить за тем, чтобы режущие инструменты были острыми и чистыми.** Заклинивание содержащихся в надлежащем состоянии режущих инструментов происходит реже, ими легче управлять.
- ▶ **Применяйте электроинструмент, принадлежности (оснастку), рабочие инструменты и т. д. согласно данным указаниям. Учитывайте при этом рабочие условия и характер выполняемой работы.** Использование электроинструментов не по назначению может привести к опасным ситуациям.
- ▶ **Замасленные рукоятки и поверхности для хвата немедленно очищайте — они должны быть сухими и чистыми.** Скользкие рукоятки и поверхности для хвата не обеспечивают безопасное управление и контроль электроинструмента в непредвиденных ситуациях.

Использование и обслуживание аккумуляторного инструмента

- ▶ **Заряжайте аккумуляторы только с помощью зарядных устройств, рекомендованных изготовителем.** При использовании зарядного устройства для зарядки несоответствующих ему типов аккумуляторов существует опасность возгорания.
- ▶ **Используйте только оригинальные аккумуляторы, рекомендованные специально для этого электроинструмента.** Использование других аккумуляторов может привести к травмам и опасности возгорания.



- ▶ **Неиспользуемые аккумуляторы храните вдали от скрепок, монет, ключей, гвоздей, шурупов или других мелких металлических предметов, которые могут стать причиной замыкания контактов.** Замыкание контактов аккумулятора может привести к ожогам или возгоранию.
- ▶ **При неверном обращении с аккумулятором из него может вытечь электролит. Избегайте контакта с ним. При случайном контакте смойте водой. При попадании электролита в глаза немедленно обратитесь за помощью к врачу.** Вытекший из аккумулятора электролит может привести к раздражению кожи или ожогам.
- ▶ **Не используйте поврежденный или измененный аккумулятор.** Поврежденные или измененные аккумуляторы могут функционировать непредсказуемо и стать причиной возгорания, взрыва или травмирования.
- ▶ **Не подвергайте аккумулятор воздействию огня или слишком высоких температур.** Огонь или температура свыше 130 °C могут спровоцировать взрыв аккумулятора.
- ▶ **Соблюдайте все указания по зарядке и никогда не заряжайте аккумулятор или аккумуляторный инструмент вне температурного диапазона, указанного в руководстве по эксплуатации.** Неправильная зарядка/зарядка вне указанного в руководстве по эксплуатации температурного диапазона могут привести к разрушению аккумулятора и повышают опасность возгорания.

Сервис

- ▶ **Доверяйте ремонт своего электроинструмента только квалифицированному персоналу, использующему только оригинальные запчасти.** Этим обеспечивается поддержание электроинструмента в безопасном состоянии.
- ▶ **Категорически запрещается выполнять обслуживание поврежденных аккумуляторов.** Все технические работы с аккумуляторами должны выполняться только производителем или авторизованными сервисными мастерами.

2.1.2 Общие указания по технике безопасности при шлифовании, шлифовании с использованием абразивной шкурки, работе с проволочными щетками (крацевании), полировании и абразивной резке кругом:

- ▶ **Этот электроинструмент предназначен для использования в качестве шлифмашины, инструмента для шлифования абразивной шкуркой, инструмента для крацевания и машины для абразивной резки. Соблюдайте все указания по технике безопасности, инструкции, схемы и данные, полученные вами вместе с электроинструментом.** Несоблюдение нижеприведенных указаний может привести к поражению электрическим током, пожару и/или серьезным травмам.
- ▶ **Этот электроинструмент не предназначен для полирования.** Использование электроинструмента не по назначению может привести к возникновению опасных ситуаций и стать причиной травмирования.
- ▶ **Не используйте принадлежности, которые не были разработаны или рекомендованы изготовителем специально для данного электроинструмента.** То обстоятельство, что вам удалось закрепить какую-либо принадлежность на электроинструменте, не гарантирует вам его безопасной эксплуатации.
- ▶ **Предельно допустимая частота вращения, указанная на рабочем инструменте, не должна быть больше максимальной частоты вращения, указанной на электроинструменте.** Рабочий инструмент, вращающийся с частотой больше допустимой, может разрушиться.
- ▶ **Наружный диаметр и толщина рабочего инструмента должны соответствовать размерам электроинструмента.** Рабочие инструменты, размеры которых не соответствуют требуемым, не могут экранироваться или контролироваться в достаточной степени.
- ▶ **Рабочие инструменты с резьбой должны в точности подходить к шпинделю.** Диаметр посадочного отверстия рабочего инструмента, устанавливаемого посредством фланца, должен соответствовать рабочему диаметру фланца. Рабочие инструменты, которые закреплены на электроинструменте неправильно, вращаются неравномерно, становятся причиной возникновения сильных вибраций и приводят к потере контроля.
- ▶ **Не используйте поврежденные рабочие инструменты.** Перед каждой эксплуатацией проверяйте рабочие инструменты (шлифкруги) на сколы и трещины, опорные тарелки на трещины, износ или сильное истирание, проволочные щетки на излом или отрыв проволоки. После падения электроинструмента или рабочего инструмента проверьте их на отсутствие повреждений или выполните замену рабочего инструмента. При использовании вращающегося рабочего инструмента работающий с электроинструментом и находящийся рядом лица должны находиться на безопасном расстоянии от него. Необходимо дать поработать электроинструменту в течение минуты с максимальной частотой вращения. Неисправные рабочие инструменты выходят из строя чаще всего во время этого контрольного промежутка времени.
- ▶ **Используйте средства индивидуальной защиты. В зависимости от условий используйте защитную маску или защитные очки. При необходимости надевайте респиратор, защитные**



наушники, защитные перчатки или специальный фартук, который защитит вас от мелких частиц обрабатываемого материала. Необходимо обеспечить защиту глаз от попадания частиц, образующихся при выполнении различных работ. Возникающая при работе пыль должна задерживаться пылезаститным фильтром респиратора. При слишком долгом воздействии сильного шума возможна потеря слуха.

- ▶ **Следите за тем, чтобы посторонние лица находились на безопасном расстоянии от рабочей зоны. Любой человек, находящийся в рабочей зоне, должен использовать средства индивидуальной защиты.** Обломки заготовки или осколки разломившихся рабочих инструментов могут отлетать в стороны и травмировать даже за пределами рабочей зоны.
- ▶ **При опасности повреждения рабочим инструментом скрытой электропроводки держите электроинструмент только за изолированные поверхности.** При контакте с токопроводящей линией металлические части электроинструмента также находятся под напряжением, что может привести к поражению электрическим током.
- ▶ **Держите кабель электропитания на безопасном расстоянии от вращающихся рабочих инструментов.** В случае потери контроля над электроинструментом кабель электропитания может быть перерезан, а ваша рука затянута в зону вращения рабочего инструмента.
- ▶ **Не кладите электроинструмент до полной остановки рабочего инструмента.** Вращающийся рабочий инструмент может соприкоснуться с опорной поверхностью, вследствие чего вы можете потерять контроль над электроинструментом.
- ▶ **Не допускайте включения электроинструмента во время его переноски.** Вращающийся рабочий инструмент может случайно захватить края вашей одежды и при последующем вращении травмировать вас.
- ▶ **Регулярно очищайте вентиляционные прорези электроинструмента.** Повышенная концентрация металлической пыли, засасываемой в корпус двигателя, может создать опасность поражения электрическим током.
- ▶ **Не используйте электроинструмент вблизи воспламеняющихся материалов.** Попадание искр может воспламенить подобные материалы.
- ▶ **Не используйте рабочие инструменты, для эксплуатации которых требуется применение смазочно-охлаждающих жидкостей.** Использование воды или других охлаждающих жидкостей может привести к опасности поражения электрическим током.

Отдача и соответствующие указания по технике безопасности

Отдача представляет собой неожиданную реакцию, возникающую при заедании или блокировке вращающегося рабочего инструмента (шлифкруга, тарельчатого шлифкруга, проволочной щетки и т. д.). Заедание или блокировка приводят к внезапной остановке вращающегося рабочего инструмента. Из-за противоположного направления вращения рабочего инструмента в месте блокировки происходит неконтролируемое движение электроинструмента.

При заедании или блокировке шлифкруга в заготовке кромка шлифкруга, погружаемая в заготовку, может застревать, что приводит к разлому круга или вызывает отдачу. При этом шлифкруг движется либо в направлении оператора, либо от него (в зависимости от направления вращения круга в момент блокировки). Это может также вызвать разрушение шлифкруга.

Отдача является следствием неправильного или ошибочного использования электроинструмента. При соблюдении нижеприведенных мер предосторожности этого можно избежать.

- ▶ **Надежно держите электроинструмент, приняв такое положение, при котором вы сможете амортизировать отдачу электроинструмента. Всегда используйте дополнительную рукоятку (при ее наличии), чтобы максимально контролировать отдачу или реактивные моменты, возникающие при разгоне электродвигателя.** При условии соблюдения соответствующих мер предосторожности оператор может контролировать отдачу и реактивный момент.
- ▶ **Не приближайте кисти рук к вращающимся рабочим инструментам.** При отдаче рабочий инструмент может их зацепить.
- ▶ **Избегайте попадания в зону, в которую смещается электроинструмент при отдаче.** Отдача смещает электроинструмент от места блокировки в направлении, противоположном вращению рабочего инструмента.
- ▶ **Будьте предельно внимательны при обработке углов, острых кромок и т. д. Не допускайте отскакивания и заедания рабочих инструментов в заготовке.** Вращающийся рабочий инструмент при обработке углов, острых кромок или в случае его отскакивания может заедать. Это становится причиной потери контроля над электроинструментом или возникновения отдачи.
- ▶ **Не используйте пильный диск с цепным или зубчатым зацеплением.** Использование таких рабочих инструментов зачастую вызывает отдачу или приводит к потере контроля над электроинструментом.



Особые указания по технике безопасности при шлифовании и абразивной резке:

- ▶ **Используйте только допущенные к эксплуатации с данным электроинструментом абразивные инструменты и соответствующий им защитный кожух.** Абразивные круги, не предназначенные для данного электроинструмента, не могут экранироваться в достаточной степени и работают нестабильно.
- ▶ **Выпуклые абразивные круги должны быть установлены таким образом, чтобы их рабочая поверхность не выступала за кромку защитного кожуха.** Неправильно установленный абразивный круг, выступающий за кромку защитного кожуха, не может быть экранирован должным образом.
- ▶ **Защитный кожух должен быть надежно закреплен на электроинструменте и отрегулирован таким образом, чтобы обеспечить максимальную безопасность.** Открытой должна оставаться лишь самая малая часть абразивного инструмента. Защитный кожух служит для защиты оператора от осколков и случайного соприкосновения с абразивным инструментом, а также от искр, которые могут воспламенить одежду при попадании на нее.
- ▶ **Абразивные инструменты должны использоваться только по назначению; например, запрещается выполнять шлифование боковой поверхностью отрезного круга.** Отрезные круги предназначены для снятия материала кромкой круга. Воздействие, оказываемое на круг с боковой стороны, может стать причиной его разрушения.
- ▶ **Для установок шлифкруга всегда используйте неповрежденный зажимной фланец нужного размера и формы.** Подходящие по форме и размеру фланцы надежно фиксируют шлифкруг и снижают степень риска его разлома. Зажимные фланцы отрезных кругов могут отличаться от зажимных фланцев других шлифкругов.
- ▶ **Не используйте изношенные абразивные круги от электроинструментов большего размера.** Шлифкруги, изготовленные для электроинструментов большего размера, не рассчитаны на высокую частоту вращения малогабаритных электроинструментов и поэтому могут разрушиться.

Дополнительные указания по технике безопасности при абразивной резке:

- ▶ **Избегайте блокировки отрезного круга или слишком сильного давления прижима.** Не выполняйте слишком глубоких резов. Перегрузка отрезного круга увеличивает его износ и подверженность перекоосу или блокировке, а вместе с тем возможность появления отдачи или его разрушения.
- ▶ **Избегайте нахождения в зоне перед вращающимся отрезным кругом и позади него.** При смещении отрезного круга в заготовке в направлении от себя электроинструмент в случае отдачи может отскочить прямо на вас вместе с вращающимся кругом.
- ▶ **В случае заклинивания отрезного круга или прерывания работы выключите электроинструмент и дождитесь, пока круг не остановится полностью.** Никогда не пытайтесь вытянуть еще вращающийся отрезной круг из реза — возможна отдача. Установите и устраните причину заклинивания.
- ▶ **Не включайте электроинструмент снова, если рабочий инструмент все еще находится в заготовке.** Перед продолжением работы дождитесь, пока отрезной круг не разгонится до рабочей частоты вращения. В противном случае возможно заедание круга, его выскакивание из заготовки или появление отдачи.
- ▶ **Подпирайте плиты или заготовки большого размера, чтобы снизить степень риска появления отдачи в случае заедания отрезного круга.** Габаритные заготовки могут прогибаться под действием собственного веса. Такие заготовки необходимо подпирать с двух сторон как вблизи места выполнения реза, так и вдоль кромки.
- ▶ **Будьте особенно осторожны при выполнении погружных резов в стенах или в других непрозрачных зонах.** При погружении отрезного диска во время резки газо- и водопроводов, электрических проводов или других объектов возможно появление отдачи.

Особые указания по технике безопасности при шлифовании с абразивной шкуркой

- ▶ **Не используйте абразивы большего размера, чем указано в документации от изготовителя.** Абразивы, выходящие за размеры опорной тарелки, могут привести к травмированию, а также заклинить, разорваться/разломаться или вызвать отдачу.

Особые указания по технике безопасности при выполнении работ с проволочными щетками (крацевания)

- ▶ **Учтите, что проволочные щетки теряют куски проволоки и при обычном использовании.** Во время обработки не прижимайте щетки слишком сильно. Отлетающие куски проволоки могут легко проходить через тонкую ткань одежды и/или проникать в кожу.
- ▶ **При использовании защитного кожуха не допускайте его контакта с проволочной щеткой.** Вследствие прижима и действия центробежных сил возможно увеличение диаметра тарельчатых и чашечных щеток.



2.1.3 Дополнительные указания по технике безопасности

Безопасность персонала

- ▶ Используйте электроинструмент только в технически исправном состоянии.
- ▶ Внесение изменений в конструкцию электроинструмента или его модификация категорически запрещаются.
- ▶ Не прикасайтесь к вращающимся деталям/узлам электроинструмента — опасность травмирования!
- ▶ При замене рабочего инструмента надевайте защитные перчатки. Соблюдайте осторожность при замене рабочего инструмента — контакт с ним может привести к порезам и ожогам.
- ▶ Перед началом работы выясните по материалу заготовки класс опасности возникающей пыли. Для работы с электроинструментом используйте строительный (промышленный) пылесос, степень защиты которого соответствует нормам пылезащиты, действующим в месте эксплуатации. Пыль, возникающая при обработке лакокрасочных покрытий, содержащих свинец, некоторых видов древесины, бетона/кирпичной и каменной кладки с частицами кварца, минералов, а также металла может представлять опасность для здоровья.
- ▶ Обеспечьте оптимальную вентиляцию рабочей зоны и при необходимости надевайте респиратор, который подходит для защиты от конкретного вида пыли. Вдыхание частиц такой пыли или контакт с ней может стать причиной появления аллергических реакций и/или заболеваний дыхательных путей как у пользователя, так и находящихся вблизи лиц. Некоторые виды пыли (например, пыль, возникающая при обработке дуба или бука) считаются канцерогенными, особенно в комбинации с дополнительными материалами, используемыми для обработки древесины (соль хромовой кислоты, средства защиты древесины). К работам с асбестосодержащим материалом должны допускаться только специалисты.
- ▶ Чтобы во время работы руки не затекали, время от времени делайте упражнения для расслабления и разминки пальцев. При длительной работе возникающие вибрации могут привести к нарушениям кровоснабжения сосудов или в нервных окончаниях пальцев/кистей рук или в запястьях.

Электрическая безопасность

- ▶ Перед началом работы проверяйте рабочее место на наличие скрытой электропроводки, газо- и водопроводных труб. Открытые металлические части электроинструмента могут стать проводниками электрического тока, если случайно задеть электропроводку.

Бережное обращение с электроинструментами и их правильная эксплуатация

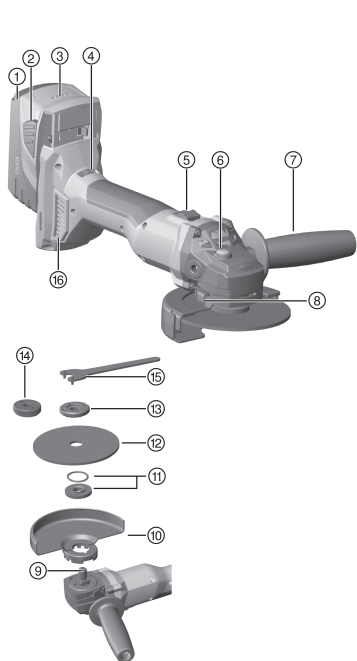
- ▶ Использовать отрезные круги для обдирочного шлифования запрещается.
- ▶ Плотно затяните рабочий инструмент и фланец. Если рабочий инструмент и фланец затянуты неплотно, то после выключения возможна расфиксация рабочего инструмента на шпинделе при торможении двигателем электроинструмента.
- ▶ Соблюдайте указания изготовителя по обращению и хранению шлифкругов.

2.1.4 Аккуратное обращение с аккумуляторами и их правильное использование

- ▶ Соблюдайте специальные предписания по транспортировке, хранению и эксплуатации литий-ионных аккумуляторов.
- ▶ Храните аккумуляторы на безопасном расстоянии от источников высокой температуры/огня и не подвергайте их прямому воздействию солнечного излучения.
- ▶ Запрещается разбирать, сдавливать, нагревать до температуры свыше 80 °С или сжигать аккумуляторы.
- ▶ Не используйте или не заряжайте аккумуляторы, которые подвергались ударам, падали с высоты более одного метра или получали какие-либо иные повреждения. При возникновении такой ситуации всегда обращайтесь в ближайший **сервисный центр Hilti**.
- ▶ Слишком сильный нагрев аккумулятора (такой, что до него невозможно дотронуться) указывает на его возможный дефект. Поместите изделие в пожаробезопасное место на достаточном расстоянии от воспламеняющихся материалов, где вы сможете контролировать ситуацию, и дайте ему остыть. При возникновении такой ситуации всегда обращайтесь в ближайший **сервисный центр Hilti**.



3.1 Обзор электроинструмента



- ① Аккумулятор
- ② Кнопка деблокировки аккумулятора
- ③ Индикатор уровня заряда
- ④ Регулировка скорости
- ⑤ Выключатель
- ⑥ Кнопка блокировки шпинделя
- ⑦ Боковая рукоятка
- ⑧ Кнопка (рас)фиксации кожуха
- ⑨ Шпиндель
- ⑩ Стандартный защитный кожух
- ⑪ Зажимной фланец с кольцом круглого сечения
- ⑫ Отрезной/обдирочный абразивный круг
- ⑬ Зажимная гайка
- ⑭ Быстрозажимная гайка **Kwik lock** (опция)
- ⑮ Зажимный ключ
- ⑯ Пылевой фильтр

3.2 Использование по назначению

Данное изделие представляет собой ручную аккумуляторную угловую шлифмашину, предназначенную для абразивной резки и обдирочного шлифования металлических и минеральных материалов, крацевания, шлифования с наждачной (абразивной) шкуркой, а также для сверления в керамической плитке без использования воды. Эта шлифмашина может использоваться только для сухого шлифования/сухой абразивной резки.

- Абразивная резка, штробление и обдирочное шлифование минеральных материалов допускается только при использовании подходящего защитного кожуха (опция).
- При обработке таких минеральных оснований, как бетон или камень, как правило, рекомендуется использовать пылезащитный кожух, подходящий для работы в комбинации с соответствующим пылесосом **Hilti**.
- ▶ Для этого электроинструмента используйте только литий-ионные аккумуляторы **Hilti** серии В 22.
- ▶ Для зарядки этих аккумуляторов используйте только зарядные устройства **Hilti** серии С4/36.

3.3 Комплект поставки

Угловая шлифмашина, боковая рукоятка, стандартный защитный кожух, передняя накладка, зажимной фланец, зажимная гайка, зажимный ключ, пылевой фильтр, руководство по эксплуатации

Другие системные принадлежности, допущенные для использования с этим изделием, вы можете найти в **Hilti Store** или на сайте www.hilti.group.

3.4 АТС

Электроинструмент оснащен системой экстренного электронного отключения электродвигателя АТС (Active Torque Control).



В случае блокировки или заклинивания рабочего инструмента электроинструмент неожиданно начинает вращение в противоположном направлении. Система АТС распознает это вращательное движение электроинструмента и мгновенно выключает его.



Для надлежащего функционирования электроинструмент должен вращаться. После экстренного отключения выключите электроинструмент, а затем снова включите его.

3.5 Термозащита электроинструмента

Система термозащиты двигателя контролирует потребление электроэнергии, а также нагрев двигателя, защищая электроинструмент от перегрева.

При перегрузке двигателя вследствие слишком высокого давления прижима производительность электроинструмента заметно снижается или возможна его полная остановка.

При остановке или снижении частоты вращения вследствие перегрузки следует уменьшить нагрузку на электроинструмент и дать поработать ему в течение примерно 30 с на холостом ходу.

3.6 Защитный кожух с передней накладкой 2

При обдирочном шлифовании плоскими обдирочными шлифкругами и резке абразивными отрезными кругами металлических оснований следует использовать стандартный защитный кожух с передней накладкой.

3.7 Пылезащитный кожух (для резки) DC-EX 125/5" С, компактный кожух (принадлежность) 3

Для абразивной резки минеральных оснований с использованием алмазных отрезных кругов следует использовать компактный кожух DC-EX 125/5" С.

Обработка металла с использованием этого кожуха запрещена.

3.8 Пылезащитный кожух (для штробления) DC-EX 125/5" М (принадлежность) 4

Абразивное отрезание и штробление минеральных материалов с алмазными отрезными кругами должны выполняться только с пылезащитным кожухом.

ОСТОРОЖНО Обработка металла с использованием этого кожуха запрещена.

3.9 Пылезащитный кожух (для шлифования) DG-EX 125/5" (принадлежность) 5

Электроинструмент предназначен только для нерегулярного шлифования минеральных материалов с использованием алмазных чашечных кругов.

Обработка металла с использованием этого кожуха запрещена.

3.10 Индикация уровня заряда литий-ионного аккумулятора

Уровень заряда литий-ионного аккумулятора отображается после нажатия одной из двух кнопок (де) блокировки аккумулятора.

Состояние	Значение
Горят четыре светодиода.	Уровень заряда: от 75 % до 100 %
Горят три светодиода.	Уровень заряда: от 50 % до 75 %
Горят два светодиода.	Уровень заряда: от 25 % до 50 %
Горит один светодиод.	Уровень заряда: от 10 % до 25 %
Мигает один светодиод.	Уровень заряда: < 10 %



Во время работы и непосредственно после ее завершения вызов индикации уровня заряда невозможен. При мигании светодиодов индикатора уровня заряда аккумулятора следуйте указаниям из главы «Поиск и устранение неисправностей».



4 Расходные материалы

Разрешается использовать только круги со связующим из синтетической смолы и с добавлением волокон для опорной тарелки макс. Ø 125 мм, рассчитанные на частоту вращения не менее 11 000 об/мин и окружную скорость 80 м/с.

Максимально допустимая толщина круга для обдирочного шлифования — 6,4 мм, максимально допустимая толщина круга для абразивной резки — 3,0 мм.

ВНИМАНИЕ! Для резки и штробления с использованием абразивных отрезных кругов всегда используйте стандартный защитный кожух с передней накладкой или полностью закрытый пылезащитный кожух.

Круги

Тип	Область применения	Условные обозначения	Базовый материал (основание)
Абразивный отрезной круг	абразивная резка, штробление	AC-D	обработка металла
Алмазный отрезной круг	абразивная резка, штробление	DC-TP, DC-D (SPX, SP, P)	обработка минеральных материалов
Абразивный обдирочный круг	обдирочное шлифование	AG-D, AF-D, AN-D	обработка металла
Алмазный обдирочный круг	обдирочное шлифование	DG-CW (SPX, SP, P)	обработка минеральных материалов
Проволочная щетка	крацевание	3CS, 4CS, 3SS, 4SS	обработка металла
Алмазная коронка	сверление керамической плитки	DD-M14	обработка минеральных материалов
Фибровый круг	обдирочное шлифование	AP-D	обработка металла

Назначение кругов и используемой оснастки

Поз.	Оснастка	AC-D	AG-D, AF-D, AN-D	DG-CW (SPX, SP, P)	DC-TP, DC-D (SPX, SP, P)	AP-D	3CS, 4CS, 3SS, 4SS, DD-M14
A	Защитный кожух	X	X	X	X	X	X
B	Передняя накладка (в комбинации с A)	X	—	—	X	—	—
C	Пылезащитный кожух (для шлифования) DG-EX 125/5 ¹	—	—	X	—	—	—
D	Пылезащитный кожух (для отрезания) DC-EX 125/5 ¹ C (в комбинации с A)	—	—	—	X	—	—
E	Пылезащитный кожух (для штробления) DC-EX 125/5 ¹ M	—	—	—	X	—	—
F	Переходник DC-EX SL (в комбинации с E)	—	—	—	X	—	—
G	Боковая рукоятка	X	X	X	X	X	X
H	Зажимная гайка	X	X	X	X	—	—
I	Зажимной фланец	X	X	X	X	—	—
J	Kwik lock (опция для H)	X	X	—	X	—	—



Поз.	Оснастка	AC-D	AG-D, AF-D, AN-D	DG-CW (SPX, SP, P)	DC-TP, DC-D (SPX, SP, P)	AP-D	3CS, 4CS, 3SS, 4SS, DD-M14
K	Зажимная гайка для фибрового круга	—	—	—	—	X	—
L	Опорная тарелка	—	—	—	—	X	—

5 Технические данные

AG 4S-A22-125	
Номинальное напряжение	21,6 В
Номинальная частота вращения	8 500 об/мин
Максимальный диаметр круга	125 мм
Масса согласно методу EPTA 01	3,1 кг
Резьба шпинделя привода	M14
Длина шпинделя	22 мм
Температура окружающей среды при эксплуатации	-17 °C ... 60 °C
Температура хранения	-20 °C ... 70 °C

5.1 Технические данные

Длина шпинделя	22 мм
Температура окружающей среды при эксплуатации	-17 °C ... 60 °C
Температура хранения	-20 °C ... 70 °C

5.2 Аккумулятор

Рабочее напряжение аккумулятора	21,6 В
Температура окружающей среды при эксплуатации	-17 °C ... 60 °C
Температура хранения	-20 °C ... 40 °C
Температура аккумулятора в начале зарядки	-10 °C ... 45 °C

5.3 Данные по шуму и вибрациям согласно EN 60745

Приводимые здесь значения уровня звукового давления и вибрации были измерены согласно стандартизированной процедуре измерения и могут использоваться для сравнения электроинструментов между собой. Они также подходят для предварительной оценки вредных воздействий.

Указанные данные применимы к основным областям применения электроинструмента. Однако, если электроинструмент используется для других целей, с другими рабочими (сменными) инструментами или в случае его неудовлетворительного технического обслуживания, данные могут быть иными. Вследствие этого в течение всего периода работы электроинструмента возможно значительное увеличение вредных воздействий.

Для точного определения вредных воздействий следует также учитывать промежутки времени, в течение которых электроинструмент находится в выключенном состоянии или работает вхолостую. Вследствие этого в течение всего периода работы электроинструмента возможно заметное уменьшение вредных воздействий.

Примите дополнительные меры безопасности для защиты пользователя от воздействия возникающего шума и/или вибраций, например: техническое обслуживание электроинструмента и рабочих (сменных) инструментов, сохранение тепла рук, правильная организация рабочих процессов.



Значение уровня звукового давления (L_{pA})	81,5 дБ(А)
Погрешность уровня звукового давления (K_{pA})	3 дБ(А)
Уровень звуковой мощности (L_{WA})	92,5 дБ(А)
Погрешность уровня звуковой мощности (K_{WA})	3 дБ(А)

Данные о вибрации

Использование в других целях, например для резки (отрезания), может привести к отклонениям значений вибрации.

Шлифование поверхности электроинструментом с вибропоглощающей рукояткой ($a_{h,AG}$)	4,7 м/с ²
Шлифование с использованием наждачной (абразивной) шкурки с вибропоглощающей рукояткой ($a_{h,DS}$)	5,3 м/с ²
Погрешность (К)	1,5 м/с ²

6 Ввод в эксплуатацию**6.1 Зарядка аккумулятора**

1. Перед зарядкой изучите руководство по эксплуатации зарядного устройства.
2. Убедитесь в том, что контакты аккумулятора и зарядного устройства чистые и сухие.
3. Заряжайте аккумулятор только в допущенном к эксплуатации зарядном устройстве.

6.2 Установка аккумулятора**⚠ ОСТОРОЖНО**

Опасность травмирования вследствие короткого замыкания или падения аккумулятора!

- ▶ Перед установкой аккумулятора убедитесь в чистоте его контактов и контактов электроинструмента.
- ▶ Всегда проверяйте, правильно ли зафиксирован аккумулятор.

1. Перед первым вводом в эксплуатацию полностью зарядите аккумулятор.
2. Установите и зафиксируйте аккумулятор в креплении на электроинструменте (при правильной фиксации слышен характерный щелчок).
3. Проверьте надежность фиксации аккумулятора.

6.3 Извлечение аккумулятора

1. Нажмите кнопки деблокировки аккумулятора.
2. Извлеките аккумулятор из крепления на электроинструменте.

6.4 Установка боковой рукоятки

- ▶ Ввинтите боковую рукоятку в одну из предусмотренных для нее резьбовых втулок.

6.5 Установка/снятие защитного кожуха**⚠ ОСТОРОЖНО**

Опасность травмирования Рабочий инструмент может нагреваться или иметь острые кромки.

- ▶ В ходе установки/снятия, регулировки и устранения неисправностей пользуйтесь защитными перчатками.
- ▶ Ознакомьтесь с инструкцией по монтажу соответствующего защитного кожуха.

6.5.1 Установка стандартного защитного кожуха 

Защитный кожух имеет специальные выступы, которые позволяют устанавливать только подходящий к электроинструменту кожух. Специальные выступы защитного кожуха фиксируются в пазах, расположенных на шейке шпинделя электроинструмента.



1. Установите защитный кожух на шейку шпинделя таким образом, чтобы обе метки в виде треугольника (на электроинструменте и на защитном кожухе) располагались напротив друг друга.
2. Прижмите защитный кожух к шейке шпинделя.
3. Нажмите кнопку (рас)фиксации кожуха и поворачивайте защитный кожух, пока он не зафиксируется в нужном положении.
 - Кнопка (рас)фиксации кожуха вернется в исходное положение.

6.5.2 Регулировка стандартного защитного кожуха

- ▶ Нажмите кнопку (рас)фиксации кожуха и поворачивайте защитный кожух, пока он не зафиксируется в нужном положении.

6.5.3 Снятие стандартного защитного кожуха

1. Нажмите кнопку (рас)фиксации кожуха и поворачивайте защитный кожух до тех пор, пока обе отметки в виде треугольника на электроинструменте и на защитном кожухе не установятся напротив друг друга.
2. Снимите защитный кожух.

6.6 Установка/снятие передней накладки 7



При использовании передней накладки она устанавливается на защитный кожух.

1. Установите переднюю накладку закрытой стороной на стандартный защитный кожух до фиксации крепления.
2. Для снятия передней накладки расфиксируйте ее крепление и снимите накладку со стандартного защитного кожуха.

6.7 Установка/снятие рабочих инструментов



ПРЕДУПРЕЖДЕНИЕ

Опасность травмирования При торможении двигателем электроинструмента возможна расфиксация рабочего инструмента.

- ▶ Подождите, пока рабочий инструмент остановится, прежде чем брать его руками за него или за зажимную гайку.
- ▶ Затяните рабочий инструмент и зажимной фланец с помощью зажимной гайки таким образом, чтобы при торможении двигателем электроинструмента исключить расфиксацию любых деталей на шпинделе.



ОСТОРОЖНО

Опасность травмирования Рабочий инструмент может нагреваться.

- ▶ При смене рабочего инструмента пользуйтесь защитными перчатками.



Алмазные круги подлежат замене сразу после заметного снижения их производительности резания/шлифования. Как правило, замена необходима, если высота алмазных сегментов становится меньше 2 мм.

Круги других типов подлежат замене, как только станет заметным снижение их производительности резания или если детали угловой шлифмашины (за исключением самого круга) начнут касаться обрабатываемого материала во время работы.

Абразивные круги подлежат замене по истечении их срока эксплуатации.

6.7.1 Установка рабочего инструмента 8

1. Извлеките аккумулятор. → страница 142
2. Проверьте, установлено ли кольцо круглого сечения в зажимном фланце и не имеет ли оно повреждений.

Результат

Кольцо круглого сечения повреждено.

Кольцо круглого сечения в зажимном фланце отсутствует.

- ▶ Установите новый зажимной фланец с кольцом круглого сечения.
3. Плотно (без зазоров, без возможности проворачивания) насадите зажимной фланец на шпиндель.



4. Установите рабочий инструмент.
5. Завинтите зажимную гайку с учетом установленного рабочего инструмента.
6. Нажмите и удерживайте нажатой кнопку блокировки шпинделя.
7. С помощью зажимного ключа затяните зажимную гайку, после чего отпустите кнопку блокировки шпинделя и снимите зажимный ключ.

6.7.2 Снятие рабочего инструмента

1. Извлеките аккумулятор. → страница 142

ОСТОРОЖНО

Опасность излома и разрушения! При нажатии кнопки блокировки шпинделя во время его вращения возможна расфиксация рабочего инструмента.

- ▶ Нажимайте кнопку блокировки шпинделя только при неподвижном шпинделе.
2. Нажмите и удерживайте нажатой кнопку блокировки шпинделя.
 3. Ослабьте зажимную гайку, установив на нее зажимный ключ и повернув его против часовой стрелки.
 4. Отожмите кнопку блокировки шпинделя и снимите рабочий инструмент.

6.7.3 Установка рабочего инструмента с быстрозажимной гайкой **Kwik lock**

ОСТОРОЖНО

Опасность излома! Вследствие значительного износа быстрозажимная гайка **Kwik lock** может сломаться.

- ▶ Следите за тем, чтобы во время работы быстрозажимная гайка **Kwik lock** не соприкасалась с основанием.
- ▶ Не используйте поврежденную быстрозажимную гайку **Kwik lock**.



Вместо зажимной гайки можно также использовать быстрозажимную гайку **Kwik lock** (опция). Она позволяет менять рабочие инструменты без использования дополнительного инструмента.

1. Извлеките аккумулятор. → страница 142
2. Проверьте, установлено ли кольцо круглого сечения в зажимном фланце и не имеет ли оно повреждений.

Результат

Кольцо круглого сечения повреждено.

Кольцо круглого сечения в зажимном фланце отсутствует.

- ▶ Установите новый зажимной фланец с кольцом круглого сечения.
3. Очистите зажимной фланец и быстрозажимную гайку.
 4. Установите зажимной фланец на шпиндель.
 5. Установите рабочий инструмент.
 6. Навинтите быстрозажимную гайку **Kwik lock** до ее посадки на рабочий инструмент.
 - ↳ В навинченном состоянии видна надпись **Kwik lock**.
 7. Нажмите и удерживайте нажатой кнопку блокировки шпинделя.
 8. Проворачивайте рабочий инструмент рукой по часовой стрелке, пока быстрозажимная гайка **Kwik lock** не будет затянута до упора; после этого отпустите кнопку блокировки шпинделя.

6.7.4 Снятие рабочего инструмента с быстрозажимной гайкой **Kwik lock**

1. Извлеките аккумулятор. → страница 142

ОСТОРОЖНО

Опасность излома и разрушения! При нажатии кнопки блокировки шпинделя во время его вращения возможна расфиксация рабочего инструмента.

- ▶ Нажимайте кнопку блокировки шпинделя только при неподвижном шпинделе.
2. Нажмите и удерживайте нажатой кнопку блокировки шпинделя.
 3. Отпустите быстрозажимную гайку **Kwik lock**, повернув рукой быстрозажимную гайку против часовой стрелки.



4. Если быстрозажимная гайка **Kwik lock** не отвинчивается вручную, установите зажимный ключ на быстрозажимную гайку и поверните его в направлении против часовой стрелки.



Категорически запрещается использование газового (трубного) ключа, чтобы не допустить повреждения быстрозажимной гайки **Kwik lock**.

5. Отожмите кнопку блокировки шпинделя и снимите рабочий инструмент.

6.7.5 Установка сверлильной коронки **10**

1. Извлеките аккумулятор. → страница 142
2. Установите боковую рукоятку. → страница 142
3. Установите стандартный защитный кожух.
4. Установите сверлильную коронку и закрутите ее от руки.
5. Нажмите и удерживайте нажатой кнопку блокировки шпинделя.
6. Затяните коронку с помощью подходящего гаечного ключа.
7. После этого отпустите кнопку блокировки шпинделя и снимите гаечный ключ.

6.7.6 Установка проволочной щетки **11**

1. Извлеките аккумулятор. → страница 142
2. Установите боковую рукоятку. → страница 142
3. Установите стандартный защитный кожух.
4. Установите проволочную щетку и закрутите ее от руки.
5. Нажмите и удерживайте нажатой кнопку блокировки шпинделя.
6. Затяните проволочную щетку с помощью подходящего гаечного ключа.
7. После этого отпустите кнопку блокировки шпинделя и снимите гаечный ключ.

6.7.7 Установка фибрового круга **12**

1. Извлеките аккумулятор. → страница 142
2. Установите боковую рукоятку. → страница 142
3. Установите стандартный защитный кожух.
4. Установите опорную тарелку и фибровый круг и закрутите зажимную гайку.
5. Нажмите и удерживайте нажатой кнопку блокировки шпинделя.
6. Затяните зажимную гайку с помощью зажимного ключа.
7. После этого отпустите кнопку блокировки шпинделя и снимите ключ.

7 Управление

7.1 Включение

1. Нажмите на заднюю часть выключателя.
2. Сдвиньте выключатель вперед.
 - ↳ Двигатель заработает.
3. Заблокируйте выключатель.

7.2 Шлифование

ОСТОРОЖНО

Опасность травмирования Рабочий инструмент может внезапно заклинить.

- ▶ Работать с электроинструментом следует только с боковой рукояткой, удерживая его обеими руками.

7.3 Абразивная резка

- ▶ При абразивной резке работайте с умеренной подачей, не допуская перекоса электроинструмента или абразивного отрезного круга (под углом прим. 90° к плоскости разделения).



Профили и небольшие трубы прямоугольного сечения лучше всего (отрезать на участках с минимальным поперечным сечением).



7.4 Обдирочное шлифование

ОСТОРОЖНО

Опасность травмирования Абразивный круг может разлететься на части, что может привести к получению травм.

- ▶ Использовать абразивные отрезные круги для обдирочного шлифования запрещается.
- ▶ Выполняйте подачу (вперед–назад) электроинструмента под углом в диапазоне от 5° до 30° с небольшим нажимом.
 - ↳ Благодаря этому заготовка не нагреется слишком сильно, не изменится цвет ее поверхности и на ней не останется никаких следов обработки.

7.5 Выключение

- ▶ Нажмите на заднюю часть выключателя.
 - ↳ Выключатель установится в положение «Выкл.» и двигатель остановится.

8 Уход и техническое обслуживание

ПРЕДУПРЕЖДЕНИЕ

Опасность травмирования при установленном аккумуляторе !

- ▶ Перед проведением любых работ по уходу и обслуживанию всегда извлекайте аккумулятор!

Уход за электроинструментом

- Осторожно удаляйте налипшую грязь.
- Извлеките пылевой фильтр и осторожно очистите его и вентиляционные прорези с помощью сухой щетки.
- Очищайте корпус только с помощью слегка увлажненной ткани. Не используйте средства по уходу с содержанием силикона, так как они могут повредить пластмассовые детали.

Уход за литий-ионными аккумуляторами

- Аккумулятор должен быть чистым, без следов масла и смазки.
- Очищайте корпус только с помощью слегка увлажненной ткани. Не используйте средства по уходу с содержанием силикона, так как они могут повредить пластмассовые детали.
- Не допускайте попадания влаги внутрь электроинструмента.

Техническое обслуживание

- Регулярно проверяйте все видимые части электроинструмента на отсутствие повреждений, а элементы управления — на исправное функционирование.
- При повреждениях и/или функциональных сбоях не используйте электроинструмент. Сразу сдавайте его в сервисный центр **Hilti** для ремонта.
- После ухода за электроинструментом и его технического обслуживания установите все защитные приспособления на место и проверьте их исправное функционирование.



Для обеспечения безопасной эксплуатации используйте только оригинальные запасные части и расходные материалы. Допущенные нами запасные части, расходные материалы и принадлежности для данного устройства вы можете найти в **Hilti Store** или на сайте **www.hilti.group**.

9 Транспортировка и хранение аккумуляторных электроинструментов

Транспортировка

ОСТОРОЖНО

Непреднамеренное включение в ходе транспортировки !

- ▶ При транспортировке своих электроинструментов всегда отсоединяйте от них аккумуляторы!
- ▶ Извлеките аккумуляторы.
- ▶ Категорически запрещается транспортировать аккумуляторы без упаковки (бестарным способом).
- ▶ После продолжительной транспортировки проверяйте электроинструмент и аккумуляторы перед использованием на отсутствие повреждений.



Хранение

ОСТОРОЖНО

Непреднамеренное повреждение вследствие неисправных или протекающих аккумуляторов !

- ▶ При хранении своих электроинструментов всегда отсоединяйте от них аккумуляторы!
- ▶ По возможности храните электроинструмент и аккумуляторы в сухом и прохладном месте.
- ▶ Никогда не оставляйте аккумуляторы на солнце, на нагревательных/отопительных элементах или за стеклом.
- ▶ Храните электроинструмент и аккумуляторы в сухом виде в недоступном для детей и других лиц, не допущенных к работе с электроинструментом, месте.
- ▶ После длительного хранения перед использованием проверяйте электроинструмент и аккумуляторы на отсутствие повреждений.

10 Помощь при неисправностях

В случае неисправностей, которые не указаны в этой таблице или которые вы не можете устранить самостоятельно, обращайтесь в ближайший сервисный центр Hilti.

10.1 Поиск и устранение неисправностей

Неисправность	Возможная причина	Решение
Аккумулятор разряжается быстрее, чем обычно.	Очень низкая температура окружающей среды	▶ Обеспечьте постепенный нагрев аккумулятора до комнатной температуры.
При установке аккумулятора не слышно характерного щелчка.	Грязь на фиксирующих выступах аккумулятора.	▶ Очистите фиксирующие выступы и установите аккумулятор повторно.
Мигает один светодиод. Электроинструмент не функционирует.	Аккумулятор разряжен.	▶ Замените аккумулятор и зарядите разряженный аккумулятор.
	Аккумулятор слишком холодный или слишком горячий	▶ Обеспечьте постепенный нагрев или постепенное охлаждение аккумулятора до комнатной температуры.
Мигают все четыре светодиода. Электроинструмент не функционирует.	Электроинструмент перегружен.	▶ Отпустите выключатель и нажмите его снова. Дайте поработать электроинструменту в течение примерно 30 с на холостом ходу.
Чрезмерный нагрев угловой шлифмашины или аккумулятора.	Электрическая неисправность	▶ Немедленно выключите электроинструмент, извлеките аккумулятор и наблюдайте за ним, дайте ему остыть и свяжитесь с сервисной службой Hilti.
Электроинструмент работает не на полную мощность.	Установлен аккумулятор с недостаточной емкостью.	▶ Используйте аккумулятор с достаточной емкостью.
Не срабатывает функция торможения двигателя.	Аккумулятор разряжен.	▶ Замените аккумулятор и зарядите разряженный аккумулятор.
	Кратковременная перегрузка электроинструмента	▶ Выключите электроинструмент, а затем снова включите его.

11 RoHS (Директива об ограничении применения опасных веществ)

По этой ссылке доступна таблица опасных веществ: qr.hilti.com/r9884540.




2233926

Русский 147

Ссылку в виде QR-кода на таблицу опасных веществ согласно директиве RoHS см. в конце настоящего документа.

12 Утилизация

 Большинство материалов, из которых изготовлены изделия **Hilti**, подлежит вторичной переработке. Перед утилизацией следует тщательно рассортировать материалы (для удобства их последующей переработки). Во многих странах фирма **Hilti** уже организовала прием бывших в использовании электрических и электронных устройств для утилизации. Дополнительную информацию по этому вопросу можно получить в отделе по обслуживанию клиентов или у консультантов по продажам фирмы **Hilti**.

Утилизация аккумуляторов

Вследствие выхода газов или жидкостей при неправильной утилизации аккумуляторов возможна угроза для здоровья.

- ▶ Не пересылайте поврежденные аккумуляторы!
- ▶ Закрывайте аккумуляторные контакты не проводящим ток материалом, чтобы избежать коротких замыканий.
- ▶ Утилизируйте аккумуляторы так, чтобы исключить их попадание в руки детей.
- ▶ Утилизируйте аккумулятор через ближайший **Hilti Store** или обратитесь в специализированную фирму по утилизации.



- ▶ Не выбрасывайте электрические инструменты, электронные устройства/приборы и аккумуляторы вместе с обычным мусором!
-

13 Гарантия производителя

- ▶ С вопросами относительно гарантийных условий обращайтесь в ближайшее представительство **Hilti**.



1 Інформація про документацію

1.1 Інформація про цей документ

- Перш ніж розпочинати роботу з інструментом, прочитайте цей документ. Це є передумовою безпечної роботи та відсутності несправностей під час застосування інструмента.
- Дотримуйтеся попереджувальних вказівок та вказівок з техніки безпеки, наведених у цьому документі та на корпусі інструмента.
- Завжди зберігайте інструкцію з експлуатації поблизу інструмента та передавайте інструмент іншим особам лише разом з інструкцією.

1.2 Пояснення символів

1.2.1 Попереджувальні вказівки

Попереджувальні вказівки інформують користувача про фактори небезпеки, пов'язані із застосуванням інструмента. Використовуються такі сигнальні слова:

НЕБЕЗПЕКА

НЕБЕЗПЕКА !

- Указує на безпосередню небезпеку, що може призвести до отримання тяжких тілесних ушкоджень або навіть до смерті.

ПОПЕРЕДЖЕННЯ

ПОПЕРЕДЖЕННЯ !

- Указує на потенційно небезпечну ситуацію, яка може призвести до отримання тяжких тілесних ушкоджень або навіть смерті.





ОБЕРЕЖНО

ОБЕРЕЖНО !

- Указує на потенційно небезпечну ситуацію, яка може призвести до отримання легких тілесних ушкоджень та до матеріальних збитків.





1.2.2 Символи у документі

У цьому документі використовуються такі символи:

	Перед використанням прочитайте інструкцію з експлуатації
	Указівки щодо експлуатації та інша корисна інформація
	Поводження з матеріалами, придатними для вторинної переробки
	Не викидайте електроінструменти і акумуляторні батареї у баки для побутового сміття

1.2.3 Символи на ілюстраціях

На ілюстраціях використовуються такі символи:

	Цифрами позначаються відповідні ілюстрації, наведені на початку цієї інструкції
	Нумерація відображає послідовність робочих кроків на ілюстраціях та може відрізнятися від нумерації у тексті
	Номера позицій, наведені на оглядовій ілюстрації , відповідають номерам у легенді, що представлена у розділі « Огляд продукту »
	Цей символ позначає аспекти, на які слід звернути особливу увагу під час застосування інструмента.



1.3 Символи, що обумовлені типом інструмента

1.3.1 Символи на інструменті

На інструменті наведені такі символи:

	Використовуйте захисні окуляри
n	Номінальна частота обертання
/min	Кількість обертів на хвилину
RPM	Кількість обертів на хвилину
	Діаметр
	Постійний струм
	Бездротова передача даних
Li-Ion	Літій-іонна акумуляторна батарея
	Використовуваний тип літій-іонної акумуляторної батареї Hilti. Дотримуйтеся вказівок, наведених у розділі «Використання за призначенням».

1.4 Інформація про інструмент

Інструменти призначені для професійного використання, а тому їхню експлуатацію, технічне обслуговування та ремонт слід доручати лише авторизованому персоналу зі спеціальною підготовкою. Цей персонал повинен бути спеціально проінструктований про можливі ризики. Інструмент та допоміжне приладдя можуть стати джерелом небезпеки у разі їхнього неправильного застосування некваліфікованим персоналом або у разі використання не за призначенням.

Тип та серійний номер зазначені на заводській табличці.

- Перепишіть серійний номер у наведену нижче таблицю. При оформленні запитів до нашого представництва та до сервісної служби вказуйте інформацію про інструмент.

Інформація про інструмент

Кутова шліфувальна машина	AG 4S-A22
Версія	01
Серійний номер	

1.5 Сертифікат відповідності

Зі всією належною відповідальністю заявляємо, що описаний у цьому документі інструмент відповідає діючим директивам і стандартам. Копія сертифіката відповідності наведена у кінці цього документа.

Технічна документація зазначена нижче:

Hilti Entwicklungsgesellschaft mbH | Zulassung Geräte | Hiltistraße 6 | 86916 Kaufering, DE

2 Безпека

2.1 Вказівки з техніки безпеки

2.1.1 Загальні вказівки з техніки безпеки при роботі з електроінструментами

⚠ ПОПЕРЕДЖЕННЯ! Уважно прочитайте усі вказівки та інструкції з техніки безпеки, ознайомтеся з малюнками та технічними даними цього електроінструмента. Щонайменше недотримання наведених нижче вказівок може призвести до ураження електричним струмом, займання та/або отримання тяжких травм.

Збережіть всі інструкції та вказівки з техніки безпеки – вони можуть знадобитися Вам у майбутньому.



Термін «електроінструмент», який використовується у вказівках з техніки безпеки, позначає як електроінструменти, що працюють від електричної мережі (із кабелем живлення), так і електроінструменти, що працюють від акумуляторної батареї (без кабелю живлення).

Безпека на робочому місці

- ▶ **Дбайте про чистоту та достатнє освітлення робочого місця.** Безлад на робочому місці та недостатнє освітлення можуть стати причиною нещасних випадків.
- ▶ **Не працюйте з електроінструментом у вибухонебезпечному середовищі, що містить легкозаймисті рідини, газу або пил.** Під час роботи електроінструментів утворюються іскри, від яких можуть зайнятися легкозаймисті випари або пил.
- ▶ **Подбайте про те, щоб під час використання електроінструмента поблизу не було дітей та сторонніх осіб.** Щонайменше відволікання може призвести до втрати контролю над інструментом.

Електрична безпека

- ▶ **Штепсельна вилка електроінструмента повинна підходити до розетки живлення. Забороняється вносити зміни до конструкції штепсельної вилки. Не дозволяється застосовувати перехідні штепсельні вилки в електроінструментах із захисним заземленням.** У разі використання оригінальних штепсельних вилок і відповідних розеток знижується ризик ураження електричним струмом.
- ▶ **Під час роботи намагайтеся не торкатися заземлених поверхонь, наприклад труб, радіаторів опалення, печей та холодильників.** Якщо Ваше тіло перебуває в контакт з системою заземлення, існує підвищений ризик ураження електричним струмом.
- ▶ **Захищайте електроінструменти від дощу та вологи.** У разі проникнення води в електроінструмент підвищується ризик ураження електричним струмом.
- ▶ **Використовуйте з'єднувальний кабель тільки за призначенням, не переносьте за нього електроінструмент, не користуйтеся ним для підвищення інструмента та не тримайтеся за нього, відстаючи штепсельну вилку з розетки.** Оберігайте з'єднувальний кабель від впливу високих температур, від дії мастил та контакту з гострими кромками або рухомими частинами інструмента. Пошкоджені або заплутані з'єднувальні кабелі підвищують ризик ураження електричним струмом.
- ▶ **Працюючи з електроінструментом під відкритим небом, використовуйте лише подовжувальний кабель, придатний для зовнішнього застосування.** Використання подовжувального кабелю, призначеного для зовнішнього застосування, зменшує ризик ураження електричним струмом.
- ▶ **Якщо неможливо уникнути експлуатації електроінструмента за умов підвищеної вологості, використовуйте автомат захисту від струму витоку.** Використання автомата захисту від струму витоку зменшує ризик ураження електричним струмом.

Безпека персоналу

- ▶ **Будьте уважними, зосередьтеся на виконуваній операції, до роботи з електроінструментом ставтеся серйозно.** Не користуйтеся електроінструментом, якщо Ви втомлені або перебуваєте під дією наркотичних речовин, алкоголю або лікарських засобів. Під час роботи з електроінструментом не відволікайтеся ні на мить, оскільки це може призвести до отримання серйозних травм.
- ▶ **Використовуйте засоби індивідуального захисту і завжди надягайте захисні окуляри.** Використання засобів індивідуального захисту, наприклад респіратору, захисного взуття на нековзній підшві, захисного шолома або шумозахисних навушників – залежно від різновиду електроінструмента та особливостей його застосування – зменшує ризик травмування.
- ▶ **Уникайте випадкового вмикання електроінструмента.** Переконайтеся в тому, що електроінструмент вимкнений, перш ніж вставляти штепсельну вилку в розетку живлення та/або приєднувати акумулятор, піднімати електроінструмент або переносити його. Якщо під час перенесення електроінструмента тримати палець на вимикачі або приєднувати інструмент до джерела живлення увімкненим, це може призвести до нещасного випадку.
- ▶ **Перш ніж вмикати електроінструмент, від'єднайте від нього все налагоджувальне приладдя або гайкові ключі.** Приладдя або ключ, що знаходяться в обертовому вузлі інструмента, можуть стати причиною отримання травм.
- ▶ **Уникайте виконання роботи в незручній позі.** Під час виконання робіт ставьте в стійку позу і намагайтеся повсякчас утримувати рівновагу. Це дозволить Вам більш упевнено контролювати електроінструмент у разі виникнення несподіваних обставин.
- ▶ **Надягайте відповідний робочий одяг.** Не надягайте для роботи занадто просторий одяг та прикраси. Слідкуйте за тим, щоб волосся, одяг та робочі рукавиці знаходилися подалі від обертових частин інструмента. Просторий одяг, прикраси або довге волосся можуть бути захоплені рухомими частинами інструмента.



- ▶ Якщо передбачена можливість установалення системи пиловидалення та пилозбірників, обов'язково переконайтеся в тому, що вони правильно приєднані й використовуються належним чином. Застосування системи видалення пилу дозволяє зменшити негативний вплив пилу на персонал.
- ▶ Не можна нехтувати правилами безпеки під час роботи з електроінструментами навіть у тому випадку, коди Ви добре знайомі з тим чи іншим електроінструментом. Якщо користуватися інструментом необережно, лише малої частки секунди може бути достатньо для отримання тяжких травм.

Використання електроінструмента та належний догляд за ним

- ▶ Не допускайте перенавантаження інструмента. Завжди використовуйте електроінструмент, призначений для виконання відповідної роботи. При використанні належного електроінструмента забезпечуються більш висока якість та безпека виконання робіт у вказаному діапазоні продуктивності.
- ▶ Не використовуйте електроінструмент із пошкодженим вимикачем. Електроінструмент, який неможливо вмикати або вимикати, є небезпечним і підлягає ремонту.
- ▶ Перш ніж розпочинати налаштування інструмента, виконувати заміну приладдя або робити перерву в роботі, не забудьте вийняти штепсельну вилку з розетки та/або вийняти з інструмента змінну акумуляторну батарею. Такий запобіжний захід допоможе уникнути випадкового вмикання електроінструмента.
- ▶ Електроінструменти, що не використовуються, зберігайте в недоступному для дітей місці. Не дозволяйте користуватися інструментом особам, які не ознайомлені з ним або не прочитали ці вказівки. У руках недосвідчених людей електроінструменти являють собою серйозну небезпеку.
- ▶ Електроінструменти та їх приладдя потребують дбайливого догляду. Ретельно перевіряйте, чи бездоганно працюють та чи не заклинюють рухомі частини, чи не зламалися або не зазнали інших пошкоджень деталі, від яких залежить справна робота електроінструмента. Перед початком роботи з інструментом пошкоджені деталі слід відремонтувати. Багатьох нещасних випадків можна уникнути за умови належного технічного обслуговування електроінструментів.
- ▶ Слідкуйте за тим, щоб ріжучі інструменти завжди залишалися чистими та належним чином заточеними. Дбайливо доглянутий ріжучий інструмент із гострими різальними кромками не так часто заклинюється, і з ним легше працювати.
- ▶ Під час експлуатації електроінструмента, приладдя до нього, робочих інструментів тощо дотримуйтеся наведених у цьому документі вказівок. При цьому завжди враховуйте умови в місці виконання робіт та дії, яких вимагає поставлене завдання. Використання електроінструментів не за призначенням може призвести до виникнення небезпечних ситуацій.
- ▶ Слідкуйте за тим, щоб поверхні рукояток були чистими та сухими, та не допускайте їхнього забруднення мастилом. Якщо поверхні рукояток слизькі, це унеможливує впевнене контролювання електроінструмента у непередбачених ситуаціях.

Використання акумуляторного інструмента та належний догляд за ним

- ▶ Для заряджання акумуляторних батарей застосовуйте лише зарядні пристрої, рекомендовані виробником. Зарядний пристрій, придатний для заряджання акумуляторних батарей певного типу, може спричинити пожежу, якщо його застосовувати для заряджання акумуляторних батарей інших типів.
- ▶ Для живлення електроінструментів застосовуйте лише спеціально призначені для цього акумуляторні батареї. Застосування інших акумуляторних батарей може призвести до отримання травм і виникнення пожежі.
- ▶ Акумуляторну батарею, яка не використовується, тримайте подалі від канцелярських скріпок, монет, ключів, цвяхів, гвинтів та інших дрібних металевих предметів, які могли б спричинити коротке замикання її контактів. Коротке замикання контактів акумуляторної батареї може призвести до отримання опіків або до виникнення пожежі.
- ▶ У разі неправильного застосування з акумуляторної батареї може пролитися рідина. Уникайте контакту з нею. У разі випадкового контакту цієї рідини зі шкірою негайно промийте уражене місце достатньою кількістю води. Якщо рідина потрапила в очі, рекомендується додатково звернутися по лікарську допомогу. Пролита з акумуляторної батареї рідина може призвести до подразнення шкіри або отримання опіків.
- ▶ Не використовуйте акумуляторну батарею, якщо вона пошкоджена або якщо її конструкція була змінена. Пошкоджені або модифіковані акумуляторні батареї вкрай ненадійні та становлять небезпеку пожежі, вибуху або травмування.
- ▶ Не піддавайте акумуляторну батарею впливу вогню або високих температур. Вогонь або температури понад 130 °C (265 °F) можуть спричинити вибух.
- ▶ Дотримуйтеся вказівок щодо заряджання. Ніколи не заряджайте акумуляторну батарею або акумуляторний інструмент в умовах, що виходять за межі температурного діапазону,



зазначеного в інструкції з експлуатації. Неналежне заряджання або заряджання за межами зазначеного температурного діапазону може призвести до руйнування акумуляторної батареї та підвищує ризик займання.

Сервісне обслуговування

- ▶ Доручайте ремонт електроінструмента лише кваліфікованому персоналу зі спеціальною підготовкою за умови використання тільки оригінальних запасних частин. Це забезпечить функціональність інструмента.
- ▶ Забороняється здійснювати технічне обслуговування пошкоджених акумуляторних батарей. У будь-яких випадках технічне обслуговування акумуляторних батарей повинен здійснювати виробник або уповноважена служба технічного обслуговування.

2.1.2 Загальні вказівки з техніки безпеки під час шліфування, шліфування з використанням наждачного паперу, роботи з дровотими щітками, полірування та відрізного шліфування:

- ▶ Цей електроінструмент призначений для використання в якості шліфувальної машини, наждачної шліфувальної машини, шліфувальної машини з дровою щіткою і шліфувально-відрізної машини. Дотримуйтеся всіх вказівок з техніки безпеки, інструкцій, схем і даних, отриманих Вами разом з інструментом. Невиконання наступних інструкцій може призвести до ураження електричним струмом, пожежі та/або серйозних травм.
- ▶ Цей електроінструмент не призначений для полірування. Використання електроінструмента не за призначенням може призвести до виникнення небезпечних ситуацій і стати причиною травмування.
- ▶ Не використовуйте приладдя, яке не було розроблене або рекомендоване виробником спеціально для використання із цим електроінструментом. Навіть якщо Ви можете закріпити приладдя на електроінструменті, це не гарантує його безпечної експлуатації.
- ▶ Гранично припустима частота обертання змінного робочого інструмента не повинна бути меншою за максимальну частоту обертання, зазначену на електроінструменті. Приладдя, що обертається з частотою більше припустимої, може зруйнуватися або відлетіти.
- ▶ Зовнішній діаметр і товщина змінного робочого інструмента повинні відповідати розмірам електроінструмента. Ви не зможете належним чином контролювати змінні робочі інструменти, розміри яких не відповідають вимогам; крім того, захисний кожух не закриватиме їх повністю.
- ▶ Змінні робочі інструменти з різьбовою вставкою слід встановлювати точно на різьбу шліфувального шпинделя. Якщо Ви використовуєте змінні робочі інструменти, які встановлюються за допомогою фланця, переконайтеся, що діаметр отвору змінного робочого інструмента відповідає діаметру кріплення на фланці. Якщо змінні робочі інструменти встановлені на електричний інструмент неналежним чином, вони обертаються нерівномірно та сильно вібрують, що може призвести до втрати контролю.
- ▶ Не використовуйте пошкоджені змінні робочі інструменти. Перед кожним використанням перевіряйте шліфувальні круги на наявність відколів і тріщин, шліфувальні тарілki на наявність тріщин, зношування або сильного стирання, а дровоті щітки на наявність зламів або розривів. У разі падіння електроінструмента або робочого інструмента перевірте їх на наявність пошкоджень або замініть робочий інструмент. При першому використанні обертового змінного робочого інструмента оператор і особи, що стоять поруч, повинні перебувати на безпечній відстані від нього. Потрібно дати інструменту попрацювати протягом хвилини за максимальної частоти обертання. Несправні робочі інструменти виходять з ладу найчастіше під час цього контрольного проміжжого часу.
- ▶ Застосовуйте індивідуальні засоби захисту. Залежно від умов роботи використовуйте захисну маску або захисні окуляри. За необхідності використовуйте пилозахисну маску, захисні навушники, захисні рукавиці або спеціальний фартух, щоб захистити себе від дрібних часток оброблюваного матеріалу. Необхідно захищати очі від потрапляння частинок, що утворюються під час роботи. Пил, що утворюється під час роботи, повинен затримуватися пилозахисним фільтром респіратора. Тривалий вплив сильного шуму може призвести до втрати слуху.
- ▶ Прослідкуйте за тим, щоб інші особи у місці виконання робіт перебували на безпечній відстані від Вас. Кожна особа, яка заходить у межі робочої зони, повинна використовувати засоби індивідуального захисту. Уламки оброблюваної деталі або частини пошкодженого робочого інструмента можуть розлітатися та ставати причиною травмування навіть за межами безпосередньої робочої зони.
- ▶ Якщо під час виконання робіт існує ймовірність того, що змінний робочий інструмент може натрапити на приховану електропроводку, тримайте електроінструмент тільки за ізольовані поверхні рукояток. У разі контакту з електричним дротом, який знаходиться під напругою, металеві деталі інструмента також потраплять під напругу, а це може призвести до ураження електричним струмом.



- ▶ **Тримайте кабель живлення на безпечній відстані від обертових робочих інструментів.** У випадку втрати контролю над інструментом кабель живлення може бути перерізаний, а Ваша рука затягнута в зону обертання робочого інструмента.
- ▶ **Не відкладайте електроінструмент до повної зупинки робочого інструмента.** Обертовий робочий інструмент може натрапити на опорну поверхню, внаслідок чого Ви можете втратити контроль над електроінструментом.
- ▶ **Не допускайте увімкнення електроінструмента під час його перенесення.** Обертовий робочий інструмент може випадково захопити край Вашого одягу та травмувати Вас.
- ▶ **Регулярно очищайте вентиляційні прорізи електроінструмента.** Оскільки двигун засмоктує пил усередину корпусу, підвищена концентрація металевого пилю може створити небезпеку ураження електричним струмом.
- ▶ **Не використовуйте електроінструмент поблизу легкозаймистих матеріалів.** Іскри можуть запалити ці матеріали.
- ▶ **Не використовуйте робочі інструменти, для експлуатації яких потрібне застосування рідких охолоджувальних засобів.** Використання води або інших рідких охолоджувальних засобів може призвести до ураження електричним струмом.

Віддача і відповідні вказівки з техніки безпеки

Віддача являє собою раптову реакцію, що виникає при зачепленні або блокуванні робочого інструмента, що обертається (шліфувального круга, шліфувальної тарілки, дротової щітки тощо). Зачеплення або блокування призводять до раптової зупинки робочого інструмента, що обертається. Це спричиняє неконтрольований рух електроінструмента у напрямку, протилежному напрямку обертання робочого інструмента в місці блокування.

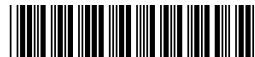
При зачепленні або блокуванні шліфувального круга в оброблюваній деталі кромка шліфувального круга, що занурюється в деталь, може застрягти, що може призвести до руйнування круга або спричинити віддачу. При цьому шліфувальний круг рухається або в напрямку оператора, або від нього (залежно від напрямку обертання круга в місці блокування). Це може також спричинити руйнування шліфувального круга.

Віддача є наслідком неправильного або помилкового використання електроінструмента. За умови дотримання відповідних заходів безпеки, що наведені нижче, цього явища можна уникнути.

- ▶ **Надіжно тримайте електроінструмент, прийнявши таке положення тіла і рук, при якому Ви зможете амортизувати віддачу інструмента. Завжди використовуйте додаткову рукоятку (за її наявності), щоб максимально контролювати віддачу або реактивний момент, що виникає під час набирання швидкості електродвигуна.** Якщо вжити відповідних запобіжних заходів, оператор може контролювати віддачу і реактивний момент.
- ▶ **Не наближайте руки до обертових робочих інструментів.** У разі виникнення віддачі робочий інструмент може зачепити Ваші руки.
- ▶ **Уникайте потрапляння в зону, в яку зміщується електроінструмент під час віддачі.** Віддача зміщує електроінструмент від місця блокування в напрямку, протилежному напрямку обертання робочого інструмента.
- ▶ **Будьте вкрай уважними під час обробки кутів, гострих кромок тощо. Не допускайте відсакування змінних робочих інструментів або їхнього заїдання в оброблюваних деталях.** Змінний робочий інструмент, що обертається, може заїдати під час обробки кутів, гострих кромок або у випадку його відсакування. Це стає причиною втрати контролю над інструментом або виникнення віддачі.
- ▶ **Не використовуйте полотно з ланцюговим або зубчастим зачепленням.** Використання таких змінних робочих інструментів найчастіше викликає віддачу або призводить до втрати контролю над шліфувальною машиною.

Особливі вказівки з техніки безпеки при використанні шліфувальних та відрізних кругів:

- ▶ **Використовуйте тільки допущені до експлуатації абразивні змінні робочі інструменти та захисні кожухи, що відповідають їм.** Абразивні змінні робочі інструменти, які не призначені для цього електроінструмента, працюють нестабільно; крім того, захисний кожух не закриває їх повністю.
- ▶ **Шліфувальні круги зі зміщеним центром слід установлювати таким чином, щоб їхня шліфувальна поверхня не виступала за край захисного кожуха.** Неналежним чином установлений шліфувальний круг, що виступає за край захисного кожуха, не може бути достатньо захищеним.
- ▶ **Захисний кожух повинен бути надійно закріплений на електроінструменті та відрегульований таким чином, щоб підтримувати максимальну безпеку.** Відкритою повинна залишатися якомога менша частина абразивного змінного робочого інструмента. Захисний кожух призначений для захисту оператора від осколків, випадкового зіткнення з абразивним змінним робочим інструментом та від іскор, які можуть запалити одягу.



- ▶ **Абразивні змінні робочі інструменти повинні використовуватися лише за призначенням. Зокрема: забороняється виконувати шліфування боковою поверхнею відрізного круга.** Відрізни круги призначені для зняття матеріалу кромкою круга. Вплив бокової сили на ці абразивні змінні робочі інструменти може стати причиною їхнього руйнування.
- ▶ **Для встановлення вибраного Вами шліфувального круга завжди використовуйте непошкоджений затискний фланець потрібного розміру та форми.** Фланці відповідної форми та розміру фіксують шліфувальний круг і зменшують ризик його руйнування. Затискні фланці відрізнних кругів можуть відрізнятися від затискних фланців інших шліфувальних кругів.
- ▶ **Не використовуйте зношені шліфувальні круги від електроінструментів більшого розміру.** Шліфувальні круги, виготовлені для електроінструментів більшого розміру, не розраховані на високу частоту обертання малогабаритних електроінструментів і тому можуть зруйнуватися.

Додаткові особливі вказівки з техніки безпеки під час відрізного шліфування:

- ▶ **Уникайте блокування або занадто сильного притискування відрізного круга. Не виконуйте занадто глибоких розрізів.** Перенавантаження відрізного круга збільшує його зношування та схильність до перекоосу або блокування, а разом з тим і можливість віддачі або руйнування круга.
- ▶ **Намагайтеся не знаходитися в зоні перед обертюм відрізнним кругом і за ним.** Якщо віддача виникне під час зміщення відрізного круга в оброблюваній деталі в поступальному напрямку, то електроінструмент може відскочити прямо на Вас.
- ▶ **У випадку заклинювання відрізного круга або переривання роботи вимкніть інструмент і дочекайтеся повної зупинки круга. Ніколи не намагайтеся витягнути із розпилу відрізнний круг, що продовжує обертатися, інакше можлива віддача.** З'ясуйте і усуньте причину защемлення.
- ▶ **Не вмикайте інструмент знову, якщо він все ще перебуває в оброблюваній деталі. Перед продовженням роботи дочекайтеся, поки інструмент не досягне робочої частоти обертання.** Інакше можливе заїдання круга, його вискакування з оброблюваної деталі або поява віддачі.
- ▶ **Підпирайте плити або деталі великого розміру, щоб знизити ризик віддачі у випадку заїдання відрізного круга.** Великі оброблювані деталі можуть прогинатися під дією власної ваги. Оброблювану деталь потрібно підпирати з обох боків круга як поблизу від місця виконання різання, так і вздовж кромки деталі.
- ▶ **Будьте особливо уважні, коли виконуєте «заглибне різання» в стіні або інших місцях з недостатнім обзором.** Занурення відрізного круга в робочу поверхню під час різання газопроводів, водопроводів, електричних дротів або інших предметів може спричинити віддачу.

Особливі вказівки з техніки безпеки при шліфуванні з використанням наждачного паперу:

- ▶ **Не використовуйте шліфувальні полотна занадто великого розміру; дотримуйтеся рекомендацій виробника щодо вибору розміру шліфувального полотна.** Використання шліфувального полотна, що виступає за шліфувальну тарілку, може призвести до травмування, а також до блокування, розриву шліфувального полотна або спричинити віддачу.

Особливі вказівки з техніки безпеки при роботі з дротовими щітками:

- ▶ **Пам'ятайте, що дротові щітки втрачають шматочки дроту навіть при звичайному використанні. Не притискайте їх занадто сильно.** Шматочки дроту, що відлітають, можуть легко проходити через тонку тканину одягу та/або проникати в шкіру.
- ▶ **При використанні захисного кожуха не допускайте його контакту із дротовою щіткою.** Тарілчасті та чашкові щітки під дією притискування та відцентрових сил можуть збільшувати свій діаметр.

2.1.3 Додаткові вказівки з техніки безпеки

Безпека персоналу

- ▶ Користуйтеся лише повністю справним інструментом.
- ▶ Вносити будь-які зміни до конструкції інструмента заборонено.
- ▶ Уникайте контакту з деталями інструмента, що обертаються. Існує ризик отримання травм!
- ▶ Користуйтеся захисними рукавицями також під час заміни змінного робочого інструмента. Контакт із робочим інструментом може призвести до отримання порізів або опіків.
- ▶ Перш ніж розпочинати роботу, з'ясуйте клас небезпеки пилу, що при цьому буде утворюватися. Використовуйте будівельний пиლოსос затвердженого класу захисту, що відповідає місцевим вимогам щодо захисту від пилу. Пил, що містить у собі такі матеріали, як фарби на основі свинцю, тирсу деяких порід деревини, бетон, цеглу, кварцові гірські породи і мінерали, а також метал, може бути шкідливим для здоров'я.
- ▶ Подбайте про належну вентиляцію робочого місця та користуйтеся респіратором, який підходить до матеріалу, що обробляється. У разі контакту з таким пилом або при його вдиханні у користувача електроінструмента та у людей, що знаходяться поблизу, можуть виникнути алергічні реакції та/або захворювання дихальних шляхів. Деякі різновиди пилу, наприклад деревини дуба і бука, вважаються канцерогенними, особливо у поєднанні з речовинами для обробки деревини (хроматом, засобами



для захисту деревини). До обробки матеріалів, що містять азбест, допускаються лише фахівці зі спеціальною підготовкою.

- ▶ Працюйте з перервами та виконуйте вправи на розминання пальців, щоб покращити кровообіг у них. Під час довготривалих робіт вібрація може пошкодити судини або нерви у пальцях, руках або зап'ясткових суглобах.

Електрична безпека

- ▶ Перед початком роботи перевіряйте робоче місце на наявність прихованих електричних кабелів, газових та водопровідних труб. Якщо Ви під час роботи випадково пошкодите електричні кабелі, контакт з відкритими металевими деталями інструмента може спричинити ураження електричним струмом.

Належне використання електроінструментів та дбайливий догляд за ними

- ▶ Для грубого шліфування ніколи не використовуйте відрізи шліфувальні круги.
- ▶ Надійно затягуйте змінний робочий інструмент та фланець. Якщо змінний робочий інструмент та фланець затягнуті недостатньо надійно, то після вимкнення існує небезпека, що змінний робочий інструмент зіскочить зі шпинделя під час гальмування двигуном.
- ▶ Дотримуйтеся вказівок виробника щодо застосування та зберігання шліфувальних кругів.

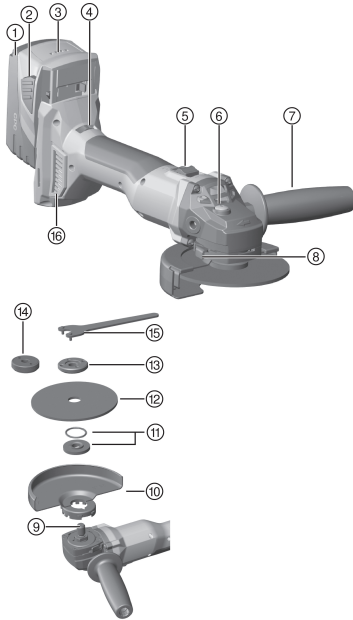
2.1.4 Застосування акумуляторних батарей та дбайливий догляд за ними

- ▶ Дотримуйтеся також особливих вказівок щодо транспортування, складського зберігання та застосування літій-іонних акумуляторних батарей.
- ▶ Не надавайте акумуляторні батареї впливу високих температур, прямих сонячних променів та відкритого вогню.
- ▶ Акумуляторні батареї забороняється розбирати, роздавлювати, нагрівати до температури понад 80 °C або спалювати.
- ▶ Не використовуйте та не заряджайте акумуляторні батареї, які зазнали впливу ударного навантаження, впали з висоти більше одного метра або були пошкоджені іншим чином. У разі виникнення такої ситуації завжди звертайтеся до **сервісної служби** компанії **Hilti**.
- ▶ Якщо акумуляторна батарея гаряча на дотик, вона може бути пошкоджена. Залиште інструмент у захищеному від вогню місці на достатній відстані від горючих матеріалів, де за ним можна спостерігати, і дайте йому охолонути. У разі виникнення такої ситуації завжди звертайтеся до **сервісної служби** компанії **Hilti**.



3 Опис

3.1 Огляд продукту



- ① Акумуляторна батарея
- ② Деблокувальна кнопка акумуляторної батареї
- ③ Індикатор стану заряду
- ④ Регулювання швидкості
- ⑤ Вимикач
- ⑥ Кнопка фіксації шпинделя
- ⑦ Бокова рукоятка
- ⑧ Кнопка розблокування кожуха
- ⑨ Шпиндель
- ⑩ Стандартний захисний кожух
- ⑪ Затискний фланець з ущільнювальним кільцем
- ⑫ Відрізний шліфувальний круг/круг для грубого шліфування
- ⑬ Затискна гайка
- ⑭ Швидкозатискна гайка **Kwik-Lock** (опція)
- ⑮ Затискний ключ
- ⑯ Фільтр для уловлювання пилу

3.2 Використання за призначенням

Описаний у цьому документі інструмент являє собою ручну акумуляторну кутову шліфувальну машину. Вона призначена для відрізного шліфування, грубого шліфування металевих і мінеральних матеріалів, щіткового чищення, шліфування наждачним папером, а також для свердління отворів у кахлі без використання води. Інструмент дозволяється застосовувати лише для сухого шліфування і різання.

- Відрізне шліфування, штробління та грубе шліфування мінеральних матеріалів допускається лише за умови використання відповідного захисного кожуха (додаткове приладдя).
- Під час обробки мінеральних основ, наприклад бетону або каменю, рекомендується використовувати витяжний кожух, призначений для експлуатації з відповідним пилососом **Hilti**.
- ▶ Застосовуйте із цим інструментом лише літій-іонні акумуляторні батареї **Hilti** типу B 22.
- ▶ Для заряджання цих акумуляторних батарей використовуйте тільки зарядні пристрої **Hilti** типу C4/36.

3.3 Комплект постачання

Кутова шліфувальна машина, бокова рукоятка, стандартний захисний кожух, передня накладка, затискний фланець, затискна гайка, затискний ключ, фільтр для уловлювання пилу, інструкція з експлуатації. Інше приладдя, допущене до експлуатації з Вашим інструментом, Ви можете придбати у найближчому магазині **Hilti Store** або на веб-сайті www.hilti.group.

3.4 Система ATC

Інструмент оснащений електронною системою аварійного вимкнення ATC (Active Torque Control).

Якщо станеться блокування або заклинювання робочого інструмента, шурупокрут може раптово та неконтрольовано зсунутися у напрямку, протилежному напрямку обертання робочого інструмента. Система ATC розпізнає цей раптовий обертальний рух та одразу вимикає інструмент.



2233926

Українська

157



Задля забезпечення належного функціонування не можна створювати перешкод для обертового руху інструмента.

У разі спрацювання системи аварійного вимкнення вимкніть інструмент, а потім увімкніть його знову.

3.5 Термозахист інструмента

Система термозахисту двигуна контролює споживання електроенергії, нагрівання двигуна і захищає інструмент від перегрівання.

У разі перенавантаження двигуна через занадто сильне притискання інструмента потужність інструмента помітно знижується та він може зупинитися.

Якщо через перенавантаження інструмент зупиняється або знижує швидкість обертання, слід зменшити навантаження на інструмент і дати йому попрацювати приблизно 30 секунд на холостому ході.

3.6 Захисний кожух з передньою накладкою 2

Під час обробки металевих матеріалів за допомогою прямих кругів для грубого шліфування або відрізних шліфувальних кругів використовуйте стандартний захисний кожух із передньою накладкою.

3.7 Пилозахисний кожух компактного виконання (різання) DC-EX 125/5" С (приладдя) 3

Для відрізного шліфування мінеральних матеріалів за допомогою алмазних відрізних шліфувальних кругів слід використовувати кожух компактного виконання DC-EX 125/5" С.

Обробляти метал з використанням цього кожуха забороняється.

3.8 Пилозахисний кожух (штробління) DC-EX 125/5"М (приладдя) 4

Роботи з відрізного шліфування і штробління на мінеральних основах за допомогою алмазних відрізних шліфувальних кругів потрібно проводити лише з пилозахисним кожухом.

ОБЕРЕЖНО! Обробляти метал з використанням цього кожуха забороняється.

3.9 Пилозахисний кожух (шліфування) DG-EX 125/5" (приладдя) 5

Шліфувальна система не призначена для постійного шліфування мінеральних основ за допомогою алмазних чашкових кругів.

Обробляти метал з використанням цього кожуха забороняється.

3.10 Індикатор стану заряду літій-іонної акумуляторної батареї

Щоб відобразити стан заряду літій-іонної акумуляторної батареї, слід злегка натиснути на одну з деблокувальних кнопок акумуляторної батареї.

Стан	Значення
4 світлодіоди горять.	Стан заряду: від 75 % до 100 %
3 світлодіоди горять.	Стан заряду: від 50 % до 75 %
2 світлодіоди горять.	Стан заряду: від 25 % до 50 %
Горить 1 світлодіод.	Стан заряду: від 10 % до 25 %
Мигає 1 світлодіод.	Стан заряду: < 10 %



Під час роботи та відразу після її закінчення визначити стан заряду акумуляторної батареї неможливо. Якщо світлодіодні індикатори стану заряду акумуляторної батареї мигають, будь ласка, виконайте вказівки, наведені в розділі «Допомога у разі виникнення несправностей».

4 Видаткові матеріали

Дозволяється використовувати лише армовані волокнистим матеріалом шліфувальні круги (макс. Ø 125 мм) зі зв'язуючою речовиною на основі синтетичної смоли, які допущені до застосування при частоті обертання не менше 11000 об/хв. та периферійній швидкості 80 м/с.

Товщина круга для грубого шліфування має складати не більше 6,4 мм; товщина відрізного шліфувального круга – не більше 3,0 мм.



УВАГА! Під час різання та штробління за допомогою відрізних шліфувальних кругів завжди використовуйте стандартний захисний кожух із додатковою передньою накладкою або повністю закритий захисний кожух.

Круги

Тип	Застосування	Умовне позначення	Матеріал
Абразивний відрізний шліфувальний круг	Відрізне шліфування, штробління	AC-D	металевий
Алмазний відрізний шліфувальний круг	Відрізне шліфування, штробління	DC-TP, DC-D (SPX, SP, P)	мінеральний
Абразивний круг для грубого шліфування	Грубе шліфування	AG-D, AF-D, AN-D	металевий
Алмазний круг для грубого шліфування	Грубе шліфування	DG-CW (SPX, SP, P)	мінеральний
Дротова щітка	Дротові щітки	3CS, 4CS, 3SS, 4SS	металевий
Алмазна бурова коронка	Свердління отворів у кахлі	DD-M14	мінеральний
Фібровий круг	Грубе шліфування	AP-D	металевий

Добір кругів до приладдя, що використовується

Поз.	Приладдя	AC-D	AG-D, AF-D, AN-D	DG-CW (SPX, SP, P)	DC-TP, DC-D (SPX, SP, P)	AP-D	3CS, 4CS, 3SS, 4SS, DD-M14
A	Захисний кожух	X	X	X	X	X	X
B	Передня накладка (у комбінації з A)	X	—	—	X	—	—
C	Пилозахисний кожух (шліфування) DG-EX 125/5"	—	—	X	—	—	—
D	Пилозахисний кожух (різання) DC-EX 125/5"C (у комбінації з A)	—	—	—	X	—	—
E	Пилозахисний кожух (штробління) DC-EX 125/5"М	—	—	—	X	—	—
F	Адаптер DC-EX SL (у комбінації з E)	—	—	—	X	—	—
G	Бокова рукоятка	X	X	X	X	X	X
H	Затискна гайка	X	X	X	X	—	—
I	Затискний фланець	X	X	X	X	—	—
J	Гайка Kwik-Lock (додається до H)	X	X	—	X	—	—
K	Затискна гайка для фібрового круга	—	—	—	—	X	—
L	Опорний диск	—	—	—	—	X	—

5 Технічні дані

	AG 4S-A22-125
Номінальна напруга	21,6 В
Номінальна частота обертання	8 500 об/хв
Максимальний діаметр круга	125 мм



2233926

Українська

159

	AG 4S-A22-125
Маса згідно з процедурою ЕРТА 01	3,1 кг
Приводний шпindel з різьбою	M14
Довжина шпindelя	22 мм
Температура навколишнього середовища під час роботи	-17 °C ... 60 °C
Температура зберігання	-20 °C ... 70 °C

5.1 Технічні дані

Довжина шпindelя	22 мм
Температура навколишнього середовища під час роботи	-17 °C ... 60 °C
Температура зберігання	-20 °C ... 70 °C

5.2 Акумуляторна батарея

Робоча напруга акумуляторної батареї	21,6 В
Температура навколишнього середовища під час роботи	-17 °C ... 60 °C
Температура зберігання	-20 °C ... 40 °C
Температура акумуляторної батареї на початку процесу заряджання	-10 °C ... 45 °C

5.3 Дані про шум та значення вібрації, виміряні згідно зі стандартом EN 60745

Наведені у цих рекомендаціях значення звукового тиску та вібрації були виміряні згідно з установленою процедурою вимірювання та можуть використовуватися для порівняння електроінструментів. Вони також придатні для попереднього оцінювання шумового та вібраційного навантаження.

Наведені дані обумовлюють переважні сфери застосування електроінструмента. Однак якщо Ви використовуєте його не за призначенням, застосовуєте нестандартне приладдя або неналежним чином здійснюєте догляд за інструментом, ці дані можуть відрізнитися від вказаних значень. Це може призвести до помітного збільшення шумового та вібраційного навантаження протягом усього робочого часу.

Для більш точної оцінки шумового та вібраційного навантаження необхідно враховувати також проміжки часу, протягом яких інструмент залишається вимкненим або працює на холостому ході. Це може значно зменшити вібраційне та шумове навантаження протягом усього робочого часу.

Необхідно також вживати додаткових заходів безпеки з метою захисту працівників від дії шуму та/або вібрації, зокрема: проводити своєчасне технічне обслуговування електроінструмента та змінних робочих інструментів до нього, тримати руки у теплі, належним чином організувати робочий процес.

AG 4S-A22-125

Інформація про шум

Рівень звукового тиску (L_{pA})	81,5 дБ(A)
Похибка для рівня звукового тиску (K_{pA})	3 дБ(A)
Рівень шумової потужності (L_{WA})	92,5 дБ(A)
Похибка для рівня шумової потужності (K_{WA})	3 дБ(A)

Інформація про вібрацію

Значення вібрації може змінюватися під час застосування інструмента з іншою метою, приміром для різання.

Шліфування поверхні з використанням вібропоглинаючої рукоятки ($a_{h,AG}$)	4,7 м/с ²
Шліфування з використанням наждачного паперу і вібропоглинаючої рукоятки ($a_{h,DS}$)	5,3 м/с ²
Похибка (K)	1,5 м/с ²



6 Уведення в експлуатацію

6.1 Заряджання акумуляторної батареї

1. Перед заряджанням акумуляторної батареї прочитайте інструкцію з експлуатації зарядного пристрою.
2. Контакти акумуляторної батареї та зарядного пристрою повинні бути чистими та сухими.
3. Заряджайте акумуляторну батарею тільки за допомогою тих зарядних пристроїв, які допущені до застосування з нею.

6.2 Установлення акумуляторної батареї

ОБЕРЕЖНО

Ризик отримання травм внаслідок короткого замикання або падіння акумуляторної батареї!

- ▶ Перш ніж установлювати акумуляторну батарею, переконайтеся, що на контактах батареї та інструмента немає сторонніх предметів.
- ▶ Завжди перевіряйте, щоб акумуляторна батарея була правильно зафіксована.

1. Перед першим використанням акумуляторну батарею слід повністю зарядити.
2. Уставте акумуляторну батарею у тримач на інструменті таким чином, щоб вона зафіксувалася із чітким характерним звуком.
3. Переконайтеся, що акумуляторна батарея надійно зафіксована в інструменті.

6.3 Виймання акумуляторної батареї

1. Натисніть на деблокувальні кнопки акумуляторної батареї.
2. Дістаньте акумуляторну батарею із тримача на інструменті.

6.4 Установлення бокової рукоятки

- ▶ Прикрутіть бокову рукоятку до однієї з передбачених для цього нарізних втулок.

6.5 Установлення або зняття захисного кожуха

ОБЕРЕЖНО

Ризик отримання травм. Змінний робочий інструмент може бути гарячим, а його кромки – гострими.

- ▶ Використовуйте захисні рукавиці під час установлення або зняття деталей, виконання робіт з налаштування і усунення несправностей.

- ▶ Дотримуйтеся інструкцій зі встановлення відповідного захисного кожуха.

6.5.1 Установлення стандартного захисного кожуха



Захисний кожух має спеціальні виступи, які дають змогу встановлювати лише той кожух, що підходить для використання з інструментом. Фіксація захисного кожуха здійснюється за допомогою з'єднувачів, розташованих на кріпленні інструмента.

1. Надіньте захисний кожух на шийку шпинделя так, щоб обидва зображення трикутників на інструменті і на захисному кожусі були розташовані один напроти одного.
2. Притисніть захисний кожух до шийки шпинделя.
3. Натисніть кнопку розблокування кожуха і повертайте захисний кожух, поки він не буде зафіксований у потрібному положенні.
 - ▶ Кнопка розблокування кожуха відскакує назад.

6.5.2 Регулювання стандартного захисного кожуха

- ▶ Натисніть кнопку розблокування кожуха і повертайте захисний кожух, поки він не буде зафіксований у потрібному положенні.



6.5.3 Знімання стандартного захисного кожуха

1. Натисніть кнопку розблокування кожуха та поверніть захисний кожух таким чином, щоб обидва зображення трикутників на захисному кожусі та на інструменті були розташовані один напроти одного.
2. Зніміть захисний кожух.

6.6 Установлення та зняття передньої накладки



Якщо Ви працюєте з передньою накладкою, її слід встановлювати на захисний кожух.

1. Установіть передню накладку до упора таким чином, щоб її закрита сторона була направлена до стандартного захисного кожуха.
2. Щоб від'єднати передню накладку, відкрийте фіксатор та зніміть її зі стандартного захисного кожуха.

6.7 Установлення та знімання змінних робочих інструментів



ПОПЕРЕДЖЕННЯ

Ризик отримання травм. Змінний робочий інструмент може зіскочити зі шпинделя під час гальмування двигуном.

- ▶ Зачекайте, доки змінний робочий інструмент повністю зупиниться, перш ніж торкатися нього або затискної гайки.
- ▶ Фіксуйте змінний робочий інструмент та затискний фланець за допомогою затискної гайки достатньо надійно, щоб під час гальмування двигуном від шпинделя не від'єдналися жодні деталі.



ОБЕРЕЖНО

Ризик отримання травм. Змінний робочий інструмент може бути гарячим.

- ▶ Під час заміни робочого інструмента використовуйте захисні рукавиці.



Алмазні круги слід замінити, коли ефективність різання або шліфування помітно знижується. Як правило, це відбувається у тому випадку, якщо висота алмазних сегментів становить менше 2 мм. Круги інших типів слід замінити, коли ефективність різання помітно знижується або коли під час роботи будь-які частини кутової шліфувальної машини (окрім круга) торкаються оброблюваного матеріалу.

Абразивні круги слід замінити після дати закінчення терміну придатності.

6.7.1 Установлення змінного робочого інструмента

1. Вийміть акумуляторну батарею. → стор. 161
2. Переконайтеся, що ущільнювальне кільце знаходиться у затискному фланці та не пошкоджене.

Результат

Ущільнювальне кільце пошкоджене.

Ущільнювальне кільце відсутнє у затискному фланці.

- ▶ Уставте новий затискний фланець з ущільнювальним кільцем.

3. Установіть на шпindel затискний фланець, оснащений геометричним замиканням та захистом від перекручування.
4. Установіть змінний робочий інструмент.
5. Затягніть затискну гайку відповідно до змінного робочого інструмента, що використовується.
6. Натисніть і утримуйте кнопку фіксації шпинделя.
7. За допомогою затискного ключа затягніть затискну гайку, після чого відпустіть кнопку фіксації шпинделя та зніміть ключ.

6.7.2 Зняття змінного робочого інструмента

1. Вийміть акумуляторну батарею. → стор. 161



ОБЕРЕЖНО

Небезпека пошкодження та руйнування. Якщо натиснути кнопку фіксації шпинделя під час обертання шпинделя, змінний робочий інструмент може зіскочити з нього.

- ▶ Натискайте кнопку фіксації шпинделя тільки після того, як він повністю зупиниться.



2. Натисніть і утримуйте кнопку фіксації шпінделя.
3. Послабте затиску гайку, встановивши на неї ключ та повернувши його проти годинникової стрілки.
4. Відпустіть кнопку фіксації шпінделя та вийміть змінний робочий інструмент.

6.7.3 Установлення змінного робочого інструмента зі швидкозатисною гайкою **Kwik-Lock** 9

ОБЕРЕЖНО

Небезпека пошкодження. Якщо затягувати швидкозатисну гайку **Kwik-Lock** занадто міцно, вона може зламатися.

- ▶ Слідкуйте за тим, щоб під час роботи швидкозатисна гайка **Kwik-Lock** не торкалася опорної поверхні.
- ▶ Не використовуйте пошкоджену затисну гайку **Kwik-Lock**.



Замість затисної гайки можна використовувати швидкозатисну гайку **Kwik-Lock** (приладдя). Вона дає змогу змінювати робочі інструменти без використання додаткового приладдя.

1. Вийміть акумуляторну батарею. → стор. 161
2. Переконайтеся, що ущільнювальне кільце знаходиться у затисному фланці та не пошкоджене.

Результат

Ущільнювальне кільце пошкоджене.

Ущільнювальне кільце відсутнє у затисному фланці.

- ▶ Уставте новий затисний фланець з ущільнювальним кільцем.
3. Почистіть затисний фланець і швидкозатисну гайку.
 4. Установіть затисний фланець на шпіндель.
 5. Установіть змінний робочий інструмент.
 6. Затягніть швидкозатисну гайку **Kwik-Lock**, доки вона не буде встановлена на змінний робочий інструмент.
 - ↳ Напис **Kwik-Lock** у затягнутому положенні повинен читатися.
 7. Натисніть і утримуйте кнопку фіксації шпінделя.
 8. Вручну обертайте змінний робочий інструмент за годинниковою стрілкою, поки швидкозатисна гайка **Kwik-Lock** не буде міцно затягнута, після чого відпустіть кнопку фіксації шпінделя.

6.7.4 Зняття змінного робочого інструмента зі швидкозатисною гайкою **Kwik-Lock**

1. Вийміть акумуляторну батарею. → стор. 161

ОБЕРЕЖНО

Небезпека пошкодження та руйнування. Якщо натиснути кнопку фіксації шпінделя під час обертання шпінделя, змінний робочий інструмент може зіскочити з нього.

- ▶ Натискайте кнопку фіксації шпінделя тільки після того, як він повністю зупиниться.
2. Натисніть і утримуйте кнопку фіксації шпінделя.
 3. Відкрутіть швидкозатисну гайку **Kwik-Lock**, обертаючи її рукою проти годинникової стрілки.
 4. Якщо Ви не можете відкрутити швидкозатисну гайку **Kwik-Lock** вручну, встановіть на неї ключ та повертайте його проти годинникової стрілки.



Ніколи не користуйтеся трубним ключем, щоб не пошкодити затисну гайку **Kwik-Lock**.

5. Відпустіть кнопку фіксації шпінделя та вийміть змінний робочий інструмент.

6.7.5 Установлення бурової коронки 10

1. Вийміть акумуляторну батарею. → стор. 161
2. Установіть бокову рукоятку. → стор. 161
3. Установіть стандартний захисний кожух.
4. Уставте бурову коронку і закрутіть її зусиллям руки.
5. Натисніть і утримуйте кнопку фіксації шпінделя.
6. Затягніть бурову коронку за допомогою відповідного гайкового ключа.
7. Після цього відпустіть кнопку фіксації шпінделя та зніміть ключ.



6.7.6 Установлення дротової щітки

1. Вийміть акумуляторну батарею. → стор. 161
2. Установіть бокову рукоятку. → стор. 161
3. Установіть стандартний захисний кожух.
4. Уставте дротову щітку і закрутіть її зусиллям руки.
5. Натисніть і утримуйте кнопку фіксації шпинделя.
6. Затягніть дротову щітку за допомогою відповідного гайкового ключа.
7. Після цього відпустіть кнопку фіксації шпинделя та змініть ключ.

6.7.7 Установлення фібрового круга

1. Вийміть акумуляторну батарею. → стор. 161
2. Установіть бокову рукоятку. → стор. 161
3. Установіть стандартний захисний кожух.
4. Установіть опорний диск і фібровий круг та міцно прикрутіть затискну гайку.
5. Натисніть і утримуйте кнопку фіксації шпинделя.
6. Надійно затягніть затискну гайку ключем.
7. Після цього відпустіть кнопку фіксації шпинделя та змініть затискний ключ.

7 Експлуатація

7.1 Увімкнення

1. Натисніть на задню частину вимикача.
2. Пересуньте вимикач уперед.
 - ↳ Двигун працює.
3. Зафіксуйте вимикач.

7.2 Шліфування

ОБЕРЕЖНО

Ризик отримання травм. Може раптово статися блокування або заїдання змінного робочого інструмента.

- ▶ Під час роботи з інструментом завжди використовуйте бокову рукоятку, а сам інструмент міцно утримуйте обома руками.
-

7.3 Відрізне шліфування

- ▶ Для здійснення відрізного шліфування помірно просувайте інструмент уперед, але не перекошуйте інструмент або відрізний шліфувальний круг (він має бути розташований під кутом близько 90° до площини різання).
-



Щоб досягти найкращих результатів різання профілів та невеликих прямокутних труб, рекомендується спочатку розташувати відрізний шліфувальний круг з їхньої найменшої сторони.

7.4 Грубе шліфування

ОБЕРЕЖНО

Ризик отримання травм. Відрізний шліфувальний круг може тріснути, а його уламки, що розлітаються, можуть спричинити травми.

- ▶ Для грубого шліфування ніколи не використовуйте відрізні шліфувальні круги.
-
- ▶ Пересувайте інструмент вперед і назад, помірно натискаючи на нього та утримуючи його під кутом від 5° до 30°.
 - ↳ Таким чином вдається уникнути надмірного нагріву оброблюваної деталі, її знебарвлювання та утворення рубців.



7.5 Вимикання інструмента

- ▶ Натисніть на задню частину вимикача.
 - ↳ Вимикач переходить у положення вимкнення, після чого двигун зупиняється.

8 Догляд і технічне обслуговування

ПОПЕРЕДЖЕННЯ

Небезпека травмування під час виконання робіт на інструменті з установленою акумуляторною батареєю!

- ▶ Завжди діставайте з інструмента акумуляторну батарею, перш ніж розпочинати будь-які роботи з догляду та технічного обслуговування!

Догляд за інструментом

- Обережно видаляйте накопичення бруду.
- Зніміть фільтр для уловлювання пилу та обережно прочистьте його і вентиляційні прорізи сухою щіткою.
- Протирайте корпус вологою тканиною. Забороняється використовувати миючі засоби, що містять силікон, оскільки вони можуть пошкодити пластмасові деталі.

Догляд за літій-іонними акумуляторними батареями

- Тримайте акумуляторну батарею у чистоті, не допускайте її забруднення мастильними матеріалами.
- Протирайте корпус вологою тканиною. Забороняється використовувати миючі засоби, що містять силікон, оскільки вони можуть пошкодити пластмасові деталі.
- Уникайте потрапляння вологи всередину інструмента.

Технічне обслуговування

- Регулярно перевіряйте усі зовнішні частини на наявність пошкоджень, а органи керування інструмента – на предмет справної роботи.
- Якщо Ви виявили пошкодження та/або порушення функціональності інструмента, припиніть його використання. Негайно зверніться до сервісної служби компанії **Hilti** для здійснення ремонту.
- Після проведення догляду і технічного обслуговування встановіть усі захисні пристрої та перевірте їхню роботу.



Щоб гарантувати належну роботу інструмента, використовуйте тільки оригінальні запасні частини та видаткові матеріали. Рекомендовані запасні частини, видаткові матеріали та приладдя для Вашого інструмента Ви можете придбати у найближчому магазині **Hilti Store** або на веб-сайті www.hilti.group.

9 Транспортування і зберігання акумуляторних інструментів

Транспортування

ОБЕРЕЖНО

Непередбачене увімкнення інструмента під час транспортування!

- ▶ На час транспортування завжди діставайте з інструмента акумуляторну батарею!
- ▶ Вийміть акумуляторні батареї.
- ▶ Не слід перевозити акумуляторні батареї у незапакованому вигляді.
- ▶ Перш ніж використовувати інструмент та акумуляторні батареї після дальніх перевезень, їх слід перевірити на наявність пошкоджень.

Зберігання

ОБЕРЕЖНО

Непередбачене пошкодження інструмента через несправність акумуляторної батареї або через виток електроліту з акумуляторної батареї!

- ▶ На час зберігання завжди діставайте з інструмента акумуляторну батарею!
- ▶ Зберігайте інструмент та акумуляторні батареї у якомога більш прохолодному та сухому місці.
- ▶ Забороняється зберігати акумуляторні батареї на сонці, на опалювальних приладах або на підвіконні.
- ▶ Зберігайте інструмент та акумуляторні батареї у сухому місці, недоступному для дітей та сторонніх осіб.



2233926

Українська

165

- ▶ Перш ніж використовувати інструмент та акумуляторні батареї після довгого зберігання, їх слід перевірити на наявність пошкоджень.

10 Допомога у разі виникнення несправностей

У разі виникнення несправностей, які не зазначені у цій таблиці або які Ви не можете полагодити самостійно, зверніться до сервісної служби компанії **Hilti**.

10.1 Пошук і усунення несправностей

Несправність	Можлива причина	Рішення
Акумуляторна батарея розряджається швидше, ніж звичайно.	Занадто низька температура навколишнього середовища.	▶ Зачекайте, доки акумуляторна батарея повільно нагріється до кімнатної температури.
Акумуляторна батарея не зафіксується з чітко відчутним клацанням.	Фіксатори акумуляторної батареї засмічені.	▶ Прочистіть зачіпки фіксаторів та вставте акумуляторну батарею знову.
Мигає 1 світлодіод. Інструмент не працює.	Акумуляторна батарея розряджена.	▶ Замініть акумуляторну батарею та зарядіть розряджену акумуляторну батарею.
	Акумуляторна батарея занадто холодна або гаряча.	▶ Зачекайте, доки акумуляторна батарея повільно нагріється або охолоне до кімнатної температури.
Всі 4 світлодіоди мигають. Інструмент не працює.	Інструмент перенавантажений.	▶ Відпустіть вимикач та знову натисніть на нього. Після цього дайте інструменту попрацювати приблизно 30 секунд на холостому ходу.
Кутова шліфувальна машина або її акумуляторна батарея сильно перегріваються.	Електрична несправність	▶ негайно вимкніть інструмент, дістаньте акумуляторну батарею, поспостерігайте за нею, дайте їй охолонути, після чого зверніться до сервісної служби компанії Hilti .
Інструмент працює не на повну потужність.	Використовується акумуляторна батарея занадто низької ємності.	▶ Скористайтеся акумуляторною батареєю достатньої ємності.
Не працює функція гальмування двигуном.	Акумуляторна батарея розряджена.	▶ Замініть акумуляторну батарею та зарядіть розряджену акумуляторну батарею.
	Сталося короткочасне перенавантаження інструмента.	▶ Вимкніть інструмент, а потім увімкніть його знову.

11 RoHS (директива КНР про обмеження використання небезпечних речовин)

Щоб переглянути таблицю з інформацією про небезпечні речовини, будь ласка, перейдіть за таким посиланням: qr.hilti.com/r9884540.

Посилання на таблицю з інформацією про речовини, включені до директиви RoHS, наведено наприкінці цього документа у вигляді QR-коду.

12 Утилізація

Більшість матеріалів, з яких виготовлено інструменти компанії **Hilti**, придатні для вторинної переробки. Передумовою для їхньої вторинної переробки є належне сортування відходів за типом матеріалу. У багатьох країнах світу компанія **Hilti** приймає старі інструменти для їхньої утилізації. Щоб отримати додаткову інформацію з цього питання, звертайтеся до сервісної служби компанії **Hilti** або до свого торгового консультанта.



Утилізація акумуляторних батарей

У разі неналежної утилізації акумуляторних батарей з них можуть виходити небезпечні для здоров'я газу або рідини.

- ▶ Пошкоджені акумуляторні батареї забороняється пересилати поштою або кур'єрською службою!
- ▶ Закрийте контакти акумуляторних батарей електронепровідним матеріалом, щоб запобігти короткому замиканню.
- ▶ Утилізуйте акумуляторні батареї таким чином, щоб вони не потрапили до рук дітей.
- ▶ Щоб утилізувати акумуляторну батарею, передайте її до найближчого магазину **Hilti Store** або зверніться до представника відповідної компанії з утилізації відходів.



- ▶ Не викидайте електроінструменти, електронні пристрої та акумуляторні батареї у баки для побутового сміття!

13 Гарантійні зобов'язання виробника

- ▶ Із питань гарантії, будь ласка, звертайтеся до Вашого місцевого партнера компанії **Hilti**.



1 Құжаттама бойынша деректер

1.1 Бұл құжаттама туралы



Импорттауыш және өндірушінің өкілетті ұйымы

- (RU) Ресей Федерациясы
"Хилти Дистрибьюшн ЛТД" АҚ, 141402, Мәскеу облысы, Химки қ., Ленинградская көш., фирм. 25
- (BY) Беларусь Республикасы
222750, Минск облысы, Дзержинский ауданы, Р-1, 18-ші км, 2 (Слободка ауылының жанында), 1-34 бөлімі
- (KZ) Қазақстан Республикасы
Қазақстан Республикасы, индекс 050011, Алматы қ., Пугачев көш., 4-үй
- (KG) Қырғыз Республикасы
"Т AND Т" ЖШҚ, 720021, Қырғызстан, Бішкек қ., Ибраимов көш., 29 А үйі
- (AM) Армения Республикасы
Эйч-Кон ЖШҚ, Армения Республикасы, Ереван қ., Бабаян көш., 10/1 үйі

Өндірілген елі: жабдықтағы белгілеу тақтайшасын қараңыз.

Өндірілген күні: жабдықтағы белгілеу тақтайшасын қараңыз.

Тиісті сертификатты мына мекенжай бойынша табуға болады: www.hilti.ru

Сақтау, тасымалдау және пайдалану шарттарына пайдалану бойынша нұсқаулықта белгіленгеннен басқа арнайы талаптар қойылмайды.

Өнімнің қызмет ету мерзімі 5 жыл.

- Іске қосу алдында осы құжаттаманы оқып шығыңыз. Бұл қауіпсіз жұмыс пен ақаусыз басқару үшін алғышарт болып табылады.
- Осы құжаттамадағы және өнімдегі қауіпсіздік және ескерту нұсқауларын орындаңыз.
- Пайдалану бойынша нұсқаулықты әрдайым өнімде сақтаңыз және оны басқа тұлғаларға тек осы нұсқаулықпен бірге тапсырыңыз.

1.2 Шартты белгілердің анықтамасы

1.2.1 Ескерту

Ескертулер өнімді қолдану барысындағы қауіптер туралы ескертеді. Төмендегі сигналдық сөздер пайдаланылады:



ҚАУІПТІ

ҚАУІПТІ !

- ▶ Ауыр жарақаттарға әкелетін немесе өмірге қауіп төндіретін тікелей қауіпті жағдайдың жалпы белгіленуі.



ЕСКЕРТУ

ЕСКЕРТУ !

- ▶ Ауыр жарақаттарға әкелуі немесе өмірге қауіп төндіруі мүмкін ықтимал қауіпті жағдайдың жалпы белгіленуі.



АБАЙЛАҢЫЗ

АБАЙЛАҢЫЗ !

- ▶ Жеңіл жарақаттарға немесе аспаптың зақымдалуына әкелуі мүмкін ықтимал қауіпті жағдайдың жалпы белгіленуі.

1.2.2 Құжаттамадағы белгілер

Бұл құжаттамада төмендегі белгілер пайдаланылады:



Пайдалану алдында пайдалану бойынша нұсқаулықты оқу қажет



	Аспапты пайдалану бойынша нұсқаулар және басқа пайдалы ақпарат
	Қайта пайдалануға болатын материалдармен жұмыс істеу
	Электр аспаптарды және аккумуляторларды тұрмыстық қоқысқа тастамаңыз

1.2.3 Суреттердегі белгілер

Суреттерде төмендегі белгілер қолданылады:

	Бұл сандар осы нұсқаулықтың басындағы әр суретке сәйкес келеді
3	Нөмірлеу суреттегі жұмыс қадамдарының реттілігін білдіреді және мәтіндегі жұмыс қадамдарынан өзгешеленуі мүмкін
	Позиция нөмірлері Шолу суретінде қолданылады және Өнімге шолу мақаласындағы шартты белгілердің нөмірлеріне сілтейді
	Аталмыш белгілер өнімді қолдану барысында айрықша назарыңызды аудартады.

1.3 Өнімге қатысты белгілер

1.3.1 Өнімдегі белгілер

Төмендегі белгілер өнімде қолданылады:

	Қорғауыш көзілдірікті киіңіз
n	Номиналды айналу жиілігі
/min	Минут ішіндегі айналымдар
RPM	Минут ішіндегі айналымдар
	Диаметр
	Тұрақты ток
	Сымсыз дерек тасымалы
Li-Ion	Литий-иондық аккумулятор
	Пайдаланылған HilTI литий-ион аккумуляторының сериясы. Қолдану мақсаты бөліміндегі нұсқауларды орындаңыз.

1.4 Өнім туралы ақпарат

HILTI өнімдері кәсіби пайдаланушыларға арналған және оларды тек қана өкілетті, білікті қызметкерлер пайдалануы, күтім және техникалық қызмет көрсетуі тиіс. Қызметкерлер қауіпсіздік техникасы бойынша арнайы нұсқау алуы керек. Өнім мен оның қосалқы құралдарын басқа мақсатта қолдану немесе олардың оқытылмаған қызметкерлердің тарапынан пайдаланылуы қауіпті. Түр сипаттамасы мен сериялық нөмір фирмалық тақтайшада берілген.

- Сериялық нөмірді төмендегі кестеге көшіріп қойыңыз. Өнім туралы мәліметтерді өкілдігімізге немесе қызмет көрсету бөлімімізге сұрау беру арқылы алуға болады.

Өнім туралы мәліметтер

Бұрыштық ажарлау машинасы	AG 4S-A22
Буын	01
Сериялық нөмір	



2233926

1.5 Сәйкестілік декларациясы

Біз осы нұсқаулықта сипатталған өнімнің қолданыстағы директивалар мен нормативтерге сәйкес келетінін толық жауапкершілікпен жариялаймыз. Сәйкестілік декларациясының суреті осы құжаттамааның соңында орналасқан.

Техникалық құжаттама мына жерде сақталған:

Hilti Entwicklungsgesellschaft mbH | Zulassung Geräte | Hiltistraße 6 | 86916 Kaufering, DE

2 Қауіпсіздік

2.1 Қауіпсіздік техникасы бойынша нұсқаулар

2.1.1 Электр құралдары үшін қауіпсіздік техникасы бойынша жалпы нұсқаулар

⚠ ЕСКЕРТУ Бұл электр құралына арналған барлық қауіпсіздік нұсқауларын, нұсқауларды, суреттерді және техникалық деректерді оқып шығыңыз. Төменде берілген нұсқауларды орындамау электр тогының соғуына, өртке әкелуі мүмкін және/немесе ауыр жарақаттарды тудыруы мүмкін.

Қауіпсіздік техникасы бойынша барлық нұсқауларды және нұсқауларды келесі пайдаланушы үшін сақтаңыз.

Қауіпсіздік нұсқауларында қолданылатын «электр құралы» термині электр желісінен (желілік кабельмен) және аккумулятордан (желілік кабельсіз) жұмыс істейтін электр құралын білдіреді.

Жұмыс орны

- ▶ **Жұмыс орнындағы тазалықты және тәртіпті қадағалаңыз.** Жұмыс орнындағы ретсіздік және нашар жарық сәтсіз жағдайларға әкелуі мүмкін.
- ▶ **Жанғыш сұйықтықтар, газдар немесе шаң бар жарылыс қаупі бар аймақта электр құралын қолданбаңыз.** Жұмыс кезінде электр құралдары ұшқындар шығады және ұшқындар шаңды немесе буларды тұтандыруы мүмкін.
- ▶ **Балалардың және бөгде адамдардың жұмыс істеп тұрған электр құралына жақындауына рұқсат етпеңіз.** Жұмысқа көңіл бөлмегенде, электр құралын бақылау жоғалуы мүмкін.

Электр қауіпсіздігі

- ▶ **Электр құралдың байланыс ашасы электр желісінің розеткасына сай болуы керек.** Айырдың конструкциясын өзгертпеңіз. Қорғауыш жерге қосуы бар электр құралдарымен бірге өтпелі айырларды қолданбаңыз. Түпнұсқа айырлар және оларға сай розеткалар электр тогының соғу қаупін азайтады.
- ▶ **Жерге қосылған беттерге, мысалы, құбырларға, жылыту құралдарына, пештерге (плиталарға) және тоңазытқыштарға тікелей тиюді болдырмаңыз.** Жерге қосылған заттарға тигенде электр тогының соғуының үлкен қаупі туындайды.
- ▶ **Электр құралдарды жаңбырдан немесе ылғал әсерінен сақтаңыз.** Электр құралға су тиюі нәтижесінде электр тогының соғу қаупі артады.
- ▶ **Байланыс сымын басқа мақсатта қолданбаңыз, мысалы, электр құралды тасымалдау, оны іліп қою немесе электр желісінің розеткасынан айырды шығару үшін.** Байланыс сымын жылу, май, өткір жиектер немесе жылжымалы бөліктерден алшақ ұстаңыз. Байланыс сымының зақымдалуы немесе қабаттасуы нәтижесінде электр тогының соғу қаупі артады.
- ▶ **Егер жұмыстар ашық ауада орындалса, тек бөлмелерден тыс қолдануға рұқсат етілген ұзартқыш сымдарды пайдаланыңыз.** Бөлмелерден тыс қолдануға жарамды ұзартқыш сымды пайдалану электр тогының соғу қаупін азайтады.
- ▶ **Егер электр құралмен ылғалдылық жағдайларында жұмыс істеуді болдырмау мүмкін емес болса, шығып кететін токтан қорғау автоматын қолданыңыз.** Шығып кететін токтан қорғау автоматын қолдану электр тогының соғу қаупін азайтады.

Адамдардың қауіпсіздігі

- ▶ **Ұқыпты болыңыз, әрекеттеріңізге көңіл бөліңіз және электр құралымен жұмыс істеуге дұрыс қараңыз.** Шаршаған кезде немесе есірткі, алкоголь не дәрі қабылдаған соң электр құралын қолданбаңыз. Электр құралын қолданған кездегі зейінсіздік ауыр жарақаттарға апарып соғуы мүмкін.
- ▶ **Жеке қорғану құралдарын пайдаланыңыз және әрқашан міндетті түрде қорғауыш көзілдірікті киіңіз.** Электр құралының түріне және пайдалану жағдайларына байланысты жеке қорғану құралдарын, мысалы, шаңнан қорғайтын респираторды, сырғымайтын аяқ киімді, қорғауыш шлемді, естуді қорғау құралдарын қолдану жарақаттану қаупін азайтады.
- ▶ **Электр құралының кездейсоқ қосылуын болдырмаңыз.** Электр қуатына қосу және/немесе аккумуляторды қою, көтеру немесе тасымалдау алдында электр құралы өшірілгеніне көз



жеткізіңіз. Электр құралын тасымалдағанда саусақтар сөндіргіште болатын немесе қосылған электр құралы желіге қосылатын жағдайлар сәтсіз жағдайларға әкелуі мүмкін.

- ▶ **Электр құралын қосу алдында реттеуші құрылғыларды және гайка кілтін алыңыз.** Электр құралының айналатын бөлігіндегі аспап немесе кілт жарақаттарға әкелуі мүмкін.
- ▶ **Жұмыс кезінде ыңғайсыз қалыптарға тұрмауға тырысыңыз. Үнемі тұрақты күйді және тепе-теңдікті сақтаңыз.** Бұл күтпеген жағдайларда электр құралын жақсырақ басқаруға мүмкіндік береді.
- ▶ **Арнайы киімді киіңіз. Өте бос киімді немесе әшекейлерді кімеңіз. Шашты, киімді және қолғапты электр құралының айналатын түйіндерінен сақтаңыз.** Бос киім, әшекейлер және ұзын шаш оларға ілінуі мүмкін.
- ▶ **Егер шаңды жинау және кетіруге арналған құрылғыларды қосу қарастырылған болса, олар қосылғанына және мақсаты бойынша қолданылып жатқанына көз жеткізіңіз.** Шаңды кетіру модулін пайдалану шаңның зиянды әсерін азайтады.
- ▶ **Өз мойныңызға қате қауіпсіздік сезімін алмаңыз және электр құралына арналған қауіпсіздік ережелерін бұзбаңыз, тіпті электр құралын жиі қолданатын тәжірибелі пайдаланушы болсаңыз.** Мұқиятсыз қолдану бірнеше секундта ауыр жарақаттануға апарып соғуы мүмкін.

Электр құралын қолдану және оған қызмет көрсету

- ▶ **Аспапқа шамадан тыс жүктеме түсуін болдырмаңыз. Нақ осы жұмысқа арналған электр құралын қолданыңыз.** Бұл ережені сақтау көрсетілген қуат диапазонында жоғарырақ жұмыс сапасын және қауіпсіздігін қамтамасыз етеді.
- ▶ **Сөндіргіші бұзылған электр құралын қолданбаңыз.** Қосу немесе өшіру қиын электр құралы қауіпті және оны жөндеу керек.
- ▶ **Электр құралын реттеуге, саймандарды ауыстыруға кірісу алдында немесе жұмыстағы үзіліс алдында розеткадан ашаны және/немесе электр құралынан алмалы-салмалы аккумуляторды шығарыңыз.** Бұл сақтық шарасы электр құралының кездейсоқ қосылуын болдырмайды.
- ▶ **Қолданылмайтын электр құралдарын балалар жетпейтін жерде сақтаңыз. Аспаппен таныс емес немесе осы нұсқауларды оқып шықпаған адамдарға аспапты пайдалануға рұқсат бермеңіз.** Электр құралдары тәжірибесі жоқ пайдаланушылардың қолында қауіпті болады.
- ▶ **Электр құралдары мен керек-жарақтарға ұқыпты қараңыз. Айналымды бөліктердің мүлтіксіз қызмет ететінін, олардың жүрісінің жеңілдігін, барлық бөліктердің тұтастығын және электр құралының жұмысына теріс әсер етуі мүмкін зақымдардың жоқтығын тексеріңіз. Аспаптың зақымдалған бөліктерін оны қолдану алдында жөндеуге өткізіңіз.** Электр құралына техникалық қызмет көрсету ережелерін сақтамау көп сәтсіз жағдайлардың себебі болып табылады.
- ▶ **Кескіш аспаптардың үшкір және таза болуын қадағалау керек.** Жұмыс күйінде сақталатын кескіш аспаптардың сыналануы сиректеу болады, оларды басқару жеңілдеу.
- ▶ **Электр құралын, саймандарды, көмекші құрылғыларды және т.б. нұсқауларға сай пайдаланыңыз.** Бұл кезде жұмыс жағдайларын және орындалатын жұмыстың сипатын ескеріңіз. Электр құралдарын басқа мақсаттарда қолдану қауіпті жағдайларға әкелуі мүмкін.
- ▶ **Тұтқыштар мен тұтқыш беттерін таза, құрғақ, май іздерінен ұстаңыз.** Сырғанақ тұтқыштар мен олардың беттері белгілі бір жағдайларда электр құралының қауіпсіз қолданылуы мен басқарылуына жол бермейді.

Аккумуляторлық аспапты пайдалану және оған қарау

- ▶ **Аккумуляторды тек өндіруші ұсынған зарядтағыш құрылғылардың көмегімен зарядтаңыз.** Зарядтағыш құрылғыны тиісті емес аккумулятор түрлерін зарядтау үшін қолданғанда өрт туындауы мүмкін.
- ▶ **Аспаппен жұмыс істеу үшін тек тиісті аккумуляторларды қолданыңыз.** Басқа аккумуляторларды пайдалану жарақаттарға әкелуі және өрт тудыруы мүмкін.
- ▶ **Пайдаланылмайтын аккумуляторларды контакттардың тұйықталуының себебі болуы мүмкін скрепалардан, тындардан, кілттерден, инелерден, винттерден және басқа металл заттардан ары сақтаңыз.** Аккумулятор контакттарының тұйықталуы күйіктерге немесе тұтануға әкелуі мүмкін.
- ▶ **Аккумулятормен тиісті емес түрде жұмыс істегенде одан электролит ағып шығуы мүмкін. Оған тиюді болдырмаңыз. Кездейсоқ тигенде сумен шайыңыз. Электролит кезге тигенде дәрігер көмегіне жүгініңіз.** Аккумулятордан ағып шыққан электролит тері тітіркенуін немесе күйіктерді тудыруы мүмкін.
- ▶ **Зақымдалған не пішіні өзгертілген аккумуляторларды қолданбаңыз.** Зақымдалған не пішіні өзгертілген аккумуляторларды болжауға болмайды және олар өрт, жарылыс не жарақаттану қауіпін тудырады.
- ▶ **Аккумуляторды өрт не жоғары температуралы аймақтардан алшақ ұстаңыз.** Өрт немесе 130 °C (265 °F) жоғары температуралар жарылыс тудыруы мүмкін.



- ▶ Зарядтау үшін барлық нұсқауларды орындаңыз және аккумулятор не аккумуляторлық құралды ешқашан пайдалану бойынша нұсқаулықта берілген температура ауқымдарынан тыс зарядтамаңыз. Қате зарядтау немесе рұқсатты температура ауқымдарынан тыс зарядтау аккумуляторды бұзуы және өрт қаупін арттыруы мүмкін.

Қызмет

- ▶ Электр құралын жөндеуді тек түпнұсқа қосалқы бөлшектерді қолданатын білікті қызметкерлерге сеніп тапсырыңыз. Бұл электр құралын қауіпсіз күйде сақтауды қамтамасыз етеді.
- ▶ Зақымдалған аккумуляторларға ешқашан қызмет көрсетпеңіз. Аккумулятордың толық күтімін тек өндіруші немесе өкілетті қызмет көрсету орталықтары орындауы тиіс.

2.1.2 Тегістеу және зімпара дискілерімен тегістеу, сым қылшақтармен жұмыс істеу, жылтырату және кесу дискілерімен жұмыс істеу кезіндегі қауіпсіздік техникасы туралы жалпы нұсқаулар:

- ▶ Бұл электр құралды тегістеу және зімпара дискілерімен тегістеу үшін, сым қылшақпен және кесу дискілерімен жұмыс істеу үшін қолдануға рұқсат етіледі. Аспаппен бірге алынған барлық қауіпсіздік техникасы туралы нұсқауларды, нұсқауларды, схемаларды және деректерді орындаңыз. Төменде берілен нұсқауларды орындамау электр тогының соғуына, өртке және/немесе ауыр жарақаттарға әкелуі мүмкін.
- ▶ Бұл электр құрал жылтыратуға арналмаған. Электр құралды басқа мақсатта қолдану қауіпті жағдайлардың пайда болуына әкелуі мүмкін және жарақаттанудың себебі болуы мүмкін.
- ▶ Өндіруші арнайы осы электр құрал үшін жасамаған немесе ұсынбаған керек-жарақтарды қолданбаңыз. Сіздің электр құралда қандай да сайманды бекіте алғаныңыз оны қауіпсіз пайдалануға кепіл бермейді.
- ▶ Алмалы-салмалы құралда көрсетілген шекті айналу жиілігі электр құралда көрсетілген ең көп айналу жиілігінен азырақ болмауы керек. Рұқсат етілгеннен көбірек жиілікпен айналатын жұмыс аспабы бұзылуы мүмкін.
- ▶ Алмалы-салмалы құралдың сыртқы диаметрі және қалыңдығы электр құралдың өлшемдеріне сай болуы керек. Өлшемдері қажеттіге сай келмейтін жұмыс аспаптарын жеткілікті дәрежеде экрандау немесе басқару мүмкін емес.
- ▶ Бұрандалы алмалы-салмалы аспаптар тегістеу шпинделінің бұрандасына сай болуы керек. Фланецпен орнатылатын алмалы-салмалы аспаптарда алмалы-салмалы аспаптың тесік диаметрі фланецтің патрон диаметріне сай болуы керек. Электр құралда дұрыс бекітілмеген алмалы-салмалы аспаптар бір қалыпта айланбай, қатты дірілдеп бақылау жоғалтуына алып келуі мүмкін.
- ▶ Зақымдалған жұмыс аспаптарын қолданбаңыз. Әр пайдалану алдында тегістеу дискілерінде сынықтар мен сызаттар, тегістеу тарелкаларында сызаттар, тозу немесе қатты сырылу, сым қылшақтарында сыну немесе үзілу бар-жоғын тексеріңіз. Электр құрал немесе жұмыс аспабы құлағаннан кейін оларда зақымдар бар-жоғын тексеріңіз немесе жұмыс аспабын ауыстыруды орындаңыз. Айналатын алмалы-салмалы аспапты қолданғанда оператор мен жанында тұрған тұлғалар одан қауіпсіз қашықтықта болуы керек. Аспапқа бір минут бойы ең көп айналу жиілігімен жұмыс істеуге мүмкіндік беру керек. Ақаулы жұмыс аспаптары көбінесе осы бақылау уақыт аралығында істен шығады.
- ▶ Жеке қорғану құралдарын пайдаланыңыз. Жағдайларға байланысты қорғауыш масканы немесе қорғауыш көзілдірікті қолданыңыз. Қажет болғанда шаңнан қорғайтын масканы, қорғауыш құлаққапты, қорғауыш қолғаптарды немесе сізді өңдеп жатқан материалдың майда бөлшектерінен қорғайтын арнайы алжапқышты қолданыңыз. Әр түрлі жұмыстарды орындау кезінде пайда болатын бөлшектердің көзге тиюінен қорғауды қамтамасыз ету керек. Жұмыс кезінде пайда болатын шаңды респиратордың шаңнан қорғайтын сүзгіні ұстап тұруы керек. Қатты шу тым көп әсер еткенде есту қабілеті жоғалуы мүмкін.
- ▶ Бөгде тұлғалар жұмыс аймағынан қауіпсіз қашықтықта болуын қадағалаңыз. Жұмыс аймағындағы кез келген адам жеке қорғану құралдарын қолдануы керек. Өңдеп жатқан бөлшектердің немесе бұзылған жұмыс аспаптарының сынықтары шетке ұшуы және тіпті жұмыс аймағының шектерінен тыс жарақаттауы мүмкін.
- ▶ Пайдаланатын сайманыңыз көзден таса электр желісіне тиіп кетуі мүмкін болса, аспаптың арнайы жеке бөлінген жерінен ғана ұстаңыз. Электр сымдарына тигенде аспаптың қорғалмаған металл бөліктері кернеу астында болады. Бұл электр тогының соғуына әкелуі мүмкін.
- ▶ Желілік кабельді айналатын алмалы-салмалы аспаптардан қауіпсіз қашықтықта ұстаңыз. Аспапты басқаруды жоғалту жағдайында желілік кабель кесілуі, ал қол айналатын жұмыс аспабының аймағына тартылып кетуі мүмкін.



- ▶ **Электр құралды алмалы-салмалы аспап толық тоқтағанша алмаңыз.** Айналатын жұмыс аспабы тірек бетіне тиіп, осының салдарынан сіз электр құралды басқаруды жоғалтуыңыз мүмкін.
- ▶ **Тасымалдау кезінде электр құралдың қосылуын болдырмаңыз.** Айналатын алмалы-салмалы аспап кездейсоқ киімнің жіптерін іліп алуы және айналғанда сізді жарақаттауы мүмкін.
- ▶ **Электр құралдың желдету саңылауларын тұрақты түрде тазалаңыз.** Қозғалтқыш корпусына тартылатын металл шаңының артық концентрациясы электр тогының соғу қаупін тудыруы мүмкін.
- ▶ **Оңай тұтанатын материалдардың жанында электр құралды қолданбаңыз.** Ұшқындардың тиіуі бұл материалдарды тұтандыратуы мүмкін.
- ▶ **Пайдалану үшін салқындату сұйықтықтары қажет алмалы-салмалы аспаптарды қолданбаңыз.** Суды немесе басқа салқындату сұйықтықтарын қолдану электр тогының соғу қаупіне әкелуі мүмкін.

Қайтарым және тиісті нұсқаулар

Қайтарым айналып жатқан аспап (тегістеу дискісі, тегістеу тарелкасы, сым қылшақ және т.б.) іліну немесе бұғатталу кезінде пайда болатын күтпеген реакция болып табылады. Іліну немесе бұғатталу айналып жатқан жұмыс аспабының кенет тоқтауына әкеледі. Бұғатталу орнында жұмыс аспабының қарама-қарсы бағытта айналуына байланысты электр құралдың басқарылмайтын қозғалысы орын алады.

Өңдеп жатқан бөлшекте тегістеу дискісі ілінгенде немесе бұғатталғанда, бөлшекке салынатын тегістеу дискісінің жиегі тұрып қалуы мүмкін. Бұл дискінің сынуына әкеледі немесе қайтарымды тудырады. Бұл кезде тегістеу дискісі оператор бағытында немесе оған кері қозғалады (бұғатталу сәтінде дискінің айналу бағытына байланысты). Сонымен бірге, бұл тегістеу дискісінің құртылуына әкеп соқтыра алады. Қайтарым электр құралды дұрыс емес қате қолданудың салдары болып табылады. Төменде берілген сақтық шараларын орындаған жағдайда мұны болдырмауға болады.

- ▶ **Аспаптың қайтарымын амортизациялау алатын қалыпты қабылдап, электр құралды берік ұстаңыз.** Электр қозғалтқышы тездегенде пайда болатын қайтарымы немесе реактивті моментті максималды басқару үшін әрқашан қосымша тұтқышты (бар болса) қолданыңыз. Тиісті сақтық шараларын қолданған жағдайда оператор қайтарымды және реактивті моментті басқара алады.
- ▶ **Қол буынын айналатын алмалы-салмалы аспапқа ешқашан жақындатпаңыз.** Қайтарым кезінде жұмыс аспабы оларға ілінуі мүмкін.
- ▶ **Қайтарым кезінде электр құралдың жылжитын аймаққа түсуін болдырмаңыз.** Қайтарым электр құралды бұғатталу орнынан жұмыс аспабының айналуына қарама-қарсы бағытта жылжытады.
- ▶ **Бұрыштарды, үшкір жиектерді және т.б. өңдеу кезінде өте мұқият болыңыз.** Электр құралдардың ыршып кетуін және өңделетін бөлшектерде сыналанын болдырмаңыз. Айналатын жұмыс аспабы бұрыштарды, үшкір жиектерді өңдеу кезінде немесе ыршып кеткенде сыналануы мүмкін. Бұл аспапты басқаруды жоғалтудың немесе қайтарымның пайда болуының себебі болады.
- ▶ **Шынжырлық немесе тісті ілінісі бар төсемді қолданбаңыз.** Мұндай жұмыс аспаптарын қолдану жиі қайтарымды тудырады немесе электр құралды басқаруды жоғалтуға әкеледі.

Дискімен тегістеу және кесу кезіндегі қауіпсіздік техникасы бойынша қосымша нұсқаулар:

- ▶ **Тек пайдалануға рұқсат етілген абразивті аспаптарды және оларға сай қорғауыш қаптамаларды қолданыңыз.** Бұл электр құралға арналмаған абразивті дискілер жеткілікті дәрежеде экрандалмайды және тұрақсыз жұмыс істейді.
- ▶ **Қисық тегістеу дискілерін тегістеу аймақтары қорғауыш қаптама шетінен шықпайтын етіп орнату керек.** Қате орнатылған тегістеу дискісі қорғауыш қаптама шетінен шығып тұрса жетерлік ретте қапталмайды.
- ▶ **Қорғауыш қаптаманы электр құралға берік орнату керек және ешбір ең майда абразивті бөлшек операторға тимейтіндей ең жоғары қорғау дәрежесіне реттелуі керек.** Қорғауыш қаптама операторды сынықтардан, киімді тұтандыруы мүмкін ұшқындар сияқты тегістеу нысандарына кездейсоқ тиуден қорғауға көмектеседі.
- ▶ **Абразивті аспаптарды тек мақсатына сай қолдану керек. Мысалы: тегістеуді кесу дискісінің бүйірлік бетімен орындауға тыйым салынады.** Кесу дискілері материалды диск жиегімен алуға арналған. Дискіге бүйірінен жасалатын әсер оның бұзылуының себебіне айналуы мүмкін.
- ▶ **Тегістеу дискісін орнату үшін әрқашан зақымдалмаған, өлшемі мен пішіні дұрыс қыспа фланецті қолданыңыз.** Пішіні мен өлшемі жарайтын фланецтер тегістеу дискісін бекітеді және оның сыну қаупінің дәрежесін азайтады. Кесу дискілерінің қыспа фланецтері басқа тегістеу дискілерінің қыспа фланецтерінен ерекшеленуі мүмкін.
- ▶ **Өлшемі үлкенірек электр құралдардың тозған тегістеу дискілерін қолданбаңыз.** Өлшемі үлкенірек электр құралдар үшін жасалған тегістеу дискілері шағын өлшемді электр құралдардың жоғары айналу жылігіне арналмаған және осы себепті бұзылуы мүмкін.



Дискімен кесу кезіндегі қауіпсіздік техникасы бойынша қосымша нұсқаулар:

- ▶ **Кесу дискісінің бұғатталуын немесе тым қатты басу қысымын болдырмаңыз. Тым қатты кесулерді орындамаңыз.** Кесу дискісіне шамадан тыс жүктеме түсуі оның тозуын және қисаю немесе бұғатталу мүмкіндігін, сонымен бірге қайтарымның пайда болу немесе оның бұзылу мүмкіндігін арттырады.
- ▶ **Айналып жатқан кесу дискісінің аймағында және оның артында тұрмаңыз.** Өңдеп жатқан бөлшектегі кесу дискісі өзіңізден ары бағытта ауытқығанда электр құрал қайтарым пайда болғанда тура сізге ыршып түсуі мүмкін.
- ▶ **Кесу дискісі сыналған немесе жұмысты тоқтатқан жағдайда аспапты өшіріңіз және диск толық тоқтағанын күтіңіз. Әлі айналып жатқан дискіні кесу жерінен шығарып алуға ешқашан әрекет жасамаңыз – қайтарым болуы мүмкін.** Сыналану себебін анықтаңыз және кетіріңіз.
- ▶ **Әлі өңдеп жатқан бөлшекте болса, аспапты қайтадан қоспаңыз. Жұмысты жалғастыру алдында аспап жұмыс айналу жиілігіне дейін тездегенше күтіңіз.** Әйтпесе диск сыналануы, өңдеп жатқан бөлшектен ыршып кетуі немесе қайтарымның пайда болуы мүмкін.
- ▶ **Кесу дискісі сыналған жағдайда қауіп дәрежесін азайту үшін үлкен өлшемді тақталарды немесе бөлшектерді тіреңіз.** Үлкен өңделетін бөлшектер өз салмағының шеңберінен иілуі мүмкін. Өңделетін бөлшекті екі жағынан кесуді орындау орнының жанында, сондай-ақ, бөлшек жиегінің бойында тіреу керек.
- ▶ **Жасырын салада, мысалы, дайын қабырғада, «батырып» кесуді орындағанда әсіресе сақ болыңыз.** Газ және су құбырларын, электр сымдарын немесе басқа заттарды кесу кезінде кесу дискісін салғанда, қайтарым пайда болуы мүмкін.

Зімпара дискілерімен тегістеу кезіндегі қауіпсіздік техникасы туралы арнайы нұсқаулар:

- ▶ **Өлшемді қажеттіден үлкенірек тегістеу дискілерін қолданбаңыз, тегістеу дискілерінің өлшеміне қатысты нұсқауларды орындаңыз.** Тегістеу тостағанының шеңберінен шығатын тегістеу дискілері тегістеу дискісінің бұғатталуы, айрылуы немесе кері соққы сияқты бүлінулерді тудыруы мүмкін.

Сым қылшақтармен жұмыс кезіндегі қауіпсіздік техникасы бойынша арнайы нұсқаулар:

- ▶ **Сым қылшақтар сым бөліктерін кәдімгі қолдану кезінде де жоғалтатынын ескеріңіз. Оларға тым қатты басу қысымын қолданбаңыз.** Ұшып кететін сым бөліктері киімнің жұқа матасы арқылы оңай өтуі және/немесе теріге енуі мүмкін.
- ▶ **Қорғауыш қаптаманы қолданғанда оның сым қылшаққа тиюіне жол бермеңіз.** Тарелка және шыныаққ тәрізді қылшақтар басу және ортасынан тепкіш күш әсерінен диаметрін үлкейтеуі мүмкін.

2.1.3 Қауіпсіздік техникасы бойынша қосымша ережелер

Адамдардың қауіпсіздігі

- ▶ Өнімді тек техникалық мінсіз күйінде қолданыңыз.
- ▶ Аспапты бейімдеуге немесе өзгертуге тыйым салынады.
- ▶ Аспаптың айналатын бөлшектеріне тиемеңіз - жарақат алу қаупі бар!
- ▶ Құралды алмастырған кезде қорғаныс қолғаптарын да киіңіз. Алмалы-салмалы аспапқа тию кесіктерге және күйіктерге апарып соғуы мүмкін.
- ▶ Жұмысты бастау алдында дайындама материалы бойынша пайда болатын шаңның қауіп класын анықтаңыз. Аспаппен жұмыс істеу үшін қорғаныс дәрежесі қолданыстағы шаңнан қорғау нормаларына сай құрылыс шаңсорғышын қолданыңыз. Құрамында қорғасын бар бояулар, ағаштың кейбір түрлері, бетон/кірпіш қалауы/кварц қамтитын жыныстар және минералдар мен металл сияқты материалдардан пайда болатын шаң денсаулық үшін зиянды болуы мүмкін.
- ▶ Жұмыс орнындағы ауа алмасуды жақсарту үшін әрекет етіңіз және қажетінше тиісті шаңға арналған респираторды тағыңыз. Мұндай шаңның бөлшектерімен дем алу немесе оған тию пайдаланушыларда немесе жанындағы адамдарда аллергиялық реакциялардың және/немесе дем алу жолдары ауруларының пайда болуына әкелуі мүмкін. Кейбір шаң түрлері (мысалы, еменді немесе шамшатты өңдеу кезінде пайда болатын шаң) канцерогенді деп есептеледі, әсіресе ағашты өңдеу үшін қолданылатын қосымша материалдармен (хром қышқылының тұзы, ағашты қорғау заттары) тіркесімде. Құрамында асбест бар материалдарды тек мамандар өңдеуі керек.
- ▶ Саусақтарыңыздың қандандыруын жақсарту үшін үзіліс жасап, жаттығулар жасаңыз. Ұзақ уақыт жұмыс істеген кезде, дірілдердің салдарынан саусақ, қол не буындардың қантамыры не жүйкесіне кері әсер тиюі мүмкін.

Электр қауіпсіздігі

- ▶ Жұмысты бастамас бұрын, жұмыс аймағындағы электрлік сымдар, газ бен су құбырлары жабық екендігіне көз жеткізіңіз. Ток сымна байқамастан зақым келтірген жағдайда, аспаптағы сыртта орналасқан металл бөлшектер ток соғу қаупін тудыруы мүмкін.



Электр құралдарымен дұрыс жұмыс істеу және дұрыс пайдалану

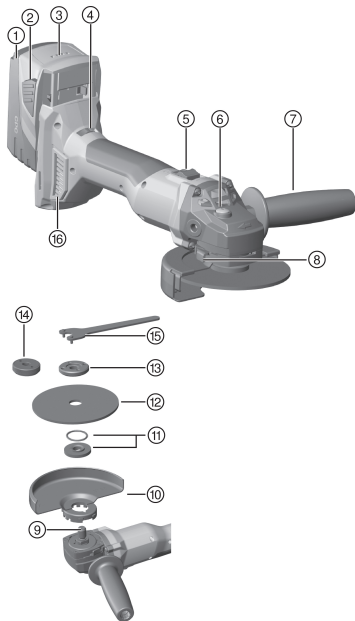
- ▶ Кесу дискілерін сиырып тегістеуге қолдануға мүлде тыйым салынады.
- ▶ Алмалы-салмалы аспап пен фланецті берік бекемдеңіз. Егер алмалы-салмалы аспап немесе фланец жеткіліксіз берік бекітілген болса, өшіргеннен кейін алмалы-салмалы аспаптың төжеу кезінде шпиндельден шығып кету ықтималдығы болады.
- ▶ Тегістеу дискілерін қолдану және оларға қызмет көрсету бойынша өндірушінің нұсқауларын орындаңыз.

2.1.4 Аккумулятормен дұрыс жұмыс істеу және оны дұрыс пайдалану

- ▶ Li-Ion аккумуляторын тасымалдау, сақтау және пайдалану бойынша арнайы нұсқаулардың талаптарын орындаңыз.
- ▶ Аккумуляторларды жоғары температуралар, тікелей күн сәулесі мен өрттен алшақ ұстаңыз.
- ▶ Аккумуляторларды бөлшектеуге, қысуға, 80°C-тан жоғары температураға дейін қыздыруға және жағуға тыйым салынады.
- ▶ Соққы тиген, бір метрден жоғары биіктіктен құлаған немесе басқа жолмен зақымдалған аккумуляторларды пайдалануға немесе зарядтауға болмайды. Мұндай жағдайда әрдайым **Hilti сервистік қызметіңізге** хабарласыңыз.
- ▶ Егер тиген кезде аккумулятор тым ыстық болса, ол ақаулы болуы мүмкін. Аспапты тұтану қаупі жоқ орынға, тұтанғыш материалдардан алыс, оны бақылауға болатындай қойыңыз және суытып қойыңыз. Мұндай жағдайда әрдайым **Hilti сервистік қызметіңізге** хабарласыңыз.

3 Сипаттама

3.1 Өнімге шолу



- 1 Аккумулятор
- 2 Аккумуляторды босату түймесі
- 3 Зарядтау күйінің индикаторы
- 4 Жылдамдық реттегіші
- 5 Қосқыш/ажыратқыш
- 6 Шпиндель бекіткішінің түймесі
- 7 Бүйірлік тұтқыш
- 8 Қаптаманы бекіту түймесі
- 9 Шпиндель
- 10 Стандартты қоғауыш қаптама
- 11 Дөңгелек қималы сақинасы бар қыспа фланец
- 12 Кесіп ажарлау дискісі/дөрекі ажарлау дискісі
- 13 Қыспа гайка
- 14 **Kwik lock** жылдам қыспа гайкасы (қосымша)
- 15 Кілт
- 16 Шаң сүзгісі

3.2 Мақсатына сай қолдану

Сипатталған өнім қолмен басқарылатын аккумуляторлық бұрыштық ажарлау машинасы болып табылады. Ол металл мен минералды материалдарды дөрекі кесу және сиыра ажарлау, қылшақпен тазарту, егеуқұм қағазымен ажарлау және керамикалық плиткаларды бұрғылау жұмыстарын су пайдаланбай орындауға арналған. Оны тек құрғақ ажарлау/кесу үшін қолдануға болады.



- Минералды материалдарды абразивті кесу, тесу және алғаш ажарлау жұмыстары тек тиісті қорғауыш қаптаманы (қосымша жабдық) пайдалану арқылы рұқсат етіледі.
- Бетон немесе тас сияқты минералды беттерді өңдеген кезде арнайы **Hilti** шаңсорғышында бейімделген шаңды кетіретін қаптаманы пайдалану қажет.
- ▶ Бұл өнім үшін тек В 22 сериялы **Hilti** Li-Ion аккумуляторларын ғана пайдаланыңыз.
- ▶ Бұл аккумуляторлар үшін тек С4/36 сериялы **Hilti** зарядтағыш құрылғысын пайдаланыңыз.

3.3 Жеткізілім жинағы

Бұрыштық ажарлау машинасы, бүйірлік тұтқыш, стандартты қорғауыш қаптама, алдыңғы қақпақ, қыспа фланец, қыспа гайка, қыспа гайка кілті, шаң сүзгісі, пайдалану бойынша нұсқаулық.

Оған қоса өніміңіз үшін рұқсат етілген жүйелік өнімді **Hilti Store** дүкенінде немесе келесі веб-сайтта табуға болады: www.hilti.group.

3.4 АТС

Аспап электрондық апаттық тоқтату құралымен АТС (Active Torque Control) жабдықталған.

Егер алмалы-салмалы аспап бұғатталса не қысылып қалса, аспап кенеттен кері бағытпен бақылаусыз айнала бастайды. АТС аспаптың мұндай кенет айналу қозғалысын анықтап, аспапты бірден тоқтатады.

- Аспап қалыпты жұмыс істеуі үшін айналу мүмкіндігін сақтауы тиіс. Жылдам өшіру орындалған соң аспапты өшіріп қайта қосыңыз.

3.5 Аспаптың термоқорғанысы

Қозғалтқыштың термоқорғаныс жүйесі электр энергиясының тұтынуын және қозғалтқыштың қызуын басқарады және аспапты қызып кетуден қорғайды.

Басу қысымының салдарынан қозғалтқышқа шамадан тыс жүктеме түскенде, қуат айтарлықтай төмендейді, осының нәтижесінде аспап тоқтап қалуы мүмкін.

Шамадан тыс жүктемеден аспап тұрып қалған не айналу жылдамдығы азайған жағдайда аспапқа түсетін жүктемені азайту керек және оған шамамен 30 секунд бос жүрісте жұмыс істеуге мүмкіндік беру керек.

3.6 Алдыңғы қақпақтың қорғауыш қаптамасы 2

Металды материалдарды дерекі ажарлау дискілерімен дерекі ажарлау кезінде және кесу дискілерімен кесу кезінде алғы қаптамасы бар стандартты қорғауыш қаптаманы пайдаланыңыз.

3.7 Шаңды кетіруге арналған қаптама (кесу) DC-EX 125/5" С ықшам қалпағы (керек-жарақ) 3

Минералды беттерді алмасты кескіш дискілермен абразивті кесу үшін DC-EX 125/5" С ықшам қалпағын пайдалану керек.

Бұл қаптаманы қолданып металды өңдеуге тыйым салынған.

3.8 Шаңды кетіруге арналған қаптама (штробтар жүргізу) DC-EX 125/5"М (керек-жарақ) 4

Минералды беттерде алмасты кескіш дискілермен дерекі ажарлау және кесу жұмыстарын тек шаңды кетіруге арналған қаптамамен бірге орындауға рұқсат етіледі.

САҚ БОЛЫҢЫЗ Бұл қаптаманы қолданып металды өңдеуге тыйым салынған.

3.9 Шаңды кетіруге арналған қаптама (ажарлау) DG-EX 125/5" (керек-жарақ) 5

Кесу жүйесі алмас тостағанды ажарлау дискілерінің көмегімен минералдық материалдарды ажарлауға ғана арналған.

Бұл қаптаманы қолданып металды өңдеуге тыйым салынған.

3.10 Li-Ion аккумуляторының заряд күйінің көрсеткіші

Li-Ion аккумуляторының заряд күйінің көрсеткіші екі аккумуляторды босату түймесін басу арқылы көрсетіледі.

Құралдың бөлшектері	Сипаттамасы
4 жарық диоды жанады.	Зарядтау күйі: 75 % - 100 %



Құралдың бөлшектері	Сипаттамасы
3 жарық диоды жанады.	Зарядтау күйі: 50 % - 75 %
2 жарық диоды жанады.	Зарядтау күйі: 25 % - 50 %
1 жарық диоды жанады.	Зарядтау күйі: 10 % - 25 %
1 жарық диоды жыпылықтайды.	Зарядтау күйі: < 10 %

i Жұмыс уақытында және бірден жұмысты аяқтағаннан кейін зарядталу деңгейі туралы сұрау мүмкін емес. Аккумулятордың зарядталу деңгейі жарық диодтары жыпылықтаған жағдайда «Ақаулықтардағы көмек» бөліміндегі нұсқауларға назар аударыңыз.

4 Пайдаланылатын материал

Кем дегенде 11000 айн/мин айналу жиілігі және 80 м/сек. айналу жылдамдығы үшін рұқсат етілген, макс. Ø 125 мм жасанды шайырмен жалғанған, фибринмен нығайтылған дискілер ғана қолданылуы тиіс. Дерекі ажарлау дискілерінің қалыңдығы макс. 6,4 мм және кесіп ажарлау дискілерінің қалыңдығы макс. 3,0 мм болуы тиіс.

НАЗАР АУДАРЫҢЫЗ! Кесу дискілерімен кесу және штробтар жүргізу кезінде, әрдайым қосымша алдыңғы қақпағы бар стандартты қорғауыш қаптаманы немесе толығымен жабылған шаңды кетіруге арналған қаптаманы қолданыңыз.

Дискілер

Түрі	Пайдалану саласы	Қысқаша белгіленуі	Негіз
Дерекі кесіп ажарлау дискісі	Кесу, штробтар жүргізу	AC-D	металды
Алмасты кесіп ажарлау дискісі	Кесу, штробтар жүргізу	DC-TP, DC-D (SPX, SP, P)	минералды
Абразивті дерекі ажарлау дискісі	Сиыра/аршыта ажарлау	AG-D, AF-D, AN-D	металды
Алмасты дерекі ажарлау дискісі	Сиыра/аршыта ажарлау	DG-CW (SPX, SP, P)	минералды
Сым қылшақ	Сым қылшақтары	3CS, 4CS, 3SS, 4SS	металды
Алмасты бұрғылау коронкасы	Керамикалық плиткаларды бұрғылау	DD-M14	минералды
Фибра шайбасы	Сиыра/аршыта ажарлау	AP-D	металды

Қолданылған жабдық үшін дискілердің тағайындалуы

Нөмір	Жабдық	AC-D	AG-D, AF-D, AN-D	DG-CW (SPX, SP, P)	DC-TP, DC-D (SPX, SP, P)	AP-D	3CS, 4CS, 3SS, 4SS, DD-M14
A	Қорғауыш қаптама	X	X	X	X	X	X
B	Алдыңғы қаптама (А-мен байланыста)	X	—	—	X	—	—
C	Шаңды кетіруге арналған қаптама (ажарлау) DG-EX 125/5"	—	—	X	—	—	—
D	Шаңды кетіруге арналған қаптама (кесу) DC-EX 125/5"C (А-мен байланыста)	—	—	—	X	—	—



Нөмір	Жабдық	AC-D	AG-D, AF-D, AN-D	DG-CW (SPX, SP, P)	DC-TP, DC-D (SPX, SP, P)	AP-D	3CS, 4CS, 3SS, 4SS, DD-M14
E	Шаңды кетіруге арналған қаптама (штробтар жүргізу) DC-EX 125/5"М	—	—	—	X	—	—
F	DC-EX SL адаптері (E-мен байланыста)	—	—	—	X	—	—
G	Бүйірлік тұтқыш	X	X	X	X	X	X
H	Қыспа гайка	X	X	X	X	—	—
I	Қыспа фланец	X	X	X	X	—	—
J	Kwik lock (H үшін қосымша)	X	X	—	X	—	—
K	Фибра шайбасына арналған қыспа гайка	—	—	—	—	X	—
L	Тіреуіш диск	—	—	—	—	X	—

5 Техникалық сипаттамалар

AG 4S-A22-125	
Номиналды кернеу	21,6 В
Номиналды айналу жиілігі	8500 А/мин
Максималды диск диаметрі	125 мм
ЕРТА 01 процедурасы бойынша салмағы	3,1 кг
Шпindelьдің ирек оймасы	M14
Шпindelьдің ұзындығы	22 мм
Жұмыс кезіндегі қоршаған орта температурасы	-17 °C ... 60 °C
Сақтау температурасы	-20 °C ... 70 °C

5.1 Техникалық сипаттамалар

Шпindelьдің ұзындығы	22 мм
Жұмыс кезіндегі қоршаған орта температурасы	-17 °C ... 60 °C
Сақтау температурасы	-20 °C ... 70 °C

5.2 Аккумулятор

Аккумулятордың жұмыс кернеуі	21,6 В
Жұмыс кезіндегі қоршаған орта температурасы	-17 °C ... 60 °C
Сақтау температурасы	-20 °C ... 40 °C
Зарядаудың басындағы аккумулятор температурасы	-10 °C ... 45 °C

5.3 EN 60745 стандарты бойынша шуыл туралы ақпарат және діріл мәні

Осы нұсқауларда көрсетілген дыбыс қысымы мен діріл деңгейі стандартты өлшеу әдісімен өлшенген және оны басқа электр құралдарымен салыстыру үшін пайдалануға болады. Сонымен бірге, ол экспозицияны алдын ала бағалау үшін жарайды.

Берілген деректер электр құралының негізгі жұмысын көрсетеді. Алайда, егер электр құралы басқа мақсаттарда, басқа жұмыс аспаптарымен қолданылса немесе оған қанағаттандырмайтын техникалық қызмет көрсетілсе, деректер өзгеше болуы мүмкін. Осының салдарынан аспаптың бүкіл жұмыс істеу кезеңінде экспозиция айтарлықтай артуы мүмкін.



Экспозицияны дәл анықтау үшін аспап сәндірілген күйде немесе бос жұмыс істейтін уақыт аралықтарын да ескеру керек. Осының салдарынан аспаптың бүкіл жұмыс істеу кезеңінде экспозиция айтарлықтай азаюы мүмкін.

Пайдаланушыны пайда болатын шуылдан және/немесе дірілден қорғау үшін қосымша сақтық шараларын қолданыңыз, мысалы: электр аспабына және жұмыс аспаптарына техникалық қызмет көрсету, қолдардың жылуын сақтау, жұмыс процестерін дұрыс ұйымдастыру.

AG 4S-A22-125

Шуыл туралы ақпарат

Эмиссиялық дыбыс қысымының деңгейі (L_{pA})	81,5 дБ(A)
Дәлсіздік, дыбыс қысымының деңгейі (K_{pA})	3 дБ(A)
Дыбыс күшінің деңгейі (L_{WA})	92,5 дБ(A)
Дыбыс күшінің деңгейі бойынша дәлсіздік (K_{WA})	3 дБ(A)

Діріл туралы ақпарат

Кесуден басқа қолданыстар өзге діріл мәндеріне алып келуі мүмкін.

Бетті діріл оқшаулағыш тұтқышпен ажарлау ($a_{n,AG}$)	4,7 м/с ²
Бетті діріл оқшаулағыш егеуқұм қағазымен ажарлау ($a_{n,DS}$)	5,3 м/с ²
Дәлсіздік (K)	1,5 м/с ²

6 Жұмысқа дайындық

6.1 Аккумуляторды зарядтау

1. Зарядтау алдында зарядтағыш құрылғының пайдалану бойынша нұсқаулығын оқып шығыңыз.
2. Аккумулятордағы және зарядтағыш құрылғыдағы контактілердің таза әрі құрғақ екендігіне көз жеткізіңіз.
3. Аккумуляторды рұқсат етілген зарядтағыш құрылғы ішінде зарядтаңыз.

6.2 Аккумуляторды орнату

АБАЙПАҢЫЗ

Жарақат алу қаупі қысқа тұйықталудан немесе аккумулятордың құлауынан!

- ▶ Аккумуляторды орнату алдында аккумулятор контактілерінде және өнімдегі контактілерде бөгде заттардың жоқтығына көз жеткізіңіз.
 - ▶ Аккумулятордың әркез дұрыс орнатылғанына көз жеткізіңіз.
1. Аккумуляторды алғаш рет іске қоспас бұрын зарядтаңыз.
 2. Аккумуляторды аспап ұстағышына шерту дыбысы шыққанша мұқият салыңыз.
 3. Аккумулятордың аспапқа берік бекітілгенін тексеріңіз.

6.3 Аккумуляторды шығару

1. Аккумулятордағы құлыптан босату түймелерін басыңыз.
2. Аккумуляторды аспап ұстағышынан шығарып алыңыз.

6.4 Бүйірлік тұтқышты орнату

- ▶ Бүйірлік тұтқышты алдын ала белгіленген бұрандалы төлкеге бұрап бекітіңіз.

6.5 Қорғауыш қаптаманы орнату немесе бөлшектеу

АБАЙПАҢЫЗ

Жарақат алу қаупі. Алмалы-салмалы аспап ыстық не өткір болуы мүмкін.

- ▶ Орнату, бөлшектеу, реттеу жұмыстары мен ақаулықтарды жою кезінде қорғаныс қолғаптарын киіңіз.
- ▶ Сәйкес қорғауыш қаптаманың орнату бойынша нұсқаулығын оқып шығыңыз.



6.5.1 Стандартты қорғауыш қаптаманы орнату 5



Қорғауыш қаптаманың тек аспапқа келетін қаптаманы орнатуға мүмкіндік беретін арнайы шығыңқы жерлері бар. Қорғауыш қаптаманың шығыңқы жерлері аспап шпинделінің мойнында орналасқан ойықтарда бекітіледі.

1. Қорғауыш қаптаманы шпиндель мойнына аспаптағы және қорғауыш қаптамадағы үшбұрыштардың екі суреті де бір-біріне қарама-қарсы орналасатындай кигізіңіз.
2. Қорғауыш қаптаманы шпиндель мойнына басыңыз.
3. Қаптаманы босату түймесін басып, қорғауыш қаптаманы орнына тұрғанша қалаулы позицияға дейін айналдырыңыз.
 - Қаптаманы босату түймесі артқа қайтып оралады.

6.5.2 Стандартты қорғауыш қаптаманың орнын ауыстыру

- ▶ Қаптаманы босату түймесін басып, қорғауыш қаптаманы орнына тұрғанша қалаулы позицияға дейін айналдырыңыз.

6.5.3 Стандартты қорғауыш қаптаманы бөлшектеу

1. Қаптама бекіткіш түймесін басыңыз және қорғауыш қаптаманы аспаптағы және қорғауыш қаптамадағы үшбұрыш түріндегі екі белгі де бір-біріне қарама-қарсы орналасқанша бұраңыз.
2. Қорғауыш қаптаманы алып тастаңыз.

6.6 Алдыңғы қақпақты орнату немесе бөлшектеу 7



Алдыңғы қақпақпен өңделген кезде, қорғауыш қаптама салынады.

1. Алдыңғы қақпақты жабық жағымен стандартты қорғауыш қаптама ішіне тірелгенше салыңыз.
2. Бөлшектеу үшін алдыңғы қақпақтың құлпын ашыңыз және оны стандартты қорғауыш қаптамадан алып тастаңыз.

6.7 Алмалы-салмалы аспапты орнату немесе бөлшектеу

ЕСКЕРТУ

Жарақат алу қаупі. Аспап қозғалтқышы тоқтап қалғанда алмалы-салмалы аспап ажыратылып қалуы мүмкін.

- ▶ Алмалы-салмалы аспапты не қыспа гайканы бекітпес бұрын алмалы-салмалы аспап толығымен тоқтағанша күтіңіз.
- ▶ Алмалы-салмалы аспап пен қыспа фланецтің бөліктері аспап моторы тоқтап қалған кезде шпиндельден ажыратылмайтындай етіп оларды қыспа гайкамен бұрап бекітіңіз.

АБАЙЛАҢЫЗ

Жарақат алу қаупі. Алмалы-салмалы аспап қызып кетуі мүмкін.

- ▶ Алмалы-салмалы аспапты ауыстырған кезде қорғауыш қаптаманы тіреңіз.



Кесу мен ажарлау сапасы төмендесе, алмасты дискілерді алмастыру керек. Өзге жағдайларда алмас сегменті биіктігінің 2 мм-ден аз болуы ауыстыруға себеп болады.

Басқа диск түрлерін кесу сапасы төмендеген кезде немесе бұрыштық ажарлағыш бөліктері (дискінен басқа) жұмыс кезінде жұмыс материалына тиген жағдайда алмастыру керек.

Абразивті дискілерді тозу мерзімі өткеннен соң алмастыру қажет болады.

6.7.1 Алмалы-салмалы аспапты орнату 8

1. Аккумуляторды аспаптан шығарыңыз. → Бет 179
2. Қыспа фланецтегі дөңгелек қималы сақинаның бар екендігін және зақымдалмағанын тексеріңіз.

Нәтиже

Дөңгелек қималы сақина зақымдалған.

Қыспа фланецте дөңгелек қималы сақина жоқ.

- ▶ Жаңа қыспа фланецті дөңгелек қималы сақинамен орнатыңыз.



3. Қыспа фланецті шпиндельге берік, айналмайтындай етіп орнатыңыз.
4. Алмалы-салмалы аспапты орнатыңыз.
5. Қыспа гайканы орнатылған алмалы-салмалы аспапқа сай бұрап бекітіңіз.
6. Шпиндельді бұғаттау түймесін басып тұрыңыз.
7. Қыспа кілттің көмегімен қыспа гайканы бекемдеңіз, шпиндельді бұғаттау түймесін жіберіңіз және қыспа кілтті алып тастаңыз.

6.7.2 Алмалы-салмалы аспапты бөлшектеу

1. Аккумуляторды аспаптан шығарыңыз. → Бет 179

АБАЙЛАҢЫЗ

Сыну және бұзылу қаупі бар. Шпиндель айналып тұрғанда шпиндельді бұғаттау түймесі басылып тұрса, алмалы-салмалы аспап босап қалуы мүмкін.

- ▶ Шпиндельді бұғаттау түймесін тек шпиндель өшірулі күйінде болғанда басыңыз.
2. Шпиндельді бұғаттау түймесін басып тұрыңыз.
 3. Қыспа кілтті орналастырып және сағат бағытына қарсы айналдырып, қыспа гайканы босатыңыз.
 4. Шпиндельді бұғаттау түймесін жіберіп, алмалы-салмалы аспапты алып тастаңыз.

6.7.3 **Kwik lock** жылдам қыспа гайкасы бар алмалы-салмалы аспапты орнату

АБАЙЛАҢЫЗ

Бұзылу қаупі. Тым қатты тозудан **Kwik lock** жылдам қыспа гайкасы бұзылуы мүмкін.

- ▶ Жұмыс барысында **Kwik lock** жылдам қыспа гайкасының бетке тимейтінін қадағалаңыз.
- ▶ Зақымдалған **Kwik lock** жылдам қыспа гайкасын қолдануға болмайды.



Қыспа гайканың орнына **Kwik lock** жылдам қыспа гайкасын пайдалануға болады. Осы жолмен алмалы-салмалы аспапты қосымша құралдарды қолданбай ауыстыруға болады.

1. Аккумуляторды аспаптан шығарыңыз. → Бет 179
2. Қыспа фланецтегі дөңгелек қималы сақинаның бар екендігін және зақымдалмағанын тексеріңіз.

Нәтиже

Дөңгелек қималы сақина зақымдалған.

Қыспа фланецте дөңгелек қималы сақина жоқ.

- ▶ Жаңа қыспа фланецті дөңгелек қималы сақинамен орнатыңыз.
3. Фланецті және жылдам қыспа гайканы тазалаңыз.
 4. Қыспа фланецті шпиндельге енгізіңіз.
 5. Алмалы-салмалы аспапты орнатыңыз.
 6. **Kwik lock** жылдам қыспа гайкасын алмалы-салмалы аспапқа орнатылғанша бұраңыз.
 - ↳ **Kwik lock** белгісі бұрап бекітілген күйде көрінеді.
 7. Шпиндельді бұғаттау түймесін басып тұрыңыз.
 8. Алмалы-салмалы аспапты **Kwik lock** жылдам қыспа гайкасы тірелгенше сағат тілі бойынша қолмен бұраңыз да, содан кейін шпиндельді бұғаттау түймесін жіберіңіз.

6.7.4 **Kwik lock** жылдам қыспа гайкасымен алмалы-салмалы аспапты бөлшектеу

1. Аккумуляторды аспаптан шығарыңыз. → Бет 179

АБАЙЛАҢЫЗ

Сыну және бұзылу қаупі бар. Шпиндель айналып тұрғанда шпиндельді бұғаттау түймесі басылып тұрса, алмалы-салмалы аспап босап қалуы мүмкін.

- ▶ Шпиндельді бұғаттау түймесін тек шпиндель өшірулі күйінде болғанда басыңыз.
2. Шпиндельді бұғаттау түймесін басып тұрыңыз.
 3. **Kwik lock** жылдам қыспа гайкасын сағат бағытына қарсы қолмен бұрай отырып босатыңыз.
 4. **Kwik lock** жылдам қыспа гайкасы қолмен босатылмаса, жылдам қыспа гайкаға қыспа кілт орнатып, оны сағат бағытына қарсы бұраңыз.



Құбыр кілтін ешқашан қолданбаңыз, осылайша **Kwik lock** жылдам қыспа гайкасына зақым келтірмейсіз.



5. Шпindelьдi бұғаттау түймесiн жiберiп, алмалы-салмалы аспапты алып тастаңыз.

6.7.5 Бұрғылау коронкасын орнату 10

1. Аккумуляторды аспаптан шығарыңыз. → Бет 179
2. Бүйiрлiк тұтқышты орнатыңыз. → Бет 179
3. Стандартты қорғауыш қаптаманы орнатыңыз.
4. Бұрғылау коронкасын орнатып, берiк бұрап бекiтiңiз.
5. Шпindelьдi бұғаттау түймесiн басып тұрыңыз.
6. Арнайы кiлттiң көмегiмен бұрғылау коронкасын берiк бұраңыз.
7. Содан кейiн шпindelьдi бұғаттау түймесiн босатып, гайка кiлтiн алып тастаңыз.

6.7.6 Сымды қылшақты орнату 11

1. Аккумуляторды аспаптан шығарыңыз. → Бет 179
2. Бүйiрлiк тұтқышты орнатыңыз. → Бет 179
3. Стандартты қорғауыш қаптаманы орнатыңыз.
4. Сымды қылшақты орнатып, берiк бұрап бекiтiңiз.
5. Шпindelьдi бұғаттау түймесiн басып тұрыңыз.
6. Арнайы кiлттiң көмегiмен сымды қылшақты берiк бұраңыз.
7. Содан кейiн шпindelьдi бұғаттау түймесiн босатып, гайка кiлтiн алып тастаңыз.

6.7.7 Фибра шайбасын орнату 12

1. Аккумуляторды аспаптан шығарыңыз. → Бет 179
2. Бүйiрлiк тұтқышты орнатыңыз. → Бет 179
3. Стандартты қорғауыш қаптаманы орнатыңыз.
4. Тiреуiш дискiнi және фибра шайбасын орнатып, қыспа гайканы бұрап бекiтiңiз.
5. Шпindelьдi бұғаттау түймесiн басып тұрыңыз.
6. Қыспа гайка кiлтiнiң көмегiмен қыспа гайканы тартыңыз.
7. Содан кейiн шпindelьдi бұғаттау түймесiн босатып, қыспа гайка кiлтiн алып тастаңыз.

7 Қызмет көрсету

7.1 Қосу

1. Қосқыш/ажыратқыштың артқы бөлiгiн басыңыз.
2. Қосқыш/ажыратқышты алға жылжытыңыз.
 - Қозғалтқыш жұмыс iстеп тұр.
3. Қосқыш/ажыратқышты бекiтiңiз.

7.2 Ажарлау

АБАЙПАҢЫЗ

Жарақат алу қаупi. Алмалы-салмалы аспап кенет бұғатталуы не iлiнiп қалуы мүмкiн.

- ▶ Аспапты мiндеттi түрде тұтқасымен пайдаланыңыз және аспапты екi қолмен берiк ұстаңыз.

7.3 Кесiп ажарлау

- ▶ Дерекi кесу кезiнде орташа берiлiспен жұмыс iстеңiз және аспапты немесе дерекi кесу дискiсiн еңкейтпеңiз (жұмыс күйi шамамен 90° кесу деңгөйiн құрайды).



Профильдер және төрт бұрышты қимасы бар шағын құбырлар кесiп ажарлау дискiсi ең кiшi көлденең қимаға өткенде жақсырақ кесiледi.

7.4 Дерекi ажарлау

АБАЙПАҢЫЗ

Жарақат алу қаупi. Кескiш шайба жарылуы немесе сынып қалған бөлiктерi жарақаттануға апарып соғуы мүмкiн.

- ▶ Кесу деңгелектерiн сиырып тегiстеуге қолдануға мүлде тыйым салынады.



- ▶ Аспапты 5° - 30° орнату бұрышымен және бірқалыпты қысыммен жан-жаққа жылжытыңыз.
 - ↳ Өңделетін зат қызбайды, боялмайды және онда іздер қалмайды.

7.5 Өшіру

- ▶ Қосқыш/ажыратқыштың артқы бөлігін басыңыз.
 - ↳ Қосқыш/ажыратқыш өшірулі күйіне орнатылып, қозғалтқыш тоқтатылады.

8 Күту және техникалық қызмет көрсету

ЕСКЕРТУ

Аккумулятор енгізілген кезде жарақат алу қаупі бар !

- ▶ Күтім және техникалық қызмет көрсету бойынша кез келген жұмыстарды орындамас бұрын әрдайым аккумуляторды шығарыңыз!

Аспапқа қызмет көрсету

- Қатты жабысқан кірді мұқият кетіріңіз.
- Шаң сүзгісін шығарып алып, оны және желдету саңылауларын құрғақ қылшақпен мұқият тазалап шығыңыз.
- Корпусты тек сәл суланған шүберекпен тазалаңыз. Ешқандай силикон қамтитын күтім құралдарын пайдаланбаңыз, өйткені олар пластмасса бөлшектерін зақымдауы мүмкін.

Литий-иондық аккумуляторға қызмет көрсету

- Аккумуляторды май мен майлағыштан таза күйінде ұстаңыз.
- Корпусты тек сәл суланған шүберекпен тазалаңыз. Ешқандай силикон қамтитын күтім құралдарын пайдаланбаңыз, өйткені олар пластмасса бөлшектерін зақымдауы мүмкін.
- Ылғалдың кіруін болдырмаңыз.

Техникалық қызмет көрсету

- Барлық көзге көрінетін бөлшектерде зақымдардың бар-жоғын және басқару элементтерінің ақаусыз жұмысын жиі тексеріп тұрыңыз.
- Өнім зақымдалған және/немесе ақаулы болған жағдайда оны пайдаланушы болмаңыз. Бірден **Hilti** қызмет көрсету орталығына жөндетіңіз.
- Күтім және техникалық қызмет көрсету жұмыстарынан кейін барлық қорғауыш құрылғыларды орнатып, жұмысын тексеріңіз.



Қауіпсіз қолдану үшін тек түпнұсқа қосалқы бөлшектер мен жұмсалатын материалдарды қолданыңыз. Біз рұқсат еткен қосалқы бөлшектер, шығын материалдары мен өнімге арналған керек-жарақтар **Hilti Store** дүкенінде немесе келесі веб-сайтта қолжетімді: www.hilti.group.

9 Аккумуляторлық аспаптарды тасымалдау және сақтау

Тасымалдау

АБАЙЛАҢЫЗ

Тасымалдау кезіндегі кенет іске қосылу !

- ▶ Өніміңізді әрдайым аккумуляторын шығарып алып тасымалдаңыз!
- ▶ Аккумуляторларды шығарыңыз.
- ▶ Аккумуляторларды ешқашан үймеде тасымалдамаңыз.
- ▶ Аспапты немесе аккумуляторларды ұзақ уақыт тасымалдаған соң, оларды пайдалану алдында зақымдарының бар-жоғын тексеріңіз.

Сақтау

АБАЙЛАҢЫЗ

Бүлінген немесе заряды таусылған аккумуляторлардан күтілмеген зақымдалу !

- ▶ Өніміңізді әрдайым аккумуляторын шығарып алып сақтаңыз!
- ▶ Аспап пен аккумуляторларды мүмкіндігінше салқын және құрғақ күйінде сақтаңыз.
- ▶ Аккумуляторларды ешқашан күн, жылу көздерінің астында немесе әйнек артында сақтамаңыз.
- ▶ Аспап пен аккумуляторларды балалар мен рұқсаты жоқ адамдардың қолы жетпейтін жерде сақтаңыз.



2233926

- ▶ Аспапты немесе аккумуляторларды ұзақ уақыт сақтаған соң, оларды пайдалану алдында зақымдарының бар-жоғын тексеріңіз.

10 Ақаулықтардағы көмек

Бұл кестеде келтірілмеген немесе өзіңіз түзете алмайтын ақаулықтар орын алғанда, **Hilti** қызмет көрсету орталығына хабарласыңыз.

10.1 Ақаулықтарды жою


Ақаулық	Ықтимал себеп	Шешім
Аккумулятор заряды әдеттегіден жылдам бітеді.	Қоршаған орта температурасы тым төмен.	▶ Аккумуляторды ұзақ уақытта бөлме температурасында жылытыңыз.
Аккумулятор естілетін шырты ету дыбысымен бекітілмейді.	Аккумулятордағы құлып шоқылары кірленген.	▶ Тіреуіш шығыңқы жерлерін тазалаңыз және аккумуляторды қайтадан салыңыз.
1 жарық диоды жыпылықтайды. Аспап жұмыс істемейді.	Аккумулятор заряды бос.	▶ Аккумуляторды алмастырып, бос аккумуляторды зарядтаңыз.
	Аккумулятор суып немесе қызып кетті.	▶ Аккумуляторды ұзақ уақытта бөлме температурасында жылытыңыз.
Барлық 4 жарық диоды жыпылықтайды. Аспап жұмыс істемейді.	Аспапқа шамадан тыс жүктеме түсті.	▶ Негізгі сөндіргішті босатып, қайта басыңыз. Содан кейін аспапты шам. 30 секунд ішінде бос жүріс жылдамдығымен жұмыс істетіңіз.
Бұрыштық ажарлау машинасында немесе аккумуляторды қатты қызу пайда болды.	Электр бөлігі бойынша ақаулық	▶ Аспапты бірден өшіріңіз, аккумуляторды шығарыңыз, оны қадағалап, салқындауына мүмкіндік беріңіз және Hilti сервис орталығына хабарласыңыз.
Аспап толық қуатпен жұмыс істемейді.	Сыйымдылығы аз аккумулятор орнатылған.	▶ Сыйымдылығы жеткілікті аккумуляторды қолданыңыз.
Қозғалтқыштың тежеу функциясы жоқ.	Аккумулятор заряды бос.	▶ Аккумуляторды алмастырып, бос аккумуляторды зарядтаңыз.
	Аспапқа қысқа мерзімді шамадан тыс жүктеме түсті.	▶ Аспапты өшіріп қайта қосыңыз.

11 RoHS (зиянды заттектердің пайдаланылуын шектеу директивасы)

Төмендегі сілтеме бойынша зиянды заттектердің кестесі келтірілген: qr.hilti.com/r9884540.

RoHS кестесінің сілтемесі осы құжаттаманың соңында QR коды ретінде берілген.

12 Көдеге жарату

 **Hilti** аспаптары қайта өңдеу үшін жарамды көптеген материалдардың санын қамтиды. Көдеге жарату алдында материалдарды мұқият сұрыптау керек. Көптеген елдерде **Hilti** компаниясы ескі аспабыңызды қайта өңдеу үшін қайта қабылдайды. **Hilti** қызмет көрсету орталығынан немесе дилеріңізден сұраңыз.

Аккумуляторды көдеге жарату

Аккумуляторларды нұсқаулардан тыс көдеге жарату нәтижесінде газ не сұйықтықтың шығуы денсаулыққа қауіп төндіруі мүмкін.

- ▶ Зақымдалған аккумуляторларды жіберуге немесе жөнелтуге болмайды!
- ▶ Қысқа тұйықталуға жол бермеу үшін, қосылымдарды ток өткізбейтін материалмен жауып қойыңыз.



- ▶ Аккумуляторларды балалардың қолына жетпейтіндей етіп кәдеге жаратыңыз.
- ▶ Аккумуляторды **Hilti Store** дүкенінде кәдеге жаратыңыз немесе жергілікті кәдеге жарату кәсіпорнына хабарласыңыз.



- ▶ Электр құралдарды, электрондық құрылғылар мен аккумуляторларды тұрмыстық қоқыспен бірге тастамаңыз!

13 Өндіруші кепілдігі

- ▶ Кепілдік шарттары туралы сұрақтарыңыз болса, жергілікті **Hilti** серіктесіне хабарласыңыз.



1 Dokümantasyon verileri

1.1 Bu doküman için

- Çalıştırmadan önce bu dokümanı okuyunuz. Bu, güvenli çalışma ve arzasız kullanım için ön koşuldur.
- Bu dokümanda ve ürün üzerinde bulunan güvenlik ve uyarı bilgilerine dikkat ediniz.
- Kullanım kılavuzunu her zaman ürün üzerinde bulundurunuz ve ürünü sadece bu kılavuz ile birlikte başka kişilere veriniz.

1.2 Resim açıklaması

1.2.1 Uyarı bilgileri

Uyarı bilgileri, ürün ile çalışırken ortaya çıkabilecek tehlikelere karşı uyarır. Aşağıdaki uyarı metinleri kullanılır:



TEHLİKE

TEHLİKE !

- ▶ Ağır vücut yaralanmalarına veya doğrudan ölüme sebep olabilecek tehlikeler için.



İKAZ

İKAZ !

- ▶ Ağır yaralanmalara veya ölüme neden olabilecek tehlikeler için.



DİKKAT

DİKKAT !

- ▶ Hafif vücut yaralanmalarına veya maddi hasarlara yol açabilecek olası tehlikeli durumlar için.

1.2.2 Dokümandaki semboller

Bu dokümanda aşağıdaki semboller kullanılmıştır:

	Kullanmadan önce kullanım kılavuzunu okuyunuz
	Kullanım uyarıları ve diğer gerekli bilgiler
	Geri dönüşümlü malzemeler ile çalışma
	Elektrikli aletleri ve aküleri evdeki çöplere atmayınız

1.2.3 Resimlerdeki semboller

Resimlerde aşağıdaki semboller kullanılmıştır:

2	Bu sayılar, kılavuzun başlangıcındaki ilgili resimlere atanmıştır
3	Numaralandırma, resimdeki çalışma adımlarının sırasını göstermektedir ve metindeki çalışma adımlarından farklı olabilir
11	Pozisyon numaraları Genel bakış resminde kullanılır ve Ürüne genel bakış bölümündeki açıklama numaralarına referans niteliğindedir
	Bu işaret, ürün ile çalışırken dikkatinizi çekmek için koyulmuştur.

1.3 Ürüne bağlı semboller

1.3.1 Üründeki semboller

Üründe aşağıdaki semboller kullanılmıştır:

	Koruyucu gözlük kullanınız
n	Ölçme devir sayısı



/min	Dakika başına devir
RPM	Dakika başına devir
Ø	Çap
---	Doğru akım
	Kablosuz veri aktarımı
Li-Ion	Lityum İyon akü
	Kullanılan Hilti Lityum İyon akü tip serisi. Usulüne uygun kullanım bölümündeki bilgileri dikkate alınız.

1.4 Ürün bilgileri

HILTI ürünleri profesyonel kullanıcıların kullanımı için öngörülmüştür ve sadece yetkili personel tarafından kullanılabilir ve bakımı yapılabilir. Bu personel, meydana gelebilecek tehlikeler hakkında özel olarak eğitim görmüş olmalıdır. Aletin ve ilgili yardımcı gereçlerin eğitimsiz personel tarafından usulüne uygun olmayan şekilde kullanılması ve amaçları dışında çalıştırılması sonucu tehlikeli durumlar söz konusu olabilir. Tip tanımı ve seri numarası, tip plakası üzerinde belirtilmiştir.

- Seri numarasını aşağıdaki tabloya aktarınız. Ürün bilgileri acente veya servis merkezini aradığınızda sorulabilir.

Ürün bilgileri

Açılı taşıyıcı	AG 4S-A22
Nesil	01
Seri no.	

1.5 Uygunluk beyanı

Burada tanımlanan ürünün, geçerli yönetmeliklere ve normlara uygun olduğunu kendi sorumluluğumuzda beyan ederiz. Bu dokümanın sonunda uygunluk beyanının bir kopyasını bulabilirsiniz.

Teknik dokümantasyonlar burada saklanır:

Hilti Entwicklungsgesellschaft mbH | Zulassung Geräte | Hiltistraße 6 | 86916 Kaufering, DE

2 Güvenlik

2.1 Güvenlik uyarıları

2.1.1 Elektrikli el aletleri için genel güvenlik uyarıları

⚠ İKAZ Bu elektrikli el aletine yönelik tüm güvenlik uyarılarını, talimatları, resimli açıklamaları ve teknik verileri dikkatlice okuyunuz. Aşağıdaki talimatlara uyulmaması durumunda elektrik çarpması, yangın ve/veya ağır yaralanmalar söz konusu olabilir.

Tüm güvenlik uyarılarını ve kullanım talimatlarını muhafaza ediniz.

Güvenlik uyarılarında kullanılan "Elektrikli el aleti terimi, şebeke işletimli elektrikli el aletleri (şebeke kablosu ile) veya akü işletimli elektrikli el aletleri (şebeke kablosu olmadan) ile ilgilidir.

İş yeri güvenliği

- **Çalışma alanınızı temiz ve aydınlık tutunuz.** Düzensiz veya aydınlatma olmayan çalışma alanları kazalara yol açabilir.
- **Yanıcı sıvıların, gazların veya tozların bulunduğu patlama tehlikesi olan yerlerde elektrikli el aleti ile çalışmayınız.** Elektrikli el aletleri, toz veya buharı yakabilecek kıvılcım oluşturur.
- **Elektrikli el aletini kullanırken çocukları ve diğer kişileri uzak tutunuz.** Dikkatiniz dağılırsa aletin kontrolünü kaybedebilirsiniz.

Elektrik güvenliği

- **Elektrikli el aletinin bağlantı fişi prize uygun olmalıdır. Fiş hiçbir şekilde değiştirilmemelidir. Adaptör fişini topraklama korumalı elektrikli el aletleri ile birlikte kullanmayınız.** Değiştirilmemiş fişler ve uygun prizler elektrik çarpması riskini azaltır.



2233926

Türkçe

187

- ▶ **Borular, radyatörler, fırınlar ve buzdolapları gibi toprağa temas eden üst yüzeylere vücudunuzla temas etmekten kaçınınız.** Vücudunuzun toprakla teması var ise yüksek bir elektrik çarpması riski söz konusudur.
- ▶ **Elektrikli el aletini yağmurdan veya ıslaklıktan uzak tutunuz.** Elektrikli el aletine su girmesi, elektrik çarpması riskini artırır.
- ▶ **Elektrikli el aletini taşımak, asmak veya fişi prizden çekmek için bağlantı kablosunu kullanım amacı dışında kullanmayınız.** Bağlantı kablosunu sıcağtan, yağdan, keskin kenarlardan ve hareketli parçalardan uzak tutunuz. Hasarlı veya dolanmış bağlantı kabloları elektrik çarpması riskini artırır.
- ▶ **Elektrikli bir el aleti ile açık alanda çalışacaksanız, sadece dışarıda kullanımına izin verilen uzatma kabloları kullanınız.** Dış mekanlar için uygun olan uzatma kablolarının kullanılması elektrik çarpması riskini azaltır.
- ▶ **Elektrikli el aleti işletiminin nemli ortamda yapılması kaçınılmaz ise bir kaçak akım koruma şalteri kullanınız.** Bir kaçak akım koruma şalterinin kullanımı elektrik çarpması riskini azaltır.

Kişilerin güvenliği

- ▶ **Dikkatli olunuz, ne yaptığınıza dikkat ediniz ve elektrikli el aleti ile mantıklı bir şekilde çalışınız.** Yorgunsanız veya uyuşturucu, alkol veya ilaç etkisi altında olduğunuzda elektrikli el aleti kullanmayınız. Elektrikli el aletini kullanırken bir anlık dikkatsizlik ciddi yaralanmalara neden olabilir.
- ▶ **Kişisel koruyucu donanım ve her zaman bir koruyucu gözlük takınız.** Elektrikli el aletinin türüne ve kullanımına göre toz maskesi, kaymayan güvenlik ayakkabısı, koruyucu kask veya kulaklık gibi kişisel koruyucu donanımların kullanılması yaralanma riskini azaltır.
- ▶ **İstem dışı çalışmayı önleyiniz. Güç kaynağına ve/veya aküyü bağlamadan, girişini yapmadan veya taşımadan önce elektrikli el aletinin kapalı olduğundan emin olunuz.** Elektrikli el aletini taşıırken parmağınız şalterde ise veye alet açık konumda güç kaynağına takılırsa bu durum kazalara yol açabilir.
- ▶ **Elektrikli el aletini devreye almadan önce ayar aletlerini veya vidalama anahtarlarını çıkartınız.** Dönen bir alet parçasında bulunan bir alet veya anahtar yaralanmalara yol açabilir.
- ▶ **Aşırı bir vücut hareketinden sakınınız. Güvenli bir duruş sağlayınız ve her zaman dengeli tutunuz.** Böylece beklenmedik durumlarda elektrikli el aletini daha iyi kontrol edebilirsiniz.
- ▶ **Uygun kıyafetler giyiniz. Bol kıyafetler giymeyiniz veya takmayınız. Saçları, kıyafetleri ve eldivenleri hareket eden parçalardan uzak tutunuz.** Bol kıyafetler, takı veya uzun saçlar hareket eden parçalara takılabilir.
- ▶ **Toz emme ve tutma tertibatları monte edilebiliyorsa bunların bağlı olduğundan ve doğru kullanıldığınından emin olunuz.** Bu toz emme tertibatının kullanımı tozdan kaynaklanabilecek tehlikeleri azaltabilir.
- ▶ **Kendi güvenliğinizi riske atmayınız ve elektrikli el aletleri kullanımında son derece tecrübeli olsanız bile ilgili güvenlik kurallarını ihlal etmeyiniz.** Dikkatsiz kullanım saniyeler içerisinde ciddi yaralanmalara neden olabilir.

Elektrikli el aletinin kullanımı ve çalıştırılması

- ▶ **Aleti çok fazla zorlamayın. Çalışmanız için uygun olan elektrikli el aletini kullanın.** Uygun elektrikli el aleti ile bildirilen hizmet alanında daha iyi ve güvenli çalışırsınız.
- ▶ **Şalteri bozuk olan elektrikli el aletini kullanmayınız.** Açılıp kapatılmayan bir elektrikli el aleti tehlikelidir ve tamir edilmesi gerekir.
- ▶ **Alet ayarlarını yapmadan, aksesuar parçalarını değiştirmeden veya aleti bir yere koymadan önce fişi prizden ve/veya (çıkarılabilir) aküyü aletten çıkarınız.** Bu önlem, elektrikli el aletinin istem dışı çalışmasını engeller.
- ▶ **Kullanılmayan elektrikli el aletlerini çocukların erişemeyeceği yerde muhafaza edin. Aleti iyi tanımayan veya bu talimatları okumamış kişilere aleti kullanırmayınız.** Elektrikli el aletleri bilgisiz kişiler tarafından kullanılırsa tehlikelidir.
- ▶ **Elektrikli el aletlerinin ve aksesuarlarının bakımını titizlikle yapınız. Hareketli parçaların kusursuz çalıştığı ve sıkışmadığı, parçaların kırılıp kırılmadığı veya hasar görüp görmediği, elektrikli el aleti fonksiyonlarının kısıtlanma durumlarını kontrol ediniz. Hasarlı parçaları aleti kullanmadan önce tamir ettiriniz.** Birçok kazanın nedeni bakımı kötü yapılan elektrikli el aletleridir.
- ▶ **Kesme aletlerini keskin ve temiz tutun.** Özenle bakımı yapılmış keskin bıçak kenarı olan kesme aletleri daha az sıkışır ve kullanımı daha rahattır.
- ▶ **Elektrikli el aletini, aksesuarları, ek aletleri vb. bu talimatlara göre kullanın. Çalışma şartlarını ve yapılacak işi de ayrıca göz önünde bulundurun.** Elektrikli el aletlerinin öngörülen kullanımı dışında kullanılması tehlikeli durumlara yol açabilir.
- ▶ **Tutamağı ve tutamak yüzeylerini daima temiz ve yağ ve gresten arındırılmış durumda tutunuz.** Kaygan tutamaklar ve tutamak yüzeyleri güvenli bir kullanımı ve öngörülemez durumlarda elektrikli el aletinin kontrolünü engeller.



Akülü el aletinın kullanımı ve çalıştırılması

- ▶ **Akülerı sadece üretıcı tarafından tavsiye edilen şarj cihazları ile şarj ediniz.** Belirli bir akü için uygun olan bir şarj cihazı, başka akülerle kullanılırsa yanma tehlikesi vardır.
- ▶ **Elektrikli el aletlerinde sadece bunun için öngörülen aküler kullanılmalıdır.** Başka akülerin kullanılması yaralanmalara ve yanma tehlikelerine yol açabilir.
- ▶ **Kullanılmayan akülerı, kontakların köprülmesine sebep olabilecek ataçlar, madeni paralar, anahtarlar, çiviler, vidalar veya diğer küçük metal cisimlerden uzak tutunuz.** Akü kontakları arasındaki kısa devre yanmalara veya alev oluşumuna sebep olabilir.
- ▶ **Yanlış kullanımda aküden sıvı çıkabilir.** Bunlar ile temas önleyiniz. Yanlışlıkla temasta su ile durulayınız. Sıvı gözlere temas ederse ayrıca doktor yardımı isteyiniz. Dışarı akan akü sıvısı cilt tahrişine ve yanmalarna yol açabilir.
- ▶ **Hasarlı veya değiştirilmiş akülerı kullanmayınız.** Hasarlı veya değiştirilmiş aküler öngörülmemeyen şekilde yangın, patlama veya yaralanma tehlikesi içeren tutumlara neden olabilir.
- ▶ **Akülerı açık ateş yakınına koymayınız veya yüksek sıcaklıklara maruz bırakmayınız.** Açık ateş veya 130°C'nin (265°F) üzerinde sıcaklıklar patlama tehlikesine neden olabilir.
- ▶ **Tüm şarj talimatlarına uyunuz ve aküyü veya akülü aleti kullanım kılavuzunda öngörülen sıcaklık aralığının dışında şarj etmeyiniz.** Hatalı şarj veya öngörülen sıcaklık aralığının dışındaki şarj işlemleri akünün zarar görmesine ve yangın tehlikesine neden olabilir.

Servis

- ▶ **Elektrikli el aletinizi sadece kalifiye uzman personele ve sadece orijinal yedek parçalar ile tamir ettiriniz.** Böylece aletin güvenliğinin korunduğundan emin olunur.
- ▶ **Hasarlı akülere bakım yapmayınız.** Akülere yönelik tüm bakım çalışmaları sadece üretici veya yetkili müşteri hizmetleri tarafından yapılmalıdır.

2.1.2 Taşlama, zımpara kağıdı taşlaması, tel fırçalarla çalışma, polisaj ve kesici taşlama için ortak güvenlik uyarıları:

- ▶ **Bu elektrikli el aleti taşıyıcı, zımpara kağıdı taşıyıcısı, tel fırça ve kesici taşlama makinesi olarak kullanılabilir.** Aletle birlikte verilen tüm güvenlik uyarılarına, talimatlara, tanımlamalara ve verilere dikkat ediniz. Takip eden talimatlar dikkate alınmazsa elektrik çarpması, yangın ve/veya ağır yaralanmalar meydana gelebilir.
- ▶ **Bu elektrikli el aleti polisaj için uygun değildir.** Elektrikli el aletinın öngörülmediği kullanımlar tehlike ve yaralanmalara sebep olabilir.
- ▶ **Üretici tarafından bu elektrikli el aletleri için özel olarak öngörülmemeyen veya önerilmeyen aksesuarlar kullanmayınız.** Sadece aksesuarı elektrikli el aletine sabitleyebilmeniz onun güvenli bir şekilde kullanılabilmesi anlamına gelmez.
- ▶ **Kullanılan ek aletin izin verilen devir sayısı, elektrikli el aletinın üzerindeki devir sayısı kadar yüksek olmalıdır.** Uygun olandan daha hızlı dönen aksesuar kırılabilir ve etrafa fırlayabilir.
- ▶ **Dış çap ve kullanılan ek aletin kalınlığı, elektrikli el aletinın ölçü verilerine uymalıdır.** Yanlış ölçülen ek aletleri yeterince korunamaz veya kontrol edilemez.
- ▶ **Dişli uçlara sahip ek aletler, taşlama edilmiş dişlisine tam olarak uymalıdır. Flanş ile takılan ek aletlerde ek aletin delik çapı, flanştaki bağlantı noktası çapına uygun olmalıdır.** Elektrikli el aleti üzerine tam olarak sabitlenmeyen ek aletler dengesiz şekilde döner, çok yoğun şekilde titre ve kontrolün kaybedilmesine neden olabilir.
- ▶ **Hasarlı ek aletleri kullanmayınız.** Taşlama diskleri gibi ek aletlerin her kullanımından önce çatlak ve yırtık, aşınma veya aşırı kullanım, gevşek veya kırılmış tel fırça veya kırık tel durumu kontrol edilmelidir. Elektrikli el aleti veya ek alet yere düştüyse, hasar bakımından kontrol edilmeli veya hasar görmemiş bir ek alet kullanılmalıdır. Ek aleti kontrol edip yerleştirdiğinizde siz ve çevredeki kişiler dönen ek aletin yakınından uzaklaşmalı ve alet bir dakika boyunca en yüksek devir sayısı ile çalıştırılmalıdır. Hasarlı ek aletler çoğunlukla bu test süresinde parçalanır.
- ▶ **Kişisel koruyucu donanım giyiniz.** Kullanıma göre tam yüz koruması, göz koruması veya koruyucu gözlük kullanınız. Gerekli olduğu takdirde küçük zımpara veya malzeme parçacıklarını uzak tutan toz maskesi, kulaklık, koruyucu eldiven veya özel önlük giyiniz. Gözler değişik kullanımlarda oluşan havada uçan yabancı parçacıklardan korunmalıdır. Toz veya solunum maskesi kullanım sırasında ortaya çıkan tozu filtrelemelidir. Uzun süre yüksek seste bulduysanız duyma kaybı meydana gelebilir.
- ▶ **Diğer kişilerin çalışma alanınıza yaklaşmamasına dikkat ediniz. Çalışma alanına giren herkes kişisel koruyucu donanım giymelidir.** İş parçasının kırılmış parçaları veya kırılmış ek aletler uçabilir ve doğrudan çalışma alanının dışında da yaralanmalara sebep olabilir.
- ▶ **Ek aletin gizli elektrik kablolarına temas edebileceği yerlerde çalışıyorsanız elektrikli el aleti sadece izole edilmiş tutamak yüzünden tutunuz.** Elektrik ileten bir hat ile temasta metal parçalar da gerilim altında kalır ve elektrik çarpmasına neden olabilir.



- ▶ **Şebeke kablosunu dönen ek aletlerden uzak tutunuz.** Aletin kontrolünü kaybettiğinizde şebeke kablosu ayrılabilir veya tutulabilir ve eliniz veya kolunuz dönen ek aletin içine girebilir.
- ▶ **Elektrikli el aletini, ek alet tamamen durmadan önce asla kapatmayınız.** Dönen ek alet, elektrikli el aletin kontrolünü kaybedebileceğiniz altlık yüzeyine doğru gidebilir.
- ▶ **Taşıdığınız sırada elektrikli el aleti çalışır durumda olmamalıdır.** Kıyafetiniz dönen ek alete istem dışı takılabilir ve ek alet vücudunuzu delebilir.
- ▶ **Elektrikli el aletinizin havalandırma deliklerini düzenli bir şekilde temizleyiniz.** Motor fanı muhafazaya toz çeker ve metal tozlarının birikmesinden dolayı elektrik kazalarına neden olabilir.
- ▶ **Elektrikli el aletini yanıcı maddelerin yakınında kullanmayınız.** Kıvılcımlar bu maddeleri tutuşturabilir.
- ▶ **Sıvı soğutma maddesi gerektiren ek aletleri kullanmayınız.** Su ve diğer sıvı soğutma maddelerinin kullanılması elektrik çarpmasına neden olabilir.

Geri tepme ve ilgili güvenlik uyarıları

Geri tepme; taşlama diski, taşlama tablası, tel fırça vb. dönen bir ek aletin sıkışması veya bloke olması nedeniyle ani bir tepki vermesidir. Sıkışma veya bloke nedeniyle dönen ek alet aniden durur. Bu nedenle kontrol edilemeyen elektrikli el aleti, blokaj noktasında ek aletin dönüş yönünün tersine ivmelenir.

Örneğin bir taşlama diski iş parçasında sıkışır veya bloke olursa, iş parçasına giren zımpara diskinin kenarı sıkışabilir ve bu nedenle taşlama diski kırılabilir veya geri tepmeye neden olabilir. Taşlama diski, blokaj noktasında diskin dönüş yönüne bağlı olarak kullanan kişinin üzerine doğru veya kullanan kişiden uzağa doğru hareket eder. Bu durumda taşlama diskleri de kırılabilir.

Elektrikli el aletinin yanlış veya hatalı kullanılması sonucunda geri tepme meydana gelir. Aşağıda tanımlanan özel önlemler alınarak geri tepme engellenebilir.

- ▶ **Elektrikli el aletini sıkıca tutunuz ve vücudunuzu ve kollarınızı geri tepmelere karşı koyabileceğiniz şekilde getiriniz. Geri tepmelerde ve yüksek devirlerdeki reaksiyon anlarında kontrolü sağlayabilmek için her zaman ilave tutamaktan tutunuz.** Aleti kullanan kişi özel önlemler olarak geri tepme veya reaksiyon güçlerine karşı koyabilir.
- ▶ **Elinizi kesinlikle dönen ek aletlerin yakınında bulundurmayınız.** Ek alet geri teperken elinizin üzerinden geçebilir.
- ▶ **Vücudunuzu elektrikli el aletinin bir geri tepmede hareket ettiği bölgeden uzak tutunuz.** Geri tepme blokaj yerinde elektrikli el aleti taşlama diskinin hareketinin ters yönünde hareket ettirir.
- ▶ **Özellikle köşelerde ve keskin kenarlı yerlerde daha dikkatli bir şekilde çalışınız. Ek aletlerin iş parçasından geri tepmesini ve iş parçasına sıkışmasını engelleyiniz.** Dönen ek alet köşelerde, keskin kenarlarda veya çarptığında sıkışmaya meyillidir. Bu bir kontrol kaybına veya geri tepmeye neden olur.
- ▶ **Zincir veya dişli testere bıçağı kullanmayınız.** Bu tür ek aletler, çoğunlukla bir geri tepmeye veya elektrikli el aleti üzerindeki kontrolün kaybedilmesine neden olur.

Taşlama ve kesici taşlama için özel güvenlik uyarıları:

- ▶ **Elektrikli el aletiniz için sadece izin verilen zımparalama gövdesi ve bu zımparalama gövdesi için öngörülen koruma başlığı kullanınız.** Elektrikli el aleti için ön görülmemiş olan taşlama çarkları yeterince korumalı değildir ve güvenli değildir.
- ▶ **Açık taşlama diskleri, taşlama yüzeylerinin koruma başlığı kenarından taşmayacağı şekilde takılmalıdır.** Uygun olmayan şekilde takılan ve koruma başlığı kenarından taşan bir taşlama diski yeterince yağlanamaz.
- ▶ **Koruma başlığı elektrikli el aletine güvenli bir şekilde takılmalı ve maksimum güvenlik için taşlama gövdesinin mümkün olan en küçük parçası kullanıcı tarafını göstermelidir.** Koruma başlığı kullanan kişi; kırılan parçalardan, taşlama gövdeleriyle temas etmekten veya kıvılcım ve kıyafetin alev almasından korumaya yardım eder.
- ▶ **Zımparalama gövdeleri sadece önerilen uygulama imkanları için kullanılmalıdır. Örnek: Asla kesim için kesme diskinin yan tarafını kullanmayınız.** Kesme diskleri diskin kenarı ile malzemenin kazınması için uygundur. Zımparalama gövdesine yanlardan uygulanan kuvvetten dolayı kırılma meydana gelebilir.
- ▶ **Sizin tarafınızdan seçilen zımpara diski için daima hasar görmemiş uygun ebatta ve şekilde sıkma flanşları kullanınız.** Uygun olan flanşlar taşlama diskinin destekler ve taşlama diskinin kırılma tehlikesini azaltır. Kesme diskleri flanşları diğer taşlama diskleri flanşlarından farklıdır.
- ▶ **Daha büyük elektrikli el aletlerine ait kullanılmış taşlama disklerini kullanmayınız.** Büyük elektrikli el aletleri için kullanılan taşlama diskleri daha küçük elektrikli el aletlerinin daha yüksek devir sayıları için tasarlanmamıştır ve kırılabilir.

Kesici taşlama için diğer özel güvenlik uyarıları:

- ▶ **Kesme diskinin bloke olmasını ve çok yüksek presleme basıncını önleyiniz. Çok derin kesimler yapmayınız.** Kesme diskinin aşırı kullanımı aletin aşınmasını artırır ve kırılma tehlikesi ve blokaja neden olabilir ve bu nedenle bir geri tepme veya zımparalama gövdesinin kırılması söz konusu olabilir.



- ▶ **Döner kesme diskinin ön ve arka tarafındaki alandan uzak durunuz.** Eğer kesme diski iş parçasında kendinizden başka bir yöne hareket ettirirseniz, geri tepme sonucu elektrikli el aleti döner disk ile birlikte doğrudan size doğru hareket eder.
- ▶ **Eğer kesme diski sıkışırsa veya çalışmaya ara verirken, aleti kapatınız ve disk durana kadar bekleyiniz. Asla çalışır durumdaki kesme diskini iş parçasından çekmeyiniz, aksi takdirde bir geri tepme meydana gelebilir.** Sıkışmanın sebebini belirleyiniz ve sebebini gideriniz.
- ▶ **Elektrikli el aletini iş parçası üzerine getirilmediği sürece devreye almayınız. Dikkatlice kesime devam edilmeden önce kesme diskinin tam devir sayısına ulaşmasını sağlayınız.** Aksi takdirde diskler takılabilir, iş parçasından çıkabilir ve geriye doğru bir darbeye neden olabilir.
- ▶ **Sıkışan bir kesme diskinin geri tepmesini önlemek için levhaları veya büyük iş parçalarını destekleyiniz.** Büyük iş parçaları kendi ağırlıklarından dolayı bükülebilir. İş parçası; diskin her iki tarafından, kesme bölgesine yakın bir noktadan ve aynı zamanda kenardan desteklenmelidir.
- ▶ **Mevcut duvarlarda veya görülemeyen diğer alanlarda özellikle "Çep kesimlerinde" çok dikkatli olunuz.** Derine dalan kesme diski gaz, su, elektrik hatlarının ve diğer nesnelerin kesiminde geriye doğru tepmeye neden olur.

Zımpara kağıdı taşlaması için özel güvenlik uyarıları:

- ▶ **Aşırı büyük zımpara kağıtları kullanmayınız, aksine zımpara kağıdı boyutuna ilişkin üretici verilerine uyunuz.** Zımpara tablasından taşan zımpara kağıtları, diskin bloke olmasına, zımpara kağıtlarının zarar görmesine veya geri tepmeye ve yaralanmalara neden olabilir.

Tel fırçalarla çalışma için özel güvenlik uyarıları:

- ▶ **Tel fırçanın normal çalışmada da tel parçaları kaybetmesine dikkat edilmelidir. Telleri fazla bastırarak aşırı yüke maruz bırakmayınız.** Uçuşan tel parçaları ince kıyafetlere veya vücuda kolayca saplanabilir.
- ▶ **Eğer koruma başlığı öneriliyorsa, koruma başlığı ve tel fırçanın birbiri ile temas etmesi önlenmelidir.** Tabla ve çanak fırçaları, presleme basıncı ve merkezkaç kuvvetleri ile çaplarını büyütebilir.

2.1.3 Ek güvenlik uyarıları

Kişilerin güvenliği

- ▶ Ürünü sadece teknik açıdan sorunsuz durumdayken kullanınız.
- ▶ Alette hiçbir zaman tadilat veya değişiklik yapmayınız.
- ▶ Dönen parçalara temas etmekten kaçınınız - Yaralanma tehlikesi!
- ▶ Matkap ucu değişimi sırasında koruyucu eldiven takınız. Ek alete takılan uçlara dokunmak kesik ve yanık türünde yaralanmalara yol açabilir.
- ▶ Çalışmaya başlamadan önce çalışma sırasında ortaya çıkan tozun tehlike sınıfını öğreniniz. Ülkenizdeki tozdan koruma yönergelerine uygun bir resmi koruma sınıfına sahip toz emme tertibatı kullanınız. Kurşun içeren boyalar gibi malzemelerin tozu, bazı ahşap türleri, kuartz içeren beton / duvar / taşlar, mineraller ve metaller sağlığa zarar verebilir.
- ▶ Çalışma yerinin iyi havalandırmasını sağlayın ve gerektiği durumlarda ilgili toz için uygun olan bir maske kullanınız. Tozlara dokunulması veya tozların solunması, kullanıcıda veya yakınında bulunan kişilerde alerjik reaksiyonlara ve/veya solunum yolu hastalıklarına yol açabilir. Kayın veya meşe ağacı gibi belli tür tozlar özellikle ahşap işlemede ek maddelerle (kromat, ahşap koruyucu malzemeler) bağlantılı çalışıldığında kanser yapıcı olarak kabul edilir. Asbest içerikli malzemeler sadece uzman kişiler tarafından işlenmelidir.
- ▶ Parmaklarınızdaki kan dolaşımının daha iyi olması için çalışma molaları veriniz ve egzersizler yapınız. Uzun süren çalışmalarda titreşim, parmaklar, eller veya bileklerdeki sinir sisteminde veya kan damarlarında rahatsızlıklara neden olabilir.

Elektrik güvenliği

- ▶ Çalışmaya başlamadan önce çalışma alanında üzeri kapatılmış elektrik kablosu, gaz ve su borusu bulunup bulunmadığını kontrol ediniz. Bir elektrik hattına kazara zarar verilmesi halinde, aletin dışındaki metal parçalar elektrik çarpmasına neden olabilir.

Elektrikli el aletleri ile dikkatli çalışılması ve aletin doğru kullanılması

- ▶ Kazıma zımparalaması için kesici zımpara diskleri kullanmayınız.
- ▶ Ek aleti ve flanş iyice sıkınız. Ek alet ve flanş iyice sıkılmamışsa, kapatma sonrasında, ek aletin frenleme esnasında alet motoru tarafından milinden ayrılması söz konusu olabilir.
- ▶ Kullanım ve depolama konusunda taşlama diskleri üreticisinin talimatlarına dikkat ediniz.

2.1.4 Akülü aletlerin özenli çalıştırılması ve kullanımı

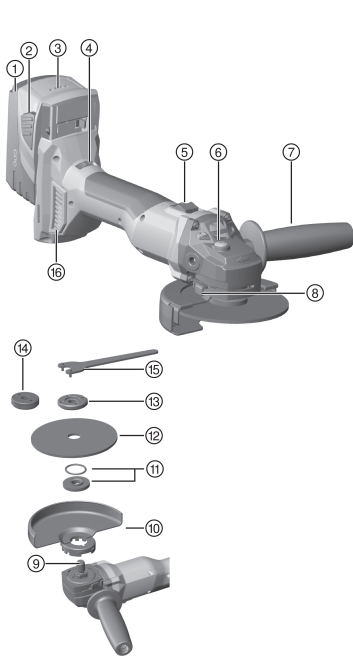
- ▶ Lityum İyon akülerin taşıma, depolama ve kullanımına yönelik özel talimatları dikkate alınınız.
- ▶ Aküler, yüksek sıcaklıklarda, doğrudan güneş ışığından ve ateşten uzak tutulmalıdır.



- ▶ Aküler parçalarına ayrılmamalı, ezilmemeli, 80°C üzerine ısıtılmamalı veya yakılmamalıdır.
- ▶ Darbe almış, bir metreden daha yüksek bir yerden düşmüş veya başka bir şekilde hasar görmüş aküleri kullanmayınız veya şarj etmeyiniz. Bu durumda her zaman **Hilti servisi** ile irtibat kurunuz.
- ▶ Akü tutulamayacak kadar sıcaksa arızalı olabilir. Ürünü yanıcı malzemelerden yeterli bir uzaklıkta, gözlemleyebileceğiniz yanmaz bir zemin üzerine koyunuz ve soğuması için bırakınız. Bu durumda her zaman **Hilti servisi** ile irtibat kurunuz.

3 Tanımlama

3.1 Ürüne genel bakış



- ① Akü
- ② Akü kilit açma tuşu
- ③ Şarj durumu göstergesi
- ④ Hız ayarı
- ⑤ Açma/kapama şalteri
- ⑥ Mil ayarlama düğmesi
- ⑦ Yan tutamak
- ⑧ Kapak açma düğmesi
- ⑨ Mil
- ⑩ Standart koruma başlığı
- ⑪ O-ringli sıkma flanşı
- ⑫ Kesici taşlama diski / kaba zımparalama diski
- ⑬ Germe somunu
- ⑭ Hızlı bağlantı somunu **Kwik lock** (opsiyonel)
- ⑮ Sıkma anahtarı
- ⑯ Toz filtresi

3.2 Usulüne uygun kullanım

Tanımlanan ürün, elle kullanılan, aküyle çalışan bir açılı taşlayıcıdır. Alet, her biri su kullanılmadan yapılan, metal ve mineral içerikli maddelere yönelik kesici taşlama ve kaba zımparalamanın yanı sıra ve fırçalama, zımpara kağıdı ile zımparalama ve fayans delme uygulamaları için tasarlanmıştır. Yalnız kuru taşlama/kesme işlemleri için kullanılabilir.

- Mineralli maddelerde kesici taşlama, yiv açma ve kaba zımparalama çalışmaları sadece ilgili koruma başlığı (opsiyonel olarak temin edilebilir) ile olanaklıdır.
- Prensipte beton veya taş gibi mineralli zeminlerde gerçekleştirilen çalışmalarda, uygun bir **Hilti** toz emme makinesi ile buna ait bir toz emme muhafazası kullanılmalıdır.
- ▶ Bu ürün için sadece B 22 tip serisi **Hilti** Lityum İyon aküler kullanınız.
- ▶ Bu aküler için sadece C4/36 serisi **Hilti** şarj cihazları kullanınız.

3.3 Teslimat kapsamı

Açılı taşlayıcı, yan tutamak, standart koruma başlığı, ön kapak, sıkma flanşı, germe somunu, sıkma anahtarı, toz filtresi, kullanım kılavuzu.

Ürünleriniz için izin verilen diğer sistem ürünlerini **Hilti Store** veya internetteki şu adreste bulabilirsiniz: www.hilti.group.



3.4 ATC

Alette elektronik hızlı kapatma ATC (Active Torque Control) fonksiyonu mevcuttur.

Ek alet takılır veya sıkılırsa, alet aniden kontrolsüz şekilde ters yönde dönmeye başlar. ATC, aletin bu ani dönme hareketini algılar ve derhal aleti kapatır.



Usulüne uygun fonksiyon durumu için aletin dönebilmesi gereklidir.

Aleti başarılı bir şekilde hızlı kapatmanızın ardından, aleti kapatınız ve tekrar açınız.

3.5 Sıcaklığa bağlı alet koruması

Sıcaklığa bağlı motor koruması, güç girişini ve motorun ısınmasını denetler ve aleti aşırı ısınmaya karşı korur. Presleme basıncı nedeniyle motor aşırı yüklendiğinde aletin performansı fark edilir biçimde düşer veya alet durabilir.

Aşırı yüklenme neticesinde durma veya devir sayısında düşüş yaşanırsa aletin yükünü azaltmalı ve yaklaşık 30 saniye rölantide çalıştırmalısınız.

3.6 Ön kapaklı koruma başlığı 2

Metal malzemelerin işlenmesi sırasında düz kaba zımparalama diskleriyle kaba zımparalama için ve kesici taşlama diskleriyle kesici taşlama için ön kapağa sahip standart koruma başlığı kullanınız.

3.7 Toz kapağı (kesme) DC-EX 125/5" C Kompakt kapak (aksesuar) 3

Mineral zeminlerde elmas taşlama diski ile kesici taşlama işleri için kompakt başlık DC-EX 125/5" C kullanılmalıdır.

Bu muhafaza ile metal işlemek yasaktır.

3.8 Toz kapağı (yiv açma) DC-EX 125/5" M (aksesuar) 4

Mineralli zeminlerde elmas taşlama diski ile kesici taşlama ve oluk açma işleri sadece bir toz kapağı yürütülmelidir.

DİKKAT Bu başlık ile metal işlemek yasaktır.

3.9 Toz kapağı (taşlama) DG-EX 125/5" (aksesuar) 5

Bu taşlama sistemi, yalnızca elmas konik disklerle mineralli yüzeylerin taşlanması için uygundur.

Bu muhafaza ile metal işlemek yasaktır.

3.10 Lityum İyon akülerin şarj durumu göstergesi

Lityum İyon akülerin şarj durumu, her iki kilit açma tuşuna hafifçe basarak görüntülenebilir.

Durum	Anlamı
4 LED yanıyor.	Şarj durumu: %75 ile %100 arası
3 LED yanıyor.	Şarj durumu: %50 ile %75 arası
2 LED yanıyor.	Şarj durumu: %25 ile %50 arası
1 LED yanıyor.	Şarj durumu: %10 ile %25 arası
1 LED yanıp sönüyor.	Şarj durumu: < %10



Çalışma esnasında ve çalışmadan sonra doğrudan şarj durumunun kontrol edilmesi mümkün değildir. Akü şarj durumu göstergesinin LED'leri yanıp söndüğünde lütfen Arızalar bölümdeki uyarıları dikkate alınız.

4 Sarf malzemesi

Sadece yapay reçine bağlantılı liflerle güçlendirilmiş diskler (maks. Ø 125 mm) kullanılmalıdır. Bu diskler en az 11000/dak devir sayısı ve 80 m/san çevresel hız için uygun olmalıdır.

İlgili disk kalınlığı, kaba zımparalama diskleri için maksimum 6,4 mm ve kesici taşlama diskleri için azami 3,0 mm olmalıdır.



2233926

Türkçe

193

DİKKAT! Kesici taşlama diskleri ile yapılan kesme ve yiv açma çalışmaları sırasında her zaman ilave ön kapaklı standart koruma başlığı veya komple kapalı bir toz kapağı kullanınız.

Diskler

Tip	Uygulama	Kısa işaret	Zemin
Aşındırıcı kesici taşlama disk	Kesici taşlama, yiv açma	AC-D	metalik
Elmas kesici taşlama disk	Kesici taşlama, yiv açma	DC-TP, DC-D (SPX, SP, P)	mineralli
Aşındırıcı kaba zımparalama disk	Kaba zımparalama	AG-D, AF-D, AN-D	metalik
Elmas kaba zımparalama disk	Kaba zımparalama	DG-CW (SPX, SP, P)	mineralli
Tel fırça	Tel fırçalar	3CS, 4CS, 3SS, 4SS	metalik
Elmas karot ucu	Fayans delme	DD-M14	mineralli
Fiber disk	Kaba zımparalama	AP-D	metalik

Kullanılan donanıma göre disklerin belirlenmesi

Poz.	Donanım	AC-D	AG-D, AF-D, AN-D	DG-CW (SPX, SP, P)	DC-TP, DC-D (SPX, SP, P)	AP-D	3CS, 4CS, 3SS, 4SS, DD-M14
A	Koruma başlığı	X	X	X	X	X	X
B	Ön kapak (A ile bağlantılı olarak)	X	—	—	X	—	—
C	Toz kapağı (taşlama) DG-EX 125/5"	—	—	X	—	—	—
D	Toz kapağı (kesme) DC-EX 125/5"C (A ile bağlantılı olarak)	—	—	—	X	—	—
E	Toz kapağı (yiv açma) DC-EX 125/5"M	—	—	—	X	—	—
F	Adaptör DC-EX SL (E ile bağlantılı olarak)	—	—	—	X	—	—
G	Yan tutamak	X	X	X	X	X	X
H	Germe somunu	X	X	X	X	—	—
I	Sıkma flanşı	X	X	X	X	—	—
J	Kwik lock (H için opsiyonel)	X	X	—	X	—	—
K	Fiber disk için germe somunu	—	—	—	—	X	—
L	Destek plakası	—	—	—	—	X	—

5 Teknik veriler

	AG 4S-A22-125
Nominal gerilim	21,6 V
Ölçme devir sayısı	8.500 dev/dak
Maksimum disk çapı	125 mm
EPTA Prosedürü 01 uyarınca ağırlık	3,1 kg
Tahrik mili vida dişlisi	M14
Mil uzunluğu	22 mm
İşletim sırasındaki ortam sıcaklığı	-17 °C ... 60 °C
Depolama sıcaklığı	-20 °C ... 70 °C



5.1 Teknik veriler

Mil uzunluğu	22 mm
İşletim sırasındaki ortam sıcaklığı	-17 °C ... 60 °C
Depolama sıcaklığı	-20 °C ... 70 °C

5.2 Akü

Akü çalışma gerilimi	21,6 V
İşletim sırasındaki ortam sıcaklığı	-17 °C ... 60 °C
Depolama sıcaklığı	-20 °C ... 40 °C
Şarj başlangıcında akü sıcaklığı	-10 °C ... 45 °C

5.3 EN 60745 uyarınca ses bilgisi ve titreşim değerleri

Bu talimatlarda belirtilen ses basıncı ve titreşim değerleri, ilgili normlara uygun bir ölçüm metodu ile ölçülmüştür ve elektrikli el aletlerinin birbirleri ile karşılaştırılması için kullanılabilir. Zorlanmaların geçici olarak değerlendirilmesine de uygundur.

Belirtilen değerler, elektrikli el aletinin ana kullanım alanlarını temsil eder. Elektrikli el aletinin, farklı ek aletlerle veya yetersiz bakım yapılmış şekilde kullanılması durumunda, veriler sapma gösterebilir. Bu durum, toplam çalışma süresi boyunca zorlanmayı belirgin şekilde yükseltebilir.

Doğru bir zorlanma değerlendirmesi için aletin kapatıldığı veya çalışır konumda olduğu ve ayrıca kullanımda olmadığı zamanlar da dikkate alınmalıdır. Bu durum, toplam çalışma süresi boyunca zorlanmayı belirgin şekilde azaltabilir.

Kullanıcıyı ses ve/veya titreşimin etkilerinden koruyacak ek güvenlik önlemleri belirleyiniz, örneğin: Elektrikli el aletinin ve ek aletlerin bakımının yapılması, ellerin sıcak tutulması, iş akışlarının düzenlenmesi.

AG 4S-A22-125

Ses bilgileri

Emisyon ses basıncı seviyesi (L_{pA})	81,5 dB(A)
Emniyetsizlik ses basıncı seviyesi (K_{pA})	3 dB(A)
Ses gücü seviyesi (L_{WA})	92,5 dB(A)
Ses gücü seviyesi için emniyetsizlik (K_{WA})	3 dB(A)

Vibrasyon bilgileri

Kesme gibi diğer kullanımlar farklı vibrasyon değerlerine neden olabilir.

Vibrasyonu azaltılmış tutamaklı üst yüzey taşıma ($a_{h,AG}$)	4,7 m/sn ²
Vibrasyonu azaltılmış tutamaklı zımpara kağıdı ile taşıma ($a_{h,DS}$)	5,3 m/sn ²
Emniyetsizlik (K)	1,5 m/sn ²

6 Çalıştırma

6.1 Akünün şarj edilmesi

1. Şarj etmeden önce şarj cihazının kullanım kılavuzunu okuyunuz.
2. Akü ve şarj cihazının kontaklarının temiz ve kuru olmasına dikkat ediniz.
3. Aküyü izin verilen şarj cihazında şarj ediniz.

6.2 Akünün yerleştirilmesi

⚠ DİKKAT

Yaralanma tehlikesi kısa devre veya akünün düşmesi nedeniyle!

- ▶ Aküyü yerleştirmeden önce, akü kontaklarında ve ürün içindeki kontaklarda yabancı cisim bulunmadığından emin olunuz.
- ▶ Akünün her zaman tam oturduğundan emin olunuz.

1. İlk kullanım öncesinde akü tamamen şarj edilmelidir.
2. Aküyü, duyulur şekilde yerine oturana kadar cihaz tutucusuna bastırınız.



2233926

Türkçe

195

3. Akünün alette emniyetli bir şekilde yerleşip yerleşmediğini kontrol ediniz.

6.3 Akünün çıkartılması

1. Akünün kilit açma tuşlarına basınız.
2. Aküyü alet tutucudan çekiniz.

6.4 Yan tutamağın takılması

- ▶ Yan tutamağı öngörülen dişli kovana vidalayınız.

6.5 Koruma başlığının takılması veya sökülmesi

DİKKAT

Yaralanma tehlikesi. Ek alet sıcak veya keskin kenarlı olabilir.

- ▶ Takma, sökme, ayar çalışmaları ve arıza giderme sırasında koruyucu eldiven takınız.

- ▶ İlgili koruma başlığının montaj kılavuzuna dikkat ediniz.

6.5.1 Standart koruma başlığının monte edilmesi



Koruma başlığı, yalnızca bir aletin ilgili koruma başlığına takılmasını garantilemek için bir kodlama noktasına sahiptir. Koruma başlığı, aletin başlık takma yuvasındaki kodlama noktasıyla çalışır.

1. Koruma başlığını, koruma başlığındaki ve alettaki her iki üçgen işaret karşı karşıya gelecek biçimde mil halkasına takınız.
2. Koruma başlığını mil halkasına bastırınız.
3. Muhafaza kilit açma düğmesine basınız, koruma başlığını istenen konumda yuvasına oturtana kadar bastırınız.
 - ↳ Başlık açma düğmesi geri atar.

6.5.2 Standart koruma başlığının ayarlanması

- ▶ Muhafaza kilit açma düğmesine basınız, koruma başlığını istenen konumda yuvasına oturtana kadar bastırınız.

6.5.3 Standart koruma başlığını sökülmesi

1. Koruma başlığı kilit açma düğmesine bastırınız ve alettaki ve koruma başlığındaki her iki üçgen işaret birbirinin karşısına gelinceye kadar koruma başlığını döndürünüz.
2. Koruma başlığını çıkarınız.

6.6 Ön kapağın takılması veya sökülmesi



Ön kapak ile çalışılacaksa ön kapak koruma başlığına takılmalıdır.

1. Ön kapağı, kapalı tarafı standart koruma başlığına gelecek biçimde, kilit yerine oturtana kadar bastırınız.
2. Sökmek için ön kapağın kilidini açınız ve bunu standart koruma başlığından çıkarınız.

6.7 Ek aletin takılması veya sökülmesi

İKAZ

Yaralanma tehlikesi. Alet motorunun frenlenmesi sırasında ek alet gevşeyebilir.

- ▶ Ek alete veya germe somununa dokunmadan önce ek aletin tamamen durmasını bekleyiniz.
- ▶ Ek aleti ve sıkma flanşını germe somunu ile sıkıca gererek alet motoru frenlendiğinde parçaların mil bağlantısının gevşememesini sağlayınız.

DİKKAT

Yaralanma tehlikesi. Ek alet sıcak olabilir.

- ▶ Ek aleti değiştirirken koruyucu eldiven takınız.





Elmas bıçaklar, kesme ve taşlama performanslarında belirgin düşüşler görüldüğünde değiştirilmelidir. Genellikle elmas bölümlerin yüksekliği 2 mm altına düştüğünde böyle bir durumdan söz edilebilir.

Diğer disk tipleri, kesme performansında belirgin düşüşler görülmesi veya açılı taşıyıcı parçalarının (disk dışında) çalışma sırasında çalışılan malzemeye temas etmesi halinde değiştirilmelidir.

Aşındırıcı diskler kullanım süreleri dolduğunda değiştirilmelidir.

6.7.1 Ek aletin takılması

1. Aküyü çıkarınız. → Sayfa 196
2. Sıkma flanşındaki o-ringin mevcut ve hasarsız olup olmadığını kontrol ediniz.

Sonuç

O-Ring hasarlı.

Sıkma flanşında o-ring yok.

► O-ringli yeni bir sıkma flanşı takınız.

3. Sıkma flanşını şekle uygun olacak ve dönmeyecek konumda mile oturtunuz.
4. Ek aleti yerleştiriniz.
5. Germe somununu yerleştirilen ek alete uygun olarak sabitleyiniz.
6. Mil ayarlama düğmesine basınız ve basılı tutunuz.
7. Sıkma anahtarı ile germe somununu sıkınız, ardından mil kilitleme düğmesini serbest bırakınız ve sıkma anahtarını çıkartınız.

6.7.2 Ek aletin sökülmesi

1. Aküyü çıkarınız. → Sayfa 196

DİKKAT

Kırılma ve zarar görme tehlikesi. Mil dönerken mil kilitleme düğmesine basılığında, ek alet gevşeyebilir.

- Mil kilitleme düğmesine sadece mil dururken basınız.
2. Mil ayarlama düğmesine basınız ve basılı tutunuz.
 3. Germe somununu yerleştirip saat yönünün tersinde döndürerek hızlı bağlantı somununu sökünüz.
 4. Mil kilitleme düğmesini serbest bırakınız ve ek aleti çıkarınız.

6.7.3 Kwik lock hızlı bağlantı somunlu ek aletin takılması

DİKKAT

Kırılma tehlikesi. Çok fazla aşınma durumunda **Kwik lock** hızlı bağlantı somunu kırılabilir.

- Çalışırken **Kwik lock** hızlı bağlantı somununun zemin ile temas etmemesine dikkat ediniz.
- Hasarlı hızlı bağlantı somunu **Kwik lock** kullanmayınız.



Germe somunu yerine opsiyonel olarak **Kwik lock** hızlı bağlantı somunu kullanılabilir. Böylece ek aletler ilave takım kullanılmadan değiştirilebilir.

1. Aküyü çıkarınız. → Sayfa 196
2. Sıkma flanşındaki o-ringin mevcut ve hasarsız olup olmadığını kontrol ediniz.

Sonuç

O-ring hasarlı.

Sıkma flanşında o-ring yok.

► O-ringli yeni bir sıkma flanşı takınız.

3. Sıkma flanşını ve hızlı bağlantı somununu temizleyiniz.
4. Sıkma flanşını mile oturtunuz.
5. Ek aleti yerleştiriniz.
6. Ek alet üzerindeki yerine tamamen oturana kadar **Kwik lock** hızlı bağlantı somununu sıkınız.
 - **Kwik lock** etiketi, vidalanmış durumdayken görünür olmalıdır.
7. Mil ayarlama düğmesine basınız ve basılı tutunuz.
8. **Kwik lock** hızlı bağlantı somunu sıkılıncaya kadar ek aleti elinizle güçlü biçimde saat yönünde çeviriniz ve sonra mil kilitleme düğmesini serbest bırakınız.



6.7.4 Kwik lock hızlı germe somunlu ek aletin sökülmesi

1. Aküyü çıkarınız. → Sayfa 196

⚠ DİKKAT

Kırılma ve zarar görme tehlikesi. Mil dönerken mil kilitleme düğmesine basılığında, ek alet gevşeyebilir.

► Mil kilitleme düğmesine sadece mil dururken basınız.

2. Mil ayarlama düğmesine basınız ve basılı tutunuz.

3. Hızlı germe somununu elle saat yönünün tersinde döndürerek **Kwik lock** hızlı germe somununu sökünüz.

4. **Kwik lock** hızlı germe somunu elle sökülemiyorsa bir sıkma anahtarını hızlı germe somununa yerleştiriniz ve saat yönünün tersinde döndürünüz.



Kwik lock hızlı germe somununun hasar görmemesi için asla bir boru anahtarı kullanmayınız.

5. Mil kilitleme düğmesini serbest bırakınız ve ek aleti çıkarınız.

6.7.5 Karot ucunun monte edilmesi 10

1. Aküyü çıkarınız. → Sayfa 196

2. Yan tutamağı takınız. → Sayfa 196

3. Standart koruma başlığını monte ediniz.

4. Karot ucunu yerleştiriniz ve bunu elle sıkınız.

5. Mil ayarlama düğmesine basınız ve basılı tutunuz.

6. Karot ucunu uygun bir çatal anahtar ile sıkınız.

7. Ardından mil kilitleme düğmesini serbest bırakınız ve çatal anahtarı çıkartınız.

6.7.6 Tel fırçanın monte edilmesi 11

1. Aküyü çıkarınız. → Sayfa 196

2. Yan tutamağı takınız. → Sayfa 196

3. Standart koruma başlığını monte ediniz.

4. Tel fırçayı yerleştiriniz ve bunu elle sıkınız.

5. Mil ayarlama düğmesine basınız ve basılı tutunuz.

6. Tel fırçayı uygun bir çatal anahtar ile sıkınız.

7. Ardından mil kilitleme düğmesini serbest bırakınız ve çatal anahtarı çıkartınız.

6.7.7 Fiber diskin monte edilmesi 12

1. Aküyü çıkarınız. → Sayfa 196

2. Yan tutamağı takınız. → Sayfa 196

3. Standart koruma başlığını monte ediniz.

4. Destek plakası ve fiber diski yerleştiriniz ve germe somununu sıkınız.

5. Mil ayarlama düğmesine basınız ve basılı tutunuz.

6. Germe somununu sıkma anahtarı ile sıkınız.

7. Ardından mil kilitleme düğmesini serbest bırakınız ve sıkma anahtarını çıkartınız.

7 Kullanım**7.1 Açılması**

1. Açma / Kapama şalterinin arka bölümüne basınız.

2. Kumanda şalterini öne doğru itiniz.

↳ Motor çalışıyor.

3. Açma / Kapama şalterine basınız.

7.2 Taşlama**⚠ DİKKAT**

Yaralanma tehlikesi. Ek alet aniden bloke olabilir veya takılabilir.

► Aleti her zaman yan tutamak ile kullanınız ve aleti her iki elinizle sabit tutunuz.



7.3 Kesici taşlama

- ▶ Taşlayarak kesme sırasında orta besleme gücüyle çalışınız ve aletin veya kesici taşlama diskinin uçlarının kıvrılmamasına dikkat ediniz (çalışma konumu ile kesme yüzeyi arasındaki açı yakl. 90°).



Kesici taşlama diskinin en küçük kesitlere yerleştirilmesi, profillerin ve dört köşe boruların ayrılması en uygun yoldur.

7.4 Kaba zımparalama



DİKKAT

Yaralanma tehlikesi. Kesici taşlama diski patlayabilir ve fırlayan parçalar yaralanmalara neden olabilir.

- ▶ Kaba zımparalama için asla kesici taşlama diskleri kullanmayınız.
- ▶ Aleti, 5° ile 30° arasında bir yerleştirme açısıyla ve ölçülü bir basınçla ileri-geri hareket ettiriniz.
 - ↳ İş parçası çok ısınmaz, renk değiştirmez ve kanal oluşmaz.

7.5 Kapatılması

- ▶ Açma / Kapama şalterinin arka bölümüne basınız.
 - ↳ Kumanda şalteri kapalı konumuna geçer ve motor durur.

8 Bakım ve onarım



İKAZ

Takılı aküden dolayı yaralanma tehlikesi !

- ▶ Tüm bakım ve onarım çalışmalarından önce her zaman aküyü çıkarınız!

Alet bakımı

- Yapışmış olan kir dikkatlice çıkarılmalıdır.
- Toz filtresini çıkartınız ve temiz bir fırça ile hava deliklerini dikkatli bir şekilde temizleyiniz.
- Gövde sadece hafif nemli bir bezle temizlenmelidir. Plastik parçalara yapışabileceğinden silikon içerikli bakım maddeleri kullanılmamalıdır.

Lityum İyon akülerin bakımı

- Akü temiz ve yağ ve gresten uzak tutulmalıdır.
- Gövde sadece hafif nemli bir bezle temizlenmelidir. Plastik parçalara yapışabileceğinden silikon içerikli bakım maddeleri kullanılmamalıdır.
- Aletin içine nem girişi engellenmelidir.

Bakım

- Görünür tüm parçalarda hasar olup olmadığı ve kumanda elemanlarının sorunsuz şekilde çalıştığı kontrol edilmelidir.
- Hasar ve/veya fonksiyon arızaları durumunda ürün çalıştırılmamalıdır. Derhal **Hilti** servisi tarafından onarılmalıdır.
- Bakım ve onarım çalışmalarından sonra tüm koruma tertibatları yerleştirilmeli ve fonksiyonları kontrol edilmelidir.



Güvenli çalışma için sadece orijinal yedek parçalar ve sarf malzemeleri kullanınız. Tarafımızdan onaylanmış, yedek parçaları, aksesuarları ve sarf malzemelerini **Hilti Store** veya adresinde bulabilirsiniz. www.hilti.group.

9 Akü aletlerinin taşınması ve depolanması

Taşıma



DİKKAT

Taşıma sırasında aletin istem dışı çalışması !

- ▶ Ürünlerinizi her zaman aküler takılı olmadan taşıyınız!
- ▶ Akülerin çıkarılması.



2233926

Türkçe

199

- ▶ Aküler kesinlikle sıkıca bağlanmamış koruma ile taşınmalıdır.
- ▶ Uzun süren depolama sonrası kullanmadan önce aletin ve akülerin hasar görmüş olup olmadığını kontrol ediniz.

Depolama

⚠ DİKKAT

Arızalı veya akan aküler nedeniyle beklenmeyen hasar oluşumu !

- ▶ Ürünlerinizi her zaman aküleri yerleştirmeden depolayınız!
- ▶ Aleti ve aküleri mümkün olduğunca soğuk ve kuru yerde depolayınız.
- ▶ Aküleri kesinlikle güneşte, sıcakta veya cam levhaların arkasında depolamayınız.
- ▶ Aleti ve aküleri çocukların ve yetki verilmeyen kişilerin ulaşamayacağı yerlerde depolayınız.
- ▶ Uzun süren depolama sonrası kullanmadan önce aletin ve akülerin hasar görmüş olup olmadığını kontrol ediniz.

10 Arıza durumunda yardım

Bu tabloda listelenmemiş veya kendi başınıza gideremediğiniz arızalarda lütfen yetkili **Hilti** servisimiz ile irtibat kurunuz.

10.1 Hata arama


Arıza	Olası sebepler	Çözüm
Akü normalden daha hızlı boşalıyor.	Çok düşük ortam sıcaklığı.	▶ Aküyü yavaşça oda sıcaklığına ulaşacak biçimde ısınmaya bırakınız.
Akü duyulabilir bir "klik" sesi ile yerine oturmuyor.	Akünün kilit tırnakları kirlenmiş.	▶ Kilit tırnaklarını temizleyiniz ve aküyü yeniden yerine oturtunuz.
1 LED yanıp sönüyor. Alet çalışmıyor.	Akü deşarj olmuş. Akü çok sıcak veya çok soğuk.	▶ Aküyü değiştiriniz ve boş aküyü şarj ediniz. ▶ Aküyü yavaşça oda sıcaklığına ulaşacak biçimde ısınmaya veya soğumaya bırakınız.
4 LED'in tümü yanıp söner. Alet çalışmıyor.	Alet aşırı yüklenmiş.	▶ Kumanda şalterini bırakınız ve şaltlere sonra yeniden basınız. Aleti yaklaşık 30 saniye rölati devir hızında çalıştırınız.
Açılı taşıyıcıda veya aküde yoğun ısı oluşması.	Elektrik arızası	▶ Aleti hemen kapatınız, aküyü çıkartınız, gözleyiniz, soğumaya bırakınız ve Hilti servisi ile irtibat kurunuz.
Alet, tam güce sahip değil.	Daha düşük kapasiteli bir akü yerleştirildi.	▶ Yeterli kapasiteye sahip bir akü kullanınız.
Motorda frenleme fonksiyonu yok.	Akü deşarj olmuş. Alet kısa süreli olarak aşırı yüklenmiş.	▶ Aküyü değiştiriniz ve boş aküyü şarj ediniz. ▶ Aleti kapatınız ve tekrar açınız.

11 RoHS (Tehlikeli madde kullanımını kısıtlama direktifi)

Aşağıdaki linkte tehlikeli maddeler tablosunu bulabilirsiniz: qr.hilti.com/r9884540.

RoHS tablosunun linkini bu dokümanın sonunda QR kodu olarak bulabilirsiniz.

12 İmha

 **Hilti** aletleri yüksek oranda geri dönüşümlü malzemelerden üretilmiştir. Geri dönüşüm için gerekli koşul, usulüne uygun malzeme ayırımıdır. Çoğu ülkede **Hilti**, eski aletlerini yeniden değerlendirmek üzere geri alır. Bu konuda **Hilti** müşteri hizmetlerinden veya satış temsilcilerinizden bilgi alabilirsiniz.



Akülerin imha edilmesi

Akülerin usulüne uygun imha edilmemesi halinde, dışarı çıkan gaz ve sıvılar nedeniyle sağlık sorunları oluşabilir.

- ▶ Hasar görmüş aküleri hiç bir şekilde göndermeyiniz!
- ▶ Kısa devreleri önlemek için, akünün bağlantılarını iletken olmayan bir malzeme ile kapatınız.
- ▶ Aküleri, çocukların ellerine geçmeyecek şekilde imha ediniz.
- ▶ Aküyü size en yakın **Hilti Store**'da imha ediniz veya imha etmek için yetkili şirketinize başvurunuz.



- ▶ Elektrikli el aletlerini, elektronik cihazları ve aküleri evdeki çöplere atmayınız!

13 Üretici garantisi

- ▶ Garanti koşullarına ilişkin sorularınız için lütfen yerel **Hilti** iş ortağınıza başvurunuz.



2233926

1.1 حول هذا المستند

- اقرأ هذه المستندات بالكامل قبل التشغيل. يعتبر هذا شرطاً للعمل بشكل آمن والاستخدام بدون اختلالات.
- تراعى إرشادات الأمان والإرشادات التحذيرية الواردة في هذا المستند وعلى الجهاز.
- احتفظ بدليل الاستعمال دائماً مع المنتج، ولا تعطي الجهاز لآخرين إلا مرفقاً بهذا الدليل.

2.1 شرح العلامات

1.2.1 إرشادات تحذيرية

تنبه الإرشادات التحذيرية إلى الأخطار الناشئة عند التعامل مع الجهاز. يتم استخدام الكلمات الدلالية التالية:



خطر

خطر!

تشير لخطر مباشر يؤدي لإصابات جسدية خطيرة أو إلى الوفاة.



تحذير

تحذير!

تشير لخطر محتمل قد يؤدي لإصابات جسدية خطيرة أو إلى الوفاة.



احترس

احترس!

تشير لموقف خطر محتمل يمكن أن يؤدي لإصابات جسدية خفيفة أو أضرار مادية.

2.2.1 الرموز في المستند

يتم استخدام الرموز التالية في هذا المستند:

قبل الاستخدام اقرأ دليل الاستعمال	
إرشادات الاستخدام ومعلومات أخرى مفيدة	
التعامل مع مواد قابلة لإعادة التدوير	
لا تتخلص من الأجهزة الكهربائية البطاريات ضمن القمامة المنزلية	

3.2.1 الرموز في الصور

تستخدم الرموز التالية في الرسوم التوضيحية:

تشير هذه الأعداد إلى الصور المعنية بمطلع هذا الدليل	
ترقيم الصور يمثل ترتيب خطوات العمل في الصور، وقد يختلف عن ترقيم خطوات العمل في النص	3
يتم استخدام أرقام المواضع في صورة العرض العام وهي تشير إلى أرقام تعليق الصورة في فصل عرض عام للمنتج	
ينبغي أن تسترعي هذه العلامة اهتماماً خاصاً عند التعامل مع المنتج.	

3.1 الرموز المرتبطة بالمنتج

1.3.1 الرموز على المنتج

يتم استخدام الرموز التالية على المنتج:

استخدم نظارة واقية للعينين	
----------------------------	--



عدد اللفات الاسمي	n
عدد اللفات في الدقيقة	/min
عدد اللفات في الدقيقة	PPM
القطر	Ø
تيار مستمر	===
نقل البيانات لاسلكياً	
بطارية أيونات الليثيوم	Li-Ion
بطاريات أيونات الليثيوم Hilti المستخدمة من النوع. احرص على مراعاة التعليمات الواردة في الفصل الاستخدام المطابق للتعليمات.	

4.1 معلومات المنتج

منتجات **HILTI** مصممة للمستخدمين المحترفين ويقصر استعمالها وصيانتها وإصلاحها على الأشخاص المعتمدين والمدربين جيداً. هؤلاء الأشخاص يجب أن يكونوا قد تلقوا تدريباً خاصاً على الأخطار الطارئة. قد يتسبب الجواز وأدواته المساعدة في حدوث أخطار إذا تم التعامل معها بشكل غير سليم فنياً من قبل أشخاص غير مدربين أو تم استخدامها بشكل غير مطابق للتعليمات.

يوجد مسمى الطراز والرقم المسلسل على لوحة الصنع.

◀ نقل الرقم المسلسل في الجدول التالي. ستحتاج إلى بيانات المنتج في حالة الاستفسارات الموجبة إلى ممثلينا أو مركز الخدمة.

بيانات المنتج

المجلدة الزاوية	AG 4S-A22
الجيل	01
الرقم المسلسل	

5.1 بيان المطابقة

نقر على مسؤوليتنا الفردية بأن المنتج المشروع هنا متوافق مع التشريعات والمواصفات المعمول بها. تجد صورة لبيان المطابقة في نهاية هذا المستند.

المستندات الفنية محفوظة هنا:

Hilti Entwicklungsgesellschaft mbH | Zulassung Geräte | Hiltistraße 6 | 86916 Kaufering, DE

2 السلامة

1.2 إرشادات السلامة

1.1.2 إرشادات السلامة العامة المتعلقة بالأدوات الكهربائية

⚠ تحذير احرص على قراءة جميع إرشادات السلامة، التوجيهات، الصور التوضيحية والمواصفات الفنية المرفقة مع هذه الأداة الكهربائية. أي تقصير أو إهمال في الالتزام بالتعليمات التالية قد يتسبب في حدوث صقع كهربائي، نشوب حريق و/أو وقوع إصابات خطيرة.

احتفظ بجميع مستندات إرشادات السلامة والتعليمات لاستخدامها عند الحاجة إليها فيما بعد. يقصد بمصطلح «الأداة الكهربائية» المذكور في إرشادات السلامة الأدوات الكهربائية المشغلة بالكهرباء (باستخدام كابل الكهرباء) أو الأدوات الكهربائية المشغلة بالبطاريات (بدون كابل الكهرباء).

سلامة مكان العمل

- ◀ حافظ على نطاق عملك نظيفاً ومضاءً بشكل جيد. الفوضى أو أماكن العمل غير المضاءة يمكن أن تؤدي لوقوع حوادث.
- ◀ لا تعمل بالأداة الكهربائية في محيط معرض لخطر الانفجار يتواجد به سوائل أو غازات أو أنواع غبار قابلة للاشتعال. الأدوات الكهربائية تولد شرراً يمكن أن يؤدي لإشعال الغبار والأبخرة.



2233926

◀ احرص على إبعاد الأطفال والأشخاص الآخرين أثناء استخدام الأداة الكهربائية. في حالة انصراف انتباهك قد تفقد السيطرة على الجهاز.

السلامة الكهربائية

- ◀ يجب أن يكون قابس توصيل الأداة الكهربائية متلائماً مع المقبس. لا يجوز تعديل القابس بأي حال من الأحوال. لا تستخدم قوايس مهايأة مع أدوات كهربائية ذات وصلة أرضي محمية. القوايس غير المعدلة والمقابس الملائمة تقلل من خطر حدوث صدمة كهربائية.
- ◀ تجنب حدوث تلامس للجسم مع أسطح مؤرضة مثل الأسطح الفاضة بالمواسير وأجهزة التدفئة والمواقف والثلاجات. ينشأ خطر متزايد من حدوث صدمة كهربائية عندما يكون جسمك متصلاً بالأرض.
- ◀ أبعد الأدوات الكهربائية عن الأمطار أو البلل. تسرب الماء إلى داخل الأداة الكهربائية يزيد من خطر حدوث صدمة كهربائية.
- ◀ لا تستخدم كابل التوصيل لحمل الأداة الكهربائية أو تعليقها أو لسحب القابس من المقبس. احتفظ بكابل التوصيل بعيداً عن السخونة والزيت والمواد والأجزاء المتحركة. كابلات التوصيل التالفة أو المتشابهة تزيد من خطر حدوث صعق كهربائي.
- ◀ عندما تعمل بأداة كهربائية في مكان مكشوف، فلا تستخدم سوى كابلات الإطالة المناسبة للعمل في النطاق الخارجي. استخدام كابل إطالة مناسب للعمل في النطاق الخارجي يقلل من خطر حدوث صعق كهربائي.
- ◀ إذا تعذر تجنب تشغيل الأداة الكهربائية في محيط رطب، فاستخدم مفتاح حماية من تسرب التيار. استخدام مفتاح الحماية من تسرب التيار يقلل خطر حدوث صدمة كهربائية.

سلامة الأشخاص

- ◀ كن يقظاً وانتبه لما تفعل وتعامل مع الأداة الكهربائية بتعقل عند العمل بها. لا تستخدم الأداة الكهربائية عندما تكون متعباً أو تحت تأثير المخدرات أو الكحوليات أو العقاقير. فقد يتسبب عدم الانتباه للحظة واحدة أثناء الاستخدام في حدوث إصابات بالغة.
- ◀ ارتد تجهيزات وقاية شخصية وارتد دائماً نظارة واقية. ارتداء تجهيزات وقاية شخصية، مثل قناع الوقاية من الغبار وأخذية الأمان المضادة للانزلاق وخوذة الوقاية أو واقى السمع، تبعا لنوع واستخدام الأداة الكهربائية، يقلل من خطر الإصابات.
- ◀ تجنب التشغيل بشكل غير مقصود. تأكد أن الأداة الكهربائية مطفأة قبل توصيلها بالكهرباء و/أو بالبطارية وقبل رفعها أو حملها. إذا كان إصبعك على المفتاح عند حمل الأداة الكهربائية أو كان الجهاز في وضع التشغيل عند التوصيل بالكهرباء، فقد يؤدي ذلك لوقوع حوادث.
- ◀ أبعد أدوات الضبط أو مفاتيح ربط البراغي قبل تشغيل الأداة الكهربائية. الأداة أو المفتاح المتواجد في جزء دوار من الجهاز يمكن أن يؤدي لحدوث إصابات.
- ◀ تجنب اتخاذ وضع غير طبيعي للجسم. احرص على أن تكون واقفاً بأمان وحافظ على توازنك في جميع الأوقات. من خلال ذلك تستطيع السيطرة على الأداة الكهربائية بشكل أفضل في المواقف المفاجئة.
- ◀ ارتد ملابس مناسبة. لا ترتد ملابس فضفاضة أو حلي. احرص على أن يكون الشعر والملابس والقفازات بعيدة عن الأجزاء المتحركة. الملابس الفضفاضة أو الحلي أو الشعر الطويل يمكن أن تشبك في الأجزاء المتحركة.
- ◀ إذا أمكن تركيب تجهيزات شفط وتجميع الغبار، فتأكد أنها موصلة ومستخدمة بشكل سليم. استخدام تجهيزة شفط الغبار يمكن أن يقلل الأخطار الناتجة عن الغبار.
- ◀ لا تعتقد بأنك في مأمن عن الخطر ولا تتجاهل تشريعات السلامة المعنية للأدوات الكهربائية، حتى وإن كنت على دراية بالأداة الكهربائية بعد تكرار استخدامها. التعامل مع الجهاز بدون حذر قد يؤدي إلى وقوع إصابات بالغة في جزء من الثانية.

استخدام الأداة الكهربائية والتعامل معها

- ◀ لا تفرط في التحميل على الجهاز. استخدم الأداة الكهربائية المناسبة للعمل الذي تقوم به. استخدام الأداة الكهربائية المناسبة يتبع لك العمل بشكل أفضل وأكثر أماناً في نطاق العمل المقرر.
- ◀ لا تستخدم أداة كهربائية ذات مفتاح تالف. الأداة الكهربائية التي لم يعد يمكن تشغيلها أو إطفائها تمثل خطورة ويجب إصلاحها.
- ◀ اسحب القابس من المقبس و/أو اخلع البطارية القابلة للخلع من الجهاز قبل إجراء عمليات الضبط، أو استبدال أجزاء الملحقات أو عند ترك الجهاز. هذا الإجراء الوقائي يمنع بدء تشغيل الأداة الكهربائية دون قصد.
- ◀ احتفظ بالأدوات الكهربائية غير المستخدمة بعيداً عن متناول الأطفال. لا تسمح باستخدام الجهاز من قبل أشخاص ليسوا على دراية به أو لم يقرأوا هذه التعليمات. الأدوات الكهربائية خطيرة في حالة استخدامها من قبل أشخاص ليست لديهم الخبرة الواجبة.



- ◀ اعتني جيدا بالأدوات الكهربائية والملحقات. اقمص الأجزاء المتحركة من حيث أداؤها لوظيفتها بدون مشاكل وعدم انحصارها وافحصها من حيث وجود أجزاء مكسورة أو متعرضة للضرر يمكن أن تؤثر سلبا على وظيفة الأداة الكهربائية. اعمل على إصلاح الأجزاء التالفة قبل استخدام الجهاز. الكثير من الحوادث مصدرها الأدوات الكهربائية التي تم صيانتها بشكل ردي.
- ◀ حافظ على أدوات القطع حادة ونظيفة. تتميز أدوات القطع ذات حواف القطع الحادة المعتنى بها بدقة بأنها أقل عرضة للتعثر وأسبل في التعامل.
- ◀ استخدم الأداة الكهربائية والملحقات وأدوات العمل وخلافه طبقا لهذه التعليمات. احرص في هذه الأثناء على مراعاة اشتراطات العمل والهمة المراد تنفيذها. استخدام الأدوات الكهربائية في تطبيقات غير تلك المقررة لها يمكن أن يؤدي لمواقف خطيرة.
- ◀ حافظ على المقابض ومواقع المسك في حالة جافة ونظيفة وخالية من الزيت والشحم. المقابض ومواقع المسك الانزلاقية تمول دون استعمال الأداة الكهربائية والتحكم بها بشكل آمن في المواقف غير المتوقعة.

استخدام الأداة العاملة بالبطارية والتعامل معها

- ◀ لا تشحن البطارية إلا في أجهزة شحن موصى بها من قبل الجبة الصانعة. بالنسبة لجهاز الشحن المناسب لنوع معين من البطاريات، ينشأ خطر الحريق عند استخدامه مع بطاريات أخرى.
- ◀ لا تضع في الأدوات الكهربائية سوى البطاريات المخصصة لها. استخدام بطاريات أخرى يمكن أن يؤدي لوقوع إصابات وخطر الحريق.
- ◀ أبعد البطارية غير المستخدمة عن مشابك الورق وقطع النقود المعدنية والمفاتيح والمسامير والبراغي أو الأشياء المعدنية الصغيرة الأخرى التي يمكن أن تتسبب في توصيل الملامسين لبعضهما. حدوث قفلة كهربائية بين أطراف توصيل البطارية يمكن أن ينتج عنه حدوث حروق أو نشوب حريق.
- ◀ عند الاستخدام بشكل خاطئ يمكن أن يتسرب سائل من البطارية. تجنب ملامسته. اشطفه بالماء في حالة ملامسته عن طريق الخطأ. إذا وصل السائل للعينين، فتوجه للطبيب علاوة على ذلك. سائل البطارية المتسرب يمكن أن يؤدي لتبيح البشرة أو حدوث حروق.
- ◀ لا تستخدم بطارية تالفة أو مختلفة. البطاريات التالفة أو المختلفة قد تتفاعل مع نفسها بشكل غير متوقع مما يؤدي لنشوب حريق أو حدوث انفجار أو وقوع إصابات.
- ◀ لا تعرض البطارية للنار أو لدرجات حرارة مرتفعة للغاية. حيث قد تؤدي النار ودرجات الحرارة الزائدة عن 130 °م (265 °ف) إلى حدوث انفجار.
- ◀ التزم بكافة التعليمات المعنية بالشحن، ولا تقم أبدا بشحن البطارية أو الأداة العاملة بالبطارية خارج نطاق درجة الحرارة الوارد ذكره في دليل التشغيل. الشحن بشكل خاطئ أو خارج نطاق درجة الحرارة المسموح به قد يتلف البطارية ويزيد من خطر الحريق.

الخدمة

- ◀ اعمل على إصلاح أداتك الكهربائية على أيدي فنيين معتمدين فقط والاقصرار على استخدام قطع الغيار الأصلية. وبذلك تتأكد من الحفاظ على سلامة الجهاز.
- ◀ لا تقم أبدا بصيانة البطاريات التالفة. يجب أن تتم جميع أعمال الصيانة بمعرفة الجبة الصانعة فقط أو من خلال مراكز خدمة العملاء المعتمدين.

2.1.2 إرشادات السلامة العامة المتعلقة بأعمال التجليخ والتجليخ بألواح السفررة الورقية والعمل بالفرشاة السلكية والتلميع والقطع السحجي:

- ◀ تستخدم هذه الأداة الكهربائية كمجلمة ومجلمة بالسفررة وفرشاة سلكية ومجلمة قطع. احرص على مراعاة جميع إرشادات السلامة والتعليمات والرسومات والبيانات المرفقة مع الجهاز. وإذا لم تراعى التعليمات التالية، فمن الممكن أن تحدث صدمة كهربائية أو ينشب حريق و/أو تتعرض لإصابات بالغة.
- ◀ هذه الأداة الكهربائية لا تصلح للتلميع. ويراعى أن استخدام الأداة الكهربائية في استخدامات غير مخصصة لها يمكن أن يتسبب في التعرض لأخطار وإصابات.
- ◀ لا تستخدم ملحق لم تقم الجبة الصانعة بإقراره والتوصية باستخدامه خصيصا لهذه الأداة الكهربائية. وليس معنى تمكنك من تثبيت الملحق بأداتك الكهربائية ضمان استخدامه بشكل آمن.
- ◀ يجب ألا يقل عدد اللفات المسموح به لأداة الشغل عن عدد اللفات الأقصى المدون على الأداة الكهربائية. فالملحق الذي يدور بسرعة أكبر من السرعة المسموح بها يمكن أن ينكسر ويتطاير في النطاق المحيط.
- ◀ يجب أن يتطابق القطر الخارجي والسمك لأداة الشغل مع مقاسات الأداة الكهربائية الخاصة بك. حيث إن أدوات الشغل ذات المقاسات الخاطئة لا يمكن تأمينها بشكل كاف أو السيطرة عليها.
- ◀ أدوات الشغل ذات الوليجة اللولبية يجب أن تناسب لولب بريمة التجليخ تماما. في حالة أدوات الشغل التي يتم تركيبها بواسطة فلانشة يجب أن يناسب قطر ثقب أداة الشغل قطر مميت الفلانشة.



أدوات الشغل غير المثبتة بشكل مضبوط في الأداة الكهربائية تدور بشكل غير متوازن وتبتز بقوة وقد تتسبب في فقدان السيطرة.

- ◀ لا تستخدم أدوات شغل تالفة. افحص أدوات الشغل قبل كل استخدام، مثلا أسطوانات التجليغ من حيث وجود تصدعات وتشققات، ومحمون التجليغ من حيث وجود تشققات أو بري أو تاكل شديد، والفرشات السلكية من حيث وجود أسلاك سائبة أو مكسورة. إذا تعرضت الأداة الكهربائية أو أداة الشغل للسقوط، فتأكد من عدم حدوث أية أضرار أو استخدام أداة شغل ليست بها أضرار. بعد أن تقوم بفحص أداة الشغل وتركيبها بالتأكد أنت والأشخاص الموجودين بالقرب من الجهاز عن نطاق دوران أداة الشغل ودع الجهاز يدور بأقصى عدد لفات لمدة دقيقة واحدة. وغالبا ما تنكسر أدوات الشغل المتضررة خلال مدة الاختبار هذه.
- ◀ ارتد تجهيزات الحماية الشخصية. استعمل تبعا للأعمال التي يتم القيام بها قناعا واقيا للوجه بالكامل أو واقيا للعينين أو نظارة واقية. ويقدر الإمكان احرص على ارتداء كمامة واقية من الغبار أو واقية للأذنين أو قفازا واقيا أو منظرا خاصا يقيك من جزيئات التجليغ وجزيئات الغامت. ينبغي حماية العينين من الأجسام الغريبة المتطايرة التي تنتج في مختلف الاستخدامات. فمن شأن الكمامة الواقية من الغبار أو الكمامة الواقية للتنفس لفترة الغبار الناتج أثناء الاستخدام. إذا تعرضت لضوءا عالية لمدة طويلة يمكن أن تصاب بفقدان للسمع.
- ◀ في حالة وجود أشخاص آخرين احرص على تواجدهم على مسافة آمنة من نطاق عملك. ويجب على كل من يدخل في نطاق عملك أن يرتدي تجهيزات الحماية الشخصية. فقد تتطاير شظايا من قطعة الشغل وأجزاء مكسورة من الأدوات المستخدمة وتتسبب في وقوع إصابات، حتى خارج نطاق عملك المباشر.
- ◀ عند إجراء أعمال يحتمل فيها أن تتلامس الأداة الكهربائية مع أسلاك كهربائية مخفية، فأمسك الأداة الكهربائية من مواضع المسك المعزولة فقط. حيث أن ملامسة سلك يسري فيه التيار الكهربائي يمكن أن ينقل الجهد الكهربائي للأجزاء المعدنية بالجهاز ويؤدي لحدوث صدمة كهربائية.
- ◀ أبعد كابل الكهرباء عن أدوات الشغل الدوارة. في حالة فقدان السيطرة على الجهاز يمكن أن ينقطع أو ينحصر كابل الكهرباء وتصل يدك أو ذراعك إلى أداة الشغل الدوارة.
- ◀ لا تضع الأداة الكهربائية أبدا على سطح ارتكاز قبل أن تتوقف أداة الشغل تماما. فأداة الشغل الدوارة يمكن أن تصل إلى سطح الارتكاز مما قد يتسبب في فقدان السيطرة على الأداة الكهربائية.
- ◀ لا تترك الأداة الكهربائية دائرة أثناء حملك لها. فمن الممكن أن تشترك ملابسك مع أداة الشغل الدوارة من خلال التلامس غير المتوقع ومن ثم تتسبب أداة الشغل في جروح غائرة بجسديك.
- ◀ قم بتنظيف فتحات التهوية بالأداة الكهربائية بصفة منتظمة. تسبب مروحة الموتور الغبار إلى جسم الجهاز، ويمكن أن يتسبب التراكم الشديد للغبار المعدني في حدوث أخطار كهربائية.
- ◀ لا تستخدم الأداة الكهربائية بالقرب من مواد قابلة للاشتعال. فالشرر يمكن أن يشعل هذه المواد.
- ◀ لا تستخدم أدوات شغل تتطلب استخدام سوائل تبريد معها. استخدام الماء أو أية سوائل تبريد أخرى يمكن أن يعرضك لصعقة كهربائية.

الحركة الارتدادية وإرشادات السلامة المعنية

الحركة الارتدادية هي رد فعل مفاجئ بسبب تعثر أو إعاقة أداة الشغل الدوارة، مثل أسطوانة التجليغ وصحن التجليغ والفرشاة السلكية وخلافه، حيث إن التعثر أو الإعاقة يؤدي إلى التوقف المفاجئ لأداة الشغل الدوارة. وبالتالي فإن الأداة الكهربائية غير المحكومة جيدا تزداد سرعتها في عكس اتجاه دوران أداة الشغل عند موضع الإعاقة.

فعلى سبيل المثال إذا تعثرت أسطوانة تجليغ بشيء ما أو تعرض لإعاقة في قطعة الشغل، يمكن أن تنحصر حافة أسطوانة التجليغ المتوغلة في قطعة الشغل مما يتسبب في انحراف أسطوانة التجليغ أو حدوث حركة ارتدادية. وعندئذ تتحرك أسطوانة التجليغ نحو المستخدم أو بعيدا عنه تبعا لاتجاه دوران الأسطوانة في موضع الإعاقة. ويمكن أيضا أن تنكسر أسطوانات التجليغ في تلك الأثناء.

تحدث الحركة الارتدادية نتيجة للاستخدام الخاطئ أو غير السليم للأداة الكهربائية. ويمكن تجنب حدوث ذلك من خلال اتباع إجراءات الوقاية المناسبة، كما سيتم شرحه فيما يلي.

- ◀ أمسك الأداة الكهربائية جيدا وحرص على أن يكون جسديك وذراعيك في وضع يمكنك من كبح القوى الارتدادية. استخدم دائما المقبض الإضافي في حالة وجوده، لتحقيق أقصى سيطرة ممكنة على القوى الارتدادية أو عزم رد الفعل أثناء الدوران السريع. ويستطيع المستخدم السيطرة على القوى الارتدادية ورد الفعل من خلال اتباع إجراءات الوقاية المناسبة.
- ◀ لا تضع يدك أبدا بالقرب من أدوات الشغل الدوارة. حيث يمكن أن تتحرك أداة الشغل على يدك في حالة حدوث حركة ارتدادية.
- ◀ أبعد جسديك عن نطاق حركة الأداة الكهربائية في حالة حدوث حركة ارتدادية. حيث إن الحركة الارتدادية تدفع الأداة الكهربائية في اتجاه معاكس لحركة أسطوانة التجليغ عند موضع الإعاقة.



- احرص على توخي الحذر الشديد عند العمل في نطاق الأركان والحواف المادة وخلافه، وتجنب تعرض أدوات الشغل للارتداد أو الانحصار من خلال قطعة الشغل. تميل أداة الشغل الدوارة إلى الانحصار عند العمل في الأركان أو الحواف المادة أو عندما ترتد. ويتسبب ذلك في فقدان السيطرة أو حدوث حركة ارتدادية.
- لا تستخدم شفرة منشار سلسلة أو مسننة. فمثل هذه الأدوات كثيرا ما تتسبب في حدوث حركة ارتدادية أو فقدان السيطرة على الأداة الكهربائية.

إرشادات السلامة الخاصة المتعلقة بالتجليخ والقطع السحجي:

- اقتصر على استخدام أدوات التجليخ المسموح بها لأداتك التجليخية والغطاء الواقي المخصص لأداة التجليخ هذه. أدوات التجليخ غير المقرر استخدامها مع هذه الأداة الكهربائية لا يمكن تأمينها بشكل كاف ومن ثم تصبح غير آمنة.
- أسطوانات التجليخ المائلة يجب تركيبها بحيث لا يبرز سطح التجليخ عن مستوى حافة غطاء الحماية. في حالة تركيب أسطوانة التجليخ بشكل غير صحيح، بحيث تبرز عن مستوى حافة غطاء الحماية فلا يمكن توفير الحماية بشكل كاف.
- يجب تركيب الغطاء الواقي على الأداة الكهربائية بإحكام كما يجب ضبطه ليوفر أقصى درجات السلامة، بحيث لا ينكشف للمستخدم إلا أصغر جزء ممكن من جسم التجليخ. يُسهم الغطاء الواقي في حماية المستخدم من الشظايا المتطايرة أو ملامسة جسم التجليخ بشكل غير مقصود وكذلك حمايته من الشر الذي يمكن أن يحرق ملابسه.
- يجوز استخدام أدوات التجليخ فقط لأغراض الاستخدام الموصى بها. مثل: لا تقم أبدا بالتجليخ باستخدام السطح الجانبي لأسطوانة قطع. فأسطوانات القطع مخصصة لقطع المواد باستخدام حافة الأسطوانة. ويمكن أن يؤدي تأثير القوى الجانبية الواقع على أداة التجليخ هذه إلى انكسارها.
- استخدم دائما فلانشة شد غير تالفة بالمقاس والشكل المناسب لأسطوانة التجليخ التي اخترتها. إذ أن الفلانشات المناسبة تدعم أسطوانة التجليخ وتقلل بذلك من خطر تعرض أسطوانة التجليخ للكسر. يمكن أن تختلف الفلانشات المخصصة لأسطوانات القطع عن الفلانشات المخصصة لأسطوانات التجليخ الأخرى.
- لا تستخدم أسطوانات التجليخ المستهلكة الخاصة بأدوات كهربائية كبيرة نسبيا. فأسطوانات التجليخ الخاصة بالأدوات الكهربائية الكبيرة نسبيا غير مصممة للعمل بعدد اللفات الأعلى للأدوات الكهربائية الصغيرة نسبيا ويمكن أن تنكسر.

المزيد من إرشادات السلامة الخاصة المتعلقة بالقطع السحجي:

- تجنب حدوث إعاقة لأسطوانة القطع أو الضغط على الجهاز بقوة زائدة للغاية. لا تقم بعمل قطوع غائرة بشكل زائد، حيث إن التحميل الزائد على أسطوانة القطع يزيد من درجة الإجهاد الواقع عليها ومن قابليتها للانحراف أو الإعاقة وبالتالي إمكانية حدوث حركة ارتدادية أو انكسار أداة التجليخ.
- تجنب النطاق الموجود أمام وخلف أسطوانة القطع الدوارة. إذا أبعدت أسطوانة القطع المتوغلة في قطعة الشغل، فمن الممكن في حالة حدوث حركة ارتدادية أن تنزلق الأداة الكهربائية مع الأسطوانة الدوارة نحو مباشرة.
- إذا تعرضت أسطوانة القطع للانحصار أو توقفت عن العمل، فأوقف الجهاز واحتفظ به في وضع متزن، إلى أن تتوقف الأسطوانة تماما. ولا تحاول أبدا سحب أسطوانة القطع المستمرة في الدوران من موضع القطع، وإلا فقد تحدث حركة ارتدادية. حدد سبب الانحصار وتغلب عليه.
- لا تقم بإعادة تشغيل الأداة الكهربائية طالما أنها موجودة في قطعة الشغل. احرص على أن تصل أسطوانة القطع إلى أقصى عدد لفات لها أولا قبل أن تواصل القطع بحرص، وإلا فمن الممكن أن تتعرض الأسطوانة بعائق ما وتندفع من قطعة الشغل أو تتسبب في حدوث حركة ارتدادية.
- قم بتدعيم الألواح أو قطع الشغل الكبيرة للحد من خطر حدوث حركة ارتدادية من جراء انحصار أسطوانة القطع. قطع الشغل الكبيرة يمكن أن تتعرض للانحناء بفعل وزنها الذاتي. يجب تدعيم قطعة الشغل على كلا جانبي الأسطوانة وكذلك بالقرب من موضع القطع والحافة.
- احرص على توخي الحذر الشديد عند عمل «قطوع غاطسة» في الجدران القائمة أو النطاقات الأخرى الكامنة. حيث يمكن أن تتسبب أسطوانة القطع المتوغلة في حدوث حركة ارتدادية عند القطع في مواسير الغاز أو المياه أو الوصلات الكهربائية أو الأجسام الأخرى.

إرشادات السلامة الخاصة المتعلقة بالتجليخ بألواح السنفرة الورقية:

- لا تستخدم ألواح سنفرة بأحجام كبيرة، بل احرص على اتباع تعليمات الجهة الصانعة بخصوص مقاس لوح السنفرة. فالألواح السنفرة التي تبرز عن ضمن التجليخ يمكن أن تتسبب في وقوع إصابات أو تؤدي إلى تعثرها أو انكسارها أو ارتدادها.



إرشادات السلامة الخاصة المتعلقة بالعمل بالفرشات السلكية:

- ◀ يراعى أن الفرشاة السلكية تفقد أيضا عددا من الأسلاك أثناء الاستخدام العادي. لا تقم بزيادة التحميل على الأسلاك من خلال الضغط على الجهاز بقوة زائدة للغاية. الأسلاك المتطايرة يمكن أن تخترق الملابس الرقيقة و/أو الجلد بسهولة.
- ◀ إذا كان استخدام غطاء واقٍ أمرا موصى به، فتجنب أية إمكانية لحدوث تلامس بين الغطاء الواقي والفرشاة السلكية. الفرشات الصحية والقديمة قد يزيد قطرها من خلال الضغط على الجهاز وقوى الطرد المركزي.

3.1.2 إرشادات إضافية للسلامة

سلامة الأشخاص

- ◀ اقتصر على استخدام المنتج وهو في حالة سليمة من الناحية الفنية.
- ◀ لا تقم أبدا بأية تدخلات أو تغييرات على الجهاز.
- ◀ تجنب ملامسة الأجزاء الدوارة - خطر الإصابة!
- ◀ ارتد قفازا واقيا أثناء تغيير الأدوات. ملامسة أداة الشغل قد تؤدي لوقوع إصابات بجروح قطعية وإصابة بحروق.
- ◀ احرص قبل بدء العمل على معرفة فئة خطر الغبار الناشئ عند إجراء العمل. استخدم شفاط غبار أعمال الإنشاءات ذي فئة حماية مصرح بها رسميا ومطابق للتعليمات المحلية الخاصة بالحماية من الغبار. الغبار الناتج عن خامات مثل الطلاء المحتوي على الرصاص وبعض أنواع الأخشاب والفرسانة/الجران والصخور المحتوية على الكوارتز والمعادن الصخرية والمعادن هو غبار ضار بالصحة.
- ◀ احرص على وجود تهوية جيدة لمكان العمل وارتد عند اللزوم قناع تنفس مخصص لنوعية الغبار المنبعث. ملامسته أو استنشاقه قد يسبب أعراض حساسية و/أو أمراض الجهاز التنفسي للمستخدم أو للأشخاص المتواجدين على مقربة منه. هناك أنواع معينة مسرطنة من الغبار مثل غبار خشب البلوط أو غبار خشب الزان، ولا سيما إذا ارتبطت هذه الأنواع بمواد إضافية لمعالجة الأخشاب (مثل الكروم ومواد حماية الأخشاب). لا يجوز التعامل مع المواد المحتوية على الأسبستوس إلا من قبل فنيين متخصصين.
- ◀ خذ قسطا من الراحة أثناء العمل وقم بتمارين استرخاء لسريان الدم في الأصابع بشكل أفضل. عند القيام بأعمال لفترات طويلة فقد يحدث اضطرابات في الأوعية الدموية أو الجهاز العصبي بسبب كثرة الاهتزازات على الأصابع، الأيدي أو معصم اليد.

السلامة الكهربائية

- ◀ قبل بدء الأعمال افحص نطاق العمل من حيث وجود توصيلات كهرباء مغطاة أو مواسير للغاز والماء. الأجزاء المعدنية الخارجية بالجهاز يمكن أن تتسبب في صدمة كهربائية، إذا قمت دون قصد بإتلاف إحدى توصيلات التيار.

الاستخدام والتعامل بعناية مع الأدوات الكهربائية

- ◀ لا تستخدم أبدا أسطوانات القطع السمجية للقيام بالتجليخ الخشن.
- ◀ أحكم ربط أداة الشغل والفلاشة. إذا لم يتم إحكام ربط أداة الشغل والفلاشة فمن المحتمل أن تنحل أداة الشغل من البريمة عند الكعب من خلال موتور الجهاز بعد الإيقاف.
- ◀ احرص على مراعاة تعليمات الجهة الصانعة بخصوص طريقة التعامل مع أسطوانات التجليخ وحفظها.

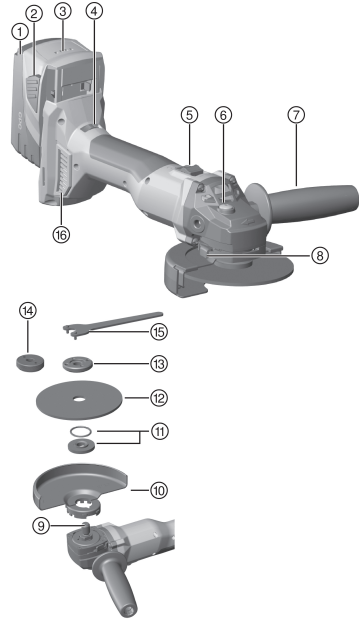
4.1.2 التعامل بعناية مع الأجهزة العاملة بالبطاريات واستخدامها

- ◀ تراعى التعليمات الخاصة لنقل وتخزين وتشغيل بطاريات أيونات الليثيوم.
- ◀ أبعد البطاريات عن النار ودرجات الحرارة المرتفعة وأشعة الشمس المباشرة.
- ◀ لا يجوز تفكيك البطاريات أو سحقها أو وضعها في درجة حرارة أعلى من 80°م أو حرقها.
- ◀ لا تستخدم أو تشحن البطاريات التي تعرضت لصدمة، أو سقطت من ارتفاع يزيد على متر أو تعرضت لأية أضرار أخرى. في هذه الحالة، تواصل دائما مع خدمة Hilti.
- ◀ في حالة السفونة الشديدة للبطارية بحيث يتعذر الإمساك بها، فقد تكون تالفة. ضع المنتج في مكان غير قابل للاشتعال وعلى مسافة كافية من الخامات القابلة للاشتعال، وحيث يمكن مراقبته، وأتركه حتى يبرد. في هذه الحالة، تواصل دائما مع خدمة Hilti.



1.3 نظرة عامة على المنتج 1

- ① البطارية
- ② زر تحرير البطارية
- ③ مبین حالة الشحن
- ④ التحكم في السرعة
- ⑤ مفتاح التشغيل/الإيقاف
- ⑥ زر تثبيت البريمة
- ⑦ المقبض الجانبي
- ⑧ زر تحرير الغطاء
- ⑨ بريمة
- ⑩ غطاء الحماية القياسي
- ⑪ فلانشة شد مع حلقة إحكام
- ⑫ أسطوانة القطع السحجي / أسطوانة التجلخ الخشن
- ⑬ صامولة شد
- ⑭ صامولة التثبيت السريع **Kwik lock** (تجهيز اختياري)
- ⑮ مفتاح شد
- ⑯ فلتر الغبار



2.3 الاستخدام المطابق للتعليمات

المنتج الموضع عبارة عن مجلخة زاوية تعمل بالبطارية وتستخدم باليد. وهو مخصص للقطع السحجي والتجلخ الخشن في الخامات المعدنية والحجرية والتنظيف بالفرشاة، للتجلخ بألوان السنفرة ولتق البلاط بشكل خاص دون استخدام الماء. لا يُسمح باستخدامه إلا في أعمال القطع/التجلخ على الجاف.

- لا يسمع بالقطع السحجي والتشقيب والتجلخ الخشن للخامات الحجرية إلا مع استخدام غطاء الحماية المناسب (يمكن الحصول عليه بشكل اختياري).
- عند التعامل مع مواضع الشغل الحجرية كالخرسانة أو الأحجار ينبغي استخدام غطاء شفط غبار متوائم مع شفاط غبار مناسب من Hilti.
- اقتصر على استخدام بطاريات أيونات الليثيوم Hilti من النوع B 22 مع هذا المنتج.
- اقتصر على استخدام أجهزة شحن Hilti من الفئة C4/36 لهذه البطاريات.

3.3 مجموعة التجهيزات الموردة

المجلخة الزاوية، المقبض الجانبي، غطاء الحماية القياسي، الحاجب الأمامي، فلانشة الشد، صامولة الشد، مفتاح الشد، فلتر الغبار، دليل الاستعمال.
تجد المزيد من منتجات النظام المسموع بها لمنتجك لدى متجر **Hilti Store** أو على موقع الإنترنت: www.hilti.group

ATC 4.3

الجهاز مزود بخاصية الإيقاف الإلكتروني السريع (ATC (Active Torque Control). في حالة إعاقة أداة الشغل أو انحصارها، فإن الجهاز يدور فجأة بشكل غير محكوم في الاتجاه المعاكس. وتتعرف وظيفة ATC على هذه الحركة المفاجئة للدوران بالجهاز وتوقف الجهاز على الفور.



يجب ألا يكون هناك عائق أمام دوران الجهاز حتى يعمل بشكل سليم.
بعد الإيقاف السريع، قم بإيقاف الجهاز ثم أعد تشغيله.



5.3 خاصية حماية الجهاز المرتبطة بدرجة الحرارة

تراقب خاصية حماية موتور المرتبطة بدرجة الحرارة دخل التيار الكهربائي وكذلك سخونة الموتور وبذلك تسمى الجهاز من السخونة المفرطة.
تؤدي زيادة الحمل على الموتور بفعل الضغط الشديد لضعف قدرة الجهاز بشكل ملحوظ وقد يصل الأمر لتوقف الجهاز تماما.
في حالة توقف الجهاز أو انخفاض عدد اللفات نظرا للحميل الزائد، فيجب عليك تخلص الجهاز من التحميل الزائد وتشغيله لمدة 30 ثانية تقريبا على الفارغ.

6.3 الغطاء الواقي مع حاجب أمامي 2

لغرض التجلخ الخشن باستخدام أسطوانات التجلخ الخشن المستقيمة والقطع السحجي باستخدام أسطوانات القطع السحجي عند التعامل مع الغامات المعدنية يجب استخدام غطاء الحماية القياسي مع الحاجب الأمامي.

7.3 واقية الغبار (القطع) C "DC-EX 125/5" مدمع (ملحق تكميلي) 3

للقطع السحجي في مواضع الشغل الحجرية باستخدام أسطوانات القطع السحجي الماسية يجب استخدام الغطاء المدمع C "DC-EX 125/5".
يُحظر التعامل مع المعادن في ظل استخدام هذا الغطاء.

8.3 واقية الغبار (التشقيب) DC-EX 125/5" M (ملحق تكميلي) 4

لا يجوز إجراء أعمال التجلخ السحجي والتشقيب بمواضع الشغل المعدنية مع أسطوانات القطع السحجي الماسية إلا باستخدام واقية من غبار.
احترس يُحظر التعامل مع المعادن في ظل استخدام هذا الغطاء.

9.3 واقية الغبار (التجلخ) "DG-EX 125/5" (ملحق) 5

نظام التجلخ ملائم بشكل محدود فقط لتجلخ الأسطح الحجرية من حين لآخر باستخدام أقذاح التجلخ الماسية.
يُحظر التعامل مع المعادن في ظل استخدام هذا الغطاء.

10.3 بيان حالة الشحن بطارية أيونات الليثيوم

يتم عرض حالة شحن بطارية أيونات الليثيوم بعد النقر على أحد زرّي تحرير البطارية.

الحالة	الاستعمال
تضيء أربع لمبات LED.	حالة الشحن: 75% إلى 100%
تضيء ثلاث لمبات LED.	حالة الشحن: 50% إلى 75%
تضيء اثنتان من لمبات LED.	حالة الشحن: 25% إلى 50%
لمبة LED واحدة تضيء.	حالة الشحن: 10% إلى 25%
لمبة LED واحدة تومض.	حالة الشحن: > 10%

أثناء العمل وبعده مباشرة لا يمكن الاستعلام عن حالة الشحن. في حالة وميض لمبات LED الخاصة ببيان حالة شحن البطارية يرجى مراعاة الإرشادات الواردة في المساعدة في حالات الاختلالات.



4 خامات الشغل

يتعين الاقتصار على استخدام الأسطوانات المقواة بالألياف والمرتبطة بالراتنج الصناعي بقطر 125 مم على الأكثر ومسموع بها لعدد لفات لا يقل عن 11000 لفة/دقيقة وسرعة محيطية 80 م/ث.
يمكن أن يصل سمك الأسطوانة في حالة أسطوانات التجلخ الخشن إلى 6,4 مم كحد أقصى وفي حالة أسطوانات القطع السحجي بحد أقصى 3,0 مم.



تنبيه! احرص دائما على استخدام غطاء الحماية القياسي المزود بحاجب أمامي أو غطاء واقى مغلق تماما عند القطع والتشقيب باستخدام أسطوانات القطع السحجي.

الأسطوانات

الطرز	الاستخدام	العلامات المختصرة	موضع الشغل
أسطوانة القطع السحجي الكاشطة	القطع السحجي، التشقيب	AC-D	معدي
أسطوانة القطع السحجي الماسية	القطع السحجي، التشقيب	DC-TP, DC-D (SPX, SP, P)	حجري
أسطوانة التجليغ الفشن الكاشطة	التجليغ الفشن	AG-D, AF-D, AN-D	معدي
أسطوانة التجليغ الفشن الماسية	التجليغ الفشن	DG-CW (SPX, SP, P)	حجري
فرشاة سلكية	الفرشات السلكية	3CS, 4CS, 3SS, 4SS	معدي
طربوش الثقب الماسي	ثقب البلاط	DD-M14	حجري
أسطوانة ليفية	التجليغ الفشن	AP-D	معدي

توزيع الأسطوانات على المعدة المراد استخدامها

المو ضع	المعدة	AC-D	AG-D, AF-D, AN-D	DG-CW ,SP ,SPX) (P)	DC-TP, DC-D ,SP ,SPX) (P)	AP-D	3CS ,3SS ,4CS ,4SS DD-M14
A	غطاء، واقى	X	X	X	X	X	X
B	حاجب أمامي (بالارتباط مع A)	X	—	—	X	—	—
C	واقية الغبار (التجليغ) DG-EX 1255"	—	—	X	—	—	—
D	واقية الغبار (القطع) DC-EX 1255"C (بالارتباط مع A)	—	—	—	X	—	—
E	واقية الغبار (التشقيب) DC-EX 125/5"M	—	—	—	X	—	—
F	المهايئ SL (بالارتباط مع E)	—	—	—	X	—	—
G	مقبض جانبي	X	X	X	X	X	X
H	صامولة الشد	X	X	X	X	—	—
I	فلانشة شد	X	X	X	X	—	—
J	Kwik lock (اختياري) للطرز H)	X	X	—	X	—	—
K	صامولة شد للأسطوانة الليفية	—	—	—	—	X	—
L	وسادة دعم	—	—	—	—	X	—

5 المواصفات الفنية

AG 4S-A22-125	
21.6 فلت	الجهد الكهربائي الاسمي
8,500 لفة/دقيقة	عدد اللفات الاسمي
125 مم	أقصى قطر للأسطوانة
3.1 كجم	الوزن طبقا لبروتوكول EPTA 01



AG 4S-A22-125	
M14	قلاووظ بريمة الإدارة
22 مم	طول البريمة
17-° 60 ... °	درجة الحرارة المحيطة أثناء التشغيل
20-° 70 ... °	درجة حرارة التخزين

1.5 المواصفات الفنية

22 مم	طول البريمة
17-° 60 ... °	درجة الحرارة المحيطة أثناء التشغيل
20-° 70 ... °	درجة حرارة التخزين

2.5 البطارية

21.6 فلت	جهد تشغيل البطارية
17-° 60 ... °	درجة الحرارة المحيطة أثناء التشغيل
20-° 40 ... °	درجة حرارة التخزين
10-° 45 ... °	درجة حرارة البطارية عند بدء الشحن

3.5 قيم الضوضاء والاهتزاز طبقا للمواصفة EN 60745

تم قياس ضغط الصوت وقيم الاهتزاز الواردة في هذا الدليل طبقا لأحد معايير القياس المحددة ويمكن الاستعانة بها في إجراء مقارنة بين الأدوات الكهربائية مع بعضها البعض. وهي مناسبة أيضا لتقدير حجم المخاطر بصورة أولية.

المواصفات الواردة تتعلق بالاستخدامات الأساسية للأداة الكهربائية. أما إذا تم استخدام الأداة الكهربائية في تطبيقات أخرى مع أدوات شغل مخالفة للمواصفات أو دون صيانة كافية، ففي هذه الحالة قد تختلف المواصفات. وقد يزيد هذا من نسبة المخاطر طوال مدة العمل بصورة واضحة.

وللمصول على تقدير دقيق لحجم المخاطر ينبغي أيضا مراعاة الأوقات التي يتم فيها إيقاف الجهاز أو التي يتم فيها تشغيل الجهاز ولكن دون استخدام حقيقي. وقد يقلل هذا من نسبة المخاطر طوال مدة العمل بصورة واضحة. احرص على اتخاذ إجراءات إضافية للسلامة من شأنها حماية المستخدم من تأثير الضجيج و/أو الاهتزازات مثل: صيانة الأداة الكهربائية وأدوات الشغل والمفاظ على الأيدي في حالة دافئة وتنظيم مراحل العمل.

AG 4S-A22-125

معلومات الضجيج

81.5 ديسيبل (A)	مستوى ضغط الصوت المنبعث (L_{pA})
3 ديسيبل (A)	نسبة التفاوت لمستوى ضغط الصوت (K_{pA})
92.5 ديسيبل (A)	مستوى شدة الصوت (L_{WA})
3 ديسيبل (A)	نسبة التفاوت لمستوى شدة الصوت (K_{WA})

معلومات الاهتزاز

تطبيقات أخرى، مثل القطع قد تؤدي إلى قيم اهتزاز مغايرة.

4.7 م/ثانية ²	تجليغ الأسطح مع استخدام مقبض مخفض للاهتزاز ($a_{h,AG}$)
5.3 م/ثانية ²	التجليغ بألواح السفررة الورقية مع استخدام مقبض مخفض للاهتزاز ($a_{h,DS}$)
1.5 م/ثانية ²	نسبة التفاوت (K)

6 التشغيل

1.6 شحن البطارية

1. قبل الشحن، قم بقراءة دليل استعمال جهاز الشحن.
2. احرص على أن تكون أطراف تلامس البطارية وجهاز الشحن نظيفة وجافة.
3. قم بشحن البطارية باستخدام شاحن مصرع به.



2.6 تركيب البطارية

⚠️ احترس:

خطر الإصابة من خلال قفلة كهربائية أو سقوط البطارية!

- تأكد قبل تركيب البطاريات في الجهاز من عدم وجود أجسام غريبة بين أطراف توصيل البطارية والجهاز.
- تأكد من تثبيت البطارية بشكل صحيح دائما.

1. اشحن البطارية لآخرها تماما قبل التشغيل لأول مرة.
2. قم بتركيب البطارية في حامل الجهاز إلى أن تثبت بصوت مسموع.
3. تفحص البطارية من حيث ثباتها في موضعها بشكل جيد.

3.6 خلع البطارية

1. اضغط على أزرار تحرير البطارية.
2. اسحب البطارية من حامل الجهاز.

4.6 تركيب المقبض الجانبي

- قم بربط المقبض الجانبي بإحدى الجلب الملولبة المخصصة لذلك.

5.6 تركيب أو فك الغطاء الواقي

⚠️ احترس:

خطر الإصابة. تكون أداة الشغل ساخنة وحادة الحواف.

- احرص عند القيام بالتركيب والفك وأعمال الضبط وإصلاح الاختلالات على ارتداء قفازا واقيا.

- يُراعى دليل تركيب الغطاء الواقي المعني.

1.5.6 قم بتركيب غطاء الحماية القياسي

- يشتمل الغطاء الواقي على طرف مشفر يضمن تركيب الغطاء الواقي الملائم للجهاز. حيث ينساب الغطاء الواقي بطرفه المشفر في موضع تركيب الغطاء بالجهاز.

1. قم بتركيب غطاء الحماية على رقبة البريمة بحيث تتقابل علامتي المثلث في كل من غطاء الحماية والجهاز.
 2. اضغط غطاء الحماية على عنق البريمة.
 3. اضغط زر تحرير الغطاء وأدر غطاء الحماية إلى الوضع المرغوب إلى أن يستقر في موضعه.
- ⇨ يرتد زر تحرير الغطاء.

2.5.6 قم بتعديل ضبط غطاء الحماية القياسي

- اضغط زر تحرير الغطاء وأدر غطاء الحماية إلى الوضع المرغوب إلى أن يستقر في موضعه.

3.5.6 فك غطاء الحماية القياسي

1. اضغط زر تحرير الغطاء وأدر الغطاء إلى أن تتقابل علامتي المثلث في كل من الغطاء الواقي والجهاز.
2. اخلع الغطاء الواقي.

6.6 تركيب أو فك الحاجب الأمامي

- عند العمل باستخدام الحاجب الأمامي، يتم وضعه على الغطاء الواقي.

1. قم بتركيب الحاجب الأمامي بينما الجانب المغلق على غطاء الحماية القياسي إلى أن يثبت القفل.
2. للفك افتح قفل الحاجب الأمامي واخلعه من غطاء الحماية القياسي.



تحذير

خطر الإصابة. في حالة كبح موتور الجهاز قد تنفك أداة الشغل.

- ◀ انتظر إلى أن تتوقف أداة الشغل تماما، قبل أن تمسك بأداة الشغل أو صامولة التثبيت.
- ◀ أحكم ربط أداة الشغل وفلاشة الشد باستخدام صامولة التثبيت بحيث لا تنفك أجزاء من البريمة عند كبح موتور الجهاز.

احترس:

خطر الإصابة. أداة الشغل قد تكون ساخنة.

- ◀ ارتد قفازات واقية عند تغيير أداة الشغل.

i يجب تغيير الأسطوانات الماسية بمجرد تراجع قدرة القطع أو التجليخ بشكل واضح. وبشكل عام يكون الوضع كذلك، عندما يكون ارتفاع قطاعات الألماس أقل من 2 مم.

يجب تغيير أنواع الأسطوانات الأخرى بمجرد تراجع قدرة القطع بشكل واضح أو ملامسة أجزاء المجلخة الزاوية (ما عدا الأسطوانة) أثناء العمل مع خامة الشغل.

يجب تغيير أسطوانات السمج بمجرد حلول تاريخ انتهاء الصلاحية.

1.7.6 تركيب أداة الشغل

1. اخلع البطارية. – صفحة 213
2. تأكد من وجود حلقة إحكام في فلاشة الشد وأنها في حالة سليمة.

النتيجة

- ◀ حلقة إحكام بها أضرار
- ◀ لا توجد حلقة إحكام في فلاشة الشد.
- ◀ قم بتركيب فلاشة شد جديدة بها حلقة تثبيت.
- 3. أحكم ربط فلاشة الشد على البريمة.
- 4. قم بتركيب أداة الشغل.
- 5. أحكم ربط صامولة الشد وفقًا لأداة الشغل المركبة.
- 6. اضغط على زر تثبيت البريمة واحتفظ به مضغوطا.
- 7. أحكم ربط صامولة الشد باستخدام مفتاح الشد ثم اترك زر تثبيت البريمة واخلع مفتاح الشد.

2.7.6 تفكيك أداة الشغل

1. اخلع البطارية. – صفحة 213

احترس:

خطر الانكسار والتحطم. في حالة الضغط على زر تثبيت البريمة أثناء دوران البريمة فقد تنفك أداة الشغل.

- ◀ لا تضغط زر تثبيت البريمة إلا عندما تكون البريمة ثابتة.
- 2. اضغط على زر تثبيت البريمة واحتفظ به مضغوطا.
- 3. قم بحل صامولة الشد من خلال تركيب مفتاح الشد عليها وإدارته عكس اتجاه عقارب الساعة.
- 4. اترك زر تثبيت البريمة وقم بإخراج أداة الشغل.

3.7.6 تركيب أداة الشغل باستخدام صامولة التثبيت السريع Kwik lock
احترس:

- ◀ **خطر الانكسار.** قد تتعرض صامولة التثبيت السريع **Kwik lock** للانكسار نتيجة لدرجة التآكل العالية.
- ◀ احرص على عدم ملامسة صامولة الربط السريع **Kwik lock** لموضع الشغل أثناء العمل.
- ◀ لا تستخدم صواميل التثبيت السريع **Kwik lock** التالفة.

i يمكن استخدام صامولة التثبيت السريع **Kwik lock** بشكل اختياري بدلا من صامولة الشد. وبذلك يمكن تغيير أدوات الشغل بدون عدة إضافية.

1. اخلع البطارية. – صفحة 213



2. تأكد من وجود حلقة إحكام في فلانشة الشد وأنها في حالة سليمة.

النتيجة

حلقة إحكام بها أضرار.

لا توجد حلقة إحكام في فلانشة الشد.

← قم بتركيب فلانشة شد جديدة بها حلقة تثبيت.

3. قم بتنظيف فلانشة الشد وصامولة التثبيت السريع.

4. ركب فلانشة الشد على البريمة.

5. قم بتركيب أداة الشغل.

6. اربط صامولة التثبيت السريع **Kwik lock** حتى تستقر على أداة الشغل.

⇒ كلمة **Kwik lock** تكون ظاهرة عندما تكون الصامولة مبربوطة.

7. اضغط على زر تثبيت البريمة واحتفظ به مضغوطة.

8. استمر في إدارة أداة الشغل يدويا بقوة في اتجاه حركة عقارب الساعة، إلى أن يتم إحكام ربط صامولة

التثبيت السريع **Kwik lock** ثم اترك زر تثبيت البريمة.

4.7.6 فك أداة الشغل مع صامولة التثبيت السريع **Kwik lock**

1. اخلع البطارية. ← صفحة 213

⚠ احترس:

خطر الانكسار والتحطم. في حالة الضغط على زر تثبيت البريمة أثناء دوران البريمة فقد تنفك أداة الشغل.

← لا تضغط زر تثبيت البريمة إلا عندما تكون البريمة ثابتة.

2. اضغط على زر تثبيت البريمة واحتفظ به مضغوطة.

3. قم بحل صامولة التثبيت السريع **Kwik lock** من خلال إدارة صامولة التثبيت السريع يدويا عكس اتجاه عقارب الساعة.

4. إذا تعذر حل صامولة التثبيت السريع **Kwik lock** يدويا قم بتركيب مفتاح شد على صامولة التثبيت السريع وأدره عكس اتجاه عقارب الساعة.

ولا تستخدم زردية أبدا لكي لا تتعرض صامولة التثبيت السريع **Kwik lock** للضرر.



5. اترك زر تثبيت البريمة وقم بإخراج أداة الشغل.

5.7.6 تركيب طربوش الثقب 10

1. اخلع البطارية. ← صفحة 213

2. قم بتركيب المقبض الجانبي. ← صفحة 213

3. قم بتركيب غطاء الحماية القياسي.

4. قم بتركيب طربوش الثقب وأحكم ربطه يدويا.

5. اضغط على زر تثبيت البريمة واحتفظ به مضغوطة.

6. أحكم ربط طربوش الثقب بعد ذلك بمفتاح هلالى آخر مناسب.

7. قم بعد ذلك بتمرير زر تثبيت البريمة ثم اخلع المفتاح الهلالى.

6.7.6 تركيب الفرشاة السلكية 11

1. اخلع البطارية. ← صفحة 213

2. قم بتركيب المقبض الجانبي. ← صفحة 213

3. قم بتركيب غطاء الحماية القياسي.

4. قم بتركيب الفرشاة السلكية وأحكم ربطها يدويا.

5. اضغط على زر تثبيت البريمة واحتفظ به مضغوطة.

6. أحكم ربط الفرشاة السلكية بعد ذلك بمفتاح هلالى مناسب.

7. قم بعد ذلك بتمرير زر تثبيت البريمة ثم اخلع المفتاح الهلالى.

7.7.6 تركيب الأسطوانة الليفية 12

1. اخلع البطارية. ← صفحة 213

2. قم بتركيب المقبض الجانبي. ← صفحة 213

3. قم بتركيب غطاء الحماية القياسي.

4. قم بتركيب وسادة الدعم والأسطوانة الليفية ثم أحكم ربط صامولة الشد.



5. اضغط على زر تثبيت البريمة واحتفظ به مضغوطاً.
6. أحكم ربط صامولة الشد باستخدام مفتاح الشد.
7. قم بعد ذلك بتمرير زر تثبيت البريمة ثم اخلع مفتاح الشد.

7 الاستعمال

1.7 التشغيل

1. اضغط على الجزء الخلفي من مفتاح التشغيل/الإيقاف.
2. حرك مفتاح التشغيل/الإيقاف إلى الأمام.
⇨ يدور المحرك.
3. تَبَّت مفتاح التشغيل/الإيقاف.

2.7 التجليخ

⚠️ احترس:

خطر الإصابة. قد تتعرض أداة الشغل للإعاقة أو التعثر فجأة.
◀ استخدم الجهاز دائماً بواسطة المقبض الجانبي وأمسك الجهاز بكلتا اليدين.

3.7 القطع السحجي

◀ عند القطع السحجي اعمل بدفع معتدل وتجنب وضع الجهاز أو أسطوانة القطع السحجي بشكل منحرف (وضع العمل يكون حوالي 90° بالنسبة لمستوى القطع).

i من الأفضل قطع القطاعات والمواسير المستطيلة بحيث يتم ضبط أسطوانة القطع السحجي على أدنى مقطع عرضي.

4.7 التجليخ الخشن

⚠️ احترس:

خطر الإصابة. قد يتحطم قرص القطع السحجي وتتسبب الأجزاء المندفعة في حدوث إصابات.
◀ لا تستخدم أبداً أسطوانات القطع السحجي للقيام بالتجليخ الخشن.

◀ حرك الجهاز مع زاوية تثبيت تتراوح بين 5° إلى 30° وضغط متوازن جيئةً وذهاباً.
⇨ لا تصعب قطعة الشغل ساخنة ولا يتغير لونها ولا يظهر بها حروز.

5.7 الإيقاف

◀ اضغط على الجزء الخلفي من مفتاح التشغيل/الإيقاف.
⇨ ينتقل مفتاح التشغيل/الإيقاف إلى وضع الإيقاف ويتوقف المحرك.

8 العناية والصيانة

⚠️ تحذير

خطر الإصابة عند تكون البطارية مركبة !
◀ احرص على خلع البطارية دائماً قبل جميع أعمال الإصلاح والعناية!

العناية بالجهاز

- قم بإزالة الاتساخ الملتصق برصص.
- اخلع فلتر الغبار و قم بتنظيفه مع فتحات التهوية برصص باستخدام فرشاة جافة.
- نظف جسم الجهاز باستخدام قطعة قماش مبللة بعض الشيء. لا تستخدم مواد عناية تحتوي على السيليكون لما قد تتسبب فيه من الإضرار بالأجزاء البلاستيكية.

العناية ببطاريات أيونات الليثيوم

- حافظ على البطارية نظيفة وخالية من الزيت والشحم.



- نظف جسم الجهاز باستخدام قطعة قماش مبللة بعض الشيء. لا تستخدم مواد عناية تحتوي على السيليكون لما قد تتسبب فيه من الإضرار بالأجزاء البلاستيكية.
- تجنب تسرب الرطوبة إليها.

الصيانة

- افحص جميع الأجزاء المرئية من حيث وجود أضرار وافحص عناصر الاستعمال من حيث كفاءتها الوظيفية.
- في حالة وجود أضرار و/أو اختلالات وظيفية لا تقم بتشغيل المنتج. احرص على الفور على إصلاحه لدى مركز خدمة Hilti.
- بعد أعمال العناية والإصلاح قم بتركيب جميع تجهيزات الحماية وافحصها من حيث الأداء الوظيفي.

i للتشغيل الآمن اقتصر على استخدام قطع الغيار الأصلية وخامات الشغل. تجد قطع الغيار وخامات الشغل والملحقات المصرح بها من قبلنا للمنتج الخاص بك في متجر Hilti Store أو على موقع الإنترنت: www.hilti.group

9 نقل وتخزين الأجهزة العاملة بالبطاريات

النقل

⚠ احترس:

التشغيل غير مقصود عند النقل !

◀ قم بنقل المنتج دائما بدون البطاريات!

- ◀ اخلع البطاريات.
- ◀ تجنب نقل البطاريات في كميات سائبة.
- ◀ بعد النقل لمسافة طويلة أو التخزين افحص الجهاز والبطاريات قبل الاستخدام من حيث وجود أضرار.

التخزين

⚠ احترس:

أضرار غير مقصودة بسبب البطاريات التالفة أو التي بها تسريب !

◀ قم بتخزين المنتج دائما بدون البطاريات!

- ◀ يجب تخزين الجهاز والبطاريات في مكان جاف وبارد قدر الإمكان.
- ◀ تجنب تخزين البطاريات تحت أشعة الشمس أو على أجهزة التدفئة أو خلف النوافذ الزجاجية.
- ◀ احرص على تخزين الجهاز والبطاريات في مكان يصعب على الأطفال وغير المؤهلين لاستخدامه الوصول إليه.
- ◀ بعد النقل لمسافة طويلة أو التخزين افحص الجهاز والبطاريات قبل الاستخدام من حيث وجود أضرار.

10 المساعدة في حالات الاختلالات

عند حدوث اختلالات غير مذكورة في الجدول أو يتعذر عليك معالجتها بنفسك، فيرجى التوجه إلى مركز خدمة Hilti.

1.10 تقصي الأخطاء

الخلل	السبب المحتمل	الحل
شحنة البطارية تفرغ بشكل أسرع من المعتاد.	درجة حرارة محيطية شديدة الانخفاض.	◀ اترك البطارية تسخن ببطء حتى درجة حرارة الغرفة.
البطارية لا تثبت بصوت طقطقة مسموع.	أطراف تثبيت البطارية متسخة.	◀ قم بتنظيف أطراف التثبيت ثم قم بتركيب البطارية مجددا.
لمبة LED واحدة تومض. الجهاز لا يعمل.	البطارية فارغة الشحنة.	◀ قم بتغيير البطارية واشحن البطارية الفارغة.
جميع لمبات LED الأربع تومض. الجهاز لا يعمل.	البطارية شديدة البرودة أو السخونة.	◀ اترك البطارية تسخن أو تبرد ببطء حتى درجة حرارة الغرفة.
جميع لمبات LED الأربع تومض. الجهاز لا يعمل.	الجهاز محمّل بشكل زائد.	◀ اترك مفتاح التحكم واضغط عليه مجددا. ثم دع الجهاز يدور على الفارغ لمدة 30 ثانية تقريبا.



الخلل	السبب المحتمل	الحل
تنشأ سخونة شديدة بالمجلخة الزاوية أو البطارية.	عطل كهربائي	<ul style="list-style-type: none"> قم بإيقاف الجهاز على الفور، اخلع البطاريات وافحصها جيداً، ثم اتركها تبرد واتصل بمركز خدمة Hilti.
الجهاز لا يعمل بكامل قدرته.	قدرة البطارية المستخدمة ضعيفة للغاية.	<ul style="list-style-type: none"> استخدم بطارية بقدرة كافية.
لا توجد وظيفة كبح بالموتور	البطارية فارغة الشحنة.	<ul style="list-style-type: none"> قم بتغيير البطارية واشحن البطارية الفارغة.
	هناك تحميل زائد على الجهاز لفترة قصيرة.	<ul style="list-style-type: none"> قم بإيقاف الجهاز ثم أعد تشغيله.

11 مواصفة RoHS (مواصفة تقييد استخدام المواد الخطيرة)

تجد جدولاً بالمواد الخطرة تحت الرابط التالي: qr.hilti.com/r9884540.
تجد رابط خاص بجدول المواد التي تخص المواصفة RoHS في نهاية هذا المستند على هيئة كود QR.

12 التكوين

أجهزة Hilti مصنوعة بنسبة كبيرة من مواد قابلة لإعادة التدوير. يشترط لإعادة التدوير أن يتم فصل الغامات بشكل سليم فنياً. في العديد من الدول تقوم شركة Hilti باستغلال الأجهزة القديمة لإعادة تدويرها. وللمعلومات حول ذلك اتصل بخدمة عملاء Hilti أو الموزع القريب منك.

التخلص من البطاريات

قد يُشكل التخلص من البطاريات بطريقة غير مطابقة للتعليمات خطراً على الصحة، وذلك من خلال تسرب الغازات أو السوائل.

- لا تقم بإرسال أو توريد بطاريات تالفة!
- قم بتغطية التوصيلات باستخدام مادة غير موصلة للكهرباء وذلك لتجنب حدوث قفلات كهربائية.
- تخلص من البطاريات بحيث لا تصل إلى متناول الأطفال.
- تخلص من البطارية لدى متجر Hilti Store أو توجه إلى مركز التخلص من النفايات المختص.

لا تعلق الأدوات الكهربائية، الأجهزة الإلكترونية والبطاريات ضمن القمامة المنزلية!



13 ضمان الجبة الصانعة

في حالة وجود أية استفسارات بخصوص شروط الضمان، يرجى التوجه إلى وكيل Hilti المحلي الذي تتعامل معه.





Hilti Aktiengesellschaft
Feldkircherstraße 100
9494 Schaan | Liechtenstein

AG 4S-A22-125 (01)

[2018]

2006/42/EC

2014/30/EU

2011/65/EU

EN 60745-1

EN 60745-2-3

Schaan, 12/2018

A handwritten signature in black ink, appearing to read "Paolo Luccini".

Paolo Luccini

Head of BA Quality and
Process-Management

BA Electric Tools & Accessories

A handwritten signature in black ink, appearing to read "Tassilo Deinzer".

Tassilo Deinzer

Executive Vice President

Business Unit Power Tool &
Accessories





Hilti Corporation
LI-9494 Schaan
Tel.:+423 234 21 11
Fax:+423 234 29 65
www.hilti.group



2164701



Hilti Connect



2233926