

## Heavy-duty pipe ring metric HDG MP-MXI-F



### Applications

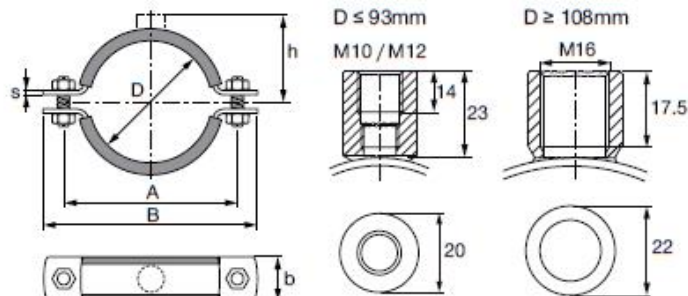
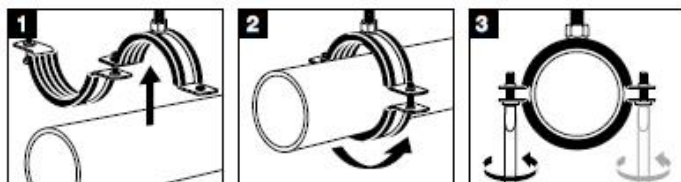
- Heavy duty installation up to 508 mm
- Outside: less corrosive atmosphere (rural atmosphere)
- Industrial pipe fitting

### Advantages

- Solid connection boss, welded all round
- Strong clamping bolts for high loads
- Non-slip, pre-fitted profiled rubber inlay

### Technical data

Material composition	DD11 - DIN EN 10111
Surface finish	Hot-dip galvanized, 45 µm - DIN EN ISO 1461
Temperature resistance	-50 - 120 °C
Hardness Insulation Material	50° ±5° Shore A
Noise reduction	16 dB (A)
Insulation material	EPDM rubber



Order Designation	Clamping Range - D	Nominal pipe size (imperial)	Width - B	Maximum load - F	Distance between holes - A	Sales pack quantity	Item number
MP-MXI-F 2" M10/M12	60 - 65 mm	2 in	142 mm	2400 N	110 mm	25 pc	374897
MP-MXI-F 2 1/2" M10/M12	73 - 78 mm	2-1/2 in	156 mm	2400 N	124 mm	25 pc	374898
MP-MXI-F 3" M10/M12	88 - 93 mm	3 in	172 mm	2400 N	140 mm	25 pc	374899
MP-MXI-F 4" M16	108 - 116 mm	4 in	210 mm	3100 N	172 mm	25 pc	374900
MP-MXI-F 125 M16	122 - 126 mm		221 mm	3100 N	183 mm	25 pc	374901
MP-MXI-F 133 M16	131 - 137 mm		231 mm	3100 N	193 mm	10 pc	374902
MP-MXI-F 5" M16	139 - 144 mm	5 in	238 mm	3100 N	200 mm	10 pc	374903
MP-MXI-F 159 M16	159 - 166 mm		261 mm	3100 N	223 mm	10 pc	374904
MP-MXI-F 6" M16	163 - 170 mm	6 in	265 mm	7500 N	234 mm	10 pc	374905
MP-MXI-F 177.8 M16	177 - 182 mm		284 mm	7500 N	246 mm	10 pc	374906
MP-MXI-F 193.7 M16	192 - 200 mm		303 mm	7500 N	264 mm	10 pc	374907
MP-MXI-F 210 M16	210 - 218 mm		321 mm	7500 N	283 mm	10 pc	374908
MP-MXI-F 219 M16	219 - 228 mm		330 mm	7500 N	292 mm	10 pc	374909
MP-MXI-F 244.5 M16	244 - 253 mm		355 mm	7500 N	317 mm	10 pc	374910
MP-MXI-F 267/274 M16	267 - 274 mm		375 mm	7500 N	334 mm	10 pc	374911
MP-MXI-F 275 M16	275 - 282 mm		384 mm	7500 N	346 mm	10 pc	374912
MP-MXI-F 324 M16	315 - 324 mm		441 mm	11000 N	391 mm	1 pc	374913
MP-MXI-F 326 M16	325 - 330 mm		445 mm	11000 N	394 mm	1 pc	374914
MP-MXI-F 355 M16	348 - 356 mm		471 mm	11000 N	421 mm	1 pc	374915
MP-MXI-F 368 M16	364 - 372 mm		488 mm	11000 N	397 mm	1 pc	374916
MP-MXI-F 406 M16	400 - 409 mm		525 mm	11000 N	474 mm	1 pc	374917

Order Designation	Clamping Range - D	Nominal pipe size (imperial)	Width - B	Maximum load - F	Distance between holes - A	Sales pack quantity	Item number
MP-MXI-F 457 M16	454 - 462 mm		586 mm	17000 N	530 mm	1 pc	374918
MP-MXI-F 508 M16	500 - 508 mm		632 mm	17000 N	577 mm	1 pc	374919

Clamping Range - D	Cross section width and thickness (b x s)	Connection thread	Clamping screw	Tightening torque	Maximum load - F	Maximum load in case of fire F			
						30 min	60 min	90 min	120 min
60 - 93 mm	30 x 3 mm	M10, M12	M10	5 Nm	2400 N	1700 N	1100 N	850 N	700 N
108 - 166 mm	40 x 4 mm	M16	M12	10 Nm	3100 N	1700 N	1100 N	850 N	700 N
163 - 282 mm	40 x 4 mm	M16	M16	20 Nm	7500 N	3000 N	2000 N	1600 N	1350 N
315 - 409 mm	50 x 5 mm	M16	M16	20 Nm	11000 N	3000 N	2000 N	1600 N	1350 N
454 - 508 mm	70 x 6 mm	M16	M16	20 Nm	17000 N	3000 N	2000 N	1600 N	1350 N

The maximal recommended load is determined using statistical methods on the breaking loads and considering a maximal permitted deflection of 1.5 mm or 2 % of the maximal clamping diameter. These products were awarded the pipe support quality mark and are subject to the third party monitoring according RAL-GZ 655.

Pipe rings fire-resistance-tested by IBMB.

## Heavy-duty pipe ring imperial HDG MP-MXI-F

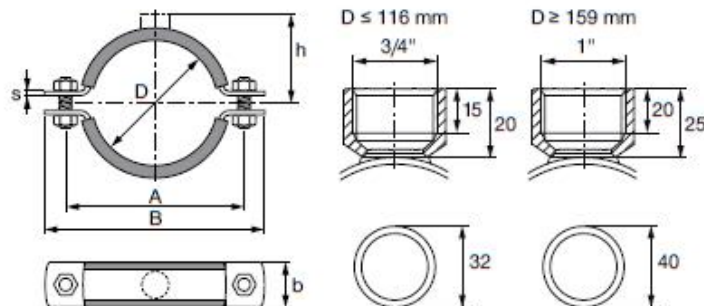
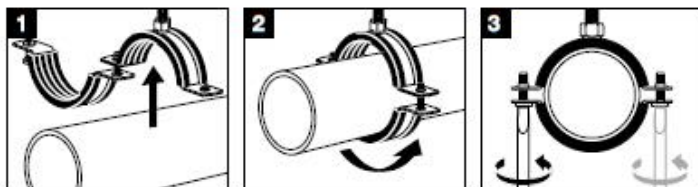


### Applications

- Heavy duty installation up to 508 mm
- Outdoors: mildly corrosive atmosphere (rural atmosphere)
- Industrial pipe fitting

### Advantages

- Solid connection boss, welded all round
- Strong clamping bolts for high loads
- Non-slip, pre-fitted profiled rubber inlay



### Clamping Range - D

The maximal recommended load is determined using statistical methods on the breaking loads and considering a maximal permitted deflection of 1.5 mm or 2 % of the maximal clamping diameter. These products were awarded the pipe support quality mark and are subject to the third party monitoring according RAL-GZ 655.

Pipe rings fire-resistance-tested by IBMB.