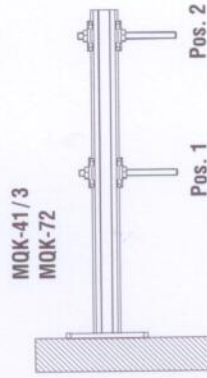
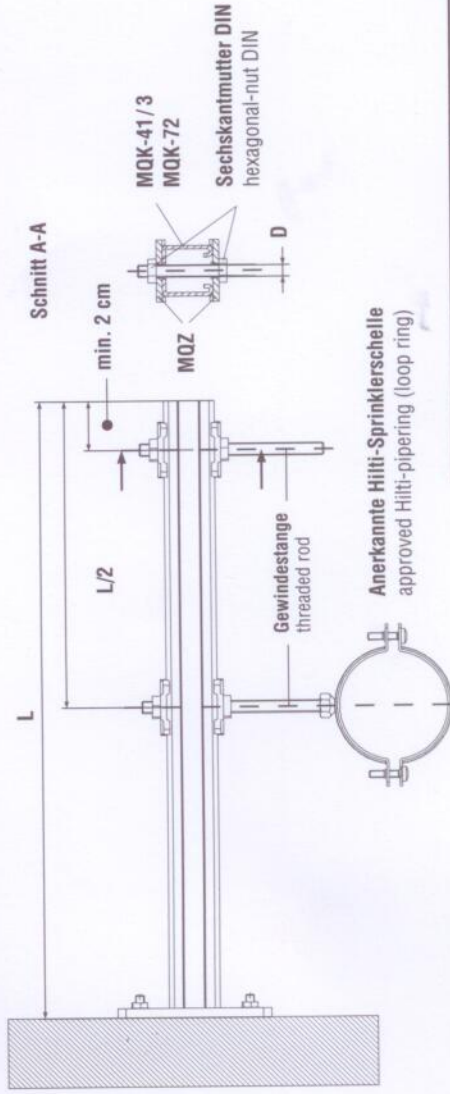


VdS Montageanleitung VdS Installation instruction



Konternutter counternut	M _{dmax} [Nm]
M8	10
M10	20
M12	30

Gesamtlänge L [mm] length L [mm]	
MQK-41/3 / 300	300
MQK-41/3 / 450	450
MQK-72 / 450	450
MQK-41/3 / 600	600
MQK-72 / 600	600

Rohr-Ø DN pipe size DN	Gewindestange threaded rod	MQK-41/3	MQK-72
≤ 50 (≤ 2")	M8 (VdS)	300 P1 bzw. P2 P1 or P2	450 600 P1 bzw. P2 P1 or P2 P1 bzw. P2 P1 or P2
≤ 100 (≤ 4")	M10 (VdS)	P1 P1	P1 bzw. P2 P1 or P2
≤ 150 (≤ 6")	M12 (VdS)	P1 P1	P1 P1